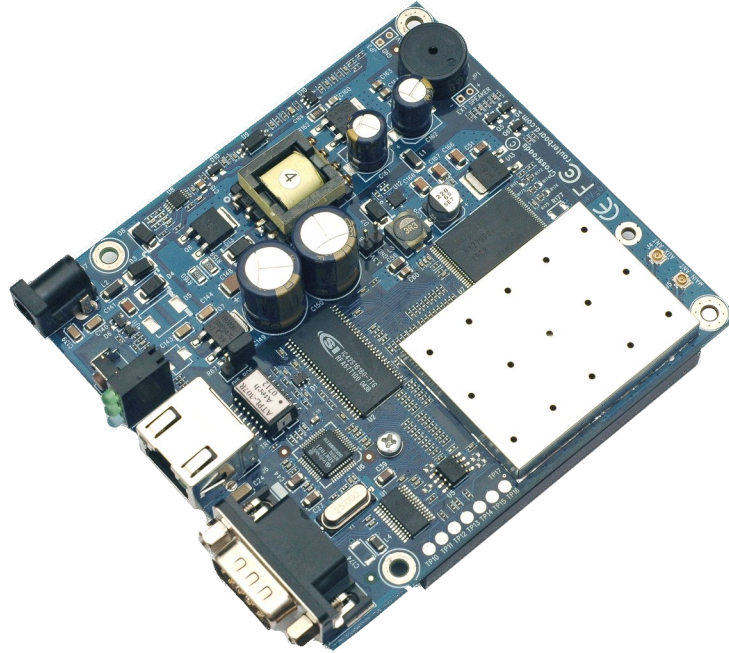


RouterBOARD Crossroads

User's Manual

Rev. B (2-Aug-2007)



Copyright

Copyright © 2003-2007 MikroTiks SIA. This manual contains information protected by copyright law. No part of it may be reproduced or transmitted in any form without prior written permission from the copyright holder.

Trademarks

RouterBOARD, RouterOS, RouterBOOT and MikroTik are trademarks of MikroTiks SIA. All trademarks and registered trademarks appearing in this manual are the property of their respective holders.

Limited Warranty

Hardware. MikroTiks SIA warrants all RouterBOARD Crossroads series equipment for the term of one year from the shipping date to be free of defects in materials and workmanship under normal use and service. All parts will be repaired or replaced with similar or functionally equivalent parts by MikroTiks SIA during the warranty term, except in case the returned parts have mechanical, electrical or other accidental or intended damages caused by improper use or due to wind, rain, fire or other acts of nature.

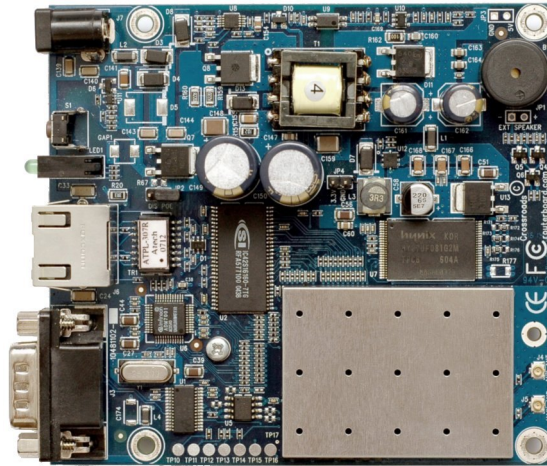
Parts (or systems) must be shipped pre-paid to our facility in Riga, Latvia. All items must have a Return Material Authorization (RMA) which you can get by contacting us via email, telephone or fax. The RMA form must be printed, signed, and enclosed with the shipment, also the RMA number must be written on the package itself. Parts sent without following the proper procedure will be treated as those not to be repaired or replaced due to the above mentioned conditions. Items proved to be free of defects in our lab will be returned to the customer at the customer's expense. Those that do meet the warranty repair requirements will be repaired or replaced, and returned to the customer's location at our expense, extending the warranty term for the time the items are being shipped to and from our facility and replaced or repaired.

Manual. This manual is provided "as is" without a warranty of any kind, expressed or implied, including, but not limited to, the implied warranty of merchantability and fitness for a particular purpose. The manufacturer has made every effort to ensure the accuracy of the contents of this manual, however, it is possible that it may contain technical inaccuracies, typographical or other errors. No liability is assumed for any inaccuracy found in this publication, nor for direct or indirect, incidental, consequential or other damages that may result from such an inaccuracy, including, but not limited to, loss of data or profits. Please report any inaccuracies found to docs@mikrotik.com.

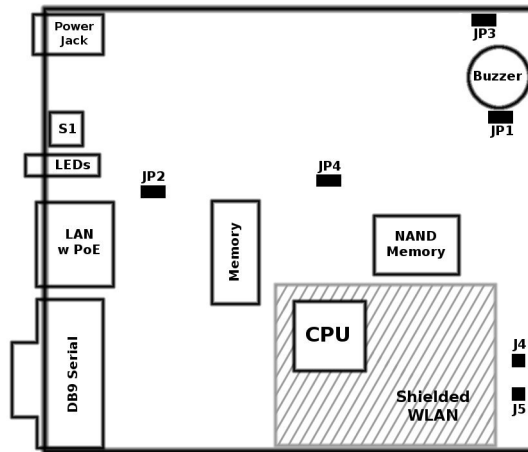
Table of Contents

Copyright	1
Trademarks	1
Limited Warranty	1
System Board View	3
System Board Layout	3
Block Diagram	3
Specifications	4
Hardware Guide	5
Memory and Storage Devices	5
Onboard Memory	5
Onboard NAND Storage Device	5
Input/Output Ports	5
LAN Port with PoE	5
WLAN Interface	5
DB9 Serial Port	5
LEDs	5
Power LED	5
Wireless LEDs	5
User's Guide	5
Assembling the Hardware	5
Powering	6
Booting options	6
Onboard NAND Storage Device	6
Booting from network	6
Operating System Support	6
System Architecture	6
MikroTik RouterOS	7
RouterBOOT	7
Boot Loader Configuration	7
Configurable Options	7
Boot Loader Upgrading	8
Appendix	9
Connector Index	9
Jumper Index	10
Button Index	10
Ethernet Cables	10
Serial Null-modem (Console) Cable with Loopback	10
FCC Notice (FCC ID: TV7-CRD)	11

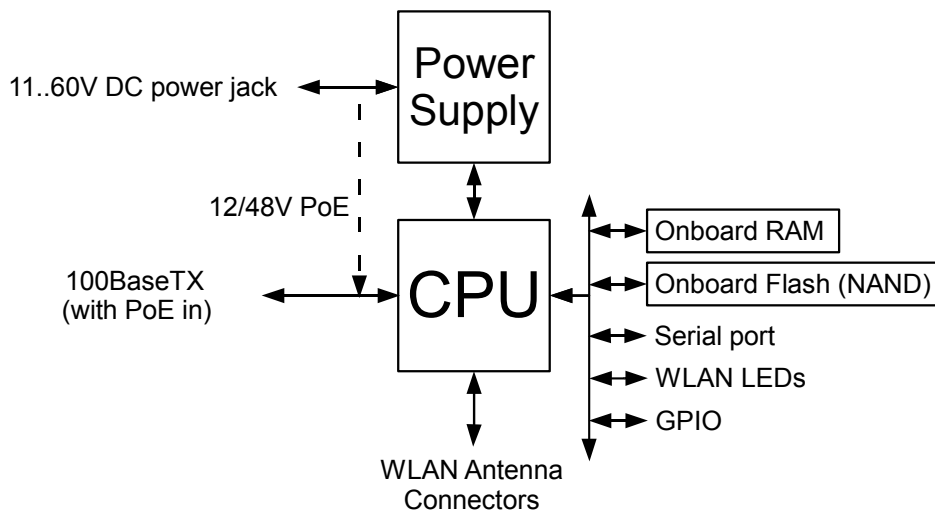
System Board View



System Board Layout



Block Diagram



Specifications

	RouterBOARD Crossroads
CPU	MIPS32 4KEc based 184MHz embedded processor
Memory	32MB SDRAM onboard memory chip
Boot loader	RouterBOOT, 1Mbit Flash chip
Data storage	64MB onboard NAND memory chip
Ethernet	One 10/100 Mbit/s Fast Ethernet port supporting Auto-MDI/X
Wireless standards	IEEE802.11b (1..11Mbit/s, auto-fallback); IEEE802.11g (6..54Mbit/s, auto-fallback, IEEE802.11b compatibility option)
Wireless frequency	2412..2472MHz (5MHz step) and 2484MHz channels; 22MHz bandwidth B or B/G mode; 20MHz (standard), 40MHz (turbo), 5 and 10MHz (reduced) bandwidth in G mode
Output power Receive sensitivity	
Serial port	One DB9 RS232C asynchronous serial port
LEDs	Power, a LED pair for wireless interface
Speaker	Mini PC-Speaker
Power options	IEEE802.3af Power over Ethernet: 12V..48V DC (including power over datalines) Power jack: 11..60V DC
Power output	3V and 5V DC fan power output headers, maximum output current - 500mA total
Dimensions	105mm x 95mm (4.13 in x 3.74 in)
Weight	
Temperature	Operational: -20°C to +70°C (-4°F to 158°F)
Humidity	Operational: up to 70% relative humidity (non-condensing)
Power consumption	typical - 6W, max - 12W

Hardware Guide

Memory and Storage Devices

Onboard Memory

The boards are equipped with one 32MB SDRAM memory chip.

Onboard NAND Storage Device

The boards are equipped with one 64MB NAND nonvolatile memory chip.

Input/Output Ports

LAN Port with PoE

This Fast Ethernet port is compatible with IEEE802.3af Power over Ethernet standard (includes power over datalines) and passive PoE (non-standard). The board accepts non-standard voltage input in wide range: from 11 to 60 V DC. The device has been tested with 802.3af PoE switches (Including Linksys, Rubitech) and also passive PoE switches (see appendix for Ethernet cable specs).

A passive PoE power injector may be used to power the board with up to 100m (330 ft) long Ethernet cable. It is suggested to use 48V DC power for power over long cables because of better efficiency (less power is lost in the cable itself and the power supply is more efficient on higher voltage).

See **Connector Index** for pinout of the standard cable required for PoE. All cables made to EIA/TIA 568A/B cable specifications will work correctly with PoE. Note that this port supports automatic cross/straight cable correction (Auto MDI/X), so you can use either straight or cross-over cable for connecting to other network devices.

WLAN Interface

This onboard IEEE802.11b/g wireless interface provides stable radio connection on the standard 2.4GHz frequency range with 1W maximum output power (limited by regulatory settings). It has two antenna connectors, of which only the main one (**J5**) is used by default, but the auxiliary connector (**J4**) can be configured in the software as well.

DB9 Serial Port

The RS232C standard male DB9 asynchronous serial port may be used for initial configuration, or for attaching a modem or any other RS232 serial device. TxD (pin 3) of this port has -5V DC power when idle. DCD and DSR signals are not connected. This implementation may not be considered to support full hardware flow-control so software flow-control (XON/XOFF) should be used.

LEDs

Power LED

A Blue LED is lit when the board is powered.

Wireless LEDs

A pairs of LEDs are connected to the onboard wireless interface according to standards.

User's Guide

Assembling the Hardware

First use of the board:

- In most cases you do not need to configure jumpers. **JP2** PoE control is disabled by default, you may want to enable it to comply with IEEE802.3af requirements. See Jumper Index for details.
- Install the board in a case.
- Connect other peripherals and cables

You can also order a pre-assembled system with RouterBOARD already installed in a case.

Powering

Power options:

- **J7** power jack:
11..60V DC (**JP2** should be closed)
- IEEE802.3af Power over Ethernet (PoE) on the Ethernet port:
48V DC (**JP2** PoE control should be open to comply with standard requirements)
12V DC non-standard PoE powering support (**JP2** PoE control should be closed)

RouterBOARD Crossroads is equipped with a reliable 10W onboard power supply that accepts a wide range of input voltages. The board has a direct-input power jack **J7** (5.5mm outside and 2mm inside diameter, female, pin positive plug) and can as well be powered with PoE. Both power inputs are always active, but only one should be used at the same time.

Crossroads series boards are compliant with IEEE802.3af Power over Ethernet standard (except power over datalines) and accept 48V powering over up to 100m (330 ft) long Ethernet cable connected to the Ethernet port (**J5** or **J6**). The board also accepts non-standard PoE input voltage.

JP2 should only be opened when high-voltage PoE is used. IEEE802.3af PoE controller is only operational starting from 22-24V DC, so when powering from lower voltage (from either PoE or power jack), make sure the controller is disabled by shorting the **JP2** jumper.

Booting options

First, RouterBOOT loader is started. It displays some useful information on the onboard RS232C asynchronous serial port, which is set to **115200bit/s, 8 data bits, 1 stop bit, no parity** by default. The loader may be configured to boot the system from the onboard NAND module or from Ethernet network. See the respective section of this manual for how to configure booting sequence and other boot loader parameters.

Onboard NAND Storage Device

The RouterBOARD may be started from the onboard NAND storage chip. As there is no partition table on the device, the boot loader assumes the first 4MiB form a YAFFS filesystem, and executes the file called "kernel" stored in the root directory on that partition. It is possible to partition the rest of the medium by patching the kernel source.

Booting from network

Network boot works similarly to PXE or EtherBoot protocol, and allows you to boot a Crossroads series computer from an executable image stored on a TFTP server. It uses BOOTP or DHCP (configurable in boot loader) protocol to get a valid IP address, and TFTP protocol to download an executable (ELF) kernel image combined with the initial RAM disk (inserted as an ELF section) to boot from (the server's IP address and the image name must be sent by the BOOTP/DHCP server).

To boot the RouterBOARD computer from Ethernet network you need the following:

- An ELF kernel image for the loader to boot from (you can embed the kernel parameters and initrd image as ELF sections called *kernparm* and *initrd* respectively)
- A TFTP server which to download the image from
- A BOOTP/DHCP server (may be installed on the same machine as the TFTP server) to give an IP address, TFTP server address and boot image name

See the RouterBOOT section on how to configure loader to boot from network.

Note that you must connect the RouterBOARD you want to boot, and the BOOTP/DHCP and TFTP servers to the same broadcast domain (i.e., there must not be any routers between them).

Operating System Support

System Architecture

Crossroads series embedded boards are fully compatible with the standard MIPS32 architecture with PCI bus.

CPU. Crossroads series has MIPS32 little-endian based embedded processor using MIPS 4KEc CPU core. It is fully binary-compatible with all software developed for MIPS32 little-endian (mipsel) instruction set architecture. The MIPS 4KEc core includes TLB Memory Management Unit and does not include Float Point Unit (so it is optimized for integer operations).

Ethernet. Crossroads has one onboard Ethernet ports controlled by Atheros AR2316 embedded Fast Ethernet controller.

MikroTik RouterOS

MikroTik RouterOS, starting from version 2.9.38 (RouterBOARD 100/500 edition) Crossroads series embedded boards.

RouterBOOT

The RouterBOOT firmware (also referred as "boot loader" here) provides minimal functionality to boot an Operating System. It supports serial console via the onboard serial port at the boot time. The loader supports booting from the onboard NAND device and from a network server (see the respective section for details on this protocol).

Supported OSs:

- MikroTik RouterOS starting with version 2.9.38

Boot Loader Configuration

Loader parameters may be configured through the onboard RS232C DB9 asynchronous serial interface. To connect to it, use a standard null-modem cable. By default, the port is set to 115200bit/s, 8 data bits, 1 stop bit, no parity. **Note** that the device does not fully implement the hardware (RTS/CTS) flow control, so it is suggested to try to disable hardware flow control in the terminal emulation program in case the serial console does not work as expected, and if it does not help, make a new cable using the pinout given in the Appendix.

To enter the loader configuration screen, press any key (or only [Delete] key (or [Backspace] key – see the note for the respective configurable option), depending on the actual configuration) just after the loader is asking for it:

```
RouterBOOT booter 1.5
```

```
RouterBoard Crossroads
```

```
CPU frequency: 184 MHz  
Memory size: 32 MB
```

```
Press any key within 5 seconds to enter setup
```

```
RouterBOOT-1.5
```

```
What do you want to configure?
```

```
 d - boot delay  
 k - boot key  
 s - serial console  
 o - boot device  
 u - cpu mode  
 r - reset configuration  
 g - upgrade firmware  
 i - board info  
 p - boot protocol  
 t - do memory testing  
 x - exit setup
```

```
your choice:
```

To select a menu point, press the key written at the beginning of this line. Pressing [Enter] selects the option marked with '*'.

Configurable Options

boot delay – how much time to wait for a key stroke while booting (1..9 seconds; **2 second** by default).

boot key – which key will cause the loader to enter configuration mode during **boot delay** (any key | <Delete> key only; **any key** by default). Note that in some serial terminal programs, it is impossible to use

the [Delete] key to enter the setup – in this case it might be possible to do this with the [Backspace] key.

serial console – to configure initial serial console bitrate (1200 | 2400 | 4800 | 9600 | 19200 | 38400 | 57600 | 115200; **115200** bps by default).

boot device – initial boot device (boot over Ethernet | boot from NAND | boot Ethernet once, then NAND; **boot from NAND** by default). You can also select **boot chosen device** option to boot from the device selected immediately, without saving the setting.

cpu mode – whether to enter CPU suspend mode on WAIT instruction (power save | regular; **power save** by default). Most OSs use WAIT instruction during CPU idle cycle. When CPU is in suspend mode, it consumes less power, but in low-temperature conditions (below 0°C) it is recommended to choose regular mode, so that overall system temperature would be higher.

reset configuration – whether to reset all the boot loader settings to their respective default values (yes | no; **no** by default).

upgrade firmware – receive a new boot loader image using XModem protocol over serial line or using DHCP/BOOTP and TFTP protocols through the Ethernet network (upgrade firmware over ethernet | upgrade firmware over serial port).

board info – prints the serial number, boot loader version, CPU frequency, memory size and MAC addresses of the onboard Ethernet ports

boot protocol – network booting protocol (bootp protocol | dhcp protocol; **bootp protocol** by default).

do memory testing – performs a full memory test.

Boot Loader Upgrading

The boot loader is needed to initialize all the hardware and boot the system up. Newer loader versions might have support for more hardware, so it's generally a good idea to upgrade the loader once a newer version is available. You can upgrade the loader through the onboard serial port using XModem protocol (programs available for all major OSs). For example, you can use HyperTerminal for Windows or Minicom for Linux to upload the boot loader. Alternatively if you have a DHCP/BOOTP and TFTP servers available, you can specify the loader image as a boot image and choose the **bios upgrade over ethernet** option in the boot loader configuration menu. The loader will get the image from the TFTP server and upgrade itself. The most current loader image is available for download on www.routerboard.com.

If you are using a Microsoft Windows series operating system, you can use the remote upgrading application available on www.routerboard.com. This program boots the RouterBOARD from network and upgrades the loader. Note that the upgrade may only take place within the same broadcast domain (i.e. there must not be any routers between the Windows-based machine and the upgradable RouterBOARD).

The boot loader upgrading is supported also from MikroTik RouterOS. The procedure is described in the MikroTik RouterOS manual.

Appendix

Connector Index

J3	RS232C male DB9 serial port	
	2	RxD (Receive Data)
	3	TxD (Transmit Data)
	4	DTR (Data Terminal Ready)
	5	GND
	7	RTS (Request To Send)
J4	Auxillary antenna connector	
J5	Main antenna connector	
J7	Power jack (11..60 V DC, positive contact is the central pin)	
J6	External Fast Ethernet Connector,	
	1	Data TX+
	2	Data TX-
	3	Data RX+
	4	PoE power +
	5	PoE power +
	6	Data RX-
	7	PoE power -
8	PoE power -	
JP1	External speaker header	
JP3	5V power output	
JP4	3V power output	

Jumper Index

JP2	IEEE802.3af Power over Ethernet standard operation. The controller is only stable starting from 22-24V DC power input, so when powering from lower voltages, it should be disabled. Note that the controller is active for both PoE and J7 power jack, so even when not using PoE, disable the controller for lower voltages.	
	Open	Normal operation according to IEEE802.3af Power over Ethernet standard
	Closed	Disable PoE control (for passive PoE injectors and/or input voltage less than 22V)

Button Index

S1	Software reset button (GPIO6)
----	-------------------------------

Ethernet Cables

RJ45 Pin	Color	Function	RJ45 pin for Straight cable (MDI, EIA/TIA568A)	RJ45 pin for Crossover cable (MDI-X, EIA/TIA568B)	PoE
1	Green	TX+ Data	1	3	
2	Green/White	TX- Data	2	6	
3	Orange	RX+ Data	3	1	
4	Blue	-	4	4	+
5	Blue/White	-	5	5	+
6	Orange/White	RX- Data	6	2	
7	Brown	-	7	7	-
8	Brown/White	-	8	8	-

Serial Null-modem (Console) Cable with Loopback

DB9f	Function	DB9f	DB25f
1 + 4 + 6	CD + DTR + DSR	1 + 4 + 6	6 + 8 + 20
2	RxD	3	2
3	TxD	2	3
5	GND	5	7
7 + 8	RTS + CTS	7 + 8	4 + 5

FCC Notice (FCC ID: TV7-CRD)

This device uses, generates, and radiates radio frequency energy. The radio frequency energy produced by this device is well below the maximum exposure allowed by the Federal Communications Commission (FCC).

Operation is subject to the following conditions:

1. This device may not cause harmful interference, and
2. this device must accept any interference received, including interference that may cause undesired operation.

This equipment has been tested and found to comply with the limits for a Class B digital device, pursuant to Part 15 of the FCC Rules. These limits are designed to provide reasonable protection against harmful interference in a residential installation. However, there is no guarantee that interference will not occur in any particular installation. If this equipment does cause harmful interference to radio or television reception, which can be determined by turning the equipment off and on, the user is encouraged to correct the interference by one of more of the following measures:

1. Reorient the antenna.
2. Increase the separation between the affected equipment and the unit.
3. Connect the affected equipment to a power outlet on a different circuit from that which the receiver is connected to.
4. Consult the dealer and/or experienced radio/TV technician for help.

CAUTION: EXPOSURE TO RADIO FREQUENCY RADIATION

To comply with FCC RF exposure requirements, the following antenna installation and device operating configurations must be satisfied. The antenna for this unit must be fixed and mounted with a separation distance of at least 15.75 inches or 1.3 feet (40 cm) from all persons in occupational environment and 34.4 inches or 3 feet (90 cm) in general population areas. Furthermore, it must not be colocated or operating in conjunction with any other antenna or transmitter.

MODIFICATIONS:

The FCC requires the user to be notified that any changes or modifications to this device that are not expressly approved by the manufacturer may void the user's authority to operate the equipment. The correction of interference caused by unauthorized modification, substitution or attachment will be the responsibility of the user. The manufacturer and its authorized resellers or distributors are not liable for any damage or violation of government regulations that may arise from failing to comply with these guidelines.

LIST OF APPROVED ANTENNAS:

12dBi vertical omni antenna

13dBi horizontal omni antenna

19dBi panel antenna

24dBi grid dish antenna

17dBi 90° sectorial antenna