

HANDHELD COMPUTER

DB6

Preliminary User's Guide

Notice

The company reserves the right to revise this publication or to change its contents without any notice. Information contained herein is for reference only, and does not constitute a commitment on the part of the manufacturer or any subsequent vendor. They assume no responsibility or liability for any error or inaccuracy that may appear in this publication nor are they in anyway responsible for any loss or damage resulting from the use (or misuse) of this publication.

Any of the software described in this manual is sold or licensed "as is". Should the programs prove defective following purchase, the buyer (and not the manufacturer, its distributor, or its dealer) assumes the entire cost of all necessary servicing, repair and any incidental or consequential damages resulting from any software defects.

Copyright © 2010 CReTE Systems Inc.

Trademarks

All other brand and product names are trademarks or registered trademarks of their respective companies.

Regulatory Information/ Disclaimers

Installation and use of this computer must be in strict accordance with the instructions included in the user documentation provided with the product. Any changes or modifications (including the antennas) made to this device that are not expressly approved by the manufacturer may void the user's authority to operate the equipment.

The manufacturer is not responsible for any radio or television interference caused by unauthorized modification of this device, or the substitution of the connecting cables and equipment other than manufacturer specified. It is the responsibility of the user to correct any interference caused by such unauthorized modification, substitution or attachment. Manufacturer and its authorized resellers or distributors will assume no liability for any damage or violation of government regulations arising from failing to comply with these guidelines.

FCC (Federal Communications Commission) Statement

This equipment has been tested and found to comply with the limits for a Class B digital device pursuant part 15 of the FCC Rules. These limits are designed to provide reasonable protection against harmful interference in a residential installation.

This equipment generates, uses, and radiates radio frequency energy. If not being installed and used in accordance with the instructions, it may cause harmful interference to radio communications. However, there is no guarantee that interference will not occur in a particular installation. If this equipment does cause harmful interference to radio or television reception, which can be determined by turning the equipment off and on, the user is encouraged to try to correct the interference by one or more of the following measures:

- Re-orient or relocate the receiving antenna.
- Increase the separation between the equipment and receiver.
- Connect the equipment into an outlet on a circuit different from that to which the receiver is connected.
- Consult the dealer or an experienced radio/TV technician for help.

This device complies with Part 15 of the FCC Rules. Operation is subject to the following two conditions:

- This device may not cause harmful interference.
- This device must accept any interference received, including interference that may cause undesired operation.



FCC Caution

To assure continued compliance, any changes or modifications not expressly approved by the party responsible for compliance could void the user's authority to operate this equipment. (Example - use only shielded interface cables when connecting to computer or peripheral devices).

CE

Products with the CE Marking comply with both the EMC Directive (2004/108/EC) and the Low Voltage Directive (2006/95/EC) issued by the Commission of the European Community.

Compliance with these directives implies conformity to the following European Norms:

EN55022	CISPR 22 Radio Frequency Interference
EN55024	EN61000-4-2, EN61000-4-3, EN61000-4-4, EN61000-4-5, EN61000-4-6, EN61000-4-8, EN61000-4-11, EN61000-3-2, EN61000-3-3, Generic Immunity Standard
LVD	EN 60950 Product Safety, IEC 60950-1: 2005

R&TTE (CE) Manual Regulatory Requirement

WLAN - IEEE 802.11a/b/g/n

802.11a/b/g/n Restrictions:

European standards dictate maximum radiated transmit power of 100mW EIRP and frequency range 2.400-2.4835 GHz. In France, the equipment must be restricted to the 2.4465-2.4835 GHz frequency range and must be restricted to indoor use.

CE Declaration of Conformity



It is confirmed to comply with the requirements set out in the Council Directive on the approximation of the laws of the member states relating to Electromagnetic Compatibility Directive (2004/108/EC), Low-voltage Directive (2006/95/EC) and the procedures given in R&TTE Directive (99/5/EC).

The equipment was passed, and the equipment test was performed according to the following European standards:

EN 300 328 V1.7.1:2006

EN 301 893 V1.4.1(2007-07)

EN 301 V1.8.1 2008-04 / EN 301 489-17 V1.3.2 2008-04

EN 50371:2002

EN 60950-1: 2005

UL, TÜV: AC Adapter (TÜV includes EN60950 LVD)

Environmental Information, Material Safety & Recycling

All materials used in the manufacturing of this equipment are recyclable or environmentally friendly. Please recycle the packing materials by the local regulations at the end of the product's service life.

Notice:

- The equipment may still contain tiny amount of hazardous substances for health and environment, though those are below control level.
- To avoid spreading such substances into the eco system, and to minimize the pressure on the natural, you are encouraged to use the appropriate take-back for reusing or recycling most of the materials in a safe way after the service life.
- The crossed bin symbol indicates proper disposal is required.
- For more information on collection, reuse and recycling, please consult the local or regional waste administration for more information.
- You can also contact with the dealer for more information on the environmental details of the equipment.

Content

Chapter One- Getting Start	1
Unpacking.....	1
Workplace	2
Ruggedness.....	3
Appearance Overview.....	4
Front View	4
Rear View	5
Top-side View.....	6
Bottom-side View.....	6
Right-side View	7
Left-side View.....	7
Ready for Use	8

Mounting the Battery	8
Connecting with AC Adapter	9
Turning OFF the Power	11
Chapter Two- Operating Information	12
Start Using Your Handheld Computer	12
Boot up	12
Power on Self Test (POST)	12
Stop Using Your Handheld Computer	13
Shut down	13
Standby	14
Hibernate	14
Using Indicators and Keypad	15
Indicators	15

Keypad	16
Using Touch Screen	17
Using Fingerprint Sensor	18
Wireless LAN (Optional)	20
Using Camera (Optional)	22
Taking Pictures	23
Recording Video	23
Mounting with Cradle (Optional)	25
Chapter Three- Managing Power	26
Charging Battery	26
Checking the Battery Level	27
Power Conservation	27
Replacing Battery	28

Power Saving Tips	28
Supporting ACPI.....	29
AC Adapter and AC Power Cord Safety.....	30
Battery Precautions	31
Chapter Four- BIOS Setup	33
Main Menu.....	34
Advanced Menu.....	35
PCIPnP Menu	36
Boot Menu.....	37
Security Menu.....	38
Exit Menu	39
Chapter Five- Drivers and Utilities.....	40
Chipset	41
Graphic Controller.....	41

Touch Screen	42
Driver Installation	42
Utility Installation	42
Audio	43
Fingerprint Sensor	44
Driver Installation	44
Utility Installation	44
Wireless Devices	45
Bluetooth	45
WLAN (Optional)	45
WWAN (Optional)	46
GPS (Optional)	46
Wireless Device Power Manager	47

Chapter Six- Specification	48
Standard System Unit	48
CPU	48
Memory	48
Graphic Controller	48
HDD.....	49
Audio	49
Display	49
Communication	50
Keypad	50
I/O Ports.....	51
Battery	51
AC Adapter	51

Dimensions & Weight	51
Case Material & Colors.....	52
Certification	52
Optional Devices	53
Camera.....	53
Communication	53
Security	53
Cradle- CRB6	54
Multi-Charger MCHB6.....	54
Chapter Seven- Maintenance and Service	55
Cleaning.....	55
Troubleshooting	56
RMA Service	57

Chapter One- Getting Start

Unpacking

After unpacking, the followings are the standard items along with your computer. If there is any missing or damaged, please notify the dealer immediately.

- Handheld Computer Unit
- AC Adapter
- AC Power Cord
- Utility DVD
- User's Guide

Workplace

A clean and moisture-free environment is preferred. Make room for air circulation. Remember to avoid areas from:

- Sudden or extreme changes in temperature.
- Extreme heat.
- Strong electromagnetic fields (near television set, motor rotation area, etc.).
- Dust or high humidity.

If it is necessary to work in a hostile environment, please regularly maintain your computer by cleaning dust, water, and etc. to keep it in an optimal condition.

Environmental Ratings-

Operating Temperature: 0 ~ +40 °C (DB6-I)/ -20 ~ +50 °C (DB6-M)

Operating Altitude: 0 ~ 4,572 meters

Operating Humidity: Up to 95%

Ruggedness

The computer is designed with rugged features such as vibration, shock, dust, and rain/ water protection. However, it is still necessary to provide appropriate protection while operating in harsh environments.

Since the handheld computer is passed MIL-STD-810G for the temperature, vibration, shock, humidity and salt fog tests, and IP55 (I Model) or IP65 (M model) for dust and water resistant tests, the handheld computer is therefore a fully-rugged one.

Appearance Overview

Before starting to use your handheld computer, we suggest you to have a quick glance at it to know the external components well.

Front View

1. Antenna:

Embedded antenna for wireless application

2. LCD:

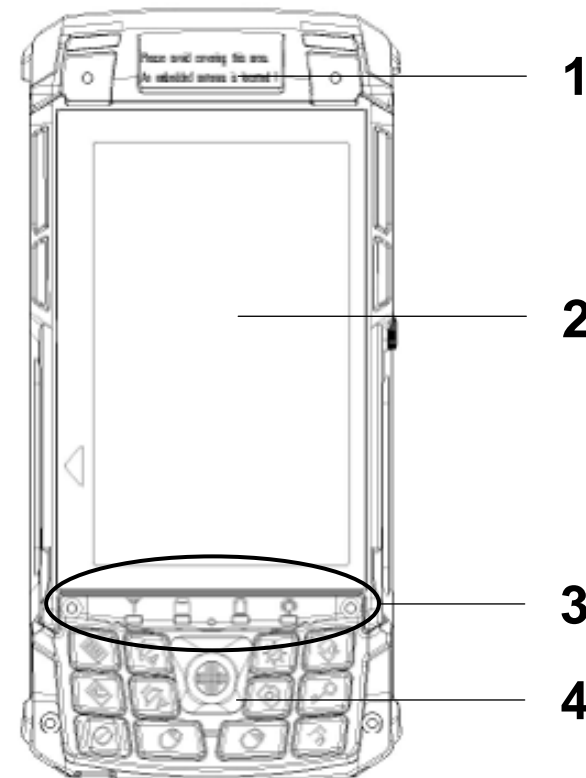
Displaying the output of the handheld computer

3. LED Indicators:

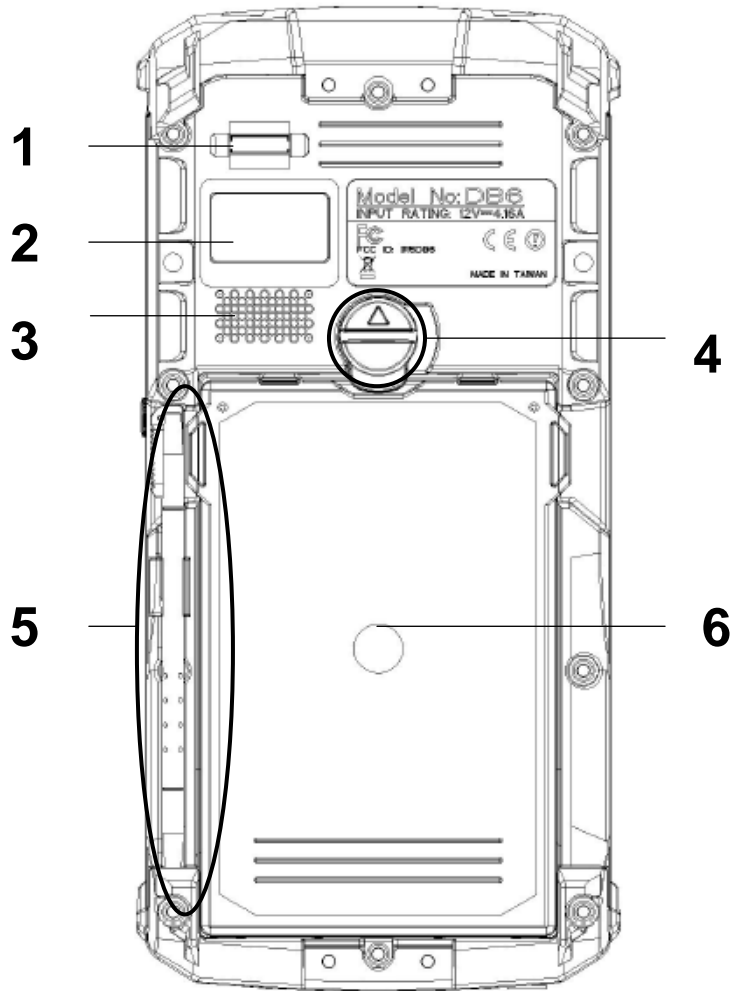
LED colors and lighting ways differ from each other.

4. Keypad:

Designed keypad for quick operation



Rear View



1. Fingerprint Sensor: (Optional)

Scanning users' fingerprints for security.

2. 2M AF Camera (Optional):

Capturing images and recording videos.

3. Speaker:

External speaker

4. Battery Lock:

Locating the battery correctly and locking with it.

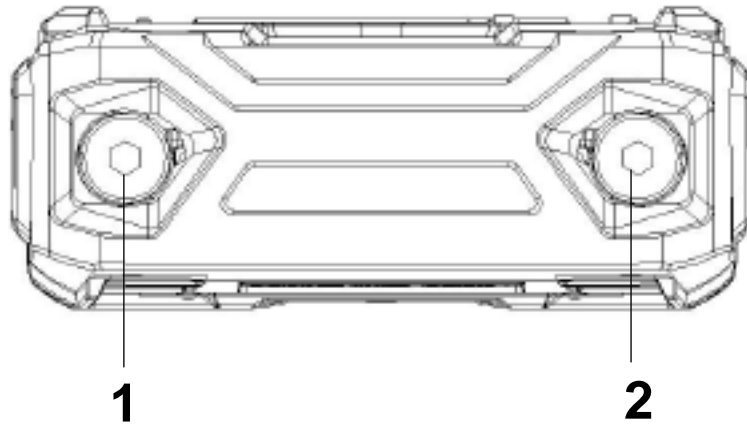
5. Stylus:

Tool pen for using touch screen

6. Battery Pack:

Swappable Li-Ion Battery

Top-side View



1+2

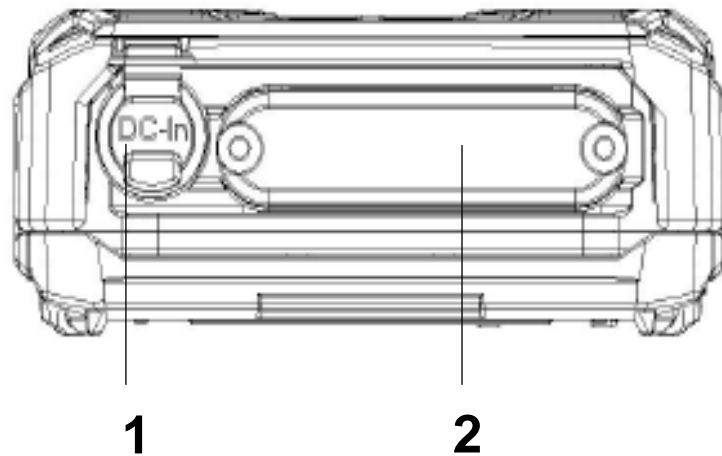
Standard:

No Function/ Sealed with Screws

Optional:

By Customers' Request

Bottom-side View



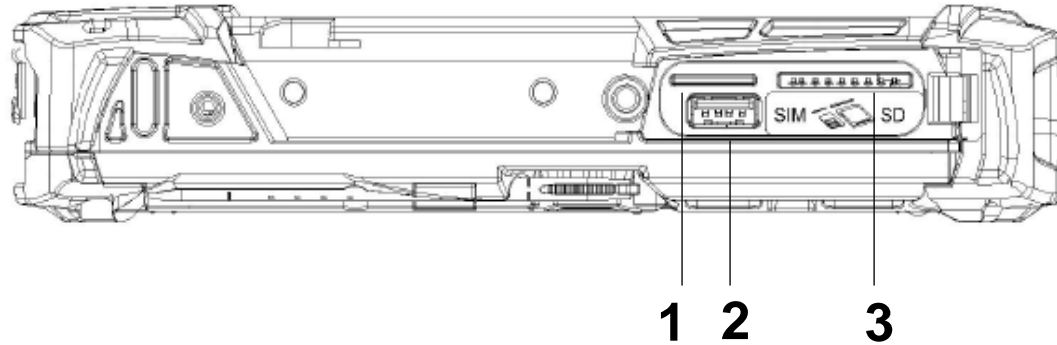
1. DC Power Jack:

For External Power Supply and Power Charging

2. Expansion Slot

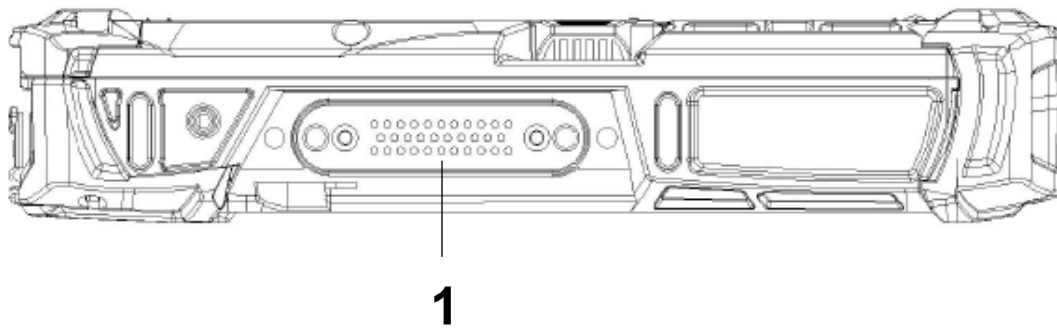
Expansion Slot for Extra Function

Right-side View



1. SIM Card Slot
2. USB 2.0 Port (Host)
3. SD Card Slot

Left-side View



1. Cradle Connector

Ready for Use

After taking a quick look at your handheld computer, the following illustrations will get you ready for using it.

Mounting the Battery

1. Mount the battery into the battery bay.



2. Use a suitable-size coin to lock the screw.



Connecting with AC Adapter

1. Connect the AC adapter with your handheld computer. Lock the connector well clockwise.



2. Plug the AC cord to the AC adapter.




3. Plug the AC cord to a right electrical outlet.

Turning ON the Power

1. Make sure the battery is mounted and all power cords are connected well.
2. Now, you are able to turn ON the power of your handheld computer by pressing “Power Button”.



Press  on the keypad to turn on the power of your handheld computer.

Note:

- The power is able to be ON without any battery mounted, once all the power cords are connected well.
- Please see more information in “Operating Information”.

Turning OFF the Power

Directly click “**Shut down**” from your OS to turn OFF the power of your handheld computer.

Note:

- The above-mentioned description is a standard way to turn OFF the power. Directly turn OFF the power by pressing “Power Button” will cause data lose and is not suggested.
- There are still other ways to stop your handheld computer from operating, see more information in “Operating Information”.

Chapter Two- Operating Information

Start Using Your Handheld Computer

Always turning on your handheld computer by using the power button, this is a standard operating procedure to start using your handheld computer. After turning on the power of your handheld computer, it will start with the operating system (OS) such as Windows XP.

Boot up

When turning on the power, your handheld computer will start loading the OS into the system memory. This start-up procedure is called “boot up”.

Power on Self Test (POST)

Each time when your handheld computer is turned on, BIOS will automatically perform a self-test of CPU, memory, hardware devices, and so on.

Stop Using Your Handheld Computer

Each time when you finish working with your handheld computer, there are several ways to stop your handheld computer from operating.

Shut down

Directly click “Shut down” from your OS such as Windows XP to turn OFF the power of your handheld computer.

Before shutting down, please always remember to save the unfinished works and close the application for preventing from any possible data loss or HDD damage.

“Shut down” will totally turn OFF the power of your handheld computer. If you want to start your handheld computer again, you need to press the power button.

Standby

Under “Standby” mode, the system will temporarily save your work into RAM. If you want to start your handheld computer again, all you need to press any key.

You are able to do enter “Sleep” mode by directly clicking “Start” => “Shut down” => “Standby” from your OS such as Windows XP. Or, you can do the “Sleep” Mode settings in your OS.

Hibernate

Under “Hibernate” mode, the system will save your work into HDD. If you want to start your handheld computer again, you need to press the power button.

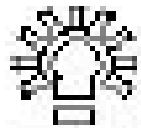
You are able to do enter “Hibernate” mode by setting from your OS such as Windows XP.

Using Indicators and Keypad

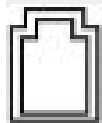
Your handheld computer is designed with a keypad for easy and quick operation. Also, each LED indicator shows different meanings.

Here are the descriptions for each button and LED indicator to help you use well with your handheld computer.

Indicators



Power Indicator: Green (Power); Red (S3: Standby)



Battery Indicator: Orange

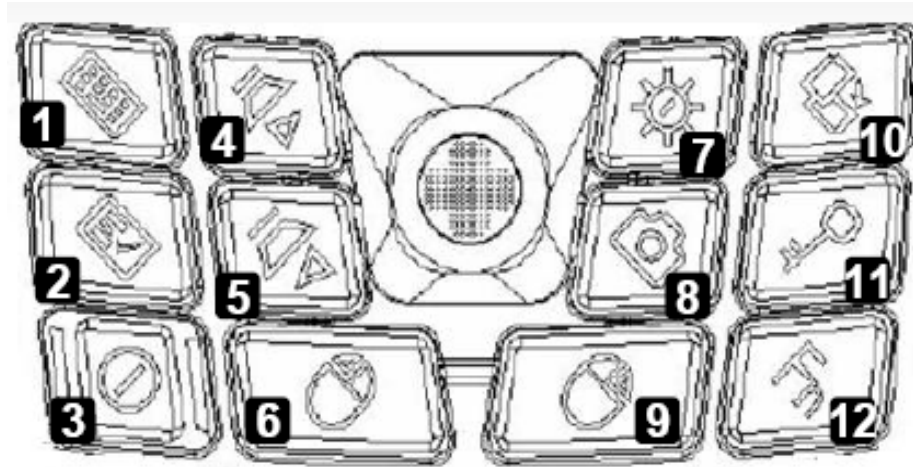


SSD Indicator: Green (SSD); Red (Input Lock)



Wireless Devices Indicator: Blue

Keypad



2nd Layer:

- a. Fn + LCD Backlight On/Off = Keypad Backlight On/Off
- b. Fn + Volume Up/ Down = LCD Brightness Up/ Down
- c. Fn + Application Setting = Input Lock

1st Layer:

- 1. Text Input
- 2. AP Settings
- 3. Power On/Off
- 4. Volume Up
- 5. Volume Down
- 6. Mouse's Left Button
- 7. LCD Backlight On/Off
- 8. Camera
- 9. Mouse's Right Button
- 10. Screen Rotation
- 11. Login
- 12. Function Key

Using Touch Screen

DB6 is equipped with a high sensitive touch panel allowing you to navigate on the touch screen easily without using any other devices such as external keyboard or mouse.

A stylus is provided for you to use well with the touch screen. Here are some operating tips to help you use the touch screen well with a stylus.

Single Click: Tapping the touch screen with a stylus gently

Double Click: Tapping the touch screen quickly twice with a stylus

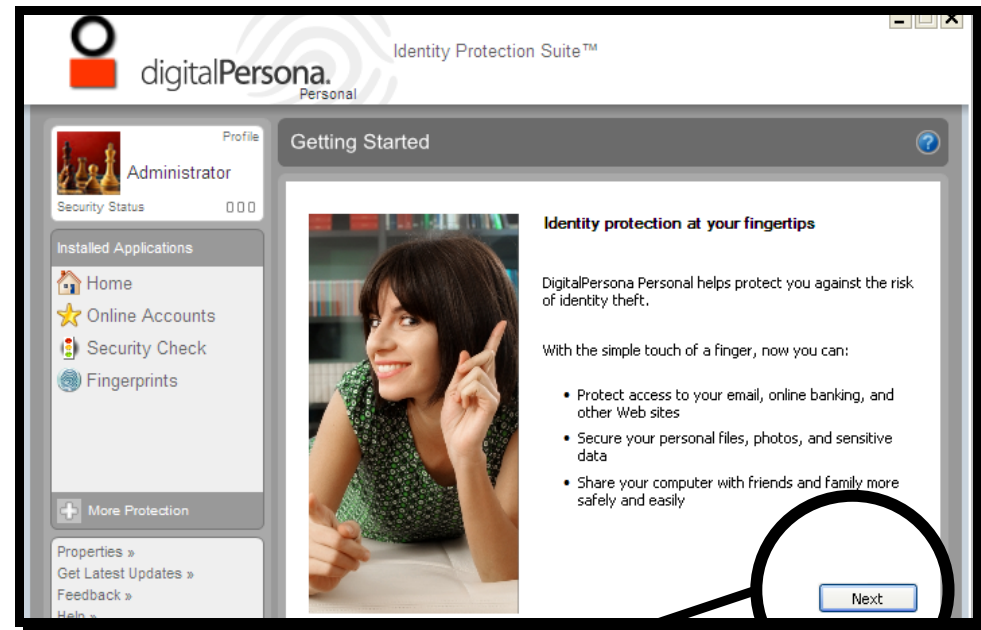
Drag and Drop: Clicking and holding the object with a stylus slightly and moving to the destination you want (Drag). Leave the stylus from the touch screen once you finish dragging (Drop).

Right Click: Pressing harder on one point of the touch screen and holding for 2~3 seconds. This is the same as using the right click of a mouse.

Using Fingerprint Sensor

Your handheld computer provides a fingerprint sensor for user to strengthen the authentication and security. The followings are steps to set your fingerprint through it.

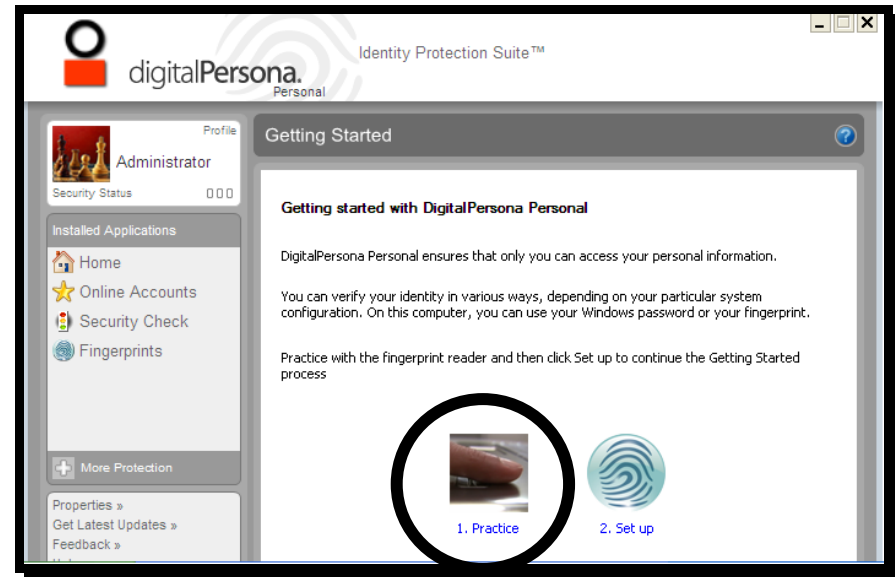
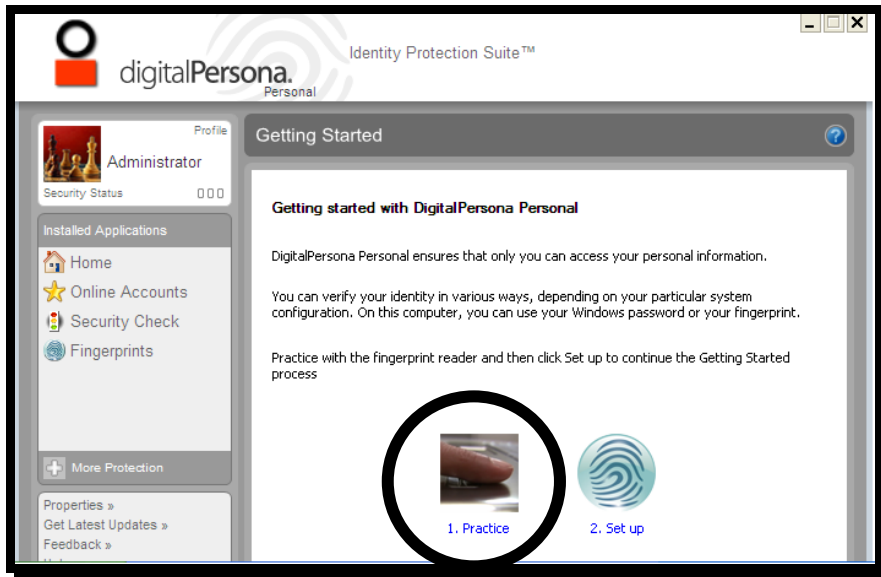
1. Read from the utility CD to install “DigitalPersona Personal” and the driver.
2. Open “DigitalPersona Personal”
3. Click “Next” to start the setting.



After Opening “DigitalPersona Personal”, please click “Next” to start the settings.

3. You are able to Practice first.

4. Or, directly set up.



Wireless LAN (Optional)

Wireless LAN card is an optional device for your handheld computer. For supporting IEEE 802.11 a/b/g/n, a half-sized mini PCIe Wireless LAN card and embedded antenna will be pre-installed in your handheld computer to access the internet wirelessly.

To activate your Wireless LAN function, please follow the illustrations as below.

1. Driver & Utility Installation

a. Install the Chipset Driver first:

Read from the Utility DVD. Click `infinst_autol.exe` in the directory of “DB6\Driver\Chipset\2kXpVista3264”, and then follow the prompt to complete installation.

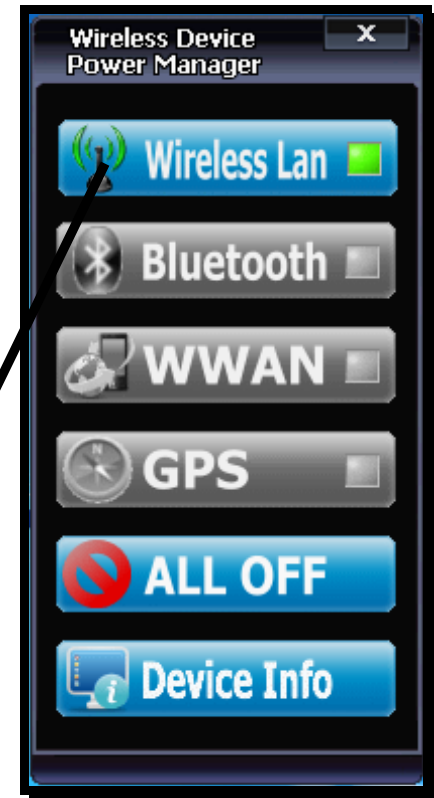
b. Then, install the Wireless Device Power Manager Utility:

Read from the Utility DVD. Click `setup.exe` in the directory of Utilities\Wireless Manager then follow the prompt to complete installation.

2. Launch the Wireless Device Power Manager
After launching the utility, please click “Wireless LAN” for enabling the Wireless LAN function (click again for disabling the Wireless LAN function).

Once the Wireless LAN function starts up, the Wireless Device LED indicator will turn on in blue and the Wireless LAN icon will show “connected” in the OS accordingly.

Click “Wireless LAN” for enabling the Wireless LAN function (click again for disabling the Wireless LAN function).



Note:

- Since this handheld computer does not support cell phone function, but users are able to make phone calls through VOIP when equipped with Wireless LAN function.

Using Camera (Optional)

Your handheld computer provides an optional 2 million-pixel CMOS camera for you to capture images at any time. Also, it supports video recording function for more application. You are able to press the camera button or application menu button to enter into the camera window as below.





Taking Pictures

Click  in the camera window to take pictures. Or, you can press the camera button again to capture the images.

After taking pictures, your pictures will automatically be saved in C:\Documents and Settings\Administrator\My Document\My Pictures.

Recording Video

Click  in the camera window to recording video. To stop recording, please click . While recording, you can also adjust the volume.

After recording video, your video files will automatically be saved in C:\Documents and Settings\Administrator\My Document\My Video.

Other Functions



Video Format Properties: Advanced video format adjusting



Image Properties: Advanced image settings and camera control



Volume Level: Adjust video recording volume



Flash LED Settings: Advanced flash LED settings



Exit: Exit the camera window/ function

Note:

- For the designed consideration, we suggest you rotate your screen vertically while using the camera.

Mounting with Cradle (Optional)

Detailed information will be released later.

Chapter Three- Managing Power

Charging Battery

An AC adapter, an AC power cord and a battery pack are required during battery charging. These are standard accessories for your handheld computer. Do always use the AC adapter, the AC power cord and the battery pack designed for your handheld computer.

After unpacking your handheld computer, the first thing you need to do is starting charging battery for the further use. Please connect your AC power cord and AC adapter well with the plug and mount your battery well before starting charging. We suggest you to charge the battery for about 8 hours at the very beginning to give a full charge for your battery pack.

When the battery is nearly exhausted, please save and close the files you are currently working on, and plug in the AC adapter to recharge the battery or swap with a charged battery.

Checking the Battery Level

After a full charge of your battery, you are now able to check your battery level by using the battery meter function of your OS. The battery icons which show the conditions of the battery or where the power source comes from may be different depending on the OS you install.

When the battery is nearly exhausted, the OS will show a warning icon. Also, the Power Indicator LED will flash when the battery level is under 15%.

Power Conservation

This computer consumes much less power than conventional computers. However, power consumption may be reduced by configuring the Power Management Setup properly.

It is recommended the power saving functions to be enabled even when not running on battery power. Power Management will not degrade performance while saving power.

Replacing Battery

When the battery is nearly exhausted, there are two ways to keep your handheld computer working. Connect the AC adapter and the power cord designed for this handheld computer to start charging is one method; directly replace a charged battery designed for this handheld computer may be the other one.

Note:

- Always remember to turn OFF the power before replacing the battery.
- You can change the battery in 30 seconds under standby mode; otherwise, it may cause the data loss or malfunction of your handheld

Power Saving Tips

- Turn OFF the LCD backlight when not using the handheld computer.
- Lower the intensity of the LCD backlight.
- Use well with Shut down, Standby and Hibernation.
- Use well with the power management settings in your OS.

Supporting ACPI

Your handheld computer supports ACPI (Advanced Configuration and Power Interface) for power management. With ACPI and an ACPI-compliant operating system such as Windows, the feature will allow you to reduce the power consumption for energy saving. By supporting ACPI, the AC adapter LED and the Power indicator LED will show in different ways. The followings are the detailed description.

Standby:

AC adapter LED is ON (while connecting with power)
Power LED indicator is ON; Other LED indicators are OFF

Under Hibernation:

AC adapter LED is ON (while connecting with power)
Power LED indicator is OFF; Other LED indicators are OFF

Shutdown:

AC adapter LED is ON (while connecting with power)
Power LED indicator is OFF; Other LED indicators are OFF

AC Adapter and AC Power Cord Safety

There are specific power requirements for your handheld computer:

- Only use an approved AC adapter designed for this computer.
- There is a 3-prong grounded plug of the AC adapter. The third prong is an important for safety. Do not neglect the importance for it. If you are not able to access a compatible outlet, installing one by a qualified electrician is necessary.
- When unplugging the AC power cord, please be sure to disconnect it from the plug head but from its wire.
- Make sure the socket and any other extension cord you use can support the total current load of all the connected devices.
- Before cleaning the computer, make sure it is disconnected from any external power supplies.

Battery Precautions

- Only use the batteries designed for this computer. The wrong battery may cause explosion, leakage or damage to the computer.
- Do not remove the battery from the computer while it is powered on.
- Do not continuously use a battery that has been dropped, or that appears damaged (e.g. bent or twisted) in any way. Even if the computer is able to continuously work with a damaged battery, the circuit damage may occur and possibly cause fire.
- Always use the charger designed for this handheld computer to recharge the battery. Incorrect recharging may make the battery explode.
- Do not try to repair a battery pack by yourself. Refer to any battery pack repair or replacement, please contact with to your service representative.
- Please dispose of a damaged battery promptly and carefully. Explosion or leakage may occur, if the battery is exposed to fire, improperly handled or discarded.

 ***Warning***

Before any upgrade procedures, make sure the power is turned off, and all the cables are disconnected (including telephone lines). Also, it is advisable to remove your battery in prevent from turning the computer on accidentally.

 ***Battery Disposal & Caution***

The product that you have purchased contains a rechargeable battery. The battery is recyclable. At the end of its service life, under various state and local laws, it may be illegal to dispose of this battery into the municipal waste stream. Check with your local solid waste officials for details in your area for recycling options or proper disposal. Danger of explosion may possibly occur, if the battery is incorrectly replaced. Replace only with the same or the equivalent battery recommended by the manufacturer. Discard the used battery according to the manufacturer's instructions.

Chapter Four- BIOS Setup

Before you entering into the BIOS menu, please connect a USB keyboard with your handheld computer.

After the USB keyboard is connected, turn the power of your handheld computer ON and press “Del” on the USB keyboard to directly entering into the BIOS Menu.

Main Menu

In Main Menu, you are able to see the System Overview and the operating instructions.

BIOS SETUP UTILITY	
Main	Advanced PCIPnP Boot Security Exit
System Overview	
AMIBIOS Version : 08.00.15 Build Date : 03/01/10 ID : 1AAAAA000	
Processor Intel (R) Atom (TM) CPU Z530 @ 1.60GHz Speed : 1600MHz Count : 1	
System Memory Size : 2043MB	
System Time [16:15:25] System Date [Thu 05/20/2010]	
CMC Lo-Module: OD2.02x, Hi-Module:OD2.018x	
Use [Enter], [TAB] or [SHIFT-TAB] to select a field. Use [+] or [-] to configure system Time. ← Select Screen ↑↓ Select Item -/+ Change Values Tab Select Field F1 General Help F10 Save and Exit Esc Exit	

Advanced Menu

In Advanced Menu, you are able to do the advanced settings.

BIOS SETUP UTILITY					
Main	Advanced	PCIPnP	Boot	Security	Exit
Advanced Settings		ConfigureCPU.			
Warning: Setting wrong values in below sections may cause system to malfunction.					
▶ CPU Configuration					
▶ IDE Configuration					
▶ SuperIO Configuration					
▶ ACPI Configuration					
▶ MPS Configuration					
▶ PCI Express Configuration					
▶ Smbios Configuration					
▶ USB Configuration					
▶ RF Item Configuration					
COM 2 redirection	[Cradle]				
Thermal cooling trip point	[119C]				
Critical trip point	[127C]				
		← Select Screen			
		↑↓ Select Item			
		Enter Go to Sub Screen			
		F1 General Help			
		F10 Save and Exit			
		Esc Exit			

PCIPnP Menu

In PCIPnP Menu, you are able to do the advanced PCI/PnP settings.

BIOS SETUP UTILITY		
Main	Advanced	PCIPnP
Advanced PCI/PnP Settings Warning: Setting wrong values in below sections may cause system to malfunction.		Configure NVRAM during System Boot.
Clear NVRAM	[No]	
Plug & Play O/S	[No]	
PCI Latency Timer	[64]	
Allocate IRQ to PCI VGA	[Yes]	
Palette Snooping	[Disabled]	
PCI IDE BusMaster	[Disabled]	
Offboard PCI/ISA IDE Card	[Auto]	
IRQ3	[Available]	
IRQ4	[Available]	
IRQ5	[Available]	
IRQ7	[Available]	
IRQ9	[Available]	
IRQ10	[Available]	
IRQ11	[Available]	
		← Select Screen ↑↓ Select Item +- Change Option F1 General Help F10 Save and Exit Esc Exit

Boot Menu

In Boot Menu, you are able to do the boot settings.

BIOS SETUP UTILITY					
Main	Advanced	PCIPnP	Boot	Security	Exit
Boot Settings		Configure Settings during System Boot.			
▶ Boot Settings Configuration					
1st Boot Device	[USB]				
2nd Boot Device	[HDD:PM-MTRON MSD-P]				
3rd Boot Device	[CD/DVD]				
4th Boot Device	[Removable Dev.]				
		← Select Screen			
		↑↓ Select Item			
		Enter Go to Sub Screen			
		Tab Select Field			
		F1 General Help			
		F10 Save and Exit			
		Esc Exit			

Security Menu

In Security Menu, you are able to do the security settings.

BIOS SETUP UTILITY					
Main	Advanced	PCIPnP	Boot	Security	Exit
Security Settings			Install or Change the password.		
Supervisor Password :Not Installed					
User Password :Not Installed					
Change Supervisor Password					
Change User Password					
Boot Sector Virus Protection [Disabled]					
			← Select Screen		
			↑↓ Select Item		
			Enter Change		
			F1 General Help		
			F10 Save and Exit		
			Esc Exit		

Exit Menu

In Exit Menu, you are able to do the exit option settings.

BIOS SETUP UTILITY					
Main	Advanced	PCIPnP	Boot	Security	Exit
Exit Options		Exit system setup after saving the changes.			
Save Changes and Exit		F10 key can be used for this operation.			
Discard Changes and Exit					
Discard Changes					
Load Optimal Defaults					
Load Failsafe Sefaults					
		← Select Screen			
		↑↓ Select Item			
		Enter Go to Sub Screen			
		F1 General Help			
		F10 Save and Exit			
		Esc Exit			

Chapter Five- Drivers and Utilities

The Utility DVD includes all the drivers for the installed devices in your handheld computer. Please consult the dealer if there is any driver missing.

Also, through Device Manager in Windows, you are able to perform “Driver Update” or check if there are still drivers for the devices needed to be installed.

Check readme.txt file on utility DVD to get the newest information before starting to install drivers.

Note:

- Please notice to install the driver first, then the utility.

Chipset

Read from the utility DVD. Click **infinst_autol.exe** in the directory of **DB6\Drivers\Chipset\WinXP(32bit)** then follow the prompt to complete installation.

Graphic Controller

Your handheld computer supports Intel® GMA500 giving you a flexible, programmable architecture that supports shader-based technology, 2D, 3D and advanced 3D graphics, high-definition video decode, and image processing. Please follow the installation as below to use well with Intel® GMA500.

Read from the utility DVD. Click **Setup.exe** in the directory of **DB6\Drivers\VGA\WinXP(32bit)** then follow the prompt to complete installation.

Touch Screen

Your handheld computer is equipped with a high sensitive touch panel. Please follow the installation as below to start using your touch screen.

Driver Installation

Read from the utility DVD. Click **Setup.exe** in the directory of **DB6\Drivers\Touchscreen\WinXP(32bit)** then follow the prompt to complete installation.

Utility Installation

Read from the utility DVD. Click **Setup.exe** in the directory of **DB6\Utilities\Touchscreen\WinXP(32bit)** then follow the prompt to complete installation.

Audio

Your handheld computer provides a high-quality audio sound effect for user to enjoy better sound quality. To activate this function, please follow the installation as below.

Read from the utility DVD. Click **Setup.exe** in the directory of **DB6\Drivers\Audio\WinXP(32bit)** then follow the prompt to complete installation.

Fingerprint Sensor

Your handheld computer provides a fingerprint sensor for user to strengthen the authentication and security. To activate this function, please follow the installation as below.

Driver Installation

Read from the utility DVD. Click **Setup.exe** in the directory of DB6\Drivers\Fingerprintsensor\Win7(32bit) then follow the prompt to complete installation.

Utility Installation

Read from the utility DVD. Click **Setup.exe** in the directory of DB6\Utilities\Fingerprintsensor\WinXP(32bit) then follow the prompt to complete installation.

Wireless Devices

Your handheld computer supports wireless communication. Bluetooth is a standard equipped wireless device. If your model supports optional wireless connection, please see the followings to install the drivers.

Bluetooth

Read from the Utility DVD. Click setup.exe in the directory of “DB6\ Drivers\ Windows XP (32-bit)\ BLU-BC4\ 2kXp\ BlueSoleil 2.1.3.0 release 060429(Standard)”, and then follow the prompt to complete installation.

WLAN (Optional)

Depending on the model you choose; if your handheld computer is equipped with a WLAN model, please follow the installation as below to connect your handheld compute with the internet wirelessly.

Read from the utility DVD. Click **Setup.exe** in the directory of **DB6\Drivers\WLAN\WinXP(32bit)** then follow the prompt to complete installation.

WWAN (Optional)

Depending on the model you choose; with pre-installed embedded antenna and the optional 3.5G WWAN module, DB6 will be able to do the telecommunication after installing with a 3.5G SIM card. Please follow the installation as below.

Read from the utility DVD. Click **Setup.exe** in the directory of **DB6\Drivers\WWAN\WinXP(32bit)** then follow the prompt to complete installation.

GPS (Optional)

Depending on the model you choose; being able to activate the function,

please follow the installation as below.

Read from the utility DVD. Click **Setup.exe** in the directory of **Drivers\GPS\WinXP(32bit)** then follow the prompt to complete installation.

Wireless Device Power Manager

Wireless Device Power Manager is an exclusive utility designed and developed for the Wireless Devices of your handheld computer. Through Wireless Device Power Manager, turning the power ON or OFF become more convenient for being one of the power-saving tips.

Read from the utility DVD. Click **Setup.exe** in the directory of **DB6\Utilities\Wirelessmanager\WinXP(32bit)** then follow the prompt to complete installation.

Chapter Six- Specification

Standard System Unit

CPU

- Intel® Atom™ Processor Z530 1.6GHz
- 512 KB L2 Cache
- 533 MHz FSB

Memory

- DDR2 2GB at 533 MHz

Graphic Controller

- Intel® GMA (Graphics Media Accelerator) 500
- Supporting Microsoft® DirectX 9 and Open GL 2.0
- Sharing Max. 509MB System Memory

HDD

- 1.8 PATA SSD (Solid State Disk)
- IDE Interface

Audio

- HD Audio Codec and Amplifier
- Mono Speaker

Display

- 5" WVGA TFT LCD
- 800 x 480 Resolution
- Sunlight-readable with Rugged Touch Screen
- Anti-glare, Anti-reflective Screen Treatments
- 300-nits Brightness with LED Backlight

Communication

- Bluetooth® V2.1 + EDR (Class 2)

Keypad

- Screen Rotation
- Login (Windows Security)
- Function Key
- LCD Backlight ON/OFF
- Camera
- Mouse's Right Button
- Mouse's Left Button
- Volume Down
- Volume Up
- Power Button
- Application Menu
- Application Setting
- Input Lock

I/O Ports

- USB 2.0 x 1
- SD Card Slot x 1
- SIM Card Slot x 1

Battery

- Swappable under S3 (Standby Mode)
- 7.4V, 3900mAh Lithium-ion Battery Pack
- 4-hour Operating Time

AC Adapter

- 36W AC 100V-240V 50/60Hz
- Auto Sensing/ Switching Worldwide Power Supply

Dimensions & Weight

- 200mm (L) x 94mm (W) x 36 mm (H)
- 690g (With all wireless devices)

Case Material & Colors

- Magnesium Alloy
- Black and NATO Green

Certification

- CE
- FCC
- WEEE
- REACH
- MIL-STD-810G
- IP55 (DB6-I)/ IP65 (DB6-M)
- MIL-STD 461F (DB6-M: Standard/ DB6-I: Optional)

Optional Devices

Camera

- 2 Million-pixel CMOS Camera with Flashlight
- Supporting Video Recording

Communication

- Wireless LAN Card: Supporting IEEE 802.11 a/b/g/n
- WWAN: HSDPA/UMTS 3.5G
- GPS: Ublox LEA-5H

Security

- Fingerprint Sensor

Cradle- CRB6

- Supporting I/O Ports: DB9 x1 (COM1: USB to COM), 10M/ 100M LANx1, USB 2.0 x3, USB (Client) x1, D-sub 15 x1 (RGB), DC Power Jack x1
- DC Input 12~32V
- CE, FCC, MIL-461F
- For indoor use only

Multi-Charger MCHB6

- 4 slots for double-sized battery, 8 connectors for standard primary battery
- With 90W AC Adapter
- DC Input 12~32V
- CE, FCC

Chapter Seven- Maintenance and Service

Cleaning

ALWAYS turn OFF the power, unplug the power cord and remove the battery before cleaning.

The exterior of the system and display may be wiped with a clean, soft, and lint-free cloth. If there is difficulty removing dirt, apply non-ammonia, non-alcohol based glass cleaner to the cloth and wipe.

An air gun is recommended for cleaning water and dust. For salty water please clean with fresh water then blow-dry with an air gun. Be sure not to turn the computer up side down while there is water being applied.

Troubleshooting

Should the computer fail to function properly, the troubleshooting steps below may be followed.

- Check AC/vehicle adapter, battery, and the power source.
- Minimize the configuration, i.e. remove extra peripherals and devices.
- Remove the software suspected.
- Set BIOS fail-safe default.
- Re-install operating system and application software.

RMA Service

If troubleshooting steps are unsuccessful, consult your dealer for RMA.

Shipping instructions:

1. Remove any personal data.
2. Use the original shipping container and packing materials, if possible.
3. If the original packing materials are not available, wrap the equipment with soft material (e.g. PU/PE form) then put the wrapped equipment into a hard cardboard shipping box.
4. Include a sheet with the following information: (Note: Please keep a copy of this sheet for your records)
 - Name
 - Address
 - Unit serial number
 - Place and date of purchase or the original invoice number
 - Date of failure
 - A DETAILED Description of the problems you have encountered
 - A list of the hardware/software configuration, if applicable.

5. Clearly mark the outside of the shipping box with the RMA #. If RMA # is not present on the shipping box, receiving will be unable to identify it and it might be returned.
6. Unless prior arrangements have been made, the customer is responsible for all shipping costs. Unauthorized use of the company's shipping accounts is not permitted.

Recycled/ Recyclable
Printed in Taiwan
G630902000