



**OPERATOR'S MANUAL
MANUEL de L'UTILISATEUR
MANUAL del OPERADOR**



**Catalog No.
No de Cat.
Número de Catálogo
6180-20**

**HEAVY-DUTY 14" ABRASIVE CUT-OFF MACHINE
EXTRA ROBUSTE TRONÇONNEUSE 355 mm (14") À DISQUE ABRASIF
SIERRA TRONZADORA ABRASIVA DE 355 mm (14"), HEAVY DUTY**

TO REDUCE THE RISK OF INJURY, USER MUST READ AND UNDERSTAND OPERATOR'S MANUAL.

AFIN DE RÉDUIRE LE RISQUE DE BLESSURES, L'UTILISATEUR DOIT LIRE ET BIEN COMPRENDRE LE MANUEL DE L'UTILISATEUR.

PARA REDUCIR EL RIESGO DE LESIONES, EL USUARIO DEBE LEER Y ENTENDER EL MANUAL DEL OPERADOR.

GENERAL SAFETY RULES



WARNING!

READ AND UNDERSTAND ALL INSTRUCTIONS


Failure to follow all instructions listed below, may result in electric shock, fire and/or serious personal injury.

SAVE THESE INSTRUCTIONS

WORK AREA

1. **Keep work area clean and well lit.** Cluttered, dark work areas invite accidents.
2. **Avoid dangerous environments.** Do not use your power tool in rain, damp or wet locations or in the presence of explosive atmospheres (gaseous fumes, dust or flammable materials). Remove materials or debris that may be ignited by sparks.
3. **Keep bystanders away.** Children and bystanders should be kept at a safe distance from the work area to avoid distracting the operator and contacting the tool or extension cord.
4. **Protect others in the work area** from debris such as chips and sparks. Provide barriers or shields as needed.
5. **Make workshop child proof** with padlocks, master switches, or by removing starter keys.

ELECTRICAL SAFETY

6. **Grounded tools must be plugged into an outlet properly installed and grounded in accordance with all codes and ordinances.** Never remove the grounding prong or modify the plug in any way. Do not use any adaptor plugs. Check with a qualified electrician if you are in doubt as to whether the outlet is properly grounded. If the tool should electrically malfunction or break down, grounding provides a low resistance path to carry electricity away from the user.
7. **Double insulated tools are equipped with a polarized plug (one blade is wider than the other). This plug will fit in a polarized outlet only one way. If the plug does not fit fully in the outlet, reverse the plug. If it still does not fit, contact a qualified electrician to install a polarized outlet. Do not change the plug in any way.** Double insulation  eliminates the need for the three wire grounded power cord and grounded power supply system.
8. **Guard against electric shock.** Prevent body contact with grounded surfaces such as pipes, radiators, ranges and refrigerators. When making blind or plunge cuts, always check the work area for hidden wires or pipes. Hold your tool by insulated nonmetal grasping surfaces. Use a Ground Fault Circuit Interrupter (GFCI) to reduce shock hazards.
9. **Do not expose to rain or use in damp locations.**
10. **Do not abuse the cord. Never use the cord to carry the tools or pull the plug from an outlet. Keep cord away from heat, oil, sharp edges or moving parts. Replace damaged cords immediately.** Damaged cords increase the risk of electric shock.

PERSONAL SAFETY

11. **Know your power tool.** Read this manual carefully to learn your power tool's applications and limitations as well as potential hazards associated with this type of tool.
12. **Stay alert, watch what you are doing, and use common sense when operating a power tool. Do not use tool while tired or under the influence of drugs, alcohol, or medication.** A moment of inattention while operating power tools may result in serious personal injury.

13. **Dress properly.** Do not wear loose clothing or jewelry. Wear a protective hair covering to contain long hair. These may be caught in moving parts. When working outdoors, wear rubber gloves and insulated non-skid footwear. Keep hands and gloves away from moving parts.
14. **Reduce the risk of unintentional starting.** Be sure your tool is turned off before plugging it in. Do not use a tool if the power switch does not turn the tool on and off. Do not carry a plugged-in tool with your finger on the switch.
15. **Remove all adjusting keys and wrenches.** Make a habit of checking that adjusting keys, wrenches, etc. are removed from the tool before turning it on.
16. **Do not overreach. Maintain control.** Keep proper footing and balance at all times. Maintain a firm grip. Use extra care when using tool on ladders, roofs, scaffolds, etc.
17. **Use safety equipment.** Everyone in the work area should **wear safety goggles or glasses with side shields** complying with current safety standards. Everyday eyeglasses only have impact resistant lenses. They are not safety glasses. Wear hearing protection during extended use and a dust mask for dusty operations. Hard hats, face shields, safety shoes, etc. should be used when specified or necessary. Keep a fire extinguisher nearby.
18. **Keep guards in place** and in working order.
19. **Never stand on tool.** Serious injury could occur if the tool is tipped or if the cutting tool is unintentionally contacted.
20. **Keep hands away from all cutting edges and moving parts.**

TOOL USE AND CARE

21. **Secure work.** Use a clamp, vise or other practical means to hold your work securely, freeing both hands to control the tool.
22. **Do not force tool.** Your tool will perform best at the rate for which it was designed. Excessive force only causes operator fatigue, increased wear and reduced control.
23. **Use the right tool.** Do not use a tool or attachment to do a job for which it is not recommended. For example, do not use a circular saw to cut tree limbs or logs. Do not alter a tool.
24. **Unplug tool** when it is not in use, before changing accessories or performing recommended maintenance.
25. **Store idle tools.** When not in use, store your tool in a dry, secured place. Keep out of reach of children.
26. **Never leave the tool running unattended.** Turn power off. Do not leave the tool until it comes to a complete stop.
27. **Check for damaged parts.** Inspect guards and other parts before use. Check for misalignment, binding of moving parts, improper mounting, broken parts and any other conditions that may affect operation. If abnormal noise or vibration occurs, turn the tool off immediately and have the problem corrected before further use. Do not use a damaged tool. Tag damaged tools "DO NOT USE" until repaired. A guard or other damaged part should be properly repaired or replaced by a *MILWAUKEE* service facility. For all repairs, insist on only identical replacement parts.

28. **Use proper accessories.** Consult this manual for recommended accessories. Using improper accessories may be hazardous. Be sure accessories are properly installed and maintained. Do not defeat a guard or other safety device when installing an accessory or attachment.
29. **Maintain tools carefully.** Keep handles dry, clean and free from oil and grease. Keep cutting edges sharp and clean. Follow instructions for lubricating and changing accessories. Periodically inspect tool cords and extension cords for damage. Have damaged parts repaired or replaced by a *MILWAUKEE* service facility.
30. **Maintain labels & nameplates.** These carry important information. If unreadable or missing, contact a *MILWAUKEE* service facility for a free replacement.

SERVICE

31. **Tool service must be performed only by qualified repair personnel.** Service or maintenance performed by unqualified personnel may result in a risk of injury.
32. **When servicing a tool, use only identical replacement parts. Follow instructions in the maintenance section of this manual.** Use of unauthorized parts or failure to follow maintenance instructions may create a risk of shock or injury.

SPECIFIC SAFETY INSTRUCTIONS - ABRASIVE CUT-OFF MACHINES



WARNING!

To reduce the risk of injury, avoid inhalation of dust generated by grinding and cutting operations. Exposure to dust may cause respiratory ailments. Use approved NIOSH or OSHA respirators, safety glasses or face shields, gloves and protective clothing. Provide adequate ventilation to eliminate dust, or to maintain dust level below the Threshold Limit Value for nuisance dust as classified by OSHA.

WARNING! Some dust created by power sanding, sawing, grinding, drilling, and other construction activities contains chemicals known to cause cancer, birth defects or other reproductive harm. Some examples of these chemicals are:

- lead from lead-based paint
- crystalline silica from bricks and cement and other masonry products, and
- arsenic and chromium from chemically-treated lumber.

Your risk from these exposures varies, depending on how often you do this type of work. To reduce your exposure to these chemicals: work in a well ventilated area, and work with approved safety equipment, such as those dust masks that are specially designed to filter out microscopic particles.

Wheel Instructions

1. Use only the edge (not the sides) of the wheel for cutting. Do not allow the wheel to twist or bind.
2. Keep hands and body away from the rotating wheel. Do not wear loose clothing when using this tool.
3. Store cut-off wheels with care. Do not drop them or subject them to excessive heat, cold or humidity.
4. Make sure that all wheel flanges and other mounting hardware are in good condition and are always used properly. Defective or missing parts may cause damage to the wheel. Always use mounting flanges supplied with the tool.
5. Cutting with a damaged wheel is very hazardous. After installing a new wheel, leave the tool unplugged and rotate the wheel by hand to see if it is uneven, warped, or cracked. If so, discard the wheel and replace it with a new one. Do not use a wheel that has been dropped; impact may result in breakage.
6. Before starting a cut, step out of line of the wheel and make a trial run to confirm that the wheel is in good condition. Trial run periods are:
When replacing a cut-off wheel — over 3 minutes.
When starting routine work — over 1 minute.
7. Never try to remove or clamp the workpiece to the tool while the cut-off wheel is rotating.
8. Before installing a cut-off wheel, always inspect it for cracks. Visually check resinoid and rubber-bonded wheels for cracks. Replace cracked wheel immediately.
9. Always check maximum operating speed established for wheel against machine speed. Do not exceed the maximum operating speed that is marked on the wheel.

10. Do not force a wheel onto the machine or alter the size of the arbor hole. Do not use a wheel that fits the arbor too loosely. If the wheel doesn't fit the machine, get one that does.
11. Do not attempt to install toothed blades on this tool because it is not designed for this type of blade.
12. Do not overtighten FIXTEC nut. Hand tighten only.







Machine Instructions

1. Start cutting only after the motor has reached full speed.
2. Release switch immediately if the cut-off wheel stops rotating or if the motor sounds like it is straining.
3. Keep flammable and fragile objects away from this tool. Do not allow cut-off sparks to contact the operator's hands, face or feet.
4. Place the tool securely on a flat, level surface.
5. Always use the tool with the proper voltage specified on the tool's nameplate.
6. Never touch a short cut-off piece until it cools.
7. Never attempt to cut material larger than the rated capacity listed in "Specifications".
8. Never stand in line with the wheel while cutting. Always stand to the side.
9. Always keep guards in place.
10. Always start the cut gently. Do not bump or bang a wheel to start a cut.
11. Never make any freehand cuts. Always place the workpiece between the vise and fence when making cuts.

Cut-Off Machine Specifications

Cat. No.	Wheel Size	RPM	Volts AC/DC	Amps	Arbor Hole Size	Workpiece Configurations (Cross-Section)		
						Rectangular Stock	O.D. Pipe	Square Tubing
6180-20	14"	3900	120	15	1"	4" x 7-1/2"	5-3/8"	5" x 5"

Symbology

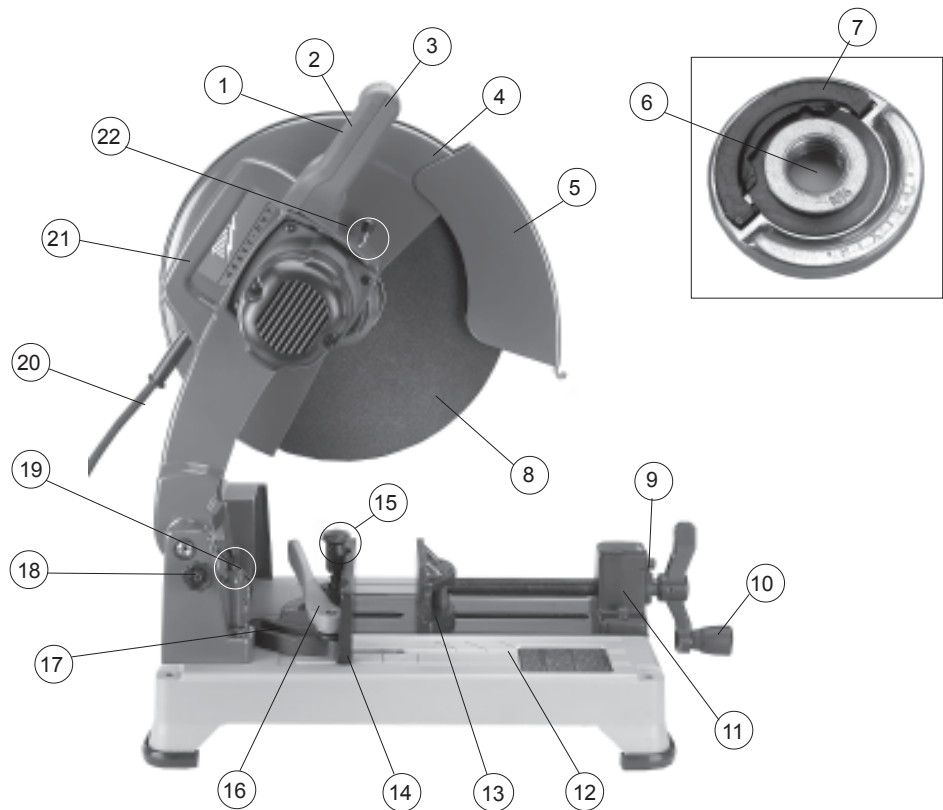
	Double Insulated
	Volts Alternating Current/ Direct Current
	Amps
	No Load Revolutions per Minute (RPM)
	Underwriters Laboratories, Inc.
	Canadian Standards Association

Cut-Off Wheel Specifications

Wheel Size	Min. Wheel RPM Rating	Wheel Thickness	Arbor Hole Size
14"	4300	3/32"	1"

FUNCTIONAL DESCRIPTION

1. Trigger
2. Lock-out hole (not shown)
3. Handle
4. Stationary guard
5. Moveable guard
6. FIXTEC nut
7. Hinged latch
8. Abrasive cut-off wheel
9. Quick release lever
10. Vise handle
11. Vise
12. Base
13. Vise plate
14. Quick adjust fence
15. Spring loaded fence bolt
16. Fence lock lever
17. Angle indicator
18. Transport lock
19. Depth adjustment bolt
20. Cord
21. Transport handle
22. Spindle lock lever



GROUNDING



WARNING!

Improperly connecting the grounding wire can result in the risk of electric shock. Check with a qualified electrician if you are in doubt as to whether the outlet is properly grounded. Do not modify the plug provided with the tool. Never remove the grounding prong from the plug. Do not use the tool if the cord or plug is damaged. If damaged, have it repaired by a MILWAUKEE service facility before use. If the plug will not fit the outlet, have a proper outlet installed by a qualified electrician.

Grounded Tools:

Tools with Three Prong Plugs

Tools marked "Grounding Required" have a three wire cord and three prong grounding plug. The plug must be connected to a properly grounded outlet (See Figure A). If the tool should electrically malfunction or break down, grounding provides a low resistance path to carry electricity away from the user, reducing the risk of electric shock.

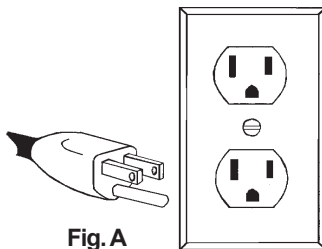


Fig. A

The grounding prong in the plug is connected through the green wire inside the cord to the grounding system in the tool. The green wire in the cord must be the only wire connected to the tool's grounding system and must never be attached to an electrically "live" terminal.

Your tool must be plugged into an appropriate outlet, properly installed and grounded in accordance with all codes and ordinances. The plug and outlet should look like those in Figure A.

Double Insulated Tools:

Tools with Two Prong Plugs

Tools marked "Double Insulated" do not require grounding. They have a special double insulation system which satisfies OSHA requirements and complies with the applicable standards of Underwriters Laboratories, Inc., the Canadian Standard Association and the National Electrical Code. Double Insulated tools may be used in either of the 120 volt outlets shown in Figures B and C.

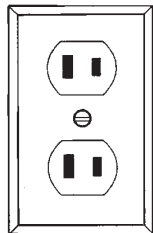


Fig. B

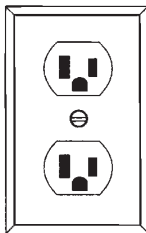


Fig. C

EXTENSION CORDS

Grounded tools require a three wire extension cord. Double insulated tools can use either a two or three wire extension cord. As the distance from the supply outlet increases, you must use a heavier gauge extension cord. Using extension cords with inadequately sized wire causes a serious drop in voltage, resulting in loss of power and possible tool damage. Refer to the table shown to determine the required minimum wire size.

The smaller the gauge number of the wire, the greater the capacity of the cord. For example, a 14 gauge cord can carry a higher current than a 16 gauge cord. When using more than one extension cord to make up the total length, be sure each cord contains at least the minimum wire size required. If you are using one extension cord for more than one tool, add the nameplate amperes and use the sum to determine the required minimum wire size.

Guidelines for Using Extension Cords

- If you are using an extension cord outdoors, be sure it is marked with the suffix "W-A" ("W" in Canada) to indicate that it is acceptable for outdoor use.
- Be sure your extension cord is properly wired and in good electrical condition. Always replace a damaged extension cord or have it repaired by a qualified person before using it.
- Protect your extension cords from sharp objects, excessive heat and damp or wet areas.

Recommended Minimum Wire Gauge for Extension Cords*

Nameplate Amperes	Extension Cord Length					
	25'	50'	75'	100'	150'	200'
0 - 5	16	16	16	14	12	12
5.1 - 8	16	16	14	12	10	--
8.1 - 12	14	14	12	10	--	--
12.1 - 15	12	12	10	10	--	--
15.1 - 20	10	10	10	--	--	--

* Based on limiting the line voltage drop to five volts at 150% of the rated amperes.

READ AND SAVE ALL INSTRUCTIONS FOR FUTURE USE.

OPERATION



WARNING!

To reduce the risk of injury, always unplug tool before attaching or removing accessories. Use only specifically recommended accessories. Others may be hazardous.

Using the Transport Lock

The transport lock secures the handle for transporting and storing the tool. To release the transport lock, push down the handle and pull out the transport lock. To lock the transport lock, push down the handle and push in the transport lock.



WARNING!

To reduce the risk of injury, do not use the FIXTEC nut on any other tool. The FIXTEC nut is specifically designed for this application and may be hazardous when used on other tools.

Using the FIXTEC Nut

The FIXTEC nut allows for wheel changes without tools. To use the FIXTEC nut, pull out the hinged latch and spin off the nut. To replace the nut, hand tighten the nut until it is secure. Do not over tighten the nut. This may damage the wheel and the flanges. When the nut is tight, snap the hinged latch back into position. Make sure the hinged latch is down before using the tool.

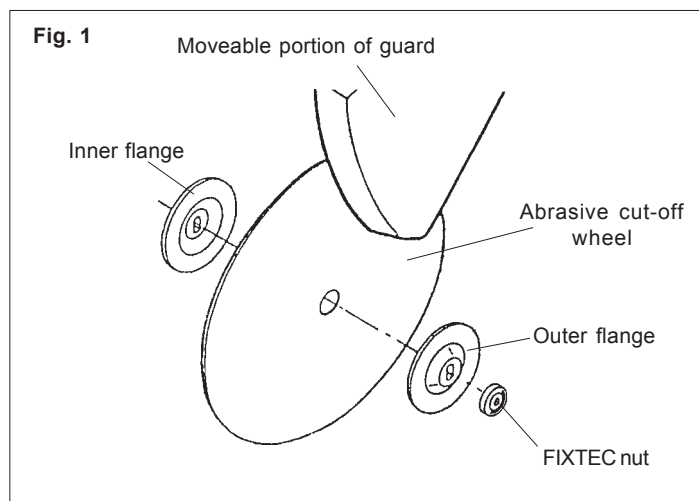


WARNING!

To reduce the risk of injury, use only the proper TYPE 1 wheels made for this machine. DO NOT USE TOOTHED BLADES.

Removing and Installing Cut-Off Wheels (Fig. 1)

The cut-off machine is supplied with the abrasive cut-off wheel installed. MILWAUKEE recommends using only MILWAUKEE 14" Abrasive Cut-Off Wheels, 3/32" wide with this tool. Before operating the tool, make sure the wheel is in good condition as described in the "Specific Safety Instructions - Abrasive Cut-Off Machines".



To change wheels:

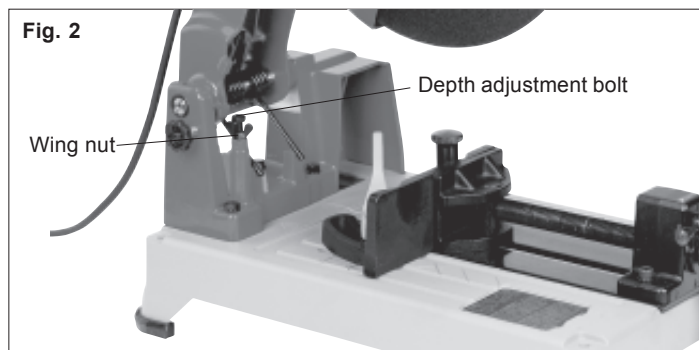
1. Unplug tool.
2. Release the transport lock.

3. Pull back the moveable portion of the guard to expose the wheel arbor and FIXTEC nut.
Press down the spindle lock lever and loosen the FIXTEC nut (counterclockwise).
4. Remove the FIXTEC nut, outer flange and cut-off wheel.
5. Check the two (2) wheel flanges to be sure they are in good condition. Remove any nicks or burrs, which could cause uneven cutting pressure and result in wheel damage.
6. Install the cut-off wheel, outer flange and FIXTEC nut (Fig. 1).
7. Press down the spindle lock lever while tightening the FIXTEC nut (clockwise).
NOTE: Hand tighten the FIXTEC nut firmly, but do not use excessive pressure. Overtightening the FIXTEC nut may damage the wheel and flanges. Do not use any tool to tighten the FIXTEC nut. Hand tighten only.
8. Check the wheel for free rotation after installation.
9. Allow the moveable portion of the guard to return to its original position.
10. Before starting a cut, step back and out of line from the tool wheel and make a trial run to confirm that the wheel is in good condition. When replacing a cut-off wheel, run the tool for over 3 minutes. When starting routine work, run the tool for over 1 minute.

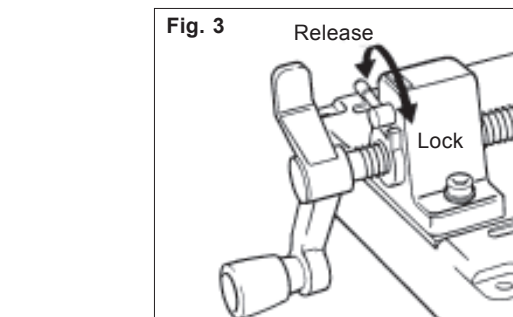
Adjusting the Depth of Cut (Fig. 2)

Use the depth adjustment to change the depth of cut. When adjusted properly, the depth adjustment bolt prevents the cut-off wheel from contacting the surface under the base during cutting. Cut-off wheels wear down as they are used and the depth of cut may need to be increased.

1. To adjust the depth of cut, loosen the wing nut.
2. Turn the depth adjustment bolt to achieve the desired depth of cut.
3. Tighten the wing nut.



Using the Quick Release Lever (Fig. 3)

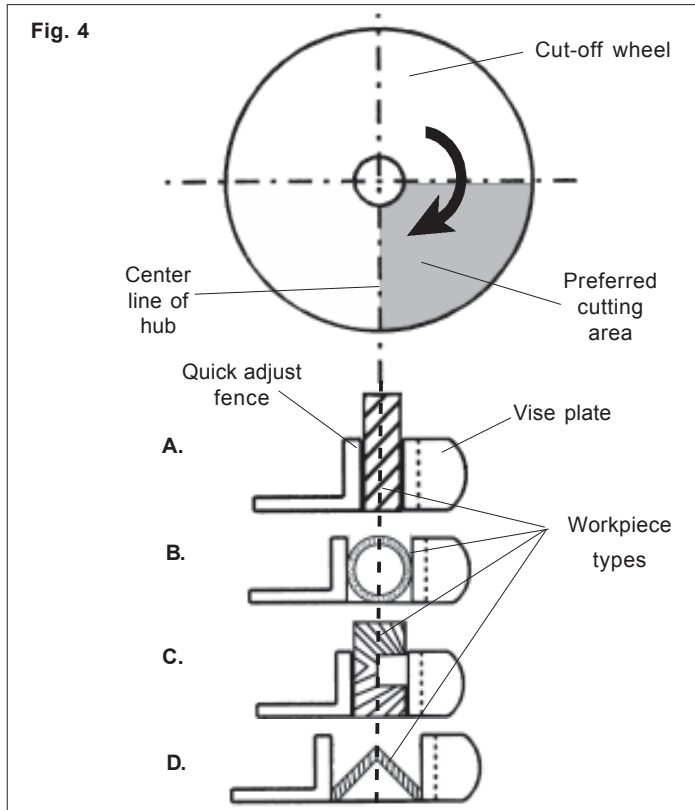


1. To release the quick release lever, rotate the lever fully to the left.
2. To lock the quick release lever, rotate the lever fully to the right.

Supporting the Workpiece and Adjusting the Vise and Fence System (Figs. 4 & 5)

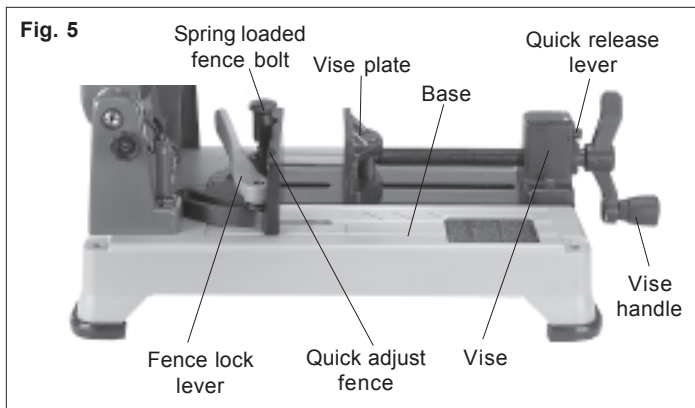
The adjustable vise and fence system holds the workpiece in the desired position. The vise plate and fence can be moved backward or forward and can be adjusted to any angle between 90° and 45°.

When adjusting the system, the vise and fence should be positioned so the centerline of the wheel hub is in line with or behind the centerline of the workpiece, toward the rear of the tool (Fig. 4). The workpiece should be resting flush with the base of the cut-off machine.



To adjust the vise and fence system for a particular workpiece:

1. Rotate the quick release lever fully to the left to the "release" position. This will disengage the vise from the threads (Fig. 5).



2. Loosen the fence lock lever that holds the fence firmly in place.
3. Push down the spring loaded fence bolt and move the quick adjust fence into one of the three positions provided.
4. Release the spring loaded fence bolt. When properly engaged, the fence should click into position. If the fence is not fully engaged into position, manually move it back and forth until it clicks into place. If the fence does not click into place, repeat step 3.
5. Adjust the fence to the desired angle and tighten the fence lock lever.

6. Adjust the vise plate by moving the vise handle in or out as needed to fit the workpiece.
7. Rotate the quick release lever to the right to the "lock" position. This will engage the threads and lock the vise. To completely lock the vise, turn the vise handle clockwise until the workpiece is properly secured.

Selecting a Workpiece

The MILWAUKEE Abrasive Cut-Off Machine is designed to cut steel and concrete. It is not recommended for cutting wood or plastic. Do not attempt to install a toothed blade on the tool.

Starting and Stopping the Tool

1. Plug in the tool.
2. Stand out of the line of the wheel.
3. To start the tool, pull the trigger.
4. To stop the tool, release the trigger.



WARNING!

To reduce the risk of injury or damage to the tool, do not use the spindle lock lever to stop the spindle while the tool is in use or is coasting after shut-off.

Making a Cut

1. Unplug the tool.
2. Select a cutting angle and position the fence and vise assembly as needed, see "Supporting the Workpiece and Adjusting the Vise and Fence System".
3. Place the workpiece flat on top of the cut-off machine base. Position the thinnest section of the workpiece facing up. Turn the vise handle clockwise until the vise assembly holds the workpiece firmly in place.

NOTE: Make sure the quick release lever is fully rotated to the "lock" position.

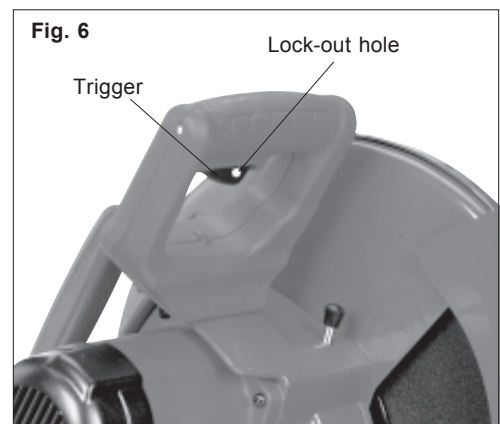
4. Plug in the tool, stand out of the line of the wheel and pull the trigger. Allow the motor to reach full speed. Slowly lower the wheel into the workpiece.

NOTE: Always start the cut gently; do not bang or bump a wheel when starting the cut. For the safest and most efficient cutting, make sure that the centerline of the blade hub is in line with or behind the centerline of the workpiece, toward the rear of the tool (Fig 4).

5. When the cut is complete, raise the wheel completely from the workpiece before releasing the trigger and allowing the motor to stop.

Using the Lock-out Hole (Fig. 6)

Insert a padlock through the trigger hole to prevent the tool from starting unintentionally.



MAINTENANCE



WARNING!

To reduce the risk of injury, always unplug your tool before performing any maintenance. Never disassemble the tool or try to do any rewiring on the tool's electrical system. Contact a **MILWAUKEE** service facility for ALL repairs.

Maintaining Tools

Keep your tool in good repair by adopting a regular maintenance program. Before use, examine the general condition of your tool. Inspect guards, switches, tool cord set and extension cord for damage. Check for loose screws, misalignment, binding of moving parts, improper mounting, broken parts and any other condition that may affect its safe operation. If abnormal noise or vibration occurs, turn the tool off immediately and have the problem corrected before further use. Do not use a damaged tool. Tag damaged tools "DO NOT USE" until repaired (see "Repairs").

Under normal conditions, relubrication is not necessary until the motor brushes need to be replaced. After six months to one year, depending on use, return your tool to the nearest **MILWAUKEE** service facility for the following:

- Lubrication
- Brush inspection and replacement
- Mechanical inspection and cleaning (gears, spindles, bearings, housing, etc.)
- Electrical inspection (switch, cord, armature, etc.)
- Testing to assure proper mechanical and electrical operation



WARNING!

To reduce the risk of injury, electric shock and damage to the tool, never immerse your tool in liquid or allow a liquid to flow inside the tool.

Cleaning

Clean dust and debris from vents. Keep the tool handles clean, dry and free of oil or grease. Use only mild soap and a damp cloth to clean your tool since certain cleaning agents and solvents are harmful to plastics and other insulated parts. Some of these include: gasoline, turpentine, lacquer thinner, paint thinner, chlorinated cleaning solvents, ammonia and household detergents containing ammonia. Never use flammable or combustible solvents around tools.

Repairs

If your tool is damaged, return the entire tool to the nearest service center.

ACCESSORIES



WARNING!

To reduce the risk of injury, always unplug the tool before attaching or removing accessories. Use only specifically recommended accessories. Others may be hazardous.

For a complete listing of accessories refer to your **MILWAUKEE** Electric Tool catalog or go on-line to www.milwaukeetool.com. To obtain a catalog, contact your local distributor or a service center.

FIVE YEAR TOOL LIMITED WARRANTY

Every **MILWAUKEE** tool is tested before leaving the factory and is warranted to be free from defects in material and workmanship. **MILWAUKEE** will repair or replace (at **MILWAUKEE**'s discretion), without charge, any tool (including battery chargers) which examination proves to be defective in material or workmanship from five (5) years after the date of purchase. Return the tool and a copy of the purchase receipt or other proof of purchase to a **MILWAUKEE** Factory Service/Sales Support Branch location or **MILWAUKEE** Authorized Service Station, freight prepaid and insured. This warranty does not cover damage from repairs made or attempted by other than **MILWAUKEE** authorized personnel, abuse, normal wear and tear, lack of maintenance, or accidents.

Battery Packs, Flashlights, and Radios are warranted for one (1) year from the date of purchase.

THE REPAIR AND REPLACEMENT REMEDIES DESCRIBED HEREIN ARE EXCLUSIVE. IN NO EVENT SHALL **MILWAUKEE** BE LIABLE FOR ANY INCIDENTAL, SPECIAL, OR CONSEQUENTIAL DAMAGES, INCLUDING LOSS OF PROFITS.

THIS WARRANTY IS EXCLUSIVE AND IN LIEU OF ALL OTHER WARRANTIES, OR CONDITIONS, WRITTEN OR ORAL, EXPRESSED OR IMPLIED FOR MERCHANTABILITY OR FITNESS FOR PARTICULAR USE OR PURPOSE.

This warranty gives you specific legal rights. You may also have other rights that vary from state to state and province to province. In those states that do not allow the exclusion of implied warranties or limitation of incidental or consequential damages, the above limitations or exclusions may not apply to you. This warranty applies to the United States, Canada, and Mexico only.

RÈGLES DE SÉCURITÉ GÉNÉRALES



AVERTISSEMENT!

VOUS DEVEZ LIRE ET COMPRENDRE TOUTES LES INSTRUCTIONS


Le non-respect, même partiel, des instructions ci-après entraîne un risque de choc électrique, d'incendie et/ou de blessures graves.

CONSERVEZ CES INSTRUCTIONS

AIRE DE TRAVAIL

1. **Conservez votre lieu de travail propre et bien éclairé.** Les endroits sombres et encombrés sont propices aux accidents.
2. **Évitez les milieux dangereux.** Ne vous servez pas de votre outil électrique sous la pluie ou dans les endroits mouillés ou humides, les atmosphères propices aux explosions (émanations de gaz, poussière ou substances inflammables). Faites disparaître les matériaux qui risquent d'être enflammés par les étincelles.
3. **Éloignez les spectateurs.** Les enfants et les spectateurs devraient être tenus à distance du lieu de travail, afin de ne pas déranger l'utilisateur et être à l'abri de tout contact avec l'outil et le cordon de rallonge.
4. **Protégez ceux qui se trouvent sur les lieux** des éclats et des étincelles. Installez des barrières ou des écrans protecteurs si nécessaire.
5. **Faites de votre atelier un lieu sécuritaire pour les enfants** on installant des cadenas, un interrupteur principal et en retirant les clés de démarrage.

SÉCURITÉ ÉLECTRIQUE

6. **Les outils mis à la terre doivent être branchés dans une prise de courant correctement installée et mise à la terre conformément à tous les codes et règlements pertinents. Ne modifiez jamais la fiche de quelque façon que ce soit, par exemple en enlevant la broche de mise à la terre. N'utilisez pas d'adaptateur de fiche. Si vous n'êtes pas certain que la prise de courant est correctement mise à la terre, adressez-vous à un électricien qualifié.** En cas de défaillance ou de défectuosité électrique de l'outil, une mise à la terre offre un trajet de faible résistance à l'électricité qui autrement risquerait de traverser l'utilisateur.
7. **Les outils à double isolation sont équipés d'une fiche polarisée (une des lames est plus large que l'autre), qui ne peut se brancher que d'une seule façon dans une prise polarisée. Si la fiche n'entre parfaitement dans la prise, inversez sa position ; si elle n'entre toujours pas bien, demandez à un électricien qualifié d'installer une prise de courant polarisée. Ne modifiez pas la fiche de l'outil.** La double isolation  élimine le besoin d'un cordon d'alimentation à trois fils avec mise à la terre ainsi que d'une prise de courant mise à la terre.
8. **Protégez-vous des chocs électriques.** Évitez tout contact avec les surfaces mises à la terre tels les radiateurs, cuisinières et réfrigérateurs. Lorsque vous enfoncez l'outil à l'aveuglette au travers d'un matériau assurez-vous d'abord qu'il n'y pas de câbles électriques ou de tuyaux. Tenez l'outil par ses parties isolées non métalliques. Employez un coupe-circuit relié à la masse (GFCI) pour réduire les risques de choc.
9. **N'exposez pas l'outil aux intempéries et ne vous en servez pas dans les endroits humides.**
10. **Ne maltraitez pas le cordon. Ne transportez pas l'outil par son cordon et ne débranchez pas la fiche en tirant sur le cordon. N'exposez pas le cordon à la chaleur, à des huiles, à des arêtes vives ou à des pièces en mouvement. remplacez immédiatement un cordon endommagé.** Un cordon endommagé augmente le risque de choc électrique.

SÉCURITÉ DES PERSONNES

11. **Familiarisez-vous avec votre outil électrique.** Lisez attentivement ce manuel pour apprendre les applications, limitations et risques inhérent au maniement de ce genre d'outil.
12. **Restez alerte, concentrez-vous sur votre travail et faites preuve de jugement. N'utilisez pas un outil électrique si vous êtes fatigué ou sous l'influence de drogues, d'alcool ou de médicaments.** Un instant d'inattention suffit pour entraîner des blessures graves.
13. **Habillez-vous correctement.** Ne portez ni vêtements amples ni bijoux. Portez un casque protecteur pour contenir les longs cheveux et les empêcher de se prendre dans les pièces en mouvement. Si vous travaillez à l'extérieur, portez des gants de caoutchouc et des chaussures à semelles antidérapantes. Tenez vos mains ou vos gants à l'écart des pièces en mouvement.
14. **Réduisez les risques de démarrage accidentel.** Assurez-vous que votre outil est à la position d'arrêt « OFF » avant de le brancher. N'utilisez pas un outil dont l'interrupteur ne fonctionne pas normalement. Ne transportez pas un outil branché en gardant les doigts sur la détente.
15. **Retirez les clés de réglage.** Prenez l'habitude de vérifier si les clés de réglage et autres outils sont retirés de l'outil avant de le mettre en marche.
16. **Ne dépassez pas les limites, contrôlez l'outil.** Gardez les pieds bien en place et assurez votre équilibre. Tenez l'outil fermement. Soyez très prudent si vous utilisez l'outil dans une échelle, sur un toit, un échafaud, etc.
17. **Employez de l'équipement de sécurité.** Toutes les personnes présentes dans l'aire de travail devraient **porter des lunettes de protection ou à coques latérales** conformes aux normes de sécurité en vigueur. Les lunettes ordinaires peuvent être pourvues de verres résistants, mais elles ne sont pas sécuritaires. Portez des protecteurs d'oreilles pour les tâches prolongées et un masque facial contre la poussière. Un casque rigide, un masque facial, des chaussures de sécurité, etc. devraient être utilisés lorsque la situation l'exige. Gardez un extincteur d'incendie à portée de la main.
18. **Maintenez les gardes en place** et en bon état.
19. **Ne vous appuyez jamais sur l'outil.** De graves blessures pourraient résulter du renversement de l'outil ou de son démarrage accidentel.
20. **Tenez les mains à l'écart des arêtes tranchantes et des pièces en mouvement.**

UTILISATION ET ENTRETIEN DES OUTILS

21. **Assujettissez l'ouvrage.** Employez une fixation, pince-étau ou autre dispositif approprié pour maintenir solidement l'ouvrage et libérer vos deux mains pour le maniement de l'outil.
22. **Ne forcez pas l'outil.** Votre outil fournira un meilleur rendement si vous l'employez comme il doit l'être. Un usage excessif, en plus de fatiguer l'utilisateur, augmentera l'usure de l'outil et rendra son maniement plus difficile.
23. **Employez l'outil approprié.** N'utilisez pas un outil ou un accessoire non approprié à la tâche. Par exemple, on ne doit pas employer une scie circulaire pour tailler un arbre ou scier des bûches. N'altérez pas l'outil.
24. **Débranchez l'outil** lorsque vous ne vous en servez pas ou avant d'en changer les accessoires ou d'en effectuer l'entretien.

25. **Rangez les outils que vous n'utilisez pas** au sec dans un endroit sûr, hors de la portée des enfants.
26. **Ne laissez jamais l'outil en marche sans surveillance.** Avant de vous en éloigner, coupez le courant et attendez qu'il soit complètement arrêté.
27. **Décelez les pièces défectueuses.** Avant de vous servir de l'outil, inspectez les gardes et les autres pièces. Vérifiez l'alignement et le jeu des pièces mobiles, les vices de montage, bris de pièces et toute autre condition pouvant nuire au bon fonctionnement de l'outil. Si un bruit ou une vibration insolite survient, arrêtez immédiatement l'outil et faites-le vérifier avant de vous en servir de nouveau. N'utilisez pas un outil défectueux. Fixez-y une étiquette marquée « HORS D'USAGE » jusqu'à ce qu'il soit réparé. Si une garde ou une autre pièce est défectueuse, elle devrait être réparée ou remplacée dans un centre de service MILWAUKEE accrédité. Insistez pour obtenir des pièces de rechange identiques.
28. **Employez les accessoires appropriés.** Consultez ce manuel pour connaître quels accessoires utiliser. L'emploi d'accessoires autres que ceux qui sont recommandés peut comporter des risques. Assurez-vous que les accessoires sont correctement installés et entretenus. Ne dérangez pas un garde ou autre dispositif de sécurité lorsque vous installez un accessoire.
29. **Prenez soin de l'outil.** Gardez les poignées propres, sèches et exemptes d'huile ou de graisse. Maintenez les tranchants propres et vifs. Suivez les instructions de graissage et d'installation des accessoires. Inspectez périodiquement le cordon de l'outil et le cordon de rallonge. Faites réparer ou remplacer les pièces défectueuses à un centre de service MILWAUKEE accrédité.
30. **Entretenez les étiquettes et marques du fabricant.** Les indications qu'elles contiennent sont précieuses. Si elles deviennent illisibles ou si elles se détachent, faites-les remplacer gratuitement à un centre de service MILWAUKEE accrédité.

RÉPARATION

31. **La réparation des outils électriques doit être confiée à un réparateur qualifié.** L'entretien ou la réparation d'un outil électrique par un amateur peut avoir des conséquences graves.
32. **Pour la réparation d'un outil, n'employez que des pièces de rechange d'origine. Suivez les directives données à la section « réparation » de ce manuel.** L'emploi de pièces non autorisées ou le non-respect des instructions d'entretien peut créer un risque de choc électrique ou de blessures.

MESURES DE SÉCURITÉ SPÉCIALES - LES TRONÇONNEUSES



AVERTISSEMENT!

Pour minimiser les risques de blessures, évitez d'inhaler la poussière dégagée par le disque abrasif. L'exposition à la poussière peut causer des malaises respiratoires. Utilisez un masque respiratoire approuvé par NIOSH ou OSHA, des lunettes de protection ou un masque facial, des gants et vêtements protecteurs. Assurez une ventilation adéquate pour évacuer la poussière ou en contenir le niveau sous le seuil admissible d'exposition (SAE) selon la classification OSHA.

AVERTISSEMENT! La poussière dégagée par perçage, sciage et autres travaux de construction contient des substances chimiques reconnues comme pouvant causer le cancer, des malformations congénitales ou d'autres troubles de reproduction. Voici quelques exemples de telles substances :

- Le plomb contenu dans la peinture au plomb.
- Le silice cristallin contenu dans la brique, le béton et divers produits de maçonnerie.
- L'arsenic et le chrome servant au traitement chimique du bois.

Les risques associés à l'exposition à ces substances varient, dépendant de la fréquence des travaux. Afin de minimiser l'exposition à ces substances chimiques, assurez-vous de travailler dans un endroit bien aéré et d'utiliser de l'équipement de sécurité tel un masque antipoussière spécifiquement conçu pour la filtration de particules microscopiques.

Instructions relatives aux disques

1. Faites la coupe avec le tranchant et non le flanc du disque abrasif. Évitez le gauchissement et le coincement du disque.
2. Tenez les mains et le corps à l'écart du disque en mouvement. Ne portez pas de vêtements amples lorsque vous vous servez de cet outil.
3. Rangez les disques à tronçonner avec soin. Évitez de les laisser tomber et gardez-les à l'abri de la grande chaleur, du froid ou de l'humidité.
4. Assurez-vous que les brides de disques et les autres pièces de montage sont en bonne condition et correctement montés. Une pièce manquante ou une pièce en mauvais état peuvent endommager le disque à tronçonner. Utilisez toujours les brides de montages qui accompagnent l'outil.
5. Couper à l'aide d'un disque en mauvais état est très dangereux. Après avoir installé un nouveau disque, laissez l'outil débranché et faites tourner le disque pour déceler tout gauchissement, craquellement ou autre imperfection. Si le disque est en mauvais état, remplacez-le par un disque neuf. N'employez pas un disque qui a subi un choc car il pourrait être fragile et se briser durant la coupe.
6. Avant de commencer une coupe, écartez-vous de l'outil et laissez tourner le disque pour vérifier s'il est en bonne condition. La durée de la marche d'essai doit être :
 - Au moins 3 minutes lors du remplacement d'un disque à tronçonner.
 - Au moins 1 minute avant de commencer un travail routinier.
7. N'essayez jamais d'enlever un matériau de l'outil ni de l'y fixer tandis que le disque est en mouvement.
8. Avant d'installer un disque sur l'outil, inspectez-le pour y déceler les craquellements. Examinez les disques à composition de plastique ou de caoutchouc pour en déceler les fissures. Avant d'installer un disque sur l'outil, inspectez-le pour y déceler les craquellements. Examinez les disques à composition de plastique ou de caoutchouc pour en déceler les fissures. Remplacez immédiatement tout disque fissuré.
9. Comparez la vitesse de rotation maximale pour laquelle le disque est calibré avec la rotation maximale indiquée sur la fiche de l'outil et n'utilisez pas un disque de calibre inférieur.
10. Ne forcez pas le disque sur le pivot de l'outil et n'en altérez pas le trou d'arbre. N'employez pas un disque dont le trou d'arbre est trop grand. Si un disque ne s'adapte pas parfaitement à l'outil, changez-le pour un qui s'adapte.
11. N'essayez pas d'installer des lames dentées sur cet outil, car il n'est pas conçu pour ce type de lame.
12. Ne serrez pas trop fort l'écrou FIXTEC. Serrez seulement à la main.

Instructions relatives à l'outil







1. Commencez la coupe seulement après que le moteur a atteint son plein régime.
2. Relâchez immédiatement la commande si le disque à tronçonner s'arrête ou si le moteur semble surchargé.
3. Gardez les produits inflammables et les objets fragiles à l'écart de l'outil. Ne laissez pas les étincelles venir en contact avec les mains, la figure et les pieds.

4. Installez l'outil solidement sur une surface plane et de niveau.
5. Branchez l'outil sur une prise dont le voltage est conforme à celui qui est indiqué sur sa fiche signalétique.
6. Ne touchez pas aux tronçons tant qu'ils ne sont pas refroidis.
7. N'essayez jamais de couper un matériau d'une jauge supérieure à la capacité décrite à la section « Spécifications ».
8. Ne vous postez pas dans le sillage du disque, postez-vous sur le côté.
9. Laissez toujours les gardes en place.
10. Commencez la coupe délicatement. Ne heurtez pas le matériau avec le disque en commençant une coupe.
11. Ne faites pas de coupes en tenant le matériau seulement avec les mains, fixez toujours le matériau à couper entre le régleur et l'étau.

Spécifications de la machine à tronçonner

No de Cat.	Taille de la meule (14")	T/Min.	Volts CA/CD	Ampères	Dim. trou d'arbre (1")	Configuration de la pièce (Coupe transversale)		
						Matériaux rectangulaires	Diam. ext. du tuyau (5-3/8")	Tuyaux carrés (5" x 5")
6180-20	355 mm (14")	3 900	120	15	25 mm (1")	101 mm x 190 mm (4" x 7-1/2")	136 mm (5-3/8")	127 mm x 127 mm (5" x 5")

Pictographie

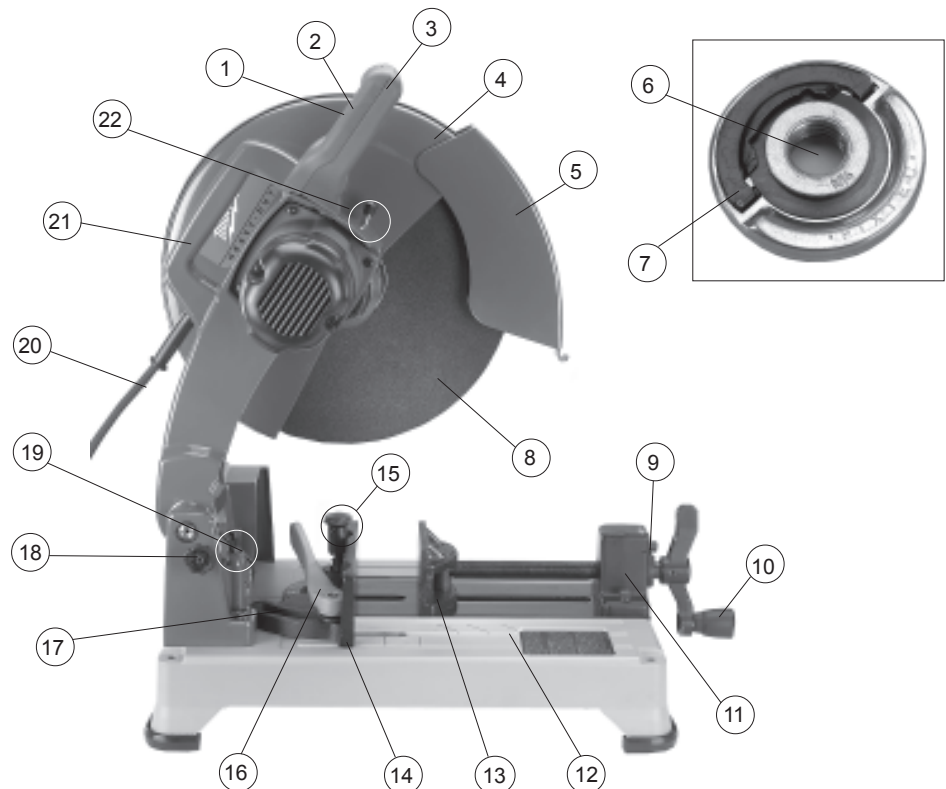
	Double Isolation
	Courant alternatif ou direct
	Ampères
	Tours-minute à vide (RPM)
	Underwriters Laboratories, Inc.
	l'Association canadienne de normalisation (ACNOR)

Capacité du Disque à Tronçonner

Dim. du disque (14")	Calibre Minimal T/Min. Meule	Épaisseur du disque (3/32")	Dim. trou d'arbre (1")
355 mm (14")	4 300	2 mm (3/32")	25 mm (1")

DESCRIPTION FONCTIONNELLE

1. Gâchette
2. Verrouille-hors trou (non illustré)
3. Poignée
4. Protection fixe
5. Protection mobile
6. Écrou FIXTEC
7. Loquet articulé
8. Meule abrasive à tronçonner
9. Levier à dégagement rapide
10. Poignée de l'étau
11. Étau
12. Base
13. Plaque de l'étau
14. Guide à réglage rapide
15. Boulon à ressort du guide
16. Levier à verrou du guide
17. Indicateur d'angle
18. Verrou de transport
19. Boulon de réglage de profondeur
20. Cordon
21. Poignée de transport
22. Levier à verrou de la broche



MISE À LA TERRE



Si le fil de mise à la terre est incorrectement raccordé, il peut en résulter des risques de choc électrique. Si vous n'êtes pas certain que la prise dont vous vous servez est correctement mise à la terre, faites-la vérifier par un électricien. N'altérez pas la fiche du cordon de l'outil. N'enlevez pas de la fiche, la dent qui sert à la mise à la terre. N'employez pas l'outil si le cordon ou la fiche sont en mauvais état. Si tel est le cas, faites-les réparer dans un centre-service MILWAUKEE accrédité avant de vous en servir. Si la fiche du cordon ne s'adapte pas à la prise, faites remplacer la prise par un électricien.

Outils mis à la terre : Outils pourvus d'une fiche de cordon à trois dents

Les outils marqués « Mise à la terre requise » sont pourvus d'un cordon à trois fils dont la fiche a trois dents. La fiche du cordon doit être branchée sur une prise correctement mise à la terre (voir Figure A). De cette façon, si une défectuosité dans le circuit électrique de l'outil survient, le relais à la terre fournira un conducteur à faible résistance pour décharger le courant et protéger l'utilisateur contre les risques de choc électrique.

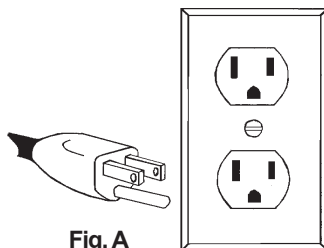


Fig. A

La dent de mise à la terre de la fiche est reliée au système de mise à la terre de l'outil via le fil vert du cordon. Le fil vert du cordon doit être le seul fil raccordé à un bout au système de mise à la terre de l'outil et son autre extrémité ne doit jamais être raccordée à une borne sous tension électrique.

Votre outil doit être branché sur une prise appropriée, correctement installée et mise à la terre conformément aux codes et ordonnances en vigueur. La fiche du cordon et la prise de courant doivent être semblables à celles de la Figure A.

Outils à double isolation : Outils pourvus d'une fiche de cordon à deux dents

Les outils marqués « Double Isolation » n'ont pas besoin d'être raccordés à la terre. Ils sont pourvus d'une double isolation conforme aux exigences de l'OSHA et satisfait aux normes de l'Underwriters Laboratories, Inc., de l'Association canadienne de normalisation (ACNOR) et du « National Electrical Code » (code national de l'électricité). Les outils à double isolation peuvent être branchés sur n'importe laquelle des prises à 120 volt illustrées ci-contre Figure B et C.

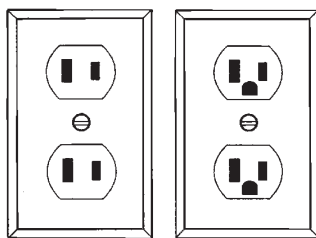


Fig. B

Fig. C

CORDONS DE RALLONGE

Si l'emploi d'un cordon de rallonge est nécessaire, un cordon à trois fils doit être employé pour les outils mis à la terre. Pour les outils à double isolation, on peut employer indifféremment un cordon de rallonge à deux ou trois fils. Plus la longueur du cordon entre l'outil et la prise de courant est grande, plus le calibre du cordon doit être élevé. L'utilisation d'un cordon de rallonge incorrectement calibré entraîne une chute de voltage résultant en une perte de puissance qui risque de détériorer l'outil. Reportez-vous au tableau ci-contre pour déterminer le calibre minimum du cordon.

Moins le calibre du fil est élevé, plus sa conductivité est bonne. Par exemple, un cordon de calibre 14 a une meilleure conductivité qu'un cordon de calibre 16. Lorsque vous utilisez plus d'une rallonge pour couvrir la distance, assurez-vous que chaque cordon possède le calibre minimum requis. Si vous utilisez un seul cordon pour brancher plusieurs outils, additionnez le chiffre d'intensité (ampères) inscrit sur la fiche signalétique de chaque outil pour obtenir le calibre minimal requis pour le cordon.

Directives pour l'emploi des cordons de rallonge

- Si vous utilisez une rallonge à l'extérieur, assurez-vous qu'elle est marquée des sigles « W-A » (« W » au Canada) indiquant qu'elle est adéquate pour usage extérieur.
- Assurez-vous que le cordon de rallonge est correctement câblé et en bonne condition. Remplacez tout cordon de rallonge détérioré ou faites-le remettre en état par une personne compétente avant de vous en servir.
- Tenez votre cordon de rallonge à l'écart des objets ranchants, des sources de grande chaleur et des endroits humides ou mouillés.

Calibres minimaux recommandés pour les cordons de rallonge*

Fiche signalétique Ampères	Longueur du cordon de rallonge (m)					
	7,6	15,2	22,8	30,4	45,7	60,9
0 - 5,0	16	16	16	14	12	12
5,1 - 8,0	16	16	14	12	10	--
8,1 - 12,0	14	14	12	10	--	--
12,1 - 15,0	12	12	10	10	--	--
15,1 - 20,0	10	10	10	--	--	--

* Basé sur une chute de voltage limite de 5 volts à 150% de l'intensité moyenne de courant.

**LISEZ ATTENTIVEMENT CES INSTRUCTIONS
ET CONSERVEZ-LES POUR LES
CONSULTER AU BESOIN.**



AVERTISSEMENT!

Pour réduire les risques de blessures, toujours débrancher l'outil avant de monter ou démonter des accessoires. Utiliser uniquement des accessoires spécifiquement recommandés pour cet outil. Tout autre type d'accessoire pourrait être dangereux.

Utilisation du verrou de transport

Le verrou de transport verrouille la poignée vers le bas pour permettre le transport et le rangement de l'outil. Pour dégager le verrou de transport, poussez la poignée vers le bas et tirez le verrou de transport. Pour verrouiller le verrou de transport, poussez la poignée vers le bas et poussez le verrou de transport.



AVERTISSEMENT!

Pour réduire les risques de blessures, ne pas utiliser un écrou FIXTEC sur d'autres outils. L'écrou FIXTEC est conçu spécialement pour cette application et pourrait s'avérer dangereux s'il est utilisé sur d'autres outils.

Utilisation de l'écrou FIXTEC

L'écrou FIXTEC permet de changer la meule sans l'aide d'outil. Pour utiliser l'écrou FIXTEC, tirez le loquet articulé vers l'extérieur et enlevez l'écrou. Pour remettre l'écrou en place, serrez-le à la main jusqu'à ce qu'il soit fixé solidement. Ne serrez pas trop l'écrou. Ceci pourrait endommager la meule et/ou la joue. Une fois l'écrou serré, enclenchez le loquet articulé dans sa position. Avant d'utiliser l'outil, assurez-vous que le loquet articulé est placé vers le bas.

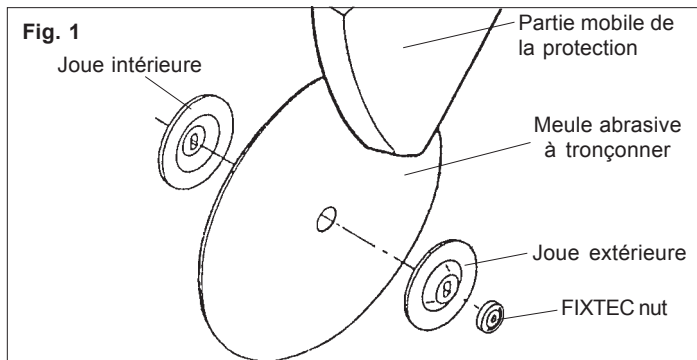


AVERTISSEMENT!

Pour réduire les risques de blessures, utiliser seulement des meules de TYPE 1 qui conviennent à cette machine. NE PAS UTILISER DE LAMES DENTÉES.

Dépose et installation des meules à tronçonner (Fig. 1)

La machine à tronçonner est fournie avec la meule abrasive à tronçonner déjà installée. MILWAUKEE recommande d'utiliser seulement des meules abrasives à tronçonner de 355 mm (14") de 2 mm (3/32") d'épaisseur avec cet outil. Avant d'utiliser l'outil, assurez-vous que la meule est en bon état, tel que décrit dans la section « Règles de sécurité particulières – Machines à tronçonner abrasives ».



Pour changer les meules :

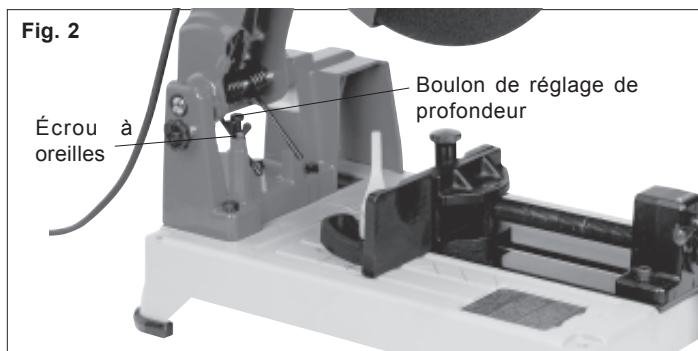
1. Débranchez l'outil.
2. Dégagez le verrou de transport.
3. Tirez vers l'arrière la portion mobile de la protection pour exposer l'arbre de la meule et l'écrou FIXTEC.
Appuyez vers le bas sur le levier à verrou de la broche et desserrez l'écrou FIXTEC (sens antihoraire).

4. Déposez l'écrou FIXTEC, la joue extérieure et la meule à tronçonner.
5. Vérifiez les deux (2) joues de la meule pour vous assurer qu'elles sont en bon état. Enlevez toute entaille ou bavure, qui pourrait entraîner une pression de coupe inégale et endommager la roue.
6. Installez la meule à tronçonner, la joue extérieure et l'écrou FIXTEC (Fig. 1).
7. Appuyez vers le bas sur le levier à verrou de la broche tout en serrant l'écrou FIXTEC (sens horaire).
N.B. : Serrez fermement, avec les doigts, l'écrou FIXTEC, mais n'exercez pas une pression excessive. Un serrage trop fort de l'écrou FIXTEC pourrait endommager la roue et les joues. Ne pas utiliser d'outil pour resserrer la noix de FIXTEC. La main resserre seulement.
8. Vérifier la roue la gratis rotation après l'installation.
9. Laissez la partie mobile de la protection revenir à sa position d'origine.
10. Avant de commencer une coupe, reculez de l'outil, placez-vous hors de sa ligne de coupe et effectuez un coup d'essai pour vous assurer que la meule est en bon état. Lorsque vous remplacez une meule à tronçonner, faites tourner l'outil pendant plus de trois minutes. Lorsque vous commencez un travail de routine, faites tourner l'outil pendant plus d'une minute.

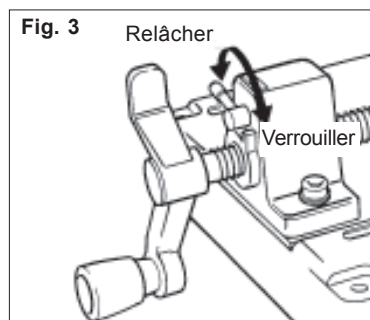
Réglage de la profondeur de coupe (Fig. 2)

Utilisez le réglage de profondeur pour changer la profondeur de coupe. Lorsqu'elle est réglée correctement, le boulon de réglage de profondeur de la meule à tronçonner l'empêche d'entrer en contact avec la surface sous la base pendant la coupe. Les meules à tronçonner s'usent à mesure qu'elles sont utilisées; il faut donc augmenter la profondeur de coupe.

1. Pour régler la profondeur de coupe, desserrez l'écrou à oreilles.
2. Faites tourner le boulon de réglage de profondeur pour obtenir la hauteur voulue.
3. Serrez l'écrou à oreilles.



L'utilisation du levier à dégagement rapide (Fig. 3)

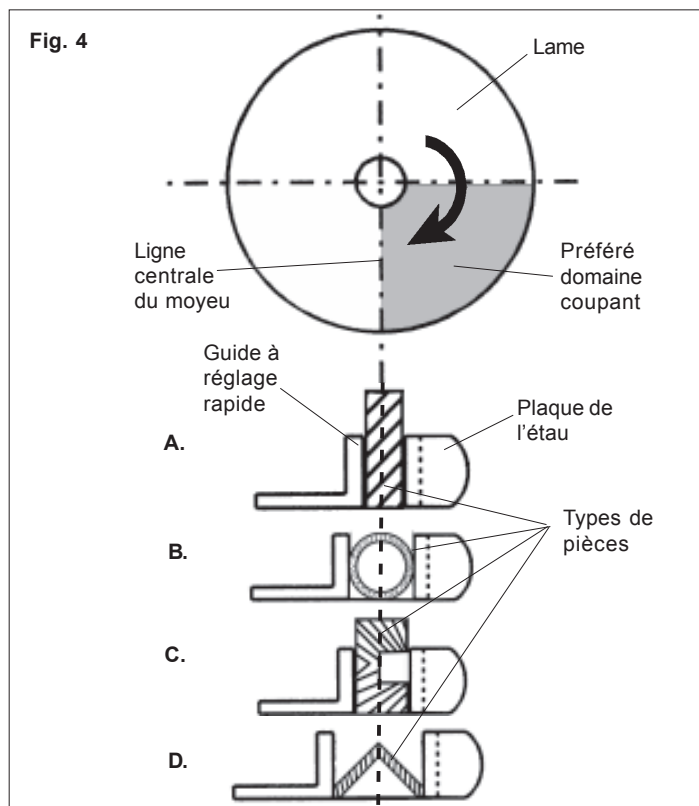


1. Pour relâcher le levier à dégagement rapide, tourner le levier entièrement à gauche.
2. Pour verrouiller le levier à dégagement rapide, tourner le levier entièrement à la droite.

Soutien de la pièce et réglage du système d'étau et de guide (Figs. 4 et 5)

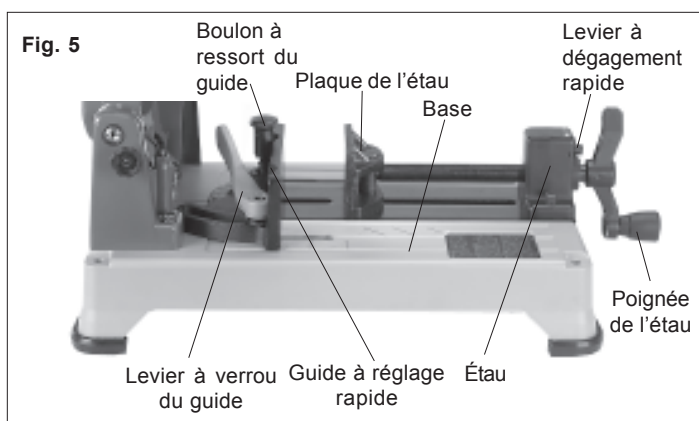
Le système d'étau et de guide réglables maintient la pièce dans la position voulue. La plaque de l'étau et le guide peuvent être avancés ou reculés et être réglés à un angle pouvant varier entre 90° et 45°.

En ajustant le système, l'étau et la clôture devrait être si disposé la ligne centrale du moyeu de roue est dans la ligne avec ou derrière la ligne centrale de la pièce de fabrication, vers l'arrière de l'outil (Fig. 4). La pièce doit être placée à égalité avec la base de la machine à tronçonner.



Pour régler le système d'étau et de guide sur une pièce particulière :

1. Faites tourner le levier à dégageur rapide complètement vers la gauche, à sa position de « dégageur ». L'étau est alors dégageur des filets (Fig. 5).



2. Desserrez le levier de verrouillage qui maintient le guide fermement en position.
3. Poussez vers le bas le boulon à ressort du guide et déplacez le guide à réglage rapide dans une des trois positions possibles.
4. Dégagez le boulon à ressort du guide. Lorsqu'il est correctement engagé, le guide doit s'enclencher en position. Si le guide n'est pas entièrement engagé dans sa position, déplacez-le manuellement vers l'avant et vers l'arrière jusqu'à ce qu'ils s'enclenche. Si le guide ne s'enclenche toujours pas, répétez l'étape 3.
5. Réglez le guide à l'angle voulu et serrez le levier à verrou du guide.

6. Réglez la plaque de l'étau en déplaçant la poignée de l'étau vers l'intérieur ou l'extérieur pour qu'elle s'ajuste à la pièce.
7. Faites tourner le levier à dégageur rapide vers la droite, à sa position de « verrouillage ». Ceci engage les filets et verrouille l'étau. Pour verrouiller complètement l'étau, tournez sa poignée dans le sens horaire jusqu'à ce que la pièce soit fixée correctement.

Sélection d'une pièce

La machine abrasive à tronçonner de **MILWAUKEE** est conçue pour couper de l'acier et du béton. Elle n'est pas recommandée pour la coupe du bois ou du plastique. N'essayez PAS d'installer une lame dentée sur l'outil.

Démarrage et arrêt de l'outil

1. Branchez l'outil.
2. Placez vous hors de la ligne de coupe de la meule.
3. Pour mettre l'outil en marche, appuyez sur la gâchette.
4. Pour arrêter l'outil, relâchez la gâchette.



AVERTISSEMENT!

Pour minimiser les risques de blessures, n'employez pas levier à verrou de la broche pour freiner la rotation de l'outil tandis qu'il est en usage qu'il tourne sur son axe.

Exécution d'une coupe

1. Débranchez l'outil.
2. Sélectionnez un angle de coupe et placez l'ensemble guide et étau selon le besoin, voir « Soutien de la pièce et réglage du système d'étau et de guide ».
3. Placez la pièce à plat sur la base de la meule à tronçonner. Disposer la section la plus mince de la pièce de fabrication orienté vers l'hauteur. Tournez la poignée de l'étau dans le sens horaire jusqu'à ce que l'ensemble maintienne la pièce fermement.

N.B. : Assurez-vous que le levier de dégageur rapide est complètement tourné à la position de « verrouillage ».

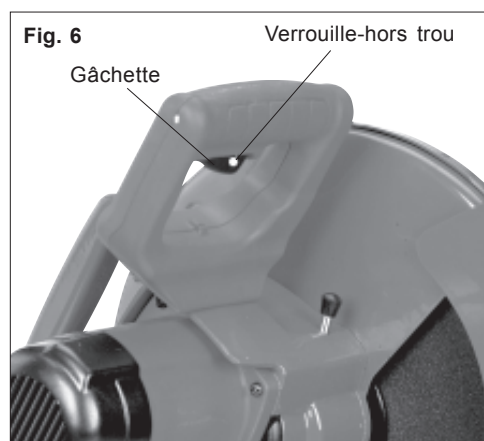
4. Branchez l'outil, placez-vous hors de la ligne de coupe de la meule et appuyez sur la gâchette. Laissez l'outil atteindre sa vitesse maximale. Abaissez lentement la meule dans la pièce.

N.B. : Commencez toujours à couper lentement, sans cogner la meule au départ de la coupe. Pour la coupe la plus sûre et la plus efficace, s'assure que la ligne centrale du moyeu de lame est dans la ligne avec ou derrière la ligne centrale de la pièce de fabrication, vers l'arrière de l'outil (Fig. 4).

5. Une fois la coupe terminée, relevez complètement la meule hors de la pièce avant de relâcher la gâchette et de laisser le moteur s'arrêter.

L'utilisation du Trou de Serrure-Hors (Fig. 6)

Insérer un cadenas par le trou de serrure-hors pour empêcher l'outil du commencer sans le vouloir.



MAINTENANCE



AVERTISSEMENT!

Pour minimiser les risques de blessures, débranchez toujours l'outil avant d'y effectuer des travaux de maintenance. Ne faites pas vous-même le démontage de l'outil ni le rebobinage du système électrique. Consultez un centre de service *MILWAUKEE* accrédité pour toutes les réparations.

Entretien de l'outil

Gardez l'outil en bon état en adoptant un programme d'entretien ponctuel. Avant de vous en servir, examinez son état en général. Inspectez-en la garde, interrupteur, cordon et cordon de rallonge pour en déceler les défauts. Vérifiez le serrage des vis, l'alignement et le jeu des pièces mobiles, les vices de montage, bris de pièces et toute autre condition pouvant en rendre le fonctionnement dangereux. Si un bruit ou une vibration insolite survient, arrêtez immédiatement l'outil et faites-le vérifier avant de vous en servir de nouveau. N'utilisez pas un outil défectueux. Fixez-y une étiquette marquée « HORS D'USAGE » jusqu'à ce qu'il soit réparé (voir « Réparations »).

Normalement, il ne sera pas nécessaire de lubrifier l'outil avant que le temps ne soit venu de remplacer les balais. Après une période pouvant aller de 6 mois à un an, selon l'usage, retournez votre outil à un centre de service *MILWAUKEE* accrédité pour obtenir les services suivants :

- Lubrification
- Inspection et remplacement des balais
- Inspection et nettoyage de la mécanique (engrenages, pivots, coussinets, boîtier etc.)
- Inspection électrique (interrupteur, cordon, induit etc.)
- Vérification du fonctionnement électromécanique



AVERTISSEMENT!

Pour minimiser les risques de blessures, choc électrique et dommage à l'outil, n'immergez jamais l'outil et ne laissez pas de liquide s'y infiltrer.

Nettoyage

Débarrassez les événements des débris et de la poussière. Gardez les poignées de l'outil propres, à sec et exemptes d'huile ou de graisse. Le nettoyage de l'outil doit se faire avec un linge humide et un savon doux. Certains nettoyants tels l'essence, la térébenthine, les diluants à laque ou à peinture, les solvants chlorés, l'ammoniaque et les détergents d'usage domestique qui en contiennent pourraient détériorer le plastique et l'isolation des pièces. Ne laissez jamais de solvants inflammables ou combustibles auprès des outils.

Réparations

Si votre outil est endommagé, retourne l'outil entier au centre de maintenance le plus proche.

ACCESSOIRES



AVERTISSEMENT!

Pour minimiser les risques de blessures, débranchez toujours l'outil avant d'y installer ou d'en enlever les accessoires. L'emploi d'accessoires autres que ceux qui sont expressément recommandés pour cet outil peut présenter des risques.

Pour une liste complète des accessoires, prière de se reporter au catalogue *MILWAUKEE* Electric Tool ou visiter le site internet www.milwaukeetool.com. Pour obtenir un catalogue, il suffit de contacter votre distributeur local ou l'un des centres-service.

GARANTIE LIMITÉE DE L'OUTIL DE CINQ ANS

Tous les outils *MILWAUKEE* sont testés avant de quitter l'usine et sont garantis exempts de vice de matériau ou de fabrication. *MILWAUKEE* réparera ou remplacera (à la discrétion de *MILWAUKEE*), sans frais, tout outil (y compris les chargeurs de batterie) dont l'examen démontre le caractère défectueux du matériau ou de la fabrication dans les cinq (5) ans suivant la date d'achat. Retourner l'outil et une copie de la facture ou de toute autre preuve d'achat à une branche Entretien usine/Assistance des ventes de l'établissement *MILWAUKEE* ou à un centre d'entretien agréé par *MILWAUKEE*, en port payé et assuré. Cette garantie ne couvre pas les dommages causés par les réparations ou les tentatives de réparation par quiconque autre que le personnel agréé par *MILWAUKEE*, les utilisations abusives, l'usure normale, les carences d'entretien ou les accidents.

Les batteries, les lampes de poche et les radios sont garanties pour un (1) an à partir de la date d'achat.

LES SOLUTIONS DE RÉPARATION ET DE REMPLACEMENT DÉCRITES PAR LES PRÉSENTES SONT EXCLUSIVES. *MILWAUKEE* NE SAURAIT ÊTRE RESPONSABLE, EN AUCUNE CIRCONSTANCE, DES DOMMAGES ACCESSOIRES, SPÉCIAUX OU INDIRECTS, Y COMPRIS LES MANQUES À GAGNER.

CETTE GARANTIE EST EXCLUSIVE ET REMPLACE TOUTES LES AUTRES GARANTIES OU CONDITIONS, ÉCRITES OU ORALES, EXPRESSES OU TACITES DE QUALITÉ MARCHANDE OU D'ADAPTATION À UNE UTILISATION OU UNE FIN PARTICULIÈRE.

Cette garantie vous donne des droits particuliers. Vous pouvez aussi bénéficier d'autres droits variant d'un état à un autre et d'une province à une autre. Dans les états qui n'autorisent pas les exclusions de garantie tacite ou la limitation des dommages accessoires ou indirects, les limitations ou exclusions ci-dessus peuvent ne pas s'appliquer. Cette garantie s'applique aux États-Unis, au Canada et au Mexique uniquement.

INSTRUCCIONES GENERALES DE SEGURIDAD



¡ADVERTENCIA!

LEA Y ENTIENDA TODAS LAS INSTRUCCIONES


Se debe seguir todas las instrucciones a continuación para evitar una descarga eléctrica, incendio y/o lesiones graves.

GUARDE ESTAS INSTRUCCIONES

AREA DE TRABAJO

1. **Mantenga limpia y bien iluminada el area detrabajo.** Las áreas desordenadas y oscuras favorecen los accidentes.
2. **Evite ambientes peligrosos.** No utilice ni exponga sus herramientas en la lluvia o en lugares mojados. No utilice su herramienta en atmósferas explosivas (con líquidos, gases o substancias inflamables). Retire del area materiales o residuos que puedan incendiarse con chispas.
3. **Mantenga alejadas a las personas.** Mantenga a distancia segura del area de trabajo, tanto a niños como a visitantes. No permita que personas ajenas distraigan al usuario ni toquen su herramienta o sus extensiones eléctricas.
4. **Proteja a los demas en el area de trabajo** de accidentes con rebabas y chispas eléctricas. Coloque barreras y escudos según sea necesario.
5. **Prepare su taller a prueba de niños** instalando seguros, interruptores maestros o quitando las llaves de encendido de las herramientas.

SEGURIDADELECTRICA

6. **Las herramientas conectadas a tierra deben estar enchufadas en un toma corriente que esté instalado correctamente y conectado a tierra de acuerdo con todos los códigos y ordenanzas vigentes.** Nunca retire la clavija de conexión a tierra o modifique el enchufe de ninguna manera. No use enchufes adaptadores. Consulte a un electricista capacitado si tiene dudas para asegurar que el tomacorriente esté correctamente conectado a tierra. Si las herramientas sufren fallas eléctricas, la conexión a tierra proporciona una trayectoria de baja resistencia para que el usuario no quede expuesto a la electricidad.
7. **Las herramientas con aislamiento doble están equipadas con un enchufe polarizado (una clavija es más ancha que la otra). Hay una sola manera de introducir este enchufe en una toma polarizada. Si el enchufe no se ajusta completamente en la toma, dé vuelta el enchufe. Si el problema persiste, póngase en contacto con un electricista calificado para que instale una toma polarizada. No cambie la toma de ninguna manera.** El aislamiento doble  elimina la necesidad de un cable de energía con conexión a tierra con 3 alambres y la de un sistema de suministro de energía con conexión a tierra.
8. **Protejase contra descargas electricas.** Evite el contacto personal con superficies "a tierra" tales como tuberías, radiadores, estufas y refrigeradores. Cuando vaya a realizar un corte "ciego", asegúrese de revisar el área de trabajo en busca de cables o tuberías. Sujete su herramienta de las superficies aislantes no metálicas. Use un interruptor para conexiones fallidas "a tierra" (GFCI) para reducir el riesgo de una descarga.
9. **No exponga su herramienta a la lluvia ni la use en sitios mojados o inundados.**

10. **No maltrate el cable. Nunca use el cable para transportar las herramientas ni para sacar el enchufe de la toma eléctrica. Mantenga el cable lejos de calefacción, petróleo, bordes afilados o cualquier parte movable. Reemplace inmediatamente cualquier cable dañado.** Los cables dañados aumentan el riesgo de choque eléctrico.

SEGURIDAD PERSONAL

11. **Conozca su herramienta.** Lea al detalle este manual del operario para que conozca las aplicaciones y limitaciones, al igual que los riesgos potenciales que ofrece una herramienta de este tipo.
12. **Este alerta. Revise su trabajo y use el sentido común. No opere su herramienta cuando esté cansado, distraído o bajo la influencia de drogas, alcohol o cualquier medicina que cause reducción del control.**
13. **Utilice ropa adecuada.** No use ropa suelta o joyería. Use un gorro que recoja el cabello largo y suelto ya que este puede ser atrapado por partes móviles. Cuando trabaje en el exterior use guantes de hule y zapatillas aislantes. Mantenga las manos y los guantes lejos de partes móviles.
14. **Evite arranques accidentales.** Antes de enchufar la herramienta asegúrese de que se encuentra apagada. No utilice la herramienta si tiene el interruptor dañado y éste no enciende ni apaga la herramienta correctamente. No cargue ni transporte una herramienta conectada, con el dedo colocado en el interruptor.
15. **Retire todas las llaves y calibradores.** Hágase el hábito de verificar que todas las llaves, calibradores, etc. hayan sido removidas de la herramienta antes de operarla.
16. **No se force, mantenga el control.** Mantenga siempre una postura y un balance adecuado. Mantenga bien sujeta su herramienta. Extremar sus precauciones cuando use herramientas en escaleras, techos, áticos, andamios, etc.
17. **Utilice equipo de seguridad.** Todas las personas que se encuentren en el área de trabajo **deberán utilizar anteojos de seguridad o anteojos con protectores laterales que cumplan con las normas de seguridad en vigencia.** Los anteojos normales tienen lentes que son sólo resistentes al impacto pero no son, en modo alguno, lentes de seguridad. Cuando permanezca en el área de trabajo durante periodos prolongados utilice protectores para los oídos. Use también una máscara contra polvo al realizar operaciones donde predominen esas condiciones. Siempre que así se especifique o se exija deberán utilizarse cascos protectores, máscaras protectoras, zapatos de seguridad, etc. Mantenga un extintor de incendios siempre a la mano.
18. **Mantenga las guardas en su lugar** y en condiciones de operación.
19. **No se coloque sobre la herramienta.** Pueden ocurrir serios accidentes si se golpea accidentalmente la herramienta o si se hace contacto no intencional con alguna parte cortante de la misma.
20. **Mantenga las manos retiradas de orillas cortantes y partes en movimiento.**

EL USO Y MANTENIMIENTO DE LA HERRAMIENTA

21. **Asegure el trabajo.** Use pinzas, sujetadores u otros medios prácticos para asegurar el trabajo. De esta manera tendrá libres ambas manos para operar y controlar la herramienta.
22. **No force su herramienta.** Desarrollará su trabajo mejor y más seguramente si la opera dentro del rango para el que está diseñada. Forzándola solamente causará fatiga al operario, mayor desgaste y menor control.
23. **Utilice la herramienta adecuada.** No utilice una herramienta o accesorio para hacer trabajos para los que no está diseñada ni recomendada. Como por ejemplo, usar una sierra circular para cortar troncos de árbol. No altere la herramienta.
24. **Desconecte la herramienta** cuando no se esté usando, cuando le cambie algún accesorio o le esté dando algún tipo de mantenimiento recomendado.
25. **Proteja su herramienta cuando no la use.** Cuando no la utilice, manténgala guardada en un lugar seco, alto y cerrado, lejos del alcance de los niños.
26. **Nunca deje sola una herramienta que este operando.** Desconéctela siempre. No se separe de la herramienta hasta que esta se haya detenido por completo.
27. **Busque partes dañadas.** Revise las guardas y otras partes antes de usar la herramienta. Busque partes móviles que estén dobladas, mal alineadas, mal montadas, rotas o que presenten cualquier otra condición que pueda afectar la operación. Si se detecta algún ruido o vibración anormal, apague de inmediato la herramienta y solucione el problema antes de volverla a usar. No use una herramienta dañada. Coloque una etiqueta indicando "NO DEBE USARSE", hasta que sea reparada. Las guardas o cualquier otra parte dañada deberá ser adecuadamente reparada o reemplazada por un Centro de Servicio *MILWAUKEE*. En todas las reparaciones insista en que se coloquen partes idénticas y originales

28. **Utilice los accesorios correctos.** Consulte este manual para saber cuáles son los accesorios correctos; puede ser peligroso utilizar accesorios incorrectos. Asegúrese de que los accesorios se encuentran bien instalados y han recibido el mantenimiento adecuado. No olvide poner los protectores o dispositivos de seguridad al instalar un accesorio.
29. **Mantenga su herramienta con cuidado.** Mantenga los mangos secos, limpios y sin aceite ni grasa. Mantenga los filos de corte afilados y limpios. Siga siempre las instrucciones para lubricación y cambio de accesorios. Revise periódicamente el cable y las extensiones en busca de daños. Las partes dañadas deberán ser reparadas o cambiadas por un Centro de Servicio Autorizado *MILWAUKEE*.
30. **Mantenga las etiquetas y la placa de especificaciones.** Estas incluyen información muy importante. Si se llegan a dañar y no son legibles, contacte un Centro de Servicio *MILWAUKEE* para que las cambien sin costo.

SERVICIO

31. **El servicio de mantenimiento debe ser realizado solamente por personal técnico debidamente capacitado.** El servicio o mantenimiento realizado por personal no calificado puede aumentar el riesgo de lesiones.
32. **Cuando realice el servicio de mantenimiento, utilice solamente repuestos idénticos. siga las instrucciones en la sección de mantenimiento de este manual.** El uso de partes no autorizadas o el incumplimiento de las instrucciones de mantenimiento puede aumentar el riesgo de descarga eléctrica o lesiones.



¡ADVERTENCIA!

Para reducir el riesgo de lesión, evite inhalar el polvo generado por la abrasión y las operaciones de corte. El exponerse a este tipo de polvo puede causar enfermedades respiratorias. Use respiradores aprobados por NIOSH o OSHA. Use también anteojos de seguridad y caretas de protección, al igual que guantes y ropa de seguridad. Logre una ventilación adecuada con el objeto de eliminar el polvo o para mantenerlo debajo del límite de seguridad recomendado por OSHA.

¡ADVERTENCIA! Algunas partículas de polvo resultantes del lijado mecánico, aserrado, esmerilado, taladrado y otras actividades relacionadas a la construcción, contienen sustancias químicas que se saben ocasionan cáncer, defectos congénitos u otros daños al aparato reproductivo. A continuación se citan algunos ejemplos de tales sustancias químicas:

- plomo proveniente de pinturas con base de plomo
- sílice cristalino proveniente de ladrillos, cemento y otros productos de albañilería y
- arsénico y cromo provenientes de madera químicamente tratada.

El riesgo que usted sufre debido a la exposición varía dependiendo de la frecuencia con la que usted realiza estas tareas. Para reducir la exposición a estas sustancias químicas: trabaje en un área bien ventilada, y utilice equipo de seguridad aprobado como, por ejemplo, máscaras contra el polvo que hayan sido específicamente diseñadas para filtrar partículas microscópicas.

Instrucciones para el disco abrasivo

1. Para cortar, use solo las orillas (no los lados) del disco. No permita que el disco se doble o deforme.
2. Mantenga el cuerpo y las manos lejos del disco giratorio. No use ropas sueltas cuando use esta herramienta.
3. Almacene con cuidado los discos abrasivos. No los deje caer o los exponga a un calor, frío o humedad excesivos.
4. Asegúrese que todas las rondanas del disco así como los demás implementos de montaje están en buenas condiciones y se usan siempre en forma adecuada. El uso de partes defectuosas, o si hay partes faltantes, pueden causar daño al disco abrasivo. Use siempre las rondanas de montaje que se suministran con la herramienta.
5. Es muy peligroso cortar con un disco dañado. Luego de instalar un nuevo disco, deje la herramienta sin conectar y gire el disco con la mano para cerciorarse que no está disperejo, roto o dañado. Si lo está, deséchelo y reemplácelo con uno nuevo. No use un disco que se haya caído ya que el impacto puede haberlo roto.
6. Antes de iniciar un corte, aléjese de la herramienta al tiempo que la acciona, con el objeto de verificar que el disco está en buenas condiciones. Los tiempos para una verificación son:
 - Cuando cambie un disco abrasivo—no menos de 3 minutos.
 - Cuando inicia un trabajo rutinario—un poco más de un minuto.
7. Nunca intente retirar el material o asegurarlo a la sierra mientras el disco está girando.
8. Antes de instalar un disco, inspecciónelo para ver si tiene fracturas. Verifique visualmente las uniones de resinas y de hule para ver si no están rotas. Reemplace de inmediato todo disco agrietado.
9. Verifique siempre la máxima velocidad de operación establecida para el disco y compárela contra la de la herramienta. No exceda la velocidad máxima de operación marcada en el disco.
10. No force el disco dentro de la herramienta ni le altere el tamaño de la entrada del mismo. No use un disco que entre en la flecha con mucha soltura. Si el disco no se ajusta a la herramienta, consiga uno que lo haga.
11. No intente instalar cuchillas dentadas en esta herramienta porque no ha sido diseñada para este tipo de cuchilla.
12. No apriete la tuerca FIXTEC demasiado. Apriete solamente con la mano.







Instrucciones de la herramienta

1. Inicie el corte una vez que la herramienta haya alcanzado su máxima velocidad.
2. Suelte el interruptor de inmediato en caso que el disco abrasivo de corte se detenga o el motor suene como si se estuviera forzando.
3. Mantenga alejados de la herramienta los objetos inflamables o frágiles. No permita que las chispas lleguen a tener contacto con las manos del operario.
4. Coloque la sierra en forma segura, en una superficie plana y nivelada.
5. Use siempre la herramienta con el voltaje adecuado indicado en la placa de especificaciones.
6. No toque nunca un pedazo de material cortado hasta que este se enfríe.
7. Nunca intente cortar material de mayores dimensiones a las indicadas en la capacidad nominal, en la sección «Especificaciones».
8. Nunca se coloque en línea con el disco cuando este esté cortando. Colóquese siempre al lado de este.
9. Mantenga siempre las guardas en su lugar.
10. Inicie siempre el corte en forma delicada. No lo golpee o presione contra el material al iniciar el corte.
11. No realice nunca cortes con las manos libres. Al realizar cortes, coloque siempre el material a cortar entre la pinza sujetadora y el tope de la herramienta.

Especificaciones de la Tronzadora

Cat. No.	Tamaño de la Rueda	RPM	Volts ca/cd	A	Tamaño del Orificio del Árbol	Configuraciones de la Pieza de Trabajo		
						Material Rectangular	Tubería de Diámetro Externo	Tubería Cuadrada
6180-20	355 mm (14")	3 900	120	15	25 mm (1")	101 mm x 190 mm (4" x 7-1/2")	136 mm (5-3/8")	127 mm x 127 mm (5" x 5")

Simbología

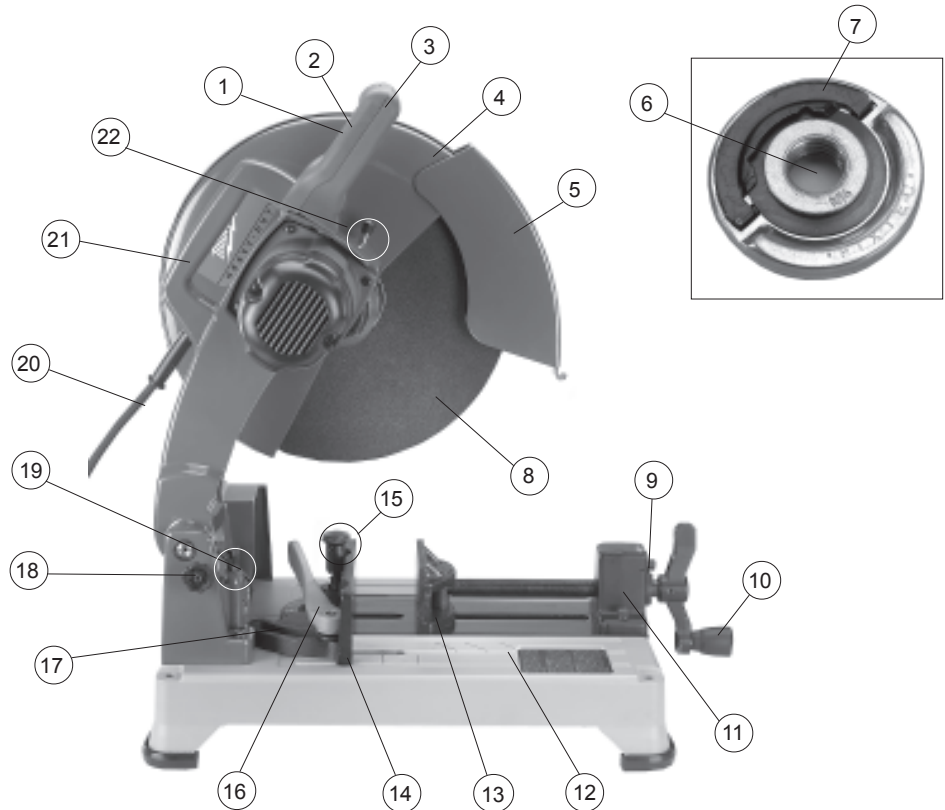
	Doble aislamiento
	Volts corriente alterna/ corriente directa
	Amperios
	No de revoluciones de carga por minuto (RPM)
	Underwriters Laboratories, Inc.
	Asociación de Normas Canadiense

Spécifications de la machine à tronçonner

Tamaño del Disco	Minimas rpm del Disco	Grosor del Disco	Entrada de Flecha
355 mm (14")	4 300	2 mm (3/32")	25 mm (1")

DESCRIPCIÓN FUNCIONAL

1. Gatillo
2. El hoyo del cierre patronal (no se muestra)
3. Mango
4. Guarda estacionaria
5. Guarda movible
6. Tuerca FIXTEC
7. Seguro abisagrado
8. Muela de recortar abrasiva
9. Palanca de liberación rápida
10. Mango del tornillo de banco
11. Tornillo de banco
12. Base
13. Placa del tornillo de banco
14. Guía de ajuste rápido
15. Perno de guía accionado por resorte
16. Palanca de bloqueo de la guía
17. Indicador de ángulo
18. Bloqueo de transporte
19. Perno de ajuste de profundidad
20. Cordón
21. Mango de transporte
22. Palanca de bloqueo del husillo



TIERRA



¡ADVERTENCIA!

Puede haber riesgo de descarga eléctrica si se conecta el cable de conexión de puesta a tierra incorrectamente. Consulte con un electricista certificado si tiene dudas respecto a la conexión de puesta a tierra del tomacorriente. No modifique el enchufe que se proporciona con la herramienta. Nunca retire la clavija de conexión de puesta a tierra del enchufe. No use la herramienta si el cable o el enchufe está dañado. Si está dañado antes de usarlo, llévelo a un centro de servicio **MILWAUKEE** para que lo reparen. Si el enchufe no se acopla al tomacorriente, haga que un electricista certificado instale un tomacorriente adecuado.

Herramientas con conexión a tierra: Herramientas con enchufes de tres clavijas

Las herramientas marcadas con la frase "Se requiere conexión de puesta a tierra" tienen un cable de tres hilos y enchufes de conexión de puesta a tierra de tres clavijas. El enchufe debe conectarse a un tomacorriente debidamente conectado a tierra (véase la Figura A). Si la herramienta se averiara o no funcionara correctamente, la conexión de puesta a tierra proporciona un trayecto de baja resistencia para desviar la corriente eléctrica de la trayectoria del usuario, reduciendo de este modo el riesgo de descarga eléctrica.

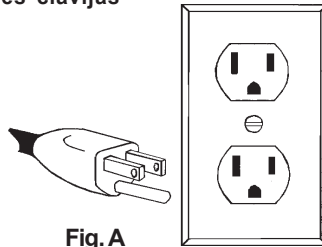


Fig. A

La clavija de conexión de puesta a tierra en el enchufe está conectada al sistema de conexión de puesta a tierra de la herramienta a través del hilo verde dentro del cable. El hilo verde debe ser el único hilo conectado al sistema de conexión de puesta a tierra de la herramienta y nunca se debe unir a una terminal energizada.

Su herramienta debe estar enchufada en un tomacorriente apropiado, correctamente instalado y conectado a tierra según todos los códigos y reglamentos. El enchufe y el tomacorriente deben asemejarse a los de la Figura A.

Herramientas con doble aislamiento: Herramientas con clavijas de dos patas

Las herramientas marcadas con "Doble aislamiento" no requieren conectarse "a tierra". Estas herramientas tienen un sistema aislante que satisface los estándares de OSHA y llena los estándares aplicables de UL (Underwriters Laboratories), de la Asociación Canadiense de Estándares (CSA) y el Código Nacional de Electricidad. Las herramientas con doble aislamiento pueden ser usadas en cualquiera de los toma corriente de 120 Volt mostrados en las Figuras B y C.

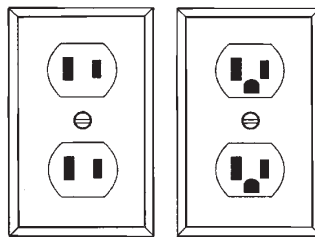


Fig. B

Fig. C

EXTENSIONES ELÉCTRICAS

Las herramientas que deben conectarse a tierra cuentan con clavijas de tres patas y requieren que las extensiones que se utilicen con ellas sean también de tres cables. Las herramientas con doble aislamiento y clavijas de dos patas pueden utilizarse indistintamente con extensiones de dos a tres cables. El calibre de la extensión depende de la distancia que exista entre la toma de la corriente y el sitio donde se utilice la herramienta. El uso de extensiones inadecuadas puede causar serias caídas en el voltaje, resultando en pérdida de potencia y posible daño a la herramienta. La tabla que aquí se ilustra sirve de guía para la adecuada selección de la extensión.

Mientras menor sea el número del calibre del cable, mayor será la capacidad del mismo. Por ejemplo, un cable calibre 14 puede transportar una corriente mayor que un cable calibre 16. Cuando use más de una extensión para lograr el largo deseado, asegúrese que cada una tenga al menos, el mínimo tamaño de cable requerido. Si está usando un cable de extensión para más de una herramienta, sume los amperes de las varias placas y use la suma para determinar el tamaño mínimo del cable de extensión.

Guías para el uso de cables de extensión

- Si está usando un cable de extensión en sitios al aire libre, asegúrese que está marcado con el sufijo "W-A" ("W" en Canadá) el cual indica que puede ser usado al aire libre.
- Asegúrese que su cable de extensión está correctamente cableado y en buenas condiciones eléctricas. Cambie siempre una extensión dañada o hágala reparar por una persona calificada antes de volver a usarla.
- Proteja su extensión eléctrica de objetos cortantes, calor excesivo o áreas mojadas.

Calibre mínimo recomendado para cables de extensiones eléctricas*

Amperes (En la placa)	Largo de cable de Extensión en(m)					
	7,6	15,2	22,8	30,4	45,7	60,9
0 - 5,0	16	16	16	14	12	12
5,1 - 8,0	16	16	14	12	10	--
8,1 - 12,0	14	14	12	10	--	--
12,1 - 15,0	12	12	10	10	--	--
15,1 - 20,0	10	10	10	--	--	--

* Basado en limitar la caída en el voltaje a 5 volts al 150% de los amperes.

LEA Y GUARDE TODAS LAS INSTRUCCIONES PARA FUTURAS REFERENCIAS.

OPERACION

¡ADVERTENCIA!

A fin de reducir el riesgo de lesionarse, desenchufe siempre la herramienta antes de colocar o retirar accesorios. Utilice únicamente accesorios específicamente recomendados. El uso de accesorios no recomendados podría resultar peligroso.

Cómo usar el bloqueo de transporte

El bloqueo de transporte bloquea el mango para transportar y almacenar la herramienta. Para liberar el bloqueo de transporte, empuje el mango hacia abajo y tire del bloqueo de transporte hacia fuera. Para bloquear el bloqueo de transporte, empuje el mango hacia abajo y empuje el bloqueo de transporte hacia dentro.

¡ADVERTENCIA!

A fin de reducir el riesgo de lesionarse, no use la tuerca FIXTEC en ninguna otra herramienta. La tuerca FIXTEC ha sido especialmente diseñada para esta aplicación y podría ser peligrosa si se utiliza en otras herramientas.

Cómo usar la tuerca FIXTEC

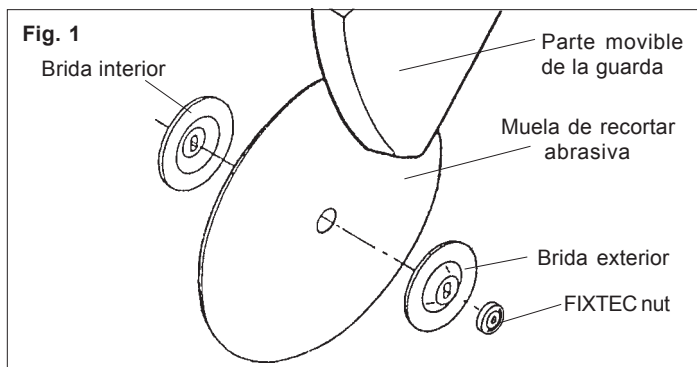
La tuerca FIXTEC permite cambiar muelas sin la necesidad de herramientas. Para usar la tuerca FIXTEC, tire hacia fuera del seguro abisagrado y dele vuelta a la tuerca. Para reemplazar la tuerca, apriétela con la mano hasta que quede asegurada en su lugar. No apriete la tuerca demasiado. Esto podría ocasionar daño a la muela y la brida. Cuando la tuerca esté apretada, acople el seguro abisagrado de nuevo en su posición. Cerciérese que el seguro abisagrado esté colocado hacia abajo antes de usar la herramienta.

¡ADVERTENCIA!

A fin de reducir el riesgo de lesionarse, use únicamente las muelas TIPO 1 adecuadas diseñadas para esta máquina. NO UTILICE CUCHILLAS DENTADAS.

Cómo extraer e instalar muelas de recortar (Fig. 1)

La tronzadora se suministra con la muela de recortar abrasiva ya instalada. MILWAUKEE recomienda utilizar con esta herramienta Muelas de Recortar Abrasivas de 355 mm (14") y 2 mm (3/32") de ancho MILWAUKEE solamente. Antes de hacer funcionar la herramienta, asegúrese que la muela se encuentre en buenas condiciones, tal como se describe en la sección "Instrucciones Específicas de Seguridad – Tronzadoras Abrasivas".



Para cambiar las muelas:

1. Desconecte la herramienta.
2. Suelte el bloqueo de transporte.
3. Tire hacia atrás de la parte móvil de la guarda para exponer el árbol de la rueda y la tuerca FIXTEC.

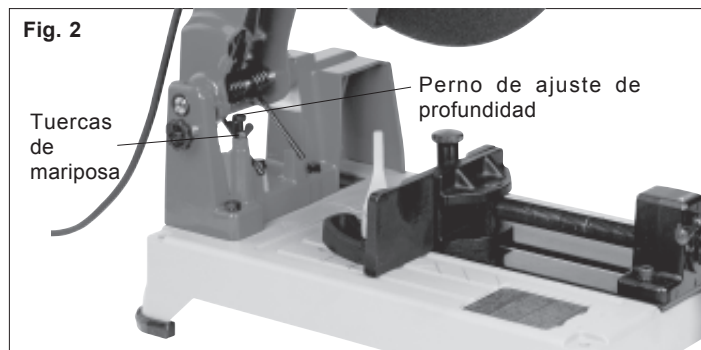
Oprima la palanca de bloqueo del husillo y afloje la tuerca FIXTEC (en sentido contrario a las manecillas del reloj).

4. Extraiga la tuerca FIXTEC, la brida exterior y la muela de recortar.
5. Verifique las dos (2) bridas de la muela para asegurarse que se encuentren en buen estado. Extraiga cualquier mella o rebaba, las cuales pueden ocasionar una presión desigual y daños a la muela.
6. Instale la muela de recortar, la brida exterior y la tuerca FIXTEC (Fig. 1).
7. Oprima la palanca de bloqueo del husillo a la vez que aprieta la tuerca FIXTEC (en el sentido de las manecillas del reloj).
NOTA: Apriete la tuerca FIXTEC con la mano de forma segura, pero no use presión excesiva. Apretar la tuerca FIXTEC demasiado puede ocasionar daños a la muela y a las bridas. No utilice ningún instrumento para apretar la tuerca de FIXTEC. La mano aprieta sólo.
8. Verifique la rueda para la rotación libre después de la instalación.
9. Permita que la parte móvil de la guarda regrese a su posición original.
10. Antes de iniciar un corte, aléjese y manténgase fuera de la línea de la muela de la herramienta y realice un funcionamiento de prueba para confirmar que la muela se encuentra en buenas condiciones. Cuando reemplace la muela de recortar, haga funcionar la herramienta por más de 3 minutos. Cuando comience un trabajo de rutina, haga funcionar la herramienta por más de 1 minuto.

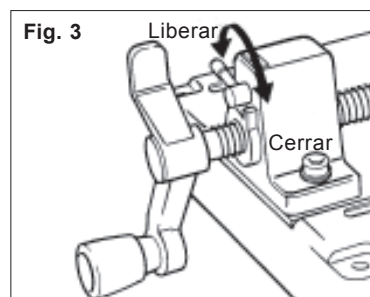
Ajuste de la profundidad de corte (Fig. 2)

Use el ajuste de profundidad para cambiar la profundidad de corte. Cuando se ajusta correctamente, el perno de ajuste de profundidad evita que la muela de recortar entre en contacto con la superficie debajo de la base durante el corte. Las muelas de recortar se desgastan durante el uso por lo que podría ser necesario aumentar la profundidad de corte.

1. Para ajustar la profundidad de corte, afloje la tuerca de mariposa.
2. Gire el perno de ajuste de profundidad para alcanzar la altura deseada.
3. Apriete la tuerca de mariposa.



Usar la palanca de liberación rápida (Fig. 3)

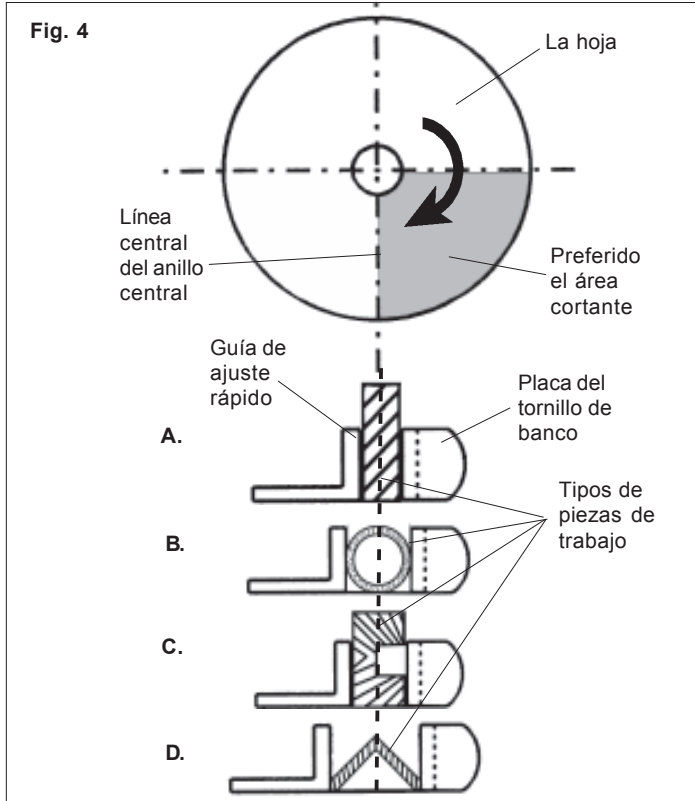


1. Para liberar la palanca de liberación rápida, gire la palanca completamente a la izquierda.
2. Para cerrar la palanca de liberación rápida, gire la palanca completamente a la derecha.

Cómo apoyar la pieza de trabajo y ajustar el sistema de tornillo de banco y guía (Figs. 4 y 5)

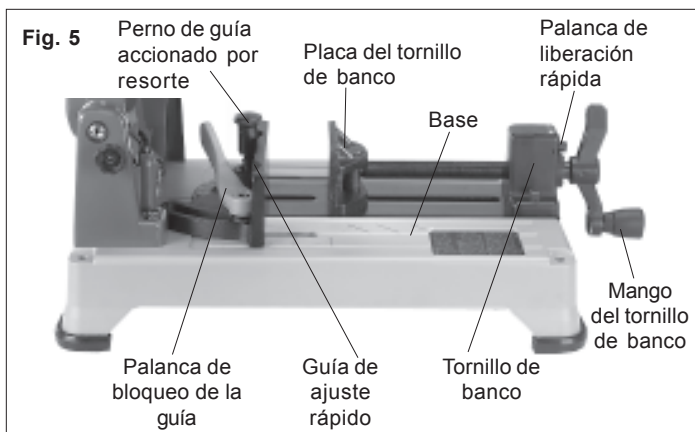
El sistema de tornillo de banco y guía mantiene la pieza de trabajo sujeta en la posición deseada. La placa del tornillo de banco y la guía pueden moverse hacia delante y hacia atrás, así como ajustarse a cualquier ángulo entre 90° y 45°.

Cuándo ajustar el sistema, el vicio y la cerca se deben posicionar así que la línea central del eje de la rueda esté a la par de o atrás la línea central del workpiece, hacia el trasero del instrumento (Fig. 4). La pieza de trabajo debe descansar al ras con la base de la tronzadora.



Para ajustar el sistema de tornillo de banco y guía para una pieza de trabajo en particular, siga el procedimiento a continuación:

1. Gire la palanca de liberación rápida como hacia la izquierda a la posición "liberar". Esto desenganchará el tornillo de banco de las roscas (Fig. 5).



2. Afloje la palanca de bloqueo de la guía que mantiene la guía firmemente en su posición.
3. Oprima el perno de guía accionado por resorte y mueva la guía de ajuste rápido hacia una de las tres posiciones provistas.
4. Suelte el perno de guía accionado por resorte. Cuando se engancha correctamente, la guía deberá encajar en su posición. Si la guía no encaja completamente en su posición, muévela hacia atrás y hacia delante con la mano hasta que encaje en su posición. Si la guía no encaja en su posición, repita el paso 3.

5. Ajuste la guía al ángulo deseado y apriete la palanca de bloqueo de la guía.
6. Ajuste la placa del tornillo de banco moviendo el mango del tornillo de banco hacia dentro y hacia fuera según sea necesario para adaptarse a la pieza de trabajo.
7. Gire la palanca de liberación rápida hacia la derecha a la posición "bloquear". Esto enganchará las roscas y bloqueará el tornillo de banco. Para bloquear completamente el tornillo de banco, gire el mango del tornillo de banco en el sentido de las manecillas del reloj hasta que la pieza de trabajo quede asegurada de manera correcta.

Cómo seleccionar una pieza de trabajo

La Tronzadora Abrasiva **MILWAUKEE** ha sido diseñada para cortar acero y concreto. NO se recomienda para cortar madera o plástico. NO intente instalar una cuchilla dentada en la herramienta.

Arranque y paro de la herramienta

1. Enchufe la herramienta.
2. Manténgase fuera de línea de la muela.
3. Para arrancar la herramienta, oprima el gatillo.
4. Para detener la herramienta, suelte el gatillo.



¡ADVERTENCIA!

Para reducir el riesgo de daños a la herramienta, no utilice la palanca de bloqueo del husillo a modo de detener la flecha mientras la herramienta se encuentra en uso o marcha por inercia después de haber sido apagada.

Cómo realizar un corte

1. Desconecte la herramienta.
2. Seleccione un ángulo de corte y coloque el conjunto de guía y tornillo de banco según sea necesario; consulte la sección "Cómo apoyar la pieza de trabajo y ajustar el sistema de tornillo de banco y guía".
3. Coloque la pieza de trabajo plana sobre la base de la tronzadora. Posicione la sección más delgada del workpiece frente a arriba. Gire el mango del tornillo de banco en el sentido de las manecillas del reloj hasta que el conjunto del tornillo de banco mantenga la pieza de trabajo sujeta firmemente en su posición.

NOTA: Asegúrese que la palanca de liberación rápida se haya girado completamente a la posición "bloquear".

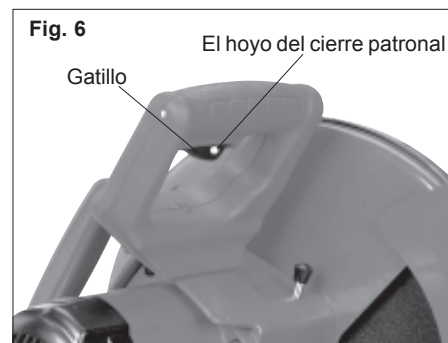
4. Enchufe la herramienta, manténgase fuera de la línea de la muela y oprima el gatillo. Deje que el motor alcance la velocidad plena. Lentamente descienda la muela en la pieza de trabajo.

NOTA: Siempre comience la operación de corte suavemente; no golpee una muela cuando comience a realizar el corte. Para el más seguro y muy eficiente cortante, se cerciora que la línea central del eje de hoja está a la par de o atrás la línea central del workpiece, hacia el trasero del instrumento (Fig. 4).

5. Cuando finalice el corte, eleve completamente la muela de la pieza de trabajo antes de soltar el gatillo y permitir que el motor se detenga.

Usar el hoyo de cierre patronal (Fig. 6)

Meta un candado por el hoyo de cierre patronal para prevenir la herramienta de comenzar involuntariamente.



MANTENIMIENTO



¡ADVERTENCIA!

Para reducir el riesgo de lesiones, desconecte siempre la herramienta antes de darle cualquier mantenimiento. Nunca desarme la herramienta ni trate de hacer modificaciones en el sistema eléctrico de la misma. Acuda siempre a un Centro de Servicio **MILWAUKEE** para TODAS las reparaciones.

Mantenimiento de las herramientas

Adopte un programa regular de mantenimiento y mantenga su herramienta en buenas condiciones. Antes de usarla, examine las condiciones generales de la misma. Inspeccione guardas, interruptores, el cable de la herramienta y el cable de extensión. Busque tornillos sueltos o flojos, defectos de alineación y dobleces en partes móviles, así como montajes inadecuados, partes rotas y cualquier otra condición que pueda afectar una operación segura. Si detecta ruidos o vibraciones anormales, apague la herramienta de inmediato y corrija el problema antes de volver a usarla. No utilice una herramienta dañada. Colóquela una etiqueta que diga "NO DEBE USARSE" hasta que sea reparada (vea "Reparaciones").

Bajo condiciones normales, no se requiere lubricación hasta que haya que cambiar los carbones. Después de 6 meses a un año, dependiendo del uso dado, envíe su herramienta al Centro de Servicio **MILWAUKEE** más cercano para que le hagan:

- Lubricación
- Inspección y cambio de carbones
- Inspección mecánica y limpieza (engranes, flechas, baleros, carcarza, etc.)
- Inspección eléctrica (interruptor, cable, armadura, etc.)
- Probarla para asegurar una operación mecánica y eléctrica adecuada.



¡ADVERTENCIA!

Para reducir el riesgo de lesiones, descarga eléctrica o daño a la herramienta, nunca la sumerja en líquidos ni permita que estos fluyan dentro de la misma.

Limpieza

Limpie el polvo y suciedad de las ventilas. Mantenga las empuñaduras de la herramienta limpias, secas y libres de aceite y grasa. Use sólo jabón neutro y un trapo húmedo para limpiar su herramienta ya que algunas sustancias y disolventes limpiadores pueden ocasionar daños a materiales plásticos y partes aislantes. Algunos de estos incluyen: gasolina, trementina, diluyente para barniz, diluyente para pintura, disolventes limpiadores clorados, amoníaco, y detergentes caseros que contengan amoníaco.

Reparaciones

Si su instrumento se daña, vuelva el instrumento entero al más cercano centro de reparaciones.

ACCESORIOS



¡ADVERTENCIA!

Para reducir el riesgo de lesiones, desconecte siempre su herramienta antes de colocar o retirar un accesorio. Use solo accesorios recomendados específicamente. Otros pueden ser peligrosos.

Para una lista completa de accesorios, refiérase a su catálogo **MILWAUKEE** Electric Tool o visite nuestro sitio en Internet: www.milwaukeetool.com. Para obtener un catálogo, contacte su distribuidor local o uno de los centros.

GARANTÍA LIMITADA DE CINCO AÑOS

Todas las herramientas **MILWAUKEE** se prueban antes de abandonar la fábrica y se garantiza que no presentan defectos ni en el material ni de mano de obra. En el plazo de cinco (5) años a partir de la fecha de compra **MILWAUKEE** reparará o reemplazará (a discreción de **MILWAUKEE**), sin cargo alguno, cualquier herramienta (cargadores de baterías inclusive) cuyo examen determine que presenta defectos de material o de mano de obra. Devuelva la herramienta, con gastos de envío prepagados y asegurada, y una copia de la factura de compra, u otro tipo de comprobante de compra, a una sucursal de reparaciones/ventas de la fábrica **MILWAUKEE** o a un centro de reparaciones autorizado por **MILWAUKEE**. Esta garantía no cubre los daños ocasionados por reparaciones o intentos de reparación por parte de personal no autorizado por **MILWAUKEE**, abuso, desgaste y deterioro normal, falta de mantenimiento o accidentes.

Las baterías, linternas y radios tienen una garantía de un (1) año a partir de la fecha de compra.

LOS DERECHOS A REPARACIÓN Y REEMPLAZO DESCRITOS EN EL PRESENTE DOCUMENTO SON EXCLUSIVOS. **MILWAUKEE** NO SERÁ EN NINGÚN CASO RESPONSABLE DE DAÑOS INCIDENTALES, ESPECIALES O CONSECUENTES, INCLUYENDO LA PÉRDIDA DE GANANCIAS.

ESTA GARANTÍA ES EXCLUSIVA Y SUSTITUYE A TODA OTRA GARANTÍA, O CONDICIONES, ESCRITAS U ORALES, EXPRESAS O IMPLÍCITAS DE COMERCIALIZACIÓN O IDONEIDAD PARA UN USO O FIN DETERMINADO.

Esta garantía le proporciona derechos legales específicos. Es posible que usted tenga otros derechos que varían de estado a estado y de provincia a provincia. En aquellos estados que no permiten la exclusión de garantías implícitas o la limitación de daños incidentales o consecuentes, las limitaciones anteriores pueden que no apliquen. Esta garantía es válida solamente en los Estados Unidos, Canadá y México.

UNITED STATES

MILWAUKEE Service

MILWAUKEE prides itself in producing a premium quality product that is **NOTHING BUT HEAVY DUTY®**.

Your satisfaction with our products is very important to us!

If you encounter any problems with the operation of this tool, or you would like to locate the *factory* Service/Sales Support Branch or *authorized service station* nearest you, please call...

1-800-SAWDUST

(1.800.729.3878)

NATIONWIDE TOLL FREE

Monday-Friday • 8:00 AM - 4:30 PM • Central Time
or visit our website at

www.milwaukeetool.com

For service information, use the 'Service Center Search' icon found in the 'Parts & Service' section.

Additionally, we have a nationwide network of *authorized* Distributors ready to assist you with your tool and accessory needs. Check your "Yellow Pages" phone directory under "Tools-Electric" for the names & addresses of those nearest you or see the 'Where To Buy' section of our website.

Corporate After Sales Service - Technical Support
Brookfield, Wisconsin USA

•Technical Questions •Service/Repair Questions •Warranty

1-800-SAWDUST

(1.800.729.3878)

fax:1.800.638.9582

email: metproductsupport@milwaukeetool.com

Monday-Friday • 8:00 AM - 4:30 PM • Central Time

CANADA

Service MILWAUKEE

MILWAUKEE est fier de proposer un produit de première qualité **NOTHING BUT HEAVY DUTY®**. Votre satisfaction est ce qui compte le plus!

En cas de problèmes d'utilisation de l'outil ou pour localiser le centre de service/ventes ou le *centre d'entretien* le plus proche, appelez le...

416.439.4181

fax: 416.439.6210

Milwaukee Electric Tool (Canada) Ltd

755 Progress Avenue

Scarborough, Ontario M1H 2W7

Notre réseau national de distributeurs *agrés* se tient à votre disposition pour fournir l'aide technique, l'outillage et les accessoires nécessaires. Composez le 416.439.4181 pour obtenir les noms et adresses des revendeurs les plus proches ou bien consultez la section «Où acheter» sur notre site web à l'adresse

www.milwaukeetool.com

MEXICO

Servicios de MILWAUKEE

Milwaukee Electric Tool

Bvd. Abraham Lincoln no. 13

Colonia Los Reyes Zona Industrial

Tlalnepantla, Edo. México C.P. 54073

Tel. 55 5565-1414 Fax: 55 5565-6874

Adicionalmente, tenemos una red nacional de distribuidores autorizados listos para ayudarle con su herramienta y sus accesorios. Por favor, llame al 55 5565-1414 para obtener los nombres y direcciones de los más cercanos a usted, o consulte la sección 'Where to buy' (Dónde comprar) de nuestro sitio web en

www.milwaukeetool.com

MILWAUKEE ELECTRIC TOOL CORPORATION

13135 West Lisbon Road • Brookfield, Wisconsin, U.S.A. 53005