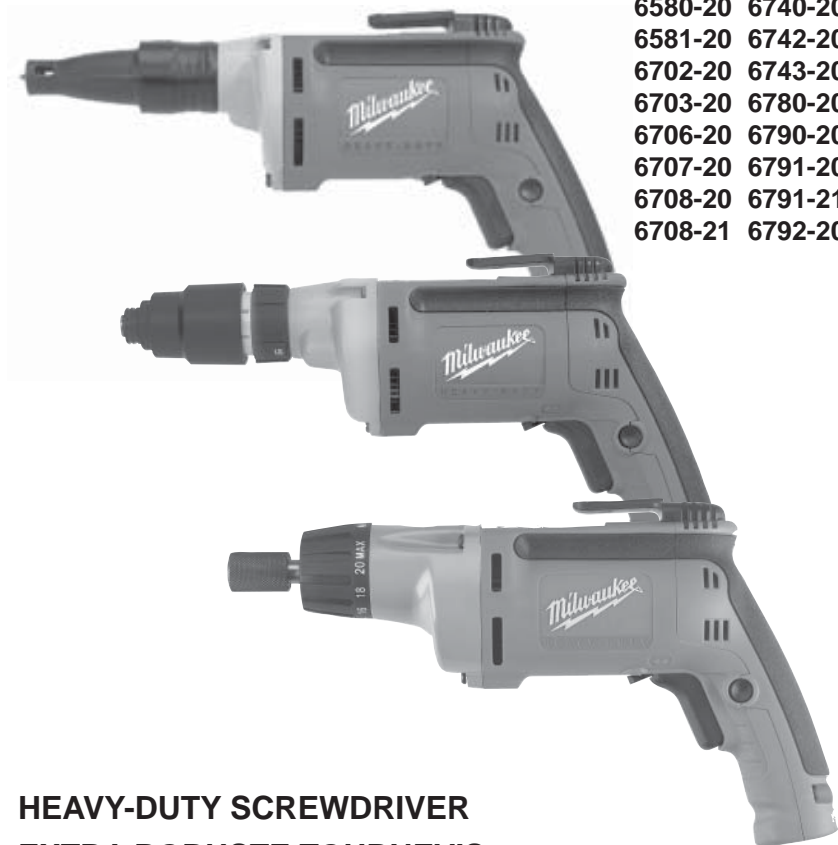




**OPERATOR'S MANUAL  
MANUEL de L'UTILISATEUR  
MANUAL del OPERADOR**

**Cat. No.  
No de Cat.**

6580-20 6740-20  
6581-20 6742-20  
6702-20 6743-20  
6703-20 6780-20  
6706-20 6790-20  
6707-20 6791-20  
6708-20 6791-21  
6708-21 6792-20



**HEAVY-DUTY SCREWDRIVER  
EXTRA ROBUSTE TOURNEVIS  
DESTORNILLADORES HEAVY-DUTY**

***TO REDUCE THE RISK OF INJURY, USER MUST READ OPERATOR'S MANUAL.***

***AFIN DE RÉDUIRE LE RISQUE DE BLESSURES, L'UTILISATEUR DOIT LIRE LE MANUEL DE L'UTILISATEUR.***

***PARA REDUCIR EL RIESGO DE LESIONES, EL USUARIO DEBE LEER EL MANUAL DEL OPERADOR.***

## GENERAL SAFETY RULES — FOR ALL POWER TOOLS



### WARNING

#### READ ALL INSTRUCTIONS

Failure to follow all instructions listed below may result in electric shock, fire and/or serious injury. The term "power tool" in all of the warnings listed below refers to your mains-operated (corded) power tool or battery-operated (cordless) power tool.

#### SAVE THESE INSTRUCTIONS

### WORK AREA SAFETY

1. **Keep work area clean and well lit.** Cluttered or dark areas invite accidents.
2. **Do not operate power tools in explosive atmospheres, such as in the presence of flammable liquids, gases, or dust.** Power tools create sparks which may ignite the dust or fumes.
3. **Keep children and bystanders away while operating a power tool.** Distractions can cause you to lose control.

### ELECTRICAL SAFETY

4. **Power tool plugs must match the outlet. Never modify the plug in any way. Do not use any adapter plugs with earthed (grounded) power tools.** Unmodified plugs and matching outlets will reduce risk of electric shock.
5. **Avoid body contact with earthed or grounded surfaces such as pipes, radiators, ranges and refrigerators.** There is an increased risk of electric shock if your body is earthed or grounded.
6. **Do not expose power tools to rain or wet conditions.** Water entering a power tool will increase the risk of electric shock.
7. **Do not abuse the cord. Never use the cord for carrying, pulling, or unplugging the power tool. Keep cord away from heat, oil, sharp edges, or moving parts.** Damaged or entangled cords increase the risk of electric shock.
8. **When operating a power tool outdoors, use an extension cord suitable for outdoor use.** Use of a cord suitable for outdoor use reduces the risk of electric shock.

### PERSONAL SAFETY

9. **Stay alert, watch what you are doing and use common sense when operating a power tool. Do not use a power tool while you are tired or under the influence of drugs, alcohol or medication.** A moment of inattention while operating power tools may result in serious personal injury.
10. **Use safety equipment. Always wear eye protection.** Safety equipment such as dust mask, non-skid safety shoes, hard hat, or hearing protection used for appropriate conditions will reduce personal injuries.
11. **Avoid accidental starting. Ensure the switch is in the off-position before plugging in.** Carrying tools with your finger on the switch or plugging in power tools that have the switch on invites accidents.
12. **Remove any adjusting key or wrench before turning the power tool on.** A wrench or a key left attached to a rotating part of the power tool may result in personal injury.
13. **Do not overreach. Keep proper footing and balance at all times.** This enables better control of the power tool in unexpected situations.
14. **Dress properly. Do not wear loose clothing or jewellery. Keep your hair, clothing and gloves away from moving parts.** Loose clothes, jewellery, or long hair can be caught in moving parts.
15. **If devices are provided for the connection of dust extraction and collection facilities, ensure these are connected and properly used.** Use of these devices can reduce dust-related hazards.

## POWER TOOL USE AND CARE

16. **Do not force the power tool. Use the correct power tool for your application.** The correct power tool will do the job better and safer at the rate for which it was designed.
17. **Do not use the power tool if the switch does not turn it on and off.** Any power tool that cannot be controlled with the switch is dangerous and must be repaired.
18. **Disconnect the plug from the power source and/or the battery pack from the power tool before making any adjustments, changing accessories, or storing power tools.** Such preventive safety measures reduce the risk of starting the tool accidentally.
19. **Store idle power tools out of the reach of children and do not allow persons unfamiliar with the power tools or these instructions to operate power tools.** Power tools are dangerous in the hands of untrained users.
20. **Maintain power tools. Check for misalignment or binding of moving parts, breakage of parts and any other condition that may affect the power tool's operation. If damaged, have the power tool repaired before use.** Many accidents are caused by poorly maintained power tools.
21. **Keep cutting tools sharp and clean.** Properly maintained cutting tools with sharp cutting edges are less likely to bind and are easier to control.
22. **Use the power tool, accessories and tool bits etc., in accordance with these instructions and in the manner intended for the particular type of power tool, taking into account the working conditions and the work to be performed.** Use of the power tool for operations different from those intended could result in a hazardous situation.

### SERVICE

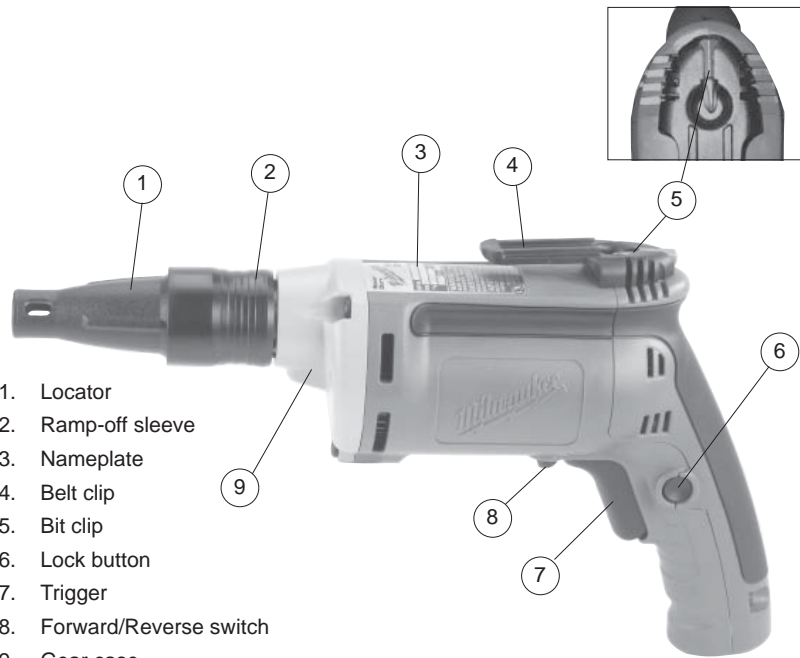
23. **Have your power tool serviced by a qualified repair person using only identical replacement parts.** This will ensure that the safety of the power tool is maintained.

## SPECIFIC SAFETY RULES

1. **Hold power tools by insulated gripping surfaces when performing an operation where the cutting tool may contact hidden wiring or its own cord.** Contact with a "live" wire will make exposed metal parts of the tool "live" and shock the operator.
2. **Maintain labels and nameplates.** These carry important information. If unreadable or missing, contact a MILWAUKEE service facility for a free replacement.
3. **WARNING!** Some dust created by power sanding, sawing, grinding, drilling, and other construction activities contains chemicals known to cause cancer, birth defects or other reproductive harm. Some examples of these chemicals are:
  - lead from lead-based paint
  - crystalline silica from bricks and cement and other masonry products, and
  - arsenic and chromium from chemically-treated lumber.

Your risk from these exposures varies, depending on how often you do this type of work. To reduce your exposure to these chemicals: work in a well ventilated area, and work with approved safety equipment, such as those dust masks that are specifically designed to filter out microscopic particles.

## FUNCTIONAL DESCRIPTION



1. Locator
2. Ramp-off sleeve
3. Nameplate
4. Belt clip
5. Bit clip
6. Lock button
7. Trigger
8. Forward/Reverse switch
9. Gear case

### Symbology

	Double Insulated
	Underwriters Laboratories, Inc.
	Canadian Standards Association
	Mexican Approvals Marking
	Volts Alternating Current
$n_0$ xxxx/min.	No Load Revolutions per Minute (RPM)
<b>A</b>	Amperes

### Specifications

Catalog Number	Volts AC	Amps	RPM
6580-20	120	6.5	0 - 1200
6581-20	120	6.5	0 - 2500
6702-20	120	6.5	0 - 2500
6703-20	120	6.5	0 - 4000
6706-20	120	6.5	0 - 2500
6707-20	120	6.5	0 - 4000
6708-20	120	6.5	0 - 2500
6708-21	120	6.5	0 - 2500
6740-20	120	6.5	0 - 2500
6742-20	120	6.5	0 - 4000
6743-20	120	6.5	0 - 4000
6780-20	120	6.5	0 - 2500
6790-20	120	6.5	0 - 2500
6791-20	120	6.5	0 - 2500
6791-21	120	6.5	0 - 2500
6792-20	120	6.5	0 - 2500

## GROUNDING



### WARNING

Improperly connecting the grounding wire can result in the risk of electric shock. Check with a qualified electrician if you are in doubt as to whether the outlet is properly grounded. Do not modify the plug provided with the tool. Never remove the grounding prong from the plug. Do not use the tool if the cord or plug is damaged. If damaged, have it repaired by a MILWAUKEE service facility before use. If the plug will not fit the outlet, have a proper outlet installed by a qualified electrician.

### Grounded Tools: Tools with Three Prong Plugs

Tools marked "Grounding Required" have a three wire cord and three prong grounding plug. The plug must be connected to a properly grounded outlet (See Figure A). If the tool should electrically malfunction or break down, grounding provides a low resistance path to carry electricity away from the user, reducing the risk of electric shock.

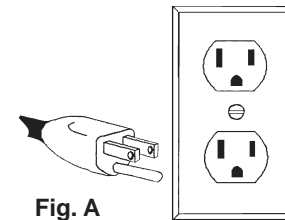


Fig. A

The grounding prong in the plug is connected through the green wire inside the cord to the grounding system in the tool. The green wire in the cord must be the only wire connected to the tool's grounding system and must never be attached to an electrically "live" terminal.

Your tool must be plugged into an appropriate outlet, properly installed and grounded in accordance with all codes and ordinances. The plug and outlet should look like those in Figure A.

### Double Insulated Tools: Tools with Two Prong Plugs

Tools marked "Double Insulated" do not require grounding. They have a special double insulation system which satisfies OSHA requirements and complies with the applicable standards of Underwriters Laboratories, Inc., the Canadian Standard Association and the National Electrical Code. Double Insulated tools may be used in either of the 120 volt outlets shown in Figures B and C.

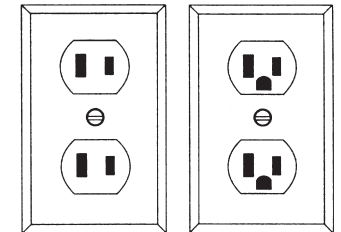


Fig. B

Fig. C

## EXTENSION CORDS

Grounded tools require a three wire extension cord. Double insulated tools can use either a two or three wire extension cord. As the distance from the supply outlet increases, you must use a heavier gauge extension cord. Using extension cords with inadequately sized wire causes a serious drop in voltage, resulting in loss of power and possible tool damage. Refer to the table shown to determine the required minimum wire size.

The smaller the gauge number of the wire, the greater the capacity of the cord. For example, a 14 gauge cord can carry a higher current than a 16 gauge cord. When using more than one extension cord to make up the total length, be sure each cord contains at least the minimum wire size required. If you are using one extension cord for more than one tool, add the nameplate amperes and use the sum to determine the required minimum wire size.

### Guidelines for Using Extension Cords

- If you are using an extension cord outdoors, be sure it is marked with the suffix "W-A" ("W" in Canada) to indicate that it is acceptable for outdoor use.
- Be sure your extension cord is properly wired and in good electrical condition. Always replace a damaged extension cord or have it repaired by a qualified person before using it.
- Protect your extension cords from sharp objects, excessive heat and damp or wet areas.

### Recommended Minimum Wire Gauge for Extension Cords\*

Nameplate Amperes	Extension Cord Length				
	25'	50'	75'	100'	150'
0 - 2.0	18	18	18	18	16
2.1 - 3.4	18	18	18	16	14
3.5 - 5.0	18	18	16	14	12
5.1 - 7.0	18	16	14	12	12
7.1 - 12.0	16	14	12	10	
12.1 - 16.0	14	12	10		
16.1 - 20.0	12	10			

\* Based on limiting the line voltage drop to five volts at 150% of the rated amperes.

**READ AND SAVE ALL INSTRUCTIONS FOR FUTURE USE.**

## TOOL ASSEMBLY



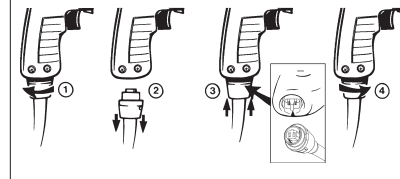
### WARNING

To reduce the risk of injury, always unplug tool before attaching or removing accessories or making adjustments. Use only specifically recommended accessories. Others may be hazardous.

### Removing and Replacing Quik-Lok® Cords (Fig. 1) Cat. No. 6580-20, 6581-20, 6702-20, 6703-20, 6706-20, 6707-20, 6708-20, 6791-20

MILWAUKEE's exclusive Quik-Lok® Cords provide instant field replacement or substitution.

Fig. 1



1. To remove the Quik-Lok® Cord, turn the cord nut 1/4 turn to the left and pull it out.
2. To replace the Quik-Lok® Cord, align the connector keyways and push the connector in as far as it will go. Turn the cord nut 1/4 turn to the right to lock.

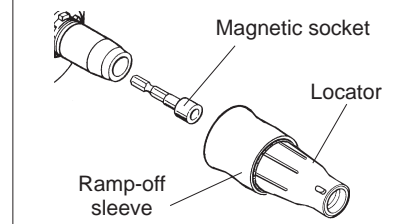
### Installing Driving Mechanism Cat. No. 6706-20, 6707-20, 6708-20

Install the final driving mechanism according to the instructions included with the tool's attachment.

### Installing and Removing Bits (Fig. 2) TEKS Ramp-Off Locator Assembly

The locator assembly must be removed when changing bit sizes.

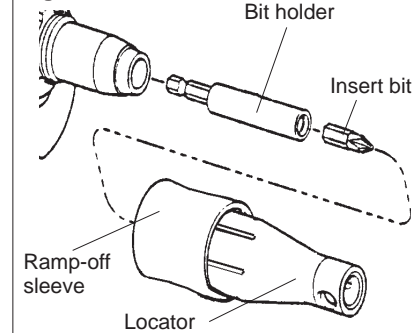
Fig. 2



1. Unplug tool. To remove the locator assembly, turn the ramp-off sleeve while pulling it away from the tool.
2. Pull out the magnetic socket and replace it with a new socket.
3. Push the locator assembly onto the nose of the tool until it snaps into place.

### Installing and Removing Bits (Fig. 3) Drywall Ramp-Off Locator Assembly

Fig. 3

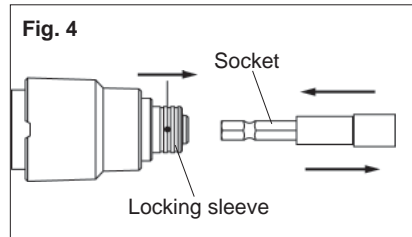


1. Unplug tool. To remove the locator assembly, turn the ramp-off sleeve while pulling it away from the tool.
2. Push insert bit into bit holder until it snaps into place. Push the bit holder into the nose of the tool until it snaps into place.
3. Push the locator assembly onto the nose of the tool until it snaps into place.

## Installing and Removing Magnetic Sockets on Adjustable Screwdrivers

### For Cat. Nos. 6580-20 & 6581-20 (Fig. 4)

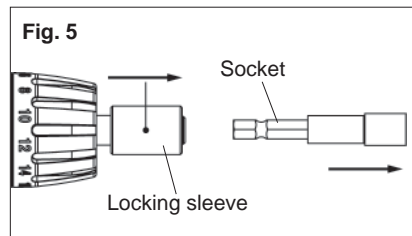
1. Unplug tool.
2. To remove the magnetic socket, slide the locking sleeve forward and pull out the socket.



3. To install the magnetic socket, slide the locking sleeve forward and push in the socket until it is fully seated.

### For Cat. No. 6780-20 (Fig. 5)

1. Unplug tool.
2. To remove the magnetic socket, slide the locking sleeve forward and pull out the socket.



3. To install the magnetic socket, simply push in the socket until it snaps into place.

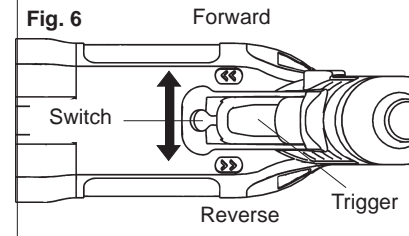
## OPERATION



### WARNING

To reduce the risk of injury, wear safety goggles or glasses with side shields. Unplug the tool before changing accessories or making adjustments.

### Using Forward/Reverse Switch (Fig. 6)



1. For forward (clockwise) rotation, push the forward/reverse switch to the left position as shown.
2. For reverse (counterclockwise) rotation, push the forward/reverse switch to the right position as shown.

Although an interlock prevents reversing the tool while the motor is running, allow it to come to a full stop before reversing.



### WARNING

To reduce the risk of injury, keep hands and cord away from the bit and all moving parts.

### Starting, Stopping and Controlling Speed

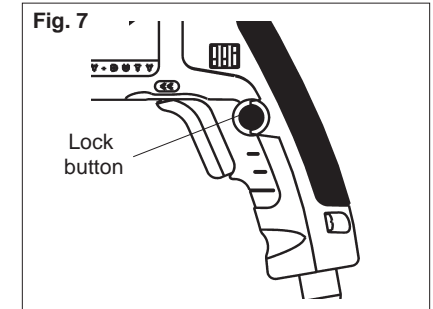
1. To **start** the tool, pull the trigger.
2. To **stop** the tool, release the trigger.
3. To vary the drilling speed, simply increase or decrease pressure on the trigger. The further the trigger is pulled, the greater the speed.

### Locking Trigger (Fig. 7)

The lock button holds the trigger in the ON position for continuous full speed use.

1. To **lock** the trigger, hold the lock button in while pulling the trigger. Release the trigger.

2. To **unlock** the trigger, pull the trigger and release. The lock button will pop out.

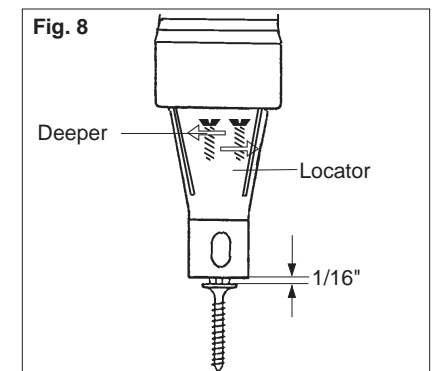


### Adjusting Locator Assembly (Fig. 8)

The locator assembly controls the tool's driving depth. These screwdrivers feature a locator assembly with one-handed depth adjustment. Depth adjustments can be made easily and quickly by turning the locator with one hand. Detents inside the sleeve "lock" the selected depth.


For the drywall ramp-off locator assembly, start with about 1/16" clearance between the head of the screw and nose with the snap-action clutch disengaged as shown.

For both locator assemblies, the detents on the inside of the sleeve represent different depths. Every two clicks of the locator equal 1/64". Continue adjusting the locator to the desired depth.



1. To increase the driving depth, simply rotate the locator in the direction labeled .



- To decrease the driving depth, simply rotate the locator in the direction labeled .
- The detents "lock" the locator in place, ensuring an accurate depth setting.
- To remove the locator assembly, turn the ramp-off sleeve while pulling it away from the tool. Reattaching the locator assembly will not change the depth setting.

### Adjusting Torque Setting

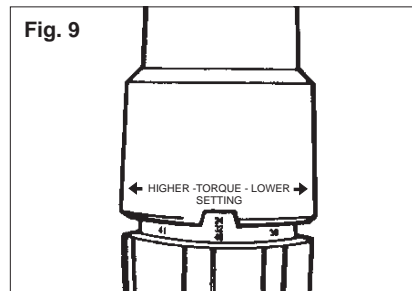
These screwdrivers have a torque setting adjustment collar for driving different types of screws into different materials. When properly adjusted, the clutch will slip at a preset torque to prevent driving the screw too deep and to prevent damage to the screw or tool.

### For Cat. Nos. 6580-20 & 6581-20 (Fig. 9)

The 6580-20 Screwdriver has a torque setting adjustment collar that may be adjusted to one of forty-four settings. The torque is adjustable from 10 to 140 inch-pounds.

The 6581-20 Screwdriver has a torque setting adjustment collar that may be adjusted to one of thirty-three settings. Beyond setting thirty-three, the tool will stall before slipping the clutch. The torque is adjustable from 10 to 110 inch-pounds.

To select a setting, turn the adjustment collar in the direction indicated on the tool. The selected setting will appear in the window as shown (Fig. 9).

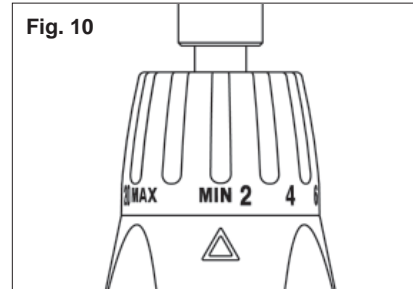


**NOTE:** Use a piece of scrap material to test the different settings before driving screws into workpiece. To determine a specific setting for your application, use a torque wrench to check the correct torque at any particular setting.

### For Cat. No. 6780-20 (Fig. 10)

The 6780-20 Screwdriver has a torque setting adjustment collar that may be adjusted to one of twenty-one settings. The torque is adjustable from 10 to 140 inch-pounds.

To select a setting, turn the adjustment collar on the tool. The selected setting will appear above the arrow as shown (Fig. 10).



**NOTE:** Use a piece of scrap material to test the different settings before driving screws into workpiece. To determine a specific setting for your application, use a torque wrench to check the correct torque at any particular setting.

## APPLICATIONS



### WARNING

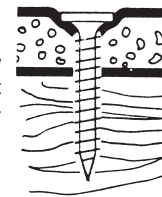
To reduce the risk of explosion, electric shock and property damage, always check the work area for hidden pipes and wires before drilling.

### Driving Drywall Screws (Fig. 11) For Screwdrivers Rated 0-4000 RPM

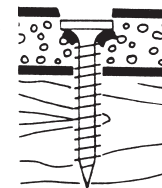
Standard drywall screws are generally designed for attaching drywall to wood studs and 26 through 20-gauge steel studs. MILWAUKEE Screwdrivers are ideal for driving these types of drywall screws. The depth setting is very important. Refer to the guide below for the correct depth setting (Fig. 11).

Fig. 11

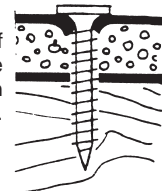
**Correct.** Head of screw is below surface, but does not puncture facing.



**Too deep.** Head of screw punches hole in drywall surface, making finishing difficult and allowing moisture beneath facing. Decrease depth.



**Too shallow.** Head of screw extends above drywall face and can not be finished off. Increase depth.



- Select the proper drywall screw for each job. Pilot holes are not needed. To insert screws, place the screw onto the insert bit, then align the screw against the work surface, making sure to hold the tool and screw square to the work surface.

If the tool or screw are misaligned, the screw will not drive into the work surface or it will not drive straight.

- Pull the trigger and push the tool forward with a "punching" motion to sink the screw into the drywall. A punching motion will engage the snap-action clutch, cause the screw to start rotating, sink the screw and disengage the snap-action clutch within a fraction of a second. If pressure is not maintained on the tool after engaging the snap-action clutch, the screw will not properly seat.

The snap-action clutch will automatically disengage and the insert bit will stop rotating once the screw has been driven to the selected depth.

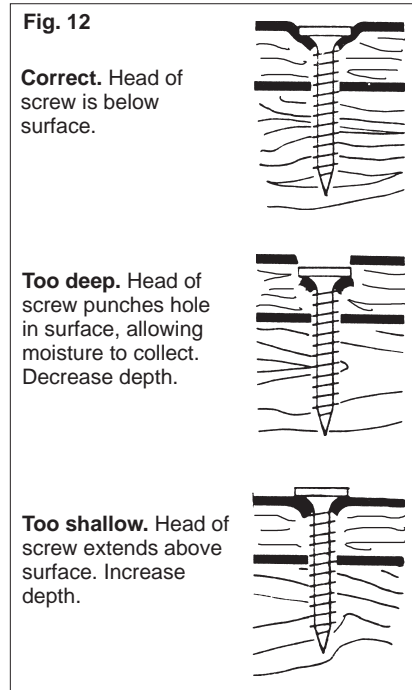
These screwdrivers feature a snap-action clutch, which may ratchet slightly when the screw is sunk to the selected depth.

**NOTE:** Practice driving screws into pieces of scrap material to become familiar with the tool and the snap-action clutch action before attempting to drive screws into the workpiece.

- To remove screws, remove the locator assembly and switch the forward/reverse switch to the reverse position. Reattaching the locator assembly will not change the depth setting.

**Driving Decking Screws (Fig. 12)  
For Screwdrivers with Depth Locators  
Rated 0-2500 RPM**

Standard decking screws are generally designed for attaching wood to wood studs. *MILWAUKEE* Screwdrivers are ideal for driving these types of decking screws. The depth setting is very important. Refer to the guide below for the correct depth setting (Fig. 12).



1. Select the proper decking screw for each job. Pilot holes are not needed. To insert screws, place the screw onto the insert bit, then align the screw against the work surface, making sure to hold the tool and screw square to the work surface.

If the tool or screw are misaligned, the screw will not drive into the work surface or it will not drive straight. Wood screws have sharp points or drill points, and course threads that help the screw through the wood.

2. Pull the trigger and push the tool forward to sink the screw into the wood. A quick motion will engage the snap-action clutch, cause the screw to start rotating, sink the screw and disengage the snap-action clutch within a fraction of a second. If pressure is not maintained on the tool after engaging the snap-action clutch, the screw will not properly seat.

The snap-action clutch will automatically disengage and the insert bit will stop rotating once the screw has been driven to the selected depth.

These screwdrivers feature a snap-action clutch, which may ratchet slightly when the screw is sunk to the selected depth.

**NOTE:** Practice driving screws into pieces of scrap material to become familiar with the tool and the snap-action clutch action before attempting to drive screws into the workpiece.

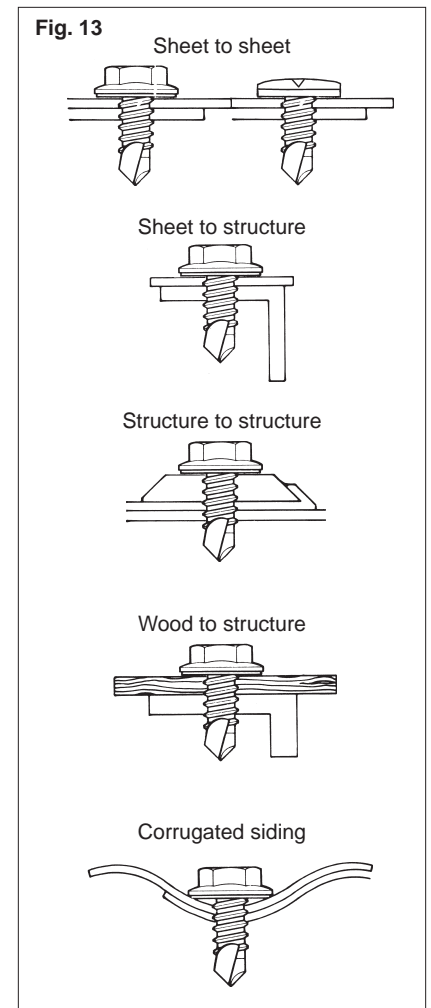
3. To remove screws, remove the locator assembly and switch the forward/reverse switch to the reverse position. Reattaching the locator assembly will not change the depth setting.

**Driving Self-Drilling Screws into  
Cold-Formed Steel Framing (Fig. 13)  
For Adjustable Torque Screwdrivers  
Rated 0-2500 RPM**

Follow this procedure when working with light gauge sheet metal, 20 gauge and thicker.

The screw may hesitate slightly when it finishes breaking through the first layer of material and starts to penetrate the sheet metal. This is normal. Keep firm pressure on the tool until the screw is fully seated.

Self-drilling and self-tapping screws drill, tap and fasten in one quick, easy motion without a separate drilling operation. Their unique design works in metal up to 1/2" thick, giving a strong, reliable hold. The drill point ensures rapid drilling and consistently low drilling pressure while the drill flutes remove drilling chips. The pilot section ensures that drilling is completed before the first thread engages the material. These screws can be used in many applications as shown at the right.



1. Insert screw into the hex socket and align the screw against the work surface.
2. Pull the trigger while pushing the tool forward. This motion will engage the drive clutch, causing the screw to start rotating. If pressure is not maintained on the tool, the drive clutch will disengage and the screw will stop rotating.

When the selected torque is fully reached, the torque clutch will ratchet. If the screw is not fully seated, increase the torque setting number until the desired torque is obtained.

**NOTE:** Practice driving screws into pieces of scrap material to become familiar with the tool and the clutch action before attempting to drive screws into the workpiece.

3. To remove screws, switch the forward/reverse switch to the reverse position.

### Driving Wood Screws

When driving wood screws, a pilot hole is recommended to make driving easier and to prevent splitting the wood. As a general rule, the pilot hole should have a diameter of approximately 70% the size of the screw diameter. Hardwood pilot holes should have a diameter of approximately 90% the size of the screw diameter. The depth of the pilot hole should be shorter than the length of the screw by at least one screw diameter. This allows the tip of the screw to bite into the wood for extra holding power.

Counterbore the top portion of the hole for a free fit of the shank between the screw head and the threads. When using flat head screws, countersink the top of the hole to allow the screw head to be driven flush with the work surface. Use soap or wax for easier screw insertion if necessary.

## MAINTENANCE



### WARNING

**To reduce the risk of injury, always unplug your tool before performing any maintenance. Never disassemble the tool or try to do any rewiring on the tool's electrical system. Contact a MILWAUKEE service facility for ALL repairs.**

### Maintaining Tools

Keep your tool in good repair by adopting a regular maintenance program. Before use, examine the general condition of your tool. Inspect guards, switches, tool cord set and extension cord for damage. Check for loose screws, misalignment, binding of moving parts, improper mounting, broken parts and any other condition that may affect its safe operation. If abnormal noise or vibration occurs, turn the tool off immediately and have the problem corrected before further use. Do not use a damaged tool. Tag damaged tools "DO NOT USE" until repaired (see "Repairs").

Under normal conditions, relubrication is not necessary until the motor brushes need to be replaced. After six months to one year, depending on use, return your tool to the nearest MILWAUKEE service facility for the following:

- Lubrication
- Brush inspection and replacement
- Mechanical inspection and cleaning (gears, spindles, bearings, housing, etc.)
- Electrical inspection (switch, cord, armature, etc.)
- Testing to assure proper mechanical and electrical operation



### WARNING

**To reduce the risk of injury, electric shock and damage to the tool, never immerse your tool in liquid or allow a liquid to flow inside the tool.**

### Cleaning

Clean dust and debris from vents. Keep the tool handles clean, dry and free of oil or grease. Use only mild soap and a damp cloth to clean your tool since certain cleaning agents and solvents are harmful to plastics and other insulated parts. Some of these include: gasoline, turpentine, lacquer thinner, paint thinner, chlorinated cleaning solvents, ammonia and household detergents containing ammonia. Never use flammable or combustible solvents around tools.

### Repairs

If your tool is damaged, return the entire tool to the nearest service center.

## ACCESSORIES



### WARNING

**To reduce the risk of injury, always unplug the tool before attaching or removing accessories. Use only specifically recommended accessories. Others may be hazardous.**

For a complete listing of accessories refer to your MILWAUKEE Electric Tool catalog or go on-line to [www.milwaukeeetool.com](http://www.milwaukeeetool.com). To obtain a catalog, contact your local distributor or a service center.

### Quik-Lok® Cord Sets

8' - Cat. No. 48-76-4008

25' - Cat. No. 48-76-4025

### Carrying Case

Cat. No. 48-55-0711

## FIVE YEAR TOOL LIMITED WARRANTY

Every MILWAUKEE tool is tested before leaving the factory and is warranted to be free from defects in material and workmanship. MILWAUKEE will repair or replace (at MILWAUKEE's discretion), without charge, any tool (including battery chargers) which examination proves to be defective in material or workmanship from five (5) years after the date of purchase. Return the tool and a copy of the purchase receipt or other proof of purchase to a MILWAUKEE Factory Service/Sales Support Branch location or MILWAUKEE Authorized Service Station, freight prepaid and insured. This warranty does not cover damage from repairs made or attempted by other than MILWAUKEE authorized personnel, abuse, normal wear and tear, lack of maintenance, or accidents.

The warranty period for V28 Battery Packs is two (2) years from the date of purchase. The warranty period for Ni-Cd battery Packs, Flashlights, Radios are warranted for one (1) year from the date of purchase.

THE REPAIR AND REPLACEMENT REMEDIES DESCRIBED HEREIN ARE EXCLUSIVE. IN NO EVENT SHALL MILWAUKEE BE LIABLE FOR ANY INCIDENTAL, SPECIAL, OR CONSEQUENTIAL DAMAGES, INCLUDING LOSS OF PROFITS.

THIS WARRANTY IS EXCLUSIVE AND IN LIEU OF ALL OTHER WARRANTIES, OR CONDITIONS, WRITTEN OR ORAL, EXPRESSED OR IMPLIED FOR MERCHANTABILITY OR FITNESS FOR PARTICULAR USE OR PURPOSE.

This warranty gives you specific legal rights. You may also have other rights that vary from state to state and province to province. In those states that do not allow the exclusion of implied warranties or limitation of incidental or consequential damages, the above limitations or exclusions may not apply to you. This warranty applies to the United States, Canada, and Mexico only.



## RÈGLES GÉNÉRALES DE SÉCURITÉ POUR LES OUTILS ÉLECTRIQUE



### AVERTISSEMENT

#### LIRE SOIGNEUSEMENT TOUTES LES INSTRUCTIONS

Le non respect des instructions ci-après peut entraîner des chocs électriques, des incendies et/ou des blessures graves. Le terme «outil électrique» figurant dans les avertissements ci-dessous renvoie à l'outil électrique à alimentation par le réseau (à cordon) ou par batterie (sans fil).

#### CONSERVER CES INSTRUCTIONS

### SÉCURITÉ DU LIEU DE TRAVAIL

1. **Maintenir la zone de travail propre et bien éclairée.** Les zones encombrées ou mal éclairées sont favorables aux accidents.
2. **Ne pas utiliser d'outil électrique dans une atmosphère explosive, telle qu'en présence de liquides, de gaz ou de poussières inflammables.** Les outils électriques génèrent des étincelles qui peuvent enflammer les poussières ou les fumées.
3. **Tenir les enfants et les personnes non autorisées à l'écart pendant le fonctionnement d'un outil électrique.** Un manque d'attention de l'opérateur risque de lui faire perdre le contrôle de l'outil.

### SÉCURITÉ ÉLECTRIQUE

4. **La fiche de l'outil électrique doit correspondre à la prise d'alimentation. Ne jamais modifier la fiche d'une manière quelconque. Ne pas utiliser d'adaptateur avec les outils électriques mis à la terre (à la masse).** Des fiches non modifiées et des prises d'alimentation assorties réduisent le risque de choc électrique.
5. **Éviter tout contact corporel avec des surfaces reliées à la masse ou à la terre telles que tuyaux, radiateurs, cuisinières et réfrigérateurs.** Un risque de choc électrique plus élevé existe si le corps est relié à la masse ou à la terre.
6. **Ne pas exposer les outils électriques à la pluie ou à l'humidité.** Le risque de choc électrique augmente si de l'eau s'infiltré dans un outil électrique.

7. **Prendre soin du cordon. Ne jamais utiliser le cordon pour transporter, tirer ou débrancher l'outil électrique. Tenir le cordon à l'écart de la chaleur, des huiles, des arêtes coupantes ou des pièces en mouvement.** Un cordon endommagé ou emmêlé présente un risque accru de choc électrique.
8. **Se procurer un cordon d'alimentation approprié en cas d'utilisation d'un outil électrique à l'extérieur.** L'utilisation d'un cordon d'alimentation pour usage extérieur réduit le risque de choc électrique.

### SÉCURITÉ INDIVIDUELLE

9. **Être sur ses gardes, être attentif et faire preuve de bon sens en utilisant un outil électrique. Ne pas utiliser un outil électrique en cas de fatigue ou sous l'influence de drogues, d'alcool ou de médicaments.** Un instant d'inattention lors de l'utilisation d'un outil électrique peut entraîner des blessures graves.
10. **Utiliser un équipement de sécurité. Toujours porter des lunettes de protection.** Un équipement de sécurité comprenant masque anti-poussière, chaussures de sécurité anti-dérapantes, casque ou dispositif de protection anti-bruit peut, dans les circonstances appropriées, réduire le risque de blessure.
11. **Éviter tout démarrage accidentel de l'outil. S'assurer que le commutateur est en position OFF (Arrêt) avant de brancher l'outil.** Le port de l'outil avec un doigt sur le commutateur ou son branchement avec le commutateur en position ON (Marche) sont favorables aux accidents.

12. **Retirer toute clé de réglage avant de mettre l'outil sous tension.** Une clé laissée attachée sur une pièce mobile de l'outil électrique peut entraîner des blessures.
13. **Ne pas travailler à bout de bras. Bien garder un bon équilibre à tout instant.** Ceci permet de mieux préserver la maîtrise de l'outil électrique dans des situations imprévues.
14. **Porter des vêtements adéquats. Ne pas porter de vêtements amples ni de bijoux. Ne pas approcher les cheveux, vêtements et gants des pièces en mouvement.** Les vêtements amples, les bijoux ou les cheveux longs risquent d'être happés par les pièces en mouvement.
15. **Si des dispositifs sont prévus pour l'extraction et la récupération des poussières, vérifier qu'ils sont connectés et utilisés correctement.** L'utilisation de ces dispositifs peut réduire les risques liés aux poussières.

### UTILISATION ET ENTRETIEN DE L'OUTIL ÉLECTRIQUE

16. **Ne pas forcer l'outil électrique. Utiliser l'outil électrique approprié à l'application considérée.** L'outil électrique adapté au projet considéré produira de meilleurs résultats, dans des conditions de sécurité meilleures, à la vitesse pour laquelle il a été conçu.
17. **Ne pas utiliser l'outil électrique si le commutateur ne le met pas sous ou hors tension.** Tout outil électrique dont le commutateur de marche-arrêt est inopérant est dangereux et doit être réparé.
18. **Débrancher la fiche de la prise d'alimentation et/ou la batterie de l'outil électrique avant d'effectuer des réglages, de changer d'accessoires ou de ranger l'outil.** De telles mesures de sécurité préventive réduisent le risque de mettre l'outil en marche accidentellement.
19. **Ranger les outils électriques inutilisés hors de la portée des enfants et ne pas laisser des personnes qui connaissent mal les outils électriques ou ces instructions utiliser ces outils.** Les outils électriques sont dangereux dans les mains d'utilisateurs non formés à leur usage.

20. **Entretien des outils électriques. S'assurer de l'absence de tout désalignement ou de grippage des pièces mobiles, de toute rupture de pièce ou de toute autre condition qui pourrait affecter le bon fonctionnement de l'outil électrique. En cas de dommages, faire réparer l'outil avant de l'utiliser de nouveau.** Les outils électriques mal entretenus sont à la source de nombreux accidents.
21. **Garder les outils de coupe affûtés et propres.** Les outils de coupe correctement entretenus et bien affûtés risquent moins de se gripper et sont plus faciles à manier.
22. **Utiliser cet outil électrique, les accessoires, les mèches, etc. conformément à ces instructions et de la façon prévue pour ce type particulier d'outil électrique, tout en prenant en compte les conditions de travail et le type de projet considérés.** L'utilisation de cet outil électrique pour un usage autre que l'usage prévu peut créer des situations dangereuses.

### ENTRETIEN

23. **Faire effectuer l'entretien de l'outil électrique par un technicien qualifié qui n'utilisera que des pièces de rechange identiques.** La sécurité d'utilisation de l'outil en sera préservée.

### RÈGLES DE SÉCURITÉ PARTICULIÈRE

1. **Tenir l'outil par les surfaces de prise isolées si, au cours des travaux, l'outil de coupe risque d'entrer en contact avec des fils cachés ou avec son propre cordon.** Le contact avec un fil sous tension met les parties métalliques exposées de l'outil sous tension, ce qui infligera un choc électrique à l'opérateur.
2. **Entretenez les étiquettes et marqies di fabricant.** Les indications qu'elles contiennent sont précieuses. Si elles deviennent illisibles ou se détachent, faites-les remplacer gratuitement à un centre de service MILWAUKEE accrédité.

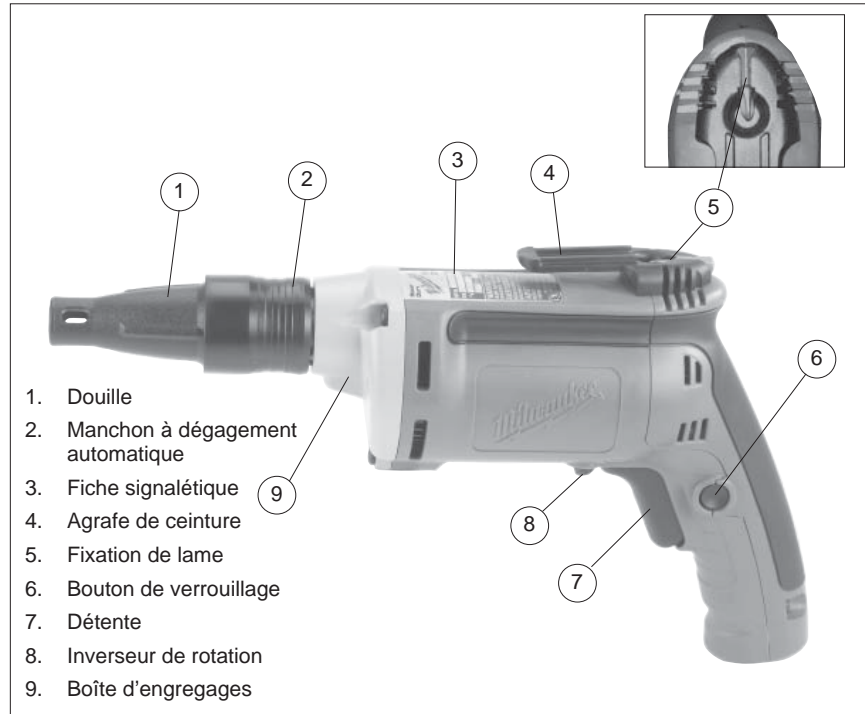
3. **AVERTISSEMENT!** La poussière de gage par perçage, sclage, perçage et autres travaux de construction contient des substances chimiques reconnues comme pouvant causer le cancer, des malformations congénitales ou d'autres troubles de reproduction. Voici quelques exemples de telles substances :

- Le plomb contenu dans la peinture au plomb.
- Le silice cristallin contenu dans la brique, le béton et divers produits de maçonnerie.

- L'arsenic et le chrome servant au traitement chimique du bois.

Les risques associés à l'exposition à ces substances varient, dépendant de la fréquence des travaux. Afin de minimiser l'exposition à ces substances chimiques, assurez-vous de travailler dans un endroit bien aéré et d'utiliser de l'équipement de sécurité tel un masque antipoussière spécifiquement conçu pour la filtration de particules microscopiques.

### DESCRIPTION FONCTIONNELLE



1. Douille
2. Manchon à dégagement automatique
3. Fiche signalétique
4. Agrafe de ceinture
5. Fixation de lame
6. Bouton de verrouillage
7. Détonne
8. Inverseur de rotation
9. Boîte d'engrenages

### Pictographie

	Double Isolation		Underwriters Laboratories, Inc.
	Courant alternatif		l'Association canadienne de normalisation (ACNOR)
	Ampères		Inscription mexicaine d'approbation
$n_0$ xxxx/min.	Tours-minute à vide (RPM)		

### MISE A LA TERRE

#### AVERTISSEMENT

Si le fil de mise à la terre est incorrectement raccordé, il peut en résulter des risques de choc électrique. Si vous n'êtes pas certain que la prise dont vous vous servez est correctement mise à la terre, faites-la vérifier par un électricien. N'altérez pas la fiche du cordon de l'outil. N'enlevez pas de la fiche, la dent qui sert à la mise à la terre. N'employez pas l'outil si le cordon ou la fiche sont en mauvais état. Si tel est le cas, faites-les réparer dans un centre-service MILWAUKEE accrédité avant de vous en servir. Si la fiche du cordon ne s'adapte pas à la prise, faites remplacer la prise par un électricien.

#### Outils mis à la terre : Outils pourvus d'une fiche de cordon à trois dents

Les outils marqués « Mise à la terre requise » sont pourvus d'un cordon à trois fils dont la fiche a trois dents. La fiche du cordon doit être branchée sur une prise correctement mise à la terre (voir Figure A). De cette façon, si une défektivité dans le circuit électrique de l'outil survient, le relais à la terre fournira un conducteur à faible résistance pour décharger le courant et protéger l'utilisateur contre les risques de choc électrique.

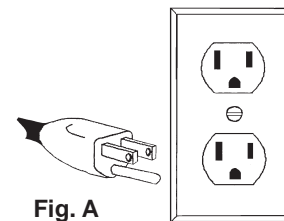


Fig. A

La dent de mise à la terre de la fiche est reliée au système de mise à la terre de l'outil via le fil vert du cordon. Le fil vert du cordon doit être le seul fil raccordé à un bout au système de mise à la terre de l'outil et son autre extrémité ne doit jamais être raccordée à une borne sous tension électrique.

Votre outil doit être branché sur une prise appropriée, correctement installée et mise à la terre conformément aux codes et ordonnances en vigueur. La fiche du cordon et la prise de courant doivent être semblables à celles de la Figure A.

#### Outils à double isolation : Outils pourvus d'une fiche de cordon à deux dents

Les outils marqués « Double Isolation » n'ont pas besoin d'être raccordés à la terre. Ils sont pourvus d'une double isolation conforme aux exigences de l'OSHA et satisfont aux normes de l'Underwriters Laboratories, Inc., de l'Association canadienne de normalisation (ACNOR) et du « National Electrical Code » (code national de l'électricité). Les outils à double isolation peuvent être branchés sur n'importe laquelle des prises à 120 volt illustrées ci-contre Figure B et C.

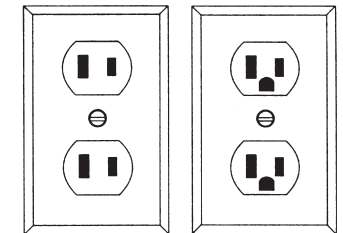


Fig. B

Fig. C

## CORDONS DE RALLONGE

Si l'emploi d'un cordon de rallonge est nécessaire, un cordon à trois fils doit être employé pour les outils mis à la terre. Pour les outils à double isolation, on peut employer indifféremment un cordon de rallonge à deux ou trois fils. Plus la longueur du cordon entre l'outil et la prise de courant est grande, plus le calibre du cordon doit être élevé. L'utilisation d'un cordon de rallonge incorrectement calibré entraîne une chute de voltage résultant en une perte de puissance qui risque de détériorer l'outil. Reportez-vous au tableau ci-contre pour déterminer le calibre minimum du cordon.

Moins le calibre du fil est élevé, plus sa conductivité est bonne. Par exemple, un cordon de calibre 14 a une meilleure conductivité qu'un cordon de calibre 16. Lorsque vous utilisez plus d'une rallonge pour couvrir la distance, assurez-vous que chaque cordon possède le calibre minimum requis. Si vous utilisez un seul cordon pour brancher plusieurs outils, additionnez le chiffre d'intensité (ampères) inscrit sur la fiche signalétique de chaque outil pour obtenir le calibre minimal requis pour le cordon.

### Directives pour l'emploi des cordons de rallonge

- Si vous utilisez une rallonge à l'extérieur, assurez-vous qu'elle est marquée des sigles « W-A » (« W » au Canada) indiquant qu'elle est adéquate pour usage extérieur.
- Assurez-vous que le cordon de rallonge est correctement câblé et en bonne condition. Remplacez tout cordon de rallonge détérioré ou faites-le remettre en état par une personne compétente avant de vous en servir.
- Tenez votre cordon de rallonge à l'écart des objets rancissants, des sources de grande chaleur et des endroits humides ou mouillés.

### Calibres minimaux recommandés pour les cordons de rallonge\*

Fiche signalétique Ampères	Longueur du cordon de rallonge (m)					
	7,6	15,2	22,8	30,4	45,7	60,9
0 - 5,0	16	16	16	14	12	12
5,1 - 8,0	16	16	14	12	10	--
8,1 - 12,0	14	14	12	10	--	--
12,1 - 15,0	12	12	10	10	--	--
15,1 - 20,0	10	10	10	--	--	--

\* Basé sur une chute de voltage limite de 5 volts à 150% de l'intensité moyenne de courant.

### LISEZ ATTENTIVEMENT CES INSTRUCTIONS ET CONSERVEZ-LES POUR LES CONSULTER AU BESOIN.

## Spécifications

No de Cat.	Volts CA	Ampères	T/Min. à vide
6580-20	120	6,5	0 - 1 200
6581-20	120	6,5	0 - 2 500
6702-20	120	6,5	0 - 2 500
6703-20	120	6,5	0 - 4 000
6706-20	120	6,5	0 - 2 500
6707-20	120	6,5	0 - 4 000
6708-20	120	6,5	0 - 2 500
6708-21	120	6,5	0 - 2 500
6740-20	120	6,5	0 - 2 500
6742-20	120	6,5	0 - 4 000
6743-20	120	6,5	0 - 4 000
6780-20	120	6,5	0 - 2 500
6790-20	120	6,5	0 - 2 500
6791-20	120	6,5	0 - 2 500
6791-21	120	6,5	0 - 2 500
6792-20	120	6,5	0 - 2 500

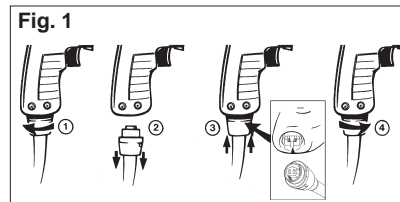
## MONTAGE DE L'OUTIL

### AVERTISSEMENT

**Pour minimiser les risques de blessures, débranchez toujours l'outil avant d'y faire des réglages, d'y attacher ou d'en enlever les accessoires. L'usage d'accessoires autres que ceux qui sont spécifiquement recommandés pour cet outil peut comporter des risques.**

**Retrait et remplacement du cordon Quik-Lok® (Fig. 1) No de Cat. 6580-20, 6581-20, 6702-20, 6703-20, 6706-20, 6707-20, 6708-20, 6708-21, 6791-20, 6791-21**

Les cordons Quik-Lok® exclusifs à MILWAUKEE permettent d'installer le cordon ou de le remplacer sur place en un tournemain.



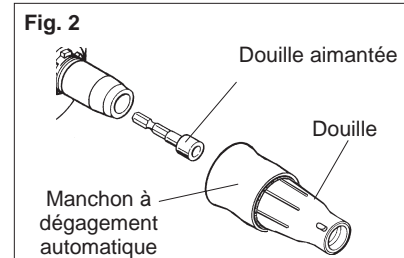
1. Pour retirer le cordon Quik-Lok®, tournez l'écrou du cordon 1/4 de tour vers la gauche et retirez-le.
2. Pour remettre le cordon en place, alignez les rainures à clavettes du connecteur et poussez le connecteur aussi loin que possible. Tournez ensuite l'écrou du cordon 1/4 de tour vers la droite pour le verrouiller.

### Installez le mécanisme d'entraînement complémentaire selon les instructions contenues dans l'accessoire de l'outil.

Installez le mécanisme d'entraînement complémentaire selon les instructions contenues dans l'accessoire de l'outil.

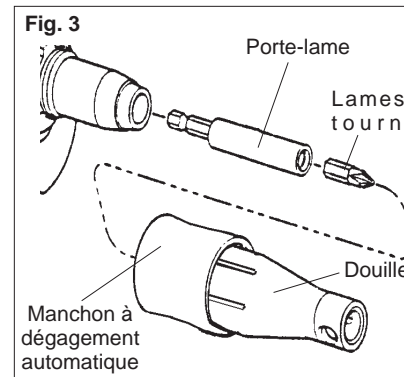
### Installation et retrait des lames-tournevis (Fig. 2) Douille de serrage à dégagement automatique pour vis TEKS

La douille de serrage doit être retirée pour changer le calibre de lames-tournevis.



1. Débranchez l'outil. Pour retirer la douille de serrage, tournez le manchon à dégagement automatique en l'écartant de l'outil.
2. Retirez la douille aimantée et remplacez-la par une nouvelle.
3. Appuyez la douille de serrage sur le bec de l'outil jusqu'à ce qu'elle s'enclenche.

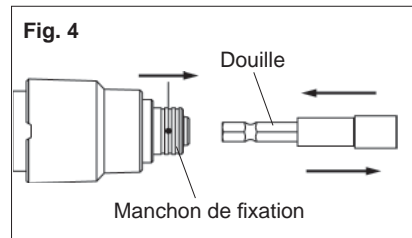
### Installation et retrait des lames-tournevis (Fig. 3) Douille de serrage à dégagement automatique pour vis à placoplâtre



1. Débranchez l'outil. Pour retirer la douille de serrage, tournez le manchon à dégagement automatique en l'écartant de l'outil.
2. Poussez la lame tournevis dans le porte-lame jusqu'à ce qu'elle s'enclenche. Alignez ensuite le porte-lame dans le bec de l'outil et poussez-le jusqu'à ce qu'il s'enclenche à son tour.
3. Appuyez la douille de serrage sur le bec de l'outil jusqu'à ce qu'elle s'enclenche.

**Installation et dépose de douilles magnétiques sur des tournevis réglables**  
**Pour les No de Cat. 6580-20 et 6581-20 (Fig. 4)**

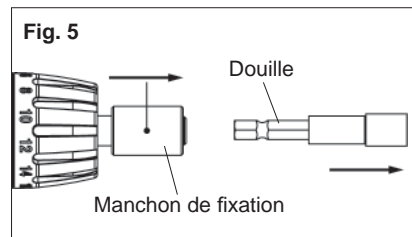
1. Débranchez l'outil.
2. Pour dégager la douille magnétique, poussez le manchon de fixation vers l'avant et tirez la douille.



3. Pour installer la douille magnétique, poussez le manchon de fixation vers l'avant et enfoncez la douille jusqu'à ce qu'elle soit bien en place.

**Pour le No de Cat. 6780-20 (Fig. 5)**

1. Débranchez l'outil.
2. Pour dégager la douille magnétique, poussez le manchon de fixation vers l'avant et tirez la douille.



3. Pour installer la douille magnétique, enfoncez-la jusqu'à ce qu'elle se verrouille en place.

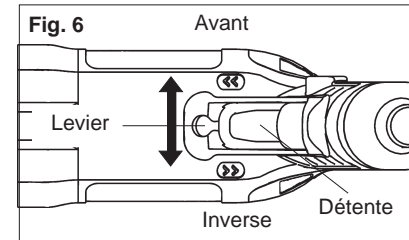
**MANIEMENT**



**AVERTISSEMENT**

**Pour minimiser les risques de blessures, portez des lunettes à coques latérales. Débranchez l'outil avant de changer les accessoires ou d'effectuer des réglages.**

**Utilisation de l'inverseur de rotation (Fig. 6)**



1. Pour la rotation avant, (sens horaire) poussez le levier inverseur vers la gauche, tel qu'indiqué.
2. Pour inverser la rotation (sens inverse-horaire), poussez le levier inverseur vers la droite, tel qu'indiqué.

Malgré qu'un système de verrouillage réciproque empêche l'inversion de la rotation pendant que l'outil est en marche, laissez quand même l'outil s'arrêter complètement de tourner avant d'actionner le levier inverseur.



**AVERTISSEMENT**

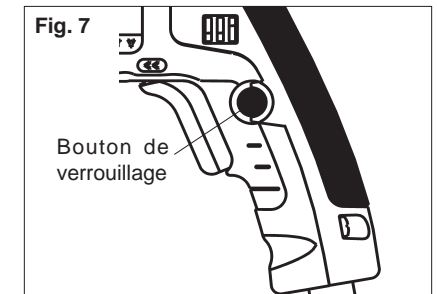
**Pour minimiser les risques de blessures, gardez les mains et le cordon à distance de la mèche et des pièces en mouvement.**

**Démarrage, arrêts et contrôle de vitesse**

1. Pour **mettre** l'outil en marche, appuyez sur la détente.
2. Pour **arrêter** l'outil, relâchez la détente.
3. Pour varier la vitesse de rotation, il suffit simplement d'augmenter ou de diminuer la pression sur la détente. Plus la détente est enfoncée, plus la vitesse est grande.

**Verrouillage de la détente (Fig. 7)**

Le bouton de verrouillage placé à côté de la détente sert à maintenir la détente en position de marche « ON » pour la rotation interrompue à plein régime.



1. Pour **verrouiller** la détente, enfoncez le bouton de verrouillage tout en appuyant sur la détente. Relâchez la détente.
2. Pour **déverrouiller** la détente, enfoncez et relâchez la détente.

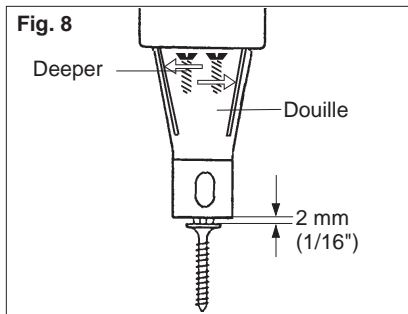
**Réglage de la douille de serrage (Fig. 8)**

La douille de serrage contrôle la profondeur de vissage de l'outil. Ces tournevis sont pourvus d'une douille de serrage à profondeur de vissage réglable d'une seule main. Les réglages de profondeur se font aisément et rapidement et tournant la douille de serrage d'une main. Les crans, à l'intérieur du manchon verrouillent le réglage à la profondeur désirée.

Pour le réglage de la douille de serrage pour vis à placoplâtre, commencez par laisser environ 1,6 mm (1/16") d'espace libre entre la tête de vis et le bec alors que le mécanisme d'accouplement à dégagement automatique est désengagé, tel qu'indiqué.

Pour les deux modèles de douilles de serrage des crans d'arrêts situés à l'intérieur du manchon déterminent différents degrés de profondeur. Deux cliquetis de la douille représentent 0,40 mm (1/64"). Continuez à tourner la douille jusqu'à ce que la profondeur désirée soit atteinte.





1. Pour augmenter la profondeur de vissage, faites simplement tourner la douille de serrage dans le sens indiqué sur l'outil.
2. Pour diminuer la profondeur de vissage, faites tourner la douille de serrage dans le sens indiqué sur l'outil.

Les crans verrouillent la douille de serrage en place pour assurer la précision de la profondeur de vissage.

3. Pour retirer la douille de serrage, faites tourner le manchon à dégagement automatique tandis que vous écarterez la douille de serrage de l'outil. La remise en place de la douille de serrage ne modifie pas le réglage de profondeur.

### Réglage du couple (Fig. 9)

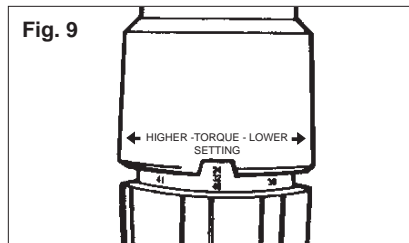
Ces tournevis sont pourvus d'un collier de réglage de couple pour visser divers genres de vis dans différents matériaux. Lorsqu'il est correctement réglé, le mécanisme d'accouplement se désengage lorsque le couple préalablement sélectionné est atteint, pour prévenir un enfoncement trop prononcé et des dommages à la vis ou à l'outil.

#### Pour le No de Cat. 6580-20 & 6581-20

Le tournevis No 6580-20 est pourvu d'un collier de réglage de couple réglable à l'une des quarante-quatre positions. Le couple est réglable entre 1 et 16 Nm (10 et 140 lb-po.).

Le tournevis No 6581-20 est pourvu d'un collier de réglage de couple réglable à l'une des trente-trois positions. Au delà de la position 33, l'outil tombera en panne avant le dégagement de l'accouplement. Le couple est réglable entre 1 et 12 Nm (10 et 110 lb-po.).

Pour choisir un réglage, faites tourner le collier de réglage dans le sens indiqué sur l'outil. La position de réglage choisie apparaîtra à l'indicateur (Fig. 9).

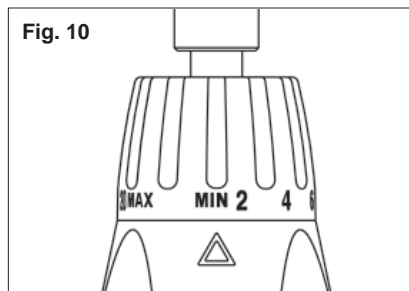


**N.B.** Employez un matériau de rebut pour vérifier les différents réglages avant de commencer à visser dans la pièce à ouvrir. Pour déterminer un réglage spécifique à la tâche, utilisez une clé dynamométrique à déclenchement pour vérifier le couple à différentes positions de réglage.

#### Pour le No de Cat. 6780-20 (Fig. 10)

Le tournevis 6780-20 est équipé d'un collier de réglage de couple permettant vingt et un (21) réglages différents. Le couple peut être réglé entre 1 et 16 Nm (10 et 140 lb-po.).

Pour sélectionner un réglage, tournez le collier de réglage sur l'outil. Le réglage sélectionné apparaît au-dessus de la flèche, tel qu'il est illustré (Fig. 10).



**N.B.** Employez un matériau de rebut pour vérifier les différents réglages avant de commencer à visser dans la pièce à ouvrir. Pour déterminer un réglage spécifique à la tâche, utilisez une clé dynamométrique à déclenchement pour vérifier le couple à différentes positions de réglage.

## APPLICATIONS



### AVERTISSEMENT

Pour minimiser les risques d'explosion, choc électrique, et dommage à la propriété, inspectez l'aire de travail pour en déceler les tuyaux et les câbles électriques avant perçage.

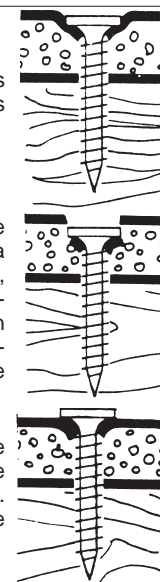
#### Vissage des vis à placoplâtre (Fig. 11) Pour les tournevis calibrés 0-4 000 t/min.

Fig. 11

**Correct** La tête de la vis est sous surface sans écraser le fini.

**Trop Profond** La tête de la vis a pratiqué un trou à la surface du placoplâtre, ce qui complique la finition et permet l'infiltration d'humidité. La profondeur du réglage doit être diminuée.

**Trop Superficiel** La tête de vis excède la surface et empêche un fini lisse. La profondeur du réglage doit être augmentée.



Les vis à placoplâtre standard sont généralement conçues pour la pose du placoplâtre sur des montants de bois et de tôle d'acier de jauge 26 à 20. Les tournevis MILWAUKEE sont l'outil idéal pour enfoncer ce genre de vis. Le réglage de profondeur est très important, reportez-vous au guide ci-après pour connaître le réglage de profondeur adéquat (Fig. 11).

1. Choisissez les vis à placoplâtre appropriées à la tâche. Il n'est pas nécessaire de percer des trous-guides. Pour enfoncer une vis, placez-la sur la lame-tournevis puis alignez-la sur la surface de travail en tenant l'outil à angle droit de la surface. Si l'outil ou la vis ne sont pas à angle droit de la surface, la vis ne pourra pas s'enfoncer correctement.
2. Appuyez sur la détente et poussez l'outil en avant en lui imprimant un mouvement de poinçon pour faire mordre la vis dans le matériau. Le mouvement de poinçon enclenchera l'accouplement pour faire tourner la vis, l'enfoncer dans le matériau et finalement désengager l'accouplement en une fraction de seconde. Pour que la vis s'enfonce correctement, on doit maintenir la pression sur l'outil après l'enclenchement de l'accouplement. L'accouplement à dégagement automatique va se déclencher et la lame-tournevis va s'arrêter de tourner automatiquement dès que la vis aura atteint la profondeur pré-réglée.

Ces tournevis sont pourvus d'un accouplement instantané qui peut cliqueter légèrement lorsque la vis atteint la profondeur pré-réglée.

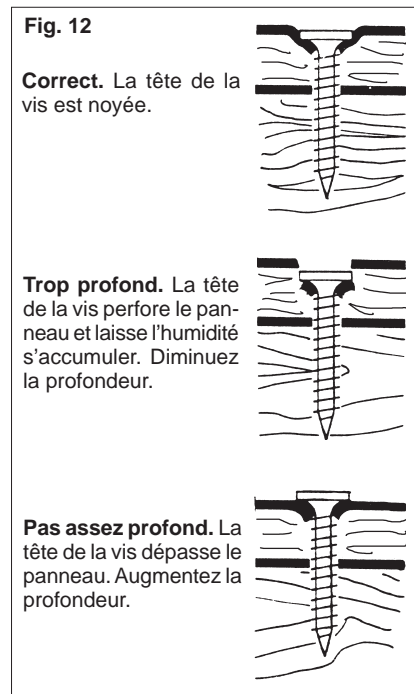
**N.B.** Enfoncez d'abord des vis dans un matériau de rebut pour vous familiariser avec l'outil et son mécanisme d'accouplement, avant de visser dans le matériau neuf.

3. Pour enlever les vis, retirez la douille de serrage et placez l'inverseur de rotation à la position inverse « REV ». La remise en place de la douille de serrage ne modifiera pas le réglage de profondeur.



**Enfonçage de vis de plancher (Fig. 12)  
Pour les tournevis calibrés 0-2 500 t/min.**

Les vis de plancher normales sont généralement conçues pour fixer du bois sur des montants en bois. Les visseuses MILWAUKEE sont idéales pour poser ces types de vis. La profondeur de vissage est très importante. Voir le guide ci-dessous pour le réglage correct de la profondeur (Fig. 12).



1. Choisissez la vis pour plancher appropriée à chaque application. Des avant-trous ne sont pas nécessaires. Placez la vis sur l'embout, puis alignez-la contre la surface du panneau en veillant à maintenir l'outil et la vis perpendiculaires au panneau.

Si l'outil ou la vis sont désalignés, la vis ne pénétrera pas dans le panneau ou sera vissée de travers. Les vis à bois ont des pointes aiguës ou de perçage et un filetage qui facilitent leur pénétration dans le bois.

2. Appuyez sur la gâchette et poussez l'outil pour enfoncer la vis dans le panneau. Ce mouvement rapide engagera l'embrayage à action instantanée, démarrera la rotation de la vis, vissera la vis et désengagera l'embrayage en une fraction de seconde. Si la pression n'est pas maintenue après engagement de l'embrayage, la vis ne sera pas correctement accostée.

L'embrayage se désengagera automatiquement quand la vis aura atteint la profondeur préréglée.

Ces visseuses sont équipées d'un embrayage à action instantanée qui peut cliqueter légèrement lorsque la vis est enfoncée à la profondeur sélectionnée.

**NB :** Exercez-vous en enfonçant des vis dans un morceau de rebut afin de vous familiariser avec l'outil et l'embrayage à action instantanée avant d'enfoncer des vis dans la pièce à travailler.

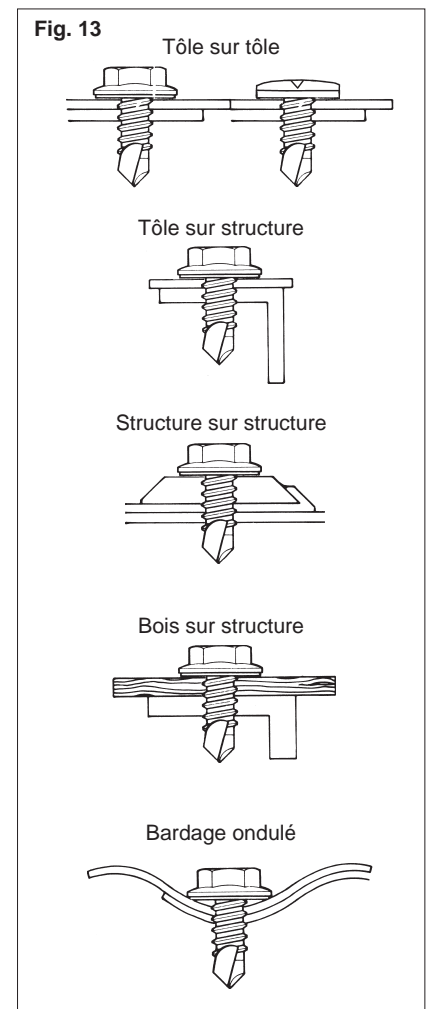
3. Pour enlever les vis, déposez la butée de profondeur et placez l'inverseur de rotation en position inverse. Le remontage de l'ensemble butée de profondeur ne modifiera pas le réglage de profondeur.

**Vissage de vis autoperceuses sur structures en acier plié à froid (Fig. 13) pour tournevis à couple réglables approuvés 0-2 500 t/min.**

Pour visser dans des tôles minces de calibre 20 ou plus, procédez de la façon suivante.

La vis peut paraître hésiter légèrement quand elle finit de traverser la première couche et commence à pénétrer dans le montant métallique. Ceci est normal. Maintenez une pression ferme sur l'outil jusqu'à l'accostage de la vis.

Les vis autoperceuses et autotaraudeuses percent, taraudent et fixent en une seule opération rapide et facile, sans nécessiter d'avant-trou. Leur conception spéciale permet de visser dans des tôles jusqu'à 12,7 mm d'épaisseur et assure des fixations robustes et fiables. La pointe de la vis assure un perçage rapide avec une poussée relativement faible pendant que les rainures évacuent les copeaux de perçage. La partie pilote garantit que le perçage est terminé avant que le premier filet ne s'engage dans le matériau. Ces vis peuvent être utilisées dans de nombreuses applications tel qu'il est illustré à droite.



1. Introduisez le vis dans la douille hexagonale et alignez-la contre la surface de travail.
2. Appuyez sur la gâchette tout en poussant l'outil vers l'avant. Ce mouvement engagera l'embrayage et fera tourner la vis. Si la pression n'est pas maintenue sur l'outil, l'embrayage se désengagera automatiquement et la vis s'arrêtera de tourner.

Lorsque le couple choisi est atteint, l'embrayage produit un son de cliquetis. Si les vis ne sont pas accostées, augmentez le réglage de couple jusqu'à l'obtention du couple voulu.

**NB :** Exercez-vous en enfonçant des vis dans un morceau de rebut afin de vous familiariser avec l'outil et l'embrayage avant d'enfoncer des vis dans la pièce à travailler.

3. Pour enlever les vis, placez l'inverseur de rotation en position inverse.

#### Pose des vis à bois

Lorsque vous enfoncez des vis à bois, il est recommandé de percer d'abord un trou-guide pour faciliter le vissage et éviter de fendiller le bois. En général, le trou-guide devrait avoir un diamètre d'environ 70 % du calibre de la vis. Dans le bois franc, un trou-guide doit avoir un diamètre d'environ 90 % de celui de la vis. La profondeur du trou-guide devrait être moindre que la longueur de la vis par environ une fois le diamètre du vis, afin que la pointe de vis puisse mordre dans le bois et assurer une meilleure prise.

Il faut fraiser les parois supérieures du trou pour faire place à la tige de vis au-dessus du filetage. Si vous utilisez des vis à tête plate, il faut fraiser le haut du trou-guide pour enchâsser la tête de vis à l'affleurement de la surface du matériau. Pour faciliter la pose des vis à bois, on recommande d'en enduire le filetage d'un peu de savon ou de cire, si nécessaire.

## MAINTENANCE



### AVERTISSEMENT

**Pour minimiser les risques de blessures, débranchez toujours l'outil avant d'y effectuer des travaux de maintenance. Ne faites pas vous-même le démontage de l'outil ni le rebobinage du système électrique. Consultez un centre de service MILWAUKEE accrédité pour toutes les réparations.**

#### Entretien de l'outil

Gardez l'outil en bon état en adoptant un programme d'entretien ponctuel. Avant de vous en servir, examinez son état en général. Inspectez-en la garde, interrupteur, cordon et cordon de rallonge pour en déceler les défauts. Vérifiez le serrage des vis, l'alignement et le jeu des pièces mobiles, les vices de montage, bris de pièces et toute autre condition pouvant en rendre le fonctionnement dangereux. Si un bruit ou une vibration insolite survient, arrêtez immédiatement l'outil et faites-le vérifier avant de vous en servir de nouveau. N'utilisez pas un outil défectueux. Fixez-y une étiquette marquée « HORS D'USAGE » jusqu'à ce qu'il soit réparé (voir « Réparations »).

Normalement, il ne sera pas nécessaire de lubrifier l'outil avant que le temps ne soit venu de remplacer les balais. Après une période pouvant aller de 6 mois à un an, selon l'usage, retournez votre outil à un centre de service MILWAUKEE accrédité pour obtenir les services suivants:

- Lubrification
- Inspection et remplacement des balais
- Inspection et nettoyage de la mécanique (engrenages, pivots, coussinets, boîtier etc.)
- Inspection électrique (interrupteur, cordon, induit etc.)
- Vérification du fonctionnement électromécanique



### AVERTISSEMENT

**Pour minimiser les risques de blessures, choc électrique et dommage à l'outil, n'immergez jamais l'outil et ne laissez pas de liquide s'y infiltrer.**

#### Nettoyage

Débarrassez les événements des débris et de la poussière. Gardez les poignées de l'outil propres, à sec et exemptes d'huile ou de graisse. Le nettoyage de l'outil doit se faire avec un linge humide et un savon doux. Certains nettoyants tels l'essence, la térébenthine, les diluants à laque ou à peinture, les solvants chlorés, l'ammoniac et les détergents d'usage domestique qui en contiennent pourraient détériorer le plastique et l'isolation des pièces. Ne laissez jamais des solvants inflammables ou combustibles auprès des outils.

#### Réparations

Si votre outil est endommagé, retournez l'outil entier au centre de maintenance le plus proche.

## ACCESSOIRES



### AVERTISSEMENT

**Pour minimiser les risques de blessures, débranchez toujours l'outil avant d'y installer ou d'en enlever les accessoires. L'emploi d'accessoires autres que ceux qui sont expressément recommandés pour cet outil peut présenter des risques.**

Pour une liste complète des accessoires, prière de se reporter au catalogue MILWAUKEE Electric Tool ou visiter le site internet [www.milwaukeetool.com](http://www.milwaukeetool.com). Pour obtenir un catalogue, il suffit de contacter votre distributeur local ou l'un des centres-service.

#### Cordon Quik-Lok®

2,4 m (8') - No de Cat. 48-76-4008  
7,6 m (25') - No de Cat. 48-76-4025

#### Coffret d'acier

No de Cat. 48-55-0711

## GARANTIE LIMITÉE DE L'OUTIL DE CINQ ANS

Tous les outils MILWAUKEE sont testés avant de quitter l'usine et sont garantis exempts de vice de matériau ou de fabrication. MILWAUKEE réparera ou remplacera (à la discrétion de MILWAUKEE), sans frais, tout outil (y compris les chargeurs de batterie) dont l'examen démontre le caractère défectueux du matériau ou de la fabrication dans les cinq (5) ans suivant la date d'achat. Retourner l'outil et une copie de la facture ou de toute autre preuve d'achat à une branche Entretien usine/Assistance des ventes de l'établissement MILWAUKEE ou à un centre d'entretien agréé par MILWAUKEE, en port payé et assuré. Cette garantie ne couvre pas les dommages causés par les réparations ou les tentatives de réparation par quiconque autre que le personnel agréé par MILWAUKEE, les utilisations abusives, l'usure normale, les carences d'entretien ou les accidents.

Le période de garantie pour les batteries V28 est de deux (2) ans à compter de la date d'achat. Le période de garantie pour les batteries Ni-Cd, les lampes de poche, les radios et palans est de un (1) an à partir de la date d'achat.

LES SOLUTIONS DE RÉPARATION ET DE REMPLACEMENT DÉCRITES PAR LES PRÉSENTES SONT EXCLUSIVES. MILWAUKEE NE SAURAIT ÊTRE RESPONSABLE, EN AUCUNE CIRCONSTANCE, DES DOMMAGES ACCESSOIRES, SPÉCIAUX OU INDIRECTS, Y COMPRIS LES MANQUES À GAGNER.

CETTE GARANTIE EST EXCLUSIVE ET REMPLACE TOUTES LES AUTRES GARANTIES OU CONDITIONS, ÉCRITES OU ORALES, EXPRESSES OU TACITES DE QUALITÉ MARCHANDE OU D'ADAPTATION À UNE UTILISATION OU UNE FIN PARTICULIÈRE.

Cette garantie vous donne des droits particuliers. Vous pouvez aussi bénéficier d'autres droits variant d'un état à un autre et d'une province à une autre. Dans les états qui n'autorisent pas les exclusions de garantie tacite ou la limitation des dommages accessoires ou indirects, les limitations ou exclusions ci-dessus peuvent ne pas s'appliquer. Cette garantie s'applique aux États-Unis, au Canada et au Mexique uniquement.

## REGLAS DE SEGURIDAD GENERALES PARA HERRAMIENTAS ELÉCTRICAS



### ADVERTENCIA

#### LEA TODAS LAS INSTRUCCIONES

Si no se siguen todas las siguientes instrucciones se puede provocar una descarga eléctrica, un incendio y/o lesiones graves. El término “herramienta eléctrica” en todas las advertencias incluidas más abajo se refiere a su herramienta operada por conexión (cable) a la red eléctrica o por medio de una batería (inalámbrica).

#### GUARDE ESTAS INSTRUCCIONES

### SEGURIDAD EN EL ÁREA DE TRABAJO

1. **Mantenga limpia y bien iluminada el área de trabajo.** Las áreas desordenadas u oscuras contribuyen a que se produzcan accidentes.
2. **No utilice herramientas eléctricas en atmósferas explosivas, como en la presencia de líquidos, gases o polvo inflamables.** Las herramientas eléctricas crean chispas que pueden incendiar el polvo o las emanaciones.
3. **Mantenga a los niños y otras personas alejadas mientras utiliza una herramienta eléctrica.** Las distracciones pueden hacerle perder el control.

### SEGURIDAD ELÉCTRICA

4. **Los enchufes de las herramientas eléctricas deben ser del mismo tipo que el tomacorrientes. Nunca realice ningún tipo de modificación en el enchufe. No use enchufes adaptadores con herramientas eléctricas con conexión a tierra.** Se reducirá el riesgo de descarga eléctrica si no se modifican los enchufes y los tomacorrientes son del mismo tipo.
5. **Evite el contacto corporal con superficies con conexión a tierra, como tuberías, radiadores, estufas y refrigeradores.** El riesgo de descarga eléctrica aumenta si su cuerpo está conectado a tierra.
6. **No exponga la herramientas eléctricas a la lluvia o a condiciones de humedad.** El agua que entra en una herramienta eléctrica aumenta el riesgo de descarga eléctrica.

7. **No abuse del cable. Nunca use el cable para transportar la herramienta eléctrica, tirar de ella o desenchufarla. Mantenga el cable alejado del calor, los bordes afilados o las piezas en movimiento.** Los cables dañados o enmarañados aumentan el riesgo de descarga eléctrica.
8. **Cuando se utiliza una herramienta eléctrica en el exterior, use una extensión que sea apropiada para uso en el exterior.** El uso de un cable apropiado para el exterior reduce el riesgo de descarga eléctrica.

### SEGURIDAD PERSONAL

9. **Manténgase alerta, ponga cuidado a lo que está haciendo y use el sentido común cuando utilice una herramienta eléctrica. No use una herramienta eléctrica cuando está cansado o bajo la influencia de drogas, alcohol o medicinas.** Despijarse un minuto cuando se utiliza una herramienta eléctrica puede tener como resultado lesiones personales graves.
10. **Use equipo de seguridad. Lleve siempre protección ocular.** Llevar equipo de seguridad apropiado para la situación, como una máscara antipolvo, zapatos de seguridad antideslizantes casco o protección auditiva, reducir á las lesiones personales.
11. **Evite los arranques accidentales. Asegúrese de que el interruptor esté en la posición de apagado antes de enchufar la herramienta.** Mover herramientas con el dedo en el interruptor o enchufar herramientas con el interruptor en la posición de encendido contribuye a que se produzcan accidentes.

12. **Quite todas las llaves de ajuste antes de encender la herramienta.** Una llave que esté acoplada a una pieza giratoria de la herramienta puede provocar lesiones personales.
13. **No se estire demasiado. Mantenga los pies bien asentados y el equilibrio en todo momento.** Esto permite tener mejor control de la herramienta eléctrica en situaciones inesperadas.
14. **Vístase de manera apropiada. No lleve ropa suelta ni joyas. Mantenga el cabello, la ropa y los guantes lejos de la piezas en movimiento.** La ropa floja, las joyas o el cabello largo pueden quedar atrapados en las piezas en movimiento.
15. **Si se proporcionan dispositivos para la conexión de sistemas de recolección y extracción de polvo, asegúrese de que estén conectados y se usen apropiadamente.** El uso de estos dispositivos puede reducir los peligros relacionados con el polvo.

### USO Y CUIDADO DE LAS HERRAMIENTAS ELÉCTRICAS

16. **No fuerce la herramienta eléctrica. Use la herramienta eléctrica correcta para la aplicación.** La herramienta eléctrica correcta funcionará mejor y de manera más segura a la velocidad para la que se diseñó.
17. **No use la herramienta eléctrica si el interruptor no la enciende ni la apaga.** Cualquier herramienta eléctrica que no se pueda controlar con el interruptor es peligrosa y se debe reparar.
18. **Desconecte el enchufe de la toma de alimentación y/o la batería de la herramienta eléctrica antes de realizar cualquier ajuste, cambiar accesorios o almacenar las herramientas eléctricas.** Dichas medidas preventivas de seguridad reducen el riesgo de que la herramienta se prenda accidentalmente.
19. **Almacene las herramientas eléctricas fuera del alcance de los niños y no permita que personas no familiarizadas con ellas o estas instrucciones las utilicen.** Las herramientas eléctricas son peligrosas en las manos de usuarios no capacitados.

20. **Mantenimiento de las herramientas eléctricas. Revise que no haya piezas móviles que estén desalineadas o que se atasquen, piezas rotas ni ninguna otra condición que pueda afectar el funcionamiento de la herramienta eléctrica. Si se encuentran daños, haga que le reparen la herramienta antes de usarla.** Las herramientas mal mantenidas son la causa de muchos accidentes.
21. **Mantenga las herramientas de corte limpias y afiladas.** Es menos probable que se atasquen las herramientas de corte con filos afilados que se mantienen de manera apropiada y también son más fáciles de controlar.
22. **Use la herramienta eléctrica, los accesorios y las brocas, etc. siguiendo estas instrucciones y de la manera para la que dicha herramienta eléctrica en particular fue diseñada, teniendo en cuenta las condiciones de trabajo y la tarea que se va a realizar.** El uso de la herramienta eléctrica para operaciones diferentes de aquellas para las que se diseñó podría resultar en una situación peligrosa.

### MANTENIMIENTO

23. **Haga que un técnico calificado realice el mantenimiento de la herramienta eléctrica utilizando solamente piezas de repuesto idénticas.** Esto asegurará que se mantiene la seguridad de la herramienta eléctrica.

### REGLAS ESPECIFICAS DE SEGURIDAD

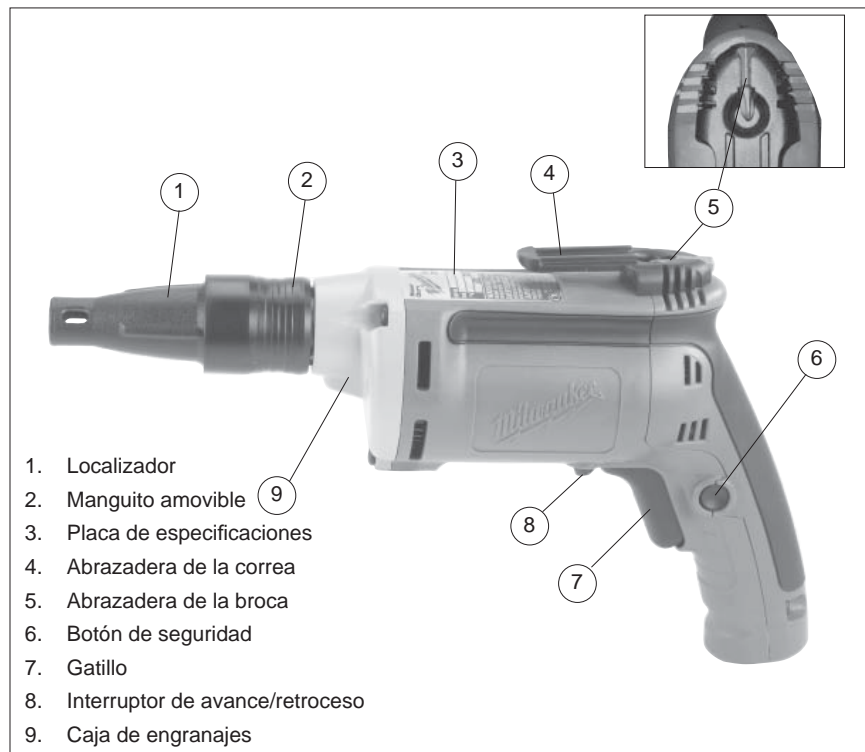
1. **Agarre la herramienta por los asideros aislados cuando realice una operación en la que la herramienta de corte pueda entrar en contacto con cables ocultos o con su propio cable.** El contacto con un cable “con corriente” hará que las partes de metal expuesto de la herramienta pasen la corriente y produzcan una descarga al operador.
2. **Guarde las etiquetas y placas de especificaciones.** Estas tienen información importante. Si son ilegibles o si no se pueden encontrar, póngase en contacto con un centro de servicio de MILWAUKEE para una refacción gratis.

3. **¡ADVERTENCIA!** Algunas partículas de polvo resultantes del lijado mecánico, aserrado, esmerilado, taladrado y otras actividades relacionadas a la construcción, contienen sustancias químicas que se saben ocasionan cáncer, defectos congénitos u otros daños al aparato reproductivo. A continuación se citan algunos ejemplos de tales sustancias químicas:
- plomo proveniente de pinturas con base de plomo

- sílice cristalino proveniente de ladrillos, cemento y otros productos de albañilería y
- arsénico y cromo provenientes de madera químicamente tratada.

El riesgo que usted sufre debido a la exposición varía dependiendo de la frecuencia con la que usted realiza estas tareas. Para reducir la exposición a estas sustancias químicas: trabaje en un área bien ventilada, y utilice equipo de seguridad aprobado como, por ejemplo, máscaras contra el polvo que hayan sido específicamente diseñadas para filtrar partículas microscópicas.

### DESCRIPCIÓN FUNCIONAL



1. Localizador
2. Manguito amovible
3. Placa de especificaciones
4. Abrazadera de la correa
5. Abrazadera de la broca
6. Botón de seguridad
7. Gatillo
8. Interruptor de avance/retroceso
9. Caja de engranajes

### TIERRA

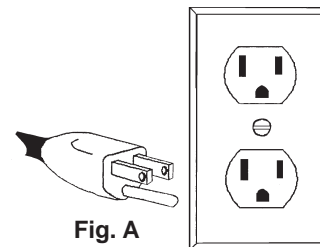


#### ADVERTENCIA

Puede haber riesgo de descarga eléctrica si se conecta el cable de conexión de puesta a tierra incorrectamente. Consulte con un electricista certificado si tiene dudas respecto a la conexión de puesta a tierra del tomacorriente. No modifique el enchufe que se proporciona con la herramienta. Nunca retire la clavija de conexión de puesta a tierra del enchufe. Si el enchufe no se acopla al tomacorriente, haga que un electricista certificado instale un toma-corriente adecuado.

#### Herramientas con conexión a tierra: Herramientas con enchufes de tres clavijas

Las herramientas marcadas con la frase "Se requiere conexión de puesta a tierra" tienen un cable de tres hilos y enchufes de conexión de puesta a tierra de tres clavijas. El enchufe debe conectarse a un tomacorriente debidamente conectado a tierra (véase la Figura A). Si la herramienta se averiara o no funcionara correctamente, la conexión de puesta a tierra proporciona un trayecto de baja resistencia para desviar la corriente eléctrica de la trayectoria del usuario, reduciendo de este modo el riesgo de descarga eléctrica.



La clavija de conexión de puesta a tierra en el enchufe está conectada al sistema de conexión de puesta a tierra de la herramienta a través del hilo verde dentro del cable. El hilo verde debe ser el único hilo conectado al sistema de conexión de puesta a tierra de

la herramienta y nunca se debe unir a una terminal energizada.

Su herramienta debe estar enchufada en un tomacorriente apropiado, correctamente instalado y conectado a tierra según todos los códigos y reglamentos. El enchufe y el tomacorriente deben asemejarse a los de la Figura A.

#### Herramientas con doble aislamiento: Herramientas con clavijas de dos patas

Las herramientas marcadas con "Doble aislamiento" no requieren conectarse "a tierra". Estas herramientas tienen un sistema aislante que satisface los estándares de OSHA y llena los estándares aplicables de UL (Underwriters Laboratories), de la Asociación Canadiense de Estándares (CSA) y el Código Nacional de Electricidad. Las herramientas con doble aislamiento pueden ser usadas en cualquiera de los toma corriente de 120 Volt mostrados en las Figuras B y C.

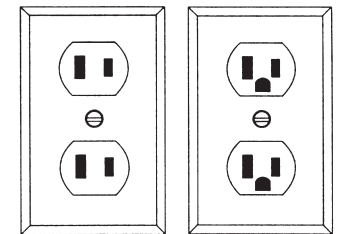


Fig. B

Fig. C

#### Simbología

	Doble aislamiento
	Volts corriente alterna
	Amperios
$n_{o} \text{xxxx/min.}$	No de revoluciones de carga por minuto (RPM)
	Underwriters Laboratories, Inc.
	Asociación de Normas Canadiense
	Marca mejicana de la aprobación



## EXTENSIONES ELECTRICAS

Las herramientas que deben conectarse a tierra cuentan con clavijas de tres patas y requieren que las extensiones que se utilicen con ellas sean también de tres cables. Las herramientas con doble aislamiento y clavijas de dos patas pueden utilizarse indistintamente con extensiones de dos a tres cables. El calibre de la extensión depende de la distancia que exista entre la toma de la corriente y el sitio donde se utilice la herramienta. El uso de extensiones inadecuadas puede causar serias caídas en el voltaje, resultando en pérdida de potencia y posible daño a la herramienta. La tabla que aquí se ilustra sirve de guía para la adecuada selección de la extensión.

Mientras menor sea el número del calibre del cable, mayor será la capacidad del mismo. Por ejemplo, un cable calibre 14 puede transportar una corriente mayor que un cable calibre 16. Cuando use más de una extensión para lograr el largo deseado, asegúrese que cada una tenga al menos, el mínimo tamaño de cable requerido. Si está usando un cable de extensión para más de una herramienta, sume los amperes de las varias placas y use la suma para determinar el tamaño mínimo del cable de extensión.

### Guías para el uso de cables de extensión

- Si está usando un cable de extensión en sitios al aire libre, asegúrese que está marcado con el sufijo "W-A" ("W" en Canadá) el cual indica que puede ser usado al aire libre.
- Asegúrese que su cable de extensión está correctamente cableado y en buenas condiciones eléctricas. Cambie siempre una extensión dañada o hágala reparar por una persona calificada antes de volver a usarla.
- Proteja su extensión eléctrica de objetos cortantes, calor excesivo o áreas mojadas.

### Calibre mínimo recomendado para cables de extensiones eléctricas\*

Amperios (En la placa)	Largo de cable de Extensión en (m)					
	7,6	15,2	22,8	30,4	45,7	60,9
0 - 5,0	16	16	16	14	12	12
5,1 - 8,0	16	16	14	12	10	--
8,1 - 12,0	14	14	12	10	--	--
12,1 - 15,0	12	12	10	10	--	--
15,1 - 20,0	10	10	10	--	--	--

\* Basado en limitar la caída en el voltaje a 5 volts al 150% de los amperios.

## LEA Y GUARDE TODAS LAS INSTRUCCIONES PARA FUTURAS REFERENCIAS.

### Especificaciones

Cat. No.	Volts ca	A	rpm
6580-20	120	6,5	0 - 1 200
6581-20	120	6,5	0 - 2 500
6702-20	120	6,5	0 - 2 500
6703-20	120	6,5	0 - 4 000
6706-20	120	6,5	0 - 2 500
6707-20	120	6,5	0 - 4 000
6708-20	120	6,5	0 - 2 500
6708-21	120	6,5	0 - 2 500
6740-20	120	6,5	0 - 2 500
6742-20	120	6,5	0 - 4 000
6743-20	120	6,5	0 - 4 000
6780-20	120	6,5	0 - 2 500
6790-20	120	6,5	0 - 2 500
6791-20	120	6,5	0 - 2 500
6791-21	120	6,5	0 - 2 500
6792-20	120	6,5	0 - 2 500

## ENSAMBLAJE DE LA HERRAMIENTA



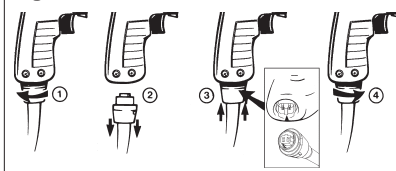
### ADVERTENCIA

Para reducir el riesgo de una lesión, desconecte siempre la herramienta antes de fijar o retirar accesorios, o antes de efectuar ajustes. Utilice sólo los accesorios específicamente recomendados. El uso de otros accesorios puede ser peligroso.

**Cómo extraer y reemplazar los cables de cambio rápido Quik-Lok® (Fig. 1)**  
Cat. No. 6580-20, 6581-20, 6702-20, 6703-20, 6706-20, 6707-20, 6708-20, 6708-21, 6791-20, 6791-21

Los exclusivos cables de cambio rápido Quik-Lok® de MILWAUKEE pueden reemplazarse de forma inmediata en el área de trabajo.

Fig. 1



1. Para extraer el cable Quik-Lok®, gírelo 1/4 de vuelta hacia la izquierda y tire de él para separarlo de la unidad.
2. Para reemplazar el cable Quik-Lok®, alineeas marcas en el conector con las del cable y empuje el conector hasta que tope. Luego gire el cable 1/4 de vuelta hacia la derecha para asegurarlo.

**Cómo instalar el mecanismo final de inserción**  
Cat. No. 6706-20, 6707-20, 6708-20

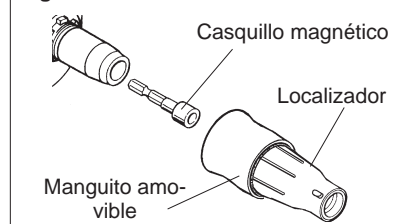
Instale el mecanismo final de inserción según se indica en las instrucciones incluidas con el aditamento de la herramienta.

**Cómo instalar y extraer las brocas (Fig. 2) del juego de localizador amovible TEKS**

El juego de localizador se debe desmontar cuando se vaya a cambiar el tamaño de la broca.

1. Desconecte la herramienta. Para desmontar el juego de localizador, gire el manguito amovible a la vez que tira de él para separarlo de la herramienta.

Fig. 2

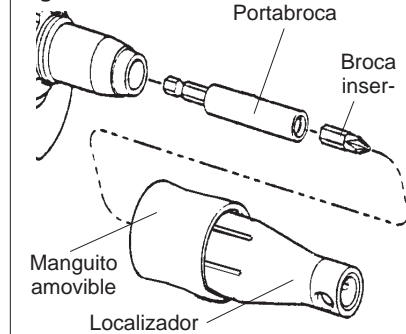


2. Tire del casquillo magnético y reemplácelo con uno nuevo.
3. Empuje el juego de localizador contra la punta de la herramienta hasta que ajuste en su posición.

**Cómo instalar y extraer las brocas (Fig. 3) del juego de localizador amovible para tablaroca**

1. Desconecte la herramienta. Para desmontar el juego de localizador, gire el manguito amovible a la vez que tira de él para separarlo de la herramienta.

Fig. 3



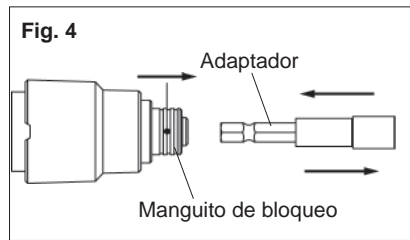
2. Empuje la broca de inserción dentro del portabroca hasta que ajuste en su posición. Empuje el portabroca dentro de la punta de la herramienta hasta que ajuste en su posición.
3. Empuje el juego de localizador contra la punta de la herramienta hasta que ajuste en su posición.



## Instalación y remoción de adaptadores magnéticos en destornilladores ajustables

### Para modelos de Cat. No. 6580-20 y 6581-20 (Fig. 4)

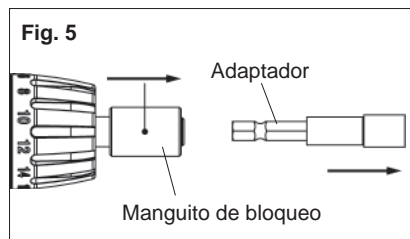
1. Desconecte la herramienta.
2. Para remover el adaptador magnético, deslice el manguito de bloqueo hacia delante y tire del adaptador.



3. Para instalar el adaptador magnético, deslice el manguito de bloqueo hacia delante y empuje el adaptador hasta que quede completamente asentado.

### Para el modelo de Cat. No. 6780-20 (Fig. 5)

1. Desconecte la herramienta.
2. Para remover el adaptador magnético, deslice el manguito de bloqueo hacia delante y tire del adaptador.



3. Para instalar el adaptador magnético, sencillamente empuje el adaptador hasta que encaje en su posición.

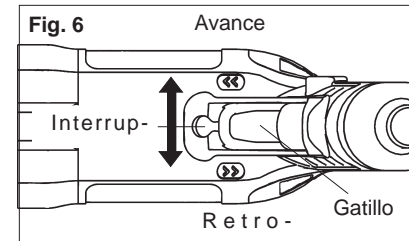
## OPERACION



### ADVERTENCIA

Para reducir el riesgo de una lesión, use siempre lentes de seguridad o anteojos con protectores laterales. Desconecte la herramienta antes de cambiar algún accesorio o de hacerle algún ajuste.

### Cómo utilizar el interruptor de avance/retroceso (Fig. 6)



1. Para una rotación de avance (en el sentido de las manecillas del reloj), empuje el interruptor de avance/retroceso hacia la izquierda, según se ilustra.
2. Para una rotación de retroceso (en el sentido contrario a las manecillas del reloj) empuje el interruptor de avance/retroceso hacia la derecha, según se ilustra.

Aunque su unidad cuenta con un sistema de seguridad interno que evita que el retroceso se accione mientras la herramienta se encuentra funcionando, permita que el motor se detenga completamente antes de llevar a cabo el retroceso.



### ADVERTENCIA

Para reducir el riesgo de una lesión, mantenga las manos y el cable lejos de la broca y de cualquier otra parte en movimiento.

### Cómo accionar, detener y controlar la velocidad

1. Para **accionar** la herramienta, simplemente tire del gatillo.
2. Para **detener** la herramienta, suelte el gatillo.

3. Para variar la velocidad de perforación, simplemente aumente o disminuya la presión en el gatillo. Mientras más se presiona el gatillo, mayor será la velocidad.

### Cómo trabar el gatillo (Fig. 7)

El botón de seguridad mantiene el gatillo en la posición ON para un uso continuo a una velocidad máxima.



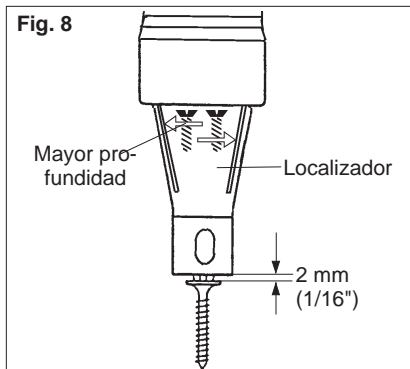
1. Para trabar el gatillo, oprima el botón de seguridad mientras tira del gatillo. Suelte el gatillo.
2. Para destrabar el gatillo, tire del gatillo y suéltelo. El botón de seguridad



### Cómo ajustar el juego de localizador (Fig. 8)

El juego de localizador controla la profundidad de perforación de la herramienta. Estos destornilladores incluyen un juego de localizador capaz de efectuar ajustes de profundidad con una sola mano. Los ajustes de profundidad se pueden llevar a cabo de forma fácil y rápida girando el localizador con una mano. Los topes en el interior del manguito "fijan" la profundidad seleccionada.

Para el juego de localizador amovible para tablaroca, comience dejando un espacio libre de aproximadamente 1,6 mm (1/16") entre la cabeza del tornillo y la punta, con el embrague de acción rápida desactivado, según se ilustra.

Para ambos juegos de localizador, los topes en el interior del manguito representan diferentes profundidades. Cada dos "click" en el localizador equivalen a 0,40 mm (1/64"). Continúe ajustando el localizador hasta lograr la profundidad deseada.



1. Para aumentar la profundidad de perforación, simplemente gire el localizador en la dirección indicada con el símbolo .
  2. Para reducir la profundidad de perforación, simplemente gire en la dirección indicada con el símbolo .
- Los toques "traban" el localizador en su posición, asegurando así una graduación de profundidad exacta.
3. Para desmontar el juego de localizador, gire el manguito amovible a la vez que tira de él para separarlo de la herramienta. Volver a montar el juego de localizador no alterará de ninguna manera la graduación de profundidad previamente establecida.

### Cómo ajustar la graduación de torsión (Fig. 9)

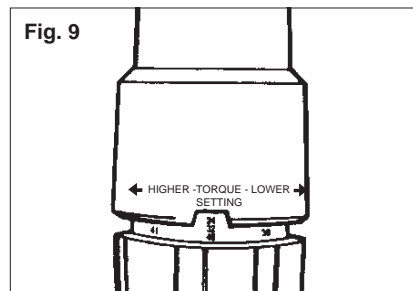
Estos destornilladores incluyen un collar de ajuste de graduación de torsión para insertar diferentes tipos de tornillos en diferentes tipos de materiales. Cuando se ajusta correctamente, el embrague se soltará a la torsión preestablecida para evitar insertar el tornillo a demasiada profundidad y evitar además ocasionar daños al tornillo o la herramienta.

### Para el modelos de Cat. No. 6580-20 & 6581-20

El destornillador 6580-20 incluye un collar de ajuste de graduación de torsión que puede ajustarse a una de cuarenta y cuatro graduaciones. La torsión se puede ajustar desde 1 hasta 16 Nm (10 a 140 in-lb). El destornillador 6581-20 incluye un collar de ajuste de graduación de torsión que puede ajustarse a una de treinta y tres graduaciones. Si se sobrepasan las treinta y tres graduaciones, la herramienta se detendrá antes de soltar

el embrague. La torsión se puede ajustar desde 1 a 12 Nm (10 a 110 in-lb).

Para seleccionar una graduación, gire el collar de ajuste en la dirección indicada en la herramienta. La graduación establecida aparecerá en la ventanilla según se ilustra (Fig. 9).

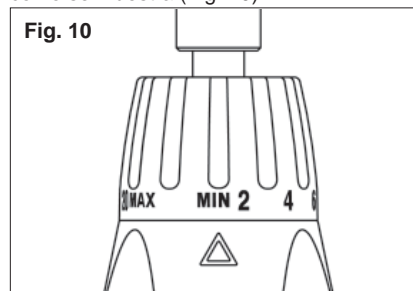


**NOTA:** Se recomienda utilizar material de desecho para probar las diferentes graduaciones antes de insertar tornillos en la pieza de trabajo. A modo de determinar una graduación específica para su aplicación, utilice una llave dinamométrica para verificar la torsión correcta de cualquier graduación en particular.

### Para el modelo de Cat. No. 6780-20 (Fig. 10)

El destornillador 6780-20 incluye un collar de ajuste del parámetro de par que puede ser ajustado a uno de veintiún ajustes. El par se puede ajustar de 1 hasta 16 Nm (10 a 140 in-lb).

Para seleccionar un ajuste, gire el collar de ajuste en la herramienta. El ajuste seleccionado aparecerá encima de la flecha tal y como se muestra (Fig. 10).



**NOTA:** Se recomienda utilizar material de desecho para probar las diferentes graduaciones antes de insertar tornillos en la pieza de trabajo. A modo de determinar una graduación específica para su aplicación, utilice una llave dinamométrica para verificar la torsión correcta de cualquier graduación en particular.

## APLICACIONES



### ADVERTENCIA

Para reducir el riesgo de una explosión, descarga eléctrica y daño a la propiedad, inspeccione siempre el área de trabajo antes de comenzar la perforación en caso de que haya presentes tuberías o cables no visibles.

### Cómo insertar tornillos para tablaroca (Fig. 11) para destornilladores con clasificación de 0 - 4 000 RPM

Los tornillos estándares para tablaroca tienen el propósito general de acoplar tablaroca a bastidores de madera y a bastidores de acero calibre 26 a 20. Los destornilladores MILWAUKEE son ideales para insertar este tipo de tornillos para tablaroca. La graduación de profundidad es sumamente importante. Consulte la guía que aparece más adelante para conocer la graduación de profundidad correcta (Fig. 11).

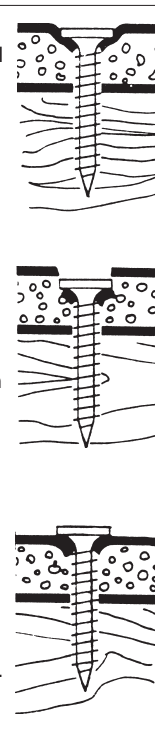
Fig. 11

**Correcto.** La cabeza del tornillo está por debajo de la superficie, pero sin llegar a perforar la cubierta de ésta.

#### Demasiado profundo.

La cabeza del tornillo perforó la cubierta de la superficie, lo que dificultará el acabado y permitirá la acumulación de humedad debajo de la cubierta.

**Poco profundo.** La cabeza del tornillo ha quedado sobre la superficie de la tablaroca, por lo que no podrá realizarse el acabado adecuado. Aumente la profundidad.



1. Seleccione el tornillo para tablaroca correcto para cada aplicación. No es necesario perforar orificios pilotos. A fin de insertar los tornillos, coloque el tornillo en la broca de inserción; luego alinee el tornillo contra la superficie de trabajo, asegurándose de sujetar la herramienta y el tornillo en forma perpendicular en relación con la superficie de trabajo. Si la herramienta o el tornillo se encuentran desalineados, el tornillo no penetrará la superficie de trabajo o lo hará en forma curva.
2. Tire del gatillo y empuje la herramienta hacia adelante con un movimiento sólido para insertar el tornillo en la tablaroca. Este movimiento sólido activará el embrague de acción rápida, hará que el tornillo empiece a girar, insertará el tornillo y soltará el embrague de acción rápida en una fracción de un segundo. Si no se mantiene presión en la herramienta luego de activarse el embrague de acción rápida, el tornillo no se asentará correctamente.

El embrague de acción rápida se soltará automáticamente y la broca de inserción dejará de girar una vez que el tornillo haya penetrado a la profundidad deseada.

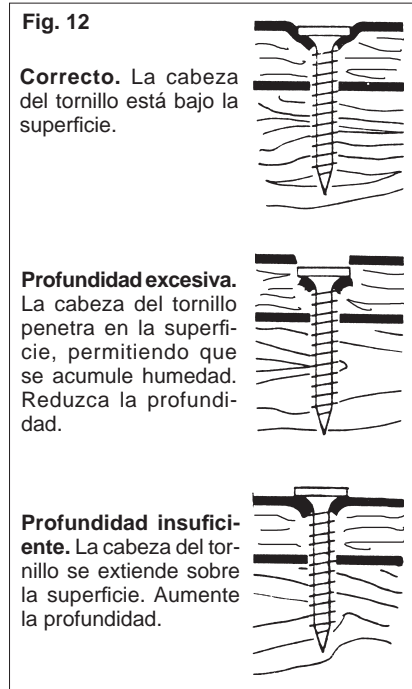
Estos destornilladores incluyen un embrague de acción rápida que podría endentarse levemente cuando el tornillo haya penetrado a la profundidad deseada.

**NOTA:** Practique insertando tornillos en piezas de material de desecho a fin de familiarizarse con la herramienta y con la acción del embrague de acción rápida antes de intentar insertar tornillos en la pieza de trabajo.

3. Para extraer los tornillos, desmonte el juego de localizador y coloque el interruptor de avance/retroceso en la posición de retroceso. Volver a montar el juego de localizador no alterará de ninguna manera la graduación de profundidad previamente establecida.

**Colocación de tornillos para cubiertas (Fig. 12) para destornilladores con posicionador de profundidad con capacidad nominal de 0 - 2 500 RPM**

Los tornillos estándar para cubiertas están generalmente diseñados para sujetar madera a fijaciones de madera. Los destornilladores *MILWAUKEE* son ideales para colocar estos tipos de tornillos para cubiertas. El reglaje de profundidad es muy importante. Consulte la siguiente guía para informarse sobre el reglaje de profundidad correcto (Fig. 12).



1. Seleccione el tornillo para cubiertas adecuado para cada trabajo. No se requieren agujeros guía. Para insertar los tornillos, coloque el tornillo en la broca de inserción y alinee el tornillo contra la superficie de trabajo, cerciorándose de que mantiene la herramienta y el tornillo perpendiculares a la superficie de trabajo.

Si la herramienta o el tornillo no se encuentran alineados, el tornillo no se introducirá en la superficie de trabajo o no entrará recto. Los tornillos para madera tienen puntas afiladas o puntas de taladro, y roscas de pasada que ayudan a empujar el tornillo a través de la madera.

2. Oprima el gatillo y empuje la herramienta hacia delante para enclavar el tornillo en la madera. Un movimiento rápido hará que actúe el embrague de accionamiento rápido para girar el tornillo e introducirlo, soltándose entonces el embrague de accionamiento rápido, todo ello en una fracción de segundo. Si no mantiene la presión en la herramienta después de hacer actuar el embrague de accionamiento rápido, no se asentará debidamente el tornillo.

El embrague de accionamiento rápido se suelta automáticamente y la broca de inserción deja de girar cuando se haya introducido el tornillo a la profundidad seleccionada.

Estos destornilladores incluyen un embrague de accionamiento rápido, el cual podría trinquetear levemente cuando el tornillo se introduzca a la profundidad deseada.

**NOTA:** Practique colocar tornillos en pedazos de material de desecho para familiarizarse con la herramienta y con el embrague de accionamiento rápido antes de intentar hacerlo en la pieza de trabajo.

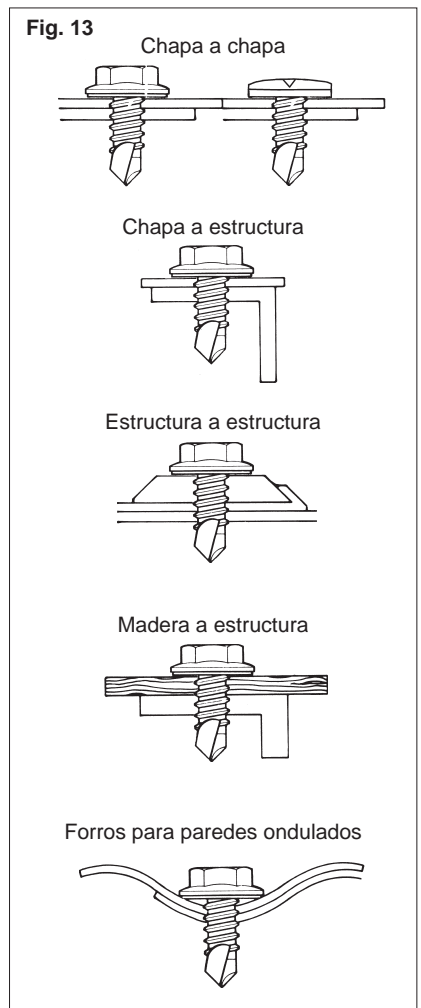
3. Para extraer los tornillos, retire el conjunto posicionador y coloque la palanca de avance/retroceso en la posición de retroceso. Volver a sujetar el conjunto posicionador no alterará el reglaje de profundidad.

**Colocación de tornillos auto perforadores en armazones de acero conformados en frío (Fig. 13) para destornilladores de par ajustable con capacidad nominal de 0 - 2 500 RPM**

Observe este procedimiento cuando trabaje con chapas metálicas de calibre bajo, calibre 16 o más grueso.

Podrá verse que el tornillo vacila ligeramente al atravesar la primera capa de material y comenzar a penetrar en la chapa metálica. Esto es normal. Mantenga una presión firme en la herramienta hasta que el tornillo quede asentado.

Los tornillos auto perforadores y autorroscantes taladran, roscan y sujetan con sólo movimiento fácil y rápido, sin necesidad de taladrado previo. Su singular diseño funciona en metal de hasta 12,7 mm. de espesor, proveyendo una sujeción fuerte y fiable. La punta de broca facilita el taladrado rápido con una presión de taladrado baja, mientras que las estrias retiran las virutas. La sección guía asegura que se complete el taladrado antes de que el primer hilo de rosca entre en contacto con el material. Estos tornillos pueden utilizarse en varias aplicaciones según se muestra a la derecha.



1. Inserte el tornillo en el adaptador hexagonal y alinee el tornillo contra la superficie de trabajo.
2. Oprima el gatillo a la vez que empuja la herramienta hacia delante. Este movimiento hará que actúe el embrague de impulsor, y hará que el tornillo comience a girar. Si no se mantiene presión en la herramienta, el embrague impulsor se soltará y el tornillo dejará de girar.

Cuando se alcance completamente el par seleccionado, el embrague de par trinqueteará. Si el tornillo no queda completamente asentado, aumente el número del parámetro de par hasta lograr el par deseado.

**NOTA:** Practique colocar tornillos en pedazos de material de desecho para familiarizarse con la herramienta y con el embrague impulsor antes de intentar hacerlo en la pieza de trabajo.

3. Para extraer los tornillos, coloque la palanca de avance/retroceso en la posición de retroceso.

#### Cómo insertar tornillos para madera

Cuando inserte tornillos para madera, se recomienda perforar un orificio piloto para facilitar la inserción y evitar dañar la madera. Como regla general, el diámetro del orificio piloto debe ser aproximadamente 70% del diámetro del tornillo. El diámetro de los orificios piloto en madera dura debe ser aproximadamente 90% del diámetro del tornillo. La profundidad del orificio piloto debe ser menor que el largo del tornillo, cuando menos el equivalente a un diámetro de éste. Así, la punta del tornillo podrá penetrar la madera y brindar mayor sujeción.

Escarie la parte superior del orificio para permitir que el vástago calce adecuadamente entre la cabeza del tornillo y los hilos. Cuando utilice un tornillo de cabeza plana, escarie la parte superior del orificio para permitir que la cabeza del tornillo que desea insertar quede al ras con la superficie de trabajo. De ser necesario, use jabón o cera para facilitar la inserción del tornillo.

### MANTENIMIENTO



#### ADVERTENCIA

**Para reducir el riesgo de lesiones, desconecte siempre la herramienta antes de darle cualquier mantenimiento. Nunca desarme la herramienta ni trate de hacer modificaciones en el sistema eléctrico de la misma. Acuda siempre a un Centro de Servicio MILWAUKEE para TODAS las reparaciones.**

#### Mantenimiento de las herramientas

Adopte un programa regular de mantenimiento y mantenga su herramienta en buenas condiciones. Antes de usarla, examine las condiciones generales de la misma. Inspeccione guardas, interruptores, el cable de la herramienta y el cable de extensión. Busque tornillos sueltos o flojos, defectos de alineación y dobleces en partes móviles, así como montajes inadecuados, partes rotas y cualquier otra condición que pueda afectar una operación segura. Si detecta ruidos o vibraciones anormales, apague la herramienta de inmediato y corrija el problema antes de volver a usarla. No utilice una herramienta dañada. Colóquela una etiqueta que diga "NO DEBE USARSE" hasta que sea reparada (vea "Reparaciones").

Bajo condiciones normales, no se requiere lubricación hasta que haya que cambiar los carbones. Después de 6 meses a un año, dependiendo del uso dado, envíe su herramienta al Centro de Servicio MILWAUKEE más cercano para que le hagan:

- Lubricación
- Inspección y cambio de carbones
- Inspección mecánica y limpieza (engranes, flechas, baleros, carcara, etc.)
- Inspección eléctrica (interruptor, cable, armadura, etc.)
- Probarla para asegurar una operación mecánica y eléctrica adecuada.



#### ADVERTENCIA

**Para reducir el riesgo de lesiones, descarga eléctrica o daño a la herramienta, nunca la sumerja en líquidos ni permita que estos fluyan dentro de la misma.**

#### Limpieza

Limpie el polvo y suciedad de las ventilas. Mantenga las empuñaduras de la herramienta limpias, secas y libres de aceite y grasa. Use sólo jabón neutro y un trapo húmedo para limpiar su herramienta ya que algunas sustancias y disolventes limpiadores pueden ocasionar daños a materiales plásticos y partes aislantes. Algunos de estos incluyen: gasolina, trementina, diluyente para barniz, diluyente para pintura, disolventes limpiadores clorados, amoníaco, y detergentes caseros que contengan amoníaco.

#### Reparaciones

Si su instrumento se daña, vuelva el instrumento entero al más cercano centro de reparaciones.

### ACCESORIOS



#### ADVERTENCIA

**Para reducir el riesgo de lesiones, desconecte siempre su herramienta antes de colocar o retirar un accesorio. Use solo accesorios recomendados específicamente. Otros pueden ser peligrosos.**

Para una lista completa de accesorios, refiérase a su catálogo MILWAUKEE Electric Tool o visite nuestro sitio en Internet: [www.milwaukeeetool.com](http://www.milwaukeeetool.com). Para obtener un catálogo, contacte su distribuidor local o uno de los centros.

#### Cables de cambio rápido Quik-Lok®

2,4 m (8') - Cat. No. 48-76-4008  
7,6 m (25') - Cat. No. 48-76-4025

#### Estuche metálico

Cat. No. 48-55-0711

### GARANTÍA LIMITADA DE CINCO AÑOS

Todas las herramientas MILWAUKEE se prueban antes de abandonar la fábrica y se garantiza que no presentan defectos ni en el material ni de mano de obra. En el plazo de cinco (5) años a partir de la fecha de compra MILWAUKEE reparará o reemplazará (a discreción de MILWAUKEE), sin cargo alguno, cualquier herramienta (cargadores de baterías inclusive) cuyo examen determine que presenta defectos de material o de mano de obra. Devuelva la herramienta, con gastos de envío prepagados y asegurada, y una copia de la factura de compra, u otro tipo de comprobante de compra, a una sucursal de reparaciones/ventas de la fábrica MILWAUKEE o a un centro de reparaciones autorizado por MILWAUKEE. Esta garantía no cubre los daños ocasionados por reparaciones o intentos de reparación por parte de personal no autorizado por MILWAUKEE, abuso, desgaste y deterioro normal, falta de mantenimiento o accidentes.

El período de garantía para las baterías V28 es de dos (2) años a partir de la fecha de compra. El período de garantía para las baterías Ni-Cd, linternas, radios y polipastos es de un (1) año a partir de la fecha de compra.

LOS DERECHOS A REPARACIÓN Y REEMPLAZO DESCRITOS EN EL PRESENTE DOCUMENTO SON EXCLUSIVOS. MILWAUKEE NO SERÁ EN NINGÚN CASO RESPONSABLE DE DAÑOS INCIDENTALES, ESPECIALES O CONSECUENTES, INCLUYENDO LA PÉRDIDA DE GANANCIAS.

ESTA GARANTÍA ES EXCLUSIVA Y SUSTITUYE A TODA OTRA GARANTÍA, O CONDICIONES, ESCRITAS U ORALES, EXPRESAS O IMPLÍCITAS DE COMERCIALIZACIÓN O IDONEIDAD PARA UN USO O FIN DETERMINADO.

Esta garantía le proporciona derechos legales específicos. Es posible que usted tenga otros derechos que varían de estado a estado y de provincia a provincia. En aquellos estados que no permiten la exclusión de garantías implícitas o la limitación de daños incidentales o consecuentes, las limitaciones anteriores pueden que no apliquen. Esta garantía es válida solamente en los Estados Unidos, Canadá y México.



## UNITED STATES - MILWAUKEE Service

MILWAUKEE prides itself in producing a premium quality product that is NOTHING BUT HEAVY DUTY®. Your satisfaction with our products is very important to us!

If you encounter any problems with the operation of this tool, or you would like to locate the *factory Service/Sales Support Branch* or *authorized service station*

nearest you, please call...

**1-800-SAWDUST**

(1.800.729.3878)

NATIONWIDE TOLL FREE

Monday-Friday • 8:00 AM - 4:30 PM • Central Time

or visit our website at

**www.milwaukeetool.com**

For service information, use the 'Service Center Search' icon found in the 'Parts & Service' section.

Additionally, we have a nationwide network of *authorized* Distributors ready to assist you with your tool and accessory needs. Check your "Yellow Pages" phone directory under "Tools-Electric" for the names & addresses of those nearest you or see the 'Where To Buy' section of our website.

Corporate After Sales Service - Technical Support  
Brookfield, Wisconsin USA

•Technical Questions •Service/Repair Questions •Warranty

**1-800-SAWDUST**

(1.800.729.3878) fax: 1.800.638.9582

**email: metproductsupport@milwaukeetool.com**

Monday-Friday • 8:00 AM - 4:30 PM • Central Time

## Canada - Service MILWAUKEE

MILWAUKEE est fier de proposer un produit de première qualité NOTHING BUT HEAVY DUTY®. Votre satisfaction est ce qui compte le plus!

En cas de problèmes d'utilisation de l'outil ou pour localiser le centre de service/ventes ou le *centre d'entretien* le plus proche, appelez le...

**416.439.4181**

fax: 416.439.6210

**Milwaukee Electric Tool (Canada) Ltd**

755 Progress Avenue  
Scarborough, Ontario M1H 2W7

Notre réseau national de distributeurs *agréés* se tient à votre disposition pour fournir l'aide technique, l'outillage et les accessoires nécessaires. Composez le 416.439.4181 pour obtenir les noms et adresses des revendeurs les plus proches ou bien consultez la section «Où acheter» sur notre site web à l'adresse

**www.milwaukeetool.com**

## MEXICO - Soporte de Servicio MILWAUKEE

**Milwaukee Electric Tool, S.A. de C.V.**

Blvd. Abraham Lincoln no. 13

Colonia Los Reyes Zona Industrial

Tlalnepanitla, Edo. México C.P. 54073

Tel. (55) 5565-1414 Fax: (55) 5565-6874

Adicionalmente, tenemos una red nacional de distribuidores *autorizados* listos para ayudarle con su herramienta y sus accesorios. Por favor, llame al (55) 5565-1414 para obtener los nombres y direcciones de los más cercanos a usted, o consulte la sección 'Where to buy' (Dónde comprar) de nuestro sitio web en

**www.milwaukeetool.com**

MILWAUKEE ELECTRIC TOOL CORPORATION

13135 West Lisbon Road • Brookfield, Wisconsin, U.S.A. 53005