



o w n e r s m a n u a l

## OMNISAT V2 SERIES

*Mirage*<sup>®</sup>

PRINTED IN CHINA  
7A//OMNIS-V2

## IMPORTANT SAFETY INSTRUCTIONS - READ CAREFULLY !

**Read Instructions:** All safety and operating instructions should be read before the product is operated.

**Retain instructions:** Safety and operating instructions should be retained for future reference.

**Heed Warnings:** All warnings on the product & operation instructions should be adhered to.

**Follow Instructions:** All operating and use instructions should be followed.

**Cleaning:** Unplug the product from the wall before cleaning. Do not use aerosol or liquid cleaners, just a damp cloth.

### DO NOT EXPOSE THE SPEAKERS TO DIRECT RAINFALL OR SUBMERGE THEM UNDERWATER – PERMANENT DAMAGE WILL RESULT

**Damage Requiring Service:** The product should be serviced by qualified personnel when:

- The appliance does not appear to operate normally or exhibits a marked change in performance; or
- Product has been dropped, or the enclosure damaged.
- If the product does not operate normally by following the operating instructions.

## MIRAGE OMNISAT V2 SERIES

Please take the time to read all of the instructions contained in this manual to make certain your system is properly connected and functioning correctly.

Please retain the carton and packing materials for this Mirage product to protect it in the event it ever has to be shipped to a service center for repairs. Product received damaged by a service center that has been shipped by an end user in anything other than the original packaging will be repaired, refurbished, and properly packaged for return shipment at the end user's expense.

## INTRODUCTION

We are proud to welcome you as a new owner of a Mirage speaker system. The finest components and materials are manufactured to exacting standards and tested with sophisticated manufacturing and quality control techniques to ensure exceptional performance that is superior to speakers costing several times their price. This approach to the development of the Mirage OMNISAT V2 has resulted in a significant improvement over other system designs in terms of performance and aesthetics.

## COMPANY BACKGROUND

Mirage loudspeakers and subwoofers are designed and manufactured by Audio Products International Corp., known throughout the industry as "API". A Canadian company founded in 1973, API is one of the world's largest speaker manufacturers, supplying products to over sixty countries internationally.

The renowned Mirage research team advances its speaker development through the use of computer-based design techniques combined with multiple listening rooms and anechoic chambers. Mirage is manufactured in a modern 165,000 square foot facility located in Toronto, Canada. A dedicated team of engineering, marketing, and manufacturing people creates the finest speakers in the world for your ultimate music or home theater listening pleasure. Now it's time to set up your system and experience the miracle of Mirage Omnipolar sound.

## THE OMNISAT V2 SERIES

The main goal of the new OMNISAT V2 was to provide a series of speakers with the most natural, accurate performance that could excel at both home theater and music reproduction. This was accomplished by using Mirage's newest proprietary Omnipolar technology. Omnipolar technology produces the same amount of direct and reflected sound as live events for the most realistic experience of either music or home theater.

## WHAT EXACTLY IS OMNIPOLAR?

Omnipolar technology uses natural room reflections to create a greater sense of realism. This is accomplished by recreating the same ratio of direct to reflected sound - 70% reflected and 30% direct, that is typically found in performance spaces. A conventional speaker only produces 30% reflected sound. It is the additional reflected sound provided by a Mirage Omnipolar speaker that creates a miraculous three-dimensional sound experience in your home.

## SPEAKER PLACEMENT

The Mirage OMNISAT V2 has been designed for high performance in a wide variety of settings, but here are a few helpful hints that will help to maximize performance and your enjoyment.

### Left and Right Channels

A general guideline for speaker placement is to set up the space between speaker and listener at approximately 1-1/2 times the distance between the speakers. For example, if the speakers were ideally placed a minimum of 6 feet apart, the best seating position would be 9 feet away.

Ideal height would position the speaker at approximately ear level when the listener is in a seated position. For the OMNISAT V2 satellite, this can be accomplished by using the recommended OMNISAT V2 stand.

### Center Channel

A center channel can be expected to reproduce as much as 60% of a movie's soundtrack, most of which is dialogue. In order to maintain the effect of voices emanating from the actor's mouth, the OMNISAT V2CC should be centrally located between the left and right OMNISAT V2 speakers and be placed above or below the television.

### Surround Channel

The surround speakers should be positioned adjacent to and slightly behind the primary listening area, on the rear or side wall or on the ceiling to provide a sense of spaciousness and ambience for all Surround Sound formats. These speakers should ideally be placed above ear level for best performance. See diagram 3.

## MOUNTING OPTIONS

### OMNISAT V2 Satellite

The small size and Omnipolar dispersion of the versatile OMNISAT V2 Satellite speakers permits them to be easily wall mounted. The OMNISAT V2 Satellite comes equipped with its own specifically designed wall bracket. The bracket allows for two simple installation alternatives:

- Carefully drive a #8 screw into a stud in the wall, leaving approximately 1/4 inch of the screw exposed, then mount the OMNISAT V2 Satellite like you would a picture. Note: Failure to attach the screw safely to a secure spot on the wall can result in damage or injury. When mounting the speaker at a height of under six feet, orient the OMNISAT V2 Satellite in an upright position. Slide the head of the screw into the wide portion of the channel opening and slide the OMNISAT V2 Satellite downward until it sits in position. When mounting the speaker at a height of over six feet, orient the OMNISAT V2 Satellite in an upside down position so the grill is facing the floor and use the bottom key-way channel. Slide the head of the screw into the wide portion of the channel opening and slide the OMNISAT V2 Satellite downward until it sits in position. See Diagrams 2a, 3
- Start by marking the bracket's screw positions on the wall with a pencil, then screw the bracket to the wall. Drywall anchors are recommended for any drywall wall mount installation to ensure a solid installation. After the bracket has been mounted to the wall, the OMNISAT V2 Satellite speaker can simply be mounted to the bracket by tightening the included bolt to the bottom of the OMNISAT V2. See Diagrams 2b, 3

**CEILING MOUNT:** The OMNISAT V2 Satellite speakers can also be ceiling mounted. Please follow the same instructions outlined in section b above.

## OMNISAT V2 CC CENTER CHANNEL:

- Choose the desired mounting position. If possible, find a position on the wall that allows the OMNISAT V2 CC to be mounted directly to a wall stud. Attach the mounting template (included in the box) to the desired position by using tape or small nails. (Diagram 6)

**IMPORTANT: The arrows on the template should point in the same direction as the grill. If the OMNISAT V2 CC is mounted below 6 feet, the grille should face upwards and therefore the arrows on the template should also point upwards. If the OMNISAT V2 CC is mounted above 6 feet, the grille should face downwards, and similarly the arrows on the template should also point downwards.**

- Using a level, ensure the template is attached level to the wall. It is critical that the template is level as a mistake at this stage will result in uneven mounting of the OMNISAT V2 CC. (Diagram 7)
- Outline the two rectangular boxes. Mark the smaller box with an X. The smaller box is needed for the wire management outlining the recommended wall cut-out. (Diagram 8)
- After the template has been removed, use a drywall saw to cut out the smaller rectangular box marked with an X. Please note that this step is only required if the wires will be fed through the wall. If a different wire management system is being used, please ignore this step. (Diagram 9)

5. Mount the wall bracket into position. The use of proper anchors for all screws is required to ensure a secure installation. Please note that screws and anchors are not included in the OMNISAT V2 CC package. (Diagram 10)
6. Feed the wires through the hole cut out. (Diagram 11)
7. Connect the wires to the appropriate binding posts at the back of the OMNISAT V2 CC.

**IMPORTANT: Connect the speaker wire from the positive (RED +) terminal on the amplifier to the positive (RED+) terminal on the speaker. Connect the negative (BLACK-) terminal on the amplifier to the negative (BLACK-) terminal on the speaker.**

8. After the wires are connected, hang the OMNISAT V2 CC on the wall bracket. Center the OMNISAT V2 CC and push down lightly on the speaker to achieve a tight fit between the speaker and the bracket. If the speaker is not centered, repeat this step. (Diagram 12)

## BOOKSHELF/ENTERTAINMENT UNIT PLACEMENT

The small size and Omnipolar dispersion of the versatile OMNISAT V2 Satellite and OMNISAT V2CC center channel speakers permits them to be easily placed, among other places, in a bookshelf. To maximize the Omnipolar dispersion potential, bring the speaker as close to the front of the cabinet as possible.

## CONNECTIONS

The Mirage OMNISAT V2 series is equipped with high quality binding posts that permit the use of banana plugs, spades, or a bare wire connection. Connect the speaker wire from the positive (RED +) terminal on the amp to the positive (RED+) terminal on the speaker. Connect the negative (BLACK-) terminal on the amplifier to the negative (BLACK-) terminal on the speaker.

Mirage, SCT™, and Create Your Sound™, are trademarks of Audio Products International Corp. "Dolby", "Dolby Pro-Logic", and "Dolby Digital" are trademarks of Dolby Laboratories Licensing. "DTS" is a trademark of Digital Theater Systems Inc.

## SPECIFICATIONS:

### OMNISAT V2 (Satellite)

System Type:	2-way Magnetically Shielded OMNIPOLAR Satellite
Frequency Response:	70 Hz-20KHz, +/- 3dB
Tweeter:	1" (25mm) PTH™ Pure Titanium Hybrid
Woofer:	4.5" Polypropylene Titanium Deposit Hybrid woofer
Power Handling:	150 watts
Crossover Point:	2.7 kHz
Room Efficiency:	89 dB
Impedance:	8-ohm nominal, 4 ohm minimum
Recommended	10 to 150-watts RMS/Channel
Inputs:	High Quality 5-way Binding Posts
Dimensions (H x W x D in)	8.12 x 5.53 x 5.9
Dimensions (H x W x D cm)	20.62 x 14.05 x 14.99

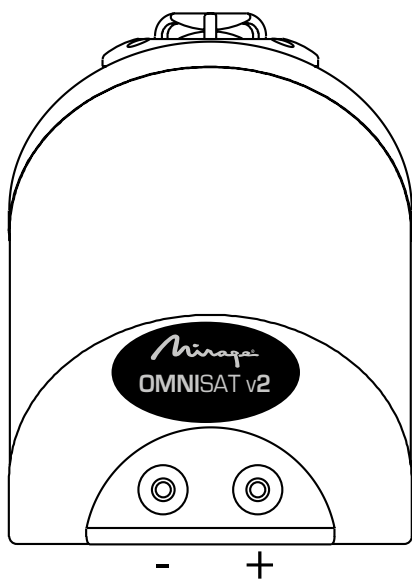
### OMNISAT V2 FS (Floorstanding model)

System Type:	2 1/2 way Magnetically Shielded OMNIPOLAR Tower with hybrid bass loading
Frequency Response:	55Hz-20KHz, +/- 3dB
Tweeter:	1" PTH
Woofer:	(1) 4.5" Poly Titanium deposit hybrid in sealed sub-enclosure, (2) 4.5" Poly titanium deposit hybrid with (4) 4.5" Poly titanium hybrid passive radiators
Power Handling:	175 watts
Crossover Point:	900Hz, 2.5kHz
Room Efficiency:	94dB
Impedance:	8-ohm nominal, 4-ohm min
Inputs:	High Quality 5-way Binding Posts
Dimensions (H x W x D in)	45 x 5.53 x 5.9 (height includes glass base)
Dimensions (H x W x D cm)	114.3 x 14.05 x 14.99

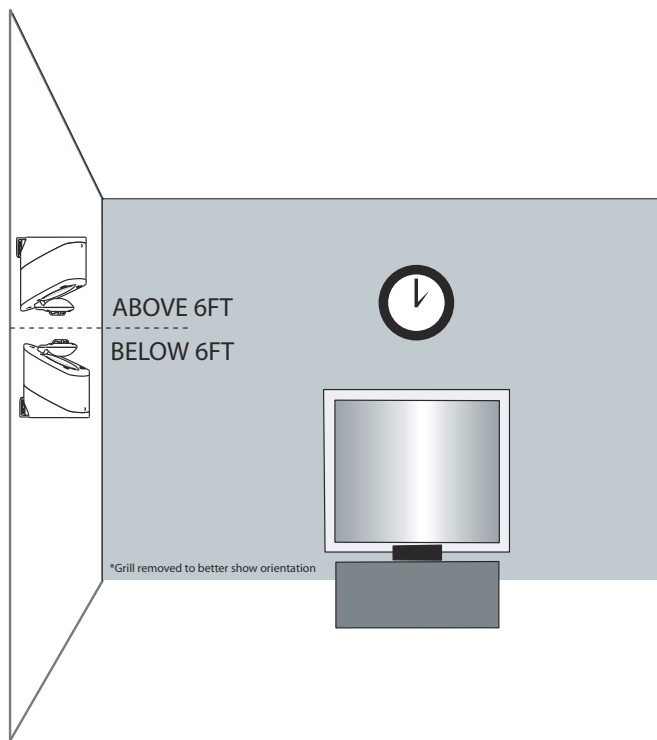
### OMNISAT V2 CC (Center Channel)

System Type:	3-way Magnetically shielded OMNIPOLAR centre channel
Frequency Response:	70Hz-20kHz
Tweeter:	3/4" PTH
Woofer:	3" Poly titanium deposit hybrid midrange, 2 x 4.5" Poly titanium hybrid woofers with neodymium motors
Power Handling:	175 watts
Crossover Point:	700Hz, 2.7kHz
Room Efficiency:	91dB
Impedance:	8-ohms nominal, 4-ohm min
Dimensions (H x W x D in)	5.21 x 17.8 x 4.62
Dimensions (H x W x D cm)	13.23 x 45.21 x 11.73

1



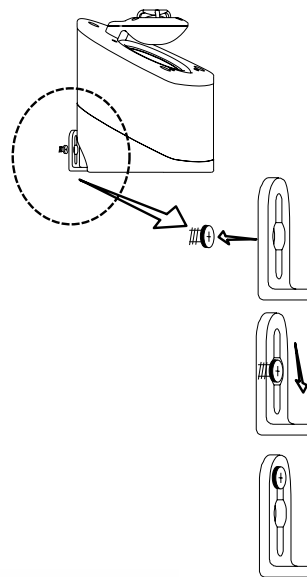
3



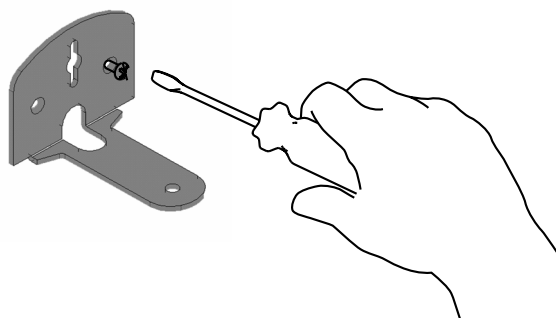
## OMNISAT V2 Wall Mount Options

2

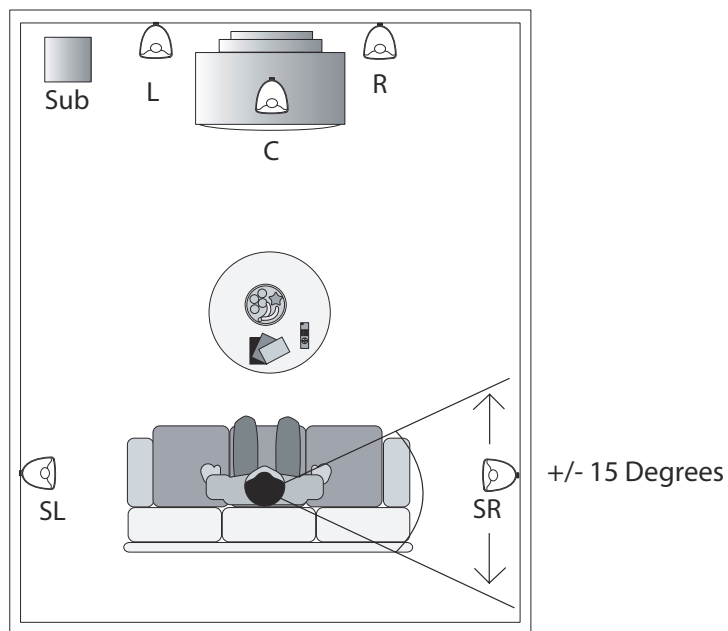
a.



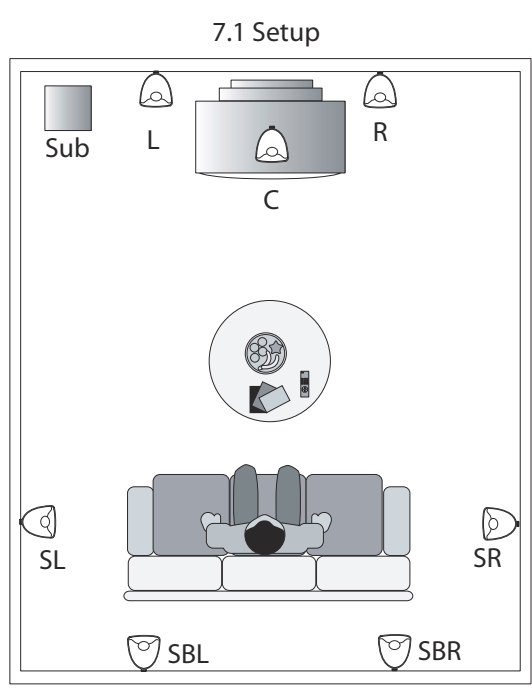
b.



4

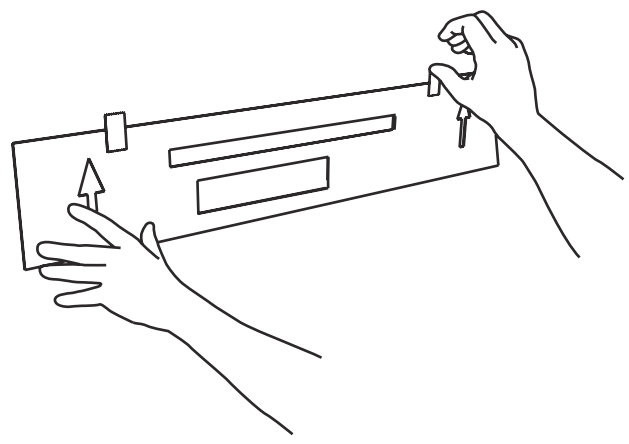


5

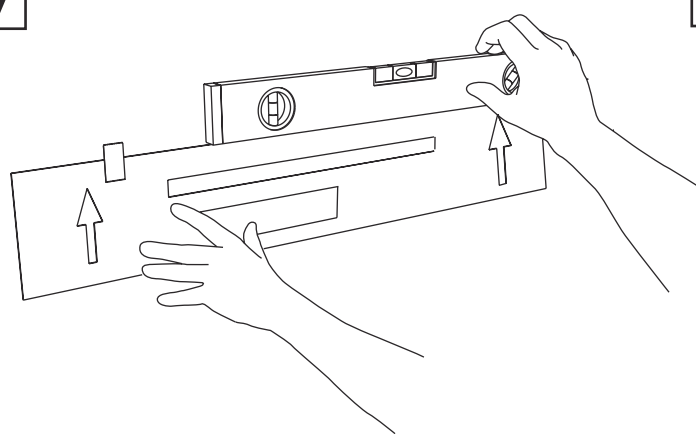


6

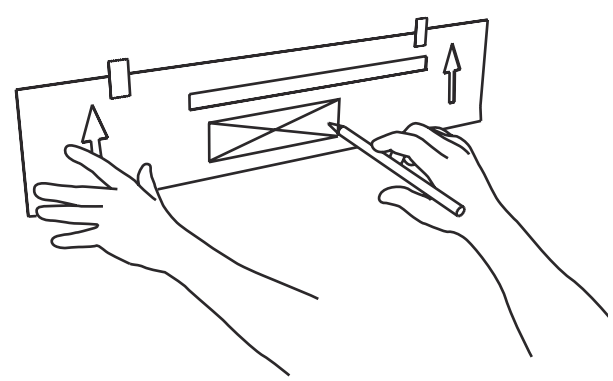
### OMNISAT V2 CC Wall Mount



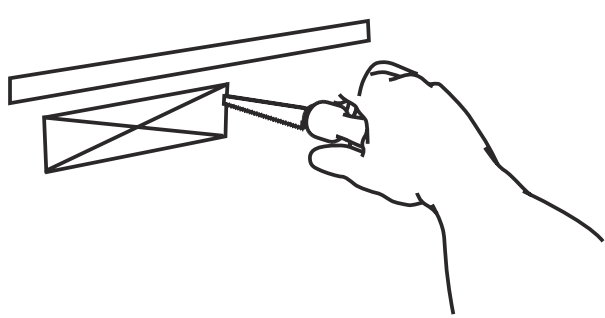
7



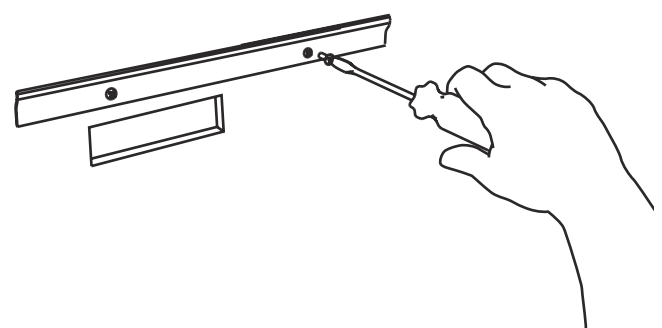
8



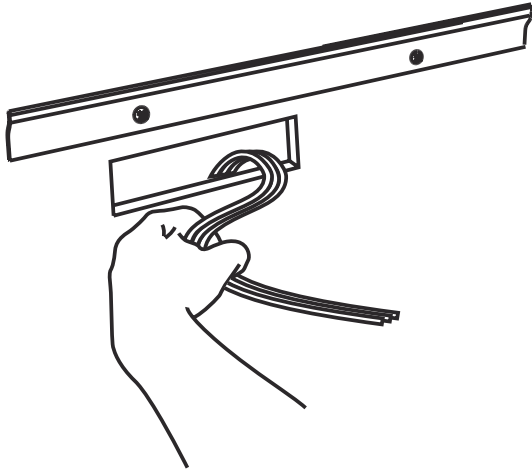
9



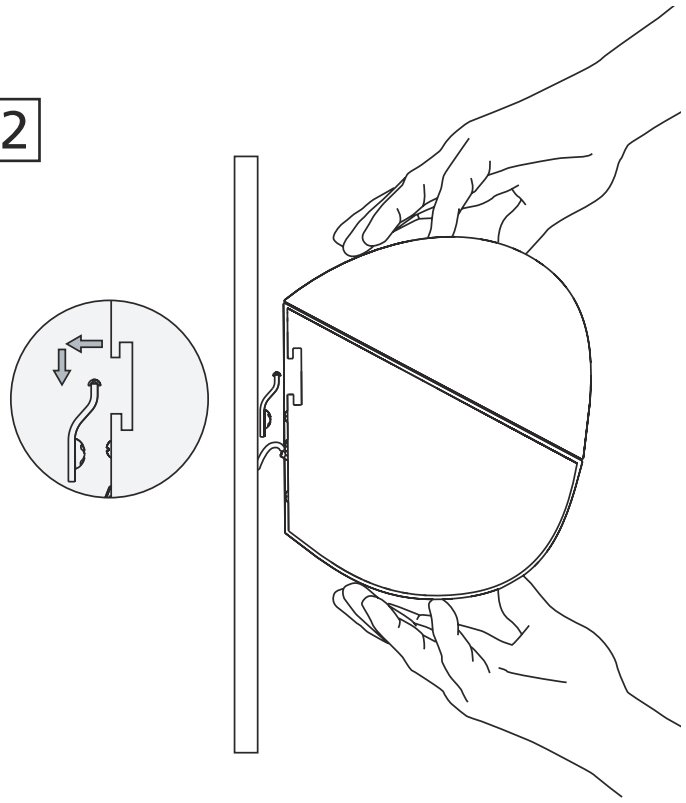
10



11



12

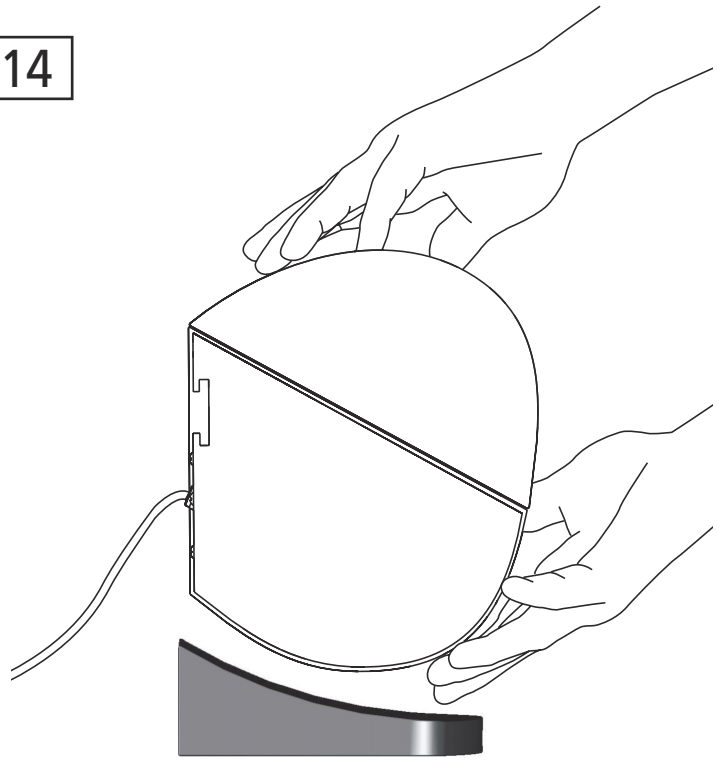


OMNISAT V2 CC Table Top Mount

13



14





# WARRANTY

# GARANTIE

## Limited Warranty Policy in the United States and Canada

**MIRAGE®** warrants this product to the retail purchaser against any failure resulting from original manufacturing defects in work-manship or materials.

The warranty is in effect for a period of:

- 1) for the Speaker Section, five (5) years, and
- 2) for the Subwoofer, one (1) year,

from date of purchase by the original owner from an authorized **MIRAGE®** dealer, and is valid only if the original dated bill of sale is presented when service is required.

The warranty does not cover damage caused during shipment, by accident, misuse, abuse, neglect, unauthorized product modification, failure to follow the instructions outlined in the owner's manual, failure to perform routine maintenance, damage resulting from unauthorized repairs or claims based upon misrepresentations of the warranty by the seller.

### Warranty Service

If you require service for your **MIRAGE®** speaker(s) at any time during the warranty period, please contact:

- 1) the dealer from whom you purchased the product(s),
- 2) **MIRAGE® NATIONAL SERVICE**, 203 Eggert Road, Buffalo, N.Y. 14215 Tel: 716-896-9801 or
- 3) **MIRAGE®**, a division of Audio Products International Corp., 3641 McNicoll Avenue, Toronto, Ontario, Canada, M1X 1G5, Tel: 416-321-1800.
- 4) Additional service centers can be found by checking the **MIRAGE®** website: [www.miragespeakers.com](http://www.miragespeakers.com) or, by calling either of the above numbers.

You will be responsible for transporting the speakers in adequate packaging to protect them from damage in transit and for the shipping costs to an authorized **MIRAGE®** service center or to **MIRAGE®**. If the product is returned for repair to **MIRAGE®** in Toronto or Buffalo, the costs of the return shipment to you will be paid by **MIRAGE®**, provided the repairs concerned fall within the Limited Warranty. The **MIRAGE®** Warranty is limited to repair or replacement of **MIRAGE®** products. It does not cover any incidental or consequential damage of any kind. If the provisions in any advertisement, packing cartons or literature differ from those specified in this warranty, the terms of the Limited Warranty prevail.

## Garantie aux États-Unis et au Canada

La société **MIRAGE®** garantit cet appareil contre toute défectuosité attribuable aux pièces d'origine et à la main-d'oeuvre.

Cette garantie est valide pendant une période de :

- 1) cinq (5) ans sur la section haut-parleurs ;
- 2) un (1) an sur la sous-grave

à partir de la date d'achat auprès d'un revendeur **MIRAGE®** agréé ; la garantie ne sera honorée que sur présentation d'une pièce justificative de la date d'achat.

La garantie ne couvre aucun dommage subi pendant le transport ou imputable à un accident, à une utilisation impropre ou abusive, à la négligence, à une modification non autorisée, à la non-observance des instructions décrites dans le manuel de l'utilisateur ou des directives d'entretien, ni aucun dommage subi par suite de réparations non autorisées ou de réclamations fondées sur une mauvaise interprétation des conditions de la présente garantie par le revendeur.

### Service sous garantie

Dans l'éventualité où une réparation deviendrait nécessaire pendant la période de couverture de la garantie, communiquez avec :

- 1) le revendeur auprès de qui l'appareil a été acheté,
- 2) **MIRAGE® National Service**, 203, Eggert Road, Buffalo, N.Y. 14215, tél. : 716-896-9801 ou
- 3) **MIRAGE®**, 3641, avenue McNicoll, Toronto (Ontario), Canada, M1X 1G5, tél. : 416-321-1800.
- 4) Pour connaître l'adresse de tous nos centres de service, consultez le site Web de **MIRAGE®** à [www.miragespeakers.com](http://www.miragespeakers.com) ou composez l'un des numéros indiqués plus haut.

Le propriétaire de l'appareil est responsable de son emballage et de tous frais d'expédition à un centre de service **MIRAGE®** agréé ou à **MIRAGE®**. Si l'appareil est expédié à **MIRAGE®** à Toronto ou à Buffalo aux fins de réparation, les frais de réexpédition seront assumés par **MIRAGE®** à la condition que les réparations effectuées soient couvertes par la garantie. La garantie est limitée à la réparation ou au remplacement des appareils fabriqués et distribués par **MIRAGE®**. Elle ne couvre aucun dommage indirect ou consécutif de quelque nature que ce soit. Si les conditions accompagnant toute publicité, emballage ou documentation divergent de celles de la présente garantie, les conditions de la présente garantie prévaudront.