



SSX2830
MICRO BOX BLUETOOTH SPEAKER
OWNER'S MANUAL



PRODUCT INFORMATION

Model # _____
Date of Purchase _____

WARNING

Please read these safety warnings and cautions carefully to ensure your personal safety and to prevent property damage.

Fire and Electric Shock Hazard

- Do not expose your SSX2830 Micro Box Bluetooth Speaker to liquid, moisture, humidity, or rain. Do not use the SSX2830 near a bathtub, sink, sauna, pool, or steam room. Exposure of the SSX2830 to moisture could result in electric shock.
- Do not drop, disassemble, open, crush, bend, deform, puncture, shred, microwave, incinerate, paint, or insert foreign objects into the SSX2830. Such actions could result in electric shock.
- Clean the SSX2830 only with a dry cloth.
- Do not expose your SSX2830 to extremely high or low temperatures.
- Do not leave your SSX2830 in direct sunlight for extended periods of time.
- Do not leave your SSX2830 near open flames such as cooking burners, candles, or fireplaces.
- Do not block any ventilation openings.

Battery/Charger Hazard

- Do not dispose of your SSX2830 in a fire. The battery could explode causing injury or death.
- Only charge the battery in accordance with the user instructions supplied with the SSX2830.
- Do not attempt to disassemble the SSX2830 charger or force open the built-in battery because this may result in electric shock.
- Do not charge the SSX2830 in damp areas or in extremely high or low temperatures because this could result in electric shock.
- Do not clean the SSX2830 when it is being charged. Always unplug the charger first before cleaning the SSX2830.

Automobile Accident Hazard

- Do not leave or store the SSX2830 or any of its accessories near or over your automobile's airbag because serious injury may result when an airbag deploys.

Fall Hazard

- Do not place the SSX2830 on high surfaces such as shelves. During music playback the SSX2830 may move which could cause the SSX2830 to shift and fall off the edge.

CAUTION

- Do not use abrasive cleaners to clean your SSX2830 because this could cause scratches and damage.
- Do not bring your SSX2830 in contact with any sharp objects because this could cause scratches and damage.
- Do not insert anything into your SSX2830 unless otherwise specified in the user instructions. This may damage the internal components.
- Do not attempt to repair, modify, or disassemble your SSX2830 yourself, it does not contain any user-serviceable components.
- Do not attempt to replace your SSX2830 battery, it is built-in and is not changeable.
- Use only the manufactured supplied charger to charge your SSX2830. Other chargers may look similar, but using them could result in electric shock and could damage the SSX2830.
- Observe all signs and displays that require an electrical device or RF radio product to be switched off in designated areas.
- Turn off your SSX2830 prior to boarding an aircraft. Do not use the SSX2830 inside an aircraft unless allowed by your airline.
- Dispose of the SSX2830 and it's battery in accordance with local regulations. Do not dispose of battery with regular household waste.

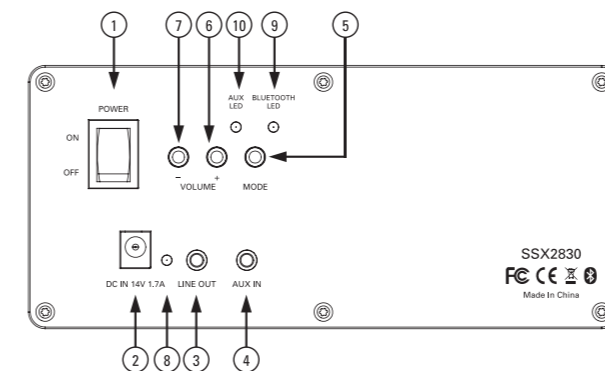
FEATURES

- Dual High Powered Full Range Speakers
- Integrated Microphone Allows for Hands Free Phone Conferencing
- Bluetooth® 4.0 with aptX
- Built-In Digital Amplifier with DSP
- Built In Rechargeable Battery with up to 8 Hour Playback Capacity
- 2 Character LED Indicates Status Information
- AUX Input via 3.5mm Stereo Jack
- Audio Output via 3.5mm Stereo Jack
- UL Certified DC 14V 1.7A Power Supply

CONTROL FUNCTIONS

- Power - Power On/Off
- DC IN Port - Connect the included power supply to this port in order to recharge the internal battery or to use with standard 120V power outlets.
- Line Output - 3.5mm connector (Black)
- AUX In - 3.5mm connector allows for connection of any audio source with a 3.5mm output to be connected to the SSX2830. (Green)
- Mode - This multiple key input selection cycles through Bluetooth® (default) and AUX modes. The system will enter sleep mode after 5 minutes without input. This button will also wake the system when in sleep mode.
- Volume Down - Press once or press and hold to decrease volume.
- Volume Up - Press once or press and hold to increase volume.
- Charge LED (Red/Green) - Indicates the charge status. When in charging mode the LED will illuminate red. When charging is finished, the LED will illuminate green.
- Bluetooth® LED (Blue) - Indicates Bluetooth® connection. When there is a change to Bluetooth® input, it will flash on. The LED will continue to flash 2x per second to indicate pairing mode. The LED will be a solid light to indicate the device is paired.
- AUX LED (Green) - When there is change to the AUX input this LED will be solid green.

PANEL LAYOUT



CHARGING

Plug the Snap-on® Micro Box Bluetooth Speaker into an outlet using the included wall charger. The LED will illuminate red while charging, changing to green when fully charged. The device will require 2.5 hours or more to fully charge the internal battery.

WIRELESS CONNECTION

Access Bluetooth® settings on your smartphone, tablet, computer, or device and connect to "Snap-on® Toolbox". Press the Mode button until the blue LED flashes indicating pairing mode. Once the device is connected, the blue light will be solid.

AUX CONNECTION

Connect the Snap-on® Micro Box Bluetooth Speaker to any device with a headphone jack or line out using the included 3.5mm audio cable. The green LED will light indicating that a connection has been made.

SPEAKERPHONE

Use the Snap-on® Micro Box Bluetooth Speaker as a portable speakerphone when connected wirelessly via Bluetooth®.



FCC STATEMENT

- This device complies with Part 15 of the FCC Rules. Operation is subject to the following two conditions: (1) This device may not cause harmful interference.
- This device must accept any interference received, including interference that may cause undesired operation.

NOTE: This equipment has been tested and found to comply with the limits for a Class B digital device, pursuant to Part 15 of the FCC Rules. These limits are designed to provide reasonable protection against harmful interference in a residential installation.

This equipment generates uses and can radiate radio frequency energy and, if not installed and used in accordance with the instructions, may cause harmful interference to radio communications. However, there is no guarantee that interference will not occur in a particular installation. If this equipment does cause harmful interference to radio or television reception, which can be determined by turning the equipment off and on, the user is encouraged to try to correct the interference by one or more of the following measures:

- Reorient or relocate the receiving antenna.
- Increase the separation between the equipment and receiver.
- Connect the equipment into an outlet on a circuit different from that to which the receiver is connected.
- Consult the dealer or an experienced radio/TV technician for help.

FCC Radiation Exposure Statement:

This equipment complies with FCC radiation exposure requirement. The device can be used in portable exposure condition without RF striction

Changes or modifications not expressly approved by the party responsible for compliance could void the user's authority to operate the equipment.

Snap-on is a trademark of Snap-on Incorporated and used under license. ©Snap-on Incorporated 2013. Designed and Engineered in U.S.A. Made in China.

© 2013 Mitek Corporation. All rights reserved. MTX is a trademark of Mitek Corporation. Designed and Engineered in the U.S.A.

Due to continual product development, all specifications are subject to change without notice.

MTX Audio, 4545 East Baseline Rd. Phoenix, AZ 85042 U.S.A.

MTX004737 RevA 10/13

21A10096