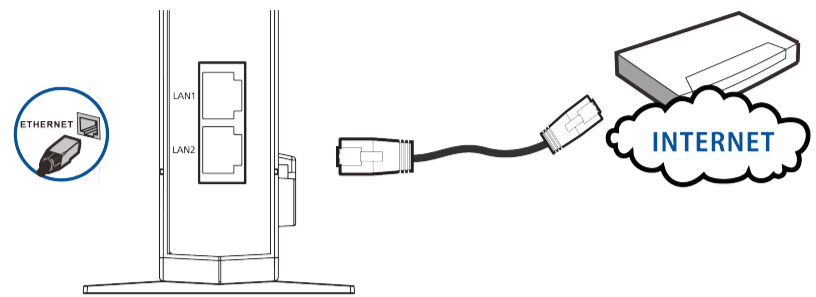


### Part 1: Hardware Installation

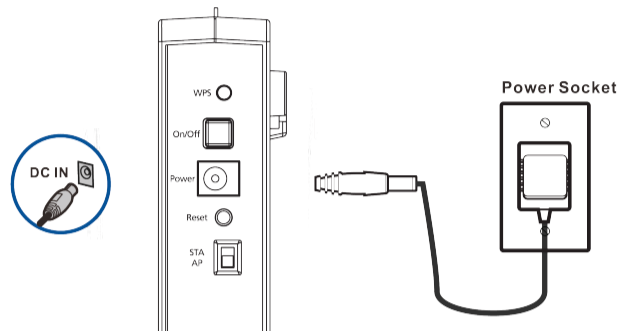
1

Connect one end of the provided Ethernet cable to one of the LAN ports of the AW525 or AW505, and the other end to an Internet sharing router or gateway's Ethernet port.



2

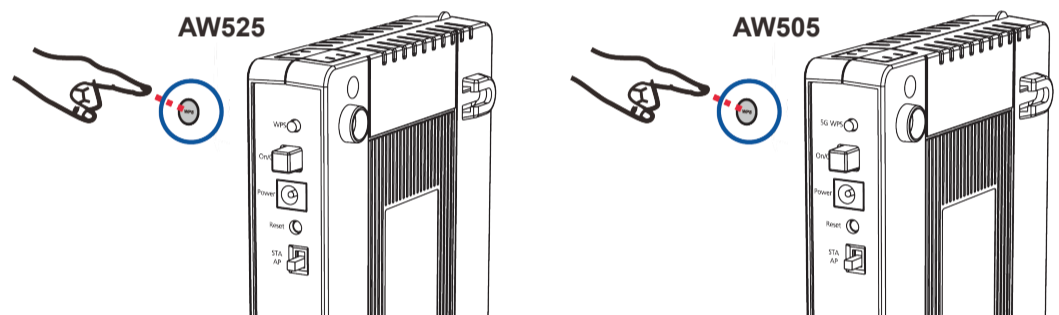
Connect the provided power adapter to the AW525 or AW505 and plug it into a power source and ensure the power LED is on.



### Part 2: Connecting Wireless Device with WPS Button

1

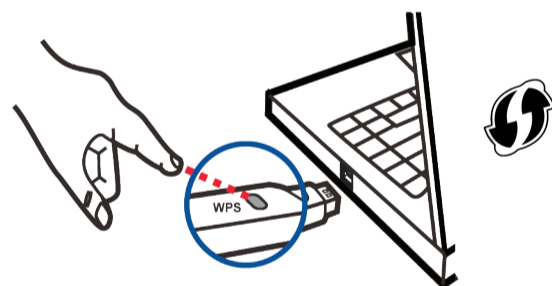
Press the WPS button on the AW525 or the 5G WPS button on the AW 505. The Wi-Fi LED should begin to flash orange.



2

Within 2 minutes, press your preferred wireless device's WPS button. The WPS LED on the AW525 or AW505 should light up green and the Wi-Fi LED should now be green too, indicating you've successfully connected.

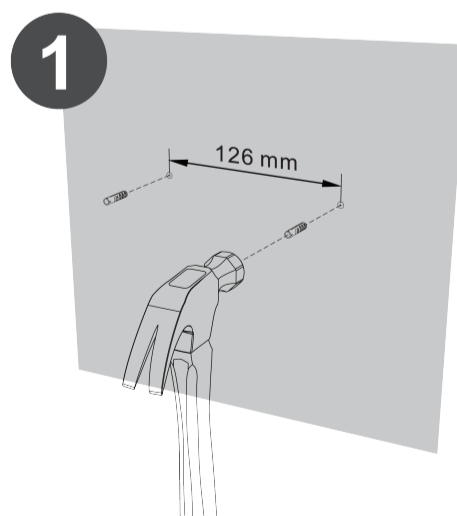
The WPS LED will turn off and can be pressed again to connect another device.



### Part 3: Wall Mounting

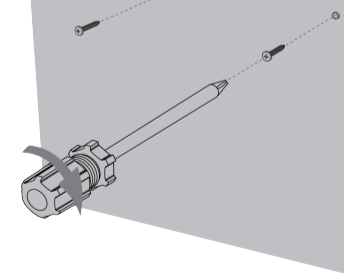
1

Use a hammer to tap the screw anchors into the holes.



2

M4-L30



2

Insert and slowly screw the screws into the anchors (or the holes if you are not using anchors). Make sure the screws are snugly fastened to the wall. They need to hold the weight of the Device with the connection cables. Do not screw the screws all the way into the wall. Leave a small gap of about 0.5 cm between the heads of the screws and the wall.

3

Align the holes on the back of the Device with the screws on the wall.

Hang the Device on the screws.

3

