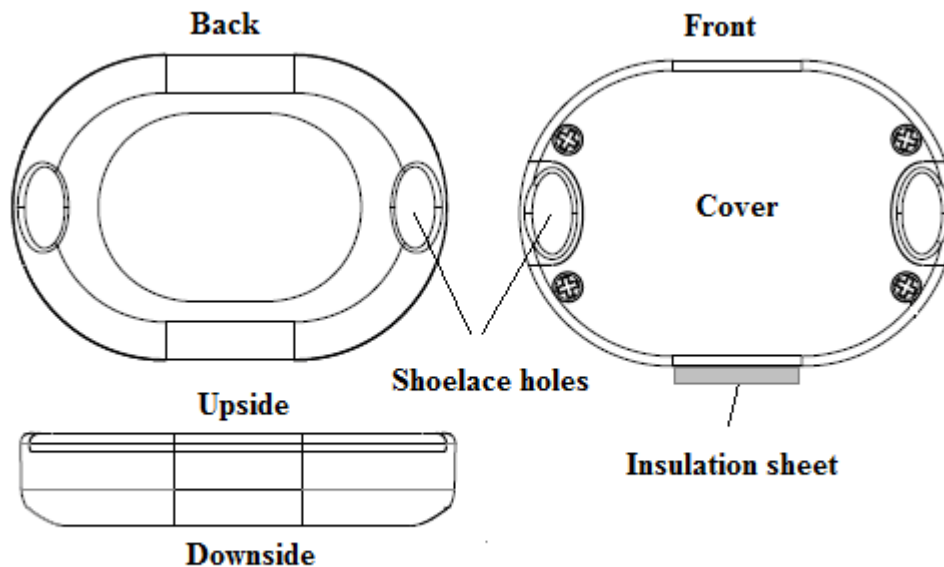


## Device Overview



### Requirements for use:

Please make sure you have the following items prepared before use with the device:

- Sneakers: Any sneakers that come with shoelace or an insertion slot where a pace counter can be placed. (e.g. Nike or Adidas special edition sneakers)
- Mobile phone: Any Android (v4.3 and up suggested) mobile phone with built-in 4.0 Bluetooth or iOS device, such as iPhone 4S/5/5S/5C, iPad mini/4 or iPod Touch 5.

### Installation

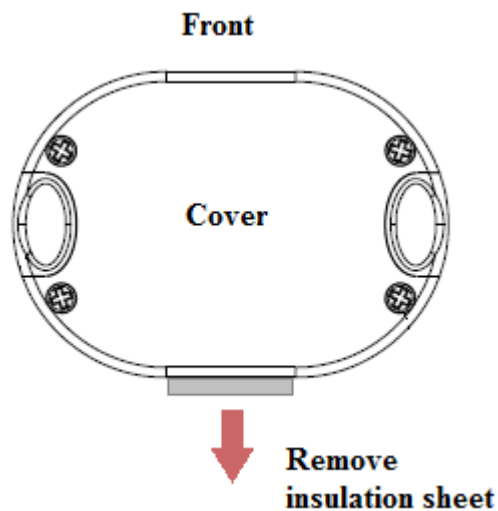
For Android phone users, please download i-gotU Sports from Google Play. For iOS device users, please download i-gotU Sports from iTunes App Store.

QR code for Android phone



<https://market.android.com/details?id=com.mobileaction.isports>

## 2. Remove battery insulation sheet



The device comes with a battery pre-inserted. Before using the device, the insulation sheet must be removed in order to use the device.

### **Important Notice**

Please remove the insulation sheet as shown in the image illustrated above. (Improper removal of the insulation sheet might end up breaking the insulation sheet.) Once the battery fails to activate, you will need to open the battery cover, and clean out scraps of the broken sheet.

## 3. Install Pedometer

### a. Install Pedometer on top of Sneakers

When the device is tightened on the shoelace, make sure the color side faces up, while the shoelace should be pulled through the two shoelace holes aside the device and tied with a knot to fasten the device.

### **Important Notice**

While tying the shoelace, pull one through from upward while the other from downward, and make sure the color side faces up.

Please try to keep the device at horizontal level, for excessive tilting might cause incorrect detection.

### b. Install Device on the Soles of the Sneakers

This device can also be installed in shoes that come with insertion slot for pace pedometer, such as Nike or Adidas shoes with special feature marks.

Lift up the shoe pad while installing the device, and make sure the color side faces up while inserted in the slot.

#### 4. Device Calibration

After installing the device in the sneakers, it must be calibrated before use to increase accuracy of detection. During calibration, please run i-gotU Sports on your mobile phone, and enter the pedometer option page where the device can be scanned and searched for calibration. Please run calibration per procedures as shown in the illustration images.

#### **Notes**

1. Although the device is useable in the rain, it is prohibited to be used under water.
2. Please do not use any corrosive chemical to clean the device.
3. Bluetooth is disabled by default. Bluetooth will be activated automatically upon detection of any shoe movement.

## FCC Statement

This device complies with part 15 of the FCC rules. Operation is subject to the following two conditions: (1) this device may not cause harmful interference, and (2) this device must accept any interference received, including interference that may cause undesired operation.

NOTE: The manufacturer is not responsible for any radio or TV interference caused by unauthorized modifications to this equipment. Such modifications could void the user's authority to operate the equipment.

This equipment has been tested and found to comply with the limits for a Class B digital device, pursuant to part 15 of the FCC Rules. These limits are designed to provide reasonable protection against harmful interference in a residential installation. This equipment generates and can radiate radio frequency energy and, if not installed and used in accordance with the instructions, may cause harmful interference to radio communications. However, there is no guarantee that interference will not occur in a particular installation.

If this equipment does cause harmful interference to radio or television reception, which can be determined by turning the equipment off and on, the user is encouraged to try to correct the interference by one or more of the following measures:

- Reorient or relocate the receiving antenna.
- Increase the separation between the equipment and receiver.
- Connect the equipment into an outlet on a circuit different from that to which the receiver is connected.
- Consult the dealer or an experienced radio/TV technician for help.

The user's manual or instruction manual for an intentional or unintentional radiator shall caution the user that changes or modifications not expressly approved by the party responsible for compliance could void the user's authority to operate the equipment. In cases where the manual is provided only in a form other than paper, such as on a computer disk or over the Internet, the information required by this section may be included in the manual in that alternative form, provided the user can reasonably be expected to have the capability to access information in that form.