

Universal Wireless Remote Control For Use In Model Rail Roding Application

Application:

5 Remote controls outputs can be used to control Building lights, Slow Motion Switch Machines, Triggering sound unit. It can also be used to remote control any model rail roding accessory which need 3.6 - 5.5 V to operate. within 10 feet.

Transmitter:

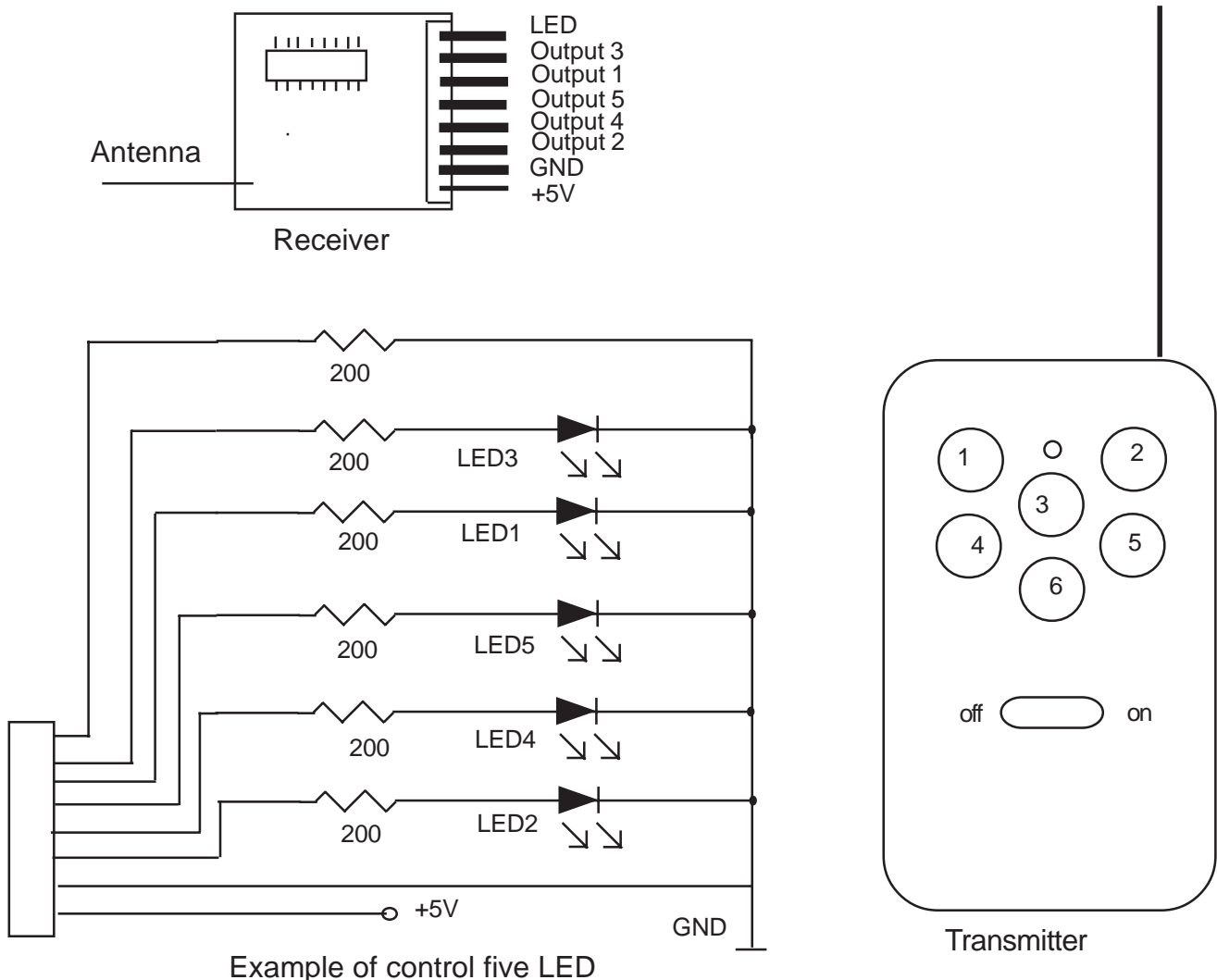
Powered by A23 (12V) battery. It has a power switch and 6 push buttons.

Reciever: Powered by 3.6-5.5 VDC

Operation:

Press and hold buttons #1 on the transmitter. The output #1 on the receiver will output high voltage (3.6 - 5.5V depends on the receiver's DC power supply). Release button #1 on the transmitter. The output #1 on the receiver will output 0 volt. Press and hold button #2 to #5. The output #4 to #5 will output high voltage (3.6 - 5.5V) respectively. Press and hold button #6. The output #4 and #5 will output high voltage (3.6 - 5.5V) at the same time.

Operation Range: 3 meter



NOTE:

THE MANUFACTURER IS NOT RESPONSIBLE FOR ANY RADIO OR TV INTERFERENCE CAUSED BY UNAUTHORIZED MODIFICATIONS TO THIS EQUIPMENT. SUCH MODIFICATIONS COULD VOID THE USER AUTHORITY TO OPERATE THE EQUIPMENT.