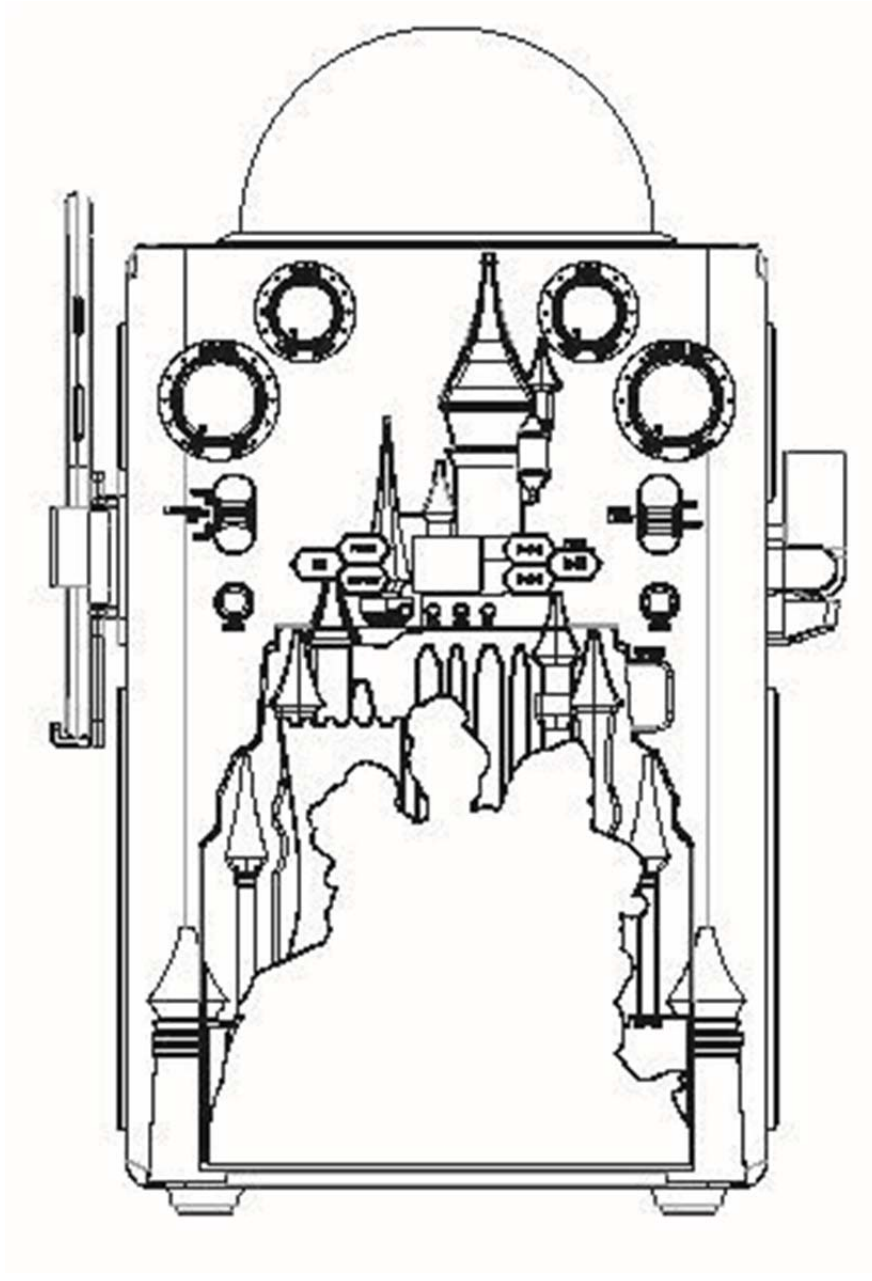


JT1076

USER'S GUIDE

***DISCOBALL BLUETOOTH & CDG
KARAOKE***



V 1.0

PLEASE READ BEFORE OPERATING THIS EQUIPMENT

Warnings and Precautions

CAUTION: TO PREVENT ELECTRIC SHOCK, MATCH WIDE BLADE OF PLUG TO WIDE SLOT, FULLY INSERT.

WARNING: To reduce the risk of fire or electric shock, do not expose this apparatus to rain or moisture.

AVERTISSEMENT: Pour réduire le risque d'incendie ou de choc électrique, ne pas exposer cet appareil sous la pluie et l'humidité.

CAUTION: Use of controls or adjustments or performance of procedures other than those specified may result in hazardous radiation exposure.

WARNING: Changes or modifications to this unit not expressly approved by the party responsible for compliance could void the user's authority to operate the equipment.

WARNING: Do not place the unit on top of any soft, porous, or sensitive surfaces to avoid damaging the surface. Use a protective barrier between the unit and surface to protect the surface

WARNING: Changes or modifications to this unit not expressly approved by the party responsible for compliance could void the user's authority to operate the equipment.

WARNING: Do not place the unit on top of any soft, porous, or sensitive surfaces to avoid damaging the surface. Use a protective barrier between the unit and surface to protect the surface.

WARNING: Use of this unit near florescent lighting may cause interference regarding use of the remote. If the unit is displaying erratic behavior move away from any florescent lighting, as it may be the cause.

CAUTION: Danger of explosion if battery is incorrectly replaced. Replace only with the same or equivalent type.

PRÉCAUTION: Danger d'explosion si les piles sont remplacées de façon incorrect. Remplacer les piles seulement par le même type de pile ou l'équivalent.

WARNING: There is a danger of explosion if you attempt to charge standard Alkaline batteries in the unit. Only use rechargeable NiMH batteries.

WARNING: The remote control's button cell battery contains mercury. Do not put in the trash, instead recycle or dispose of as hazardous waste.

WARNING: Lithium batteries, like all rechargeable batteries are recyclable and should be recycled or disposed of in normal household waste. Contact your local government for disposal or recycling practices in your area. They should never be incinerated since they might explode.

WARNING: Shock hazard - Do Not Open.
AVIC: RISQUE DE CHOC ÉLECTRIQUE - NE PAS OUVRIR

Mains plug is used as disconnect device and it should remain readily operable during intended use. In order to disconnect the apparatus from the mains completely, the mains plug should be disconnected from the mains socket outlet completely.

La prise du secteur est utilisé pour déconnecter le système.

La prise du secteur ne doit pas être obstruée ou doit être facilement accessible pendant son utilisation. Pour

être complètement déconnecté de l'alimentation d'entrée, la prise doit être débranchée du secteur.



WARNING: TO REDUCE THE RISK OF ELECTRIC SHOCK, DO NOT REMOVE COVER (OR BACK). NO USER-SERVICEABLE PARTS INSIDE. REFER SERVICING TO QUALIFIED SERVICE PERSONNEL.



The lightning fash with arrowhead symbol, within an equilateral triangle, is intended to alert the user to the presence of uninsulated "dangerous voltage" within the product's enclosure that may be of sufficient magnitude to constitute a risk of electric shock to persons.



The exclamation point within an equilateral triangle is intended to alert the user to the presence of important operating and maintenance (servicing) instructions in the literature accompanying the appliance.



This product utilizes a Class 1 laser to read Compact Discs. This laser Compact Disc Player is equipped with safety switches to avoid exposure when the CD door is open and the safety interlocks are defeated. Invisible laser radiation is present when the CD Player's lid is open and the system's interlock has failed or been defeated. It is very important that you avoid direct exposure to the laser beam at all times. Please do not attempt to defeat or bypass the safety switches.

This device complies with Part 15 of the FCC rules. Operation is subject to the following two conditions: 1) this device may not cause harmful interference, and 2) this device must accept any interference received, including interference that may cause undesired operation.

Changes or modifications not expressly approved by the party responsible for compliance could void the user's authority to operate the equipment. This device complies with Industry Canada's licence-exempt RSSs. Operation is subject to the following two conditions:

(1) This device may not cause interference; and
(2) This device must accept any interference, including interference that may cause undesired operation of the device.

Cet appareil est conforme aux CNR exempts de licence d'Industrie Canada. Son fonctionnement est soumis aux deux conditions suivantes:

(1) Ce dispositif ne peut causer d'interférences; et
(2) Ce dispositif doit accepter toute interférence, y compris les interférences qui peuvent causer un mauvais fonctionnement de l'appareil.

Important Safety Instructions

1. Read these instructions.
2. Keep these instructions.
3. Heed all warnings.
4. Follow all instructions.
5. Do not use this apparatus near water.
6. Clean only with dry cloth.
7. Do not block any ventilation openings. Install in accordance with the manufacturer's instructions.
8. Do not install near any heat sources such as radiators, heat registers, stoves, or other apparatus (including amplifiers) that produce heat.
9. Do not defeat the safety purpose of the polarized or grounding-type plug. A polarized plug has two blades with one wider than the other. A grounding type plug has two blades and a third grounding prong. The wide blade or the third prong are provided for your safety. If the provided plug does not fit into your outlet, consult an electrician for replacement of the obsolete outlet.
10. Protect the power cord from being walked on or pinched particularly at plugs, convenience receptacles, and the point where they exit from the apparatus.
11. Only use attachments/accessories specified by the manufacturer.



12. Use only with the cart, stand, tripod, bracket, or table specified by the manufacturer, or sold with the apparatus. When a cart is used, use caution when moving the cart/apparatus combination to avoid injury from tip-over.
13. Unplug this apparatus during lightning storms or when unused for long periods of time.
14. Refer all servicing to qualified service personnel. Servicing is required when the apparatus has been damaged in any way, such as power-supply cord or plug is damaged, liquid has been spilled or objects have fallen into the apparatus, the apparatus has been exposed to rain or moisture, does not operate normally, or has been dropped.

"This equipment complies with FCC RF radiation exposure limits set forth for an uncontrolled environment.

This equipment should be installed and operated with a minimum distance of 20 centimeters between the radiator and your body."

FCC Warning

NOTE: This equipment has been tested and found to comply or has been dropped with the limits for a Class B digital device, pursuant to Part 15 of the FCC Rules. These limits are designed to provide reasonable protection against harmful interference in a residential installation. This equipment generates, uses, and can radiate radio frequency energy and, if not installed and used in accordance with the instructions, may cause harmful interference to radio communications. However, there is no guarantee that interference will not occur in a particular installation. If this equipment does cause harmful interference to radio or television reception, which can be determined by turning the equipment off and on, the user is encouraged to try to correct the interference by one or more of the following measures:

- Reorient or relocate the receiving antenna.
- Increase the separation between the equipment and receiver.
- Connect the equipment into an outlet on a circuit different from that to which the receiver is connected.
- Consult the dealer or an experienced radio/TV technician for help .

Additional Warning

- The apparatus shall not be exposed to dripping or splashing and that no objects filled with liquids, such as vases, shall be placed on apparatus.
L'appareil ne doit pas être exposé aux écoulements ou aux éclaboussures et aucun objet ne contenant de liquide, tel qu'un vase, ne doit être placé sur l'objet.
- Main plug is used as disconnect device and it should remain readily operable during intended use. In order to disconnect the apparatus from the mains completely, the mains plug should be disconnected from the mains socket outlet completely.
La prise du secteur ne doit pas être obstruée ou doit être facilement accessible pendant son utilisation. Pour être complètement déconnecté de l'alimentation d'entrée, la prise doit être débranchée du secteur.
- Battery shall not be exposed to excessive heat such as sunshine, fire or the like.
Les piles ne doivent pas être exposées à de forte chaleur, tel qu'à la lumière du soleil, au feu ou autres choses de semblable.
- Caution marking is located at the rear or back of the apparatus.
Attention marquage est situé à l'arrière ou à l'arrière de l'appareil.
- The marking information is located at the rear or back of apparatus.
Les informations de marquage est situé à l'arrière ou à l'arrière de l'appareil.

Contents

Warnings and Precautions	1
Important Safety Instructions	2
Contents	3
Feature / Included	4
- Features	
- Included	
Introduction	5
Location Controls	6
Placing Tablet / Mobile	7
Setup Power	8
- Connect Power Adapter	
- Battery Operation	
Connect Ext. Device & Sound From Main Unit Speaker	8
- LINE IN (AUX In / AUDIO In)	
Using CD+G , CDs	9
- Loading a Disc	
- Playing a Disc	
- Repeat Function	
- Programming a Disc up to 20 tracks	
Connecting Bluetooth to Your Smartphone / Tablet	10
Connecting to a Television / DVD / Ext. Device	10
- Composite Video Output	
- RCA Audio Output	
Using Microphones	11
Using AVC and ECHO	12
- AVC	
- ECHO	
Specification	12

Feature / Included

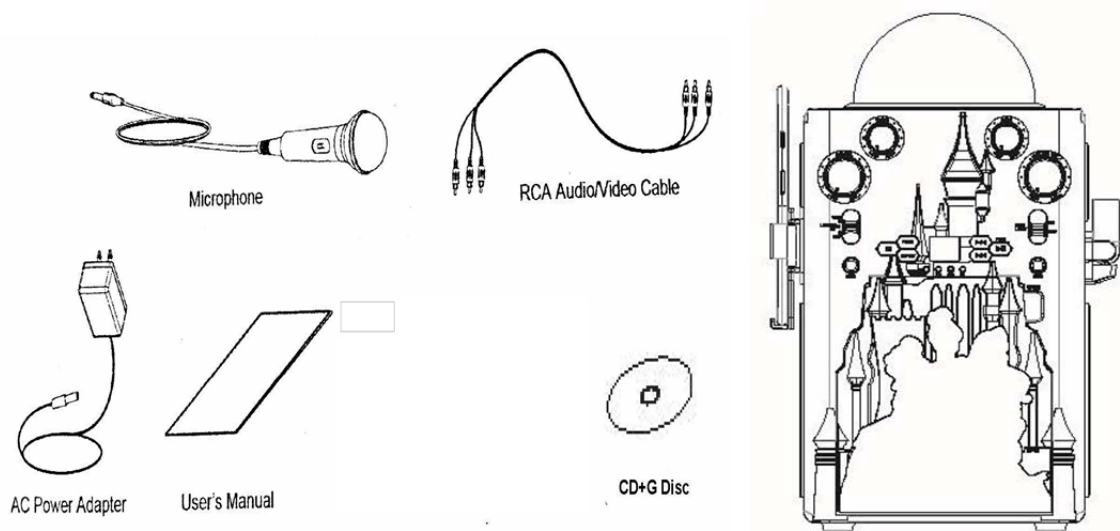
Feature

- CD player: Plays CD+G, CD, CD-R/RW Discs
- Disco ball Lights On The Top and The Handle
- Bluetooth wireless stereo audio streaming
- Support A2DP Profiles for most smart phones / laptops
- Microphone Volume Controls
- Echo Control
- AVC (Auto Voice Control) Control
- Red LED display
- Microphone Jacks, 6.3mm x2 •
- Composite video output
- RCA audio output
- Line in jack 3.5mm (Aux input / Audio input)
- Built-in speakers
- Power: Requires AC power adapter

Included

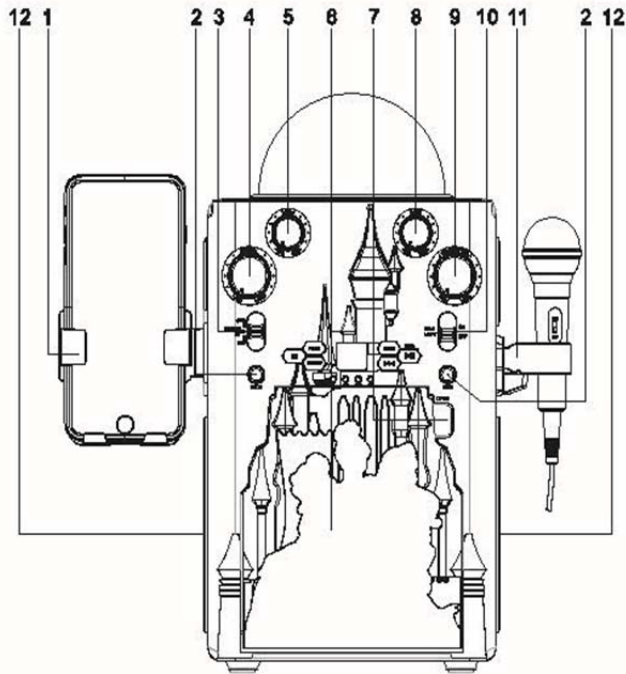
- Discoball Bluetooth & CDG Karaoke Unit
- Microphones
- RCA audio/video cable
- AC power adapter
- User Manual
- CDG disc

Discoball bluetooth & CDG Karaoke Unit

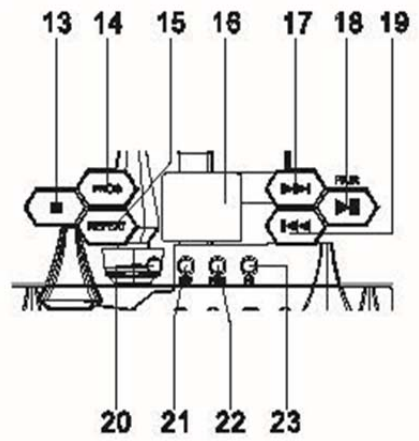


Introduction

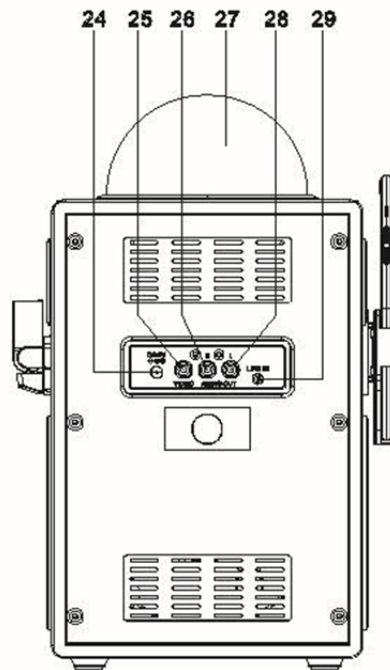
FRONT VIEW



DISPLAY & INDICATOR



REAR VIEW

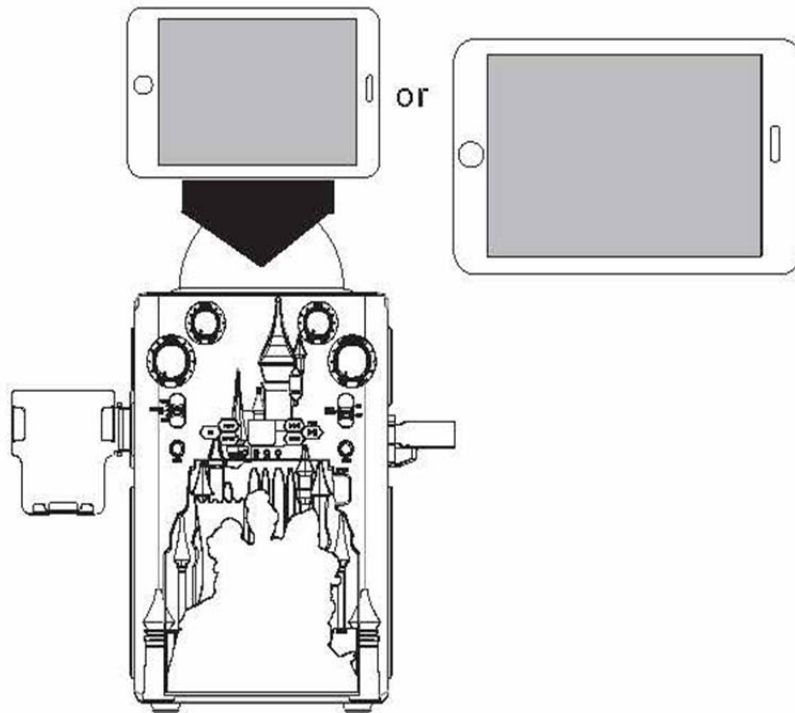


Location Controls

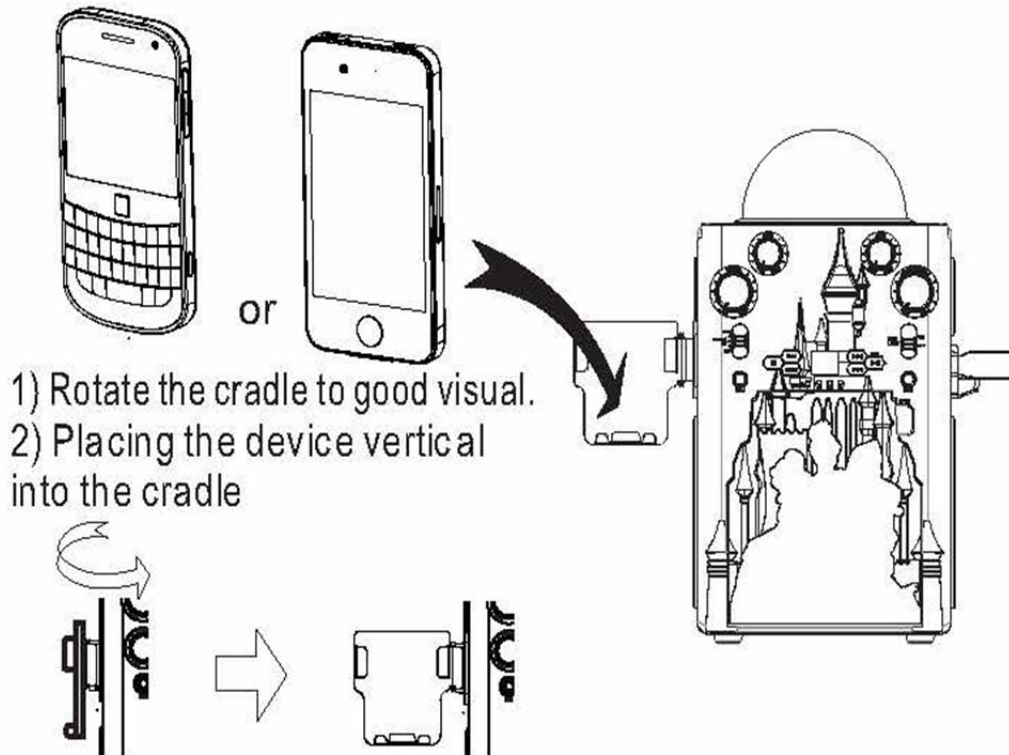
1. **CRADLE:** Place mobile phone
2. **MIC Inputs :** Mic 1 and Mic 2 input jack
3. **SOURCE:** Slide to select Line in / BT mode, CDG (DISC) mode and unit off.
4. **MIC VOLUME Dial:** Rotate to adjust the volume from the MIC input.
5. **ECHO Dial:** Rotate to adjust echo sound effect.
6. **CD DOOR**
7. **OPEN:** CD door open area. Open the door to install disc
8. **A.V.C Dial:** Turn to adjust the Voice control.
9. **MASTER VOLUME Dial:** Rotate to adjust the main volume sound level.
10. **DISC LIGHT Switch:** Slide this switch to turn on / off Disco Ball Lights.
11. **MIC HOLDER:** Place Microphone
12. **SPEAKER:** Unit Speaker location
13. **STOP Button:** Press to stop a disc playing.
14. **PROGRAM Button:** Press to program a loader disc to play tracks in specified order.
15. **REPEAT Button:** Press repeatedly to set the current track or entire disc to repeat
16. **DISPLAY:** Show disc tracks number and current operation.
17. **SKIP/SEARCH(Forward):** Press to skip next tracks on loader disc. Press and hold to fast-forward the current track on a loader disc.
18. **PLAY / PAUSE / PAIR Button:**
In CD mode, press to play or pause a loader disc.
In BT mode, press to connect another BT device.
19. **SKIP/SEARCH(Back):** Press to skip previous tracks on loader disc. Press and hold to fast-rewind the current track on a loader disc.
20. **ON Indicator:** Will be light when unit turn on.
21. **REPEAT Indicator:** Will be flash / light when REPEAT function turn on.
22. **PROG(Program) Indicator:** Will be light / flash when program mode turn on.
23. **PLAY/PAUSE Indicator:** Will be light / flash when disc playing.
24. **DC INPUT Jack:** Connect power adapter for AC power.
25. **VIDEO OUT Jack:** Connect to TV video input.
26. **AUDIO OUT R (Line out / Aux out) Jack:** Connect to external device audio input R.
27. **DISCO BALL:** Different LED light effect.
28. **AUDIO OUT L (Line out / Aux out) Jack:** Connect to external device audio input L.
29. **LINE IN (Aux in / Audio in):** Connect to external device audio output.

Placing Tablet / Mobile

Placing the device horizontal onto the top of unit



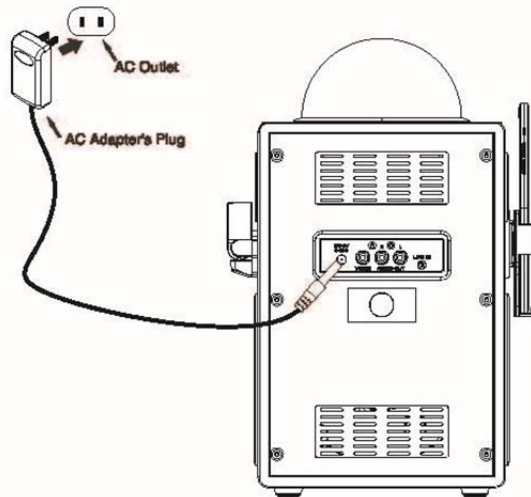
Placing the mobile vertical onto the cradle of unit



Setup Power

Connect Power Adapter

Plug the included AC adapter into the standard AC power outlet to power the **UNIT**. Connect small end to **DC INPUT** jack of main unit. After adapter connection, Slide the **SOURCE** selector to **LINE IN / BT** or **CD+G** position to turn on the unit and put the **OFF** position to turn off the unit.



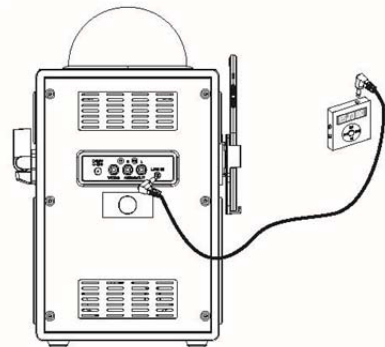
Connect Ext. Device & Sound From Main Unit Speaker

LINE IN (AUX In / AUDIO In)

To connect a MP3 Player or other Audio Device you will need a 3.5mm Auxiliary Cable.

1. Connect a 3.5 mm Auxiliary Cable to the **LINE IN** jack at the rear side of unit and to the Audio Output or Phones on the audio device you wish to play.
2. Slide the **SOURCE** selector of the Unit to **LINE IN** position.
3. Turn on both units.
4. After the connection, the external device will sound from speakers of your unit.

Please note:- If not use this function, please unplug it.



Using CD+G, CDs

Loading a Disc

1. Power on by slide the **SOURCE** Selector to CD+G position.
2. Pull out the **CD DOOR** by **DOOR OPEN AREA**.
3. Load a disc into the compartment with the printed side facing you.
4. Gently close the **CD DOOR**. The **CDG PLAYER** begins to read the disc.
The **Display** will display the total number of tracks.
5. Press **PLAY/PAUSE** button to play disc. (If no disc is loaded, "No" will be displayed).

Playing a Disc

1. Follow the instructions for Loading a Disc.
2. Press the **PLAY/PAUSE** button to begin playing the loaded disc. The **PLAY/PAUSE** indicator will light.
3. Rotate the **MASTER VOLUME** dial to select the sound level.
4. To temporarily stop playing, press the **PLAY/PAUSE** button once (**PAUSE** indicator will light). To resume play, press the **PLAY/PAUSE** button one more.
5. Press **SKIP/SEARCH** buttons to skip between next or previous tracks.
6. Hold the **SKIP / SEARCH** buttons to fast search through the track.x
Please note:- The fast-forward / fast-rewind functions will not work for CDG discs.
7. Connect the **VIDEO OUT** jack to TV, the lyrics text will show on TV.
8. Press the **STOP** button to stop playing.

Repeat Function

1. Follow the instructions for Loading a Disc and Playing a Disc.
2. When disc installed, press the **REPEAT** button once and the **REPEAT** indicator flash. The unit will play the current track repeatedly.
3. When disc installed, press the **REPEAT** button twice and **REPEAT** indicator will be light. The unit will play the entire disc repeatedly.
4. To cancel the repeat function: press the **REPEAT** button repeatedly the **REPEAT** indicator light off or press the **STOP** button twice to stop.

Programming a Disc up to 20 tracks

1. When disc playing, press the **STOP** button to stop mode.
2. Press the **PROGRAM** button and the program (PROG SET) indicator will light.
3. Press the **SKIP / SEARCH** buttons to select the track from the loaded disc you wish to play first.
4. Press the **PROGRAM** button to confirm.
5. Repeat steps 3 and 4 to program to play in a specified order.
6. Press the **PLAY** button to start the program playing.
7. Press the **STOP** button twice to cancel a program.

Connecting Bluetooth to Your Smartphone / Tablet

1. Slide the **SOURCE** button to **BT** position to connect your external Bluetooth device and the display will show Bt and flash.
2. Set the Bluetooth function of your external device to ON and begin searching for devices.
Note: The effective distance between your external device and this apparatus is 10 meters (30 feet).
3. Once "**Karaoke**" appears on the paired device list of your external device, select it.
*Notes: If cannot connect, press **PAIR** button to reconnect again.*
4. If you are asked for a password, enter "0000"
5. When both devices are successfully connected (BLUETOOTH indicator will light), now you are ready to play music wirelessly from your device.
6. Press the **PLAY** button of external Bluetooth device to start music playback.
7. Press the **NEXT / PREV** of the unit or external Bluetooth device to switch between music tracks.
*Note: After initial pairing, the unit will stay paired unless unpaired manually by the user or erased due to a reset of the device. If your device should become unpaired of your find it is unable to connect, repeat the above steps or press & hold the **PAIR** button again.*

Connecting to a Television / DVD / Ext. Device

Composite Video output

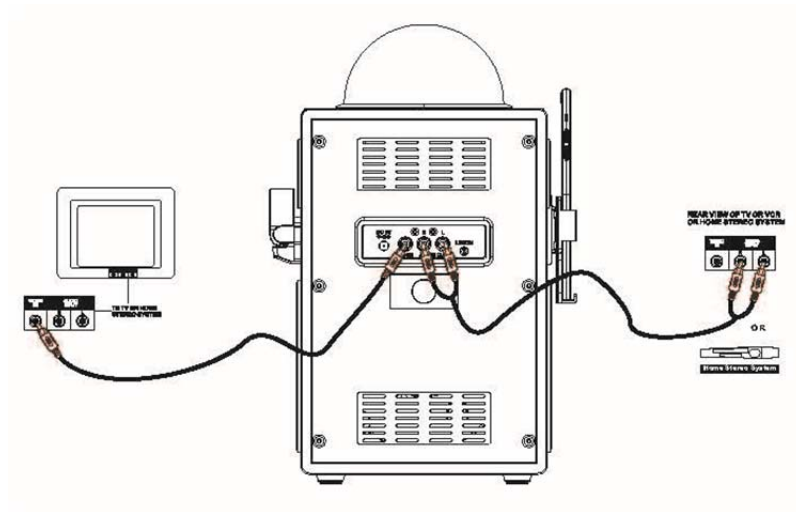
Require an **RCA** video cable.

1. Plug the included RCA audio/video cable into the **VIDEO OUT** and a composite video input on a television.
2. Adjust the television to the correct input setting.
3. When playing **CDG** discs, the **UNIT** will output written lyrics to the connected television

RCA Audio Output

Requires an **RCA** audio cable.

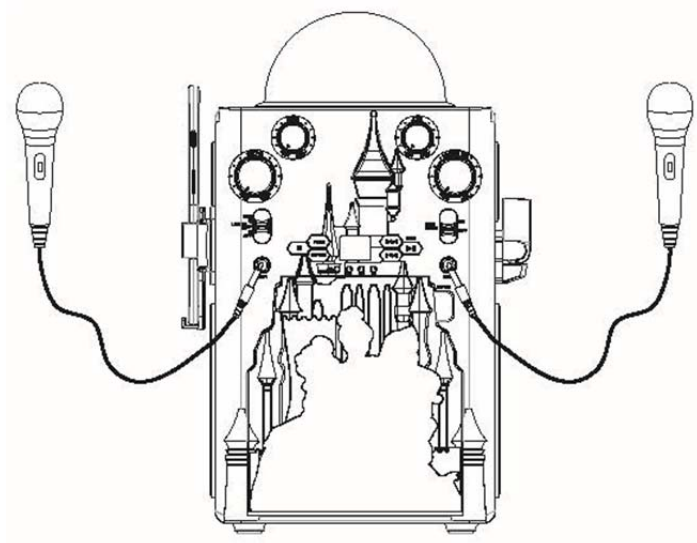
1. Plug the included RCA audio/video cable into the **AUDIO OUT** and a **RCA** audio input on a television or stereo system.
2. Adjust the television or stereo system to the correct input setting.
3. When playing the disc, the **Unit** will output audio to the connected television or stereo system. Use the external device to control the output sound level.



Using Microphone

Requires a microphone (included)

1. Plug the microphone (see below figure) into the **MIC 1 INPUT** or **MIC 2 INPUT**.
2. Slide the **ON /OFF** switch of **MICROPHONE**,
3. Use the **MIC VOLUME** dial of **KARAOKE UNIT** to adjust the volume of audio sound from the microphone.



Using AVC and ECHO



AVC

The **AVC** (Automatic Voice Control) can be activated by the A.V.C button. The vocals on the multiplex recording will be muted when the singer starts to sing through the microphone. When the singer stops singing the vocals will resume to normal.

ECHO

Adjust the **ECHO** dial of **Karaoke System** to enhance your voice for a concert hall effect.

Specification

AC Power Adapter Connect DC Jack	Use included adapter AC~ Input 120 / 60 Hz , DC Output 5V , 1. 5A
CD Player	Support CDs and CDG disc  
Master Power Output	2W x 2 RMS
Loud Speakers Spec	3 Inch, 3 Watt , 4 Ohm

Specifications are typical, individual units might vary. They are subject to continuous improvement without notice and without incurring any obligation.