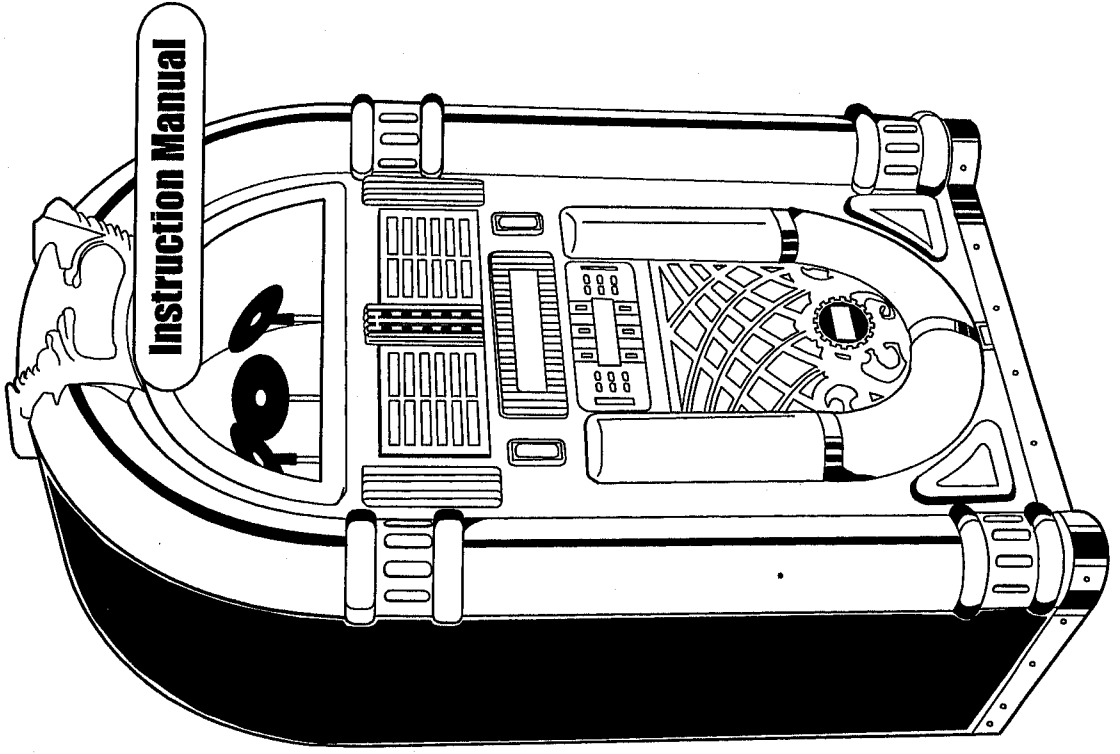


CROSLLEY
-RADIO-

CR12-3

3 CD Jukebox



WARRANTY

Crosley Radio Products are warranted against defects in material and workmanship for a period of 180 days beginning from the date of sale to the original purchaser.

Should the unit fail under normal usage during the 180 day warranty period, a request for RETURN AUTHORIZATION (R.A.) must be made by the original customer before returning the unit. Call Deer Park Distributors customer service for Return Authorization at (618) 427-3761 from 8:30 AM to 4:30 PM (Central Time) Monday through Friday.

Upon receiving the RETURN AUTHORIZATION number from the Customer Service Department, properly pack your unit in its original packaging. Include any adapters, parts, & accessories which were originally provided with the product, along with a check or money order for \$99.95 made out to Deer Park Distributors to cover the handling and return postage. Display the R.A. # on the outside of the carton and ship PREPAID via standard UPS or its equivalent.

DEER PARK DISTRIBUTORS, LLC
ATTN: RETURNS DEPARTMENT
111 W. BIRCH STREET
BROWNSTOWN, IL 62418

DEER PARK DISTRIBUTORS assumes no responsibility for units sent without prior Return Authorization.

The purchaser's bill of sale is the only proof of warranty entitlement and must accompany the unit.

The warranty does not cover damage due to acts of nature, accident, misuse, abuse, negligence, commercial use or modification of, or to any part of the product. This warranty does not cover damage due to improper operation or maintenance, connection to improper voltage supply, or attempted repair by anyone other than a facility authorized by Crosley Radio to service the product. This warranty does not cover products sold AS IS or consumables (such as fuses or batteries). This warranty is valid only in the United States.

This warranty gives the purchaser specified legal rights in addition to any rights which may vary from state to state.


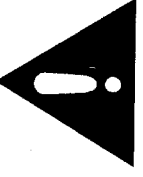
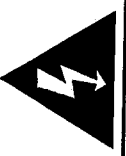
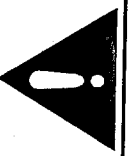
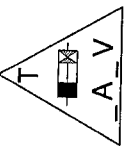
In accordance with the "Moss-Magnuson Warranty Act" of July 10, 1975, this is termed a "limited warranty" which in no way compromises Crosley Radio, high standards of Quality and Workmanship.

WARNING:

To reduce the risk of fire or electric shock, do not expose this appliance to rain or moisture.

CAUTION:

Use of controls or adjustments or performance of procedures other than those specified may result in hazardous radiation exposure.

 CAUTION RISK OF ELECTRIC SHOCK DO NOT OPEN	 CAUTION - TO REDUCE THE RISK OF ELECTRIC SHOCK, DO NOT REMOVE COVER (OR BACK). NO USER-SERVICEABLE PARTS INSIDE. REFER SERVICING TO QUALIFIED SERVICE PERSONNEL.
	The lighting flash with arrowhead symbol, within an equilateral triangle, is intended to alert user to the presence of uninsulated "dangerous voltage" within the product's enclosure that may be of sufficient magnitude to constitute risk of electric shock to persons.
	The exclamation point within an equilateral triangle is intended to alert user to the presence of important operating and maintenance (servicing) instruction in the literature accompanying the appliance.
	RISK OF FIRE - REPLACE FUSE AS MARKED

IMPORTANT SAFETY INSTRUCTION

When using an electrical appliance, basic precautions should always be followed, including the following:

- DANGER** - To reduce the risk of electric shock:
1. Always unplug this appliance from the electrical outlet before cleaning.
 2. Unplug from outlet before the risk of burns, fire, electric shock, or injury to persons:
 3. Close supervision is necessary when this appliance is used by, or near children, invalids, or disable persons.
 4. Use this appliance only for its intended use as described in this manual. Do not use attachment not recommended by the manufacturer.
 5. Never operate this appliance if it has a damaged cord or plug, if it is not working properly, if it has been dropped into water. Return the product to a service center for examination and repair.
 6. Never operate the furnishing with the air openings block.
 7. Never drop or insert any object into any opening.
 8. Do not use outdoors.
 9. To disconnect, turn all controls to the off position, then remove plug from outlet.
 10. Do not operate where aerosol (spray) products are being used or where oxygen is being administered.

"This product may cause interference to radio equipment and should not be installed near maritime safety communications equipment or other critical navigation or communication equipment operating between 0.45-30MHz."

IMPORTANT SAFETY INSTRUCTION

- PLEASE READ CAREFULLY ALL THE FOLLOWING IMPORTANT SAFEGUARDS THAT ARE APPLICABLE TO YOUR EQUIPMENT**
1. Read instructions - All the safety and operating instructions should be read before the product is operated.
 2. Retain instructions - The safety and operating instructions should be retained for future reference.
 3. Heed Warnings - All warnings on the product and in the operating instructions should be followed.
 4. Follow instructions - All operating and use instructions should be followed.
 5. Cleaning - Unplug this product from the wall outlet before cleaning. Do not use liquid cleaners or aerosol cleaners. Use a damp cloth for cleaning.
 6. Attachments - Do not use attachments not recommended by the product manufacturer as they may cause hazards.
 7. Water and Moisture - Do not use this product near water - for example, near a bath tub, wash bowl, kitchen sink, or laundry tub; in a wet basement; or near a swimming pool; and the like.

8. A product and cart combination should be moved with care. Quick stops, excessive force, and uneven surfaces may cause the product and cart combination to overturn.
9. Ventilation - Slots and openings in the cabinet are provided for ventilation and to ensure reliable operation of the product and to protect it from overheating, and these openings must not be blocked or covered. The openings should never be blocked by placing the product on a bed, sofa, rug, or other similar surface. This product should not be placed in a built-in installation such as a bookcase or rack unless proper ventilation is provided or the manufacturer's instructions have been adhered to.

10. Power Sources - This product should be operated only from the type of power source indicated on the marking label, if you are not sure of the type of power supply to your home. Consult your product dealer or local power company. For products intended to operate from battery power, or other sources, refer to the operating instructions.

11. Grounding or Polarization - This product may be equipped with a polarized alternating-current line plug (a plug having one blade wider than the other). This plug will fit into the power outlet only one way. This is a safety feature. If you are unable to insert the plug fully into the outlet try reversing the plug, if the plug should still fail to fit, contact your electrician to replace your obsolete outlet. Do not defeat the safety purpose of the polarized plug.

12. Power - Cord Protection - Power - supply cords should be routed so that they are not likely to be walked on or pinched by items placed upon or against them; paying particular attention to cords at plugs, convenience receptacles, and the point where they exit from the product.

13. Lightning - For added protection for this product during a lightning storm, or when it is left unattended and unused for long periods of time, unplug it from the wall outlet and disconnect the antenna or cable system. This will prevent damage to the product due to lightning and power-line surges.

14. Power Lines - An outside antenna system should not be located in the vicinity of overhead power lines or other electric light or power circuits, or where it can fall into such power lines or circuits. When installing an outside antenna system, extreme care should be taken to keep from touching such power lines or circuits as contact with them might be fatal.

15. Overloading - Do not overload wall outlets, extension cords, or integral convenience receptacles as this can result in a risk of fire or electric shock.

16. Object and Liquid Entry - Never push objects of any kind into this product through openings as they may touch dangerous voltage points or short-out parts that could result in a fire or electric shock. Never spill liquid of any kind on the product.

17. Servicing - Do not attempt to service this product yourself as opening or removing covers may expose you to dangerous voltage or other hazards. Refer all servicing to qualified service personnel.

18. Damage Requiring Service - Unplug this product from the wall outlet and refer servicing to qualified service personnel under the following conditions:

- a. When the power-supply cord or plug is damaged.
- b. If liquid has been spilled, or objects have fallen into the product.
- c. If the product has been exposed to rain or water.
- d. If the product does not operate normally by following the operating instructions. Adjust only those controls that are covered by the operating instructions as an improper adjustment of other controls may result in damage and will often require extensive work by a qualified technician to restore the product to its normal operation.

19. e. If the product has been dropped or damaged in any way.

f. Replacement Parts - When replacement parts are required, be sure the service technician has used replacement parts specified by the manufacturer or have the same characteristics as the original part. Unauthorized substitutions may result in fire, electric shock, or other hazards.

20. Safety Check - Upon completion of any service or repairs to this product, ask the service technician to perform safety checks to determine that the product is in proper operating condition.

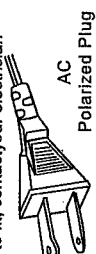
21. Wall or ceiling Mounting - The product should be mounted to a wall or ceiling only as recommended by the manufacturer.

22. Heat - The product should be situated away from heat sources such as radiators, heat registers, stoves, or other products (including amplifiers) that produce heat.

WARNING: Changes or modifications to this unit not expressly approved by the party responsible for compliance could void the user's authority to operate the equipment.

NOTE: This equipment has been tested and found to comply with the limits for a Class B digital device, pursuant to Part 15 of the FCC Rules. These limits are designed to provide reasonable protection against harmful interference in a residential installation. This equipment generates, uses, and can radiate radio frequency energy and, if not installed and used in accordance with the instructions, may cause harmful interference to radio communications. However, there is no guarantee that interference will not occur in a particular installation. If this equipment does cause harmful interference to radio or television reception, which can be determined by turning the equipment off and on, the user is encouraged to try to correct the interference by one or more of the following measures:

- Reorient or relocate the receiving antenna.
- Increase the separation between the equipment and receiver.
- Connect the equipment into an circuit different from that to which the receiver is connected.
- Consult the dealer or an experienced radio TV technician for help.



10. Power Sources - This product should be operated only from the type of power source indicated on the marking label, if you are not sure of the type of power supply to your home. Consult your product dealer or local power company. For products intended to operate from battery power, or other sources, refer to the operating instructions.
11. Grounding or Polarization - This product may be equipped with a polarized alternating-current line plug (a plug having one blade wider than the other). This plug will fit into the power outlet only one way. This is a safety feature. If you are unable to insert the plug fully into the outlet try reversing the plug, if the plug should still fail to fit, contact your electrician to replace your obsolete outlet. Do not defeat the safety purpose of the polarized plug.
12. Power - Cord Protection - Power - supply cords should be routed so that they are not likely to be walked on or pinched by items placed upon or against them; paying particular attention to cords at plugs, convenience receptacles, and the point where they exit from the product.
13. Lightning - For added protection for this product during a lightning storm, or when it is left unattended and unused for long periods of time, unplug it from the wall outlet and disconnect the antenna or cable system. This will prevent damage to the product due to lightning and power-line surges.
14. Power Lines - An outside antenna system should not be located in the vicinity of overhead power lines or other electric light or power circuits, or where it can fall into such power lines or circuits. When installing an outside antenna system, extreme care should be taken to keep from touching such power lines or circuits as contact with them might be fatal.
15. Overloading - Do not overload wall outlets, extension cords, or integral convenience receptacles as this can result in a risk of fire or electric shock.
16. Object and Liquid Entry - Never push objects of any kind into this product through openings as they may touch dangerous voltage points or short-out parts that could result in a fire or electric shock. Never spill liquid of any kind on the product.
17. Servicing - Do not attempt to service this product yourself as opening or removing covers may expose you to dangerous voltage or other hazards. Refer all servicing to qualified service personnel.
18. Damage Requiring Service - Unplug this product from the wall outlet and refer servicing to qualified service personnel under the following conditions:

a. When the power-supply cord or plug is damaged.

b. If liquid has been spilled, or objects have fallen into the product.

c. If the product has been exposed to rain or water.

d. If the product does not operate normally by following the operating instructions. Adjust only those controls that are covered by the operating instructions as an improper adjustment of other controls may result in damage and will often require extensive work by a qualified technician to restore the product to its normal operation.

e. If the product has been dropped or damaged in any way.

f. Replacement Parts - When replacement parts are required, be sure the service technician has used replacement parts specified by the manufacturer or have the same characteristics as the original part. Unauthorized substitutions may result in fire, electric shock, or other hazards.

20. Safety Check - Upon completion of any service or repairs to this product, ask the service technician to perform safety checks to determine that the product is in proper operating condition.

21. Wall or ceiling Mounting - The product should be mounted to a wall or ceiling only as recommended by the manufacturer.

22. Heat - The product should be situated away from heat sources such as radiators, heat registers, stoves, or other products (including amplifiers) that produce heat.

WARNING: Changes or modifications to this unit not expressly approved by the party responsible for compliance could void the user's authority to operate the equipment.

NOTE: This equipment has been tested and found to comply with the limits for a Class B digital device, pursuant to Part 15 of the FCC Rules. These limits are designed to provide reasonable protection against harmful interference in a residential installation. This equipment generates, uses, and can radiate radio frequency energy and, if not installed and used in accordance with the instructions, may cause harmful interference to radio communications. However, there is no guarantee that interference will not occur in a particular installation. If this equipment does cause harmful interference to radio or television reception, which can be determined by turning the equipment off and on, the user is encouraged to try to correct the interference by one or more of the following measures:

- Reorient or relocate the receiving antenna.
- Increase the separation between the equipment and receiver.
- Connect the equipment into an circuit different from that to which the receiver is connected.
- Consult the dealer or an experienced radio TV technician for help.

SPECIFICATION

Frequency Rating : AC 120V ~ 60 Hz 1.15A 138W
Power Source : FM 87.5 - 108 MHz
Power Consumption : AM 525 - 1710 kHz
Antennas : AC 120V ~ 60 Hz
 : 138 W
 : Internal antenna for FM
 : Built in ferrite bar for AM
 : 6 1/2" Dynamic type X 2
 : 2 1/2" Tweeter type X 2

Speaker : 138 W

Instruction for cleaning : 1. Unplug the unit from the wall outlet.
 : 2. Tie the AC cord before cleaning.
 : 3. Use the towel to clean the unit generally.

* DESIGN AND SPECIFICATIONS SUBJECT TO CHANGE WITHOUT NOTICE.

POWER SOURCE

Unwind the AC power cord at the back of the unit and connect it the plug (29) to the power outlet.

RADIO OPERATION

Turn the unit on by switching the **POWER ON / OFF** (2) to ON position.

Switch the function **TUNER / CD** (7) to TUNER.

Select the desired sound level by turning the **VOLUME CONTROL** (10) <31/32>.

It is commended to use the remote control to adjust the digital volume level.

Turn the wave band by switch **FM ST/FM/AM**. (8)

To turn the **TUNING** (9) to select desired broadcast station.

To turn the radio off by switching the **TUNER / CD** (7).

To turn the unit off by switching the **POWER ON / OFF** (2) to OFF position.

The neon light must be off for AM reception



- To enhance the sound quality, press BBE Mach3Bass (6) to activate the function.

CD OPERATION

After the power is switched on, select the **TUNER / CD** (7) for CD operation. The CD mechanism will automatically search for CD. If no disc is in the disc tray 1, 2 or 3, the LCD display will indicate "No Disc".

To insert the CD, press **OPEN/CLOSE** (25/<33>) to open the disc tray. Choose your selected disc tray by sliding the CD tray manually, then insert a CD onto the tray. Close the disc tray by pressing **OPEN / CLOSE** again. During tray open position while disc is playing, you could replace/remove CD on other two trays. **PROGRAM** (14/<40>) function will be disabled while the CD tray is in open position.

To start playing CD, press **DISC 1** (20/<38>), 2(21<37>) or 3(22<36>) to select your desired CD.

Press **PLAY / PAUSE** (12/<44>) to pause the current playing track. To continue playing of the track, simply press the same **PLAY / PAUSE** (12/<44>) again. The display on the unit will show the current playing disc and track number. In addition, the elapsed time of the track is also shown in the time display section.

Press the **FORWARD SKIP** (17/<39>) to go forward to the next track on the same disc.

Press the **BACKWARD SKIP** (13/<42>) to go backward to the previous track on the same disc.

Press the **VOLUME UP** (10/<31>) or **VOLUME DOWN** (10/<32>) to adjust the sound level.

Press **REPEAT** (16/<43>) in either play or stop mode to set the function. Press **REPEAT** (16/<43>) once to repeat track, press twice to repeat disc, press three times to repeat all 3 disc.

Press **INTRO** (23/<35>) to play the first 10 second of each track starting from Disc 1. When pressed during play mode, the next available track of the selected disc unit start to pick up the 10 second intro play accordingly, and carry forward to the rest of the track and Disc.

To stop the intro play, press again the **INTRO** to resume.

To change playing disc, simply select from **DISC 1** (20/<38>), **DISC 2** (21/<37>), or **DISC 3** (22/<36>).

The DISC indicator show on the display marks the disc status. To change or add different Disc during play/stop mode, press the **OPEN/CLOSE** (25/<33>). The drawer will then release and insert CD onto the selected tray and press **OPEN/CLOSE** again.

CD PROGRAM

To set the program, press the **PROGRAM** (14/<40>) in the stop mode. The display then shows P-01.

Make disc selection by pressing **DISC 1** (20/<38>), **DISC 2** (21/<37>), or **DISC 3** (22/<36>).

Make track selection by pressing the **FORWARD** (17/<39>) /**BACKWARD SKIP** (13/<42>).

Press **PROGRAM** (14/<40>) after each track selection to store the track number into the memory location. The display will show the number of programmed tracks such as P-02 and so on, up to P-32.

Repeat the above procedure to program the rest of tracks.

This program can register up to 32 tracks.

To change selection, press **PROGRAM** (14/<40>) until the selected program number shows on display, then enter the new disc and track number and press **PROGRAM** to store.

Press **PLAY / PAUSE** (12/<44>) to start the program.

Press **STOP** (15/<41>) to stop the program play; press again to clear the programmed tracks. The program will automatically be cleared once the unit is powered off.

To set random mode, press **RANDOM** (24/<34>) in a stop condition. **[RANDOM]** will shown on display accordingly. Then press **PLAY / PAUSE** (12/<44 >) to start the play. The sequence of the track playing will rearrange among discs in the tray. When press the **RANDOM** (24/<34 >) again will switch off the function and return to original mode.

TROUBLE SHOOTING GUIDE FOR JUKEBOX

1. Failure of Neon Light

Step 1 : Check the fuse for the neon light. If the fuse is burned, replace with the same type of fuse.

Step 2 : Check the neon transformer.

Step 3 : Check the power transformer

2. No Power

Step 1 : Check the AC plug. Reconnect if necessary

Step 2 : Make sure unit is turned on.

3. CD Failure

Step 1: Make sure all CDs are taken out before moving to other locations

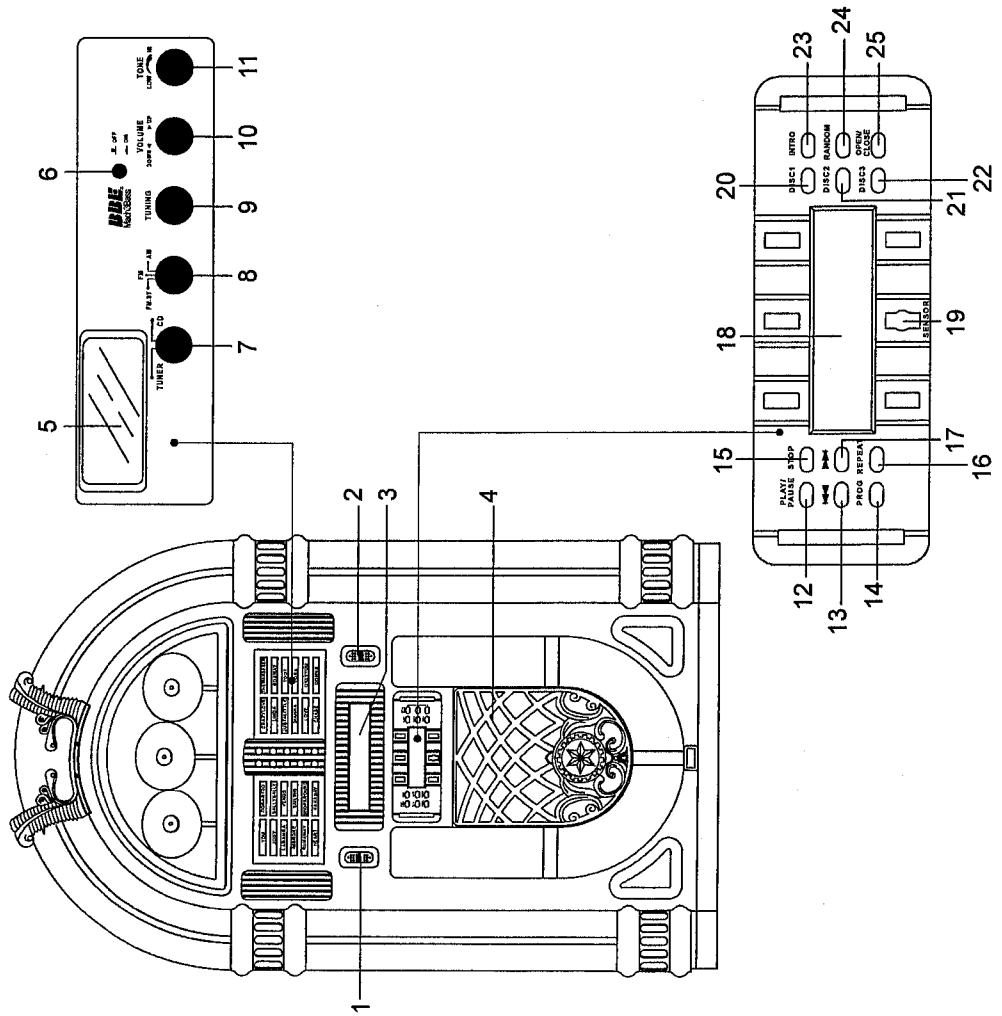
Step 2: Make sure all CDs are properly place onto the CD tray

Step 3: Make sure no scratches on CD

BBE
Mach3Bass

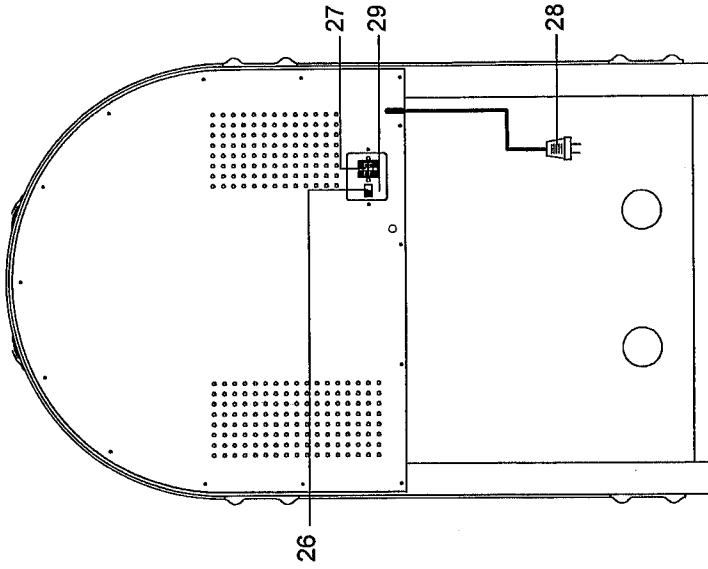
LOCATION OF PART

- 1. LIGHT POWER SWITCH
- 2. POWER BUTTON
- 3. CD DOOR
- 4. SPEAKER
- 5. DIAL DISPLAY
- 6. BBE ON/OFF
- 7. TUNER/CD FUNCTION SWITCH
- 8. FM/ST/FM/AM BAND SWITCH
- 9. TUNING
- 10. VOLUME CONTROL
- 11. TONE CONTROL
- 12. PLAY/PAUSE
- 13. BACKWARD SKIP
- 14. PROGRAM
- 15. STOP
- 16. REPEAT
- 17. FORWARD SKIP
- 18. LCD DISPLAY
- 19. SENSOR
- 20. DISC 1
- 21. DISC 2
- 22. DISC 3
- 23. INTRO
- 24. RANDOM
- 25. OPEN/CLOSE



BACK VIEW

- 26. EXTERNAL SPEAKER SWITCH
- 27. EXTERNAL SPEAKER JACKS
- 28. POWER CONNECTION PLUG
- 29. SPEED CONTROL



<REMOTE CONTROL>

- 30. DISC SKIP
- 31. VOLUME UP
- 32. VOLUME DOWN
- 33. OPEN/CLOSE
- 34. RANDOM
- 35. INTRO
- 36. DISC 3
- 37. DISC 2
- 38. DISC 1
- 39. FORWARD SKIP
- 40. PROGRAM
- 41. STOP
- 42. BACKWARD SKIP
- 43. REPEAT
- 44. PLAY/PAUSE

