



Buy it for looks. Buy it for life.®

There is more than 1 version of this model.
Page down to identify the version you have.

FAUCET DESCRIPTION

- Metal construction with chrome plated finish
- Inlet shanks will accept 3/8" ball nose connections

OPERATION

- Mini blade style handles with hot and cold color indicators

CARTRIDGE

- 1224 cartridge design

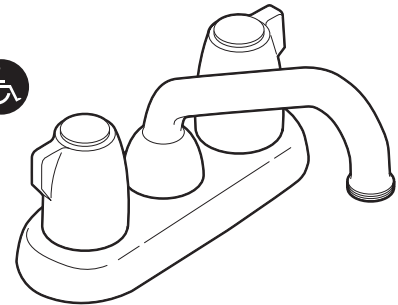
STANDARDS

- Designed and manufactured to comply with the requirements of: CSA B-125 and ASME A112.18.1M and all applicable specifications referenced therein

WARRANTY

- Lifetime limited warranty against leaks, drips and finish defects

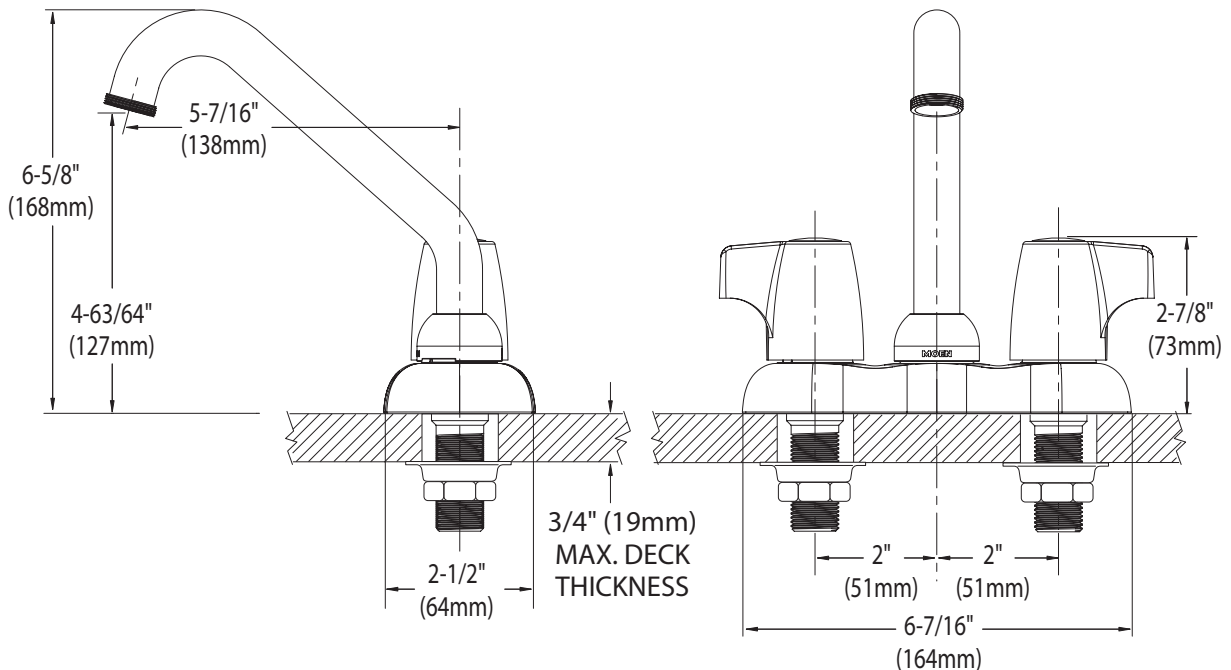
Specifications



**MOEN®
Two Handle Laundry Faucet**

Model: 74998

NOTE: Designed to be installed through 2 - 1" min. dia. holes 4" on center



CRITICAL DIMENSIONS

(DO NOT SCALE)



Buy it for looks. Buy it for life.®

Specifications

FAUCET DESCRIPTION

- Chrome plated metal construction

OPERATION

- Small lever style

CARTRIDGE

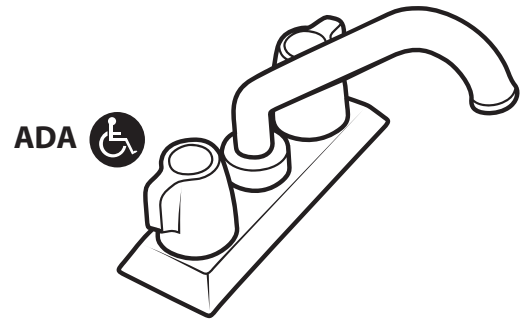
- 1224 cartridge design

STANDARDS

- Designed and manufactured to comply with the requirements of: CSA B-125 and ASME A112.18.1M and all applicable specifications referenced therein

WARRANTY

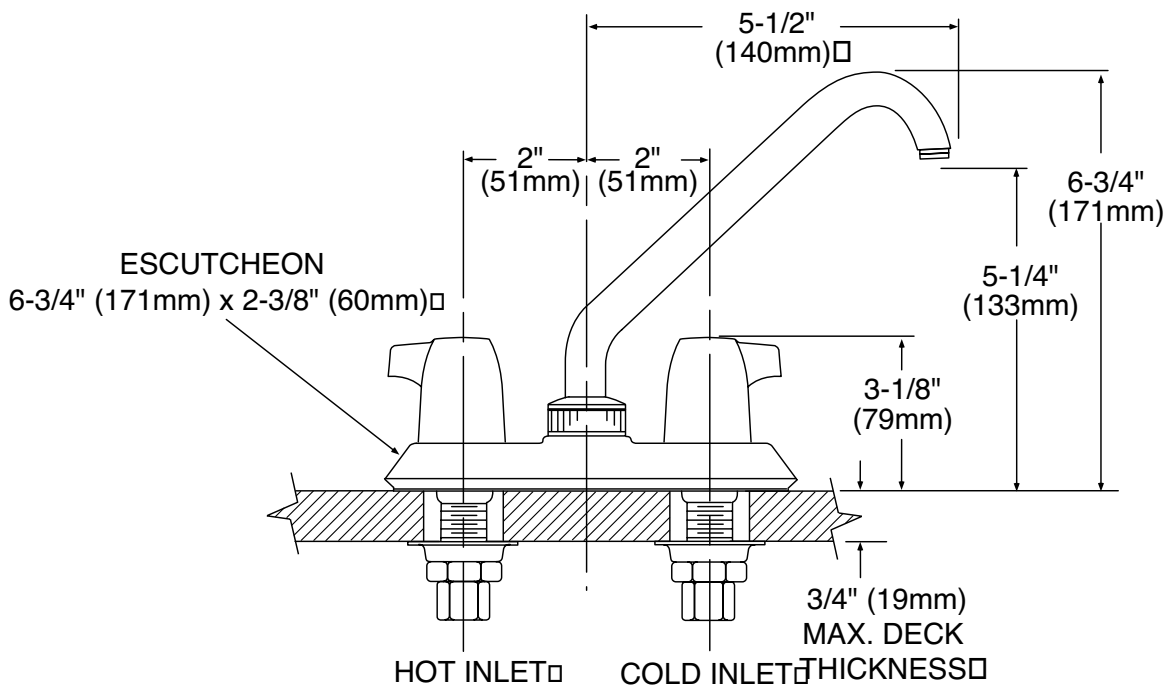
- Lifetime limited warranty against leaks, drips and finish defects



MOEN®
Two Handle Laundry Faucet

Model: 74998

NOTE: DESIGNED TO INSTALL
THRU 2 HOLES 1" (25mm) MIN. DIA.
AND 4" (102mm) ON CENTER



CRITICAL DIMENSIONS

(DO NOT SCALE)