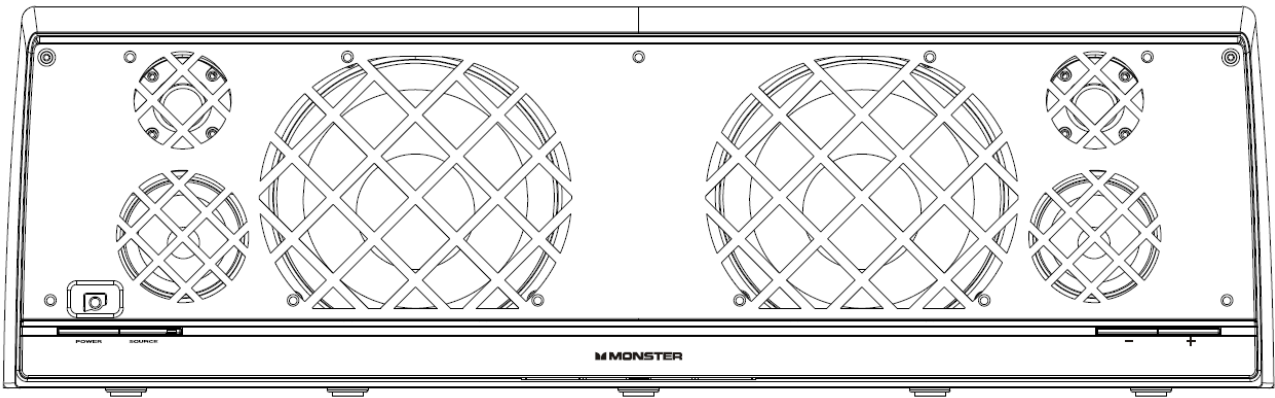


Bluetooth Speaker



KATANA

Instruction Manual

Safety Instructions

1. Read these instructions – All the safety and operating instructions should be read before this product is operated.
2. Keep these instructions – The safety and operating instructions should be retained for future reference.
3. Heed all warnings – All warnings on the appliance and in the operating instructions should be adhered to.
4. Follow all instructions – All operating and use instructions should be followed.
5. Do not use this apparatus near water – The appliance should not be used near water or moisture – for example, in a wet basement or near a swimming pool, and the like.
6. Clean only with dry cloth.
7. Do not block any ventilation openings. Install in accordance with the manufacture's instructions.
8. Do not install near any heat sources such as radiators, heat registers, stoves, or other apparatus (including amplifiers) that produce heat.
9. Do not defeat the safety purpose of the polarized or grounding plug. A polarized plug has two blades with one wider than the other. A grounding plug has two blades and a third grounding prong. The wide blade or the third prong is provided for your safety. If the provided plug does not fit into your outlet, consult an electrician for replacement of the obsolete outlet.
10. Protect the power cord from being walked on or pinched particularly at the plugs, convenience receptacles, and at the point where they exit from the apparatus.
11. Only use attachments/accessories specified by the manufacturer.
12. Unplug the apparatus during lightning storms or when unused for long periods of time.
13. Refer all servicing to qualified personnel. Servicing is required when the apparatus has been damaged in any way, such as power supply cord or plug is damaged, liquid has been spilled or objects have fallen into the apparatus has been exposed to rain or moisture, does not operate normally, or has been dropped.
14. **WARNING:** Please refer the information on exterior bottom enclosure for electrical and safety information before installing or operating the apparatus.
15. **WARNING:** To reduce the risk of fire or electric shock, do not expose this apparatus to rain or moisture. The apparatus shall not be exposed to dripping or splashing and that objects filled with liquids, such as vases, shall not be placed on apparatus.
16. **WARNING:** The battery (battery or batteries or battery pack) shall not be exposed to excessive heat such as sunshine, fire or the like.
17. **WARNING:** The mains plug is used as disconnect device, the disconnect device shall remain readily operable.



18. This equipment is a Class II or double insulated electrical appliance. It has been designed in such a way that it does not require a safety connection to electrical earth.



19. - This lightning flash with arrowhead symbol within an equilateral triangle is intended to alert the user to the presence of non-insulated "dangerous voltage" within the product's enclosure that may be of sufficient magnitude to constitute a risk of electric shock.
- Warning: To reduce the risk of electric shock, do not remove cover (or back) as there are no user-serviceable parts inside. Refer servicing to qualified personnel.
- The exclamation point within an equilateral triangle is intended to alert the user to the presence of important operating and maintenance instructions in the literature accompanying the appliance.



20. Correct Disposal of this product. This marking indicates that this product should not be disposed with other household wastes throughout the EU. To prevent possible harm to the environment or human health from uncontrolled waste disposal, recycle it responsibly to promote the sustainable reuse of material resources. To return your used device, please use the return and collection systems or contact the retailer where the product was purchased. They can take this product for environmental safe recycling.
21. Use of the apparatus in moderate climates.
22. **WARNING:** Please refer the information on exterior bottom enclosure for electrical and safety information before installing or operating the apparatus.

FCC Statemen (FCC ID:RJE-173099)

1. Warning: Changes or modifications to this unit not expressly approved by the party responsible for compliance could void the user's authority to operate the equipment.
2. NOTE: This equipment has been tested and found to comply with the limits for a Class B digital device, pursuant to Part 15 of the FCC Rules. These limits are designed to provide reasonable protection against harmful interference in a residential installation. This equipment generates, uses and can radiate radio frequency energy and, if not installed and used in accordance with the instructions, may cause harmful interference to radio communications.
3. However, there is no guarantee that interference will not occur in a particular installation. If this equipment does cause harmful interference to radio or television reception, which can be determined by turning the equipment off and on, the user is encouraged to try to correct the interference by one or more of the following measures:
 - Reorient or relocate the receiving antenna.
 - Increase the separation between the equipment and receiver.
 - Connect the equipment into an outlet on a circuit different from that to which the receiver is connected.
 - Consult the dealer or an experienced radio/TV technician for help.
4. This device complies with Part 15 of the FCC Rules. Operation is subject to the following two conditions:
 - (1) this device may not cause harmful interference, and
 - (2) this device must accept any interference received, including interference that may cause undesired operation.

IC Statemen (IC:7512A-173099)

This device complies with Industry Canada RSS-210. Operation is subject to the following two conditions:
(1) this device may not cause interference, and
(2) this device must accept any interference, including interference that may cause undesired operation of the device.

Le présent appareil est conforme aux CNR d'Industrie Canada applicables aux appareils radio RSS-210. L'exploitation est autorisée aux deux conditions suivantes :
(1) l'appareil ne doit pas produire de brouillage, et
(2) l'utilisateur de l'appareil doit accepter tout brouillage radioélectrique subi, même si le brouillage est susceptible d'en compromettre le fonctionnement.

The device meets the exemption from the routine evaluation limits in section 2.5 of RSS 102 and compliance with RSS-102 RF exposure, users can obtain Canadian information on RF exposure and compliance.

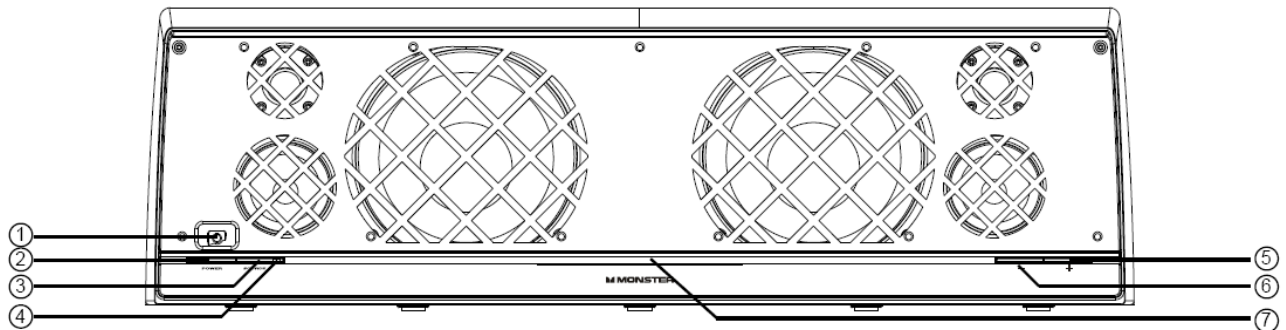
Le dispositif rencontre l'exemption des limites courantes d'évaluation dans la section 2.5 de RSS 102 et la conformité à l'exposition de RSS-102 rf, utilisateurs peut obtenir l'information canadienne sur l'exposition et la conformité de rf.

This transmitter must not be co-located or operating in conjunction with any other antenna or transmitter. This equipment should be installed and operated with a minimum distance of 20 centimeters between the radiator and your body.

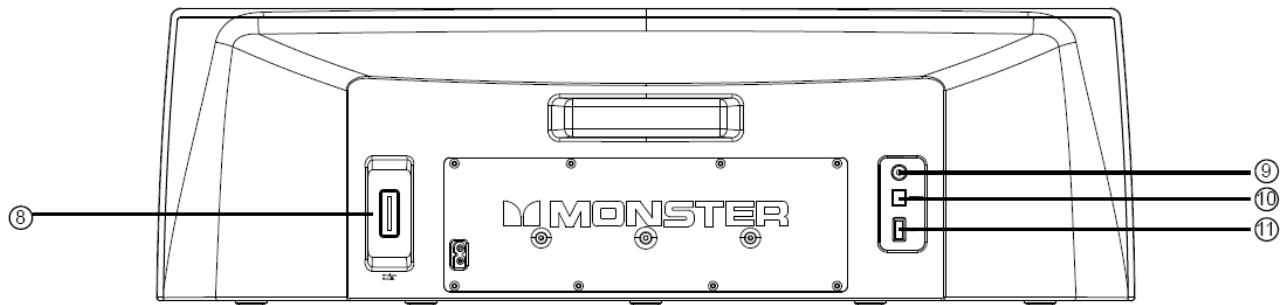
Cet émetteur ne doit pas être Co-placé ou ne fonctionnant en même temps qu'aucune autre antenne ou émetteur. Cet équipement devrait être installé et actionné avec une distance minimum de 20 centimètres entre le radiateur et votre corps.

Controls

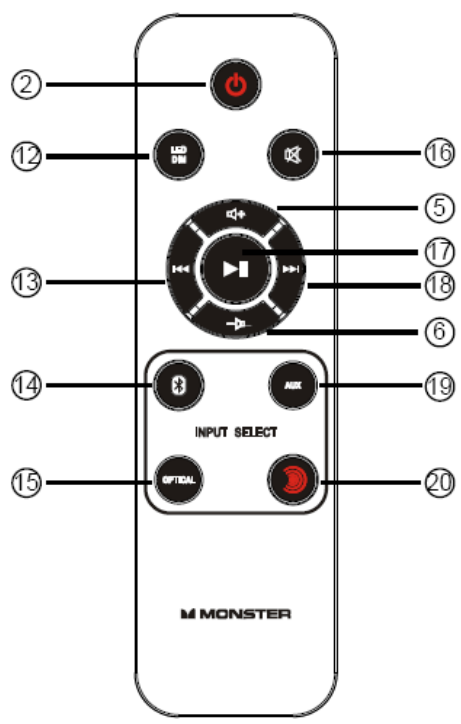
FRONT PANEL



REAR PANEL



REMOTE CONTROL



1. Remote sensor
2. Power button
3. Source/Pairing button
4. Source LED indicator
5. Volume up button
6. Volume down button
7. Light bar
8. StreamCast slot
9. AUX jack
10. Optical fiber jack
11. USB charge port
12. LED on/off button
13. Previous ◀◀ button
14. Bluetooth switch button
15. Optical in switch button
16. Mute button
17. Play/Pause ▶|| button
18. Next ▶▶ button
19. AUX switch button
20. StreamCast switch button

LED display status

Source button LED	LED States	Frequency	Duration
Default: Bluetooth	Blue	Continuous	
2 nd push: Aux In	Green	Continuous	
3 rd push: Optical In	Red	Continuous	
4 th push: StreamCast	Purple	Continuous	
Codec indicator (on Source button)			
Bluetooth on but not connected	Blink Blue	0.5s ON / 0.5s OFF	Continuous
Pairing Mode	Blink Blue-Red	0.5s RED / 0.5s BLUE	Continuous
Paired with no music	Blue	Continuous	
Playing with SBC codec	Blue	Continuous	
Playing with Apt-X codec	Blink Purple	0.5s ON / 0.5s OFF	3 seconds
Playing with AAC codec	Blink Green	0.5s ON / 0.5s OFF	3 seconds

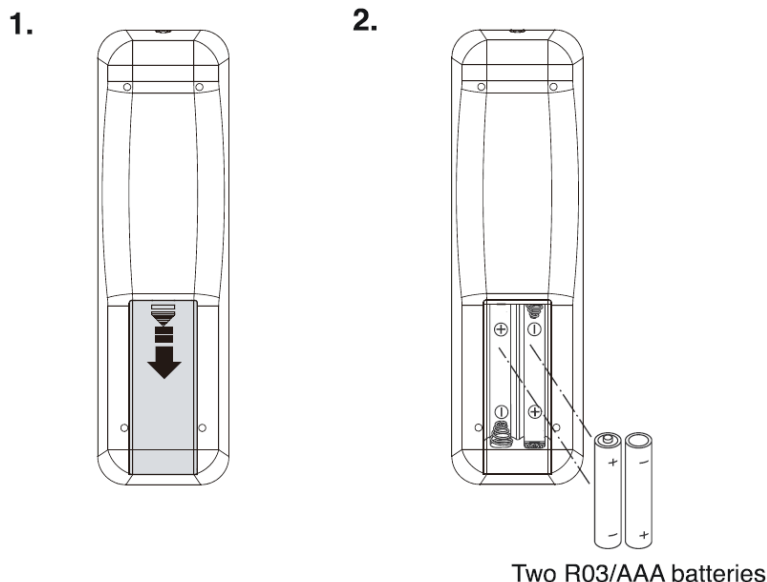
Center light bar LED	LED States	Frequency	Duration
Power on	Blue	Continuous	
Volume full up	Blink Blue	0.5s ON / 0.5s OFF	3 seconds
Volume full down	Blink Blue	0.5s ON / 0.5s OFF	3 seconds

Dimmer display control

The display brightness can be switched among high, low and off settings by pressing the **LED ON/OFF** button on the remote control.

Remote control batteries

1. Slide the battery cover in the direction of the arrow.
2. Fit the batteries observing polarity as shown with the type R03/AAA specified.



General Operation

Powering your player ON/OFF

To power the player ON:

1. Plug AC cord into AC jack, and the other end plug into a live AC wall outlet.
2. Press the **Power** button on the top panel or the remote control to switch the player to ON mode.

To power the player OFF:

1. Press the **Power** button again on the top panel or the remote control to switch the player to Standby mode.

Note: To save power, the player will switch to economic standby mode when the speaker is idle for 15 minutes.

Using Bluetooth Function: Pairing Your Device

Pairing your Bluetooth device with the player

Note:

- Before you connect a Bluetooth device to your speaker, familiarize yourself with the Bluetooth capabilities of the device.
- The effective operation range between your speaker and the paired device is approximately 10 meters (30feet) in open area.
- Keep your speaker away from other electronic devices that may cause interference.

1. Press and hold the **Source/Pairing** button on the top panel for 3 seconds to start pairing operation, the source LED will blink in blue and red alternately.
2. Activate *Bluetooth* on your device according to the device's user manual to link to the player. Typically, *Bluetooth* controls are found on the device's tools or settings menu. Turn on *Bluetooth* connectivity and make you device "discoverable".
3. Search the device name "**KATANA**" on your *Bluetooth* device listed and select it as your audio speaker.
4. Once paired with a device, the LED will stop flashing and glow steadily with blue light.
5. Pairing remains intact when the player or the *Bluetooth* device is powered off or is taken out of link range. The player will auto link with the last linked device when that device is in range.

Note: Connecting to a *Bluetooth* device may take up to 5 minutes. If the pairing is unsuccessfully repair your *Bluetooth* device with the player and repeat the above steps.

Pairing your other *Bluetooth* device

To restart the current connection from player for select the other *Bluetooth* device, press and hold the **Source/Pairing** button on the top panel for 3 seconds and repeat the above steps for pairing your other *Bluetooth*.

Playing *Bluetooth* Music

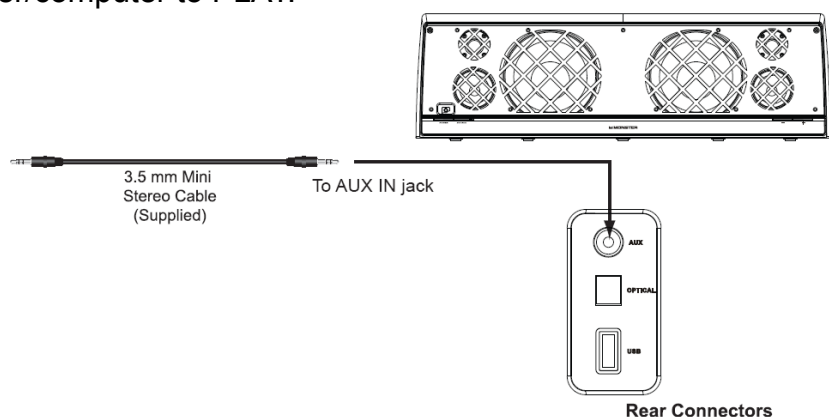
1. Once your device and the player are linked you can start to play *Bluetooth* music through the player.
2. Turn on the player and press the **Source/Pairing** button on the top panel or **Bluetooth switch** button on the remote control to select the Bluetooth mode. Blue LED will illuminate.
3. Press the **▶||** button on the remote control to play your Bluetooth-enable device. (Depending on the Bluetooth device you are using, you may need to manually go into media player mode on your device to make it work properly)
4. Press the **▶▶** button on the remote control to skip to play the next track.
5. Press the **◀◀** button on the remote control to skip back to the beginning of the track currently play. Press the button again immediately to skip to play the previous track.

Play from an external audio device

By AUX IN jack

1. Press the **Source/Pairing** button on the top panel or **AUX switch** button on the remote control to select the AUX mode. Green LED will illuminate.
2. Connect a sound sources with a Line or headphone analogue output to play through your player as below hookup diagram shown.
3. Set your personal audio player/computer to PLAY.

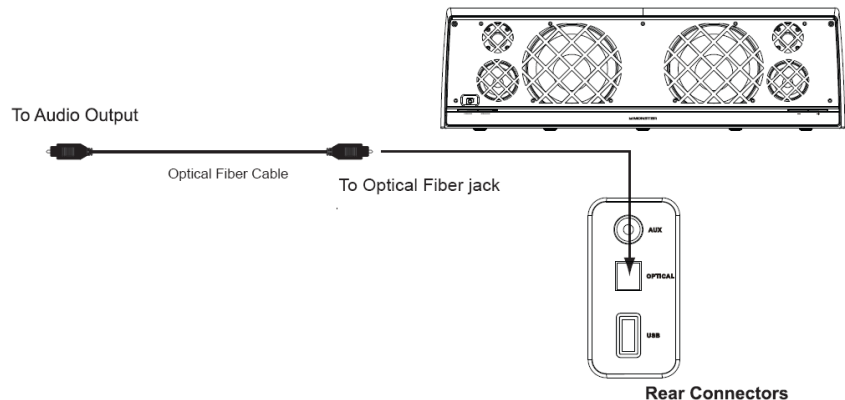
- iPhone/iPad/iPod models
- MP3 players
- CD walkman players
- Tape walkman players
- Personal computers or laptops
- TV



By Optical Fiber jack

1. Press the **Source/Pairing** button on the top panel or **Optical in switch** button on the remote control to select the optical in mode. Red LED will illuminate.
2. Remove the dustproof stopple from Optical Fiber jack.
3. Connect a sound sources with a optical fiber cable to play through your player as below hookup diagram shown.
4. Set your personal audio player/computer to PLAY.

- Blu-ray Players
- DVD Players
- CD Players
- MP3 Players
- Home Video Game Systems



Using StreamCast function

Connect a StreamCast module to your unit

1. Insert the StreamCast module with the light facing up on the slot of the rear panel.



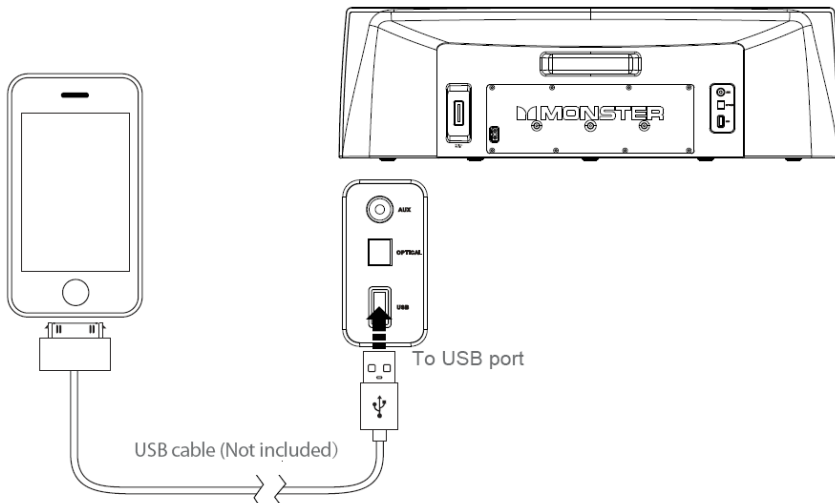
2. Press the **Source/Pairing** button on the top panel or **StreamCast switch** button on the remote control to select the streamcast mode. Purple LED will illuminate.

Pairing your device

1. Press and hold the **PAIRING** button on the module for 3 seconds, the module source LED will blink in blue and red alternately.
2. Activate *Bluetooth* on your device according to the device's user manual to link to the player. Typically, *Bluetooth* controls are found on the device's tools or settings menu. Turn on *Bluetooth* connectivity and make you device "discoverable".
3. Search the device name "**StreamCast**" on your *Bluetooth* device listed and select it as your audio speaker.
4. Once paired with a device, the LED will stop flashing and glow steadily with red light.
5. Set your device to play.

Charging your device with USB port

The USB port on the rear of the unit provides a 5V 2.1A power output via a USB type 'A'.



Note: The USB can only provide a maximum power of 5V 2.1A, do not exceed this voltage or current as it may cause damage to your unit or device.

Troubleshooting

There is no power to the unit

- Ensure that the Power Switch of wall socket is physically set to the ON position.
- Ensure that the AC plug is securely connected to the player and proper wall outlet.

Trouble pairing device/computer with the unit

- Make sure you have the latest firmware for your iPhone /iPad/iPod.
- Make sure your device is working properly. Check your device's manual for details on Bluetooth pairing and linking.
- Make sure your device supports the A2DP and AVRCP Bluetooth profiles before linking/pairing. The player defaults to the last linked device, so a new device may need to be linked by press and hold the Power/Paring/Source button for pairing other device.

Specification

Power supply	: AC 100-240V, 50/60Hz
Battery for remote control	: 3V ⁼⁼⁼ (CR2025)
Output power	: Appr. 350W max.
Standby mode consumption	: 0.45W
Bluetooth effective distance	: 10meters open air
Bluetooth version	: V2.1+EDR
AUX in jack	: 3.5mm