

APX™ TWO-WAY RADIOS

APX 4000 MODEL 3 USER GUIDE





ASTRO® APX™ 4000 Series Digital Portable Radios Quick Reference Card

Product Safety and RF Exposure Compliance

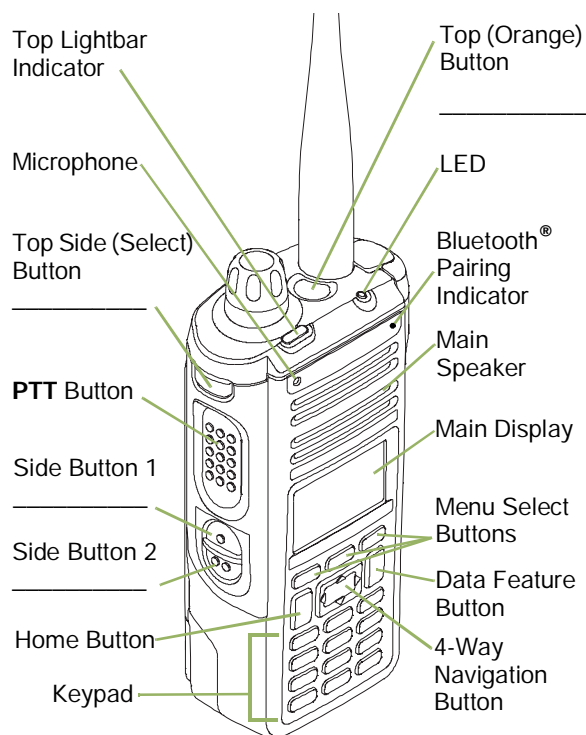
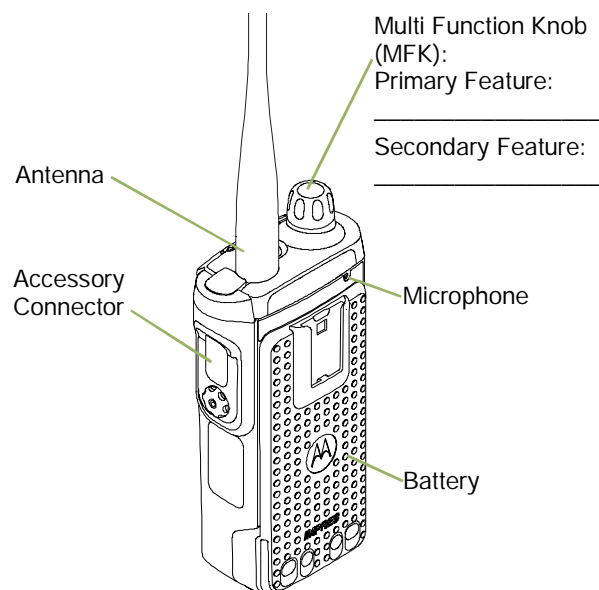


Before using this product, read the operating instructions for safe usage contained in the Product Safety and RF Exposure booklet enclosed with your radio.

ATTENTION!

This radio is restricted to occupational use only to satisfy FCC RF energy exposure requirements. Before using this product, read the RF energy awareness information and operating instructions in the Product Safety and RF Exposure booklet enclosed with your radio (Motorola Publication part number 6881095C98) to ensure compliance with RF energy exposure limits.

Radio Controls



Radio On/Off

- **On** – Press and hold the **MFK** until the display lights up.
- **Off** – Press and hold the **MFK** until you see Power off?, then press **Menu Select** button below Yes.

Zones and Channels

- **Zone** – **Zone scroll** to desired zone.
- **Channel** – **Channel scroll** to desired channel.

Receiving and Transmitting

- 1 Select zone/channel.
- 2 Listen for a transmission.
OR
Press and hold **Volume Set** button.
OR
Press **Monitor** button and listen for activity.
- 3 Adjust volume, if necessary.
- 4 Press the **PTT** button to transmit; release to receive.

Sending an Emergency Alarm

- 1 Press and hold the **Emergency** button*.
- 2 The display shows Emergency and the current zone/channel. You hear a short, medium-pitched tone, and the LED blinks momentary red.
- 3 When acknowledgment is received, you hear four beeps; alarm ends; and radio exits emergency.

** Default emergency button press timer is set to 1 second. This timer is programmable, see page 66 in the user guide for details.*

*To exit emergency at any time, press and hold the **Emergency** button.*



PMLN6070C



English

■ Sending an Emergency Call

- 1 Press the **Emergency** button.
- 2 Press and hold the **PTT** button. Speak clearly into the microphone.
- 3 Release the **PTT** button to end call.
- 4 Press and hold **Emergency** button to exit emergency.

*To exit emergency at any time, press and hold the **Emergency** button.*

■ Sending a Silent Emergency Call

- 1 Press the **Emergency** button.
- 2 The display does not change; the LED does not light up, and there is no tone.
- 3 Silent emergency continues until you:
Press and hold the **Emergency** button to exit emergency state.
OR
Press and release the **PTT** button to exit the Silent Emergency Alarm mode and enter regular dispatch or Emergency Call mode.

*To exit emergency at any time, press and hold the **Emergency** button.*

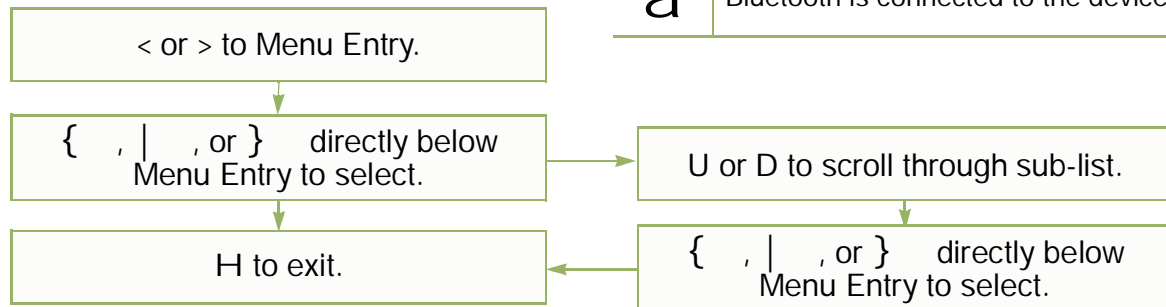
■ Display Status Icons

u	Receiving a call or data.
t	Transmitting a call or data.

8	Blinks when the battery is low.
V	The more stripes, the stronger the signal strength for the current site (trunking only).
O	Direct radio to radio communication or connected through a repeater. On = Direct Off = Repeater
M	This channel is being monitored.
H _{OR} .	L = Radio is set at Low power. H = Radio is set at High power.
i	Scanning a scan list.
j	Blinking dot = Detects activity on the Priority-One Channel during scan. Steady dot = Detects activity on the Priority-Two Channel during scan.

k	The vote scan feature is enabled.
m	On = Secure operation. Off = Clear operation. Blinking = Receiving an encrypted voice call.
l	On = AES Secure operation. Off = Clear operation. Blinking = Receiving an encrypted voice call.
G	On = Location feature enabled, and location signal available. Off = Location feature disabled. Blinking = Location feature enabled, but location signal unavailable.
n	On = User is currently associated with the radio. Off = User is currently not associated with the radio. Blinking = Device registration or user registration with the server failed due to an invalid username or pin.
o	Data activity is present.
b	Bluetooth is ready.
a	Bluetooth is connected to the device.

Menu Navigation



Declaration of Conformity

This declaration is applicable to your radio **only** if your radio is labeled with the FCC logo shown below.

DECLARATION OF CONFORMITY

Per FCC CFR 47 Part 2 Section 2.1077(a)



Responsible Party

Name: Motorola Solutions, Inc.

Address: 1303, East Algonquin Road, Schaumburg, Illinois 60196, U.S.A.

Phone Number: 1-800-927-2744

Hereby declares that the product:

Model Name: **APX 4000**

conforms to the following regulations:

FCC Part 15, subpart B, section 15.107(a), 15.107(d) and section 15.109(a)

Class B Digital Device

As a personal computer peripheral, this device complies with Part 15 of the FCC Rules. Operation is subject to the following two conditions:

1. This device may not cause harmful interference, and
2. This device must accept any interference received, including interference that may cause undesired operation.

Note: This equipment has been tested and found to comply with the limits for a Class B digital device, pursuant to part 15 of the FCC Rules. These limits are designed to provide reasonable protection against harmful interference in a residential installation. This equipment generates, uses and can radiate radio frequency energy and, if not installed and used in accordance with the instructions, may cause harmful interference to radio communications. However, there is no guarantee that interference will not occur in a particular installation.

If this equipment does cause harmful interference to radio or television reception, which can be determined by turning the equipment off and on, the user is encouraged to try to correct the interference by one or more of the following measures:

- Reorient or relocate the receiving antenna.
- Increase the separation between the equipment and receiver.
- Connect the equipment into an outlet on a circuit different from that to which the receiver is connected.
- Consult the dealer or an experienced radio/TV technician for help.

Contents

This User Guide contains all the information you need to use the APX™ 4000 Series Digital Portable Radios.

Declaration of Conformityi

Important Safety Informationix

Product Safety and RF Exposure Complianceix

Software Versionix

Notice to Users (FCC and Industry Canada)ix

Informations importantes sur la sécurité x

Sécurité du produit et respect des lignes directrices concernant l'exposition à l'énergie RFx

Version du logicielx

Avis aux utilisateurs (FCC et Industrie Canada)x

Computer Software Copyrightsxi

Documentation Copyrightsxi

Disclaimer xi

Getting Started1

How to Use This Guide 1

Notations Used in This Manual 1

Additional Performance Enhancement 2

Dynamic System Resilience (DSR) 2

CrossTalk Prevention 3

Encrypted Integrated Data (EID) 3

SecureNet 3

What Your Dealer/System Administrator Can Tell You 3

Preparing Your Radio for Use4

Charging the Battery 4

Battery Charger 4

Attaching the Battery 5

Attaching the Antenna 6

Attaching the Accessory Connector Cover 6

Attaching the Belt Clip 7

Turning On the Radio 7

Adjusting the Volume 9

Identifying Radio Controls9

Radio Parts and Controls 10

Programmable Features 11

 Assignable Radio Functions 11

 Assignable Settings or Utility Functions 13

Accessing the Preprogrammed Functions 14

 Using the Menu Select Buttons 14

 Using the Navigation Buttons 14

 Home Button 14

 Data Feature Button 14

 4-Way Navigation Button 14

 Multi Function Knob (MFK) 15

Using the Keypad 16

 Keypad Characters – Uppercase Mode 16

 Keypad Characters – Lowercase Mode 17

 Keypad Characters – Numeric Mode 18

 Keypad Characters – Hexadecimal Mode 19

Push-To-Talk (PTT) Button 20

Identifying Status Indicators20

Status Icons 21

Text Messaging Service (TMS) Icons 23

 Status Icons 23

 TMS Menu Options 25

Call Type Icons 25

Top Lightbar and LED Indicators 26

 LED Indications 27

 Top Lightbar Indications 27

Intelligent Lighting Indicators 28

Alert Tones 29

Phone Call Display and Alert Prompts 33

General Radio Operation 34

Selecting a Zone 34

Selecting a Radio Channel 35

Using Channel Search Button 36

Using Mode Select Feature 37

 Saving a Zone and Channel to a Softkey 38

 Saving a Zone and Channel to a Keypad Button . . 38

Receiving and Responding to a Radio Call 39

 Receiving and Responding to a Talkgroup Call . . 39

 Receiving and Responding to a Private Call
 (Trunking Only) 40

 Receiving and Responding to a Telephone Call
 (Trunking Only) 41

Making a Radio Call 41

 Making a Talkgroup Call 41

 Making a Private Call (Trunking Only) 42

Making an Enhanced Private Call (Trunking Only)	43	Removing a Contact from a Call List	56
Making a Telephone Call (Trunking Only)	44	Editing a Contact in a Call List	56
Repeater or Direct Operation	45	Editing an Entry Alias	56
Monitoring Features	45	Editing as Entry ID	57
Monitoring a Channel	46	Editing a Call Type	58
Conventional Mode Operation	46	Viewing Details of a Contact	58
Advanced Features	47	Scan Lists	59
Advanced Call Features	47	Viewing a Scan List	59
Receiving and Making a Selective Call (ASTRO Conventional Only)	47	Editing the Scan List	59
Receiving a Selective Call	47	Changing the Scan List Status	60
Making a Selective Call	48	Viewing and Changing the Priority Status	61
Using the Talkgroup Call Feature (Conventional Operation Only)	48	Scan	61
Selecting a Talkgroup	48	Turning Scan On or Off	61
Sending a Status Call	49	Making a Dynamic Priority Change (Conventional Scan Only)	62
Using the Dynamic Regrouping Feature (Trunking Only)	50	Deleting a Nuisance Channel	62
Requesting a Reprogram (Trunking Only)	50	Restoring a Nuisance Channel	63
Classifying Regrouped Radios	51	Call Alert Paging	63
Contacts	51	Receiving a Call Alert Page	63
Making a Private Call from Contacts	52	Sending a Call Alert Page	64
Adding a New Contact Entry	53	Emergency Operation	65
Deleting a Contact Entry	55	Sending an Emergency Alarm	66
Adding a Contact to a Call List	55	Sending an Emergency Call (Trunking Only)	66
		Sending an Emergency Alarm with Emergency Call	67
		Sending a Silent Emergency Alarm	67

- Using the Emergency Keep-Alive Feature 68
- Man Down 68
 - Pre-Alert Timer 69
 - Post-Alert Timer 70
 - Alerting User When Man Down Feature is Triggered 70
 - Triggering Emergency 70
 - Exiting Man Down Feature 71
 - Re-Initiating Man Down 71
 - Testing the Man Down Feature 72
- Automatic Registration Service (ARS) 73
 - Selecting or Changing the ARS Mode 73
 - Accessing the User Login Feature 74
 - Logging In as a User 74
 - Logging Out 75
- Text Messaging Service (TMS) 76
 - Accessing the TMS Features 76
 - Composing and Sending a New Text Message ... 77
 - Sending a Quick Text Message 78
 - Using the Priority Status and Request Reply Features 80
 - Appending a Priority Status to a Text Message ... 80
 - Removing a Priority Status from a Text Message .80
 - Appending a Request Reply to a Text Message .. 80
 - Removing a Request Reply from a Text Message 81
 - Appending a Priority Status and a Reply Request to a Text Message81
- Managing Text Messages82
 - Receiving a Text Message82
 - Viewing a Text Message from the Inbox82
 - Replying to a Received Text Message83
 - Accessing the Drafts Folder84
- Managing Sent Text Messages84
 - Viewing a Sent Text Message84
 - Sending a Sent Text Message85
 - Deleting a Text Message86
 - Deleting All Text Messages86
- Secure Operations 87
 - Selecting Secure Transmissions87
 - Selecting Clear Transmissions87
 - Managing Encryption87
 - Loading an Encryption Key87
 - Using the Multikey Feature88
 - Selecting an Encryption Key88
 - Selecting a Keypset89
 - Erasing the Selected Encryption Keys89
 - Requesting an Over-the-Air Rekey (ASTRO Conventional Only)90
 - MDC Over-the-Air Rekeying (OTAR) Page91
 - Hear Clear91
- Security 92

Radio Lock	92	Changing the Current Site	103
Unlocking Your Radio	92	Mission Critical Wireless	
Changing Your Password	92	- Bluetooth® -	104
Enabling or Disabling the Radio Lock Feature (Secure Radios Only)	93	Turning the Bluetooth On	104
The Global Positioning System (GPS)	93	Turning the Bluetooth Off	105
Understanding the GPS Feature	93	Re-Pair Timer	105
Enhancing GPS Performance	94	Bluetooth Drop Timer	106
The Outdoor Location Feature (Using GPS)	94	Pairing Bluetooth Device with the Radio	107
Accessing the Outdoor Location Feature	95	Indicating Bluetooth Connection is Lost	108
Saving a Waypoint	96	Turning On the Bluetooth Audio (Routing the Audio from the Radio to the Headset)	109
Viewing a Saved Waypoint	97	Turning Off the Bluetooth Audio (Routing the Audio from the Headset to the Radio)	109
Editing the Alias of a Waypoint	98	Adjusting the Volume of the Radio from Bluetooth Audio Device	110
Editing the Coordinates of a Waypoint	99	Viewing and Clearing the Bluetooth Device Information	110
Deleting a Single Saved Waypoint	100	Clearing All Bluetooth Devices Information	111
Deleting All Saved Waypoints	100	Editing the Bluetooth Friendly Name	111
Measuring the Distance and Bearing from a Saved Waypoint	101	Utilities	112
Using the Location Feature While in Emergency Mode	101	Viewing the Recent Calls	112
Trunking System Controls	102	Selecting the Power Level	113
Using the Failsoft System	102	Selecting a Radio Profile	113
Going Out of Range	102	Enabling and Disabling the Radio Alias	114
Using the Site Trunking Feature	102	Selecting the Audio Speaker	114
Locking and Unlocking a Site	103	Controlling the Display Backlight	115
Viewing and Changing a Site	103		
Viewing the Current Site	103		

Locking and Unlocking the Keypad and Controls	116
Turning Keypad Tones On or Off	116
Turning Voice Mute On or Off	117
Using the Time-Out Timer	117
Setting the Time and Date	118
Editing the Time and Date	118
Using the Conventional Squelch Operation	
Features	119
Analog Options	119
Digital Options	119
Using the PL Defeat Feature	120
Using the Digital PTT ID Feature	120
Using the Smart PTT Feature	
(Conventional Only)	120
IMPRES™ Battery Annunciator	121
Accessing the Battery Info screen	121
Procedure:	121
Accessing the General Radio Information	122
Accessing the Radio Information	122
Viewing the IP Information	123
Viewing the Control Assignments	124
Editing the Soft ID	124
Voice Announcement	125
Helpful Tips	127
Acoustic Safety	127
Caring for Your Radio	128
Cleaning Your Radio	129
Handling Your Radio	130
Servicing Your Radio	130
Taking Care of the Battery	131
Checking the Battery Charge Status	131
LED and Sounds	131
Fuel Gauge Icon	131
Battery Recycling and Disposal	132
Accessories	133
Highlights for the Accessories	133
Appendix: Maritime Radio Use in the VHF	
Frequency Range	134
Special Channel Assignments	134
Emergency Channel	134
Non-Commercial Call Channel	134
Operating Frequency Requirements	135
Glossary	137
Commercial Warranty	142

Important Safety Information

Product Safety and RF Exposure Compliance



Caution

Before using this product, read the operating instructions for safe usage contained in the Product Safety and RF Exposure booklet enclosed with your radio.

ATTENTION!

This radio is restricted to occupational use only to satisfy FCC RF energy exposure requirements.

Before using this product, read the RF energy awareness information and operating instructions in the Product Safety and RF Exposure booklet enclosed with your radio (Motorola Publication part number 6881095C98) to ensure compliance with RF energy exposure limits.

For a list of Motorola-approved antennas, batteries, and other accessories, visit the following website:

<http://www.motorolasolutions.com/APX>

Software Version

All the features described in the following sections are supported by the radio's software version **R07.00.00** or later.

See ***Accessing the Radio Information*** on page 122 to determine your radio's software version.

Check with your dealer or system administrator for more details of all the features supported.

Notice to Users (FCC and Industry Canada)

This device complies with Part 15 of the FCC rules and RSS 210 of the Industry Canada rules per the conditions listed below:

- 1 This device may not cause harmful interference.
- 2 This device must accept any interference received, including interference that may cause undesired operation.
- 3 Changes or modifications made to this device, not expressly approved by Motorola, could void the user's authority to operate this equipment.

Informations importantes sur la sécurité

Sécurité du produit et respect des lignes directrices concernant l'exposition à l'énergie RF



Mise en garde

Avant d'utiliser ce produit, lisez les directives d'utilisation sécuritaire présentées dans le livret Sécurité du produit et exposition à l'énergie RF accompagnant votre radio.

ATTENTION!

Cette radio est réservée à un usage professionnel seulement pour satisfaire les normes d'exposition à l'énergie RF de la FCC. Avant d'utiliser ce produit, lisez l'information sur la sensibilisation à l'énergie RF et les directives d'utilisation présentées dans le livret Sécurité du produit et exposition à l'énergie RF accompagnant votre radio (publication de Motorola, numéro d'article 6881095C98) pour assurer le respect des limites d'exposition à l'énergie RF.

Pour obtenir une liste d'antennes et d'autres accessoires approuvés par Motorola, consultez le site Web :

<http://www.motorolasolutions.com/APX>

Version du logiciel

Toutes les fonctionnalités décrites dans les sections suivantes sont prises en charge par la version du logiciel **R07.00.00** ou ultérieure de la radio.

Vérifiez auprès de votre détaillant ou de l'administrateur de système pour obtenir des renseignements toutes les fonctionnalités prises en charge.

Avis aux utilisateurs (FCC et Industrie Canada)

Cet appareil est conforme à la Partie 15 des règlements de la FCC et RSS 210 du règlement d'Industrie Canada selon les conditions énumérées ci-dessous:

- 1 Ce dispositif ne doit pas causer d'interférences nuisibles.
- 2 Cet appareil doit accepter toute interférence reçue, y compris les interférences qui peuvent perturber le fonctionnement.
- 3 Les changements ou les modifications apportées à ce dispositif, non expressément approuvées par Motorola, peuvent annuler le droit de l'utilisateur à utiliser cet équipement.

Computer Software Copyrights

The Motorola products described in this manual may include copyrighted Motorola computer programs stored in semiconductor memories or other media. Laws in the United States and other countries preserve for Motorola certain exclusive rights for copyrighted computer programs, including, but not limited to, the exclusive right to copy or reproduce in any form the copyrighted computer program. Accordingly, any copyrighted Motorola computer programs contained in the Motorola products described in this manual may not be copied, reproduced, modified, reverse-engineered, or distributed in any manner without the express written permission of Motorola. Furthermore, the purchase of Motorola products shall not be deemed to grant either directly or by implication, estoppel, or otherwise, any license under the copyrights, patents or patent applications of Motorola, except for the normal non-exclusive license to use that arises by operation of law in the sale of a product.

Documentation Copyrights

No duplication or distribution of this document or any portion thereof shall take place without the express written permission of Motorola. No part of this manual may be reproduced, distributed, or transmitted in any form or by any means, electronic or mechanical, for any purpose without the express written permission of Motorola.

Disclaimer

The information in this document is carefully examined, and is believed to be entirely reliable. However, no responsibility is assumed for inaccuracies. Furthermore, Motorola reserves the right to make changes to any products herein to improve readability, function, or design. Motorola does not assume any liability arising out of the applications or use of any product or circuit described herein; nor does it cover any license under its patent rights, nor the rights of others.

Notes

Disclaimer

xii

English

Getting Started

Take a moment to review the following:

How to Use This Guide	page 1
Notations Used in This Manual	page 1
Additional Performance Enhancement	page 2
What Your Dealer/System Administrator Can Tell You.	page 3

How to Use This Guide

This User Guide covers the basic operation of the APX™ 4000 Portables.

However, your dealer or system administrator may have customized your radio for your specific needs. Check with your dealer or system administrator for more information.

Notations Used in This Manual

Throughout the text in this publication, you will notice the use of **WARNING**, **Caution**, and **Note**. These notations are used to emphasize that safety hazards exist, and the care that must be taken or observed.



WARNING

An operational procedure, practice, or condition, etc., which may result in injury or death if not carefully observed.



Caution

An operational procedure, practice, or condition, etc., which may result in damage to the equipment if not carefully observed.

Note:

An operational procedure, practice, or condition, etc., which is essential to emphasize.

The following special notations identify certain items:

Example	Description
Home button or H	Buttons and keys are shown in bold print or as an icon.
Phone	Menu entries are shown similar to the way they appear on the radio's display.
>	This means "Press the right side of the 4-way Navigation button".

■ Additional Performance Enhancement

The following are some of the latest creations designed to enhance the security, quality and efficiency of APX radios.

Dynamic System Resilience (DSR)

DSR ensures the radio system is seamlessly switched to a backup master site dynamically in case of system failure. DSR also provides additional indication e.g. failure detection, fault recovery, and redundancy within the system to address to the user in need. Mechanisms related to the Integrated Voice and Data (IV & D) or data centric are all supported by DSR.

CrossTalk Prevention

This feature prevents crosstalk scenario from happening, especially when a wideband antenna is used. This feature allows the adjustment of the Trident Transmitting SSI clock rate in the radio to be varied from the Receiving Frequency. This subsequently reduced the possibilities of radio frequency interfering spurs and prevents the issues of crosstalk.

Encrypted Integrated Data (EID)

EID provides security encryption and authentication of IV & D data bearer service communication between the radio and the Customer Enterprise Network.

SecureNet

SecureNet allows user to perform secured communications on an Analog or Motorola Data Communication (MDC) channel. The MDC OTAR feature will allow users to perform OTAR activities on an MDC channel.

■ What Your Dealer/System Administrator Can Tell You

Check with your dealer or system administrator, if the radio is to be operated in extremely temperatures (less than $-30\text{ }^{\circ}\text{C}$ or more than $+60\text{ }^{\circ}\text{C}$), for the correct radio settings to ensure proper top and front display operation.

You can also consult your dealer or system administrator about the following:

- Is your radio preprogrammed with any preset conventional channels?
- Which buttons have been preprogrammed to access other features?
- What optional accessories may suit your needs?

Preparing Your Radio for Use

Assemble your radio by following these steps:

Charging the Battery	page 4
Battery Charger	page 4
Attaching the Battery	page 5
Attaching the Antenna	page 6
Attaching the Accessory Connector Cover	page 6
Attaching the Belt Clip	page 7
Turning On the Radio	page 7
Adjusting the Volume	page 9

Charging the Battery



To avoid a possible explosion:

- **DO NOT** replace the battery in any area labeled “hazardous atmosphere”.
- **DO NOT** discard batteries in a fire.

The Motorola-approved battery shipped with your radio is uncharged. Prior to using a new battery, charge it for a minimum of 16 hours to ensure optimum capacity and performance.

For a list of Motorola-authorized batteries available for use with your radio, see **Accessories** on page 133.

Note: When charging a battery attached to a radio, turn the radio off to ensure a full charge.

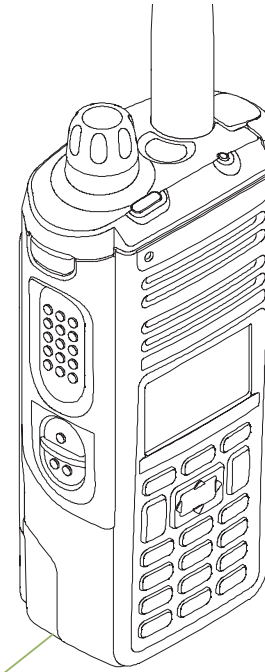
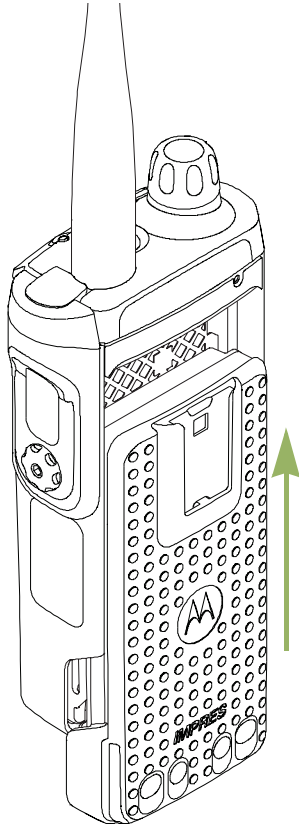
Battery Charger

To charge the battery, place the battery, with or without the radio, in a Motorola-approved charger. The charger’s LED indicates the charging progress; see your charger’s user guide.

For a list of chargers, see **Accessories** on page 133.

■ Attaching the Battery

With the radio turned off, slide the battery into the radio's frame until the bottom latch clicks into place.



Battery Latch is at the bottom of the battery.

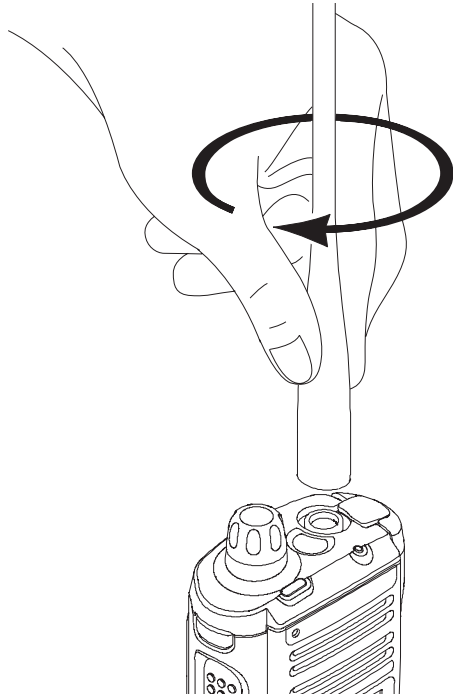
To remove the battery, turn the radio off. Lift up the latch then slide the battery down to remove the battery from the radio.

Note: If your radio is preprogrammed with volatile-key retention, the encryption keys are retained for approximately 30 seconds after battery removal. Check with your dealer or system administrator for more information.

You can view the status of the IMPRES™ battery if the radio is using an IMPRES™ battery. See **IMPRES™ Battery Annunciator** on page 121 for more information.

■ Attaching the Antenna

With the radio turned off, set the antenna in its receptacle and turn clockwise to attach it to the radio.



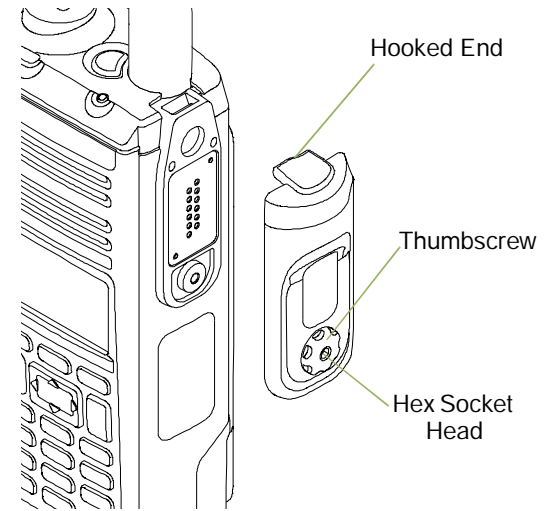
To remove the antenna, turn the antenna counterclockwise. Make sure you turn off the radio first.

■ Attaching the Accessory Connector Cover

The accessory connector is located on the antenna side of the radio. It is used to connect accessories to the radio.

Note: To prevent damage to the connector, shield it with the connector cover when not in use.

Insert the hooked end of the cover into the slot above the connector. Press downward on the cover's top to seat it in the slot. Once in place, tighten by rotating the thumbscrew clockwise by hand.

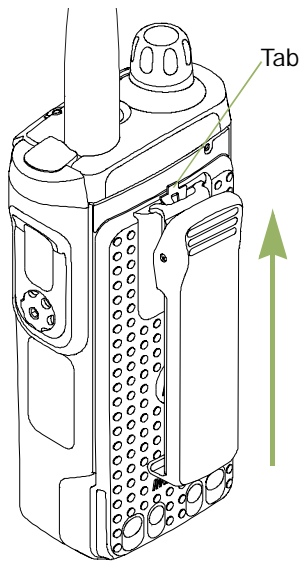
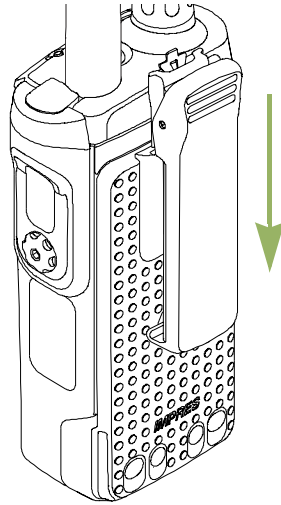


To remove the accessory connector cover, rotate the thumbscrew counterclockwise until it disengages from the radio. If the thumbscrew is too tight, use an Allen wrench to loosen it first.

Rotate and lift the connector cover to disengage it from the radio.

■ Attaching the Belt Clip

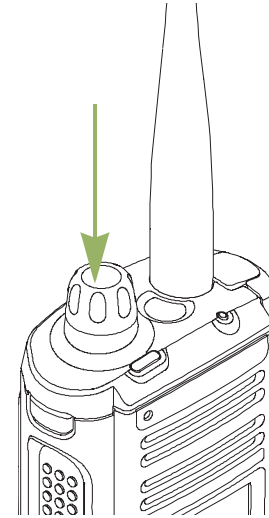
Align the grooves of the belt clip with those of the radio and press upward until you hear a click.



To remove the clip, use a flat-bladed object to press the belt clip tab away from the radio. Then, slide the clip downward and away from the radio.

■ Turning On the Radio

Press the **Control Knob** until the radio display lights on, then release the knob.



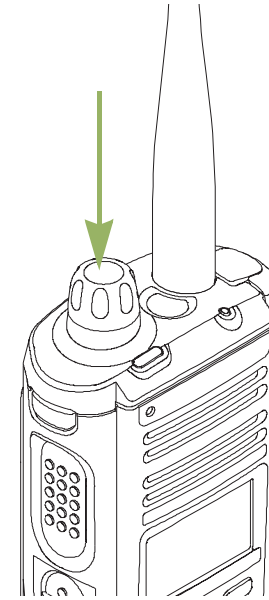
If the power-up test is successful, you see the Home screen.

Note: If the power-up test is unsuccessful, you see Error XX/YY (XX/YY is an alphanumeric code).

Turn off the radio, check the battery, and turn the radio back on. If the radio fails the power-up test again, record the Error XX/YY code and contact your dealer.

Note: If the power-up test is successful, but you see Hardware board absent or Hw Board Mismatch. Then, send the radio to the qualified technician to fix this error.

If the power-up test is successful, but you see, Hw Board Failed or Man-Down Hw Error, send the radio to the qualified technician to fix this error.

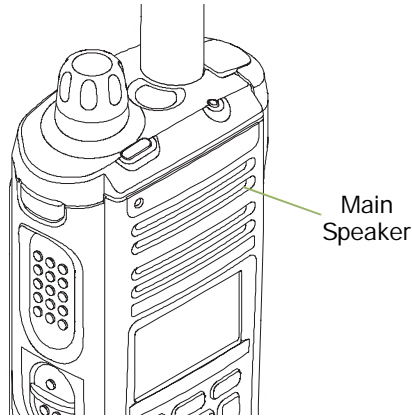


*To turn off the radio, press and hold the Control Knob until the radio display shows **Power off?**, press the **Menu Select** button below **Yes** to power off.*

■ Adjusting the Volume

To increase the volume, turn the **MFK** clockwise. The display shows volume bars and volume level when you change the volume.

Note: If **Volume Change** is secondary feature of the knob, see **Multi Function Knob (MFK)** on page 15 to toggle the function of the knob.



To decrease the volume, turn this MFK counterclockwise.

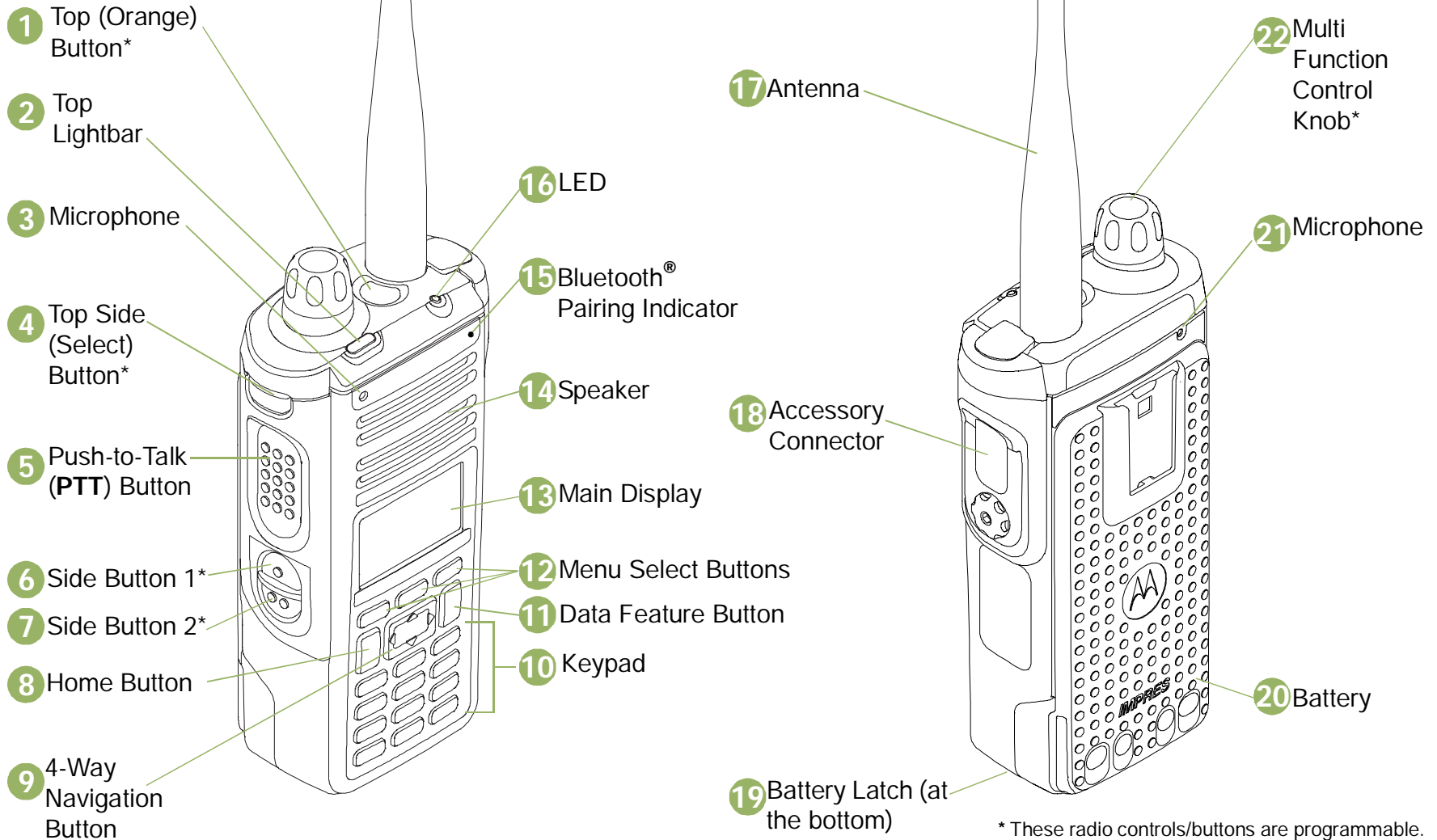
Note: Ensure that the main speaker is pointed towards you for increased loudness and intelligibility, especially in areas with loud background noises.

Identifying Radio Controls

Take a moment to review the following:

Radio Parts and Controls	page 10
Programmable Features	page 11
Assignable Radio Functions	page 11
Assignable Settings or Utility Functions	page 13
Accessing the Preprogrammed Functions	page 14
Using the Menu Select Buttons	page 14
Using the Navigation Buttons	page 14
Using the Keypad	page 16
Keypad Characters – Uppercase Mode	page 16
Keypad Characters – Lowercase Mode	page 17
Keypad Characters – Numeric Mode	page 18
Keypad Characters – Hexadecimal Mode	page 19
Push-To-Talk (PTT) Button	page 20

Radio Parts and Controls



* These radio controls/buttons are programmable.

■ Programmable Features

Any reference in this manual to a control that is “preprogrammed” means that the control must be programmed by a dealer or qualified radio technician using the radio’s programming software, in order to assign a feature to that control.

The programmable buttons can be programmed as shortcuts to radio functions or preset channels/groups depending on the duration of a button press:

- **Press** – Pressing and releasing rapidly.
- **Long press** – Pressing and holding for the preprogrammed duration (between 0.25 seconds and 3.75 seconds).
- **Hold down** – Keeping the button pressed.

Assignable Radio Functions

Bluetooth On/Off – Allows you to turn on/off the Bluetooth.

Bluetooth Configuration – Allows you to access to the Bluetooth menu.

Bluetooth Audio Reroute – Allows you to toggle the audio route between radio speaker or Remote Speaker Microphone and Bluetooth headset.

Bluetooth Headset PTT – Keys up the Bluetooth Headset’s microphone.

Bluetooth Data Devices – Keys up the Bluetooth data devices.

Bluetooth Clear All Pairing – Allows you to clear all pairing info for Bluetooth. This is accessed by a long press of the Bluetooth On/Off Button.

Call Alert – Allows the radio to function like a pager, or to verify if a radio is active on the system.

Call Response – Allows you to answer a private call.

Channel – Selects a channel.

Contacts – Selects the Contacts menu.

Dynamic ID (Conventional Only) – Allows you to edit the radio’s ASTRO Individual ID and/or MDC Primary ID.

Dynamic Priority (Conventional Only) – Allows any channel in a scan list (except for the Priority-One channel) to temporarily replace the Priority-Two channel.

Emergency – Depending on the programming, initiates or cancels an emergency alarm or call.

Information – Displays the information of the radio.

Internet Protocol Address – Displays the Internet Protocol (IP) address, device name and status of the radio.

Location – Determines the current location (latitude, longitude, time and date), and also the distance and bearing to another location. Or, turns the GPS functionality on or off for all location.

Man Down Clear – Clears the alarm of Man Down mode which was triggered when the radio achieves or passes a tilt angle threshold or a combination of the angle threshold and a motion sensitivity level.

Message – Enters the current message list.

Mode Select – Long-press programs a button with the radio's current zone and channels; then once programmed, the short-press of that button changes the transmission to the programmed zone and channel.

Monitor (Conventional Only) – Monitors a selected channel for all radio traffic until function is disabled.

Multiple Private Line (Conventional Only) – Selects the Multiple Private Line lists.

Nuisance Delete – Temporarily removes an unwanted channel, except for priority channels or the designated transmit channel, from the scan list.

One Touch 1 – 4 – Launches a specific feature with one single button-press. You can setup as many as four separately programmed buttons for four different features.

Phone – Allows you to make and receive calls similar to standard phone calls.

Private Call (Trunking Only) – Allows a call from an individual radio to another individual radio.

Private Line Defeat (Conventional Only) – Overrides any coded squelch (DPL or PL) that is preprogrammed to a channel.

Radio Profiles – Allows for easy access to a set of preprogrammed visual and audio settings of the radio.

Recent Calls – Allows for easy access to the list of calls recently received or made.

Rekey Request – Notifies the dispatcher you want a new encryption keys.

Repeater Access Button (RAB) (Conventional Only) – Allows to manually send a repeater access codeword.

Reprogram Request (Trunking Only) – Notifies the dispatcher you want a new dynamic regrouping assignment.

Request-To-Talk (Conventional Only) – Notifies the dispatcher you want to send a voice call.

Scan – Toggles scan on or off.

Secure Transmission Select (Conventional and Trunking) – Toggles the Secure Transmission On or Off when the Secure/Clear Strapping fields is set to “Select” for the radio's current channel, and when the radio is model/option capable.

Selective Call (Conventional Only) – Calls an assigned radio.

Site Display/Search (Trunking Only) – Displays the current site ID and RSSI value; performs site search for AMSS (Automatic Multiple Site Select) or SmartZone operation.

Site Lock/Unlock (Trunking Only) – Locks onto a specific site.

Status – Sends data calls to the dispatcher about a predefined status.

Talkaround/Direct (Conventional Only) – Toggles between using a repeater and communicating directly with another radio.

Talkgroup (Conventional Only) – Allows a call from an individual radio to a group of radios.

Text Messaging Service (TMS) – Selects the text messaging menu.

TMS Quick Text – Selects a predefined message.

User – Automatically registers with the server.

Zone Select – Allows selection from a list of zones.

Assignable Settings or Utility Functions

Light/Flip – Press the button to toggle the display backlight on or off.

Keypad and Controls Lock – Locks or unlocks the keypad, programmable buttons and rotary knob.

Voice Announcement – Audibly indicates the current feature mode, Zone or Channel the user has just assigned.

Voice Mute – Toggles voice mute on or off.

Volume Set Tone – Sets the volume set tone.

■ Accessing the Preprogrammed Functions

You can access various radio functions through one of the following ways:

- A short or long press of the relevant programmable buttons.

OR

- Use the **Menu Select Buttons** ({ , | , and }).

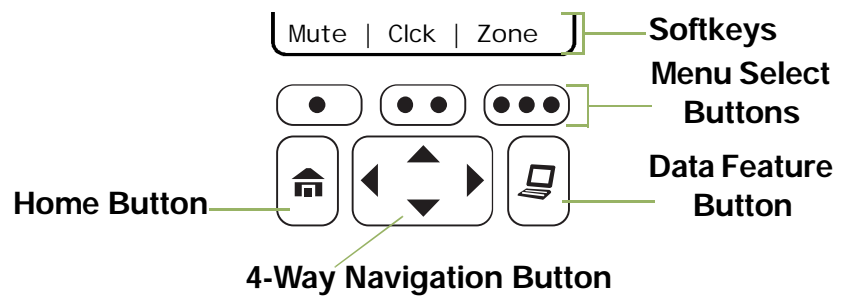
☞ Using the Menu Select Buttons

The **Menu Select** buttons access the menu entries of features.

Note: Check with your dealer or system administrator for the list of features activated in your radio.

Your radio may be preprogrammed differently from the following example, but the steps for selecting a channel may appear as shown below:

- Press the **Menu Select** button (|) directly below Chan.



☞ Using the Navigation Buttons

☞ Home Button

The **H** button returns you to the Home (default) screen. In most cases, this is the current mode.

For selected radio features, the **H** button is also used to save user-edited radio settings or information before returning you to the Home screen.

Note: Some features do not require you to press **H** to go to the Home screen. Refer to the individual feature sections in this manual for further details on saving user-edited radio settings or information.

☞ Data Feature Button

Use this button to access data-related features, such as the Text Messaging Service (TMS) feature screen.

☞ 4-Way Navigation Button


Use this button to scroll up, down, left or right.


Press and release one of the button to scroll from one entry to the next one. Press and hold one of the button to have the radio toggles through the list automatically (release the button to stop).

Multi Function Knob (MFK)

MFK is the on/off button of your radio. See **Turning On the Radio** on page 7 for the procedure to power up and down the radio.

In addition, there are programmable features available for MFK, which are:

Mode Change  – Turn MFK to scroll the channel or zone list.

Volume Change  – Turn MFK to increase or decrease the volume level of the speaker. Fast turn of MFK makes coarse tuning of the volume level; slow turn of MFK makes fine tuning of the volume level. The display shows the volume level and bars to indicate the current level. The level of last selected volume before the radio powers down remains the same when the radio powers up.

The main display only shows the icon of secondary feature; the main display does not show the icon of primary feature.

The radio by default is set to use the primary feature. Short presses of MFK toggle it to work on either the secondary or primary feature.

The secondary feature has an inactivity timer. This timer starts when the secondary feature is left idle. Your radio returns to primary feature when this timer expires.

If the MFK is set to operate only one feature besides On/Off the radio, Volume Change should be the only feature applied to MFK.

Consult your dealer or system administrator for the best options available for MFK.

■ Using the Keypad

You can use the 3 x 4 alphanumeric keypad to access the radio's features. The keypad functions in a manner similar to a standard telephone keypad when entering numeric digits. When the keypad is used to edit a list, each key can generate different characters of the alphabet. The tables below show the number of times a key needs to be pressed to generate the required character.

📄 Keypad Characters – Uppercase Mode

Key	Number of Times Key is Pressed																				
	1	2	3	4	5	6	7	8	9	10	11	12	13	14	15	16	17	18	19	20	21
1	1	.	,	?	!	;	@	_	-	*	#	&	\$	/	+	=	\	"	'	()
2	A	B	C																		
3	D	E	F																		
4	G	H	I																		
5	J	K	L																		
6	M	N	O																		
7	P	Q	R	S																	
8	T	U	V																		
9	W	X	Y	Z																	
O	Toggle between mixed case mode, uppercase mode, and lowercase mode.																				
*	Space																				
#	Toggle between numeric and letter mode.																				

 **Keypad Characters – Lowercase Mode**

Key	Number of Times Key is Pressed																				
	1	2	3	4	5	6	7	8	9	10	11	12	13	14	15	16	17	18	19	20	21
1	1	.	,	?	!	;	@	_	-	*	#	&	\$	/	+	=	\	“	‘	()
2	a	b	c																		
3	d	e	f																		
4	g	h	i																		
5	j	k	l																		
6	m	n	o																		
7	p	q	r	s																	
8	t	u	v																		
9	w	x	y	z																	
O	Toggle between mixed case mode, uppercase mode, and lowercase mode.																				
*	Space																				
#	Toggle between numeric and letter mode.																				

Keypad Characters – Numeric Mode

Key	Number of Times Key is Pressed																				
	1	2	3	4	5	6	7	8	9	10	11	12	13	14	15	16	17	18	19	20	21
1	1	.	,	?	!	;	@	_	-	*	#	&	\$	/	+	=	\	“	‘	()
2	2																				
3	3																				
4	4																				
5	5																				
6	6																				
7	7																				
8	8																				
9	9																				
0	0																				
*	Space																				
#	Toggle between numeric and letter mode.																				

 **Keypad Characters – Hexadecimal Mode**

Key	Number of Times Key is Pressed																				
	1	2	3	4	5	6	7	8	9	10	11	12	13	14	15	16	17	18	19	20	21
1	1																				
2	2	A	B	C																	
3	3	D	E	F																	
4	4																				
5	5																				
6	6																				
7	7																				
8	8																				
9	9																				
0	0																				
*	Not applicable																				
#	Not applicable																				

■ Push-To-Talk (PTT) Button

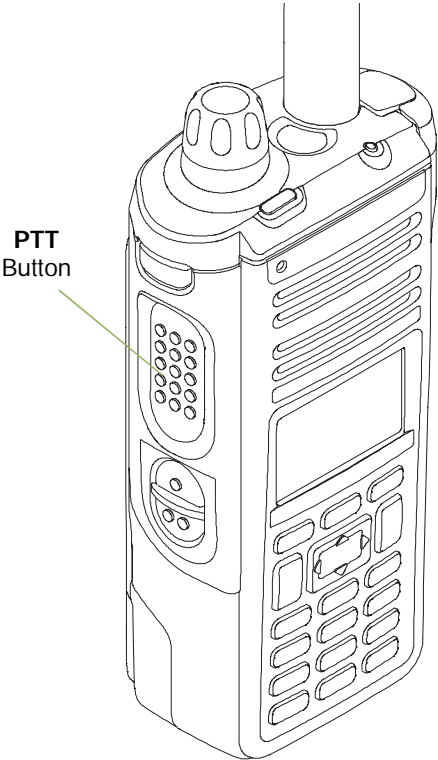
The **PTT** button on the side of the radio serves two basic purposes:

- While a call is in progress, the **PTT** button allows the radio to transmit to other radios in the call.

Press and hold down **PTT** button to talk. Release the **PTT** button to listen.

The microphone is activated when the **PTT** button is pressed.

- While a call is not in progress, the **PTT** button is used to make a new call. See ***Making a Radio Call*** on page 41 for more information.



Identifying Status Indicators

Your radio indicates its operational status through the following:

- Status Icons page 21
- Text Messaging Service (TMS) Icons page 23
 - Status Icons page 23
 - TMS Menu Options page 25
- Call Type Icons page 25
- Top Lightbar and LED Indicators page 26
 - LED Indications page 27
 - Top Lightbar Indications page 27
- Intelligent Lighting Indicators page 28
- Alert Tones page 29
- Phone Call Display and Alert Prompts page 33

■ Status Icons

The 160 x 90 pixel front liquid crystal display (LCD) of the radio shows radio status, text entries, and menu entries. The top display row contain color icons that indicate radio operating conditions.

The following icons are for the front display screen unless indicated otherwise.



Receiving

Radio is receiving a call or data.



Transmitting

Radio is transmitting a call or data.



Battery

The number of bars (0 – 4) shown indicates the charge remaining in the battery. Blinks when the battery is low. For IMPRES battery operation only – the icon shown indicates the charge remaining in the battery.

For all battery operation – the icon blinks when the battery is low.



Received Signal Strength Indicator (RSSI)

The number of bars displayed represents the received signal strength for the current site, for trunking only. The more stripes in the icon, the stronger the signal.



Direct

- **On** = Radio is currently configured for direct radio-to-radio communication (during conventional operation only).
- **Off** = Radio is connected with other radios through a repeater.



Monitor (Carrier Squelch)

Selected channel is being monitored (during conventional operation only).



In-Call User Alert

- **On** = The feature is enabled. Voice muting of the affiliated trunking talkgroup or selected conventional channel is activated.
- **Off** = The feature is disabled. Voice muting of the affiliated trunking talkgroup or selected conventional channel is deactivated.

H or .**Power Level**

- **L** = Radio is set at Low power.
- **H** = Radio is set at High power.

i**Scan**

Radio is scanning a scan list.

Z **Priority Channel Scan**

- **Blinking dot** = Radio detects activity on channel designated as Priority-One.
- **Steady dot** = Radio detects activity on channel designated as Priority-Two.

k**Vote Scan Enabled**

The vote scan feature is enabled.

m**Secure Operation**

- **On** = Secure operation.
- **Off** = Clear operation.
- **Blinking** = Receiving an encrypted voice call.

I**AES Secure Operation**

- **On** = AES Secure operation.
- **Off** = Clear operation.
- **Blinking** = Receiving an encrypted voice call.

G**Location Signal**

- **On** = Location feature is enabled, and location signal is available.
- **Off** = Location feature is disabled.
- **Blinking** = Location feature is enabled, but no location signal is available.

n**User Login Indicator (IP Packet Data)**

- **On** = User is currently associated with the radio.
- **Off** = User is currently not associated with the radio.
- **Blinking** = Device registration or user registration with the server failed due to an invalid username or pin.

O**Data Activity**

Data activity is present.

**Hexadecimal**

Indicates that the text entry is currently in hexadecimal mode.

**Bluetooth On**

Bluetooth is on and ready for bluetooth connection.

**Bluetooth Connected**

Bluetooth is currently connected to the external bluetooth device.

**MFK is in Mode Change feature**

Turn the MFK to change the channel/zone.

**MFK is in Volume Change feature**

Turn the MFK to turn the volume up or down.

Text Messaging Service (TMS) Icons

This feature allows you to send and receive text messages. See *Text Messaging Service (TMS)* on page 76 for more information.

Status Icons

The following icons appear on the radio's display when you send and receive text messages.

**Inbox Full**

The Inbox is full.

**Message Sent**

The text message is sent successfully.

**Message Unsent**

The text message cannot be sent.

Unread Message

- User receives a new message.
- The selected text message in the Inbox has not been read.

Y

Read Message

The selected text message in the Inbox has been read.

r

Normal Message

User is composing a message with normal priority and without a request for a reply.

3/6

Message Index

Indicates the index of the current message the user is viewing.

Example: If the user is looking at the third message out of a total of 6 messages in the Inbox folder, the icon is displayed as the icon on the left column.

**Priority Status**

- The “Priority” feature is toggled on before the message is sent.



- Messages in the Inbox folder are flagged with “Priority”.

**Request Reply**

- The “Request Reply” feature is toggled on before the message is sent.



- Messages in the Inbox folder are flagged with “Request Reply”.

Priority Status and Request Reply

- User is composing a message with a priority status and a request for a reply.
- Messages in the Inbox folder are flagged with “Priority” and “Request Reply”.

123

Numeric

Indicates that the text entry is currently in numeric mode.

Ab↑

Start Case

Indicates that the first character of the text entry is capitalized.

Abc

Mixed Case

Indicates that the text entry is currently in normal text mode.

ABC

Uppercase

Indicates that the text entry is currently in uppercase mode.

abc

Lowercase

Indicates that the text entry is currently in lowercase mode.

TMS Menu Options

Menu Option	Description/Function
Back	Brings you back to the previous screen.
Clr	Deletes all messages.
Del	Deletes a message or text.
Edit	Brings you to the edit screen.
Exit	Exits to the Home screen.
No	Returns to the previous screen.
Optn	Brings you to the Options main screen.
Rply	Replies to a message.
Sel	Selects the highlighted command.
Send	Sends the message.
Yes	Updates or saves a command.

■ Call Type Icons

The following icons appear on the radio's main display, when you make or receive a call, or view selected call lists, to indicate the different call types associated with an alias or ID.



Radio number.



Radio number added to a Call List.



Mobile number.



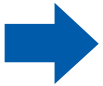
Mobile number added to a Call List.



Landline phone number.



Landline phone number added to a Call List.



Incoming call or data.



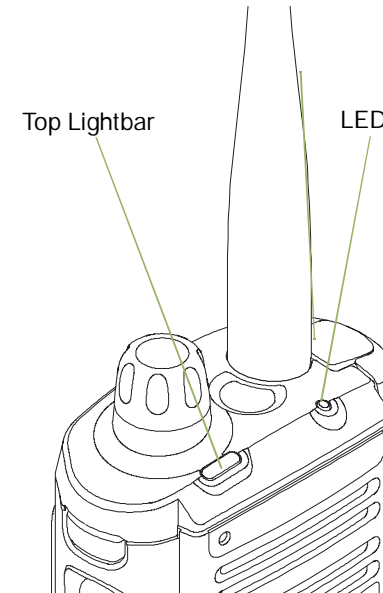
Outgoing call or data.



Incoming emergency call.

■ Top Lightbar and LED Indicators

The Top Lightbar and LED indicators show the operational status of the radio.



LED Indications

Solid red – Radio is transmitting.

Blinking red – Radio is transmitting at low battery condition.

Rapidly blinking red – Radio has failed the self test upon powering up or encountered a fatal error.

Solid yellow (Conventional Only) – Channel is busy.

Blinking yellow – Radio is receiving a secured transmission.

Solid green – Radio is powering up, or is on a non-priority channel while in the Scan List Programming mode.

Blinking green – Radio is receiving an individual or telephone call, or is on a Priority-Two channel while in the Scan List Programming mode.

Rapidly blinking green – Radio is on a Priority-One channel while in the Scan List Programming mode.

Note: No LED indication when the radio receives a clear (non-secured) transmission in trunking Mode.

Top Lightbar Indications

The lightbar **blinks green** when the MFK is using the secondary feature. See *Multi Function Knob (MFK)* on page 15 to understand the functionality of MFK.

The lightbar turn into **solid** color of **orange**, **red** or **green** depending on the status of Intelligent Lighting. See *Intelligent Lighting Indicators* on page 28 for different status of Intelligent Lighting.

■ Intelligent Lighting Indicators

This feature temporarily changes the color of the Top Lightbar and adds a color bar to the main display screen to help signal that a radio event has occurred.

Note: This feature must be preprogrammed by a qualified radio technician.

Backlight and Bar Color	Notification	When
Orange	Emergency Alerts	The radio initiates an emergency alarm or call.
		The radio receives an emergency alarm or call.
		The radio initiates the Man Down Post-Alert timer.
Red	Critical Alerts	The radio battery is low.
		The radio is out of range.
		The radio enters failsoft mode.
		The radio is unable to establish a full connection with the system.
Green	Call Alerts	The radio is unable to authenticate or register with the system.
		The radio receives a private call.
		The radio receives a phone call.
		The radio receives a call alert.
		The radio receives a selective call.

■ Alert Tones

The radio uses alert tones to inform you of the radio's condition. The following table lists these tones and when they occur.

You Hear	Tone Name	Heard
Short, Low-Pitched Tone	Radio Self Test Fail	When radio fails its power-up self test.
	Reject	When an unauthorized request is made.
	Time-Out Timer Warning	Four seconds before time out.
	No ACK Received	When radio fails to receive an acknowledgment.
	Individual Call Warning Tone	When radio is in an individual call for greater than 6 seconds without any activity.
	Man Down Entry	When radio initiates Man Down mode.
Long, Low-Pitched Tone	Time-Out Timer Timed Out	After time out.
	Talk Prohibit/PTT Inhibit	(When PTT button is pressed) transmissions are not allowed.
	Out of Range	(When PTT button is pressed) the radio is out of range of the system.
	Invalid Mode	When radio is on an unpreprogrammed channel.
A Group of Low-Pitched Tones	Busy	When system is busy.

You Hear	Tone Name	Heard
Short, Medium-Pitched Tone	Valid Key-Press	When a correct key is pressed.
	Radio Self Test Pass	When radio passes its power-up self test.
	Clear Voice	At beginning of a non-coded communication.
	Priority Channel Received	When activity on a priority channel is received.
	Emergency Alarm /Call Entry	When entering the emergency state.
	Central Echo	When central controller has received a request from a radio.
Long, Medium-Pitched Tone	Volume Set	When volume is changed on a quiet channel.
	Emergency Exit	When exiting the emergency state.
A Group of Medium-Pitched Tones	Failsoft	When the trunking system fails.
	Automatic Call Back	When voice channel is available from previous request.
	Talk Permit	(When PTT button is pressed) verifying system accepting transmissions.
	Keyfail	When encryption key has been lost.
	Console Acknowledge	When status, emergency alarm, or reprogram request ACK is received.
	Received Individual Call	When Call Alert or Private Call is received.
	Call Alert Sent	When Call Alert is received by the target radio.
Site Trunking	When a SmartZone trunking system fails.	

You Hear	Tone Name	Heard
Short, High-Pitched Tone (Chirp)	Low-Battery Chirp	When battery is below preset threshold value.
Ringing	Fast Ringing	When system is searching for target of Private Call.
	Enhanced Call Sent	When waiting for target of Private Call to answer the call.
	Phone Call Received	When a land-to-mobile phone call is received.
Gurgle	Dynamic Regrouping	(When the PTT button is pressed) a dynamic ID has been received.
Unique, Low-Pitched Chirp	New Message	When a new message is received.
Unique, High-Pitched Chirp	Priority Status	When a priority message is received.
Doh-Sol	Enhanced Zone Bank Up	When EZB Up button is pressed to scroll the Enhance Zone Bank up.
	MFK Enters Secondary Feature	When MFK is toggled to secondary feature.
Sol-Doh	Enhanced Zone Bank Down	When EZB Down button is pressed to scroll the Enhance Zone Bank down.
	MFK Exits Secondary Feature	When MFK is toggled to exit secondary feature and return to primary feature.

You Hear	Tone Name	Heard
Incremental-Pitched Tone	Bluetooth Paired	When Bluetooth accessory is paired with the radio.
	Bluetooth Connected	When Bluetooth accessory is connected to the radio.
Decremental-Pitched Tone	Bluetooth Unpaired	When Bluetooth accessory is unpaired from the radio.
	Bluetooth Disconnected	When Bluetooth accessory is disconnected from the radio.
A Group of Very High-Pitched Tones	Man Down Continuous Tone	When radio is in Man Down mode and prepares to transmit Emergency Alarm when the timer of this alarm ends.

■ Phone Call Display and Alert Prompts

The following appears on the radio's display when you make and receive Phone calls. The radio also uses alert tones to indicate the current status.

You Hear	You See	When	Notes
A Long Tone	No phone	You press the PTT button and the phone system is not available.	Press H to hang up. The radio returns to the Home screen.
	Phone busy	The phone system is busy.	Press H to exit the phone mode and try your call later.
A Busy Tone	Phone busy	When a channel is not available.	The radio automatically connects when a channel opens.
–	No acknowledge	The call is not acknowledged.	Press H to hang up. The radio returns to the Home screen.
A High-Pitched Tone	–	When you release the PTT button.	The radio indicates to the landline party that he or she may begin talking.

Note: You have the option of sending additional digits (overdial), such as an extension number, or credit card or PIN numbers, to the phone system. If the radio is preprogrammed for live overdial, every digit entered after the call is connected is sent to the phone system.

If the radio is preprogrammed for buffered overdial, the digits pressed are entered into memory and then sent when the **PTT** button is pressed. Press the **PTT** button to send either digits or voice, but not both at the same time.

General Radio Operation

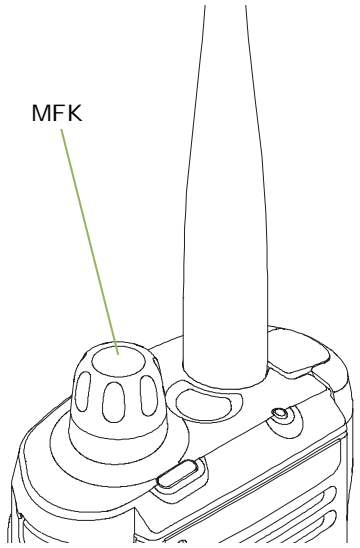
Once you understand how your APX Portable is configured, you are ready to use your radio.

Use this navigation guide to familiarize yourself with the basic Call features:

- Selecting a Zone page 34
- Selecting a Radio Channel page 35
- Using Channel Search Button. page 36
- Receiving and Responding to a Radio Call. page 39
- Making a Radio Call page 41
- Repeater or Direct Operation page 45
- Monitoring Features page 45

Selecting a Zone

A zone is a group of channels.



Use the following procedure to select a zone.

Note: Your radio must be preprogrammed to allow you to use this feature.

If **Mode Change** is secondary feature of the MFK, see **Multi Function Knob (MFK)** on page 15 to toggle the function of MFK.

Procedure:

Turn the preprogrammed **Zone Change MFK** to the required zone and proceed to Step 3.

OR

Follow the procedure below.

- 1 < or > to Zone.

- 2 Press the **Menu Select** button directly below Zone.

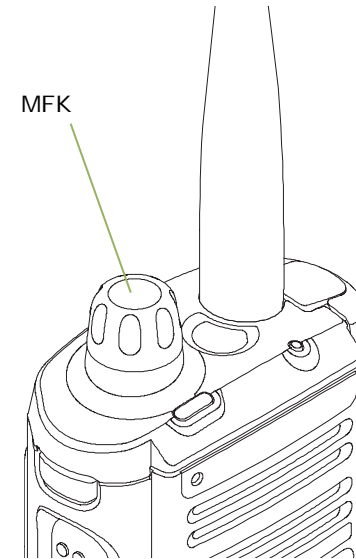
- 3 U or D to the required zone.
OR
Use the keypad to enter the zone number.

- 4 If the zone number entered is unprogrammed, the display shows Invalid entry. Repeat Step 3.
OR
Press the **Menu Select** button directly below Sel to confirm the displayed zone.

- 5 Press the **PTT** button to transmit on the displayed zone channel.

■ Selecting a Radio Channel

A channel is a group of radio characteristics, such as transmit/receive frequency pairs.



Use the following procedure to select a channel.

Note: Your radio must be preprogrammed to allow you to use this feature. If you select a channel that is not within the preprogrammed band, the radio indicates that it is on an unsupported frequency with both audio and visual warnings.

Consult a qualified radio technician for the right choice between the following methods.

If **Mode Change** is secondary feature of MFK, see **Multi Function Knob (MFK)** on page 15 to toggle the function of MFK.

Procedure:

Turn the preprogrammed **MFK** to the desired channel.

OR

Follow the procedure below.

- 1 < or > to Chan.

- 2 Press the **Menu Select** button directly below Chan.

- 3 U or D to the required channel.
OR
Use the keypad to enter the channel number.

- 4 If the channel number entered is unprogrammed, the display shows Invalid entry. Repeat Step 3.
OR
Press the **Menu Select** button directly below Sel to confirm the selected channel.

- 5 Press the **PTT** button to transmit on the displayed zone channel.

■ Using Channel Search Button

This feature allows you to do a quick search for a specific channel in the radio by key in the alias of the channel. If the name matches, your radio prompts the first found matched channel name.

Procedure:

Press the preprogrammed **Channel Search** button.

OR

Follow the procedure below.

- 1 < or > to CSrh.

- 2 Press the **Menu Select** button directly below CSrh to key in the channel name.

- 3 A blinking cursor appears on the Channel Search screen. Use the keypad to type or edit your message.
Press < to move one space to the left.
Press > to move one space to the right.
Press the **Menu Select** button directly below Del to delete any unwanted characters.
Press * to add a space.
Press O to toggle between mixed case mode, uppercase mode, and lowercase mode.
Press # to toggle between numeric and letter mode.

- 4 Press the **Menu Select** button directly below CSrh once the entry is done to initiate searching.
OR
Press the **Menu Select** button directly below Cncl to exit.

 - 5 The display shows Searching.
OR
If the radio is triggered to search for an empty entry, the display shows Invalid Entry. Repeat step 3.

 - 6 Once found, the display shows the matched channel name and the radio changed its transmission to this channel.
OR
If the entry does not match, the display shows Channel name not found. Repeat from step 3 if want to search again; or press H or the **Menu Select** button directly below Exit to exit.
-

■ Using Mode Select Feature

Mode Select allows a long press to save the radio's current zone and channel to a programmable button, keypad button or a softkey; then once programmed, the short-press of that button or softkey jumps the transmission to the saved zone and channel.

There are two methods to save the selected zone and channel:

- Softkeys
- Programmable buttons and keypad buttons (digit 0 to 9)

Note: Your radio must be preprogrammed to allow you to use this feature.

Saving a Zone and Channel to a Softkey

Five softkeys are available for you to save the frequent used zone and channel.

Procedure:

- 1 Toggle your zone and channel to the required zone and channel.
- 2 < or > to MS1, MS2 ... or MS5.
- 3 Press and hold the **Menu Select** button directly below the softkey.
- 4 You hear a short, medium-pitched tone when the zone and channel is saved.

Note: To change the programmed zone and channel, repeat this procedure.

Short press of the programmed softkey changes your current transmission to the zone and channel programmed in this softkey.

Saving a Zone and Channel to a Keypad Button

All the programmable buttons and keypad digit 0 to 9 buttons allow you to save the frequent used zone and channel.

Procedure:

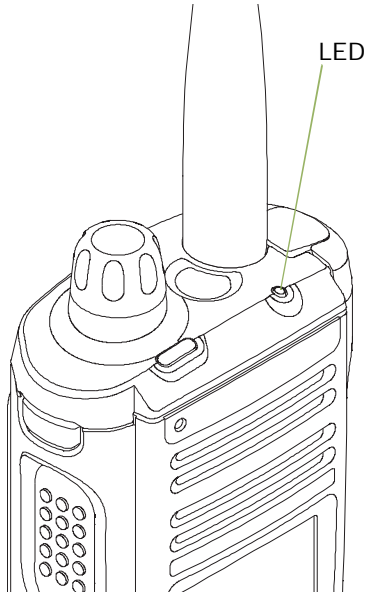
- 1 Toggle your zone and channel to the required zone and channel.
- 2 Press and hold the digit button you desire to program.
- 3 You hear a short, medium-pitched tone when the zone and channel is saved.

Note: Repeat this procedure to change the zone and channel of the programmed button.

Short press of the programmed button changes your current transmission to the zone and channel programmed in this button.

■ Receiving and Responding to a Radio Call

Once you have selected the required channel and/or zone, you can proceed to receive and respond to calls.



The LED lights up solid red while the radio is transmitting. In conventional mode, the LED lights up solid yellow when the radio is receiving a transmission. In trunking mode, there is no LED indication when the radio receives a transmission.

If the radio is receiving a secure transmission, the LED blinks yellow.

📄 Receiving and Responding to a Talkgroup Call

To receive a call from a group of users, the radio must be configured as part of that talkgroup.

Procedure:

When you receive a talkgroup call (while on the Home screen), depending on how your radio is preprogrammed:

1 **ASTRO Conventional Only:**

The LED lights up solid yellow. The display shows the talkgroup alias or ID, and the caller alias or ID.

OR

Trunking Only:

The display shows the caller alias or ID.

- 2 Hold the radio vertically 1 to 2 inches (2.5 to 5.0 cm) from your mouth.
- 3 Press the **PTT** button to respond to the call. The LED lights up solid red.
- 4 Release the **PTT** button to listen.

See **Making a Talkgroup Call** on page 41 for details on making a Talkgroup Call.

Receiving and Responding to a Private Call (Trunking Only)

A Private Call is a call from an individual radio to another individual radio.

These one-to-one calls between two radios are not heard by others in the current talkgroup. The calling radio automatically verifies that the receiving radio is active on the system and can display the caller ID.

Note: The radio automatically exits the feature, if the feature inactivity timer is enabled, when the radio is left idle and the timer expires. You will hear the Menu Inactive Exit Tone upon feature exit.

Procedure:

When you receive a Private Call:

- 1 You hear two alert tones and the LED blinks green. The display shows Call received and the call received icon blinks.
-

- 2 Press the **Menu Select** button directly below Resp.
OR
Press the **Call Response** button within 20 seconds after the call indicators begin.

 - 3 During the call, the display shows the caller alias (name), if it is in the call list.
OR
During the call, the display shows the caller ID (number), if the caller's name is not in the call list.

 - 4 Press and hold the **PTT** button to talk. Release the **PTT** button to listen.

 - 5 Press **H** or the **Call Response** button to hang up and return to the Home screen.
-

See ***Making a Private Call (Trunking Only)*** on page 42 for details on making a Private Call.

Receiving and Responding to a Telephone Call (Trunking Only)

This feature allows you to receive calls similar to standard phone calls from a landline phone.

Note: The radio automatically exits the feature, if the feature inactivity timer is enabled, when the radio is left idle and the timer expires. You will hear the Menu Inactive Exit Tone upon feature exit.

Procedure:

Use the preprogrammed **Call Response** button to answer a Telephone Call:

- 1 You hear a telephone-type ringing and the LED blinks green. The backlight of the screen and the bar turns green. The display shows Phone Call and the call received icon blinks.
- 2 Press the **Call Response** button within 20 seconds after the call indicators begin.
- 3 Press and hold the **PTT** button to talk. Release the **PTT** button to listen.
- 4 Press **H** or the **Call Response** button to hang up and return to the Home screen.

See ***Making a Telephone Call (Trunking Only)*** on page 44 for details on making a Telephone Call.

■ Making a Radio Call

You can select a zone, channel, subscriber ID, or talkgroup by using:

- MFK preprogrammed with Channel Change or Zone Change
- A preprogrammed **One Touch Call** button
- The Contacts list (see ***Viewing Details of a Contact*** on page 58)

Note: The radio automatically exits the feature, if the feature inactivity timer is enabled, when the radio is left idle and the timer expires. You will hear the Menu Inactive Exit Tone upon feature exit.

Making a Talkgroup Call

To make a call to a group of users, your radio must be configured as part of that talkgroup.

Procedure:

- 1 Turn the MFK to select the channel with the desired talkgroup.

- 2 Hold the radio vertically 1 to 2 inches (2.5 to 5.0 cm) from your mouth.

- 3 Press the **PTT** button to make the call.

- 4 **ASTRO Conventional Only:**
The LED lights up solid red. The display shows the talkgroup alias or ID.
OR
Trunking Only:
The LED lights up solid red.

- 5 Speak clearly into the microphone.

- 6 Release the **PTT** button to listen.

Making a Private Call (Trunking Only)

Procedure:

Press the preprogrammed **Quick Access (One-Touch) Private Call** button to dial the preprogrammed ID (number) and proceed to Step 5.

OR

Follow the procedure below.

- 1 < or > to Call.

- 2 Press the **Menu Select** button directly below Call. The display shows the last transmitted or received ID.

- 3 Press the **Menu Select** button directly below Cnts to scroll through and select the required ID.
OR
Press the **Menu Select** button directly below LNum to go to the last number dialed.
OR
U or D to the required ID.
OR
Use the keypad to enter the required ID.

- 4 Press the **PTT** button to initiate the Private Call.

- 5 The display shows Calling... <Number>.

- 6 Hold the radio vertically 1 to 2 inches (2.5 to 5.0 cm) from your mouth.

- 7 When you are connected, the display shows the ID of the target radio. Press and hold the **PTT** button to talk. Release the **PTT** button to listen.
OR
If no acknowledgment is received, the display shows No acknowledge.

- 8 Press **H** to return to the Home screen.

Making an Enhanced Private Call (Trunking Only)

This feature allows you to send an individual Call Alert page if there is no answer from the target radio. See ***Sending a Call Alert Page*** on page 64 for more information.

Note: Your radio must be preprogrammed to allow you to use this feature.

Procedure:

Press the preprogrammed **Quick Access (One-Touch) Enhanced Private Call** button to dial the preprogrammed ID and proceed to Step 5.

OR

Follow the procedure below.

- 1 < or > to Call.

- 2 Press the **Menu Select** button directly below Call. The display shows the last transmitted or received ID.

- 3 Press the **Menu Select** button directly below Cnts to scroll through and select the required ID.
OR
Press the **Menu Select** button directly below LNum to go to the last number dialed.
OR
U or D to the required ID.
OR
Use the keypad to enter the required ID.

- 4 Press the **PTT** button to initiate the Private Call.
- 5 The display shows Calling... <Number>.
- 6 Hold the radio vertically 1 to 2 inches (2.5 to 5.0 cm) from your mouth.
- 7 When you are connected, the display shows the ID of the target radio. Press and hold the **PTT** button to talk. Release the **PTT** button to listen.
OR
If no acknowledgment is received, the display shows No acknowledge.
OR
If the target radio does not respond before the time out, the display shows No answer.
- 8 Press **H** to return to the Home screen.

Making a Telephone Call (Trunking Only)

This feature allows you to make calls similar to standard phone calls to a mobile or landline phone.

Procedure:

Press the preprogrammed **Quick Access (One-Touch) Phone Call** button to dial the preprogrammed phone number and proceed to Step 5.

OR

Follow the procedure below.

- 1 < or > to Phon.
- 2 Press the **Menu Select** button directly below Phon. The display shows the last transmitted phone number.
- 3 Press the **Menu Select** button directly below Cnts to scroll through and select the required ID.
OR
Press the **Menu Select** button directly below LNum to go to the last number dialed.
OR
U or D to the required phone number.
OR
Use the keypad to enter the required phone number.
- 4 Press and release the **PTT** button to dial the phone number.
- 5 Hold the radio vertically 1 to 2 inches (2.5 to 5.0 cm) from your mouth.
- 6 When your call is answered, press the **PTT** button to talk. Release the **PTT** button to listen.
- 7 Press **H** to return to the Home screen.

See **Phone Call Display and Alert Prompts** on page 33 for more information if your call is **NOT** answered.

■ Repeater or Direct Operation

The **REPEATER** operation increases the radio's range by connecting with other radios through a repeater. The transmit and receive frequencies are different.

The **DIRECT** or "talkaround operation" allows you to bypass the repeater and connect directly to another radio. The transmit and receive frequencies are the same.

Procedure:

Press the preprogrammed **Repeater/Direct** button to toggle between talkaround and repeater modes.

OR

Follow the procedure below.

- 1 < or > to Dir.
- 2 Press the **Menu Select** button directly below Dir.
- 3 The display shows Repeater mode if the radio is currently in Repeater mode.

OR

The display shows Direct mode and the Talkaround icon if the radio is currently in Direct mode (during conventional operation only).

■ Monitoring Features

Radio users who switch from analog to digital radios often assume that the lack of static on a digital channel is an indication that the radio is not working properly. This is not the case.

This digital technology quiets the transmission by removing the "noise" from the signal and allows only the clear voice or data information to be heard.

Use the Monitor feature to make sure a channel is clear before transmitting.

Monitoring a Channel

Procedure:

Press the preprogrammed **Monitor** button and proceed to Step 3.

OR

Follow the procedure below.

- 1 Select the desired zone and channel.
- 2 Listen for a transmission.
- 3 Adjust the **Volume Change MFK** if necessary.
- 4 Press and hold the **PTT** button to transmit. The LED lights up solid red.
- 5 Release the **PTT** button to receive (listen).

*The Carrier Squelch indicator appears on the display when you monitor a channel via the preprogrammed **Monitor** button.*

Conventional Mode Operation

Your radio may be preprogrammed to receive Private-Line[®] (PL) calls.

Procedure:

- 1 Momentarily press the **Monitor** button to listen for activity. The Carrier Squelch indicator appears on the display.
- 2 Press and hold the **Monitor** button to set continuous monitor operation. The duration of the button press is programmable.
- 3 Press the **Monitor** button again, or the **PTT** button, to return to the original squelch setting.

*If you try to transmit on a receive-only channel, you hear an invalid tone until you release the **PTT** button.*

Advanced Features

Use this navigation guide to learn more about advanced features available with your radio:

Advanced Call Features	page 47
Contacts	page 51
Scan Lists	page 59
Scan	page 61
Call Alert Paging	page 63
Emergency Operation	page 65
Man Down	page 68
Automatic Registration Service (ARS).	page 73
Text Messaging Service (TMS)	page 76
Secure Operations.	page 87
Security	page 92
The Global Positioning System (GPS)	page 93
Trunking System Controls	page 102
Mission Critical Wireless - Bluetooth® -	page 104
Utilities.	page 112

Advanced Call Features

Receiving and Making a Selective Call (ASTRO Conventional Only)

This feature allows you to receive a call from or to call a specific individual. It is intended to provide privacy and to eliminate the annoyance of having to listen to conversations that are of no interest to you.

Receiving a Selective Call

Procedure:

- 1 When you receive a Selective Call, you hear two alert tones and the LED lights up solid yellow. The call received icons blinks and the display shows Call received. You hear two alert tones, the LED lights up solid yellow to indicate the transmitting radio is still sending signal.
OR
the LED blinks solid green once to indicate the transmitting radio is pending to receive signal.
- 2 The speaker unmutes.
- 3 Hold the radio vertically 1 to 2 inches (2.5 to 5.0 cm) from your mouth.
- 4 Press and hold the **PTT** button to talk. Release the **PTT** button to listen.

Making a Selective Call

Procedure:

Press the preprogrammed **Quick Access (One-Touch) Selective Call** button to dial the preprogrammed ID and proceed to Step 4.

OR

Follow the procedure below.

- 1 < or > to Call.
- 2 Press the **Menu Select** button directly below Call. The display shows the last transmitted or received ID.
- 3 Press the **Menu Select** button directly below Cnts to scroll through and select the required ID.
OR
Press the **Menu Select** button directly below LNum to go to the last number dialed.
OR
U or D to the required ID.
OR
Use the keypad to enter the required ID.
- 4 Hold the radio vertically 1 to 2 inches (2.5 to 5.0 cm) from your mouth.
- 5 Press and hold the **PTT** button to initiate the Selective Call. The display shows the ID of the target radio.

- 6 Release the **PTT** button to listen.

- 7 Press **H** to return to the Home screen.

Using the Talkgroup Call Feature (Conventional Operation Only)

This feature allows you to define a group of conventional system users so that they can share the use of a conventional channel.

Note: Encryption keys are associated to talkgroups. When talkgroups are associated, encryption keys are changed by changing the active talkgroup. See **Secure Operations** on page 87 for more information.

Selecting a Talkgroup

Procedure:

- 1 < or > to Tgrp.
- 2 Press the **Menu Select** button directly below Tgrp. The display shows the last talkgroup that was selected and stored, Sel and Exit.

- 3 U or D to Preset for the preset preprogrammed talkgroup.
OR
 U or D to the required talkgroup.
OR
 Use the keypad to enter the number of the corresponding talkgroup in the list.
-
- 4 Press the **Menu Select** button directly below Sel to save the currently selected talkgroup and return to the Home screen.
-
- 5 If the encryption key associated to the new talkgroup is erased, you hear a momentary key fail tone and the display shows Key fail.
OR
 If the encryption key that is associated to the new talkgroup is not allowed, you hear a momentary key fail tone and the display shows Illegal key.
-
- 6 Press **H** to return to the Home screen.
-

Sending a Status Call

This feature allows you to send data calls to the dispatcher about a predefined status.

Each status can have up to a 14-character name. A maximum of eight status conditions is possible.

Note: The radio automatically exits the feature, if the feature inactivity timer is enabled, when the radio is left idle and the timer expires. You will hear the Menu Inactive Exit Tone upon feature exit.

Procedure:

Press the preprogrammed **Status** button and proceed to Step 3.

OR

Follow the procedure below.

- 1 < or > to Sts.

- 2 Press the **Menu Select** button directly below Sts.

- 3 The display shows the last acknowledged status call, or the first status in the list.

- 4 U or D to the required status.
OR
 Use the keypad to enter a number corresponding to the location in the status list.

- 5 Press the **PTT** button to send the status.

- 6 When the dispatcher acknowledges, you hear four tones and the display shows Ack received. The radio returns to normal dispatch operation.

OR

If no acknowledgment is received, you hear a low-pitched tone and the display shows No acknowledge.

- 7 Press **H** to return to the Home screen.
-

*No traffic is heard on trunked channels while Status Call is selected. If the radio detects no Status Call activity for six seconds, you will hear an alert tone until you press **H** or the **PTT** button.*

Using the Dynamic Regrouping Feature (Trunking Only)

This feature allows the dispatcher to temporarily reassign selected radios to a particular channel where they can communicate with each other. This feature is typically used during special operations and is enabled by a qualified radio technician.

You will not notice whether your radio has this feature enabled until a dynamic regrouping command is sent by the dispatcher.

Note: If you try to access a zone or channel that has been reserved by the dispatcher as a dynamically regrouped mode for other users, you hear an invalid tone.

Procedure:

- 1 When your radio is dynamically regrouped, it automatically switches to the dynamically regrouped channel. You hear a “gurgle” tone and the display shows the dynamically regrouped channel’s name.

- 2 Press the **PTT** button to talk. Release **PTT** button to listen.
-

When the dispatcher cancels dynamic regrouping, the radio automatically returns to the zone and channel that you were using before the radio was dynamically regrouped.

Requesting a Reprogram (Trunking Only)

This feature allows you to notify the dispatcher when you want a new dynamic regrouping assignment.

Procedure:

Press the preprogrammed **Reprogram Request** button to send reprogram request to the dispatcher and proceed to Step 3.

OR

Follow the procedure below.

- 1 < or > to Rpgm.

- 2 Press the **Menu Select** button directly below Rpgm to send reprogram request to the dispatcher.
-

- 3 The display shows Reprgrm rqst and Please wait.
-
- 4 If you hear five beeps, the dispatcher has acknowledged the reprogram request. The display shows Ack received and the radio returns to the Home screen.
- OR**
- If the dispatcher does not acknowledge the reprogram request within six seconds, you hear a low-pitched alert tone and the display shows No acknowledge.
- Try again or press **H** to cancel and return to the Home screen.
-

Classifying Regrouped Radios

The dispatcher can classify regrouped radios into either of two categories: **Select Enabled** or **Select Disabled**.

- Select-enabled radios are free to change to any available channel, including the dynamic-regrouping channel, once the user has selected the dynamic-regrouping position.
- Select-disabled radios cannot change channels while dynamically regrouped. The dispatcher has forced the radio to remain on the dynamic-regrouping channel.

The Scan or Private Call feature cannot be selected while your radio is Select Disabled.

■ **Contacts**

This feature provides “address-book” capabilities on your radio. Each entry corresponds to an alias (name) or ID (number) that you use to initiate a call.

Contact entries are alphabetically sorted according to entry alias. Each alias can have up to 5 IDs of different call types associated with it.

Additionally, each entry, depending on context (conventional, trunking, or phone), associates with one or more of the four types of calls: Phone Call, Selective Call, Private Call, or Call Alert.

Each entry within Contacts displays the following information:

- Call Alias (Name)
- Call ID (Number)
- Call Type (Icon)
- WACN ID (Astro 25 Trunking IDs only)
- System ID

Note: Your radio must be preprogrammed to allow you to add, edit, or delete the contact entries.

Your radio also supports a maximum of 50 call lists. Each list can store up to 100 IDs (numbers).

Note: Your radio is preprogrammed with a number of contacts per Call Lists. Check with your dealer or system administrator for more information.

The radio automatically exits the feature, if the feature inactivity timer is enabled, when the radio is left idle and the timer expires. You will hear the Menu Inactive Exit Tone upon feature exit.

Making a Private Call from Contacts

Note: Your radio must be preprogrammed to allow you to use this feature.

Procedure:

Use the Options Menu.

- 1 < or > to Cnts.
- 2 Press the **Menu Select** button directly below Cnts. The entries are alphabetically sorted.
- 3 U or D to the required subscriber alias.
- 4 Press the **Menu Select** button directly below Optn.
- 5 U or D to Call and press the **Menu Select** button directly below Sel.

- 6 U or D to select the call type.
- 7 Hold the radio vertically 1 to 2 inches (2.5 to 5.0 cm) from your mouth.
- 8 Press the **PTT** button to initiate the call. During the call, the display shows the subscriber alias.
- 9 Press and hold the **PTT** button to talk. The LED lights up solid red.
OR
Release the **PTT** button to listen.
- 10 If there is no voice activity for a preprogrammed period of time, the call ends.
OR
The call ends when it reaches the maximum ring time.

OR

Use the **PTT** button.

- 1 < or > to Cnts.
- 2 Press the **Menu Select** button directly below Cnts. The entries are alphabetically sorted.
- 3 U or D to the required subscriber alias.
- 4 < or > to scroll through the available IDs for the selected subscriber alias.

- 5 Hold the radio vertically 1 to 2 inches (2.5 to 5.0 cm) from your mouth.

- 6 Press the **PTT** button to initiate the call. During the call, the display shows the subscriber alias.

- 7 Press and hold the **PTT** button to talk. The LED lights up solid red.
OR
Release the **PTT** button to listen. The LED lights up solid yellow.

- 8 If there is no voice activity for a preprogrammed period of time, the call ends.
OR
The call ends when it reaches the maximum ring time.

Adding a New Contact Entry

Procedure:

- 1 < or > to Cnts.

- 2 Press the **Menu Select** button directly below Cnts. The entries are alphabetically sorted.

- 3 U or D to {New Contact} and press the **Menu Select** button directly below Sel.

- 4 U or D to Name and press the **Menu Select** button directly below Edit.

- 5 The display shows Edit name and a blinking cursor appears.
Use the keypad to enter the name.
Press < to move one space to the left.
Press > to move one space to the right.
Press the **Menu Select** button directly below Del to delete any unwanted characters.
Press * to add a space.
Press O to toggle between mixed case mode, uppercase mode, and lowercase mode.
Press # to toggle between numeric and letter mode.

- 6 Press the **Menu Select** button directly below Ok once you have entered the name.
OR
Press the **Menu Select** button directly below Cncl to return to the previous screen.

- 7 U or D to {Add Number} and press the **Menu Select** button directly below Sel.

- 8 U or D to Number 1 and press the **Menu Select** button directly below Edit.

- 9 The display shows Edit Number 1 and a blinking cursor appears.
Use the keypad to enter the number.
Press < to move one space to the left.
Press > to move one space to the right.
Press the **Menu Select** button directly below Del to delete any unwanted characters.

- 10 Press the **Menu Select** button directly below Ok once you have entered the number.
OR
Press the **Menu Select** button directly below Cncl to return to the previous screen.

- 11 U or D to Type 1 and press the **Menu Select** button directly below Edit.
U or D to the required mode and press the **Menu Select** button directly below Ok.
OR
Repeat Steps 8 through 10 to enter or edit the existing system IDs.
OR
U or D to {Add Number} and press the **Menu Select** button directly below Sel to add a new number. Repeat Steps 8 through 10.

- 12 Press the **Menu Select** button directly below Done once you have finished.

- 13 The display shows <Entry> Stored, confirming that the contact entry has been added.

- 14 The radio returns to the main Contacts screen.

Deleting a Contact Entry

Procedure:

- 1 < or > to Cnts.
- 2 Press the **Menu Select** button directly below Cnts. The entries are alphabetically sorted.
- 3 U or D to the entry you want to delete and press the **Menu Select** button directly below Optn.
- 4 U or D to Delete and press the **Menu Select** button directly below Sel.
- 5 The display shows <Entry> confirm del?.
- 6 Select Yes to delete the entry.
The display shows <Entry> deleted and the radio returns to the main screen for Contacts.
OR
Select No to return to the main screen for Contacts.

Adding a Contact to a Call List

Procedure:

- 1 < or > to Cnts.
- 2 Press the **Menu Select** button directly below Cnts. The entries are alphabetically sorted.
- 3 U or D to the entry you want to add to a call list and press the **Menu Select** button directly below Optn.
- 4 U or D to Add to CallLst and press the **Menu Select** button directly below Sel.
- 5 U or D to the required Call List and press the **Menu Select** button directly below Add.
OR
U or D to Cncl to return to the main display for Contacts.
- 6 The display momentarily shows Please wait before showing <Entry> added, confirming the addition of the contact to the list.
- 7 The radio returns to the main display for Contacts.

Removing a Contact from a Call List

Procedure:

- 1 < or > to Cnts.
- 2 Press the **Menu Select** button directly below Cnts. The entries are alphabetically sorted.
- 3 U or D to the entry you want to remove from a call list and press the **Menu Select** button directly below Optn.
- 4 U or D to Rm frm CallLst and press the **Menu Select** button directly below Sel.
- 5 The display shows <Entry> remove?.
- 6 Press the **Menu Select** button directly below Yes to remove the entry from the Call List.
OR
Press the **Menu Select** button directly below No to return to the main display for Contacts.
- 7 The display momentarily shows Please wait before showing <Entry> removed, confirming the removal of the contact from the list.
- 8 The radio returns to the main display for Contacts.

Editing a Contact in a Call List

Editing an Entry Alias

Procedure:

- 1 < or > to Cnts.
- 2 Press the **Menu Select** button directly below Cnts. The entries are alphabetically sorted.
- 3 U or D to the entry you want to edit and press the **Menu Select** button directly below Optn.
- 4 U or D to Edit and press the **Menu Select** button directly below Sel.
- 5 U or D to the entry alias you wish to change and press the **Menu Select** button directly below Edit.
- 6 A blinking cursor appears.
Use the keypad to edit the name.
Press < to move one space to the left.
Press > to move one space to the right.
Press the **Menu Select** button directly below Del to delete any unwanted characters.
Press * to add a space.
Press O to toggle between mixed case mode, uppercase mode, and lowercase mode.
Press # to toggle between numeric and letter mode.

- 7 Press the **Menu Select** button directly below Ok once you have finished. The display returns to the Edit Contact screen.
- 8 Press the **Menu Select** button directly below Done to save your changes and return to the main screen for Contacts.

Editing as Entry ID

Procedure:

- 1 < or > to Cnts.
- 2 Press the **Menu Select** button directly below Cnts. The entries are alphabetically sorted.
- 3 U or D to the entry you want to edit and press the **Menu Select** button directly below Optn.
- 4 U or D to Edit and press the **Menu Select** button directly below Sel.
- 5 U or D to the entry ID you wish to change and press the **Menu Select** button directly below Edit.

- 6 A blinking cursor appears. Use the keypad to edit the name. Press < to move one space to the left. Press > to move one space to the right. Press the **Menu Select** button directly below Del to delete any unwanted characters. Press * to add a space. Press O to toggle between mixed case mode, uppercase mode, and lowercase mode. Press # to toggle between numeric and letter mode.
- 7 Press the **Menu Select** button directly below Ok once you have finished. The display returns to the Edit Contact screen.
- 8 Press the **Menu Select** button directly below Done to save your changes and return to the main screen for Contacts.

Editing a Call Type

Procedure:

- 1 < or > to Cnts.
- 2 Press the **Menu Select** button directly below Cnts. The entries are alphabetically sorted.
- 3 U or D to the entry you want to edit and press the **Menu Select** button directly below Optn.
- 4 U or D to Edit and press the **Menu Select** button directly below Sel.
- 5 U or D to Type and press the **Menu Select** button directly below Edit.
- 6 U or D to choose from the list of call types given and press the **Menu Select** button directly below Ok to select.
- 7 The display returns to the Edit Contact screen.
- 8 Press the **Menu Select** button directly below Done to save your changes and return to the main screen for Contacts.

Viewing Details of a Contact

Procedure:

- 1 < or > to Cnts.
- 2 Press the **Menu Select** button directly below Cnts. The entries are alphabetically sorted.
- 3 U or D to the entry you want to view and press the **Menu Select** button directly below Optn.
- 4 U or D to View and press the **Menu Select** button directly below Sel.
- 5 The display shows all the numbers associated with the entry.

■ Scan Lists

Scan lists are created and assigned to individual channels/groups. Your radio scans for voice activity by cycling through the channel/group sequence specified in the scan list for the current channel/group.

Your radio supports different types of Scan Lists:

- Trunking Priority Monitor Scan List
- Conventional Scan List
- Talkgroup Scan List

Please refer to a qualified radio technician for the maximum number of Scan Lists can be programmed in your radio. These lists must be preprogrammed by a qualified radio technician.

Viewing a Scan List

Procedure:

- 1** < or > to ScnL.

- 2** Press the **Menu Select** button directly below ScnL.

- 3** U or D to view the members on the list.

- 4** Press **H** to exit the current display and return to the Home screen.

Editing the Scan List

This feature lets you change scan list members and priorities.

Procedure:

Long press the preprogrammed **Scan List Programming** button (side button) and proceed to Step 3.

OR

Follow the procedure below.

- 1** < or > to ScnL.

- 2** Press the **Menu Select** button directly below ScnL. The display shows the lists that can be changed.

- 3** U or D to the entry you want to edit.

- 4** Press the **Menu Select** button directly below Sel to add and/or change the priority of the currently displayed channel in the scan list.
OR
Press the **Menu Select** button directly below Del to delete the currently displayed channel from the scan list.
OR
Press the **Menu Select** button directly below Rcl to view the next member of the scan list.

- 5 U or D to select more channels to be added or deleted.
OR
Use the keypad to go directly to additional channels to be added or deleted.
-
- 6 Press H to exit scan list programming and return to the Home screen.
-

See **Viewing and Changing the Priority Status** on page 61 for more information on how to add and/or change the priority of the currently displayed channel in the scan list.

Changing the Scan List Status

Procedure:

- 1 Long press the preprogrammed **Scan List Programming** button (side button).

- 2 The display shows the programming mode icon and the first list member.

- 3 U or D to the number you want to edit.

- 4 Press the **Select** button once to add the currently displayed channel to the scan list.
OR
Press the **Select** button one or more times to change the scan list status icon of the currently displayed channel.

- 5 U or D to select more list members whose scan status you want to change.
OR
Use the keypad to go directly to that scan list member.

- 6 Press H to exit scan list programming and return to the Home screen.

Viewing and Changing the Priority Status

Procedure:

- 1 Below the Sel, Del, and Rcl screen, press the **Menu Select** button directly below Sel to view and/or change the priority status of the currently displayed channel.

OR

Below the Sel, Del, and Rcl screen, press the **Select** button one or more times to view and/or change the scan list status icon of the currently displayed channel.

- 2 A Scan icon indicates that the current channel is in the scan list as a non-priority channel. The LED lights up solid green.

OR

A Priority-Two Channel Scan icon indicates that the current channel is in the scan list as the Priority-Two channel. The LED blinks green.

OR

A Priority-One Channel Scan icon indicates that the current channel is in the scan list as the Priority-One channel. The LED rapidly blinks green. You hear all traffic on the Priority-One channel, regardless of traffic on non-priority channels.

OR

No icon indicates that the current channel is deleted from the scan list.

■ Scan

This feature allows you to monitor traffic on different channels by scanning a preprogrammed list of channels.

Turning Scan On or Off

Procedure:

Press the preprogrammed **Scan** button to initiate or stop scan.

OR

Follow the procedure below.

- 1 < or > to Scan.
- 2 Press the **Menu Select** button directly below Scan.
- 3 The display shows Scan off if scan is disabled. Press the **Menu Select** button directly below Scan to enable scan.
OR
The display shows Scan on and the scan status icon if scan is enabled. Press the **Menu Select** button directly below Scan to disable scan.
- 4 The radio returns to the Home screen.

Making a Dynamic Priority Change (Conventional Scan Only)

While the radio is scanning, the dynamic priority change feature allows you to temporarily change any channel in a scan list (except for the Priority-One channel) to the Priority-Two channel.

This change remains in effect until scan is turned off. Scan then reverts to the preprogrammed (original) setting.

Procedure:

- 1 When the radio locks onto the channel designated as the new Priority-Two channel, press the preprogrammed **Dynamic Priority** button.
- 2 The radio continues scanning the remaining channels in the list.

Deleting a Nuisance Channel

If a channel continually generates unwanted calls or noise (termed a “nuisance” channel), you can temporarily remove the unwanted channel from the scan list.

This capability does not apply to priority channels or the designated transmit channel.

Procedure:

- 1 When the radio is locked onto the channel to be deleted, press the preprogrammed **Nuisance Delete** button.
OR
< or > to Nuis. Press the **Menu Select** button directly below Nuis.
- 2 The radio continues scanning the remaining channels in the list.

Restoring a Nuisance Channel

Procedure:

To restore the deleted nuisance channel, do **one** of the following:

- Turn the radio off and then turning it on again.

OR

- Stop and restart a scan via the preprogrammed **Scan** button or menu.

OR

- Change the channel via the **MFK**.

■ Call Alert Paging

This feature allows your radio to work like a pager.

Even if other users are away from their radios, or if they are unable to hear their radios, you can send them an individual Call Alert page. You can also verify if a radio is active on the system.

Depending on how your radio is programmed, when you make an Enhanced Private Call, the radio either automatically sends a call alert page if there is no answer after the maximum ring time, **OR** when you press the **PTT** button.

Note: This feature must be preprogrammed by a qualified radio technician.

Receiving a Call Alert Page

Procedure:

- 1** When you receive a Call Alert page, you hear four repeating alert tones and the LED blinks green.
 - 2** The call received icons blinks and the display shows Page received.
-

*Press any button to clear the Call Alert page. See **Making a Talkgroup Call** on page 41 or **Making a Private Call (Trunking Only)** on page 42 for more information on returning the call.*

Sending a Call Alert Page

Note: The radio automatically exits the feature, if the feature inactivity timer is enabled, when the radio is left idle and the timer expires. You will hear the Menu Inactive Exit Tone upon feature exit.

Procedure:

Press the preprogrammed **Quick Access (One-Touch) Call Alert Paging** button to send a page to the preprogrammed ID and proceed to Step 5.

OR

Follow the procedure below.

- 1 < or > to Page.

- 2 Press the **Menu Select** button directly below Page.

- 3 Press Cnts to scroll through and select the required ID.
OR
U or D to the required ID.
OR
Use the keypad to enter the required ID.

- 4 Press the **PTT** button to send the page.

- 5 The display shows Paging... <Number>.

- 6 If the call alert page is sent successfully, you hear a tone and the display shows Ack received.

OR

If the call alert page is not acknowledged, you hear a low tone and the display shows No acknowledge.

- 7 The radio returns to the Home screen.

OR

Press the **Menu Select** button directly below Ok to return to the main screen for Contacts.

OR

Follow the procedure below.

- 1 < or > to Call.

- 2 Press the **Menu Select** button directly below Call.

- 3 U or D to select the alias or ID, and press the **PTT** button to initiate the call.

- 4 If the target radio does not respond after a preprogrammed period of time, the display shows Send page?.

- 5 Press the **Menu Select** button directly below Yes to send the call alert page.
OR
Press the **Menu Select** button directly below No to exit the screen without sending the call alert page.

- 6 The display shows Paging... <Alias>.

- 7 If the call alert page is sent successfully, you hear a tone and the display shows Ack received.
OR
If the call alert page is not acknowledged, you hear a low tone and the display shows No acknowledge.

- 8 The radio returns to the Home screen.
OR
Press the **Menu Select** button directly below Ok to return to the main screen for Contacts.

■ Emergency Operation

The Emergency feature is used to indicate a critical situation.

If the **Top (Orange)** button is preprogrammed to send an emergency signal, this signal overrides any other communication over the selected channel.

Your radio supports the following Emergency modes:

- Emergency Alarm
- Emergency Call (Trunking Only)
- Emergency Alarm with Emergency Call
- Silent Emergency Alarm

Check with your dealer or system administrator for more information on the programming of this feature.

Only **one** of the Emergency modes above can be assigned to the preprogrammed **Emergency** button.

Note: To exit emergency at any time, press and hold the preprogrammed **Emergency** button for about a second.

Man Down is an alternate way to activate the Emergency feature on the condition the Emergency must be set up for this feature to operate.

See **Man Down** on **page 68** for details.

Sending an Emergency Alarm

This feature allows you to send a data transmission, which identifies the radio sending the emergency, to the dispatcher.

Note: Emergency button press timer by default is set to 1 second. This timer is programmable from 0 – 6 seconds by a qualified technician.

Procedure:

- 1 Press the preprogrammed **Emergency** button.
- 2 The display shows Emergency and the current zone or channel. A short, you hear a medium-pitched tone and the LED momentarily blinks red.
OR
You hear the radio sounds a short low-pitched tone to indicate the selected channel does not support emergency and rejects to launch emergency mode. The display shows No emergency, if the selected channel does not support emergency.
- 3 When you receive the dispatcher's acknowledgment, the display shows Ack received. You hear four tones, the alarm ends, and the radio exits the Emergency Alarm mode.
OR
If no acknowledgement is received, the display shows No acknowledge. The alarm ends and the radio exits the Emergency Alarm mode.

Sending an Emergency Call (Trunking Only)

This feature gives your radio priority access on a channel.

Note: The radio operates in the normal dispatch manner while in Emergency Call, except, if enabled, it returns to one of the following:

- **Tactical/Non-Revert** – You talk on the channel you selected before you entered the emergency state.
- **Non-Tactical/Revert** – You talk on a preprogrammed emergency channel. The emergency alarm is sent on this same channel.

Procedure:

- 1 Press the preprogrammed **Emergency** button.
- 2 The display shows Emergency and the current zone or channel. You hear a short, medium-pitched tone and the LED momentarily blinks red.
OR
The display shows No emergency, if the selected channel does not support emergency.
- 3 Hold the radio vertically 1 to 2 inches (2.5 to 5.0 cm) from your mouth.
- 4 Press and hold the **PTT** button. Speak clearly into the microphone.
- 5 Release the **PTT** button to end the transmission and wait for a response from the dispatcher.

- 6 Press and hold the preprogrammed **Emergency** button for about a second to exit the Emergency Call mode.

Sending an Emergency Alarm with Emergency Call

Procedure:

- 1 Press the preprogrammed **Emergency** button.
- 2 The display shows Emergency and the current zone or channel. You hear a short, medium-pitched tone and the LED momentarily blinks red.
OR
The display shows No emergency, if the selected channel does not support emergency.
- 3 The radio enters the Emergency Call state when:
You receive the dispatcher's acknowledgment. The display shows Ack received.
OR
You receive no acknowledgement. The display shows No acknowledge.
OR
You press the **PTT** button while in the Emergency Alarm mode.
- 4 Hold the radio vertically 1 to 2 inches (2.5 to 5.0 cm) from your mouth.

- 5 Press and hold the **PTT** button. Speak clearly into the microphone.

- 6 Release the **PTT** button to end the transmission and wait for a response from the dispatcher.

- 7 Press and hold the preprogrammed **Emergency** button for about a second to exit the Emergency Call mode.

Sending a Silent Emergency Alarm

This feature allows you to send an Emergency Alarm to another radio without any audio or visual indicators.

Procedure:

- 1 Press the preprogrammed **Emergency** button.
- 2 The display shows no changes, the LED does not light up, and you hear no tones.
- 3 The silent emergency state continues until you:
Press and hold the preprogrammed **Emergency** button for about a second to exit the Silent Emergency Alarm mode.
OR
Press and release the **PTT** button to exit the Silent Emergency Alarm mode and enter regular dispatch or Emergency Call mode.

Note: For **ALL** Emergency signals, when changing channels:

- If the new channel is also preprogrammed for Emergency, you can change channels while in Emergency operation. The emergency alarm or call continues on the new channel.
- If the new channel is **NOT** preprogrammed for Emergency, the display shows No emergency, and you hear an invalid tone until you exit the Emergency state or change to a channel preprogrammed for Emergency.

Using the Emergency Keep-Alive Feature

This feature, when enabled, prevents the radio from being turned off via the **MFK** when the radio is in the Emergency state.

Note: The radio only exits the Emergency state using one of the ways mentioned in the previous sections.

See ***Sending an Emergency Alarm*** on page 66, ***Sending an Emergency Call (Trunking Only)*** on page 66, ***Sending an Emergency Alarm with Emergency Call*** on page 67, or ***Sending a Silent Emergency Alarm*** on page 67.

■ Man Down

Man Down condition is determined based upon the radio tilt angle or a combination of radio tilt angle and the lack of radio motion.

Man Down feature is an alternate way to activate the Emergency feature if Emergency has been programmed in your radio.

Your radio automatically activates Emergency Alarm or Call when the radio achieves or passes a tilt angle threshold or a combination of the angle threshold and radio motion below the motion sensitivity level, depending upon how the radio is programmed. The radio must stay in this condition for a preprogrammed amount of time before the Emergency Alarm or Call is activated.

Note: It is recommended that an Emergency button is preprogrammed in order to allow the user to exit the emergency condition.

The Man Down feature provides a **Clear** function to the user. After a Man Down condition has been detected, the user can press a preprogrammed **Clear** button or preprogrammed Menu Select button to cancel the Man Down condition. The radio remains in the Man Down state without triggering an emergency condition until the radio is moved out of the Man Down state, at which point Man Down functionality resumes.

The Man Down feature has three phases:

- i The radio senses the Man Down condition and **Pre-Alert Timer** is initiated.
- ii Man Down condition continues for the time duration defined in the **Pre-Alert Timer** field. At the end of this time, the radio alerts the user on the Man Down status with an audible alert tone and Man Down text on the screen. The Post-Alert Timer also initiates at this point.
- iii Man Down condition continues for the time duration defined in the **Post-Alert Timer** field. Once the timer expires, the Emergency alarm is transmitted. The Man Down Clear function is used in this phase to cancel the Man Down condition.

The following scenarios affect the timers:

- Pressing the PTT button suspends the Man Down timers; releasing the PTT button reinitiates the Pre-Alert Timer.
- Pressing other buttons on the radio does not impact these timers.
- Repositioning the radio exits the Man Down feature, which stops and resets the timers.
- Pressing a preprogrammed **Clear** button or pressing a Menu Select button preprogrammed for **Clear** stops and resets the timers. The timers do not restart until the radio is repositioned.

Note: Emergency must be set up for this feature to operate. For details on operating the Emergency alerts, please see **Emergency Operation** on page 65.

If the radio is preprogrammed to **horizontal** only, it must be worn in a **vertical** position otherwise the Man Down alert may be inadvertently triggered.

When the radio is programmed with Man Down feature, special care is required when charging the radio with a **wall mounted charger**. See **Handling Your Radio** on page 130 for details.

Pre-Alert Timer

This timer sets the amount of time that a Man Down condition must be present before the radio-user is warned of the Man Down condition.

When the radio detects that it has returned to the vertical position or when the radio detects motion, the Pre-Alert timer stops and is reset.

The Pre-Alert timer reinitiates when the radio detects it is in the horizontal position or motionless again.

Post-Alert Timer

This timer sets the amount of time the radio needs to remain in the Man Down condition before the Emergency alarm is transmitted. When the Post-Alert Timer is initiated, the radio alerts the user with an audible tone and displays the “Man-Down” text.

See *Exiting Man Down Feature* on page 71 to exit Man Down feature.

Alerting User When Man Down Feature is Triggered

The Man Down alert tone volume is directly related to the radio’s volume. Ensure that the radio’s volume is loud enough so that the user does not miss the Post-Alert tone.

Note: If the radio is programmed with Silent Emergency, the radio inhibits the alert tone and visual alert associated with the emergency feature.

Note: If the radio is programmed in Surveillance Mode, the radio inhibits all tones and lights on the radio including the Man Down tones.

Triggering Emergency

When the user does not clear the Man Down condition and the Post-Alert Timer comes to an end, Emergency Alarm or call is triggered. The radio sends emergency message to units within the same Talkgroup. The radio also sends ID number and GPS coordinates to dispatcher if these features are enabled. User can exit Emergency following the Emergency procedure. See *Emergency Operation* on page 65 for details.

Note: At this point the Man Down features is complete. Use normal Emergency procedures to cancel Emergency transmissions.

Exiting Man Down Feature

If you are not in a real Man Down situation, you should exit the Man Down feature and prevent emergency from going off with the following operation.

Procedure:

Repositioning the radio or shaking the radio (when motion sensitivity is enabled).

OR

Press the preprogrammed **Man Down Clear** button to exit.

OR

Press the **Menu Select Button** below CLR to exit.

Re-Initiating Man Down

After exiting the Emergency Operation when the radio is still in Man Down condition (tilted achieving threshold angle or motionless), user must first exit Man Down condition to then re-initiate the Man Down feature.

Procedure:

Return the radio to the vertical position

OR

Shake the radio (when motion sensitivity is enabled).

Testing the Man Down Feature

Note: Enable the Emergency feature with Silent Alarm disabled, but not in Surveillance Mode before running this test on the radio.

Procedure:

When Man Down is enabled on the radio:

- 1 Turn the radio on and place in the vertical position, for at least 5 seconds.

- 2 Lay the radio down in the horizontal position.

- 3 Wait for alert tone.

- 4 The radio alerts with audible tone and displays Man-Down.
OR
If no tone is heard, make sure that the Man Down feature is enabled on your radio. If Man Down feature was not enabled, please enable it and go through steps 1,2 and 3 again.
OR
If the Man Down feature is enabled and no tone is heard, send the radio to a qualified technician.

Handling Man Down Functional Error Messages

Procedure:

- 1 If your radio display shows one of the following error messages: Hardware board absent, Man-Down Hw error or Hw Board Mismatch. Send the radio to the qualified technician to fix this error.

■ Automatic Registration Service (ARS)

This feature provides an automated data application registration for the radio. When you turn on the radio, the device automatically registers with the server.

Data applications within the fixed network can determine the presence of a device on the system and send data to the device. For example: Text Messaging Service (TMS).

The Automatic Registration Service for the radio consists of two (2) modes:

- ARS Server Mode (default mode)
- ARS Non-Server Mode

Note: The default ARS mode can be changed by a qualified radio technician using the radio's programming software.

📄 Selecting or Changing the ARS Mode

Procedure:

Turn the preprogrammed **MFK**, once the zone you want is displayed, to the desired mode.

OR

Follow the procedure below.

- 1 < or > to Chan.

- 2 Press the **Menu Select** button directly below Chan. The display shows the current channel name.

- 3 U or D to the required channel or mode.

- 4 In ARS Server Mode, the display shows the User Login Indicator icon, the zone, and ARS server channel.
OR
In ARS Non-Server Mode, the display shows the User Login Indicator icon, the zone, and ARS non-server channel.
OR
If the channel or mode selected is unprogrammed, the display shows Unprogrammed. Repeat Step 3.

- 5 Press Sel to confirm the displayed channel.

Accessing the User Login Feature

This feature allows you as the user to be associated with the radio. With this association, every data application (Example: Text Messaging Service) takes on a friendly username.

You can still send text messages without logging in as a user. The user login feature only enables the recipient of your message to identify you as the sender by assigning a username to your message.

Note: Valid characters for a username entry are capital letters (A – Z), small letters (a – z), numbers (0 – 9), symbols (*, -, #, /), and the space character.

The maximum length for a username is eight (8) characters. Usernames are not case sensitive in server mode but are case sensitive in non-server mode.

A predefined username may sometimes be invalid because the programming software that is used to set predefined usernames allows you to set usernames comprising of eight (8) characters or more.

Logging In as a User

Procedure:

Press the preprogrammed **User Login** button and proceed to Step 3.

OR

Follow the procedure below.

- 1** < or > to User.

- 2** Press the **Menu Select** button directly below User.

- 3** The display shows the User Login screen.

- 4** U or D to {ID Entry} and press the **Menu Select** button directly below Edit.
A blinking cursor appears beside Id:. Use the keypad to enter a username.
OR
U or D to scroll through the list of predefined usernames. Press the **Menu Select** button directly below Login to select the predefined username.
OR
Press and hold U or D to scroll through the list of predefined usernames at a fast scroll rate.
Press the **Menu Select** button directly below Login to select the predefined username.

- 5** If the selected predefined username has more than eight (8) characters, or an invalid character in it, the display momentarily shows Invalid ID. Repeat Step 4.

OR

A blinking cursor appears beside PIN:.

Use the keypad to enter your Personal Identification Number (PIN) number. The maximum PIN length is 4 digits. The PIN number appears as asterisks.

- 6** Press the **Menu Select** button directly below Logn.

- 7** In ARS Server Mode, the display shows the User Login Indicator icon, the ID, and In progress, with Cncl.

OR

In ARS Non-Server Mode, the display shows the User Login Indicator icon, the ID, and Logged in, with Logt and Exit.

OR

In non-ARS enabled mode, the display shows Offline, with Logt and Exit.

- 8** If the username is invalid, login fails and the user login failure indicator (IP indicator) icon blinks. The display also momentarily shows Login failed. Repeat Step 4.

OR

If the PIN is invalid, login fails and the user login failure indicator (IP indicator) icon blinks. The display also momentarily shows Login failed. Repeat Step 6.

OR

Press the **Menu Select** button directly below Cncl to cancel the login in progress screen and return to the initial user login screen.

OR

Wait for the logged in confirmation screen. If the login process is successful, the display shows the successful user login indicator (IP indicator) icon and Logged in, with Logt and Exit.

Logging Out

Once the data application registration is completed, you can log out.

Procedure:

- 1** Press the **Menu Select** button directly below Logt.
- 2** The display shows the User Login Indicator icon and Clear private data?.
- 3** Select Yes to clear all your private data. The display momentarily shows Private data cleared.

OR

Select No to keep your private data.

Note: Private data refers to all messages in the text messaging inbox, Draft, and Sent folder. The next user is able to access the Inbox, Draft and Sent messages if private data is not deleted.

■ Text Messaging Service (TMS)

This feature allows you to send and receive text messages. The **maximum** length of characters for a text message is **200**.

There are three (3) types of text messages:

- A new text message (free form message).
- A predefined message (quick text message).
- An edited quick text message.

The main menu consists of the following options:

- Inbox
- Compose
- Drafts
- Sent

Note: See **Status Icons** on page 21 for more information on the TMS icons and **TMS Menu Options** on page 25 for more information on each menu option.

☞ Accessing the TMS Features

Note: The radio automatically exits the feature, if the feature inactivity timer is enabled, when the radio is left idle and the timer expires. You will hear the Menu Inactive Exit Tone upon feature exit.

Press the **Menu Select** button directly below Back at any time to return to the previous screen.

Procedure:

Press the preprogrammed **Data Feature** button or the **TMS Feature** button to access the TMS feature screen.

OR

Press and hold the preprogrammed **Data Feature** button or the **TMS Feature** button to access the Inbox.

OR

Follow the procedure below.

- 1** < or > to TMS.

- 2** Press the **Menu Select** button directly below TMS to access the TMS feature screen.

- 3** U or D to scroll through the main menu options.

Composing and Sending a New Text Message

Note: During the uppercase and lowercase mode, multi-tapping the keys only scrolls through the letters. For example, **A->B->C**, **a->b->c**.

During the numeric mode, except for **1**, pressing the keypad only enters the numeric digits. Subsequent presses of the same key inserts the same digit to the text message (no multi-tap).

Procedure:

- 1 < or > to TMS.

- 2 Press the **Menu Select** button directly below TMS to access the TMS feature screen.

- 3 U or D to Compose and press the **Menu Select** button directly below Sel.
OR
Press the **Menu Select** button directly below Exit to return to the Home screen.

- 4 U or D to Text Message and press the **Menu Select** button directly below Sel to compose a new message.

- 5 A blinking cursor appears on the Compose screen. Use the keypad to type or edit your message. Press < to move one space to the left. Press > to move one space to the right. Press the **Menu Select** button directly below Del to delete any unwanted characters. Press * to add a space. Press O to toggle between mixed case mode, uppercase mode, and lowercase mode. Press # to toggle between numeric and letter mode.

- 6 Press the **Menu Select** button directly below Optn once the message is composed.

- 7 U or D to Send Message and press the **Menu Select** button directly below Sel.

- 8 U or D to scroll through the address list and highlight the required address.
OR
U or D to {Other Recpnt} and press the **Menu Select** button below Edit. A blinking cursor appears on the Enter Address screen. Use the keypad to type the address entry. Press < to move one space to the left. Press > to move one space to the right. Press the **Menu Select** button directly below Del to delete any unwanted characters.

Press * to add a space.

Press O to toggle between mixed case mode, uppercase mode, and lowercase mode.

Press # to toggle between numeric and letter mode.

9 Press the **Menu Select** button below Send or the **PTT** button to send the message.

10 The display shows the Send Message screen and Sending msg.

11 If the message is sent, you hear a tone and the display shows Msg sent.

OR

If the message is not sent, you hear a low tone and the display shows Send failed.

If the message fails to send, the radio returns you to the main TMS screen.

Note: You can append a priority status and/or a request reply to your message. See ***Using the Priority Status and Request Reply Features*** on **page 80** for more information.

You can also select the Save to Drafts option to save your message in the Drafts folder to send it at a later time. See ***Accessing the Drafts Folder*** on **page 84** for more information.

Sending a Quick Text Message

Quick Text messages are messages that are predefined and usually consist of messages that are used most frequently.

Each Quick Text message has a **maximum** length of 50 characters.

Procedure:

Press the preprogrammed **Quick Text** button and proceed to Step 4.

OR

Follow the procedure below.

1 < or > to TMS.

2 Press the **Menu Select** button directly below TMS to access the TMS feature screen.

3 U or D to Compose and press the **Menu Select** button directly below Sel.

OR

Press the **Menu Select** button directly below Exit to return to the Home screen.

4 U or D to Quick Text and press the **Menu Select** button directly below Sel for a predefined message.

5 U or D to scroll through the list of messages and press the **Menu Select** button directly below Sel to select the required message.

- 6 The message appears on the Compose screen, with a blinking cursor at the end of it.
Use the keypad to edit the message, if required.
Press < to move one space to the left.
Press > to move one space to the right.
Press the **Menu Select** button directly below Del to delete any unwanted characters.
Press * to add a space.
Press O to toggle between mixed case mode, uppercase mode, and lowercase mode.
Press # to toggle between numeric and letter mode.
-
- 7 Press the **Menu Select** button directly below Optn.
-
- 8 U or D to Send Message and press the **Menu Select** button directly below Sel.
-
- 9 U or D to scroll through the address list and highlight the required address.
OR
U or D to {Other Recpnt} and press the **Menu Select** button below Edit.
A blinking cursor appears on the Enter Address screen.
Use the keypad to type the address entry.
Press < to move one space to the left.
Press > to move one space to the right.
Press the **Menu Select** button directly below Del to delete any unwanted characters.

Press * to add a space.

Press O to toggle between mixed case mode, uppercase mode, and lowercase mode.

Press # to toggle between numeric and letter mode.

-
- 10 Press the **Menu Select** button below Send or the **PTT** button to send the message.
-

- 11 The display shows the Send Message screen and Sending msg.
-

- 12 If the message is sent, you hear a tone and the display shows Msg sent.

OR

If the message is not sent, you hear a low tone and the display shows Send failed.

If the message fails to send, the radio returns you to the main TMS screen.

Note: You can append a priority status and/or a request reply to your message. See ***Using the Priority Status and Request Reply Features*** on **page 80** for more information.

Using the Priority Status and Request Reply Features

Before sending your message, you can append a priority status and/or a request reply to your message.

Appending a Priority Status to a Text Message

Note: The Priority Status icon on a message does not imply that the message gets higher priority over the other messages when it is being transmitted. It is just an indication that can be embedded into a message to let the receiver know that the message is important.

Procedure:

After the outgoing message is composed (see *Composing and Sending a New Text Message* on page 77 for more information):

- 1 Press the **Menu Select** button directly below Optn.
- 2 U or D to Mark Important and press the **Menu Select** button directly below Sel to indicate the message as important.
- 3 The priority status icon appears beside the normal message icon on the label bar.

Removing a Priority Status from a Text Message

Procedure:

After the outgoing message is composed (see *Composing and Sending a New Text Message* on page 77 for more information):

- 1 Press the **Menu Select** button directly below Optn.
- 2 U or D to Mark as Normal and press the **Menu Select** button directly below Sel to remove the priority status from the message.
- 3 The display shows the normal message icon on the label bar.

Appending a Request Reply to a Text Message

Procedure:

After the outgoing message is composed (see *Composing and Sending a New Text Message* on page 77 for more information):

- 1 Press the **Menu Select** button directly below Optn.
- 2 U or D to Req Reply and press the **Menu Select** button directly below Sel to request for a reply.
- 3 The request reply icon appears beside the normal message icon on the label bar.

Removing a Request Reply from a Text Message

Procedure:

After the outgoing message is composed (see *Composing and Sending a New Text Message* on page 77 for more information):

- 1 Press the **Menu Select** button directly below Optn.

- 2 U or D to No Req Reply and press the **Menu Select** button directly below Sel to remove the priority status from the message.

- 3 The display shows the normal message icon on the label bar.

Appending a Priority Status and a Reply Request to a Text Message

Procedure:

After the outgoing message is composed (see *Composing and Sending a New Text Message* on page 77 for more information):

- 1 Press the **Menu Select** button directly below Optn.

- 2 U or D to Mark Important and press the **Menu Select** button directly below Sel to indicate the message as important.

AND

U or D to Req Reply and press the **Menu Select** button directly below Sel to request for a reply.

- 3 The priority status and request reply icons appear beside the normal message icon on the label bar.

Removing a Priority Status and a Reply Request from a Text Message

Procedure:

After the outgoing message is composed (see *Composing and Sending a New Text Message* on page 77 for more information):

- 1 Press the **Menu Select** button directly below Optn.

 - 2 U or D to Mark as Normal and press the **Menu Select** button directly below Sel to indicate the message as important.
- AND**
- U or D to No Req Reply and press the **Menu Select** button directly below Sel to request for a reply.
-
- 3 The display shows the normal message icon on the label bar.

Managing Text Messages

Receiving a Text Message

Note: When you receive a message that is flagged with the “Request Reply” icon, you must manually respond to the sender that you have received the message. The system will not automatically send back a notification that the radio has received such message.

Procedure:

When you receive a message, press and hold the preprogrammed **Data Feature** button or the **TMS Feature** button to access the Inbox and go to Step 3.

OR

Follow the procedure below.

- 1** The new message icon appears and the display momentarily shows New msg.

- 2** Press the **Menu Select** button directly below TMS to access the Inbox.

- 3** The display shows a list of aliases or IDs, with the sender of the latest received message on top.

Viewing a Text Message from the Inbox

The Inbox can hold up to thirty (30) messages.

Note: U or D to read the message if fills more than one screen.

Procedure:

Press the preprogrammed **Data Feature** button or the **TMS Feature** button to access the TMS feature screen, and proceed to Step 3.

OR

Press and hold the preprogrammed **Data Feature** button or the **TMS Feature** button to access the Inbox and proceed to Step 4.

OR

Follow the procedure below.

- 1** < or > to TMS.

- 2** Press the **Menu Select** button directly below TMS to access the TMS feature screen.

- 3** U or D to Inbox and press the **Menu Select** button below Sel.

- 4 The display shows a list of aliases or IDs, with the sender of the latest received message on top.
- 5 U or D to the required aliases or ID and press the **Menu Select** button below Sel to view the message.

While on the view message screen, press the **Menu Select** button directly below **Optn**, **Del**, or **Back** to access the option.

- Select **Optn** to configure the message settings.
- Select **Del** to delete the message.
- Select **Back** to return to the previous screen.

Note: The icon at the top right corner of the screen indicates the status of the message. See **Text Messaging Service (TMS) Icons** on page 23 for more information.

Replying to a Received Text Message

Note: The original date and time stamp, address and message content is automatically appended to the reply message.

Procedure:

- 1 U or D to the required aliases or ID and press the **Menu Select** button below Sel to view the message.
- 2 Press the **Menu Select** button directly below Rply to reply to a message.

- 3 U or D to Text Message and press the **Menu Select** button directly below Sel.

OR

U or D to Quick Text and press the **Menu Select** button directly below Sel for a predefined message.

OR

U or D to scroll through the list of messages and press the **Menu Select** button directly below Sel to select the required message.

- 4 A blinking cursor appears on the Compose screen.

OR

The predefined message appears on the Compose screen, with a blinking cursor at the end of it.

- 5 Use the keypad to type or edit your message.

Press < to move one space to the left.

Press > to move one space to the right.

Press the **Menu Select** button directly below Del to delete any unwanted characters.

Press * to add a space.

Press O to toggle between mixed case mode, uppercase mode, and lowercase mode.

Press # to toggle between numeric and letter mode.

- 6 Press the **Menu Select** button directly below Optn once you have finished writing the message.

- 7 U or D to Send Message and press the **Menu Select** button directly below Sel to send the message.

- 8 The display shows the Send Message screen and Sending msg.
-

Press the **Menu Select** button directly below **Back** at any time to return to the previous screen.

Note: You can append a priority status and/or a request reply to your message. See **Using the Priority Status and Request Reply Features** on page 80 for more information.

Accessing the Drafts Folder

This folder stores the messages that were saved previously. The Drafts folder can hold up to 10 messages. The oldest draft in the folder is deleted when the 11th message comes in.

Procedure:

- 1 < or > to TMS.

- 2 Press the **Menu Select** button directly below TMS to access the TMS feature screen.

- 3 U or D to Drafts and press the **Menu Select** button below Sel.

- 4 The display shows a list of drafts, with the latest text message drafted on top.

- 5 U or D to the required text message press the **Menu Select** button below Sel to view the message.

Press the **Menu Select** button directly below **Edit**, **Del.**, or **Back** to access the option.

- Select **Edit** to edit the message before sending it.
- Select **Del** to delete the message.
- Select **Back** to return to the previous screen.

Managing Sent Text Messages

Once a message is sent to another radio, it is saved in the Sent folder. The most recent sent text message is always added to the top of the Sent list.

The Sent folder is capable of storing a maximum of ten (10) last sent messages. When the folder is full, the oldest message in the folder is deleted when the 11th message comes in.

Viewing a Sent Text Message

Procedure:

Press the preprogrammed **Data Feature** button or the **TMS Feature** button to access the TMS feature screen, and proceed to Step 3.

OR

Follow the procedure below.

- 1 < or > to TMS.

- 2 Press the **Menu Select** button directly below TMS to access the TMS feature screen.

- 3 U or D to Sent and press the **Menu Select** button below Sel.

- 4 The display shows a list of aliases or IDs, with the recipient of latest sent message on top.

- 5 U or D to the required aliases or ID and press the **Menu Select** button below Sel to view the message.

While on the view message screen, press the **Menu Select** button directly below **Optn**, **Del**, or **Back** to access the option.

- Select **Optn** to configure the message settings.
- Select **Del** to delete the message.
- Select **Back** to return to the previous screen.

Note: The icon at the top right corner of the screen indicates the status of the message. See **Text Messaging Service (TMS) Icons** on page 23 for more information.

Sending a Sent Text Message

Procedure:

- 1 Press the **Menu Select** button directly below Optn while viewing the message.

 - 2 U or D to Send Message and press the **Menu Select** button directly below Sel.

 - 3 U or D to scroll through the address list and highlight the required address.
- OR**
- U or D to {Other Recpnt} and press the **Menu Select** button below Edit.
- A blinking cursor appears on the Enter Address screen. Use the keypad to type the address entry.
- Press < to move one space to the left.
- Press > to move one space to the right.
- Press the **Menu Select** button directly below Del to delete any unwanted characters.
- Press * to add a space.
- Press O to toggle between mixed case mode, uppercase mode, and lowercase mode.
- Press # to toggle between numeric and letter mode.
-

- 4 Press the **Menu Select** button below Send or the **PTT** button to send the message.
- 5 The display shows the Send Message screen and Sending msg.

Press the **Menu Select** button directly below **Back** at any time to return to the previous screen.

Note: You can append a priority status and/or a request reply to your message. See **Using the Priority Status and Request Reply Features** on **page 80** for more information.

Deleting a Text Message

Procedure:

From the Inbox, Draft, or Sent screen:

- 1 U or D to scroll through the messages.
- 2 Press the **Menu Select** button directly below Del to delete the current message.

Deleting All Text Messages

Procedure:

Press the preprogrammed **Data Feature** button or the **TMS Feature** button to access the TMS feature screen, and proceed to Step 3.

OR

Follow the procedure below.

- 1 < or > to TMS.
- 2 Press the **Menu Select** button directly below TMS to access the TMS feature screen.
- 3 U or D to Inbox or Sent then press the **Menu Select** button below Clr to select all messages in the selected folder.
- 4 The display shows Del All?.
- 5 Press the **Menu Select** button directly below Yes to delete all the messages in the selected folder.

OR

Press the **Menu Select** button directly below No to return to the main TMS screen.

■ Secure Operations

Secure radio operation provides the highest commercially available level of voice security on both trunked and conventional channels.

Unlike other forms of security, Motorola digital encryption provides signaling that makes it virtually impossible for others to decode any part of an encrypted message.

Selecting Secure Transmissions

Procedure:

Press the preprogrammed **Secure/Clear** button to the secure position.

Note: If the selected channel is preprogrammed for clear-only operation – when you press the **PTT** button, you hear an invalid mode tone and the display shows Clear TX only.

The radio will not transmit until you set the **Secure/Clear** button to the clear position.

Selecting Clear Transmissions

Procedure:

Press the preprogrammed **Secure/Clear** button to the clear position.

Note: If the selected channel is preprogrammed for secure-only operation – when you press the **PTT** button, you hear an invalid mode tone and the display shows Secure TX only.

The radio will not transmit until you set the **Secure/Clear** button to the secure position.

Managing Encryption

Loading an Encryption Key

Note: Refer to the key-variable loader (KVL) manual for equipment connections and setup.

Procedure:

- 1 Attach the KVL to your radio.
 - 2 The display shows Keyloading, and all other radio functions, except for power down, backlight, and volume, are locked out.
-

3 Select the required keys and press the **Menu Select** button directly below **LOAD** on the KVL. This loads the encryption keys into your radio.

4 When the key has been loaded successfully, you hear a short tone for single-key radios.

OR

When the key has been loaded successfully, you hear an alternating tone for multikey radios.

Using the Multikey Feature

This feature allows the radio to be equipped with different encryption keys and supports the DES-OFB algorithm.

There are two types:

- **Conventional Multikey** – The encryption keys can be tied (strapped), on a one-per-channel basis, through Customer Programming Software. In addition, you can have operator-selectable keys, operator-selectable keysets, and operator-selectable key erasure. If talkgroups are enabled in conventional, then the encryption keys are strapped to the talkgroups.
- **Trunked Multikey** – If you use your radio for both conventional and trunked applications, you have to strap your encryption keys for trunking on a per-talkgroup or announcement-group basis. In addition, you may strap a different key to other features, such as dynamic regrouping, failsoft, or emergency talkgroup. You can have operator-selectable key erasure.

Selecting an Encryption Key

Procedure:

1 < or > to Key.

2 Press the **Menu Select** button directly below Key. The display shows the last user-selected and stored encryption key, and the available menu selections.

3 U or D to scroll through the encryption keys.

OR

Use the keypad to enter the number of the desired key.

4 Press the **Menu Select** button directly below Sel to save the newly selected key and return to the Home screen.

OR

Press **H**, the **PTT** button, or the **Menu Select** button directly below Exit to exit.

OR

Turn the **MFK** to exit.

Note: When the selected key is erased, you hear a momentary keyfail tone and the display shows Key fail.

OR

When the selected key is not allowed, you hear a momentary illegal key tone and the display shows Illegal key.

Selecting a Keypset

This feature allows you to select one or more groups of several encryption keys from among the available keys stored in the radio.

For example, you could have a group of three keys structured to one keyset, and another group of three different keys structured to another keyset; by changing keysets, you would automatically switch from one set of keys to the other.

Every channel to which one of the original keys was tied now has the equivalent new key instead.

Note: Press **H**, the **PTT** button, or the Exit menu selection, or turn the **MFK** to exit this menu at any time without changing the keyset selection.

Procedure:

- 1** < or > to KSet.

- 2** Press the **Menu Select** button directly below KSet. The display shows the last user-selected and stored keyset, and the available keyset menu selections.

- 3** U or D to scroll through the keysets.
OR
Use the keypad to enter the number of the desired keyset.

- 4** Press the **Menu Select** button directly below Sel to save the newly selected keyset.

- 5** The radio exits keyset selection and returns to the Home screen.

Erasing the Selected Encryption Keys

This feature allows you to erase all or selected encryption keys.

Procedure:

- 1** < or > to Erase.

- 2** Press the **Menu Select** button directly below Erase. The display shows the last user-selected and stored encryption key, and the available menu selections.

- 3** U or D to the desired encryption key.
OR
Use the keypad to enter the number of the desired key.

- 4** Press the **Menu Select** button directly below Optn. The display shows the available key erase options.

- 5** U or D to the required option and press the **Menu Select** button directly below Sel.

- 6** At Erase all keys?, press the **Menu Select** button directly below Yes to erase all the encryption keys in the radio **OR** No to return to the previous screen.
OR

At Erase single key?, press the **Menu Select** button directly below Yes to erase the displayed encryption key
OR No to return to the previous screen.

- 7 Press **H**, the **PTT** button, or the **Menu Select** button directly below Exit to exit.

OR

Turn the **MFK** to exit.

OR

Use the preprogrammed **Top Side (Select)** button and **Top (Orange)** button to erase the single key in radios with the single-key option, and to erase all keys in radios with the multikey option.

- 1 Press and hold the **Top Side (Select)** button.
- 2 While holding **Top Side (Select)** button down, press the **Top (Orange)** button.
- 3 The display shows Please wait.
- 4 When all the encryption keys have been erased, the display shows All keys erased.

Note: **DO NOT** press the **Top (Orange)** button before pressing the **Top Side (Select)** button, unless you are in an emergency situation as this sends an emergency alarm.

Requesting an Over-the-Air Rekey (ASTRO Conventional Only)

This feature, also known as **OTAR**, allows the dispatcher to reprogram the encryption keys in the radio remotely. The dispatcher performs the rekey operation upon receiving a rekey request from the user.

Procedure:

- 1 < or > to Rekey.
- 2 Press the **Menu Select** button directly below Rekey.
- 3 Press the **PTT** button to send the rekey request.
OR
 Press the **PTT** button again, or the **Home** or **Emergency** button, to exit the feature and transmit in normal mode.
- 4 If the rekey operation fails, you hear a bad-key tone and the display shows Rekey fail.

Note: The rekey operation failure indicates that your radio does not contain the Unique Shadow Key (USK). This key must be loaded into the radio with the key-variable loader (KVL) before the rekey request can be sent.

Refer to your local key management supervisor for more information.

MDC Over-the-Air Rekeying (OTAR) Page

This feature allows to view or define MDC Over-the-Air Rekeying (OTAR) features. It is applied only when operating in secure encrypted mode and only for conventional communications. In addition to Rekey Requests, OTAR transmissions include Delayed Acknowledgements, and Power-up Acknowledgements.

Some of the options selected may also need to be set up at the Key Management Controller (KMC) site to work properly.

Note: This feature must be preprogrammed by a qualified radio technician. Check with your dealer or system administrator for more information.

Hear Clear

There are two components of Hear Clear.

1 Companding:

Reduces the channel noise, e.g. OTA transmission, that is predominantly present in UHF2 and 900 MHz channel with the following features.

- **Compressor** – reduces the background noise flow and the speech signal at transmitting radio.
- **Expander** – expands the speech while the noise flow remains the same at receiving radio.

2 Random FM Noise Canceller (Flutter Fighter):

Reduces the unwanted effects of random FM noise pulses caused by channel fading under high Signal-to-Noise (S/N) conditions such as in a moving in a transportation. The fading effects, heard as audio pops and clicks, are cancelled without affecting the desired audio signal.

The Random FM Noise Canceller operates only in receive mode.

Note: This feature must be preprogrammed by a qualified radio technician. Check with your dealer or system administrator for more information.

■ Security

Radio Lock

This feature changes your radio to a more robust security system that protects the use of the secure encryption keys.

If this feature is enabled in your radio by a qualified radio technician, when you turn the radio on, the display shows Radio locked.

Unlocking Your Radio

Procedure:

- 1 Enter your numeric password.
Secure-equipped radios – 6 to 8 characters.
Clear radios – 0 to 8 characters.

- 2 Press the **Menu Select** button directly below Sel to enter the code.
OR
Press the **Menu Select** button directly below Del to delete any unwanted characters.
OR
Press the **Menu Select** button directly below Cncl to exit the feature.

- 3 If the password is correct, the radio unlocks.

OR

If the password is incorrect, the display show Incorrect password and the radio remains locked.

*If you enter three incorrect passwords in a row, the display shows **Deadlock**. Turn the radio off and then on, and begin again at Step 1.*

IMPORTANT:

For Secure Radios Only – After a total of 17 consecutive incorrect passwords (turning the radio off and on does not reset this number), the radio erases all of its encryption keys and shows Deadlock. See a qualified radio technician.

If you forget the password, enter ***** to erase all keys and revert the password in the radio back to the default password of 01234567.

Changing Your Password

Procedure:

- 1 < or > to Pswd.

- 2 Press the **Menu Select** button directly below Pswd.

- 3 Enter the old password.

- 4 Press the **Menu Select** button directly below Ok.

- 5 Enter the new password.

6 Press the **Menu Select** button directly below Sel.

7 Re-enter the new password.

8 Press the **Menu Select** button directly below Sel. The password is updated.

OR

If the two passwords do not match, repeat Steps 5 through 8.

Note: If you enter three incorrect old passwords, the radio exits the password feature. You cannot access this feature again until you turn the radio off and on.

Enabling or Disabling the Radio Lock Feature (Secure Radios Only)

This feature allows you to enable or disable the radio lock feature. It is programmable by a qualified radio technician.

Procedure:

1 < or > to Logf.

2 Press the **Menu Select** button directly below Logf.

3 Display shows Pswd enabled, indicating that the radio lock feature is enabled.

OR

Display shows Pswd disabled, indicating that the radio lock feature is disabled.

■ **The Global Positioning System (GPS)**

This feature uses information from the Global Positioning System (GPS) satellites orbiting the Earth to determine the approximate geographical location of your radio, expressed as latitude and longitude. The availability and accuracy of this location information (and the amount of time that it takes to calculate it) varies depending on the environment in which you are using the GPS feature.

For example, GPS location fixes are very difficult to obtain indoors, in covered locations, between high buildings, or in situations where you have not established a clear broad view of the sky.

Understanding the GPS Feature

The GPS technology uses radio signals from earth orbiting satellites, to establish the location coordinates, maximizing your view of clear unobstructed sky is essential for optimum performance.

Where adequate signals from multiple satellites are not available (usually because you cannot establish a view of a wide area of the sky), the GPS feature of your radio will not work. Such situations include but are not limited to:

- In underground locations
- Inside of buildings, trains, or other covered vehicles

- Under any other metal or concrete roof or structure
- Between tall buildings or under dense tree-cover
- In temperature extremes outside the operating limits of your radio

Even where location information can be calculated in such situations, it may take longer to do so, and your location estimate may not be as accurate. Therefore, in any emergency situation, always report your location to your dispatcher.

Note: Even where adequate signals from multiple satellites are available, your GPS feature only provides an approximate location, usually within 20 meters from your actual location, but sometimes further away.

Keep in mind that the accuracy of the location information and the time it takes to obtain it varies depending upon circumstances, particularly the ability to receive signals from an adequate number of satellites.

Note: The satellites used by the GPS feature are controlled by the U.S. government and are subject to changes implemented in accordance with the Department of Defense GPS user policy and the Federal Radio Navigation Plan. These changes may affect the performance of the GPS feature on your radio.

Enhancing GPS Performance

Sometimes, the GPS feature may be unable to complete a location calculation successfully. You then see a message indicating that your radio cannot connect to enough visible satellites.

To maximize the ability of your radio to determine a fix, please note the following guidelines:

- For your initial fix, hold the radio in the face position.
- Stay in the open. The GPS feature works best where there is nothing between your radio and a large amount of open sky.

The Outdoor Location Feature (Using GPS)

This feature allows you to determine your current location using a location menu, as well as your current distance and bearing in relation to another location. Radio location may be requested and reported over-the-air.

Your radio stores up to a maximum of sixty (60) programmable location coordinates, also known as waypoints. When the memory is full, the next waypoints automatically replaces the oldest waypoints in the radio.

The radio also stores four (4) preprogrammed waypoints. These coordinates **cannot** be deleted.

Programmable Waypoints	Preprogrammed Waypoints
User-configurable location coordinates.	Fixed location coordinates: <ul style="list-style-type: none"> • Home • Emergency • Last Known Location • Destination
Only the alias is editable, not the coordinates.	The Home and Destination coordinates are editable.
Coordinates can be deleted one at a time, or all at once.	Coordinates cannot be deleted.

Note: The radio automatically exits the feature, if the feature inactivity timer is enabled, when the radio is left idle and the timer expires. You will hear the Menu Inactive Exit Tone upon feature exit.

Accessing the Outdoor Location Feature

Note: An **ON** menu key may be present on the location menu if it is preprogrammed by the dealer or system administrator.

Procedure:

Press the preprogrammed **GPS** button to toggle the Outdoor Location feature on or off.

OR

Follow the procedure below.

- 1 < or > to Loc.

- 2 Press the **Menu Select** button directly below Loc.

- 3 The display shows Location off.

- 4 Press the **Menu Select** button directly below On to obtain a location fix.

OR

 Press the **Menu Select** button directly below Optn. **U** or **D** to Turn On GPS and press the **Menu Select** button directly below Sel.

- 5 The front display shows the latitude, longitude, time and date of the last successful location fix.

- 6 Press the **Menu Select** button directly below Rfsh to obtain a new location fix.

- 7 The top line temporarily displays Please wait while the new location is being determined.
While the new location is being determined, the location signal can be a solid or blinking icon.

- 8 Once the location coordinates are fixed, the display shows the current latitude and longitude, along with the UTC (Zulu) time and date that the location fix was obtained.
The location coordinates are updated automatically every five seconds while the location signal is present.
OR
If the radio fails to get a location fix, the display shows No service and returns to the previous display.

- 9 Press the **Menu Select** button directly below Exit to exit the feature and return to the main screen.
OR
Press **H**, the **PTT** button, or the preprogrammed **GPS** button to return to the Home screen.

The radio also exits the menu if the emergency button is pressed.

Saving a Waypoint

Procedure:

While in the current location display:

- 1 Press the **Menu Select** button directly below Optn.

- 2 **U** or **D** to Save as Waypt and press the **Menu Select** button directly below Sel.
OR
U or **D** to Save as Home and press the **Menu Select** button directly below Sel and proceed to Step 5.
OR
U or **D** to Save as Dest. and press the **Menu Select** button directly below Sel and proceed to Step 5.

- 3 A blinking cursor appears in the Save As Waypt screen. Use the keypad to edit the auto-generated waypoint, if required.
Press **<** to move one space to the left.
Press **>** to move one space to the right.
Press the **Menu Select** button directly below Del to delete any unwanted characters.
Press ***** to add a space.
Press **O** to toggle between mixed case mode, uppercase mode, and lowercase mode.
Press **#** to toggle between numeric and letter mode.
OR

Press the **Menu Select** button directly below Cncl to return to the Location main screen.

- 4 Press the **Menu Select** button directly below Ok once you are done.

 - 5 The display shows saved as <Waypoint name>.

OR
The display shows saved as {Home}.

OR
The display shows saved as {Destination}.

 - 6 Press the **Menu Select** button directly below Exit to exit the feature and return to the main screen.

OR
Press **H**, the **PTT** button, or the preprogrammed **GPS** button to return to the Home screen.
-

Viewing a Saved Waypoint

Procedure:

While in the current location display:

- 1 Press the **Menu Select** button directly below Optn.

 - 2 U or D to Waypoints and press the **Menu Select** button directly below Sel.

 - 3 The display shows a list of waypoints.

 - 4 U or D to scroll through the list.

OR
U or D to select a waypoint to view the location information in full.

 - 5 Press the **Menu Select** button directly below Optn.

 - 6 U or D to View and press the **Menu Select** button directly below Sel to view the latitude, longitude, time and date of the selected waypoint.

 - 7 Press the **Menu Select** button directly below Back to return to the previous screen.

OR
Press **H**, the **PTT** button, or the preprogrammed **GPS** button to return to the Home screen.
-

Editing the Alias of a Waypoint

Procedure:

While in the current location display:

- 1 Press the **Menu Select** button directly below Optn.

- 2 U or D to Waypoints and press the **Menu Select** button directly below Sel.

- 3 The display shows a list of waypoints.

- 4 U or D to the required saved waypoint, and press the **Menu Select** button directly below Optn.

- 5 U or D to Edit name and press the **Menu Select** button directly below Sel.

- 6 A blinking cursor appears in the Edit Name screen.
Use the keypad to edit the alias.
Press < to move one space to the left.
Press > to move one space to the right.
Press the **Menu Select** button directly below Del to delete any unwanted characters.
Press * to add a space.
Press O to toggle between mixed case mode, uppercase mode, and lowercase mode.
Press # to toggle between numeric and letter mode.

- 7 Press the **Menu Select** button directly below Ok once you are done.

OR

Press the **Menu Select** button directly below Cncl to return to the Waypoints main screen.

- 8 The display shows <Waypoint name> Updated and the radio returns to the Waypoints main screen.

 - 9 Press the **Menu Select** button directly below Back to return to the previous screen.
- OR**
Press H, the **PTT** button, or the preprogrammed **GPS** button to return to the Home screen.

Editing the Coordinates of a Waypoint

Note: Only the preprogrammed coordinates of Home and Destination are editable.

Procedure:

While in the current location display:

- 1 Press the **Menu Select** button directly below Optn.

- 2 U or D to Waypoints and press the **Menu Select** button directly below Sel.

- 3 The display shows a list of waypoints.

- 4 U or D to {Home} and press the **Menu Select** button directly below Optn.
OR
U or D to {Destination} and press the **Menu Select** button directly below Optn.

- 5 U or D to Edit Location and press the **Menu Select** button directly below Sel.

- 6 The first number blinks.
Press < to move to the previous number/coordinates.
Press > to move back to the next number/coordinates.
Press the **Menu Select** button directly below Edit to change the number/coordinates.

- 7 A blinking cursor appears in the Edit Location screen.
Press < to move one space to the left.
Press > to move one space to the right.
Press the **Menu Select** button directly below Del to delete any unwanted characters.

- 8 Press the **Menu Select** button directly below Ok once you are done.
OR
Press the **Menu Select** button directly below Cncl to return to the previous screen.

- 9 Press the **Menu Select** button directly below Ok once you are done with the new coordinates.

- 10 The display shows {Home} Updated and the radio returns to the Waypoints main screen.
OR
The display shows {Destination} Updated and the radio returns to the Waypoints main screen.

Deleting a Single Saved Waypoint

Procedure:

While in the current location display:

- 1 Press the **Menu Select** button directly below Optn.
- 2 U or D to Waypoints and press the **Menu Select** button directly below Sel.
- 3 The display shows a list of waypoints.
- 4 U or D to the required saved waypoint, and press the **Menu Select** button directly below Optn.
U or D to Edit name and press the **Menu Select** button directly below Del.
OR
Press the **Menu Select** button directly below Del.
- 5 The display shows <Waypoint name> confirm del?.
- 6 Press the **Menu Select** button directly below Yes to delete the waypoint.
OR
Press the **Menu Select** button directly below No to return to the Waypoints main screen.
- 7 The display momentarily shows <Waypoint name> deleted before the radio returns to the Waypoints main screen.

Deleting All Saved Waypoints

Procedure:

While in the current location display:

- 1 Press the **Menu Select** button directly below Optn.
- 2 U or D to Waypoints and press the **Menu Select** button directly below Sel.
- 3 The display shows a list of waypoints.
- 4 U or D to a saved waypoint, and press the **Menu Select** button directly below Optn.
- 5 U or D to Delete All and press the **Menu Select** button directly below Sel.
- 6 The display shows All saved wayp confirm del?.
- 7 Press the **Menu Select** button directly below Yes to delete all waypoints.
OR
Press the **Menu Select** button directly below No to return to the Waypoints main screen.
- 8 The display momentarily shows All saved waypoints deleted before the radio returns to the Waypoints main screen.

You cannot delete any of the preprogrammed waypoints.

Measuring the Distance and Bearing from a Saved Waypoint

Procedure:

While in the current location display:

- 1** Press the **Menu Select** button directly below Optn.

- 2** U or D to Dist frm here and press the **Menu Select** button directly below Sel.

- 3** The display shows a list of waypoints.

- 4** U or D to the required waypoint, and press the **Menu Select** button directly below Sel.

- 5** The display shows the distance and bearing from the current to the selected coordinates.

Using the Location Feature While in Emergency Mode

When the Emergency feature is activated by pressing the emergency button, the radio exits the Location menu and returns to the Home (default) screen so that you can see which channel the emergency signal is going out on.

However, you may re-enter the Location menu while still in emergency mode, provided that Silent Emergency has not been activated.

If you have turned Location off using the **ON/OFF** menu key, it automatically turns back on when Emergency is activated.

If there is a solid location signal during Emergency, the current location and the location information received is saved as Emergency and Last Known Location waypoints, respectively.

■ Trunking System Controls

📄 Using the Failsoft System

The failsoft system ensures continuous radio communications during a trunked system failure. If a trunking system fails completely, the radio goes into failsoft operation and automatically switches to its failsoft channel.

Procedure:

- 1 During failsoft operation, your radio transmits and receives in conventional operation on a predetermined frequency.
- 2 You hear a medium-pitched tone every 10 seconds and the display shows Failsoft.

When the trunking system returns to normal operation, your radio automatically leaves failsoft operation and returns to trunked operation.

📄 Going Out of Range

When your radio goes out of the range of the system, it can no longer lock onto a control channel.

Procedure:

- 1 You hear a low-pitched tone.
AND/OR
The display shows the currently selected zone/channel combination and Out of range.
- 2 Your radio remains in this out-of-range condition until:
It locks onto a control channel.
OR
It locks onto a failsoft channel.
OR
It is turned off.

📄 Using the Site Trunking Feature

If the zone controller loses communication with any site, that site reverts to site trunking.

The display shows the currently selected zone/channel combination and Site trunking.

Note: When this occurs, you can communicate only with other radios within your trunking site.

Locking and Unlocking a Site

This feature allows your radio to lock onto a specific site and not roam among wide-area talkgroup sites. This feature should be used with caution, since it inhibits roaming to another site in a wide-area system.

Procedure:

Use the preprogrammed **Site Lock/Unlock** button to toggle the lock state between locked and unlocked.

OR

Follow the procedure below.

- 1 < or > to Site.

- 2 Press the **Menu Select** button directly below Site.

- 3 Press the **Menu Select** button directly below Lock to lock the site. The display shows Site locked.
OR
Press the **Menu Select** button directly below Unlk to unlock the site. The display shows Site unlocked.

- 4 The radio saves the new site lock state and returns to the Home screen.

Viewing and Changing a Site

This feature allows you to view the name of the current site or forces your radio to change to a new one.

Viewing the Current Site

Procedure:

- 1 Press the preprogrammed **Site Displ/Srch** button.

- 2 The display momentarily shows the name of the current site and its corresponding received signal strength indicator (RSSI).

Changing the Current Site

Procedure:

- 1 Press and hold down the preprogrammed **Site Displ/Srch** button.

- 2 You hear a tone and the display momentarily shows Scanning site.

- 3 When the radio finds a new site, it returns to the Home screen.

■ Mission Critical Wireless - Bluetooth® -

Note: The use of this feature requires the "Full Feature" expansion board together with the Bluetooth Software.

This feature allows your radio to extend its functionality by connecting to external proprietary Motorola Accessories.

The default setting for Bluetooth-enabled radio is Bluetooth ON. See **Turning the Bluetooth Off** on page 105 to turn the Bluetooth OFF.

Note: Your radio must be preprogrammed to allow you to use this feature.

Turning the Bluetooth On

Procedure:

- 1 < or > to BT. Press the **Menu Select** button directly below BT to access the Bluetooth feature screen.
-

- 2 U or D to Status and press the **Menu Select** button directly below On. The display shows Status On, and **b** appears.

OR

The display shows Bluetooth on failed to indicate Bluetooth fails to launch.

- 3 Press the **Menu Select** button directly below Exit to return to the Home screen.
-

OR

- 1 Press the preprogrammed button to turn on the Bluetooth.
-

- 2 You hear a short, medium-pitched tone. The display shows momentary Bluetooth on, and **b** appears.

OR

The display shows Bluetooth on failed to indicate Bluetooth has failed to launch.

Turning the Bluetooth Off

Procedure:

- 1 < or > to BT. Press the **Menu Select** button directly below BT to access the Bluetooth feature screen.
- 2 U or D to Status and press the **Menu Select** button directly below Off. The display shows Status Off, and **b** disappears.
- 3 Press the **Menu Select** button directly below Exit to return to the Home screen.

OR

- 1 Press the preprogrammed button, to turn off the Bluetooth.
- 2 You hear a short, medium-pitched tone. The display shows momentary Bluetooth off, and **b** disappears.

Re-Pair Timer

There are two options for configuring the radio's Bluetooth pairing type. The type defines the duration the radio and the accessory retain the pairing information.

- **Immediate** – (For headset and PTT only.) When the radio and/or device is turned off after pairing, the keys are lost. Due to this, when your radio and your device are turned back on, they are unable to re-connect. The user must re-pair the devices to re-establish a new set of pairing keys. See **Pairing Bluetooth Device with the Radio** on page 107.
- **Infinite** – (For headset, PTT and data devices.) When the radio and/or device are turned off after pairing, keys are NOT lost. When the radio and the device are turned back on, they can resume the Bluetooth connection without user intervention.

Re-Pair Timer Options	Re-Pair Timer Scenarios
Immediate (for headset and PTT only)	<ul style="list-style-type: none"> When the radio is powered OFF, pairing key is lost immediately, and accessory attempts to pair again. If pairing is unsuccessful within the Drop Timer value, the accessory automatically powers OFF. When the accessory is powered OFF, all keys are lost immediately, and the user must re-pair the devices. When the devices lose Bluetooth connection, the devices will attempt to re-establish Bluetooth Connection within the Drop Timer value.
Infinite (for headset, PTT and data devices)	<ul style="list-style-type: none"> When the radio is powered OFF, the accessory attempts to re-establish the Bluetooth Connection for a period of time depending upon the Drop Timer value. If the devices fails to reconnect within the period, the accessory then powers OFF.

 **Bluetooth Drop Timer**

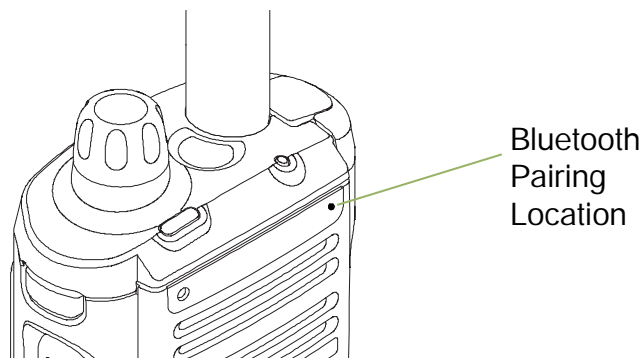
The Bluetooth Drop Timer has two different settings and functions, depending upon the selection of the Re-Pair Timer.

Re-Pair Timer Options	Description
Immediate (for headset and PTT only)	<p>0 – 15 minutes programmable buffer time to re-establish the Bluetooth Connection when the Bluetooth signal is out of range.</p> <p>If either device powers OFF, the pairing keys are immediately cleared from both devices and the devices must re-pair.</p>
Infinite (for headset, PTT and data devices)	<p>This Timer only applies to the accessory. The programmable timer choices are: 0 – 15 minutes, 2 hours, 4 hours or 8 hours.</p> <p>This is a "stay alive" time that the accessory will remain ON without the devices re-connecting before powering off. The radio will remain ON until the user powers the radio OFF. The radio and accessory will remain paired indefinitely. Once the devices re-connect, the timer is reset.</p>

Check with your dealer or system administrator for more information about these timers.

See **Pairing Bluetooth Device with the Radio** on page 107 to establish the Bluetooth Connection.

Pairing Bluetooth Device with the Radio



The range of Bluetooth operation is 10 meters line-of-sight communication. This is an **unobstructed** path between the location of the signal transmitter (your radio) and the location of the receiver (your device or accessory).

Obstacles that can cause an obstruction in the line-of-sight include trees, buildings, mountains, cars and etc.

It is **NOT** recommended that you leave your radio behind and expect your accessory to work with a high degree of reliability when they are separated.

At the fringe areas of reception, both voice and tone quality will start to sound "garbled" or "broken". To correct this problem, simply position the Accessory and Radio closer to each other (within the 10 meter defined range) to re-establish clear audio reception.

Procedure:

Note: Bluetooth tones, Bluetooth menu and preprogrammed buttons must be preprogrammed by a qualified radio technician. Check with your dealer or system administrator for more information.

With your radio's Bluetooth feature ON, and the Bluetooth tones enabled:

- 1 Turn on the accessory, then place it close to your radio aligning the Bluetooth Pairing Location on the radio to the blue dot-pairing indicator on the accessory.

- 2 If the pairing process is successful, you hear an incremental-pitched tone to indicate paired.
OR
If the pairing process fails, you hear a short, low-pitched tone. The display shows Bluetooth alternating with pairing failed. Repeat step 1 again.

- 3 The radio continues to connect to the device.
If the connecting process is successful, you hear an incremental-pitched tone. The display shows <Device Type> alternating with connected, and the Bluetooth icon turns from **b** to **a**.
OR

If the device already have pairing records and the connecting process fails, you hear a short, low-pitched tone. The display shows <Device Type> alternating with connect failed. Repeat step 2 to reconnect the Bluetooth device.

OR

If the connecting process is immediately following the pairing process and the connecting process fails to complete within the 6 seconds, you hear a decremental-pitched tone to indicate unpaired. The display shows <Device Type> alternating with unpaired. Repeat step 1 to re-initiate the pairing process.

 **Indicating Bluetooth Connection is Lost**

The radio shows **a** when the devices have a Bluetooth connection. Below is the scenario and radio indications when the connection is interrupted.

Procedure:

- 1 The **a** starts blinking for up to 10 seconds. You hear a decremental-pitched tone and the display shows <Device Type> alternating with disconnected.

- 2 If the Bluetooth device successfully re-connects before the Bluetooth 10 second Re-Connection Timer expires, the display shows momentary <Device Type> alternating with connected, and **a** stops blinking.

OR

If the Bluetooth device fails to re-connect within 10 seconds, the blinking **a** is replaced by a persistent **b**.

Turning On the Bluetooth Audio (Routing the Audio from the Radio to the Headset)

Procedure:

- 1 < or > to BT. Press the **Menu Select** button directly below BT to access the Bluetooth feature screen.
- 2 U or D to Bluetooth spkr and press the **Menu Select** button directly below On. The display shows On.
- 3 Press the **Menu Select** button directly below Exit to return to the Home screen.

OR

- 1 Short press the preprogrammed button to route the audio routing from the radio to the headset.
- 2 You hear a short, medium-pitched tone. The display shows Headset on.

Turning Off the Bluetooth Audio (Routing the Audio from the Headset to the Radio)

Procedure:

- 1 < or > to BT. Press the **Menu Select** button directly below BT to access the Bluetooth feature screen.
- 2 U or D to Bluetooth spkr and press the **Menu Select** button directly below Off. The display shows Off.
- 3 Press the **Menu Select** button directly below Exit to return to the Home screen.

OR

- 1 Press the preprogrammed button to route the audio routing from the headset to the radio.
- 2 You hear a short, medium-pitched tone. The display shows Speaker on.

Adjusting the Volume of the Radio from Bluetooth Audio Device

Procedure:

With the Bluetooth audio device connected to the radio:

- 1 Adjust volume up/down on the bluetooth audio device.
- 2 You hear a short, medium-pitched tone. The radio display shows volume bars and Volume XX.

Viewing and Clearing the Bluetooth Device Information

Procedure:

- 1 < or > to BT. Press the **Menu Select** button directly below BT to access the Bluetooth feature screen.
- 2 U or D to Devices, once you toggle the highlight to Devices the display shows XX connected alternates with XX paired. Press the **Menu Select** button directly below Sel to see the details.
- 3 The display shows No devices if there are no active Bluetooth devices being paired or connected.
OR
If there are devices being paired or connected, U or D along the <Device Friendly Name> to see the status of each device.
OR

Press the **Menu Select** button directly below Back to return to the previous screen.

- 4 U or D to the required device, press the **Menu Select** button directly below Clr.
- 5 The display shows <Device Friendly Name> clear?.
- 6 Press the **Menu Select** button directly below Yes to proceed.
OR
Press the **Menu Select** button directly below No to return to previous screen.
- 7 The display shows <Device Friendly Name> cleared to indicate clearing is successful.
OR
You hear the radio sounds a short, low-pitched tone. The display shows <Device Friendly Name> clear failed. The display returns to previous screen.
- 8 Press the **Menu Select** button directly below Back to return to the previous screen.

Note: If Re-Pair Timer is set to infinite and you clear keys on the radio, you must clear keys on all previously paired devices as well. (Please see your accessories manual for further details.)

Clearing All Bluetooth Devices Information

Procedure:

Long press the preprogrammed Bluetooth On/Off button. You hear a short, medium-pitched tone. Proceed to step 3.

OR

In the Bluetooth feature screen,

- 1 U or D to Device and press the **Menu Select** button directly below Clr to clear all active Bluetooth devices. You hear a short, medium-pitched tone.

- 2 The display shows Clear all BT devices?. Press the **Menu Select** button directly below Yes to proceed.

- 3 The display shows Please wait to indicate clearing is in progress.

- 4 The display shows All BT devices cleared to indicate clearing is successful.

OR

You hear the radio sounds a short, low-pitched tone. The display shows Clear all BT devices failed. The display returns to Bluetooth feature screen.

Note: If Re-Pair Timer is set to infinite and you clear keys on the radio, you must clear keys on all previously paired devices as well. (Please see your accessories manual for further details.)

Editing the Bluetooth Friendly Name

Note: Your radio must be preprogrammed to allow you to use this feature.

Procedure:

- 1 < or > to BT. Press the **Menu Select** button directly below BT to access the Bluetooth feature screen.

 - 2 U or D to Friendly name and press the **Menu Select** button directly below Edit.

 - 3 A blinking cursor appears in the Friendly Name screen. Use the keypad to edit the text. Press < to move one space to the left. Press > to move one space to the right. Press the **Menu Select** button directly below Del to delete any unwanted characters. Press * to add a space. Press O to toggle between mixed case mode, uppercase mode, and lowercase mode. Press # to toggle between numeric and letter mode.

 - 4 Press the **Menu Select** button directly below Ok to save the new **Friendly Name** and return to the Bluetooth feature screen.
- OR**
- Press the **Menu Select** button directly below Cncl to return to the Bluetooth feature screen.

■ Utilities

Viewing the Recent Calls

This feature allows you to view the recent incoming and outgoing call information of the following call types:

- Call Alert
- Selective Call
- Private Call
- Phone Call (Outgoing Only)
- Emergency Call (Incoming Only)

Note: The radio can also be preprogrammed to log only the radio IDs associated with incoming Dispatch Calls. Check with your dealer or system administrator for more information.

Procedure:

Press the preprogrammed **Recent Calls** button and proceed to Step 3.

OR

Follow the procedure below.

- 1** < or > to Rcnt.
-

- 2** Press the **Menu Select** button directly below Rcnt to access the Recent Calls feature screen.
-

- 3** U or D to scroll through the list.
-

- 4** Press the **Menu Select** button directly below Exit to return to the Home screen.

OR

Press **H** or the **PTT** button to return to the Home screen.

The radio automatically exits the feature, if the feature inactivity timer is enabled, when the radio is left idle and the timer expires. You will hear the Menu Inactive Exit Tone upon feature exit.

Selecting the Power Level

This feature enables you to reduce the transmit power level for specific case that require a lower power level. You can select the power level at which your radio transmits. The radio always turns on to the default setting.

Note: Please refer to your agent or qualified radio technician to enable or disable this feature.

These reduced transmit power level settings do not affect your radio's receiving performance, nor diminish the overall quality of the radio's audio and data functionality given with the following conditions.

Settings:

- Select Low for a shorter transmitting distance and to conserve power.
- Select High for a longer transmitting distance.

Procedure:

Use the preprogrammed **Transmit Power Level button** to toggle the power level between low and high power.

OR

Follow the procedure below.

- 1 < or > to Pwr.
- 2 Press the **Menu Select** button directly below Pwr.
- 3 The display shows Low power and the low power icon.
OR
The display shows High power and the high power icon.

Selecting a Radio Profile

This feature allows you to manually switch the visual and audio settings of the radio. The display, backlight, alert tones, and audio settings are defined according to the preprogrammed radio settings of each radio profile.

Please refer to a qualified technician for more information.

Note: The radio automatically exits the feature, if the feature inactivity timer is enabled, when the radio is left idle and the timer expires. You will hear the Menu Inactive Exit Tone upon feature exit.

Procedure:

Use the preprogrammed **Profile** button and proceed to Step 3.

OR

Follow the procedure below.

- 1** < or > to Prfl.

- 2** Press the **Menu Select** button directly below Prfl to access the Profiles feature screen.

- 3** U or D to scroll through the menu selections.

- 4** Press the **Menu Select** button directly below Sel to select the required radio profile.
OR
Press the **Menu Select** button directly below Exit to exit the screen without making any changes.

- 5** The radio returns to the Home screen. The profile name on the Home screen indicates the current selected radio profile.

 **Enabling and Disabling the Radio Alias**

This feature allows you to display or hide the radio alias (name).

Procedure:

- 1** Press the **Menu Select** button directly below MyID.

- 2** The display momentarily shows Radio ID off, and the radio alias disappears from the Home screen.
OR
The display momentarily shows Radio ID on, and the radio alias appears on the Home screen.

 **Selecting the Audio Speaker**

This feature allows you to select the speaker route for the radio's audio from either the main or the secondary speaker using the radio profile settings.

Note: Your radio must be preprogrammed to allow you to use this feature.

While both speakers function together with the secondary speaker enhancing intelligibility of the received audio during typical radio operation, each speaker has an independently-tuned frequency response and volume level operation.

The secondary speaker also has a "whisper" mode with a modified volume taper for quieter modes of operation.

Note: If an external speaker or microphone accessory is attached to the radio, neither internal speaker is operational as audio is routed to the accessory.

Procedure:

Use the preprogrammed **Profile** button and proceed to Step 3.

OR

Follow the procedure below.

- 1 < or > to Prfl.

 - 2 Press the **Menu Select** button directly below Prfl to access the Profiles feature screen.

 - 3 U or D to scroll through the menu selections.

 - 4 Press the **Menu Select** button directly below Sel to select the radio profile with the required speaker routing.
- OR**
- Press the **Menu Select** button directly below Exit to exit the screen without making any changes.
-
- 5 The radio returns to the Home screen. The profile name on the Home screen indicates the current selected radio profile.

Controlling the Display Backlight

You can enable or disable the radio's display backlight as needed, if poor light conditions make the display or keypad difficult to read.

Depending on how your radio is preprogrammed, you can also maintain a minimum backlight level on the radio's front display.

Note: The backlight setting also affects the Menu Select buttons, the Menu Navigation buttons and the keypad backlighting accordingly.

Procedure:

Press the preprogrammed **Light/Flip** button to toggle the backlight on or off.

OR

Press any key of the keypad, the Menu Select or Menu Navigation buttons, or any programmable radio controls or buttons to turn the backlight on.

Note: The backlight remains on for a preprogrammed time before it automatically turns off completely or returns to the minimum backlight level.

Locking and Unlocking the Keypad and Controls

You can lock your radio's keypad, programmable buttons and MFK to avoid inadvertent entry. Check with your dealer or qualified technician for best selection to suite your usage.

Procedure:

- 1 Toggle the preprogrammed **Keypad Lock** button to on.
- 2 The display shows Kypd/Ctrl Lock.

Toggle again to unlock.

Turning Keypad Tones On or Off

You can enable and disable keypad tones, if needed.

Procedure:

Press the preprogrammed **Keypad Mute** button to turn the tones off or on.

OR

Follow the procedure below.

- 1 < or > to Mute.
- 2 Press the **Menu Select** button directly below Mute.
- 3 The display momentarily shows Tones off, indicating that the keypad tones are disabled.

OR

The display momentarily shows Tones on, and you hear a short tone indicating that the keypad tones are enabled.

Turning Voice Mute On or Off

You can enable and disable voice transmission, if needed.

Procedure:

Press the preprogrammed **Voice Mute** button to turn the feature off or on.

OR

Follow the procedure below.

- 1 < or > to VMut.
- 2 Press the **Menu Select** button directly below VMut.
- 3 The display momentarily shows Voice mute off, and you hear a short tone, indicating that the feature is disabled.

OR

The display momentarily shows Voice mute on, and you hear a short tone, indicating that the feature is enabled.

Using the Time-Out Timer

This feature turns off your radio's transmitter. You cannot transmit longer than the preset timer setting.

If you attempt to do so, the radio automatically stops your transmission, and you hear a talk-prohibit tone.

The timer is defaulted at 60 seconds, but it can be preprogrammed from 3 to 120 seconds, in 15-second intervals, or it can be disabled entirely for each radio mode, by a qualified radio technician.

Note: You will hear a brief, low-pitched, warning tone four seconds before the transmission times out.

Procedure:

- 1 Hold down the **PTT** button longer than the preprogrammed time. You hear a short, low-pitched warning tone, the transmission is cut-off, and the LED goes out until you release the **PTT** button.
- 2 Release the **PTT** button. The timer resets.
- 3 Press the **PTT** button to re-transmit. The time-out timer restarts and the LED lights up solid red.

Setting the Time and Date

You can set the time and date for your radio.

Settings:

- The default time setting is a 12-hour clock. The display shows 12:00AM.
- The AM/PM selection is not available for the 24-hour clock setting.
- The default setting for the domestic date shows MDY.

Note: Check with your dealer or system administrator for additional programmable settings for this feature.

Editing the Time and Date

Procedure:

- 1 < or > to Clck.

- 2 Press the **Menu Select** button directly below Clck. The display shows the current setting of the radio.

- 3 Press the **Menu Select** button directly below Edit. The first item blinks.

- 4 U or D to change the selected item.
OR
< or > one or more times to move to an item you wish to change.
U or D to change the selected item.
OR
Press the **Menu Select** button directly below Exit to exit the screen without making any changes and return to the Home screen.

- 5 Press the **Menu Select** button directly below Ok once you have finished to save your changes and return to the Home screen.
OR
Press the **Menu Select** button directly below Cncl to discard all changes and return to the Home screen.

Press **H** at any time to return to the Home screen without saving your changes.

Note: If a call arrives while the radio is in the clock-setting menu, the radio exits clock setting and displays the call information. Any changes made before the call is **NOT** saved.

Using the Conventional Squelch Operation Features

This feature filters out unwanted calls with low signal strength or channels that have a higher than normal background noise.

Analog Options

Tone Private Line (PL), Digital Private-Line (DPL), and carrier squelch can be available (preprogrammed) per channel.

Mode	Result
Carrier squelch (C)	You hear all traffic on a channel.
PL or DPL	The radio responds only to your messages.

Digital Options

One or more of the following options may be preprogrammed in your radio. Check with your dealer or system administrator for more information.

Option	Result
Digital Carrier-Operated Squelch (COS)	You hear any digital traffic.
Normal Squelch	You hear any digital traffic having the correct network access code.
Selective Switch	You hear any digital traffic having the correct network access code and correct talkgroup.

Using the PL Defeat Feature

This feature allows you to override any coded squelch (DPL or PL) that might be preprogrammed to a channel. The radio will also unmute to any digital activity on a digital channel.

Procedure:

Place the preprogrammed **PL Defeat** button in the PL Defeat position. You hear any activity on the channel.

OR

The radio is muted if no activity is present.

Note: When this feature is active, the Carrier Squelch status indicator is displayed.

Using the Digital PTT ID Feature

This feature allows you to see the radio ID (number) of the radio from whom you are currently receiving a transmission. This ID, consisting up to a maximum of eight characters, can be viewed by both the receiving radio and the dispatcher.

Your radio's ID number is also automatically sent every time the PTT button is pressed. This is a per-channel feature. For digital voice transmissions, your radio's ID is sent continuously during the voice message.

Using the Smart PTT Feature (Conventional Only)

Smart **PTT** is a per-personality, programmable feature used in conventional radio systems to keep radio users from talking over other radio conversations.

When smart **PTT** is enabled in your radio, you cannot transmit on an active channel.

If you try to transmit on an active smart-**PTT** channel, you hear an alert tone, and the transmission is inhibited. The LED lights up solid yellow to indicate that the channel is busy.

Three variations of smart **PTT** are available:

Mode	Description
Transmit Inhibit on Busy Channel with Carrier	You cannot transmit if any traffic is detected on the channel.
Transmit Inhibit on Busy Channel with Wrong Squelch Code	You cannot transmit on an active channel with a squelch code or (if secure-equipped) encryption key other than your own. If the PL code is the same as yours, the transmission is not prevented.
Quick-Key Override	This feature can work in conjunction with either of the two above variations. You can override the transmit-inhibit state by quick-keying the radio. In other words, two PTT button presses within the preprogrammed time limit.

IMPRES™ Battery Annunciator

This feature displays the current capacity and charges cycles of your battery when a IMPRES Battery is powering your radio. This feature must be enabled in your radio to see the information.

The information shown are:

- **Rated Capacity** – Percentage of current battery capacity.
- **Remaining Capacity** – Remaining power of the battery in mAh.
- **Estimated Charges** – Number of charges cycles the battery has gone through.

Accessing the Battery Info screen

Procedure:

- 1 < or > to Batt.
- 2 Press the **Menu Select** button directly below Batt. The display shows the details of the battery.
- 3 U or D to scroll through the various information.
OR
 Press the **Menu Select** button directly below Exit to return to the previous screen.
OR
 Press **H** to return to the Home screen.

Accessing the General Radio Information

Your radio contains information on the following:

- Radio Information
- IP Display
- Control Assignments
- Soft ID (If Enabled)

Note: The radio automatically exits the feature, if the feature inactivity timer is enabled, when the radio is left idle and the timer expires. You will hear the Menu Inactive Exit Tone upon feature exit.

Accessing the Radio Information

This feature displays the following information of your radio:

- Host Version
- Secure Version
- Model Number
- ESN
- Flash Code
- Tuning Version
- Option Board Type (optional)
- Option Board Bluetooth Address (optional)
- Expansion Board Type (optional)
- MFK Secondary Function
- DSP Version
- KG (Secure Algorithm)
- Serial Number
- Flash Size & Type
- RF Band
- Processor Version
- Option Board Serial Number (optional)
- Option Board Software Version (optional)
- MFK Primary Function

Note: Press **H** at any time to return to the Home screen.

Procedure:

Press the preprogrammed **Info** button and proceed to Step 3.

OR

Follow the procedure below.

- 1 < or > to Info.

 - 2 Press the **Menu Select** button directly below Info.

 - 3 U or D to Radio Info and press the **Menu Select** button directly below Sel.

 - 4 The display shows the Information screen.

 - 5 U or D to scroll through the various information.
- OR**
- Press the **Menu Select** button directly below Back to return to the previous screen.
- OR**
- Press **H** to return to the Home screen.
-

 **Viewing the IP Information**

This feature displays the device name, IP address, and status of your radio.

Note: The device name of your radio is preprogrammed. Check with your dealer or system administrator for more information.

Procedure:

Press the preprogrammed **Info** button and proceed to Step 3.

OR

Follow the procedure below.

- 1 < or > to Info.

 - 2 Press the **Menu Select** button directly below Info.

 - 3 U or D to IP Info and press the **Menu Select** button directly below Sel.

 - 4 The display shows the IP Info screen.

 - 5 U or D to scroll through the various information.
- OR**
- Press the **Menu Select** button directly below Back to return to the previous screen.
- OR**
- Press **H** to return to the Home screen.
-

Viewing the Control Assignments

This feature displays the programmable radio functions assigned to the controls of your radio for the currently selected channel.

See **Programmable Features** on page 11 for more information on the various programmable features of your radio.

Procedure:

Press the preprogrammed **Info** button and proceed to Step 3.

OR

Follow the procedure below.

- 1** < or > to Info.

- 2** Press the **Menu Select** button directly below Info.

- 3** U or D to Control map and press the **Menu Select** button directly below Sel.

- 4** The display shows the Control Map screen.

- 5** U or D to scroll through the various information.
OR
Press the **Menu Select** button directly below Back to return to the previous screen.
OR
Press **H** to return to the Home screen.

Editing the Soft ID

This feature allows you to change your username.

Note: Your radio must be preprogrammed to allow you to use this feature.

Procedure:

Press the preprogrammed **Info** button and proceed to Step 3.

OR

Follow the procedure below.

- 1** < or > to Info.

- 2** Press the **Menu Select** button directly below Info.

- 3** U or D to Soft ID and press the **Menu Select** button directly below Sel.

- 4** The display shows the current Soft ID.

- 5** Press the **Menu Select** button directly below Edit to edit the current Soft ID.
OR
Press the **Menu Select** button directly below Back to return to the previous screen.

- 6 A blinking cursor appears in the Edit Soft ID screen.
Use the keypad to edit the text.
Press < to move one space to the left.
Press > to move one space to the right.
Press the **Menu Select** button directly below Del to delete any unwanted characters.
Press * to add a space.
Press O to toggle between mixed case mode, uppercase mode, and lowercase mode.
Press # to toggle between numeric and letter mode.
-
- 7 Press the **Menu Select** button directly below Ok to save the new Soft ID and return to the previous screen.
OR
Press the **Menu Select** button directly below Cncl to return to the previous screen.
-

Voice Announcement

This feature enables the radio to audibly indicate the current feature mode, Zone or Channel the user has just assigned. This audio indicator can be customized per customer requirements. This is typically useful when the user is in a difficult condition to read the content shown on the display.

Each voice announcement is within a limit of three seconds maximum. The sum total duration for all voice announcements in a radio shall be no more than 1000 seconds.

Note: This feature must be preprogrammed by a qualified radio technician.

The features which Voice Announcement supports are:

- Zone
- Channel
- Scan
- PL Disabled
- Talkaround/Direct
- Tx Inhibit

Note: Voice announcements support certain number of zone-channel, but not all.

Seek advice from your dealer or qualified technician for the best selection of this feature.

The two options of priority for the Voice Announcement available are:

- **High** – enables the voice of the feature to announce even when the radio is receiving calls.
- **Low** – disables the voice of the feature from announcing when the radio is receiving calls.

Procedure:

You hear a voice announcement when the features below are preprogrammed in the radio.

- The radio powers up. The radio announces the current zone and channel it is transmitting.
- Press the preprogrammed voice announcement button (which specifically programmed to playback the current zone and channel). The radio announces the current zone and channel it is transmitting.

Note: Pressing this preprogrammed playback button will always enable the voice feature to announce in High priority.

All the three programmable buttons at the side of the radio support this feature.

- Change to a new zone. The radio announces the current zone and channel it is transmitting.
- Change to a new channel remaining within the current zone. The radio announces the current channel.
- Press either the **Menu Select** button or preprogrammed button of the radio to launch or terminate Scan, PL Disabled, Talkaround/Direct or Transmit Inhibit. The radio announces the corresponding feature activation or deactivation.

Helpful Tips

Take a moment to review the following:

Acoustic Safety	page 127
Caring for Your Radio	page 128
Cleaning Your Radio	page 129
Handling Your Radio	page 130
Servicing Your Radio	page 130
Taking Care of the Battery	page 131
Checking the Battery Charge Status	page 131
Battery Recycling and Disposal	page 132

Acoustic Safety



Caution

Exposure to loud noises from any source for extended periods of time may temporarily or permanently affect your hearing. The louder the radio's volume, the less time is required before your hearing could be affected. Hearing damage from loud noise is sometimes undetectable at first and can have a cumulative effect.

To protect your hearing:

- Use the lowest volume necessary to do your job.
- Turn up the volume only if you are in noisy surroundings. Turn down the volume before adding headset or earpiece.
- Limit the amount of time you use headsets or earpieces at high volume.
- When using the radio without a headset or earpiece, do not place the radio's speaker directly against your ear.

- If you experience hearing discomfort, ringing in your ears, or muffled speech, you should stop listening to the radio through your headset or earpiece and have your hearing checked by your doctor.

See www.motorola.com/hearingsafety for more information.

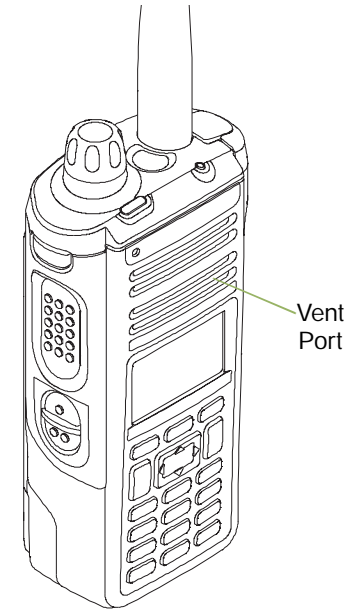
Note: Your radio is preprogrammed to reset to medium volume rate, which is Level 12, by default whenever the radio powers up.

■ Caring for Your Radio



Caution

- Your radio casing has a vent port that allows for pressure equalization in the radio. Never poke this vent with any objects, such as needles, tweezers, or screwdrivers. This could create leak paths into the radio and the radio's submergibility will be lost.



- **(For APX 4000 R Radios Only)**

Your radio is designed to be submerged to a maximum depth of 6 feet, with a maximum submersion time of 2 hours. Exceeding either maximum limit may result in damage to the radio.



Caution

- **(For APX 4000 R Radios Only)** Elastomer technology materials used for seals in rugged portable radios can age with time and environmental exposure. Therefore, Motorola recommends that rugged radios be checked annually as a preventive measure in order to assure the watertight integrity of the radio. Motorola details the disassembly, test, and reassembly procedures along with necessary test equipment needed to inspect, maintain and troubleshoot radio seals in the radio's service manual.
- If the radio battery contact area has been submerged in water, dry and clean the radio battery contacts before attaching a battery to the radio. Otherwise, the water could short-circuit the radio.
- If the radio has been submerged in water, shake the radio well so that any water that may be trapped inside the speaker grille and microphone port can be removed. Otherwise, the water will decrease the audio quality of the radio.
- Do not disassemble the radio. This could damage radio seals and result in leak paths into the radio. Any radio maintenance should be performed only by a qualified radio technician.

Cleaning Your Radio

To clean the external surfaces of your radio:

- 1 Combine one teaspoon of mild dishwashing detergent to one gallon of water (0.5% solution).
- 2 Apply the solution sparingly with a stiff, non-metallic, short-bristled brush, making sure excess detergent does not get entrapped near the connectors, controls or crevices. Dry the radio thoroughly with a soft, lint-free cloth.
- 3 Clean battery contacts with a lint-free cloth to remove dirt or grease.



Caution

Do not use solvents to clean your radio as most chemicals may permanently damage the radio housing and textures.

Do not submerge the radio in the detergent solution.

Handling Your Radio

- Do not pound, drop, or throw the radio unnecessarily. Never carry the radio by the antenna.
- Avoid subjecting the radio to an excess of liquids. Do not submerge the radio unless it is a ruggedized, APX 4000 R model.
- Avoid subjecting the radio to corrosives, solvents or chemicals.
- Do not disassemble the radio.
- Keep the accessory-connector cover in place until ready to use the connector. Replace the cover immediately once the accessory has been disconnected.
- When charging the radio using a wall mounted charger, the radio must be turned off. Otherwise, the **Man Down Alert and Emergency** may be accidentally triggered.

Servicing Your Radio

Proper repair and maintenance procedures will assure efficient operation and long life for this product. A Motorola maintenance agreement will provide expert service to keep this and all other communication equipment in perfect operating condition. A nationwide service organization is provided by Motorola to support maintenance services. Through its maintenance and installation program, Motorola makes available the finest service to those desiring reliable, continuous communications on a contract basis. For a contract service agreement, please contact your nearest Motorola service or sales representative, or an authorized Motorola dealer.

Express Service Plus (ESP) is an optional extended service coverage plan, which provides for the repair of this product for an additional period of either one or two years beyond the normal expiration date of the standard warranty. For more information about ESP, contact the Motorola Radio Support Center at 3761 South Central Avenue, Rockford, IL 61102 (800) 227-6772 / (847)725-4200.

■ Taking Care of the Battery

Checking the Battery Charge Status

Your radio can indicate the battery's charge status through:

- the LED and sounds.
- the fuel gauge icon on the display.


You can also check the battery charge status via the menu entry. See **IMPRES™ Battery Annunciator** on page 121 for more information.






LED and Sounds

When your battery is low:

- the LED blinks red when the **PTT** button is pressed.
- you hear a low-battery “chirp” (short, high-pitched tone).

Fuel Gauge Icon

A blinking fuel gauge icon () is displayed only when the battery voltage drops to low level. In this case, replace the battery with a fully charged one.

Gauge	Battery Charge
	76% to 100% full*
	51% to 75%*
	26% to 50%*
	11% to 25%*
	10% or less (at 10%, the gauge begins blinking)

**These are for IMPRES battery operation only.*

Battery Recycling and Disposal

In the U.S. and Canada, Motorola participates in the nationwide Rechargeable Battery Recycling Corporation (RBRC) program for battery collection and recycling. Many retailers and dealers participate in this program.

For the location of the drop-off facility closest to you, access RBRC's Internet web site at www.rbrc.com or call 1-800-8-BATTERY. This internet site and telephone number also provide other useful information concerning recycling options for consumers, businesses, and governmental agencies.

Accessories

The accessory link below is for the family of products for APX. Not all accessories are FCC certified for operation with all APX models and/or bandsplits. Please refer to the specific subscriber APX price pages for a list of FCC certified accessories or contact your sales representative for accessory compatibility.

<http://www.motorolasolutions.com/APX>

■ Highlights for the Accessories

- 1 **Only** the following programming cables are compatible with APX 4000 radios.
 - APX DMR Port Programming Cable (PMKN4012B)
 - Test and Alignment Programming Cable (PMKN4013C)

Appendix: Maritime Radio Use in the VHF Frequency Range

Take a moment to review the following:

Special Channel Assignments.	page 134
Operating Frequency Requirements.	page 135

Special Channel Assignments

Emergency Channel

If you are in imminent and grave danger at sea and require emergency assistance, use **VHF Channel 16** to send a distress call to nearby vessels and the United States Coast Guard.

Transmit the following information, in this order:

- 1 “MAYDAY, MAYDAY, MAYDAY.”
- 2 “THIS IS _____, CALL SIGN _____.”

*State the name of the vessel in distress **3 times**, followed by the call sign or other identification of the vessel, stated **3 times**.*

- 3 Repeat “MAYDAY” and the name of the vessel.
- 4 “WE ARE LOCATED AT _____.”

State the position of the vessel in distress, using any information that will help responders to locate you, e.g.:

- *latitude and longitude*
- *bearing (state whether you are using true or magnetic north)*
- *distance to a well-known landmark*
- *vessel course, speed or destination*

- 5 State the nature of the distress.
- 6 Specify what kind of assistance you need.
- 7 State the number of persons on board and the number needing medical attention, if any.
- 8 Mention any other information that would be helpful to responders, such as type of vessel, vessel length and/or tonnage, hull color, etc.
- 9 “OVER.”
- 10 Wait for a response.
- 11 If you do not receive an immediate response, remain by the radio and repeat the transmission at intervals until you receive a response. Be prepared to follow any instructions given to you.

Non-Commercial Call Channel

For non-commercial transmissions, such as fishing reports, rendezvous arrangements, repair scheduling, or berthing information, use VHF Channel 9.

■ Operating Frequency Requirements

A radio designated for shipboard use must comply with Federal Communications Commission Rule Part 80 as follows:

- on ships subject to Part II of Title III of the Communications Act, the radio must be capable of operating on the 156.800 MHz frequency
- on ships subject to the Safety Convention, the radio must be capable of operating:
 - in the simplex mode on the ship station transmitting frequencies specified in the 156.025 – 157.425 MHz frequency band, and
 - in the semiduplex mode on the two frequency channels specified in the table below.

Note: Simplex channels 3, 21, 23, 61, 64, 81, 82, and 83 cannot be lawfully used by the general public in US waters.

Additional information about operating requirements in the Maritime Services can be obtained from the full text of FCC Rule Part 80 and from the US Coast Guard.

Table A-1: VHF Marine Channel List

Channel Number	Frequency (MHz)	
	Transmit	Receive
1	156.050	160.650
2	156.100	160.700

Table A-1: VHF Marine Channel List (Continued)

Channel Number	Frequency (MHz)	
	Transmit	Receive
*	156.150	160.750
4	156.200	160.800
5	156.250	160.850
6	156.300	–
7	156.350	160.950
8	156.400	–
9	156.450	156.450
10	156.500	156.500
11	156.550	156.550
12	156.600	156.600
13**	156.650	156.650
14	156.700	156.700
15**	156.750	156.750
16	156.800	156.800
17**	156.850	156.850
18	156.900	161.500
19	156.950	161.550
20	157.000	161.600
*	157.050	161.650
22	157.100	161.700

Table A-1: VHF Marine Channel List (Continued)

Channel Number	Frequency (MHz)	
	Transmit	Receive
*	157.150	161.750
24	157.200	161.800
25	157.250	161.850
26	157.300	161.900
27	157.350	161.950
28	157.400	162.000
60	156.025	160.625
*	156.075	160.675
62	156.125	160.725
63	156.175	160.775
*	156.225	160.825
65	156.275	160.875
66	156.325	160.925
67**	156.375	156.375
68	156.425	156.425
69	156.475	156.475
71	156.575	156.575
72	156.625	–
73	156.675	156.675
74	156.725	156.725

Table A-1: VHF Marine Channel List (Continued)

Channel Number	Frequency (MHz)	
	Transmit	Receive
75	***	***
76	***	***
77**	156.875	–
78	156.925	161.525
79	156.975	161.575
80	157.025	161.625
*	157.075	161.675
*	157.125	161.725
*	157.175	161.775
84	157.225	161.825
85	157.275	161.875
86	157.325	161.925
87	157.375	161.975
88	157.425	162.025

* Simplex channels 3, 21, 23, 61, 64, 81, 82, and 83 **cannot be lawfully used** by the general public in US waters.

** Low power (1 W) only

*** Guard band

Note: A – in the Receive column indicates that the channel is transmit only.

Glossary

This glossary is a list of specialized terms used in this manual.

Term	Definition
ACK	Acknowledgment of communication.
Active Channel	A channel that has traffic on it.
Analog Signal	An RF signal that has a continuous nature rather than a pulsed or discrete nature.
ARS	Automatic Registration Service
ASTRO 25 Trunking	Motorola standard for wireless digital trunked communications.
ASTRO Conventional	Motorola standard for wireless digital conventional communications.
Autoscan	A feature that allows the radio to automatically scan the members of a scan list.
Bluetooth	Bluetooth is an open wireless technology standard for exchanging data over short distances from fixed and mobile devices with high levels of security.

Term	Definition
Bluetooth Pairing	Bluetooth pairing occurs when two bluetooth devices exchanged a passkey to form a paired Bluetooth wireless connection.
Call Alert	Privately page an individual by sending an audible tone.
Carrier Squelch	Feature that responds to the presence of an RF carrier by opening or unmuting (turning on) a receiver's audio circuit. A squelch circuit silences the radio when no signal is being received so that the user does not have to listen to "noise".
Central Controller	A software-controlled, computer-driven device that receives and generates data for the trunked radios assigned to it. It monitors and directs the operations of the trunked repeaters.
Channel	A group of characteristics such as transmit/receive frequency pairs, radio parameters, and encryption encoding.
Control Channel	In a trunking system, one of the channels that is used to provide a continuous, two-way/data communications path between the central controller and all radios on the system.

Term	Definition
Conventional	Typically refers to radio-to-radio communications, sometimes through a repeater (see Trunking).
Conventional Scan List	A scan list that includes only conventional channels.
CP	Codeplug
Cursor	A visual tracking marker (a blinking line) that indicates a location on the display.
Deadlock	Displayed by the radio after three failed attempts to unlock the radio. The radio must be powered off and on prior to another attempt.
Digital Private Line (DPL)	A type of coded squelch using data bursts. Similar to PL except a digital code is used instead of a tone.
Digital Signal	An RF signal that has a pulsed, or discrete, nature, rather than a continuous nature.
Dispatcher	An individual who has radio system management duties.
DSP	Digital Signal Processing

Term	Definition
Dynamic Regrouping	A feature that allows the dispatcher to temporarily reassign selected radios to a single special channel so they can communicate with each other.
DSR	Dynamic System Resilience
EID	Encrypted Integrated Data
ESN	Electrical Serial Number
Failsoft	A feature that allows communications to take place even though the central controller has failed. Each trunked repeater in the system transmits a data word informing every radio that the system has gone into failsoft.
FCC	Federal Communications Commission.
FM	Frequency Modulation
Hang Up	Disconnect.
Home screen	The first display information after the radio completes its self test.
IV & D	Integrated Voice and Data

Term	Definition
KVL	Key-variable loader: A device for loading encryption keys into the radio.
LCD	Liquid crystal display.
LED	Light-emitting diode.
Lilon	Lithium ion.
Man Down	A life-saving feature that senses the radio user may be in trouble by monitoring the whether the radio is in a vertical or horizontal position or whether the radio is motionless. When this feature is triggered, the radio alerts the user with audio and visual alerts. It can also trigger Emergency Alarm the Post-Alert Timer is not cancelled.
MDC	Motorola Data Communication
Menu Entry	A software-activated feature shown at the bottom of the display – selection of these features is controlled by the { , , and } buttons.

Term	Definition
Monitor	Check channel activity by pressing the Monitor button. If the channel is clear, you hear static. If the channel is in use, you hear conversation. It also serves as a way to check the volume level of the radio, since the radio “opens the squelch” when the monitor button is pressed.
Multi-Function Knob	It works as a power on/off button, provides primary and secondary functions like volume change and mode change.
Multi-System Talkgroup Scan List	A scan list that can include both talkgroups (trunked) and channels (conventional).
Network Access Code	Network Access Code (NAC) operates on digital channels to reduce voice channel interference between adjacent systems and sites.
NiMH	Nickel-metal-hydride.
Non-Tactical/ Revert	The user talks on a preprogrammed emergency channel. The emergency alarm is sent out on this same channel.
OTAR	Over-the-air rekeying.
Page	A one-way alert, with audio and/or display messages.

Term	Definition
Personality	A set of unique features specific to a radio.
PIN	Personal Identification Number
Preprogrammed	Refers to a software feature that has been activated by a qualified radio technician.
Private (Conversation) Call	A feature that lets you have a private conversation with another radio user in the talkgroup.
Private Line (PL)	A sub-audible tone that is transmitted such that only receivers decoding the tone receives it.
Programmable	Refers to a radio control that can have a radio feature assigned to it.
PTT	Push-To-Talk – the PTT button engages the transmitter and puts the radio in transmit (send) operation when pressed.
Radio Frequency (RF)	The part of the general frequency spectrum between the audio and infrared light regions (about 10 kHz to 10,000,000 MHz).
Repeater	A conventional radio feature, where you talk through a receive/transmit facility that re-transmits received signals, in order to improve communications range and coverage.

Term	Definition
Selective Call	A feature that allows you to call a select individual, intended to provide privacy and to eliminate the annoyance of having to listen to conversations of no interest to you.
Selective Switch	Any digital P25 traffic having the correct Network Access Code and the correct talkgroup.
Squelch	Special electronic circuitry, added to the receiver of a radio, that reduces, or cuts off, unwanted signals before they are heard in the speaker.
SSI	Synchronous Serial Interface
Standby	An operating condition whereby the radio's speaker is muted but still continues to receive data.
Status Calls	Pre-defined text messages that allow the user to send a conditional message without talking.
Tactical/ Non-Revert	The user talks on the channel that was selected before the radio entered the emergency state.
Talkaround	Bypass a repeater and talk directly to another unit for easy local unit-to-unit communications.

Term	Definition
Talkgroup	An organization or group of radio users who communicate with each other using the same communication path.
TMS	Text Messaging Service
Trunking	The automatic sharing of communications paths between a large number of users (see Conventional).
Trunking Priority Monitor Scan List	A scan list that includes talkgroups that are all from the same trunking system.
USK	Unique Shadow Key.

Term	Definition
UTC	Coordinated Universal Time. The international time standard (formerly Greenwich Mean Time, or GMT). Zero hours UTC is midnight in Greenwich, England, which is located at 0 degrees longitude. Everything east of Greenwich (up to 180 degrees) is later in time; everything west is earlier. There are 42 time authorities around the world that are constantly synchronizing with each other. Abbreviated as UTC (English backronym = Universal Time, Coordinated), it is also known as Zulu (Z) Time.
Zone	A grouping of channels.

Commercial Warranty

Limited Warranty

MOTOROLA COMMUNICATION PRODUCTS

I. WHAT THIS WARRANTY COVERS AND FOR HOW LONG:

MOTOROLA SOLUTIONS INC. ("MOTOROLA") warrants the MOTOROLA manufactured Communication Products listed below ("Product") against defects in material and workmanship under normal use and service for a period of time from the date of purchase as scheduled below:

ASTRO APX 4000 Portable Units	One (1) Year
Product Accessories	One (1) Year

MOTOROLA, at its option, will at no charge either repair the Product (with new or reconditioned parts), replace it (with a new or reconditioned Product), or refund the purchase price of the Product during the warranty period provided it is returned in accordance with the terms of this warranty. Replaced parts or boards are warranted for the balance of the original applicable warranty period. All replaced parts of Product shall become the property of MOTOROLA.

This express limited warranty is extended by MOTOROLA to the original end user purchaser only and is not assignable or transferable to any other party. This is the complete warranty for the

Product manufactured by MOTOROLA. MOTOROLA assumes no obligations or liability for additions or modifications to this warranty unless made in writing and signed by an officer of MOTOROLA.

Unless made in a separate agreement between MOTOROLA and the original end user purchaser, MOTOROLA does not warrant the installation, maintenance or service of the Product.

MOTOROLA cannot be responsible in any way for any ancillary equipment not furnished by MOTOROLA which is attached to or used in connection with the Product, or for operation of the Product with any ancillary equipment, and all such equipment is expressly excluded from this warranty. Because each system which may use the Product is unique, MOTOROLA disclaims liability for range, coverage, or operation of the system as a whole under this warranty.

II. GENERAL PROVISIONS:

This warranty sets forth the full extent of MOTOROLA'S responsibilities regarding the Product. Repair, replacement or refund of the purchase price, at MOTOROLA'S option, is the exclusive remedy. THIS WARRANTY IS GIVEN IN LIEU OF ALL OTHER EXPRESS WARRANTIES. IMPLIED WARRANTIES, INCLUDING WITHOUT LIMITATION, IMPLIED WARRANTIES OF MERCHANTABILITY AND FITNESS FOR A PARTICULAR PURPOSE, ARE LIMITED TO THE DURATION OF THIS LIMITED WARRANTY. IN NO EVENT SHALL MOTOROLA BE LIABLE FOR DAMAGES IN EXCESS OF THE PURCHASE PRICE OF THE PRODUCT, FOR ANY LOSS OF USE, LOSS OF TIME, INCONVENIENCE, COMMERCIAL LOSS, LOST PROFITS OR SAVINGS OR OTHER INCIDENTAL, SPECIAL OR CONSEQUENTIAL DAMAGES ARISING OUT OF THE USE OR

INABILITY TO USE SUCH PRODUCT, TO THE FULL EXTENT SUCH MAY BE DISCLAIMED BY LAW.

III. STATE LAW RIGHTS:

SOME STATES DO NOT ALLOW THE EXCLUSION OR LIMITATION OF INCIDENTAL OR CONSEQUENTIAL DAMAGES OR LIMITATION ON HOW LONG AN IMPLIED WARRANTY LASTS, SO THE ABOVE LIMITATION OR EXCLUSIONS MAY NOT APPLY.

This warranty gives specific legal rights, and there may be other rights which may vary from state to state.

IV. HOW TO GET WARRANTY SERVICE:

You must provide proof of purchase (bearing the date of purchase and Product item serial number) in order to receive warranty service and, also, deliver or send the Product item, transportation and insurance prepaid, to an authorized warranty service location. Warranty service will be provided by MOTOROLA through one of its authorized warranty service locations. If you first contact the company which sold you the Product (e.g., dealer or communication service provider), it can facilitate your obtaining warranty service. You can also call MOTOROLA at 1-800-927-2744 US/Canada.

V. WHAT THIS WARRANTY DOES NOT COVER:

- A) Defects or damage resulting from use of the Product in other than its normal and customary manner.
- B) Defects or damage from misuse, accident, water, or neglect.

- C) Defects or damage from improper testing, operation, maintenance, installation, alteration, modification, or adjustment.
- D) Breakage or damage to antennas unless caused directly by defects in material workmanship.
- E) A Product subjected to unauthorized Product modifications, disassembles or repairs (including, without limitation, the addition to the Product of non-MOTOROLA supplied equipment) which adversely affect performance of the Product or interfere with MOTOROLA's normal warranty inspection and testing of the Product to verify any warranty claim.
- F) Product which has had the serial number removed or made illegible.
- G) Rechargeable batteries if:
 - (1) any of the seals on the battery enclosure of cells are broken or show evidence of tampering.
 - (2) the damage or defect is caused by charging or using the battery in equipment or service other than the Product for which it is specified.
- H) Freight costs to the repair depot.
- I) A Product which, due to illegal or unauthorized alteration of the software/firmware in the Product, does not function in accordance with MOTOROLA's published specifications or the FCC certification labeling in effect for the Product at the time the Product was initially distributed from MOTOROLA.
- J) Scratches or other cosmetic damage to Product surfaces that does not affect the operation of the Product.
- K) Normal and customary wear and tear.

VI. PATENT AND SOFTWARE PROVISIONS:

MOTOROLA will defend, at its own expense, any suit brought against the end user purchaser to the extent that it is based on a claim that the Product or parts infringe a United States patent, and MOTOROLA will pay those costs and damages finally awarded against the end user purchaser in any such suit which are attributable to any such claim, but such defense and payments are conditioned on the following:

- A) that MOTOROLA will be notified promptly in writing by such purchaser of any notice of such claim;
- B) that MOTOROLA will have sole control of the defense of such suit and all negotiations for its settlement or compromise; and
- C) should the Product or parts become, or in MOTOROLA's opinion be likely to become, the subject of a claim of infringement of a United States patent, that such purchaser will permit MOTOROLA, at its option and expense, either to procure for such purchaser the right to continue using the Product or parts or to replace or modify the same so that it becomes non-infringing or to grant such purchaser a credit for the Product or parts as depreciated and accept its return. The depreciation will be an equal amount per year over the lifetime of the Product or parts as established by MOTOROLA.

MOTOROLA will have no liability with respect to any claim of patent infringement which is based upon the combination of the Product or parts furnished hereunder with software, apparatus or devices not furnished by MOTOROLA, nor will MOTOROLA have any liability for the use of ancillary equipment or software not furnished by MOTOROLA which is attached to or used in connection with the Product. The foregoing states the entire liability of MOTOROLA with respect to infringement of patents by the Product or any parts thereof.

Laws in the United States and other countries preserve for MOTOROLA certain exclusive rights for copyrighted MOTOROLA software such as the exclusive rights to reproduce in copies and distribute copies of such MOTOROLA software. MOTOROLA software may be used in only the Product in which the software was originally embodied and such software in such Product may not be replaced, copied, distributed, modified in any way, or used to produce any derivative thereof. No other use including, without limitation, alteration, modification, reproduction, distribution, or reverse engineering of such MOTOROLA software or exercise of rights in such MOTOROLA software is permitted. No license is granted by implication, estoppel or otherwise under MOTOROLA patent rights or copyrights.

VII. GOVERNING LAW:

This Warranty is governed by the laws of the State of Illinois, U.S.A.



MOTOROLA

Motorola Solutions, Inc.
1303 East Algonquin Road
Schaumburg, Illinois 60196 U.S.A.

MOTOROLA, MOTO, MOTOROLA SOLUTIONS and the Stylized M logo are trademarks or registered trademarks of Motorola Trademark Holdings, LLC and are used under license.

All other trademarks are the property of their respective owners.

© 2011 Motorola Solutions, Inc. All rights reserved.

December 2011.



68012004058-C