



# TALKABOUT® TWO-WAY RADIO T1XX SERIES



MN002664A01-EN

MOTOROLA, MOTO, MOTOROLA SOLUTIONS and the Stylized M Logo are trademarks or registered trademarks of Motorola Trademark Holdings, LLC and are used under license. All other trademarks are the property of their respective owners. © 2016 Motorola Solutions, Inc. All rights reserved. Printed in China

## Safety and General Information

### RF Exposure and Product Safety Instructions for Portable Two-Way Radios General Populated and Uncontrolled Environments.

#### ATTENTION:

Before using this radio, refer to the important operating instructions for safe usage and RF energy awareness and control for compliance with applicable Standards and Regulations.

#### Compliance with RF Exposure Standards

Your Motorola Two-Way radio complies with the following RF energy exposure standard and guidelines:

#### United States Federal Communications Commission, Code of Federal Regulations; 47 CFR et seq. & FCC.

- Institute of Electrical and Electronic Engineers (IEEE) C95.1.
- International Commission on Non-Ionizing Radiation Protection (ICNIRP).
- Ministry of Health (Canada) Safety Code 6 & Industry Canada RSS-102.
- Australian Communications Authority Radiocommunications Standard et seq.

#### Transmit and Receive Procedure

Your two-way radio contains a transmitter and a receiver. To control your exposure and ensure compliance with the general population/uncontrolled environment exposure limits, always adhere to the following procedure:

- Transmit no more than 50% of the time.
- To receive calls, release the Push-to-Talk (PTT) button.
- To transmit (talk), press the PTT button in front of the face.
- Hold the radio in a vertical position with the microphone (and other parts of the radio including the antenna) at least one inch (2.5 centimeters) away from the nose or lips. Keeping the radio at a proper distance is important to ensure compliance.

**Note:** RF exposure decreases with increasing distance from the antenna.

- Body Worn Operation. When worn on the body, always place the radio in a Motorola-approved clip, holder, holster, case or body harness for this product.

Please refer to the following websites for more information on what RF energy exposure is and how to control your exposure to assure compliance with established RF exposure limits:

- <http://www.fcc.gov/oet/rfsafety/rf-faqs.html>
- [www.who.int/en/](http://www.who.int/en/)
- <http://responsibility.motorolasolutions.com/index.php/downloads/dow07-rfexposureassessmentstand/>

#### Two-way Radio Operation

- Use only Motorola-approved supplied or replacement antennas, batteries, and audio accessories. Use of non-Motorola-approved antennas, batteries, and wired or wireless accessories may exceed the applicable RF exposure guidelines (IEEE, ICNIRP or FCC).
- For a list of Motorola-approved accessories for your radio model, visit the following website: <http://www.motorolasolutions.com/TalkaboutAccessories>.

#### Electromagnetic Interference/Compatibility

**Note:** Nearly every electronic device is susceptible to electromagnetic interference (EMI) if inadequately shielded, designed or otherwise configured for electromagnetic compatibility.

This device complies with part 15 of the FCC Rules. Operation is subject to the following two conditions:

1. This device may not cause harmful interference, and
2. This device must accept any interference received, including interference that may cause undesired operation.

This device complies with Industry Canada licence-exempt RSS standard(s). Operation is subject to the following two conditions:

1. This device may not cause interference, and
2. This device must accept any interference received, including interference that may cause undesired operation of the device.

#### Facilities

To avoid electromagnetic interference and/or compatibility conflicts, turn off your radio in any facility where posted notices instruct you to do so. Hospitals or health care facilities may be using equipment that is sensitive to external RF energy.

#### Aircraft

When instructed to do so, turn off your radio when onboard an aircraft. Any use of a radio must be in accordance with applicable regulations per airline crew instructions.

#### Medical Devices – Pacemakers, Defibrillators or other Implanted Medical Devices

- Persons with pacemakers, Implantable cardioverter-defibrillators (ICDs) or other active implantable medical devices (AIMD) should:
- Consult with their physicians regarding the potential risk of interference from radio frequency transmitters, such as portable radios (poorly shielded medical devices may be more susceptible to interference).
  - Turn the radio OFF immediately if there is any reason to suspect that interference is taking place.
  - Do not carry the radio in a chest pocket or near the implantation site, and carry or use the radio on the opposite side of their body from the implantable device to minimize the potential for interference.

#### Hearing Aids

Some digital wireless radios may interfere with some hearing aids. In the event of such interference, you may want to consult your hearing aid manufacturer to discuss alternatives.

#### Other Medical Devices

If you use any other personal medical device, consult the manufacturer of your device to determine if it is adequately shielded from RF energy. Your physician may be able to assist you in obtaining this information.

#### Use of Communication Devices While Driving

Always check the laws and regulations on the use of radios in the areas where you drive.

- Give full attention to driving and to the road.
- Use hands-free operation, if available.
- Pull off the road and park before making or answering a call, if driving conditions or regulations so require.

#### For Vehicle With Air Bags

Refer to the vehicle manufacturer's manual prior to installation of electronic equipment to avoid interference with air bag wiring. Do not place a portable radio in the area over an air bag or in the air bag deployment area. Air bags inflate with great force. If a portable radio is placed in the air bag deployment area and the air bag inflates, the radio may be propelled with great force and cause serious injury to occupants of the vehicle.

#### Potentially Explosive Atmosphere

Turn off your radio prior to entering any area with a potentially explosive atmosphere. Only radio types that are especially qualified should be used in such areas as "Intrinsically Safe". Do not remove, install or charge batteries in such areas. Sparks in a potentially explosive atmosphere can cause an explosion or fire resulting in bodily injury or even death.

**Note:**The areas with potentially explosive atmosphere referred to above include fueling areas such as below decks on boats, fuel or chemical transfer or storage facilities, areas where the air contains chemicals or particles (such as grain, dust or metal powders) and any other area where you would normally be advised to turn off your vehicle engine. Areas with potentially explosive atmospheres are often – but not always posted.

#### Blasting Caps and Areas

To avoid possible interference with blasting operations, turn off your radio when you are near electrical blasting caps, in a blasting area, or in areas posted "Turn off two-way radios". Obey all signs and instructions.

#### Operational Cautions

##### Antennas

**Do not use any portable radio that has a damaged antenna.** If a damaged antenna comes into contact with your skin, a minor burn can result.

##### Batteries

All batteries can cause property damage and/or bodily injury such as burns if a conductive material touches exposed terminals. The conductive material may complete an electrical circuit (short circuit) and become hot.

- Exercise care when removing AAA batteries. Do not use sharp or conductive tools to remove these batteries.
- Exercise care in handling any charged battery, particularly when placing it inside a pocket, purse or other container with metal objects.
- Do not discard your battery in a fire.
- Do not replace the battery in any area labeled "Hazardous Atmosphere". Any sparks created in a potentially explosive atmosphere can cause explosion or fire.
- Do not disassemble, crush, puncture, shred or otherwise attempt to change the form of your battery.
- Do not dry a wet battery or damp battery with an appliance or heat source, such as a hair dryer or microwave oven.
- If the radio battery contact area has been submerged in water, dry and clean the battery contacts before attaching the battery to the radio.

## Licensing Information

### USA

Use of GMRS frequencies is subject to the Rules and Regulations of the Federal Communications Commission (FCC). The FCC requires that all operators using GMRS frequencies obtain a radio license before operating their equipment. To obtain the FCC forms, please visit the FCC website at [wireless.fcc.gov/uls/index.htm?job=home](http://wireless.fcc.gov/uls/index.htm?job=home) to source form 605 and 159, which includes all the instructions you will need.

If you wish to have the document faxed or mailed, or if you have questions, please use the following contact information:

| For a fax:<br>Contact the Fax-On-Demand system | For mail service:<br>Call the FCC Forms Hotline | If you have questions<br>about the FCC License:<br>Call the FCC |
|--|---|---|
| 1-202-418-0177                                 | 1-800-418-FORM (3676)                           | 1-888-CALL-FCC (225-5322)                                       |

### Canada

Use of Motorola radio in Canada is subject to the rules & regulations of Industry Canada (IC). IC requires no license when operated in Canada.

Changes or modifications not expressly approved by Motorola Solutions may void the user authority granted by the IC/FCC to operate this radio and should not be made. To comply with IC/FCC requirements, transmitter adjustments should be made only by or under the supervision of a person certified as technically qualified to perform transmitter maintenance and repairs in the private land mobile and fixed services as certified by an organization representative of the user of those services. Replacement of any transmitter component (crystal, semiconductor, etc) not authorized by the IC/FCC equipment authorization for this radio could violate IC/FCC rules.

**Note:** Use of this radio outside the country where it was intended to be distributed is subject to government regulations and may be prohibited.

### Mexico

Use of GMRS frequencies is subject to the Rules and Regulations of the Federal Communications Institute (IFT) requires that all operators using GMRS frequencies obtain a permit before operating their equipment. To obtain a permit from the IFT, the user must proceed in accordance with Articles 14 and 15 of the Federal Telecommunications Law. Consult your local IFT office for more information: [www.ift.org.mx](http://www.ift.org.mx)

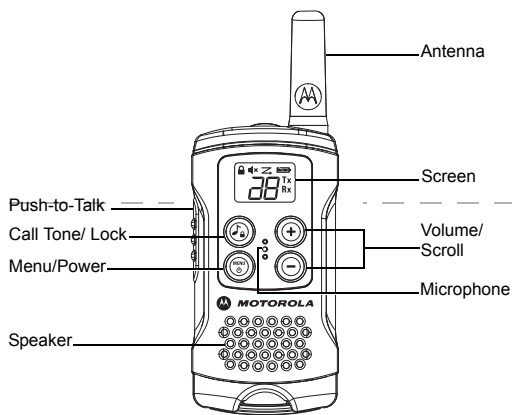
### Uruguay

Use of GMRS frequencies is subject to the Rules and Regulations of the Regulatory Unit Communications Services (URSEC). URSEC requires that all operators using GMRS frequencies obtain a permit before operating their equipment. The authorization shall depend on the channel availability at the time the authorization is requested. To obtain a permit from URSEC, consult your local URSEC office for more information: [www.ursec.gub.uy](http://www.ursec.gub.uy)

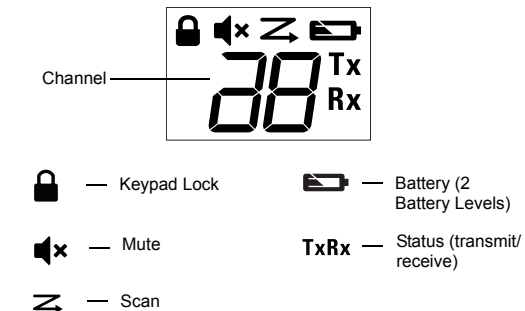
### Panama

The Republic of Panama does not require authorization to use FRS/GMRS radio equipment frequencies.

## Control Buttons



## Display Screen Guide



## Getting Started

### Installing the Batteries

1. Make sure your radio is OFF.
2. To remove the battery compartment door, by pressing the tab at the bottom of the compartment door. Remove the door. Insert 3 AAA batteries into the battery compartment.
3. Replace the battery compartment door.

### Battery Level and Low Battery Alert



This icon will show when battery is low and will blink when battery is extremely low. Replace the batteries immediately.

### Removing the Three AAA Alkaline Batteries

1. Turn the radio off.
2. With the back of the radio facing you, lift the battery cover latch up and remove the cover.
3. Gently remove each alkaline battery by pulling the ribbon attached to the radio.
4. Close the battery cover firmly.

#### Note:

- Exercise care when removing AAA batteries. Do not use sharp or conductive tools to remove either of these batteries.
- Remove the batteries before storing your radio for extended periods of time. Batteries corrode over time and may cause permanent damage to your radio.

### Attaching and Removing the Belt Clip

1. Attach the belt clip to the back of the radio until the clip clicks in place.
2. Attach the belt clip to pocket or belt strap until the clip clicks in place.

#### To Remove

1. Push the release tab on top of the belt clip to release the latch.
2. Pull the belt clip away from the back of the radio.

## Basic Radio Operations

Read this reference guide completely before attempting to operate the unit.

### Turning Your Radio On/Off

Press and hold the MENU/⏸ button to turn your radio ON/OFF.

### Adjusting the Volume

1. Adjust the volume by pressing the ⏪ and ⏩ buttons.
2. When the volume reached level 0, the mute icon 🚫 appears permanently on screen.

### Adjusting the Sound (Key Beeps)

Your radio emits a beep each time one of the buttons is pressed (except the PTT button).

Press and hold the ⏸ button while turning the radio ON to switch the sound OFF.

To turn this sound ON, turn the radio OFF and ON again without pressing the ⏸ button.

### Selecting a Channel

In order to speak to someone, both your radios must be set to the same channel.

#### To select a channel:

1. Press MENU/⏸ one time to enter Menu.
2. Press ⏪ or ⏩ to the required channel. An extended press of ⏪ or ⏩ allows you to scroll through the channel rapidly.
3. Press PTT button to confirm the selection or MENU/⏸ to continue setup.

## Talking and Listening

To communicate, all radios in your group must be set to the same channel.

1. To talk, press and hold the PTT button. When transmitting, the Tx is shown.
  2. When you are finished talking, release the PTT button.
  3. When receiving, the Rx is shown.
- For maximum clarity, hold the radio one inch away from your mouth and speak directly into the microphone. Do not cover the microphone while talking.

### Talk Range

Your radio is designed to maximize performance and improve transmission range. Do not use the radios closer than five feet apart.

### Push-to-Talk Timeout Timer

To prevent accidental transmissions and save battery life, the radio emits a continuous warning tone and stops transmitting if you press the PTT button for 60 continuous seconds.

### Channel Scan Mode

Channel Scan Mode enables your radio to scan for active channels. When activity is detected, your radio lands (stays) on that channel (for two seconds). To transmit on that channel, press the PTT button. When activity on the landed channel ends, your radio continues scanning other channels.

#### To turn the channel scan ON:

1. Press MENU/⏸ two times until 🔄 appears.
2. Press 🎵/🔒 to start scanning. Press MENU/⏸ or PTT to turn OFF Scan mode.

## Key Lock

1. Press and hold 🎵/🔒 until 🔒 appears to lock the keypad.
2. When in lock mode, you can turn the radio on and off, adjust the volume, send a call tone, receive, and transmit. All other functions are locked.
3. Press and hold 🎵/🔒, until 🔒 disappears to unlock the keypad.

### Monitor Mode

Your radio enables you to listen for weak signals on the current channel.

#### To turn the Monitor Mode ON:

1. Press MENU/⏸ three times until the Channel Monitor setting flashes and the Rx appears.
2. Press the 🎵/🔒 button for continuous listening. The Rx icon continues to appear.

#### To turn the Monitor Mode OFF:

1. Press the MENU/⏸ button to return to "Normal" mode. The Rx icon stops appearing.

### Roger Beep

Roger beep sounds to indicate the end of a PTT transmission. It can be heard through the speaker when Key Beep is on. It cannot be heard through the speaker if Key Beep is turned off.

Press and hold the ⏸ button while turning the radio ON to turn the Roger Beep ON. Repeat the step to turn Roger Beep OFF.

### Automatic Power Save

For better battery life, your radio is designed to switch to Power Save mode when there has been no transmissions after three seconds. The radio can receive transmissions in this mode.

## Channels and Frequencies

### USA, Canada, Mexico, Panama, Uruguay

| Channel | Frequency    | Description | Channel | Frequency    | Description |
|---------|--------------|-------------|---------|--------------|-------------|
| 1       | 462.5625 MHz | GMRS/FRS    | 12      | 467.6625 MHz | FRS         |
| 2       | 462.5875 MHz | GMRS/FRS    | 13      | 467.6875 MHz | FRS         |
| 3       | 462.6125 MHz | GMRS/FRS    | 14      | 467.7125 MHz | FRS         |
| 4       | 462.6375 MHz | GMRS/FRS    | 15      | 462.5500 MHz | GMRS        |
| 5       | 462.6625 MHz | GMRS/FRS    | 16      | 462.5750 MHz | GMRS        |
| 6       | 462.6875 MHz | GMRS/FRS    | 17      | 462.6000 MHz | GMRS        |
| 7       | 462.7125 MHz | GMRS/FRS    | 18      | 462.6250 MHz | GMRS        |
| 8       | 467.5625 MHz | FRS         | 19      | 462.6500 MHz | GMRS        |
| 9       | 467.5875 MHz | FRS         | 20      | 462.6750 MHz | GMRS        |
| 10      | 467.6125 MHz | FRS         | 21      | 462.7000 MHz | GMRS        |
| 11      | 467.6375 MHz | FRS         | 22      | 462.7250 MHz | GMRS        |

## Patent and Copyright Information

MOTOROLA, MOTO, MOTOROLA SOLUTIONS and the Stylized M logo are trademarks or registered trademarks of Motorola Trademark Holdings, LLC and are used under license. All other trademarks are the property of their respective owners.

© 2016 Motorola Solutions, Inc. All rights reserved.

## Warranty

### Consumer Two-Way Radio Products and Accessories purchased in the USA, Canada, Mexico, Uruguay, and Panama

#### What Does this Warranty Cover?

Subject to the exclusions contained below, Motorola Solutions, Inc. ("Motorola") warrants the Motorola branded consumer two-way radios that operate via Family Radio Service or General Mobile Radio Service ("Products"), the Motorola branded or certified accessories sold for use with these Products ("Accessories") to be free from defects in materials and workmanship under normal consumer usage for the period(s) outlined below. This limited warranty is the exclusive remedy of a consumer, and applies as follows to new Products and Accessories and purchased by consumers in the United States or Canada, which are accompanied by this written warranty:

#### Who is Covered?

This warranty extends only to the first consumer purchaser, and is not transferable.

#### What will MOTOROLA SOLUTIONS, INC. do?

Motorola Solutions, Inc., at its option, will at no charge repair, replace or refund the purchase price of any Products or Accessories that do not conform to this warranty. We may use functionally equivalent reconditioned/ refurbished/ pre-owned or new Products or Accessories.

#### What Other Limitations Are There?

#### Any Implied Warranties, Including Without Limitation

The implied warranties of merchantability and fitness for a particular purpose, shall be limited to the duration of this limited warranty, otherwise the repair, replacement, or refund as provided under this express limited warranty is the exclusive remedy of the consumers, and is provided in lieu of all other warranties, express or implied. In no event shall Motorola Solutions be liable, whether in contract or tort (including negligence) for damages in excess of the purchase price of the product or accessory, or for any indirect, incidental, special or consequential damages of any kind, or loss of revenue or profits, loss of business, loss of information or other financial loss arising out of or in connection with the ability or inability to use the products or accessories to the full extent these damages may be disclaimed by law.

Some states and jurisdictions do not allow the limitation or exclusion of incidental or consequential damages, or limitation on the length of an implied warranty, so the above limitations or exclusions may not apply to you. This warranty gives you specific legal rights, and you may also have other rights that vary from state to state or from one jurisdiction to another.

| Products Covered   | Length Of Coverage  |
|--|---|
| <b>Products and Accessories</b> as defined above, unless otherwise provided for below:                 | <b>One (1) year</b> from the date of purchase by the first consumer purchaser of the product unless otherwise provided for below. |
| Batteries whose fully charged capacity falls below 80% of their rated capacity and batteries that leak |   |
| <b>Products and Accessories</b> that are repaired or replaced  | <b>The balance of the original warranty or for ninety (90) days</b> from the date returned to the consumer, whichever is longer.  |

## Exclusions From Warranty Coverage

### Normal Wear and Tear:

Periodic maintenance, repair and replacement of Products or Accessories due to normal wear and tear.

### Abuse & Misuse:

Defects or damage that result from: (a) improper operation, storage, misuse or abuse, accident or neglect, such as physical damage (cracks, scratches, etc.) to the surface of the Products and Accessories resulting from misuse; (b) contact with liquid, water, rain, extreme humidity or heavy perspiration, sand, dirt or the like, extreme heat, or food; (c) use of the Products or Accessories for commercial purposes or subjecting the Product or Accessory to abnormal usage or conditions; or (d) other acts which are not the fault of Motorola.

### Use of Non-Motorola branded Products and Accessories:

Defects or damage that result from the use of Non-Motorola branded or certified products, accessories, software or other peripheral equipment.

### Unauthorized Service or Modification:

Defects or damages resulting from service, testing, adjustment, installation, maintenance, alteration, or modification in any way by someone other than Motorola or its authorized service centers.

### Altered Products:

Products or Accessories with (a) serial numbers or date tags that have been removed, altered or obliterated; (b) broken seals or that show evidence of tampering; (c) mismatched board serial numbers; or (d) nonconforming or non-Motorola branded housings, or parts.

### Communication Services:

Defects, damages, or the failure of Products or Accessories due to any communication service or signal you may subscribe to or use with the Products or Accessories.

## How to Obtain Warranty Service or Other Information?

To obtain customer service or information:

### USA and Canada

1-800-448-6686.  
[www.motorolasolutions.com/talkabout](http://www.motorolasolutions.com/talkabout)  
E-mail us at [consumerradio@motorolasolutions.com](mailto:consumerradio@motorolasolutions.com)

### Latin America

Toll free:  
Mexico 001-855-241-8253  
Panama 001-800-205-3867  
Uruguay 598 – 24001716

Toll or long distance:  
Spanish +001-312-725-5372  
English +001-312-725-5368

[motorolasolutions.com/talkabout/es](http://motorolasolutions.com/talkabout/es) (Spanish)

### For Accessories:

Please call the telephone number designated above for the Product with which they are used.

You will receive instructions on how to ship the Products or Accessories at your expense, to Motorola or a Motorola Authorized Repair Center. To obtain service, you must include: (a) a copy of your receipt, bill of sale or other comparable proof of purchase; (b) a written description of the problem; (c) the name of your service provider, if applicable; (d) the name and location of the installation facility (if applicable) and, most importantly; (e) your address and telephone number.

### For more information, please visit us at:

<https://www.facebook.com/MotorolaTalkaboutWalkieTalkies>

</