

TALKABOUT® TWO-WAY RADIO T8XX SERIES



MN004193A01-AA
 MOTOROLA, MOTO, MOTOROLA SOLUTIONS and the Stylized M logo are trademarks or registered trademarks of Motorola Trademark Holdings, LLC and are used under license. All other trademarks are the property of their respective owners. © 2018 Motorola Solutions, Inc. All rights reserved. Printed in

Safety and General Information

Caution
 Before using this radio, read this booklet which contains important operating instructions.
 For information on product details, brochures, user manuals and approved accessories. Please refer to www.motorolasolutions.com.

Compliance with RF Exposure Standards
 National and international regulations require manufacturers to comply with the RF energy exposure limits for portable two-way radios before they can be marketed. Your Motorola Solutions two-way radio is designed, manufactured, and tested to comply with all applicable national and international regulations for human exposure to radio frequency electromagnetic energy.

RF Energy Exposure Awareness and Control Information and Operational Instructions for General Population and Uncontrolled Environment Use

For more information on what RF energy exposure is, see the following websites:
 • <https://www.fcc.gov/>
 • <http://www.who.int/peh-emf/project/en/>
 For additional information, see https://www.motorolasolutions.com/en_us/about/company-overview/corporate-responsibility/governance-and-policies/wirelesscommunication-and-health-faqs.html.

FCC Licensing Information

For a Class B digital device or peripheral, the instructions furnished the user shall include the following or similar statement, placed in a prominent location in the text of the manual:

Note: This equipment has been tested and found to comply with the limits for a Class B digital device, pursuant to part 15 of the FCC Rules. These limits are designed to provide reasonable protection against harmful interference in a residential installation. This equipment generates, uses and can radiate radio frequency energy and, if not installed and used in accordance with the instructions, may cause harmful interference to radio communications. However, there is no guarantee that interference will not occur in a particular installation. If this equipment does cause harmful interference to radio or television reception, which can be determined by turning the equipment off and on, the user is encouraged to try to correct the interference by one or more of the following measures:

- Reorient or relocate the receiving antenna.
- Increase the separation between the equipment and receiver.
- Connect the equipment into an outlet on a circuit different from that to which the receiver is connected.
- Consult the dealer or an experienced radio/TV technician for help.

Operating Instructions

- Transmit no more than 50% of the time. To transmit (talk), press the Push-To-Talk (PTT) button. To receive calls, release the PTT button.
- Hold the radio in a vertical position in front of the face with the microphone (and other parts of the radio including the antenna) at least 1 in. (2.5 cm) away from the nose or lips. Antenna should be kept away from the eye.
- When worn on the body, always place the radio in a Motorola Solutions-approved clip, holder, holster, case, or body harness for this product.
- DO NOT hold the antenna when the radio is transmitting.

- DO NOT use any portable radio that has a damaged antenna. If a damaged antenna comes into contact with your skin, a minor burn can result.
- To ensure continued compliance with applicable RF exposure limits, use only Motorola Solutions-approved, supplied or replacement antennas, batteries, and accessories.
- For a list of Motorola Solutions-approved accessories please refer to your user manual or visit www.motorolasolutions.com

Acoustic Safety

Exposure to loud noises from any source for extended periods of time may temporarily or permanently affect your hearing. The louder the volume of the radio, the sooner your hearing will be affected. Hearing damage from loud noise is sometimes undetectable at first, and can have a cumulative effect. To protect your hearing, follow these precautions:
 • Use the lowest volume necessary to do your job.
 • Turn up the volume only if you are in noisy surroundings.
 • Turn down the volume before putting on a headset or headphones.
 • Limit the amount of time you use a headset or headphones at high volume.
 • When using the radio without a headset or headphones, do not place the speaker of the radio directly against your ear.

Medical Devices

If you use a personal medical device, such as a pacemaker or hearing aid, consult the manufacturer of your device to determine if it is adequately shielded from RF energy. Your physician may be able to assist you in obtaining this information.

Operational Warnings

The following explains the operational warnings:
For Vehicle With Air Bags

	<p>Warning:</p> <ul style="list-style-type: none"> • Refer to vehicle manufacturer's manual prior to installation of electronic equipment to avoid interference with air bag wiring. • DO NOT place a portable radio in the area over an air bag or in the air bag deployment area. Air bags inflate with great force. If a portable radio is placed in the air bag deployment area and the air bag inflates, the radio may be propelled with great force and cause serious injury to occupants of the vehicle.
--	--

Potentially Explosive Atmospheres

	<p>Warning:</p> <ul style="list-style-type: none"> • Use of a radio that is not intrinsically safe in a potentially explosive atmosphere could result in a serious injury, or death. You should only use a certified Intrinsically Safe radio in potentially explosive atmospheres. • Explosive atmospheres refer to hazard classified locations that may contain hazardous gas, vapors, dusts, such as fueling areas below decks on boats, fuel, or chemical transfer storage facilities, and areas where the air contains chemicals or particles such as grain, dust, or metal powders. Areas with potentially explosive atmospheres are often, but not always, posted. • Turn off your radio prior to entering any area with a potentially explosive atmosphere unless it is a radio type specifically certified for use in hazardous location areas. • DO NOT remove, install, or charge batteries in such areas, or remove or install antennas. Sparks in a potentially explosive atmosphere can cause an explosion or fire resulting in bodily injury or even death.
--	---

Blasting Caps and Blasting Areas

	<p>Warning: To avoid possible interference with blasting operations, turn off your radio when you are near electrical blasting caps, in a blasting area, or in areas posted: "Turn off two-way radio." Obey all signs and instructions.</p>
--	--

Batteries

- Charge your battery using the approved Motorola Solutions charger.
- Use the battery in accordance with its water and/or dust Ingress Protection (IP) rating.
- DO NOT discard your battery into a fire.
- DO NOT replace the battery in any area labeled "Hazardous Atmosphere".
- DO NOT disassemble, crush, puncture, shred, or otherwise attempt to change the form of your battery.
- DO NOT dry a wet or damp battery with an appliance or heat source, such as a hair dryer or microwave oven.
- DO NOT allow conductive material such as jewelry, keys, or beaded chains to touch exposed battery terminals.

Do Not Substitute Options or Accessories

The Motorola Solutions communications equipment certified as intrinsically safe by the approving agency (FM, UL, CSA, CENELEC) is tested as a complete system which consists of the listed agency approved portable, approved battery, and approved accessories or options, or both. This approved portable and battery combination must be strictly observed. There must be no substitution of items, even if the substitute has been previously approved with a different Motorola Solutions communications equipment unit. Approved configurations are listed by the approving agency (FM, UL, CSA, CENELEC).

The Intrinsically Safe Approval Label affixed to radio refers to the intrinsically safe classification of that radio product, and the approved batteries that can be used with that system. The manual PN referenced on the Intrinsically Safe Approval Label identifies the approved accessories and or options that can be used with that portable radio unit.
 Using a non-Motorola Solutions-intrinsically safe battery and/or accessory with the Motorola Solutions-approved radio unit will void the intrinsically safe approval of that radio unit.

Notice to Users (FCC and Industry Canada)

- This device complies with Part 15 of the FCC rules and Industry Canada's license-exempt RSS's per the following conditions.
- This device may not cause harmful interference.
 - This device must accept any interference received, including interference that may cause undesired operation.
 - Changes or modifications made to this device, not expressly approved by Motorola Solutions, could void the authority of the user to operate this equipment.

Licensing Information

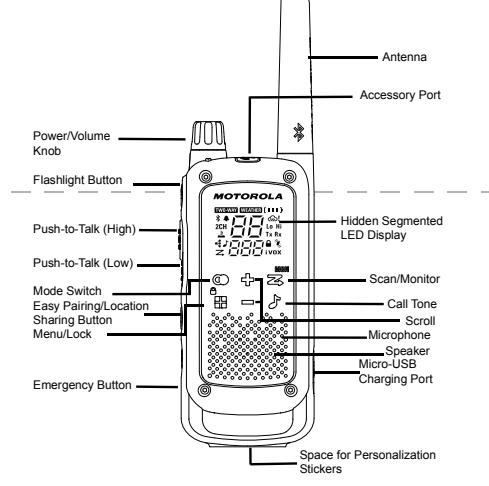
USA (FCC)/CANADA (ISED)

According to FCC Part 95, FRS devices do not require a license. Use of Motorola radio in Canada is subject to the rules and regulations in ISED RSS 210 and do not require a license.

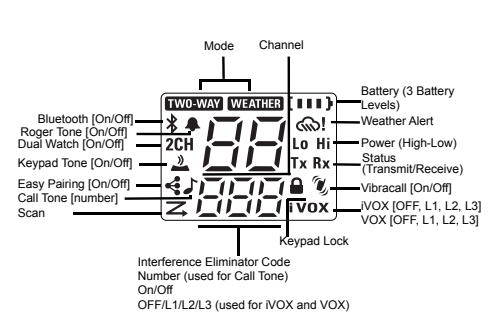
Changes or modifications not expressly approved by Motorola Solutions may void the user authority granted by the FCC or ISED to operate this radio and should not be made. To comply with FCC or ISED requirements, transmitter adjustments should be made only by or under the supervision of a person certified as technically qualified to perform transmitter maintenance and repairs in the private land mobile and fixed services as certified by an organization representative of the user of those services. Replacement of any transmitter component (crystal, semiconductor, etc) not authorized by the FCC or ISED equipment authorization for this radio could violate FCC or ISED rules.

Note: Use of this radio outside the country where it was intended to be distributed is subject to government regulations and may be prohibited

Control Buttons



Display Screen Guide



Note: The radio screen dims five seconds after the last button is pressed. Radio screen turns off after another five seconds for battery saving purposes, with only LED blinking. Press any button (except Flashlight button) to resume the display.

Getting Started

Weatherproof

This radio is weatherproof to IP-x4 standards. It is splash-proof from any direction. The radio is resistant to water and rain splashes only when the battery cover, headset accessory port, and micro-USB ports are sealed. Open the battery compartment door or headset port cover only when the radio is dry. Use of a headset accessory should be in dry environments only. The micro-USB adaptor is not weatherproof. Therefore:
 • DO NOT expose to rain or snow.
 • Charge the radios only in a dry location.
 • DO NOT charge wet radios.

Personalization Stickers:
 16 stickers provided in order to personalize and keep track of the radios. Use permanent marker for the blank stickers.

Installing the Batteries

- Discard the retailer tag (loose in one of the battery compartments) before installing the batteries. Each radio can use either one NiMH rechargeable battery pack or three AA alkaline batteries and beeps when the batteries are low.
1. Turn the radio off.
 2. With the back of the radio facing you, push the latch on battery cover to the left to unlock the battery cover.
 3. For NiMH battery pack, insert the battery pack by following the instruction on the battery pack. Observe the polarity. For AA alkaline batteries, insert the batteries and observe polarity.

4. The ribbon should be underneath the battery pack or batteries and must wrap around the right side of the pack or batteries for easy removal.
5. Close the battery cover and push the latch to the right to lock the battery cover.

Radio Battery Meter

The number of bars (0-3) on the Radio Battery icon shown indicates the charge remaining in the battery. When the radio battery meter shows one segment left, the radio chirps periodically or after releasing the PTT button (Low Battery Alert).

Battery Capacity Maintenance

1. Charge the NiMH batteries once every 3 months when not in use. After longer lapse, the start of charging in radio will be delayed and can take up to five minutes.
2. Before placing the radio in storage, remove the battery.
3. Batteries corrode over time and may cause permanent damage to your radio.
4. Store the NiMH batteries in temperature between -20 °C to 35 °C and in low humidity. Avoid damp conditions and corrosive materials.

Using the Micro-USB Charger

The micro-USB charger allows you to conveniently charge your NiMH battery pack.

1. Power OFF your radio before you start charging.
2. Plug the micro-USB cable into the micro-USB charging port on your radio. Connect the other end of the micro-USB charger to wall power outlet.
3. An empty battery will be fully charged in 11 hours.
4. The battery meter bar will scroll when the battery is charging.

Note:
 • When moving between hot and cold temperatures, do not charge the NiMH battery pack until the battery temperature acclimates (usually about 20 minutes).

- For optimal battery life, remove the radio from the charger within 16 hours. Do not store the radio while connected to the charger.

Attaching and Removing the Belt Clip

1. Attach the belt clip to the belt clip slot at the back of the radio until the clip clicks in place.
2. Attach the belt clip to pocket or belt strap until the clip clicks in place.

To Remove

1. Push the release tab on top of the belt clip to release the latch.
2. Pull the belt clip away from the back of the radio.

Turning your Radio On and Off

1. To turn your radio ON, turn the rotary knob clockwise.
2. In the ON position, the radio chirps and briefly shows all feature icons available on the radio.
3. The display screen then shows the current channel, code and all features that are enabled. The radio is now in Two-Way mode.
4. To turn your radio OFF, turn the rotary knob counterclockwise.

Setting the Volume

From any mode, to increase volume is by turning the rotary knob clockwise. To decrease volume, turn the rotary knob counterclockwise.

Note: DO NOT hold the radio close to your ear. If the volume is set to an uncomfortable level, it could hurt your ear.

Talking and Listening

To communicate, all radios in your group must be set to the same channel and Interference Eliminator Code.

1. Press and hold the PTT button to talk. When transmitting, screen displays Tx icon and blinks TWO-WAY icon. If it is a high power transmission, Hi icon is displayed. If it is a low power transmission, Lo icon is displayed. Screen will time out except Tx, Hi/Lo and battery icons. These will remain lit until PTT button is released.
2. When you are finished talking, release the PTT button.
3. When receiving, TWO-WAY icon blinks and Rx is shown. If it is a high power channel, Hi is shown. If it is a low power channel, Lo is shown.

For maximum clarity, hold the radio one inch away from your mouth and speak directly into the microphone. Do not cover the microphone while talking.

Talk Range

Your radio is designed to maximize performance and improve transmission range. Do not use the radios closer than 5 ft apart.

Power Boost

To boost the power of your radio to high power, press the top portion of the PTT button when talking. If you know your party is close by, you can conserve the energy of your battery by pushing the lower part of the PTT button to use less power.

Note: If you are on an 467 MHz channel (see "Channels and Frequencies") the radio uses low power when either portion of the PTT button is pressed.

Monitor Button

Press and hold Scan/Monitor button for three seconds to enter Monitor mode and listen for weak signals on the current channel. You can also listen to the volume level of the radio when you are not receiving. This allows you to adjust the volume, if necessary.

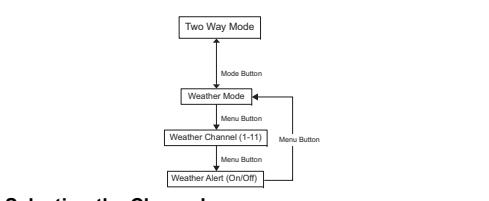
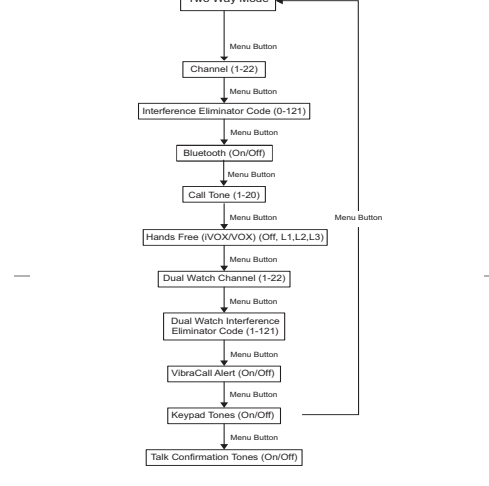
Push-to-Talk Timeout Timer

To prevent accidental transmissions and save battery life, the radio emits a continuous warning tone and stops transmitting if you press the PTT button for more than 60 continuous seconds.

Mode Button

By pressing "mode" button, the user will be seamlessly switching between two-way and weather mode. When radio is in two-way mode, TWO-WAY will be shown. When radio is in weather mode, WEATHER will be shown. Corresponding setting and information will be shown on the display.

Menu Options



Selecting the Channel

Your radio has 22 channels. The channel is the frequency the radio uses to transmit. (See the "Channels and Frequencies" table on overleaf for details).

1. With the radio on, press Menu/Lock button until the channel number starts to flash. When the radio is on a 0.5 W channel, display shows Lo. When the radio is on a 2 W channel, display shows Hi. The current channel flashes.
2. Press ⇄ or ⇄ to change the channel. Long press on these keys allows you to scroll through the channels rapidly.

3. Press the PTT button to save the channel setting and exit Menu or Menu/Lock button to continue set up.

Selecting the Interference Eliminator Code

Interference Eliminator Codes help minimize interference by blocking transmissions from unknown sources. Your radio has 121 Interference Eliminator Codes. Codes 1-38 are standard analog codes that appear on other FRS radios. Codes 39-121 are additional digital codes added for superior interference protection. 0 is the off position, no analog or digital codes are enabled.

To set the code for a channel:

1. Press Menu/Lock button until the code starts to flash.
2. Press ⇄ or ⇄ to select the code. Long press on these keys allows you to scroll through the codes rapidly.
3. Press the PTT button to save the code setting and exit Menu or Menu/Lock button to continue set up.

You can set a different code for each channel using this procedure.

Note: On a radio that uses Interference Eliminator Codes, the code must be set to 0 to communicate with radios that do not have Interference Eliminator Codes. Select 0 for "no tone, no code" on the display of your radio.

Bluetooth

Turn ON Bluetooth on your radio to connect with Talkabout APP installed on your smart phone. Make sure Bluetooth on your smart phone is turned ON.

1. Press Menu/Lock until * appears. The current Bluetooth setting will flash.
2. Press ⇄ or ⇄ to change the setting.
3. Press the PTT button to set and exit menu or button to continue set up.
4. Once Bluetooth is turned ON, the * glows static for five seconds, then move to "Waiting to be Paired" mode.
5. In "Waiting to be Paired" mode, * flashes fast for 90 seconds before switching OFF to save battery life. Before it switches off, you will get two warning alerts (one beep at 60 seconds and two beeps at 90 seconds) before Bluetooth turns OFF.
6. If pairing is successful, the * glows static for three seconds, then move into "Bluetooth connected" mode.
7. When Bluetooth is connected, the * will continue blinking slowly.

Setting and Transmitting Call Tones

Your radio can transmit different call tones to other radios in your group so you can alert them that you want to talk. Your radio has 20 call tones from which to choose.

To set a call tone:

1. Press Menu/Lock until * appears. The current call tone setting will flash.
 2. Press ⇄ or ⇄ to change and hear the call tone.
 3. Press the PTT button to set the new call tone and exit Menu or Menu/Lock button to continue set up.
- To transmit your call tone to other radios set up to the same channel and Interference Eliminator Code on your radio, and press Call Tone button.

Note: Setting the call tone to 0 disables the call tone feature.

Internal Voice Operated Transmission/Voice Operated Transmission (iVOX/VOX)

Transmission is initiated by speaking into the microphone of the radio/audio accessory instead of pushing the PTT button.

L3 = High Sensitivity for quiet environments
L2 = Medium Sensitivity for most environments
L1 = Low Sensitivity for noisy environments

1. Press Menu until the iVOX icon appears on the display. When audio accessory is connected, the VOX icon will be shown. The current setting (Off, L1-L3) will flash.
2. Press ⇄ or ⇄ to select the sensitivity level.
3. Press the PTT button to exit menu or Menu to continue set up.

Note: When using iVOX/VOX, there will be a short delay.

Dual Watch Mode

Enables you to scan the current channel and another channel alternately.

To set another channel and start Dual Watch.

1. Press Menu/Lock until 2CH appears. The 2CH will flash.
2. Press ⇄ or ⇄ to select the channel, then press Menu/Lock.
3. Press ⇄ or ⇄ to select the code.
4. Press the PTT button or wait until the time out to activate Dual Watch. The screen will alternate between Home Channel and Dual Watch Channel.
5. To end Dual Watch mode, Press Menu/Lock icon.

Note: If you set the same channel and code as current channel, Dual Watch does not work.

VibraCall™ Alert

VibraCall™ is a vibrating alert that notifies you that your radio is receiving a message. This is useful in noisy environments. The Vibrate Alert will be triggered when you received a call. It will then only be triggered again if there is no activity within 30 seconds after the previous call.

- To turn vibrating alerts on, press **Menu/Lock** button until is displayed. The current setting will flash. Press or to change the setting to On/Off.
- Press the **PTT** button to confirm and exit Menu or **Menu/Lock** button to continue set up.

Keypad Tones

You may enable or disable the speaker key tones. You will hear the key tone each time a button is pushed.

- Press **Menu/Lock** button until appears. The current setting On/Off will flash.
- Press either or to turn On or Off.
- Press the **PTT** button to confirm and exit Menu or **Menu/Lock** button to continue set up.

Note: When the keypad tone feature is off, the following are not disabled:

- Transmit timeout alert tone
- Call tone
- Low battery alert tone or
- The transmitted talk confirmation tone

Transmitting a Talk Confirmation Tone

You can set your radio to transmit a unique tone when you finish transmitting. It is like saying "Roger" or "Over" to let others know you are finished talking.

- Press **Menu/Lock** button until the appears. The current setting On/Off flashes.
- Press or to turn On or Off.
- Press the **PTT** button to set and exit Menu or to continue set up.

Talkabout App

Installing Talkabout App on your smartphone and connecting your smartphone to your radio over bluetooth allows you to share your location and text messaging, even without cell phone service. In addition, it offers recording tracks and controlling the radio settings from the convenience of your smartphone. This app is free and can be downloaded at the App Store for IOS devices and Google Play for Android devices. Search for Motorola Talkabout App. User instructions for the app are embedded in the app.

Special Features

Emergency Alert Mode

The Emergency Alert feature can be used to signal members in your group of your need for urgent help. T800 series radios will operate in an automatic "hands-free" emergency control mode for a total of 30 seconds after activating the Emergency Alert. T800 series radios in your group will automatically advance the speaker volume to the maximum setting and sound a warbling alert tone for 8 seconds. The alert tone is emitted from your own radio speaker and the receiving radios in your group. After the 8 second alert, any spoken words or incidental sounds at your end will be transmitted to the group for 22 seconds. For the 30 second duration of Emergency Alert mode, T800 series radio controls and buttons will be locked to maximize reception of the emergency message.

- Press and hold the **Emergency Alert** button for 3 seconds.
- Release the button and the alert tone begins to sound. There is no need to continue to hold the Emergency Alert button or use **PTT** for your message to be transmitted.
- After the alert tone ends you may speak into the microphone. Your voice or incidental sounds will be transmitted.
- After 30 seconds your radio speaker will emit a Talk Confirmation Tone. Operation then returns to normal two-way mode.
- If your radio is connected to Talkabout APP when an Emergency Alert is triggered, S.O.S message that is pre-saved in your Talkabout APP is sent out to everyone in range that have Talkabout APP and are connected with the app. You must have Talkabout APP connected to receive your S.O.S message. Refer to Talkabout APP in radio setting to customize S.O.S message.

Note: All Motorola Solutions Talkabout EM, MJ, MR, MT, MU, T400, T500, T600, T800 series radio (except for model T400) are fully compatible with the Emergency Alert feature. Radios other than EM, MJ, MR, MT, MU, T400, T500, T600, T800 series can receive the emergency alert signal, but will not respond with adjusted volume settings, locked controls or a warbling alert tone. Users of other radio models set to the same channel and Interference Eliminator Code will hear a steady tone for eight seconds followed by the voice transmission for 22 seconds.

WARNING: The Emergency Alert feature should only be used in the event of an actual emergency. Motorola Solutions is not responsible if there is no response to the emergency alert from the receiving group.

Built-in LED Flashlight

- Press the flashlight button to turn the light ON.
- Press the flashlight button again to turn the light OFF.

Note: Turn off the flashlight when not in use to conserve battery power.

Keypad Lock

To avoid accidentally changing your radio settings:

- Press and hold **Menu/Lock** button until displays.
- When in lock mode, you can turn the radio ON and OFF, adjust the volume, receive, transmit, send a call tone, send Emergency Alert, turn the LED flashlight ON and OFF, and monitor channels. All other functions are locked.
- To unlock the radio, press and hold **Menu/Lock** button until is no longer displayed.

Easy Pairing and Location Sharing Button

This button has dual functionalities:

A. Easy Pairing

The Easy Pairing feature allows a group of radio users to program all their radios to the same Channel and Interference Eliminator Code settings quickly and simultaneously. Any one radio within the group can be designated as the "Leader's radio" and have it's Channel and Interference Eliminator Code settings transmitted to and copied by all the other radios in the group (Members' radios).

- Pick any one of the radios as the "Leader's radio". On this radio, program the Channel and Interference Eliminator Code to the desired settings.(See "Selecting the Channel" and "Selecting the Interference Eliminator Code" sections in this user manual).
- To copy the channel and Interference Eliminator Code combination to all the other "Members' radios", press and hold the button on the Members' radios until you hear a

beep. Release the button after the beep, and wait for the transmission from the Leader's radio.

Note:

- You will see the icon blinking on the display. This confirms that the radio is in Easy Pairing mode waiting to receive the Channel and Interference Eliminator Code settings from the Leader's radio. All Members' radios will remain in this mode for 3 minutes.
- A group with many radios should have all users take this step at the same time, so all radios can be programmed in one go.
- On the Leader's radio, press and hold down the button until you hear a double beep.

Note:

- At the double beep, this radio's Channel and Interference Eliminator Code settings will be transmitted, which will be received and copied by all the other (Members' radios).
- The Leader's radio must make this transmission when all the Members' radios are still in the Easy Pairing mode, otherwise the transmission will not be picked up.
- On the Leader's radio, user must remember NOT to release the button on the first (single) beep, otherwise this radio will become another Member's radio. If that happens, you can press **PTT** to escape, and retry step 3.

B. Location Sharing

Short press once to share and request location update. This functionality is only activated when paired over Bluetooth to your smartphone.

Note:The FCC does not allow automatic location sharing, therefore the user needs to share and request a location update manually. Location updates can be requested from within the Talkabout App or simply by short pressing this button.

Scanning Channels

Use scan to search all channels for transmissions from unknown parties, to find someone in your group who has accidentally changed channels or to quickly find unused channels for your own use.

There is a priority feature and two modes of scanning (basic and advanced) to make your search more effective. The Basic Scan mode uses the channel and code combinations for each of the channels as you have set them (or with the default code value of 1). The "Advanced Scan" mode will scan all channels for any and all codes, detect any code in use and use that code value temporarily for that channel.

Priority is given to the "home channel", that is, the channel (and Interference Eliminator Code) your radio is set to when you start the scan. This means the initial channel (and code settings) is scanned more often than the other channels and your radio will respond quickly to any activity occurring on the home channel as a priority.

To start Basic Scanning:

- Briefly press the Scan/Monitor button. The scan will appear in the display and the radio will begin to scroll through the channel and code combinations.
- When the radio detects channel activity matching the channel and code combination, it stops scrolling and you can hear the transmission.
- To respond and talk to the person transmitting, press the **PTT** button within five seconds after the end of the transmission.
- The radio will resume scrolling through the channels 5 seconds after the end of any received activity.
- To stop scanning, briefly press the Scan/Monitor button.

To start Advanced Scanning:

- Set the Interference Eliminator Code to "zero" or OFF.
- Briefly press the Scan/Monitor button. The scan will appear in the display and the radio will begin to scroll through the channels. No Interference Eliminator Codes will filter what is heard.
- When the radio detects channel activity with ANY code (or NO code), it stops scrolling and you can hear the transmission. Any Interference Eliminator Code that may be in use by that party will be detected and displayed.
- To respond and talk to the person transmitting, press the **PTT** button within 5 seconds of the end of the transmission. The radio will transmit using the newly detected Interference Eliminator Code.
- The radio will resume scrolling through the channels 5 seconds after the end of any received activity.
- To stop scanning, briefly press the Scan/Monitor button.

Scanning Notes:

- If you press the **PTT** button while the radio is scrolling through inactive channels, the transmission will be on the "home channel". Scanning will resume five seconds after the end of your transmission. You may press the Scan/Monitor button to stop scanning at any time.
- If the radio stops on an undesired transmission, you may immediately resume the scan by briefly pressing or .
- If the radio repeatedly stops on an undesired transmission, you may temporarily remove that channel from the scan list by pressing and holding or for 3 seconds. You may remove more than one channel in this way.
- To restore the removed channel(s) to the scan list, turn the radio off and then turn back on, or exit and re-enter the scanning mode by pressing Scan/Monitor button.
- You cannot remove the home channel from the scan list.
- In Advanced Scan, the detected code will only be used for one transmission. You must note that code, exit scan and set that detected code on that channel to permanently use the detected code.

Weather Receiver

Your radio can tune in to broadcasts by the United States National Oceanic and Atmospheric Administration (NOAA) Weather Radio and Environment Canada Weather Radio.

You can listen to a weather channel (see "Weather Channels and Frequencies" table for details) or set your radio to alert you to emergency weather broadcasts that interrupt routine broadcasts. When you listen to a weather channel, you cannot use your radio in scan mode or for two-way communications. Both NOAA and Environment Canada have transmitters located throughout the United States and Canada, respectively. These transmitters broadcast watches, forecasts and other information 24 hours a day.

Note: NOAA weather radio stations are assigned to cover specific areas and service may be limited. Please check with your local weather office for frequency and details or visit www.weather.gov/nwr in the US to view the appropriate transmitter for your area. The use of the NOAA logo does not provide an endorsement or implied endorsement by the National Weather Service of NOAA, nor does the use of the Weather Radio logo provide an endorsement or implied endorsement by Environment Canada.

Entering Weather Mode

- From two-way mode, press Mode Switch/Power button to enter weather mode **WEATHER**.

Setting the Weather Channel

Your radio receives weather frequencies:

- In weather mode, press **Menu/Lock** button until weather channel number flashes.
- Press or to select the appropriate channel with good reception in your area.
- Press the **PTT** button to set and exit Menu or **Menu/Lock** button to continue set up weather alert.

Setting the Weather Alert

Your radio can be set to respond to NOAA Weather Radio emergency messages. A special alarm tone sounds an alert and turns on the weather receiver to give you immediate weather and emergency information.

- In weather mode press **Menu/Lock** button twice until displays.
- Press or to select On/Off.

- Press the **PTT** button or **Menu/Lock** button to exit the weather menu set up.
- Press Mode Switch/Power button to return to two-way mode. If you activate Weather Alert and return to two-way mode will display.

Note: When the weather channel is activated, either manually or after receiving an alert, and no buttons are pressed for 5 minutes, the weather mode will automatically revert back to two-way mode.

As with two-way radio reception, weather channel reception depends on how close you are to a transmitter and whether you are indoors or outdoors. Because weather channels are transmitted without codes, they may contain static or noise. Weather Alert will not function while actively transmitting or receiving in two-way mode.

Weather Channels and Frequencies

Weather Channel	Frequency	Weather Channel	Frequency
WX1	162.550 MHz	WX7	162.525 MHz
WX2	162.400 MHz	WX8	161.650 MHz
WX3	162.475 MHz	WX9	161.775 MHz
WX4	162.425 MHz	WX10	161.750 MHz
WX5	162.450 MHz	WX11	162.000 MHz
WX6	162.500 MHz		

Channels and Frequencies

This FRS device is approved for USA and Canada

Channel	Frequency	Max Power Output	Channel	Frequency	Max Power Output
1	462.5625 MHz	2 W	12	467.6625 MHz	0.5 W
2	462.5875 MHz	2 W	13	467.6875 MHz	0.5 W
3	462.6125 MHz	2 W	14	467.7125 MHz	0.5 W
4	462.6375 MHz	2 W	15	462.5500 MHz	2 W
5	462.6625 MHz	2 W	16	462.5750 MHz	2 W
6	462.6875 MHz	2 W	17	462.6000 MHz	2 W
7	462.7125 MHz	2 W	18	462.6250 MHz	2 W
8	467.5625 MHz	0.5 W	19	462.6500 MHz	2 W
9	467.5875 MHz	0.5 W	20	462.6750 MHz	2 W
10	467.6125 MHz	0.5 W	21	462.7000 MHz	2 W
11	467.6375 MHz	0.5 W	22	462.7250 MHz	2 W

Warranty

Consumer Two-Way Radio Products and Accessories purchased in the United States or Canada

What Does this Warranty Cover?

Subject to the exclusions contained below, Motorola Solutions, Inc. ("Motorola") warrants the Motorola branded consumer two-way radios that operate via Family Radio Service or General Mobile Radio Service ("Products"), the Motorola branded or certified accessories sold for use with these Products ("Accessories") to be free from defects in materials and workmanship under normal consumer usage for the period(s) outlined below. This limited warranty is the exclusive remedy of a consumer, and applies as follows to new Products and Accessories and purchased by consumers in the United States or Canada, which are accompanied by this written warranty:

Who is Covered?

This warranty extends only to the first consumer purchaser, and is not transferable.

What will MOTOROLA SOLUTIONS, INC. do?

Motorola Solutions, Inc., at its option, will at no charge repair, replace or refund the purchase price of any Products or Accessories that do not conform to this warranty. We may use functionally equivalent reconditioned/refurbished/pre-owned or new Products or Accessories.

What Other Limitations Are There?

Any Implied Warranties, Including Without Limitation. The implied warranties of merchantability and fitness for a particular purpose, shall be limited to the duration of this limited warranty, otherwise the repair, replacement, or refund as provided under this express limited warranty is the exclusive remedy of the consumers, and is provided in lieu of all other warranties, express or implied.

In no event shall Motorola Solutions be liable, whether in contract or tort (including negligence) for damages in excess of the purchase price of the product or accessory, or for any indirect, incidental, special or consequential damages of any kind, or loss of revenue or profits, loss of business, loss of information or other financial loss arising out of or in connection with the ability or inability to use the products or accessories to the full extent these damages may be disclaimed by law.

Some states and jurisdictions do not allow the limitation or exclusion of incidental or consequential damages, or limitation on the length of an implied warranty, so the above limitations or exclusions may not apply to you. This warranty gives you specific legal rights, and you may also have other rights that vary from state to state or from one jurisdiction to another.

Products Covered	Length Of Coverage
Products and Accessories as defined above, unless otherwise provided for below:	Two (2) years from the date of purchase by the first consumer purchaser of the product unless otherwise provided for below.
Batteries whose fully charged capacity falls below 80% of their rated capacity and batteries that leak	Ninety (90) days from the date of purchase.
Products and Accessories that are repaired or replaced	The balance of the original warranty or for ninety (90) days from the date returned to the consumer, whichever is longer.

Exclusions From Warranty Coverage

Normal Wear and Tear:

Periodic maintenance, repair and replacement of Products or Accessories due to normal wear and tear.

Abuse & Misuse:

Defects or damage that result from: (a) improper operation, storage, misuse or abuse, accident or neglect, such as physical damage (cracks, scratches, etc.) to the surface of the Products and Accessories resulting from misuse; (b) contact with liquid, water, rain, extreme humidity or heavy perspiration, sand, dirt or the like, extreme heat, or food; (c) use of the Products or Accessories for commercial purposes or subjecting the Product or Accessory to abnormal usage or conditions; or (d) other acts which are not the fault of Motorola Solutions.

Use of Non-Motorola Solutions branded Products and Accessories:

Defects or damage that result from the use of Non-Motorola Solutions branded or certified products, accessories, software or other peripheral equipment.

Unauthorized Service or Modification:

Defects or damages resulting from service, testing, adjustment, installation, maintenance, alteration, or modification in any way by someone other than Motorola Solutions or its authorized service centers.

Altered Products:

Products or Accessories with (a) serial numbers or date tags that have been removed, altered or obliterated; (b) broken seals or that show evidence of tampering; (c) mismatched board serial numbers; or (d) nonconforming or non-Motorola Solutions branded housings, or parts.

Communication Services:

Defects, damages, or the failure of Products or Accessories due to any communication service or signal you may subscribe to or use with the Products or Accessories.

How to Obtain Warranty Service or Other Information?

To obtain service or information, please call

USA and Canada Two-Way Radios
1-800-448-6686.

www.motorolasolutions.com/talkabout

For Accessories:

Please call the telephone number designated above for the Product with which they are used.

You will receive instructions on how to ship the Products or Accessories at your expense, to Motorola Solutions or a Motorola Solutions Authorized Repair Center. To obtain service, you must include: (a) a copy of your receipt, bill of sale or other comparable proof of purchase; (b) a written description of the problem; (c) the name of your service provider, if applicable; (d) the name and location of the installation facility (if applicable) and, most importantly; (e) your address and telephone number.

For more information, please visit us at:

<https://www.facebook.com/MotorolaTalkaboutWalkieTalkies>

<http://bit.ly/Talkabout>

www.motorolasolutions.com/talkabout