



Si500 Display and Si300 Non Display Video Speaker Microphone

Accessories



MN002719A01-AA

- en
- fr-CA
- es-LA
- pt-BR

MOTOROLA, MOTO, MOTOROLA SOLUTIONS and the Stylized M Logo are trademarks or registered trademarks of Motorola Trademark Holdings, LLC and are used under license. All other trademarks are the property of their respective owners.
© 2016 Motorola Solutions, Inc. All rights reserved.

Printed in

Foreword

RF Energy Exposure and Product Safety Guide for Portable Two-Way VSM

ATTENTION

The Si Series Video Speaker Microphones (VSMs) are ONLY compatible and certified when used with ASTRO APX and TETRA MTP Radio Models. A Radio firmware upgrade may be required to support collaborative operation. Before using this product, read the RF Energy Exposure and Product Safety Guide that shipped with the Radio which contains instructions for safe usage and RF energy awareness and control for compliance with applicable standards and regulation. This equipment is designed and manufactured not to exceed the emission limits for exposure to radio frequency (RF) energy set by the Federal Communications Commission of the U.S. Government. For body worn operation, this device has been tested and meets the FCC RF exposure guideline for use with a Motorola Solutions, Inc. approved accessories sold with this device.

Use of non-Motorola-approved body worn or battery accessories may exceed the applicable RF exposure guidelines (IEEE, ICNIRP or FCC).

This device complies with part 15 of the FCC Rules. Operation is subject to the following two conditions: (1) This device may not cause harmful interference, and (2) this device must accept any interference received, including interference that may cause undesired operation. Any changes or modifications not expressly approved by Motorola may void the user's authority to operate this device. This class B digital apparatus complies with Canadian ICES-003.

Under Industry Canada regulations, this microphone transmitter may only operate using an antenna of a type and maximum (or lesser) gain approved for the transmitter by Industry Canada. To reduce potential radio interference to other users, the antenna type and its gain should be so chosen that the equivalent isotropically radiated power (e.i.r.p.) is not more than that necessary for successful communication.

This device complies with Industry Canada licence exempt RSS standard(s). Operation is subject to the following two conditions: (1) this device may not cause interference, and (2) this device must accept any interference, including interference that may cause undesired operation.

Frequency of operation - IC 5 GHz only

- The device for operation in the band 5150–5250 MHz is only for indoor use to reduce the potential for harmful interference to co-channel mobile satellite systems.

Radio Frequency Interference Requirements - FCC

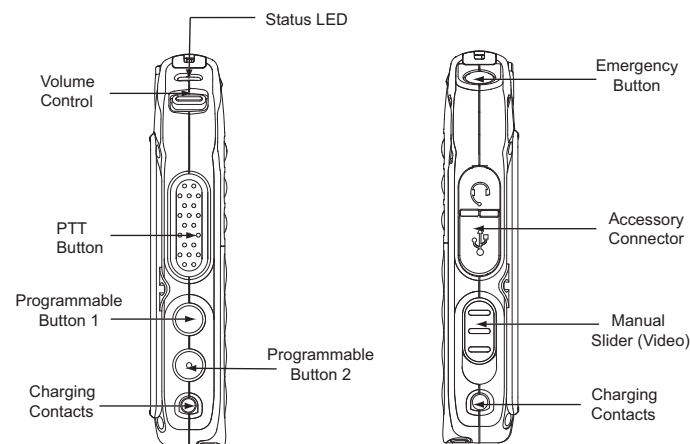
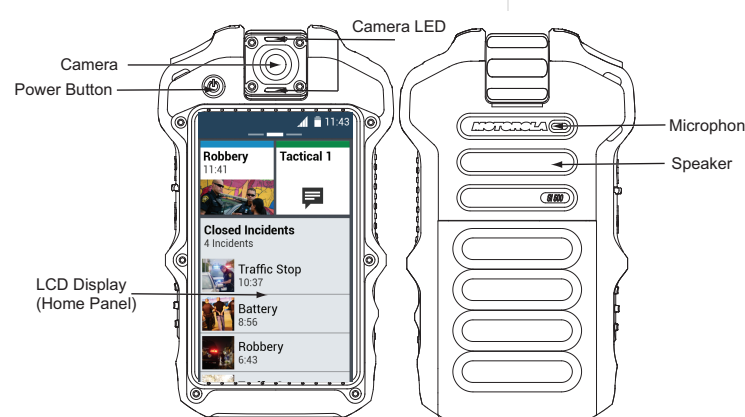
Note: This equipment has been tested and found to comply with the limits for a Class B digital device, pursuant to Part 15 of the FCC rules. These limits are designed to provide reasonable protection against harmful interference in a residential installation. This equipment generates, uses and can radiate radio frequency energy and, if not installed and used in accordance with the instructions, may cause harmful interference to radio communications. However there is no guarantee that interference will not occur in a particular installation. If this equipment does cause harmful interference to radio or television reception, which can be determined by turning the equipment off and on, the user is encouraged to try to correct the interference by one or more of the following measures:

- Reorient or relocate the receiving antenna
- Increase the separation between the equipment and receiver
- Connect the equipment into an outlet on a circuit different from that to which the receiver is connected.
- Consult the dealer or an experienced radio/TV technician for help.

Warranty

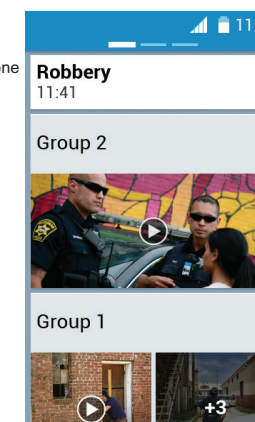
Motorola Solutions warrants the Si Series device and accessories for One (1) year. Please contact Motorola at 1-800-927-2744 US/Canada for any product related questions.

VSM Overview

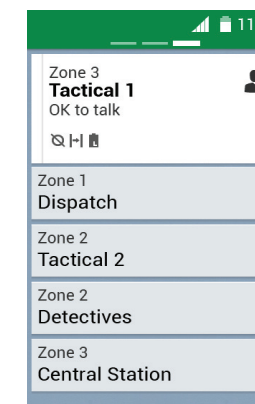


User Interface

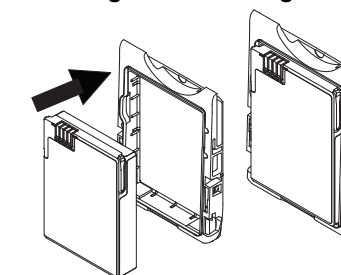
Activity Panel



Conversational Panel



Installing and Removing Battery



Installing

- Insert the battery into the open slot, sliding up until it locks securely in place.

Removing

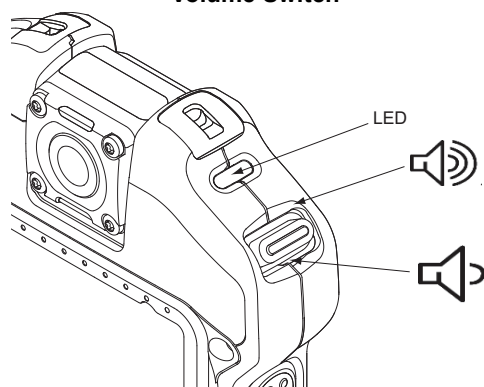
- Turn OFF the VSM.
- Press the two buttons located on the bottom of the battery to unlock and release the battery

Power On

The light will show solid Green briefly upon power up and then turn off to indicate successful power up. Please contact Motorola Solutions Customer Care at 1 800 422 4210 if the light remains Green for more than one minute.

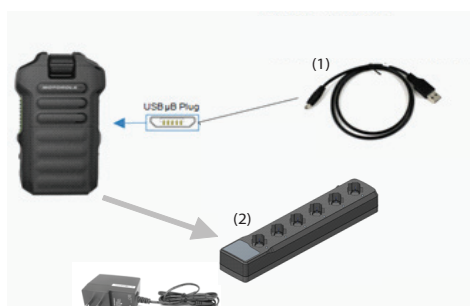
NOTE: The light will not activate if the VSM is in Covert mode. When operating in Covert Mode, all tones, LED's, and display indicators are not active.

Volume Switch



NOTE: A single press of the volume switch increases or decreases the volume by one step.

Charging the Device



2 methods to charge the Si Series device:

- Direct connection of the travel charger into the Micro USB port

- Drop-in charging via the Multi Unit Charger via 2 side contacts on the Si Series device.

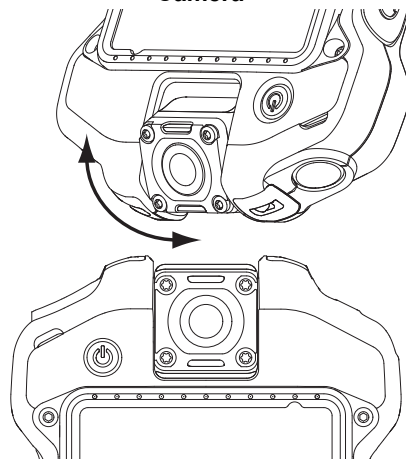
Connecting your Si Series Device

The Si Series device may be connected via a traditional wire, or wirelessly (Si500 model only) if your VSM is Bluetooth enabled and configured by your administrator.

Wired Connection

- Connect the wire by attaching to the bottom of your Si Series device, and secure with two thumbscrews within the cable connector.
- Connect to the VSM connector on the side of your VSM by removing the dust cover if attached, and secure with the thumbscrew on the bottom of the connector.

Camera

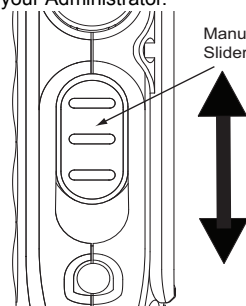


The Si Series offers a 210 degree articulating camera. Rotate the camera based on preferred device wearing position and user height

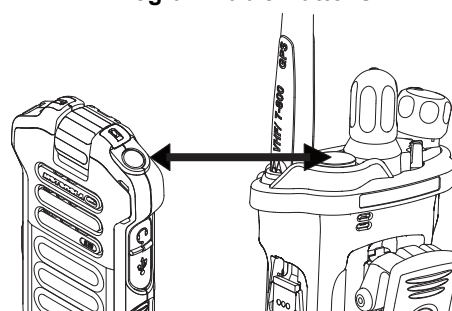
Recording Video

Slide the Manual Slider on the side of the device up to start recording, and down to stop recording.

Your Si Series device may also start video recording automatically via an emergency button press on the Si Series device or your VSM, if configured by your Administrator.



Programmable Buttons



NOTE: The top orange button will initiate an emergency signal and automatically start video recording, if configured by your Administrator.

Programmable Buttons Default

Action	Short Press	Long Press
Prog. Button 1	- Video Preview (Si500) - Audio Mute when Recording (Si300)	Audio Recording
Prog. Button 2	Photo Capture/Media Mark (Si300 and Si500)	Covert Mode*
Emergency Button	Forward to Radio	Forward to Radio

* Covert mode is used during tactical situations, it disables the display, all tones and LED's.

Wearing the Si Series Device

The carry holder offers a rotating belt clip, and allows the device to be flexibly worn with speaker face in or face out. The optional Shoulder Strap is used in conjunction with the Carry Holder to enable lapel wear using a uniform or tactical vest epaulette.

Adaptive Audio technology (standard on Si500, optional on Si300) reduces wind and ambient noise. Press the **PTT** and speak normally - there is no need to tilt or turn your head to the microphone.

Best position to wear the Si VSM

- Worn on the left shoulder (upright or inverted) with head angled such that mouth is towards the microphone arrays.
- Worn at the center of the chest (upright or rotated +/- 90deg) with head angled such that mouth is towards the microphone arrays.



Handling Precautions

The Si VSM meets IP67 specifications, allowing the VSM to withstand adverse field conditions such as being exposed to water or dust.

- Keep your device clean and exposure to water should be avoided to help ensure optimal functionality and performance.
- To clean the exterior surfaces of the VSM, use a diluted solution of mild dishwashing detergent and fresh water (i.e. one teaspoon of detergent to one gallon of water).
- These surfaces should be cleaned whenever a periodic visual inspection reveals the presence of smudges, grease, and/or grime.

Caution: The effects of certain chemicals and their vapors can have harmful results on certain plastics. Avoid using aerosol sprays, tuner cleaners and other chemicals.