



# CM200™

Commercial Series  
Two-Way Radio Installation Guide



---

# Table of Contents

	<b><i>Product Safety and RF Exposure Compliance</i></b> .....	<i>iii</i>
	<b><i>Information for Vehicles with Electronic Anti-Lock/Anti-Skid Brakes</i></b> .....	<i>iv</i>
	Installation Warnings .....	<i>iv</i>
	Installation Precautions .....	<i>iv</i>
	Braking System Tests .....	<i>iv</i>
<b>Chapter 1</b>	<b><i>Introduction</i></b>	
1.1	General Information .....	1
1.2	Plan the Installation .....	1
<b>Chapter 2</b>	<b><i>DC Power Cable Installation</i></b>	
2.1	Planning the Power Cable Installation .....	2
2.2	Power Cable Installation Procedure .....	2
<b>Chapter 3</b>	<b><i>Trunnion Installation</i></b>	
3.1	Planning the Mounting Trunnion Installation .....	5
3.2	Trunnion Installation Procedure .....	5
<b>Chapter 4</b>	<b><i>Antenna Installation</i></b>	
4.1	Mobile Radio Operation and EME Exposure .....	8
4.2	Selecting an Antenna Site .....	8
4.3	Antenna Installation Procedure .....	9
4.4	Completing the Installation .....	9
<b>Chapter 5</b>	<b><i>Installation Options</i></b>	
5.1	Mobile Dashboard Mounting .....	10
5.1.1	Installing the Mounting Frame into the Dashboard .....	10
5.1.2	Inserting the Radio into the Mounting Frame .....	10
5.1.3	Removing the Radio from the Mounting Frame .....	11

---

5.2	External Speaker Installation .....	11
5.3	Visor Microphone Installation .....	12
5.3.1	Connecting to the Mobile Radio .....	12

## **Chapter 6    *Accessory Connections***

6.1	Accessory Connector Pin Functions .....	13
6.2	Connection Plan for Accessories .....	15

## **Chapter 7    *Noise Sources***

7.1	Introduction .....	16
7.2	Radiated Noise .....	16
7.3	Conducted Noise .....	17
7.4	Induced Noise .....	17

## **Chapter 8    *Operation of a Conventional Ignition System***

8.1	Introduction .....	18
8.2	Sources of Ignition Interference .....	18

## **Chapter 9    *Detection of Noise Sources***

9.1	Noise Detection Procedure .....	20
9.2	Sources of Noise .....	21

## **Chapter 10   *Noise Reduction Techniques***

10.1	General .....	22
10.2	Ignition System Interference .....	22
10.2.1	Engine Maintenance and Tune-Up.....	22
10.2.2	Available Noise Reduction Kits .....	22
10.2.3	Ignition Coil Interference .....	23
10.2.4	Distributor Interference.....	23
10.2.5	Battery Connections .....	23
10.3	Alternator .....	24
10.4	Voltage Regulator Noise .....	25
10.5	Hood and Trunk Lid Noise .....	25
10.6	Other Electrical Noises .....	25
10.7	Ground Bonding .....	26

---

# PRODUCT SAFETY AND RF EXPOSURE COMPLIANCE



**Caution**

Before using this product, read the operating instructions for safe usage contained in the Product Safety and RF Exposure booklet enclosed with your radio.

## **ATTENTION!**

**This radio is restricted to occupational use only to satisfy FCC RF energy exposure requirements.**

Before using this product, read the RF energy awareness information and operating instructions in the Product Safety and RF Exposure booklet enclosed with your radio (Motorola Publication part number pending) to ensure compliance with RF energy exposure limits.

For a list of Motorola-approved antennas, batteries, and other accessories, visit the following web site which lists approved accessories: <http://www.motorola.com/cgiss/index.shtml>.

---

# Information for Vehicles with Electronic Anti-Lock/Anti-Skid Brakes

The following installation suggestions and test procedures are recommended for vehicles with electronic anti-lock/anti-skid brakes. Refer to your vehicle service manual for your vehicle's braking system, or contact your dealer directly.

## Installation Warnings



**Disruption of the anti-skid/anti-lock braking system by the radio transmitter may result in unexpected vehicle motion.**

**Motorola recommends the following radio installation precautions and vehicle braking system test procedures to ensure that the radio, when transmitting, does not interfere with the operation of the vehicle braking system.**

## Installation Precautions

1. Always provide as much distance as possible between the braking modulator unit and the radio, the radio antenna, and associated transmission line. Before installing the radio, determine the location of the braking modulator unit in the vehicle. Depending on the make and model of the vehicle, the braking modulator unit may be located in the trunk, under the dashboard, in the engine compartment, or in some other cargo area. If you cannot determine the location of the braking modulator unit, refer to the vehicle service manual or contact a dealer for the particular make of the vehicle.
2. If the braking modular unit is located on the left side of the vehicle, install the radio on the right side of the vehicle, and conversely.
3. Route all radio wiring, including the antenna transmission line, as far away as possible from the braking modular unit and associated braking system wiring.
4. Never activate the radio transmitter while the vehicle is in motion and the vehicle trunk lid is open.

## Braking System Tests

Be sure the following vehicle testing is done in an isolated area. The following procedure checks for the most common types of interference that may be caused by a radio transmitter to a vehicle braking system:

1. Run the vehicle engine at idle speed and set the vehicle transmission selector to PARK. Release the brake pedal completely and key the radio transmitter. While NOT speaking into the microphone, verify that there are no unusual effects (visual or audible) to the vehicle lights, or other electrical equipment and accessories.
2. Repeat Step 1, except do so while speaking into the microphone.
3. Press the vehicle brake pedal slightly; just enough to illuminate the vehicle brake light(s). Then repeat Steps 1 and 2.
4. Press the vehicle brake pedal firmly and repeat Steps 1 and 2.
5. Ensure that there is a minimum of two vehicle lengths between the front of the vehicle and any object in the vehicle's forward path. Then, set the vehicle transmission selector to DRIVE. Press the brake pedal just far enough to stop the vehicle motion completely. Key the radio transmitter. Verify that the vehicle does not start to move while NOT speaking into the microphone.
6. Repeat Step 5, except do so while speaking into the microphone.
7. Release the brake pedal completely and accelerate the vehicle to a speed between 15 and 25 miles (25 and 40 kilometers) per hour. Ensure that a minimum of two vehicle lengths is maintained between the front of the vehicle and any object in the vehicle's forward path. Have another person key the radio transmitter, and verify that the vehicle can brake normally to a moderate stop while NOT speaking into the microphone.

8. Repeat Step 7, except do so while speaking into the microphone.
9. Release the brake pedal completely and accelerate the vehicle to a speed of 20 miles (30 kilometers) per hour. Ensure that a minimum of two vehicle lengths is maintained between the front of the vehicle and any object in the vehicle's forward path. Have another person key the radio transmitter, and verify that the vehicle can be braked properly to a sudden (panic) stop while NOT speaking into the microphone.
10. Repeat Step 9, except do so while speaking into the microphone.
11. Repeat Steps 9 and 10, except use a vehicle speed of 30 miles (50 kilometers) per hour.



**WARNING**

**For radios installed in vehicles fuelled by liquefied petroleum gas, refer to the (U. S.) National Fire Protection Association standard, NFPA 58, for storage, handling, and/or container information.**

**For a copy of the LP-gas standard, NFPA 58, contact the National Fire Protection Association, One Battery Park, Quincy, MA,.**





---

# Chapter 1

## Introduction

### 1.1 General Information

There are two methods of installing your mobile radio:

1. The standard radio package contains a direct mounting trunnion and power cables.
2. CM200/CM300 mobile radios may be mounted in the dashboard of a car using the required DIN Mount Kit FTN6083.

An accessory connector on the rear of the radio (see Figure 4-1) enables you to attach different accessories required for the installation.

A eight-pin telephone type connector on the front control head panel provides for the connection of various types of microphones.

### 1.2 Plan the Installation

1. Mount the radio horizontally near the driver, so the driver can easily view, access, and operate the controls and accessories.
2. Ensure that the location is not exposed to dirt and moisture.
3. Verify that there will be sufficient space around the mobile unit for air flow and installation.
4. Check that there is enough routing space for the power cable connector and the antenna coaxial cable.
5. Plan the best place to run connections to minimize chafing, pinching, crushing, and overheating of wires and cables.



**CAUTION: In a vehicle with an airbag, make sure that the mounting location of the mobile radio, or any radio accessory, is not in the deployment path of the air bag.**

## Chapter 2

# DC Power Cable Installation

### 2.1 Planning the Power Cable Installation



**CAUTION: This radio must be operated only in negative ground electrical systems. Operating the radio on a positive ground system will cause the cable fuse to short-circuit. Check the vehicle ground polarity before you begin the installation.**

The 10 foot (3 m) DC power cable shipped with the radio should be long enough to be installed in most vehicles. Take the following precautions before you begin:

- Whenever possible, avoid routing the cable above the catalytic converter.
- Use grommets whenever a cable has to pass through a hole in a metal panel.

The following table lists power cables available for this radio:

*Table 2-1: Power Cables*

Number	Description	Rating
HKN4137_	Low power cable to battery	1-25W; 15A fuse; 14 AWG 3m
HKN4191_	High power cable to battery	40-60W; 20A fuse; 12 AWG 3m

### 2.2 Power Cable Installation Procedure

Begin the power cable installation as follows:

1. Determine a routing plan, keeping in mind where the radio is to be mounted.



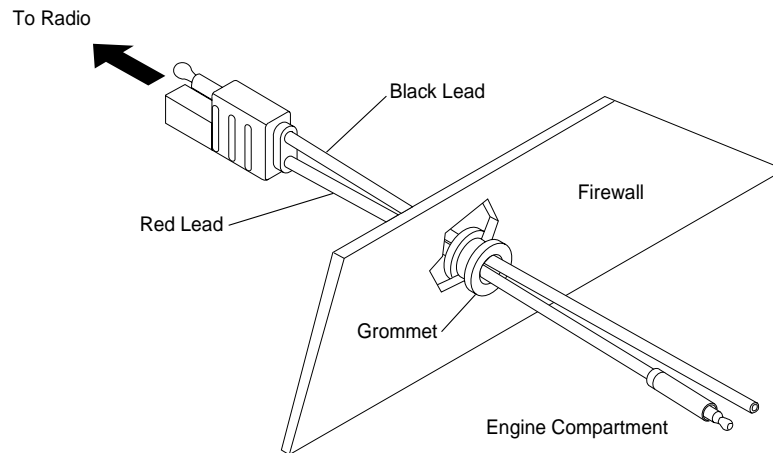
**CAUTION: Improper handling with the power cable may short to ground. Ensure that during radio installation the power cable fuse is removed.**

2. Locate an existing hole with grommet in the vehicle fire wall, or use a 3/8-inch (9.5 mm) bit to drill an access hole in the fire wall. Install a grommet with a 3/16-inch (4.9 mm) inside diameter into the hole to protect the power cable.



**CAUTION: Be very careful not to damage existing wires.**

3. From inside the vehicle, feed the red and black leads (without the lugs attached) through the access hole and into the engine compartment. (See Figure 2-1.)



*Figure 2-1. Power Cable Routing into the Engine Compartment*

4. Connect the black lead of the power cable to the nearest vehicle chassis ground point, which is usually the central ground point near the battery (using the provided ring lug if necessary). Shorten the black lead to remove any excess cable. (See Figure 2-2.)

**NOTE** Locate a good vehicle ground point. The vehicle central ground point provides the best ground. If this is not available, the vehicle frame provides the best ground. Optimum radio performance can only be achieved with a very low resistance ground connection. Verify that the connections between the battery negative terminal, vehicle chassis, and engine block have low resistance.

5. Place the fuse holder close to the battery. Ensure that it is not near any hot engine component. Mount the fuse holder using its mounting hole and dress the wires as required.
6. Insert the stripped end of the red lead of the fuse holder into the ring lug hole and crimp it. Connect the fuse holder red adapter lead plug to the mating receptacle on the red lead of the power cable. (See Figure 2-2.)
7. Connect the power cable black lead directly to the vehicle chassis ground.
8. Connect the red lead ring lug from the fuse holder to the positive (+) battery terminal. Make sure the adapter cable is connected to the main power cable red lead.
9. Carefully check that all connections are proper. Insert the fuse into the fuse holder and close the cover. (See Figure 2-2.)

**NOTE** Failure to mount the red lead of the power cable kit directly to the battery may result in severe alternator whine interference.

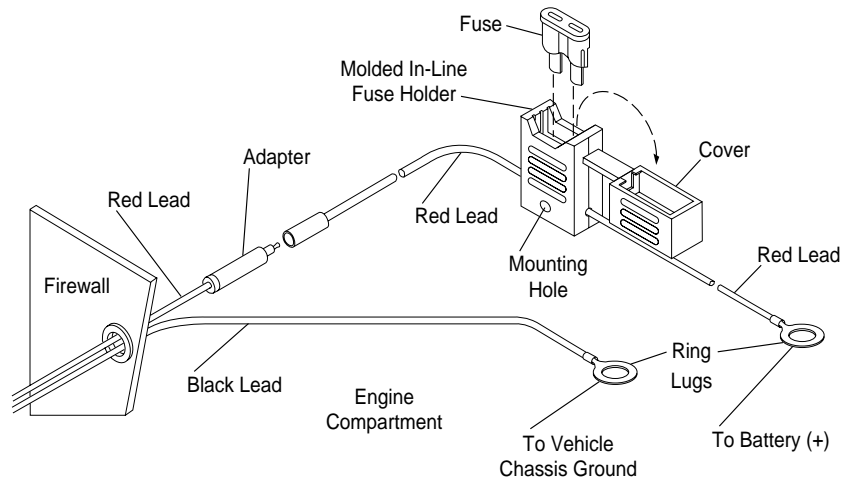


Figure 2-2. Power Cable Assembly

---

## Chapter 3

# Trunnion Installation

### 3.1 Planning the Mounting Trunnion Installation

Planning is the key to fast, easy radio installation. Before a hole is drilled or a wire is run, inspect the vehicle and determine how and where you intend to mount the antenna, radio, and accessories. If you are using any of the optional accessories, obtain them and plan for their installation using the detailed instructions included with each accessory. Plan wire and cable runs to provide maximum protection from pinching, crushing, and overheating.

The mounting trunnion allows the radio to be mounted to a variety of surfaces.

1. Ensure the surface can support the weight of the radio.
2. Although the mounting trunnion can be mounted to a plastic dashboard, it is recommended that the mounting screws be located so they penetrate the supporting metal frame of the dashboard.

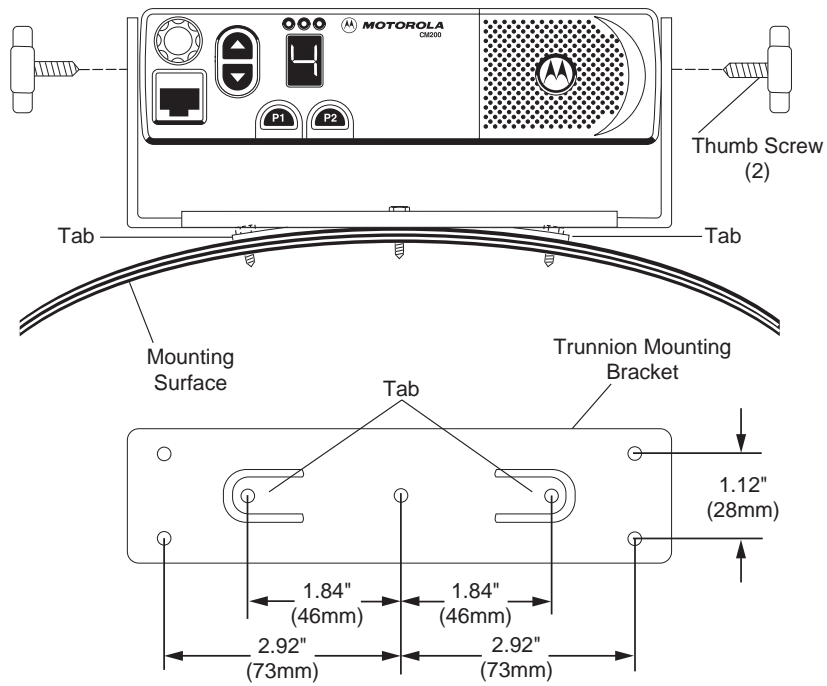


**CAUTION: The locking bracket (RLN4779) is NOT recommended for overhead mounting applications.**

### 3.2 Trunnion Installation Procedure

1. Select either the transmission hump or an open underneath portion of the dash to mount your radio. (See Figure 3-1.) When mounting the trunnion on the transmission hump, be careful that the transmission housing is not affected.
2. Use the trunnion mounting bracket as a template to mark the hole positions on the mounting surface. Use the innermost three holes for a curved mounting surface, such as the transmission hump, and the three outermost holes for a flat surface such as under the dash.
3. Center-punch the spots you marked and use a 5/32-inch (4 mm) bit to drill a hole at each location.
4. Secure the trunnion mounting bracket to the mounting surface with the three self-tapping screws provided. (See Figure 3-1.) Allow 3/4" clearance in front of the bracket so the locking bracket can be inserted in the radio.
5. Attach the radio to the locking bracket using two machine screws and two external tooth lockwashers. Tighten using a T25 Torx® driver. (Figure 3-2.)
6. Insert the locking bracket and radio into the mounting bracket by first sliding the large flanges into the slots at the rear of the mounting bracket, then slide the small locking flanges into the slots at the front of the mounting bracket.
7. Lock the locking bracket into the mounting bracket using the key provided.

### TRANSMISSION HUMP MOUNTING



### BELOW DASH MOUNTING

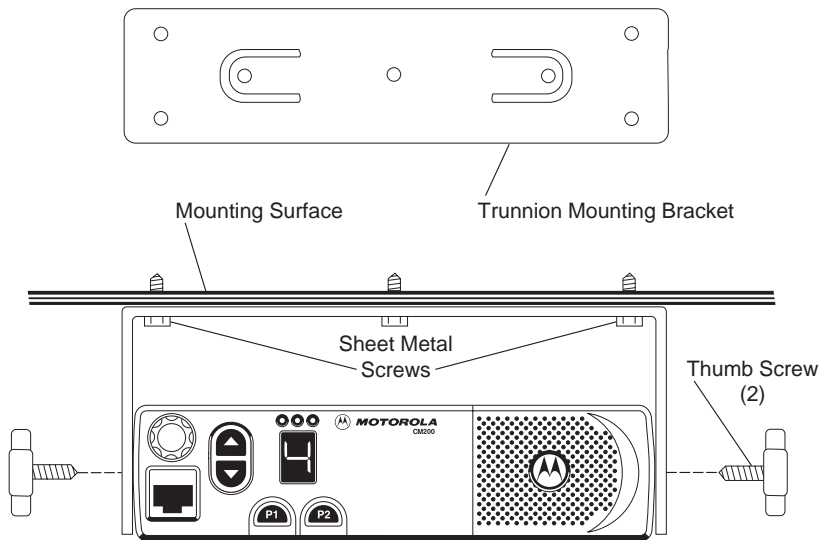


Figure 3-1. Transmission Hump Mounting (Top) and Below Dash Mounting (Bottom)

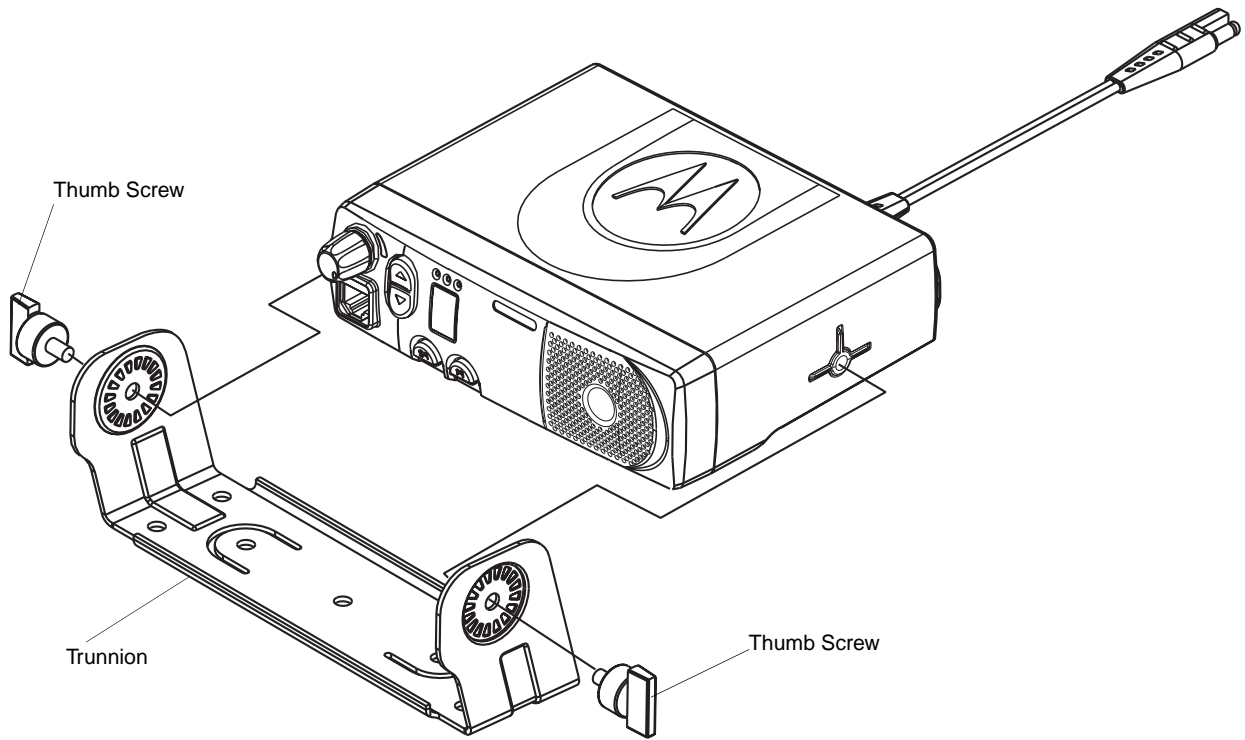


Figure 3-2. Radio into Trunnion

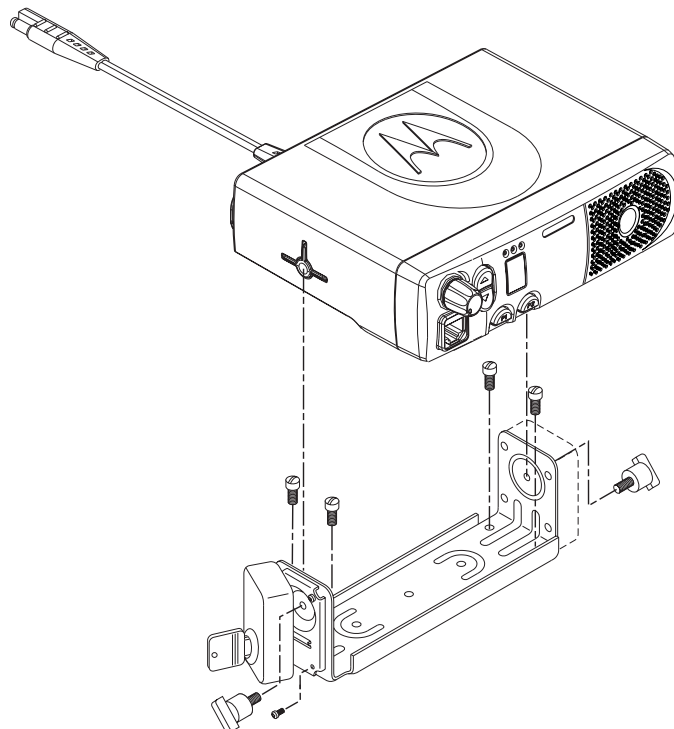


Figure 3-3. Locking Mounting Bracket (RLN4779)

---

## Chapter 4

# Antenna Installation

### 4.1 Mobile Radio Operation and EME Exposure

Observe the following caution and electromagnetic energy exposure (EME) statements when installing antennas:



**CAUTION: Use caution when installing antennas with mobile radio equipment using transmitter power in excess of 7 Watts.**

**NOTE** For low-power mobile radios (7 Watts, or less), there are no antenna type or installation restrictions.

### 4.2 Selecting an Antenna Site

1. Install the vehicle antenna external to the vehicle in accordance with the requirements of the antenna manufacturer/supplier.
2. The best mounting location for the antenna is in the center of a large, flat conductive surface. In almost all vehicles, mounting the antenna in the center of the roof will satisfy these requirements. A good alternate location is in the center of the trunk lid (check the requirements of the antenna manufacturer/supplier before mounting the antenna to the trunk lid). If you use the trunk lid, ensure that the trunk lid is grounded by connecting grounding straps between the trunk lid and the vehicle chassis.
3. Ensure that the antenna cable can be easily routed to the radio. Ensure that the antenna cable is routed separately and *not in parallel* to any other vehicle wiring or mobile radio cable wiring.
4. Check the antenna location for any electrical interference.

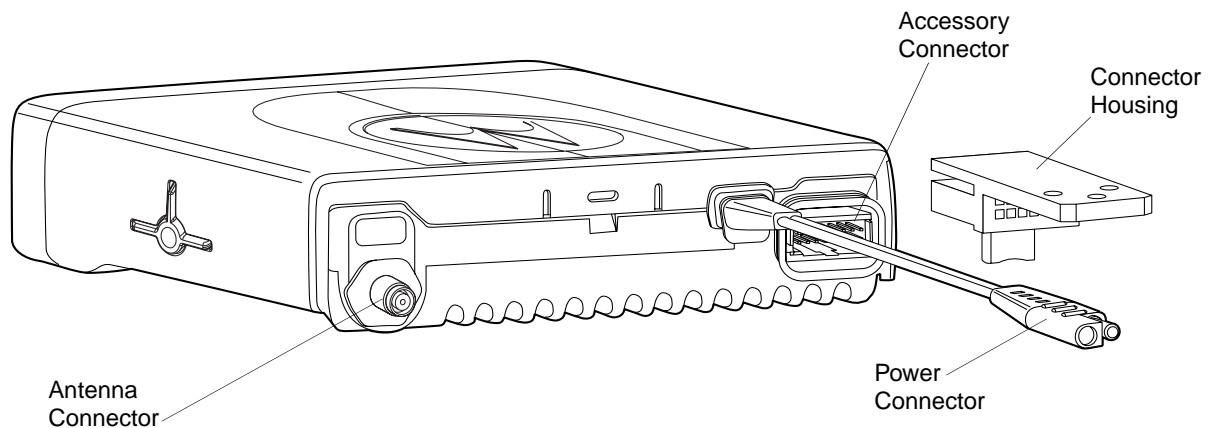
**NOTE** Any two metal pieces rubbing against each other (such as seat springs, shift levers, trunk and hood lids, exhaust pipes, etc.) in close proximity to the antenna can cause severe receiver interference.

5. If the vehicle is equipped with an electronic anti-lock braking system (ABS), and the antenna will be trunked mounted, then install the antenna on the side opposite to the braking modulator box. This minimizes radio interference to the modulator box from the radio.
6. Make sure the mobile radio antenna is installed at least one foot (30.48 cm) away from any other antenna on the vehicle.



### 4.3 Antenna Installation Procedure

1. Mount the antenna according to the instructions provided with the antenna kit. Run the coaxial cable to the radio mounting location. If necessary, cut off the excess cable and install the cable connector.
2. Connect the antenna cable connector to the radio antenna connector on the rear of the radio. (See Figure 4-1.)



*Figure 4-1. Connections to the Back of Radio*

### 4.4 Completing the Installation

1. Mount the microphone clip to a convenient spot near your radio.
2. Your microphone has a telephone-type connector at the end of its cord. Plug the microphone into the control head connector.
3. To complete your radio installation, plug the power cable into the radio power connector. (See Figure 4-1.)

## Chapter 5

# Installation Options

### 5.1 Mobile Dashboard Mounting

#### 5.1.1 Installing the Mounting Frame into the Dashboard

1. Open the radio cut-out in the dashboard to ISO 7736 specification (182mm x 53mm).
2. Insert the mounting frame into the dashboard cut-out and retain it by bending back the tabs (using all 6 where possible). Check that the orientation of the frame is correct by ensuring that the word "TOP" is facing upward.

**NOTE**

1. The tabs are easily bent back by twisting a large flat-bladed screwdriver in the slot behind the tabs.
2. For a more secure installation, the mounting frame should also be secured with a minimum of one screw.
3. The demounting tool can be used as an aid to mounting as well as demounting.

#### 5.1.2 Inserting the Radio into the Mounting Frame (Figure 5.1)

1. Make the necessary connections to the radio for power, antenna, and accessory connector as shown in Figure 4-1.
2. Plug in all the connectors and push the radio firmly into the mounting frame until the two springs snap into place.

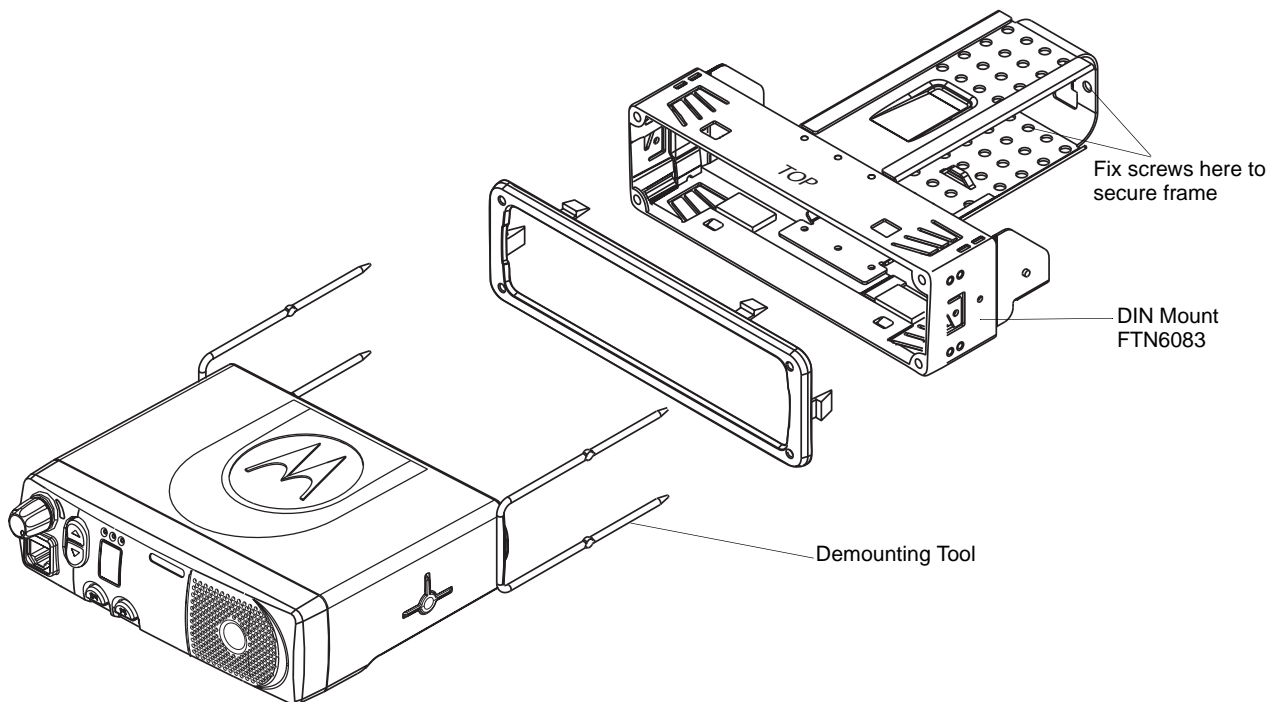


Figure 5-1. Fitting the Radio into the Frame

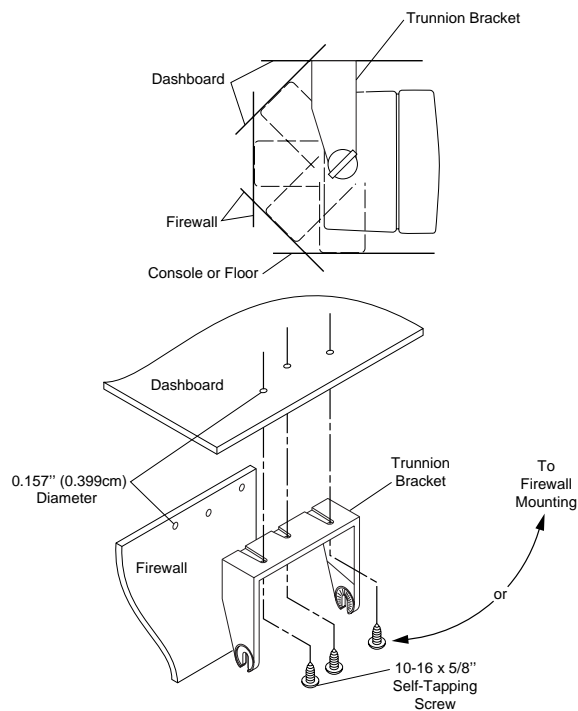
### 5.1.3 Removing the Radio from the Mounting Frame

1. Push the two demounting tools through the openings in the mounting frame until the two springs release the radio.
2. Slide out the radio.

**NOTE** 1. The fixing tabs should be checked for tightness each time the radio is removed. The tabs are easily tightened by twisting a large flat-bladed screwdriver in the slot behind the tabs.  
2. The mounting frame is not designed for regular mounting and demounting.

## 5.2 External Speaker Installation

1. Remove the speaker from the trunnion bracket by loosening the two wing screws.
2. Choose a place to mount the speaker.
3. Use the trunnion bracket as a template to mark the locations of the three mounting holes.
4. Centerpunch and drill a 5/32-inch (4 mm) diameter hole at each location.
5. Mount the trunnion bracket with the screws supplied. (See Figure 5-2.)
6. Insert the speaker into the trunnion bracket and tighten the two wing screws.
7. Insert the external speaker accessory plug into the accessory connector of the radio.



FL08302530

Figure 5-2. Mounting the Speaker Under the Dashboard

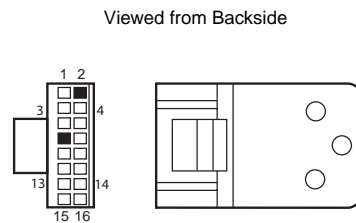
## 5.3 Visor Microphone Installation

1. Carefully select the installation location for the visor-mounted microphone. Achieve optimum performance of the microphone's hands-free circuitry by mounting the microphone in one of two locations:
  - on the sun-visor directly above the driver, or
  - on the headliner just above the driver.

The microphone should never be mounted near the window or in a place where the road and ambient background noise would be substantially high (above 85 dB SPL).

### 5.3.1 Connecting to the Mobile Radio

The visor-mounted microphone cable connects to a 16-pin connector block (part of the hardware supplied): one wire connects to pin 2, and the other wire connects to pin 7 (Figure 5.3).



*Figure 5-3. 16-Pin Connector Block*

# Chapter 6

## Accessory Connections

### 6.1 Accessory Connector Pin Functions

This section gives a description of the accessory connector pin functions.



**CAUTION:** The accessory connections shown are not compatible to some other models of Motorola radios. Check the appropriate accessory or technical manual for further information.

*Table 6-1: Connector Pin Functions*

Pin	Function	Description
1	External Speaker (-)	Connect external 8 or 4 Ohm speaker to pins 1 and 16. CAUTION: Bridge-type output. Neither pin 1 nor 16 is Ground.
2	External Mic Audio	Input impedance: 500 Ohms. 80 mV rms at 1 kHz for 60% deviation. This path is enabled when external mic PTT is keyed.
3	External Mic PTT	Put this pin low (less than 0.66 V dc) to key transmitter and enable external mic audio path. This pin is pulled low via a diode when front panel mic PTT is pulled low to allow sensing of mic PTT by accessory. This pin is pulled high to 3.3 V dc via 3.3 k Ohms.
4	Programmable Output	Defaults to External Alarm. Provides an active high to 13.8 V dc battery supply. Maximum current: 0.25 amps.
5	Flat_TX_Audio Input	Input impedance: Greater than 35 k Ohms. The nominal input level is 150 mV rms for 60% deviation.
6	SCI	Serial Communication Interface (for configuration of this pin as General Purpose Input, in addition to pins 8, 12, and 14, return the radio to an authorized service center).
7	Ground	Used as ground.
8	Programmable I/O	Input or output.
9	Emergency Input	When connecting the Emergency Footswitch between pin 9 and pin 7, the radio will sense the connection upon Power Up. Shorting this pin to Ground by pressing the switch when the radio is OFF, turns ON the radio in Emergency Mode. Shorting this pin to Ground by pressing the switch when the radio is ON, activates Emergency Mode. To turn OFF a radio that was turned ON by the Emergency Footswitch (ON/OFF knob in the OFF position) turn the knob to the ON position and then to the OFF position.
10	Ignition Sense	For optional 3-wire ignition control, connect this pin to the vehicle ignition-controlled voltage source for ignition-controlled radio ON/OFF. To resume NON ignition state, remove the battery connection for 10 seconds; remove the ignition connection from this pin and reconnect the battery connection.

*Table 6-1: Connector Pin Functions*

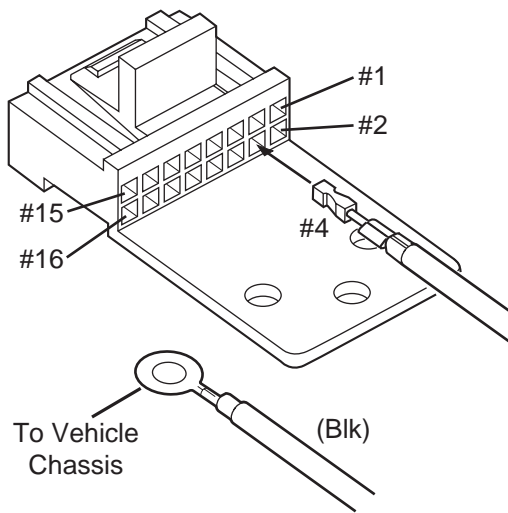
<b>Pin</b>	<b>Function</b>	<b>Description</b>
11	Receiver Audio Output	Programmable (using CPS in the Rx Audio Type): 660 mV rms (de-emphasized/muted) or 330 mV rms (non-de-emphasized/unmuted) at 60% deviation at 1 kHz. Default is de-emphasized/ muted. Minimum load resistance: 5 k Ohms..
12	Programmable I/O	Input or output.
13	Switched B+	(Switched Battery Voltage) 13.8 Vdc (500 mA max.) when radio is ON.
14	Programmable I/O	Input or output.
15	Internal Speaker	Connected to internal speaker (+) and by internal jumper to pin 16.
16	External Speaker (+)	Connect external 8 or 4 Ohm speaker to pins 1 and 16. CAUTION: Bridge-type output. Neither pin 1 nor 16 is Ground.

## 6.2 Connection Plan for Accessories

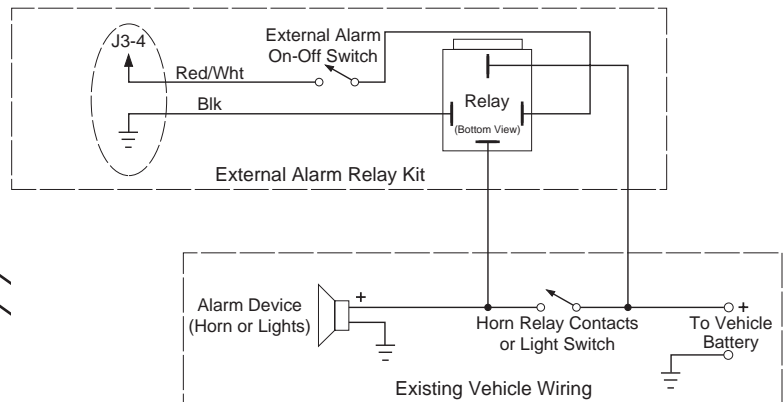


**CAUTION: Do Not short pin 1, 13, or 16 on the accessory connector to Ground; this may damage the radio.**

1. Plug the lead with the crimped-on terminal into the #4 socket of the accessory plug. (See Figure 6-1a).
2. Screw the circular terminal into the vehicle chassis.
3. Make all remaining wiring connections per wiring diagram. (See Figure 6-1b).



a. accessory plug



b. wiring diagram.

Figure 6-1. HLN9328 External Alarm Configuration

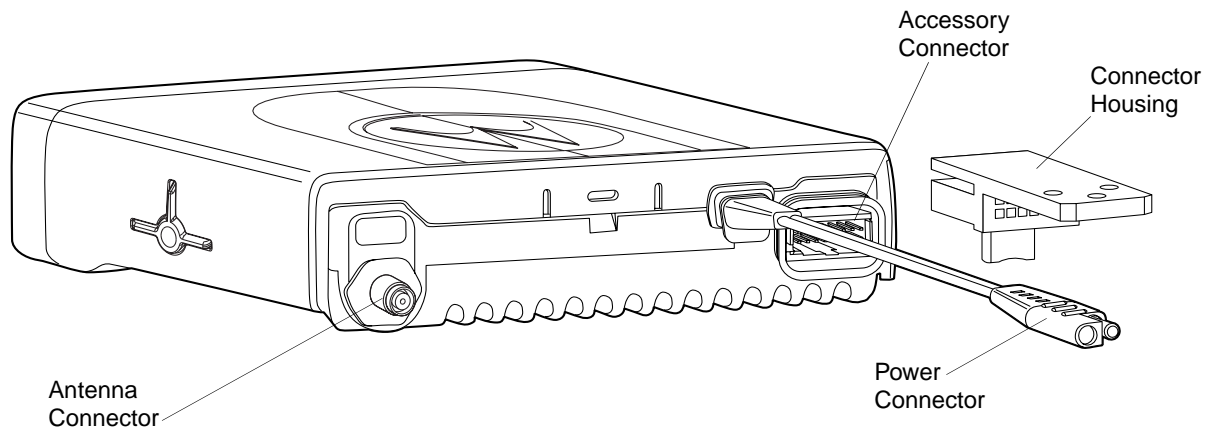


Figure 6-2. Accessory Connector

---

# Chapter 7

## Noise Sources

### 7.1 Introduction

Electrical noise generated by the electrical system of a vehicle, as well as local ambient noise, can interfere with normal operation of mobile radios. Satisfactory operation of a mobile radio may require slight or heavy noise reduction, depending upon the relative strength of the radio signal, and upon the ability of the radio to reject undesired noise. These requirements vary from one vehicle to another, depending upon the vehicle type and required coverage area. When operating in a strong signal area, a certain amount of noise interference can be tolerated. In weak signal areas, however, noise reduction becomes very important. As a rule of thumb, *noise levels create greatest interference in the 25-50 MHz band and reduce with increasing frequency.*

Before attempting any noise reduction procedures, determine the noise source(s). Then, follow a logical, systematic method of elimination until the interference is eliminated or reduced to an acceptable level.



**CAUTION: Do not add interference elimination equipment to vehicles equipped with electronic ignition systems before obtaining advice from the vehicle manufacturer. Addition of some noise suppression components may interfere with proper operation of electronic ignition systems and could seriously damage them.**

Care and patience must be exercised in locating and eliminating noise sources. There may be several sources of noise, each slightly stronger or weaker than the other. Elimination of one source may seem ineffective because another noise source remains active at a barely discernible difference in level. Consult a service manual for the vehicle to determine what noise reduction provisions the manufacturer applies when AM, AM/FM, or CB radios are installed as original equipment. These radios are also subject to electrical noise interference, and the manufacturer may install noise suppression components only upon those vehicles which require radio equipment at the time of manufacture. These noise suppression components should be added in any first attempt to suppress noise.

The three major noise sources affecting mobile radio systems are: (1) radiated noise, (2) conducted noise, and (3) induced noise. (See Figure 7-1 for typical vehicular noise sources.)

### 7.2 Radiated Noise

Radiated noise enters the radio through the antenna along with the desired signal and can block or degrade desired communication. It can be generated by power lines, fluorescent lights, or by electrical discharges from static build-up, ignition systems, or electrical motors. Radiated noise is the most common cause of mobile radio interference.

When a spark discharge or arc takes place through air, energy is radiated at frequencies from a few kilohertz to hundreds of megahertz. This spurious radiation may have some energy radiated at a frequency near or even identical to the desired radio signal. The standard receiver may be unable to distinguish between the two signals (desired and noise). Therefore they both enter the receiver, resulting in degradation of the desired signal.



It is impractical to prevent all arcing in the standard vehicle electrical system. In an 8-cylinder engine running at 2,000 RPM, arcing occurs across the spark plugs at a rate of 8,000 sparks per minute or 133 sparks per second. Electrical motors and generators also produce arcs.

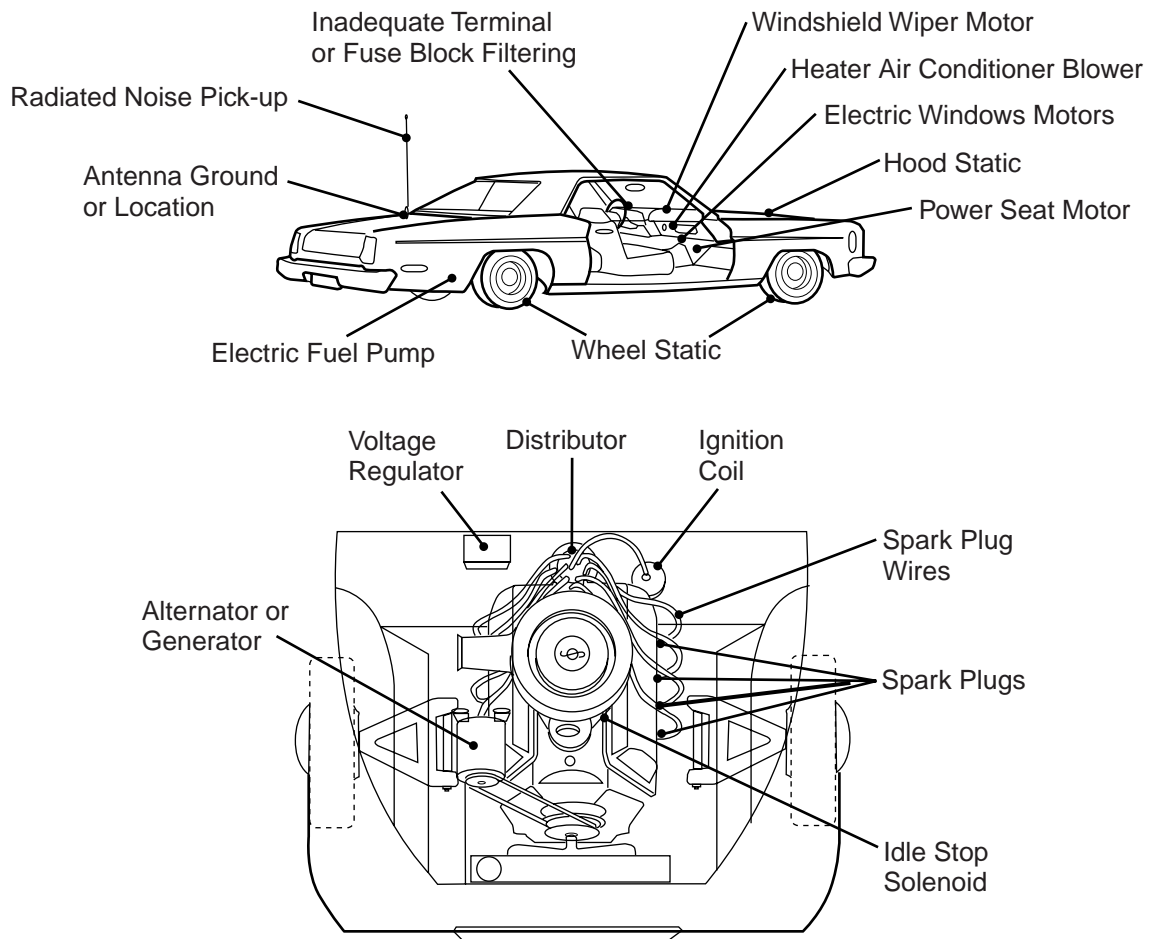


Figure 7-1. Noise Sources

### 7.3 Conducted Noise

Conducted noise enters the radio through the points where the radio is attached to the vehicle's electrical system such as battery cables, ignition switch, chassis ground etc. It can be generated by electrical transients, electrical motors, poor grounding points, or inadequate electrical system filtering (from alternators, generators, voltage regulators, or weak batteries). Conducted noise can degrade both transmit and receive performance of a mobile radio.

### 7.4 Induced Noise

Induced noise enters the radio through the proximity of radio wiring to other wiring in the vehicle. Electrical currents through the standard vehicular wiring can induce undesirable noise signals into the radio cabling. Communication is degraded simply because the wiring provides a transformer-type coupling action without any actual physical connection. Induced noise can degrade both transmit and receive performance of a mobile radio.

## Chapter 8

# Operation of a Conventional Ignition System

### 8.1 Introduction

To effectively reduce ignition interference in a vehicle, it is necessary to understand the operation of an automobile ignition system.

Ignition is necessary in a gasoline engine to ignite the gasoline vapor and the air mixture in its cylinders. The system is made up of the battery, distributor, breaker points, coil, condenser, and spark plugs. The battery is the only electrical source of power in an automobile, so the lower battery voltage must be stepped up to the high voltage necessary to arc across the spark plug electrodes. This arc ignites the gas mixture.

### 8.2 Sources of Ignition Interference

In the conventional ignition system (Figure 8-1) a mechanical circuit breaker (the cam and points in the distributor) opens the primary circuit of the ignition coil, and high voltage is developed at the secondary. This high voltage is synchronized and applied to each spark plug by the distributor.

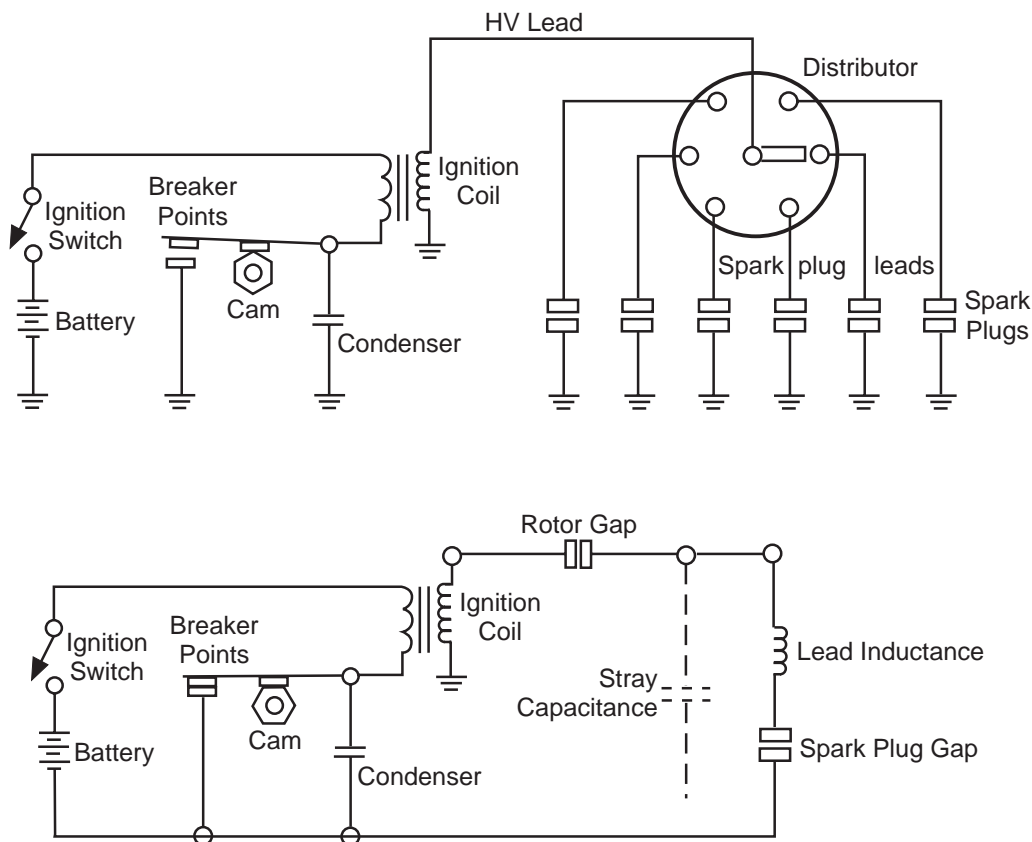


Figure 8-1. Typical Vehicular Ignition System, Simplified Schematic Diagram

---

The battery is connected to the primary winding of the coil through the ignition switch. The primary circuit is returned to the battery through the breaker points, which are bypassed by the condenser. The points are normally closed. As the cam shaft is rotated by the engine, its lobes or corners open and close the points in proper synchronization with the piston in each cylinder.

With the ignition switch on and the breaker points closed, coil primary current builds up at a rate determined by the coil inductance.

When the breaker points open, primary current decreases and, by self-induction, an electromotive force is induced in the primary which is many times greater than the battery voltage. The high voltage induced in the coil secondary causes a spark across the distributor rotor-to-spark plug wire gap and then across the spark plug gap for a short interval of time when the breaker points open. The condenser reduces arcing of the points.

The secondary circuit of the ignition coil, including the distributor rotor gap and the spark gap, is the main source of ignition interference. The lead inductance and stray capacitance provide a tuned circuit. Because the discharge of the circuit is through a low resistance (ionized spark gap), the circuit tends to oscillate. The frequency and amplitude of oscillation vary as current changes in the spark gap.

## Chapter 9

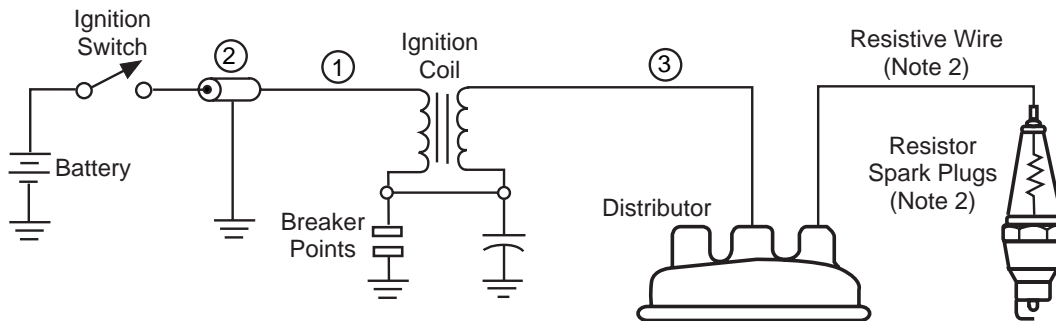
# Detection of Noise Sources

### 9.1 Noise Detection Procedure

Detection of offending noise sources is the heart of noise suppression because, after the noise source is identified, the solution becomes obvious. A logical step-by-step procedure is basic to effective noise suppression.

Use your available equipment to best advantage. A pick-up loop, about one inch in diameter, can be connected to a portable CB radio or a mobile radio being operated at a frequency similar to the installed radio frequency but from an isolated supply voltage. The pick-up loop can be moved throughout the vehicle with the radio used as a radiated noise detector. Be sure the pick-up loop has sufficient insulation to prevent the input of the radio from coming into direct contact with high voltage points in the vehicle ignition system.

A non-polarized bypass capacitor, which has alligator clips firmly attached, can be used on a trial-and-error basis to locate wiring which needs additional filtering. Keep capacitor lead lengths short for best suppression. Ceramic disc capacitors are not as suitable or effective as automotive coaxial capacitors. (See Figure 9-1 for part numbers.)



**Notes:**

1. Noise reduction can only be achieved if components are grounded properly.
2. Items not supplied in kit. See auto parts dealer.

Figure 9-1. RLN5277 Noise Reduction Kit for Alternator-Equipped Vehicles

## 9.2 Sources of Noise

Some interference is due to geographic location. This interference does not need to be eliminated since it is possible for the vehicle to be moved away from the interfering noise source. Noise from power lines, fluorescent lights, and other vehicles (emitting high levels of radiated noise) are examples of noise which depend upon location. Make certain that you are not attempting to suppress noise in a vehicle while it is in a noisy location. If you suspect that your location is noisy, simply turn off everything in the vehicle except the radio and listen to the remaining ambient noise. If the noise level is objectionable, you may have to noise suppress the vehicle during a less noisy time of day or in a different, quieter location.

Check the installed radio for conducted and inducted noise by using an unmodulated signal generator to supply a clean RF signal through a coaxial cable directly to the antenna connector on the radio set. This should prevent radiated noise from entering the receiver and masking conducted and induced noise. Make certain that the signal generator is not microphonic and is placed away from the noise of the engine and exhaust.

Operate the controls for fans, blowers, power windows, headlamps, turn signals, windshield wipers, and other electrical accessories. Listen for the presence of noise in the received radio signal. This will allow the source of the interference to be determined. Some noise sources cannot be turned on and off at will. These sources will need to be attacked piecemeal on a trial and error basis: alternator whine, voltage regulators, electric fuel pump, and other possible sources. Remember that induced noise can result from radio wiring being too close to other vehicle wiring. This problem is most easily solved by proper cable routing at the time of installation.

Radiated noise must be attacked after conducted and induced noise has been satisfactorily suppressed. **The vehicle ignition system is usually the primary source of this interference.** Antenna placement can be critical in some installations. Remember that static discharge generates static or radiated noise and will probably be generated only when the vehicle is in motion.

Since radiated noise interference is most noticeable in weak signal areas, it is suggested that suppression be finalized while listening to a weak "on frequency" signal. (The squelch should be "open" so that even marginal signals can be heard.)

# Chapter 10

## Noise Reduction Techniques

### 10.1 General

There are three basic ways to suppress noise. The first is the addition of resistance in circuits subject to ringing. This method is used for the ignition coil HV cable, spark plug wires, and spark plugs. The second is to filter noise from low voltage wiring using coaxial bypass capacitors. The third is to control static charge build-up using wipers for movable parts such as automobile hoods and trunk lids, or flexible bonding leads for fixed members. Static in wheels may also be controlled using collector rings. Applications of each of these techniques are discussed below.

The vehicle manufacturer's service manual may also provide noise suppression information which is valuable in any first attempt at noise suppression.

### 10.2 Ignition System Interference

#### 10.2.1 Engine Maintenance and Tune-Up

The most important step in reducing ignition noise is ensuring that the engine is in proper tune. Pay particular attention to the following points if the noise interference from the ignition system is severe:

1. Be sure the spark plugs distributor points, and condenser are in good condition.
2. Be sure ignition timing is properly adjusted.
3. Be sure the distributor cap and rotor are in good condition. They should be replaced at least every 30,000 miles.
4. Be sure that spark plug wires make good, solid contact at each end and are routed as far as possible from low voltage leads.
5. Many late-model automobiles are equipped with a shield over the distributor points. Check to see that this shield is properly positioned and securely attached.

#### 10.2.2 Available Noise Reduction Kits

Motorola offers one noise reduction kit: Model TLN5277 for alternator-equipped vehicles. This kit is for suppression of noise in the primary and secondary of the ignition coil and for bleeding of static charges on the hood. The TLN5277 also is used to suppress noise from the generator and voltage regulator. Figure 9-1, on page 20 illustrates the kit's usage.

Most auto parts dealers can supply 0.05  $\mu$ F bypass capacitors (condensers), resistive ignition wires, and resistor spark plugs. The type of spark suppression used in noise reduction should always be in accordance with the recommendations of the vehicle manufacturer, that is, if spark plugs are to be replaced with built-in suppressor types, they should be in the proper heat ranges and thread sizes for the particular engine. In each ignition system, there is a maximum amount of resistance that may be connected between the distributor and a spark plug. If resistance-type ignition wire is used, the length of each wire must be limited so that its resistance does not exceed the allowable maximum.

### 10.2.3 Ignition Coil Interference

This type of interference is characterized by a popping sound which is most noticeable when the engine is running slowly. To suppress the noise, connect a 0.1  $\mu\text{F}$  coaxial capacitor (Motorola Part No. 0882571B02) from the battery side of the ignition coil to vehicle ground (see Figure Figure 10-1). This keeps the distributor noise from being conducted through the battery lead into the electrical system of the vehicle. Note that some electronic ignition systems do not route the battery lead to the ignition coil; proper operation of the ignition system can be impaired if the "input" terminal is bypassed.

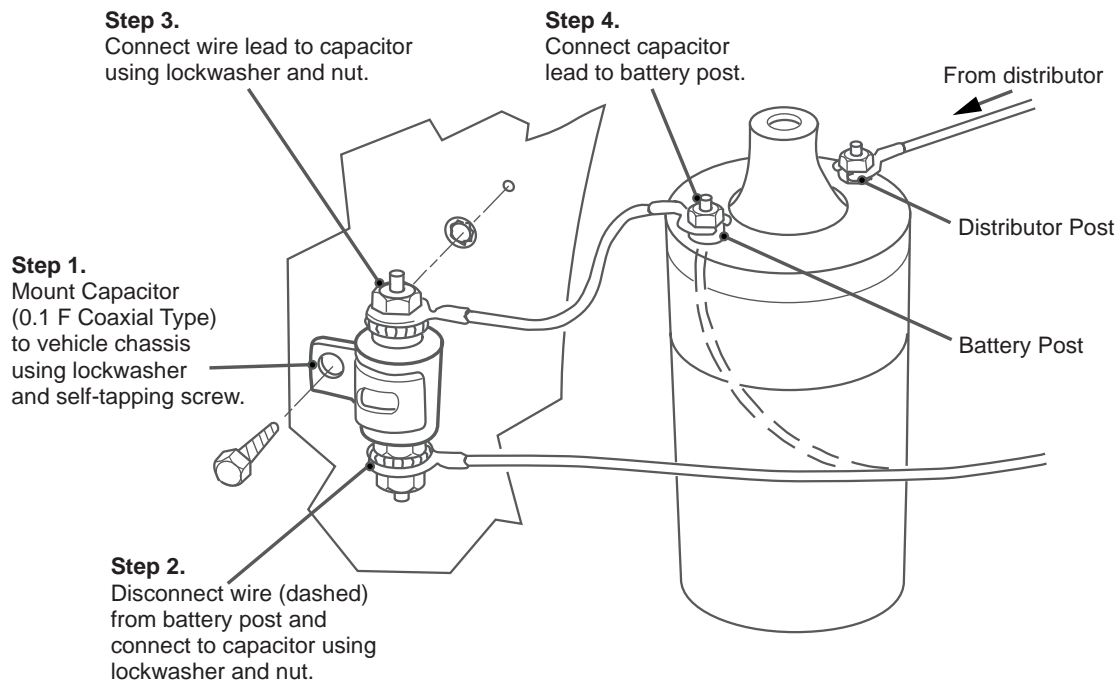


Figure 10-1. Ignition Coil Noise Suppression

### 10.2.4 Distributor Interference

This type of interference is characterized by popping sounds which are present at all engine speeds. It is caused by sparking between the rotor and the distributor cap inserts as the rotor turns. To suppress this noise, use resistance ignition wire to connect the ignition coil to the distributor cap.

### 10.2.5 Battery Connections

The radio set power cable can pick up noise generated in the vehicle. This can be minimized by connecting the power cable directly to the battery instead of the fuse block. The battery acts like a large capacitor (about one Farad for a 50 amp/hour battery), which bypasses induced noise. The battery ground lead should be securely bonded to the vehicle frame. Undesirable parallel ground currents can be minimized by using the vehicle frame as a common ground point. If ignition switch control of the radio is desired, the radio power leads may be connected to the battery through a relay which is controlled by the ignition switch.

### 10.3 Alternator

This type of interference is characterized by a high-pitched whine which varies with engine speed. A 0.5  $\mu$ F coaxial capacitor (Motorola Part No. 0882571B01) can be used to bypass the whine. For generators, the capacitors is connected in the armature lead. Never use a capacitor in the field lead. Use the field suppressor assembly supplied in the TLN5277 Noise Reduction Kit. For alternators, the capacitor is connected in the lead to the battery post (see Figures 10-2 and 10-3).

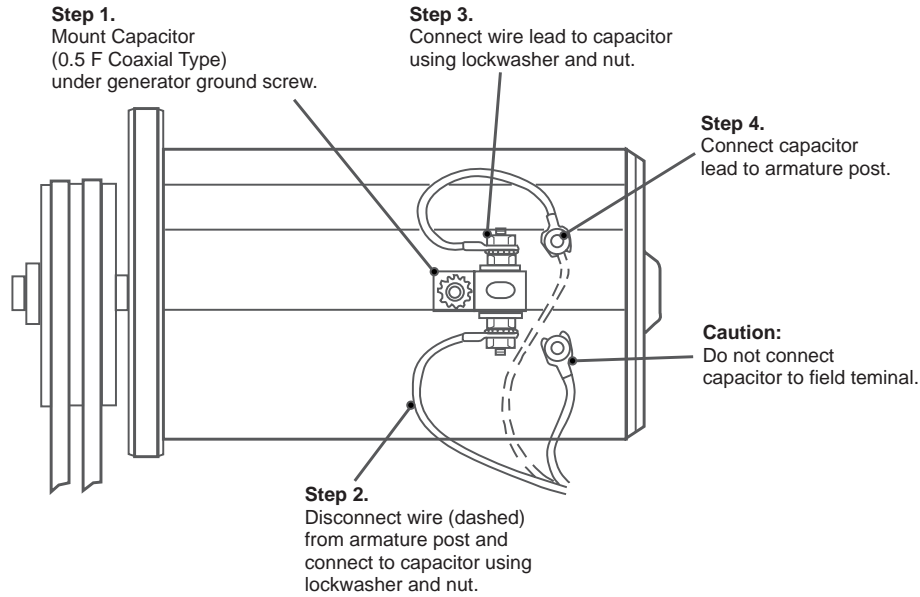


Figure 10-2. Generator Whine Suppression

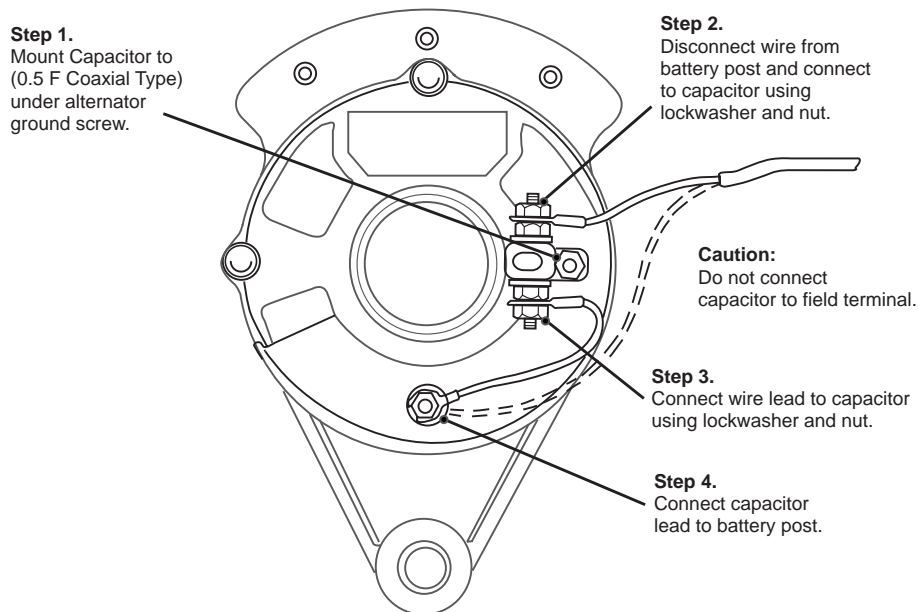


Figure 10-3. Alternator Whine Suppression



## 10.4 Voltage Regulator Noise

This type of interference is characterized by erratic popping noises which change only slightly with changes in engine speed. The noise is generated by arcing in the vibrating breaker contacts of the voltage regulator. It can be suppressed by connecting a  $0.5\ \mu\text{F}$  coaxial capacitor (Motorola Part No. 0882571B01) in the battery and armature leads of the voltage regulator (see Figure 10-4).



**CAUTION: Disconnect the battery ground terminal before attempting to connect components to the voltage regulator.**

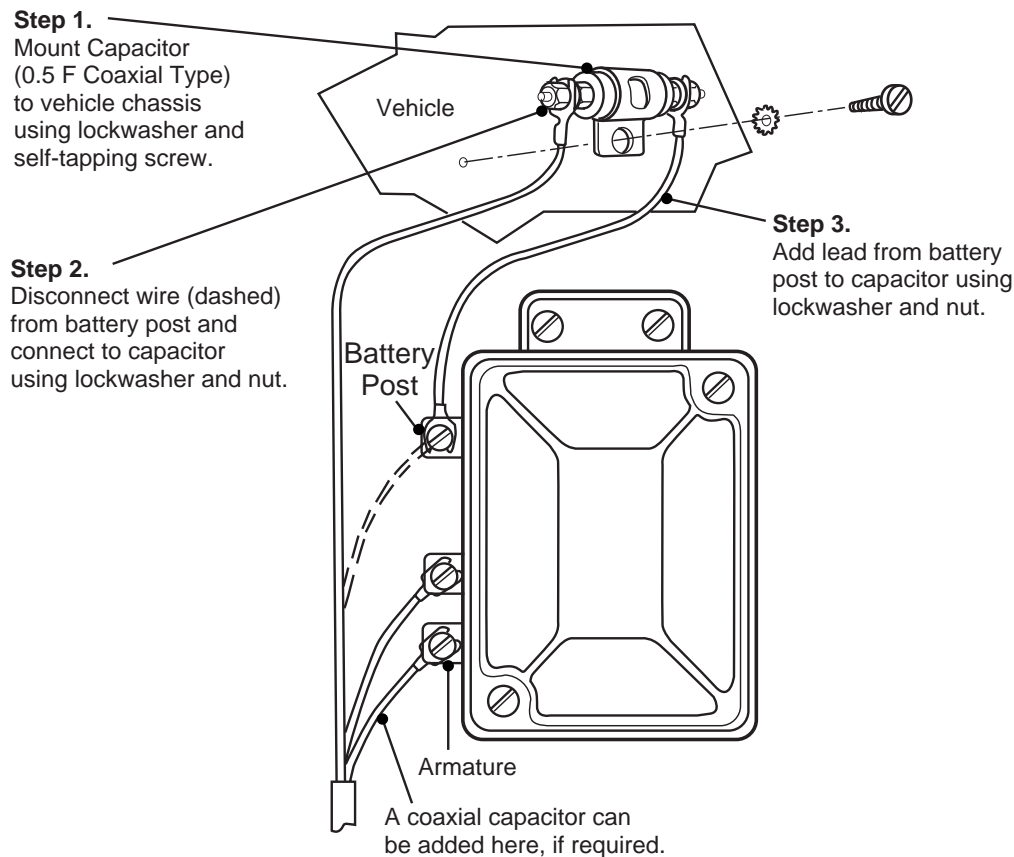


Figure 10-4. Voltage Regulator Noise Suppression

## 10.5 Hood and Trunk Lid Noise

This type of noise is characterized by irregular popping sounds. It is caused by friction in poorly bonded automobile hoods or trunk lids. This friction causes static electricity to build up until arcing occurs. This type of noise is suppressed using a Motorola Hood Wipers and Mounting Hardware Kit (part of the TLN5277 Noise Reduction Kit) which provides electrical bonding of the hood or trunk to the vehicle body while permitting them to be opened.

## 10.6 Other Electrical Noises

Other elements of the electrical system which can generate noise are listed below. These can be suppressed by connecting a  $0.5\ \mu\text{F}$  bypass capacitor between the noise source and ground.

1. Ammeter-to-battery lead
2. Gauges (oil, fuel, temperature)

3. Ignition Switch
4. Lamp bulbs (headlamps, tail lamps, dome lamps, etc.)
5. Accessory wiring (electrical fuel pump, electric windshield wipers, heater fan motor, window openers, etc.)

## 10.7 Ground Bonding

If a vehicle is not properly bonded to ground, static charges can increase. This increase can cause noise from electrical arcing. This type of noise is suppressed by bonding the part using one-inch wide ground straps (keep them as short as possible). Some common points where bonding may be helpful are listed below (see Figure 10-5).

- A. From engine block to the firewall.
- B. From engine block to vehicle frame at points where the engine is shock-mounted.
- C. From the battery ground terminal to the vehicle body.
- D. From top of front wheel "A" frames to chassis, particularly in cases where rubber-mounted members are used.

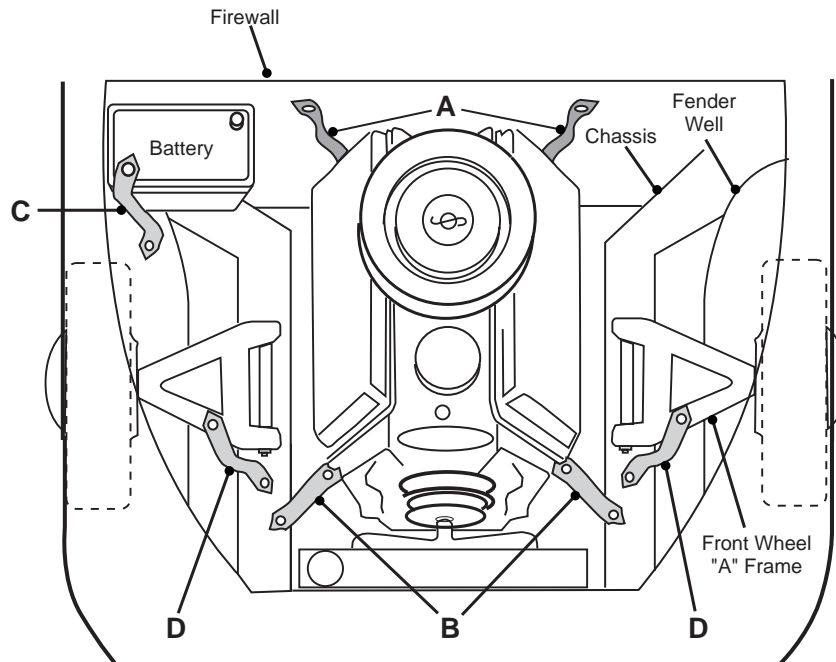


Figure 10-5. Ground Bonding





MOTOROLA, the Stylized M Logo, and Radius are registered in the US Patent & Trademark Office.  
All other product or service names are the property of their respective owners.  
© 2002 Motorola, Inc. All rights reserved. Printed in U.S.A.



**68P02966C25-O**