

# EZ Start Virtual Projector

THIS PRODUCT IS NOT A TOY! Please read this entire instruction booklet before using. For Indoor and Outdoor use.

## INSTRUCTION MANUAL

### 1. Parts Included

User Manual	1pc
Power Adaptor	1pc
Hologram Illusion	1pc
Mesh Screen	
Tripod	1pc

### 2. Screen Hanging Instructions

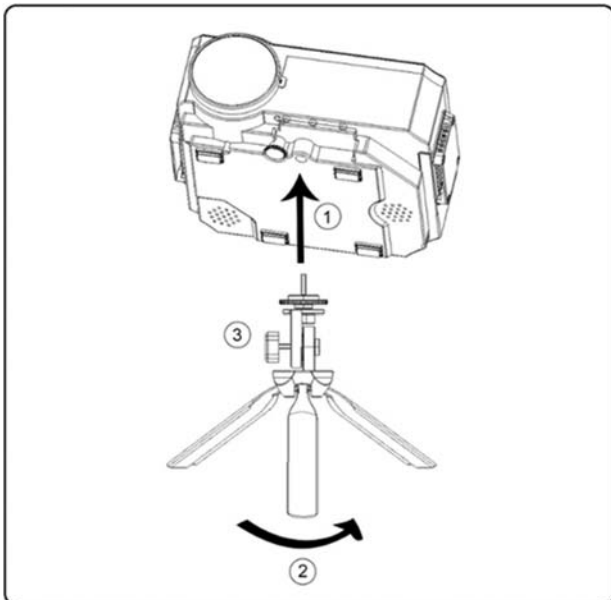
File	Format	Sub-fix	Decoding
Video Files	MPEG1	. mpg	
	MPEG2	. mpg	
	MPEG4	. avi/. mp4	DIVX, XVID
	RM, RMVB	. rm	RV8\9\10
	H264	. mkv/. mov	MPEG1, 2, 4
	MOV	. avi/. mp4	
	MJPEG	. avi	
	FLV	. flv	H264
	DIVX	. divx/. avi	MPEG.

### 3. Screen Hanging Instruction

- 3.1. Choose a dark location to hang the screen.
- 3.2. Hang the screen by tying the four corners to stable objects such as trees, posts, etc. The screen should be as taut as possible.
- 3.3. Hanging material such as strings and wires are not included.
- 3.4. Weather conditions should be taken into consideration when hanging the screen and using the projector outside. Do not use during severe weather.

### 4. Tripod Set Up

- 4.1 Line up the tripod screw and guide in.
- 4.2 Turn the tripod clockwise to lock the base on to the projector unit
- 4.3 Adjust the angle of the projector by loosening the screw on the side of the tripod (3). After the projector is at the desired angle, tighten the tripod screw.



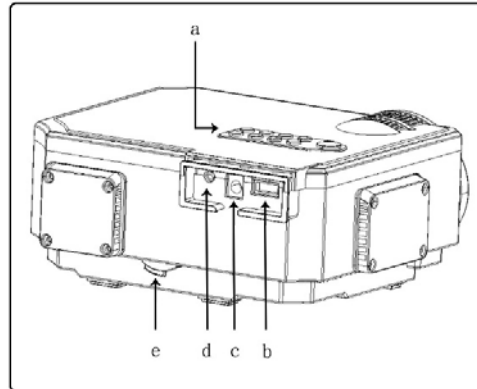
### 5. ATTENTION

- 5.1. Please read this manual carefully before use.
- 5.2. To ensure stable power supply, please use an outlet with grounding.
- 5.3. Please use the power supply provided with the projector. Please see qualified service personnel for repairs.
- 5.4. Please do not dismantle the projector.
- 5.5. Looking directly in to the lens may cause eye irritation.
- 5.6. Do not place the projector anywhere that obstructs ventilation to the projector.

### 6. Projector Placement and Focus

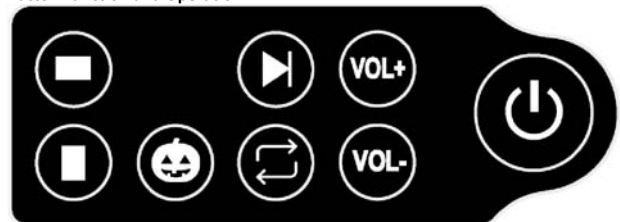
To achieve the most realistic effect, place the projector and screen in the darkest location possible. You should attempt to fill the screen as much as possible. Move the projector backwards or forwards as needed. Once in the proper place, turn the lens to focus.

### 7. Projector Information



- a. Button Panel
- b. USB Socket
- c. Power Input
- d. Aux Input
- e. Keystone (Trapezoidal correction gear, angles image up/down)

### 8. Button Function and Operation










- 8.1. Start the unit by pressing the button.
- 8.2. Press to start the pre-loaded movie.
- 8.3. Press to play the next movie.
- 8.4. Press or to change the screen setting.
- 8.5. Press to repeat the same movie. Press again to play the next movie.
- 8.6. Press to increase the volume.
- 8.7. Press to decrease the volume.

# EZ Start Virtual Projector

THIS PRODUCT IS NOT A TOY! Please read this entire instruction booklet before using. For Indoor and Outdoor use.

## INSTRUCTION MANUAL

### 9. To Play Movie Using USB

- 9.1. Insert USB into the USB port. Please note the projector cannot work with USB version over 2.0.
- 9.2. The projector will automatically search all movies and start playing the first stored movie.
- 9.3. Press  to play the next movie.
- 9.4. Press  or  to change the screen setting.
- 9.5. Press  to repeat to play the same movie. Press again to play the next movie.
- 9.6. Press  will start playing the pre-loaded movie.
- 9.7. Press  to increase the volume.
- 9.8. Press  to decrease the volume.

### 10. To Play Sound Through Bluetooth® Speaker

- 10.1. Turn on your Bluetooth® speaker and ensure it is in Bluetooth mode.
- 10.2. The unit connects to your Bluetooth® speaker automatically.
- 10.3. Once connected, the unit will play the sound through the Bluetooth speaker.
- 10.4. Please ensure there is only ONE Bluetooth® speaker or device turned on. The connection may be hindered if there is more than one Bluetooth device around the unit.

### 11. CARE INSTRUCTIONS

- a. Before using or reusing, inspect product carefully. Discard any products that have cracks in enclosure or exposed wire.
- b. When storing the product, carefully remove from the current location to avoid any undue strain or stress on the conductors, connections and wires.
- c. When not in use, store neatly in a cool, dry location protected from sunlight and heat.
- d. If necessary, clean product by wiping with a soft, dry cloth. Do not use any corrosive cleanser or chemical solution on this item.

### 12. SAFETY INSTRUCTIONS AND WARNINGS

**WARNING: THIS IS NOT A TOY! THIS PRODUCT CONTAINS SMALL PARTS WHICH COULD CAUSE CHOKING IF SWALLOWED.**

**TO PREVENT FIRE OR SHOCK HAZARD, DO NOT REMOVE COVER. NO USER SERVICEABLE PARTS INSIDE. IF SERVICING IS NEEDED, SEND TO QUALIFIED SERVICE PERSONNEL.**

**THE SOCKET-OUTLET SHALL BE INSTALLED NEAR THE EQUIPMENT AND SHALL BE EASILY ACCESSIBLE**

**CAUTIONS FOR PROJECTOR AND ADAPTOR:**

**RISK OF ELECTRIC SHOCK – DO NOT OPEN**

#### PLEASE ADHERE TO THE FOLLOWING:

- a. Read Instructions - All safety and operating instructions should be read before the item is operated. Please adhere to the instructions and warnings for your safety.
- b. Heat - The item should be situated away from heat sources such as radiators, hairdryers, heat registers, stoves or other appliances that produce heat.
- c. Moisture - The item should be situated away from water or any other liquids. Do not splash, spill or immerse this item into any liquid.
- d. Damage Requiring Service - Have a qualified service personnel service this item when:
  - i) Objects have fallen or liquid has spilled into the item.
  - ii) The item has been exposed to rain or moisture.
  - iii) All troubleshooting techniques have been tried and the item will not work or has stopped working.
  - iv) The item has been dropped or the enclosure damaged.

Federal Communications Commission Code, Part 15:

NOTES: This equipment has been tested and found to comply with the limits for a Class B digital device pursuant to Part 15 of the FCC Rules. These limits are designed to provide reasonable protection against harmful interference in a residential installation. This equipment generates uses and can radiate radio frequency energy and, if not installed and used in accordance with the instructions, may cause harmful interference to radio communications.

However, there is no guarantee that interference will not occur in a particular installation. If the equipment does cause harmful interference to radio or television reception, which can be determined by turning the equipment off and on, the user is encouraged to correct the interference by one or more of the following measures:

- a. Reorient or relocate the receiving antenna;
- b. Increase the separation between the equipment and the receiver;
- c. Connect the equipment to an outlet on a circuit different from that to which the receiver is connected;
- d. Consult the dealer or an experienced radio/TV technician for help.

Warning: Changes or modification to this unit not expressly approved by the party responsible for compliance could void the user's authority to operate the equipment.

This device complies with Part 15 of the FCC Rules. Operation is subject to the following two conditions:

- a. This device may not cause harmful interference, and
- b. This device must accept any interference received, including interference that may cause undesired operation.

The following is only applicable to customers in the USA:

For more information about this product, please call 1-800-467-9627, or visit our website [www.mrchristmas.com](http://www.mrchristmas.com). We will be happy to help you!

#### NINETY-DAY LIMITED WARRANTY

Manufacturer warrants the original customer / purchaser of the EZ START VIRTUAL PROJECTOR that they will be free from defects in material and workmanship for a period of ninety (90) days from date-of-purchase. Any liability under this warranty shall be limited to the repair or replacement of defective parts without charge if the item is returned with shipping charges prepaid together with proof of date-of-purchase, name and mailing address of the original consumer / purchaser. This warranty does not cover defects caused by damages in transit, abuse, accident, negligence or repairs made by others. This warranty gives the original consumer / purchaser specific legal rights. The original consumer / purchaser may also have other rights which vary from state to state.