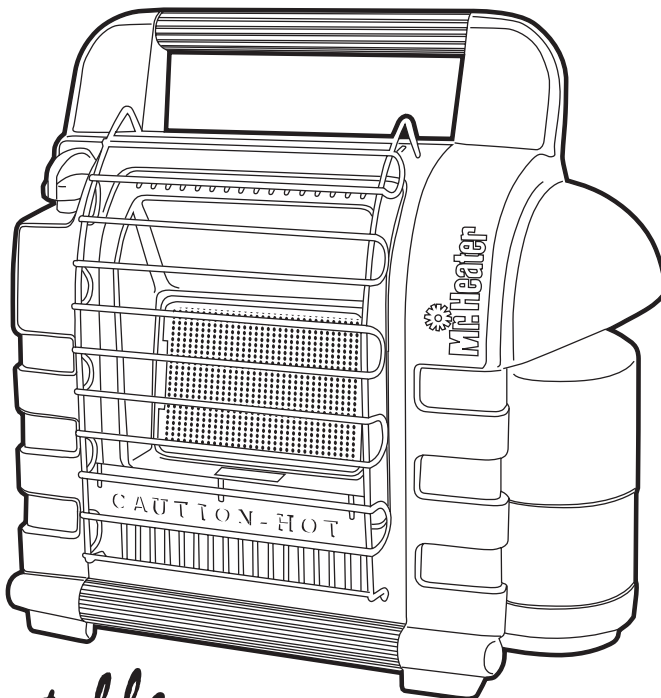




# OPERATING INSTRUCTIONS AND OWNER'S MANUAL

Model #  
MH9B

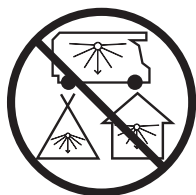
**READ INSTRUCTIONS CAREFULLY:** Read and follow all instructions. Place instructions in a safe place for future reference. Do not allow anyone who has not read these instructions to assemble, light, adjust or operate the heater.



## Portable **Buddy**

PORTABLE PROPANE HEATER FOR  
RECREATIONAL AND OUTDOOR USE  
ONLY

**! DANGER:**



**CARBON MONOXIDE HAZARD**

This appliance can produce carbon monoxide which has no odor. Using it in an enclosed space can kill you. Never use this appliance in an enclosed space such as a camper, tent, car or home.

**FOR YOUR SAFETY**

- If you smell gas:
1. Do not attempt to light appliance.
  2. Extinguish any open flame.
  3. Disconnect from fuel supply.

**FOR YOUR SAFETY**

Do not store or use gasoline or other flammable vapors and liquids in the vicinity of this or any other appliance.

## WARNING:

⚠ Every time hose or tank is connected to unit, connection must be checked for leaks in one or more ways: Apply soapy water to connection, look for bubbles, listen for hiss of escaping gas, feel for extreme cold, smell for rotten egg odor. Do not use if leaking!

## WARNING:

⚠ Any changes to this heater or its controls can be dangerous.

## WARNING:

⚠ Early signs of carbon monoxide poisoning resemble the flu, with headache, dizziness and/or nausea. If you have these signs, heater may not be working properly. Get fresh air at once! Have heater serviced.

## THE STATE OF CALIFORNIA REQUIRES THE FOLLOWING WARNING:

## WARNING:

Combustion by-products produced when using this product contain carbon monoxide, a chemical known to the State of California to cause cancer and birth defects (or other reproductive harm).

## CONTENTS

General Safety Instructions .....	3
General Information .....	3
Operating with Disposable Propane Cylinders .....	4
Operating With Hose Connected to Remote Cylinder .....	4
Maintenance .....	5
Troubleshooting .....	6
Parts List .....	6
Parts Ordering Information .....	8
Service Information .....	8

## SPECIFICATIONS

MODEL NO. ....	MH9B
GAS TYPE .....	PROPANE
INPUT BTU/HR. ....	4,000 / 9,000

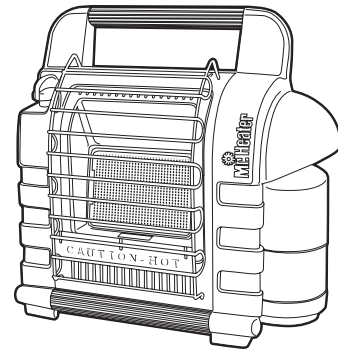
### CLEARANCE TO COMBUSTIBLES

TOP .....	30"
FRONT .....	24"
SIDES .....	6"
REAR .....	0"

## GENERAL SAFETY INSTRUCTIONS

**THIS IS A HEATING APPLIANCE. DO NOT OPERATE THIS APPLIANCE WITHOUT THE FRONT WIRE GUARD INSTALLED**

- Due to high temperatures, the appliance should be located out of traffic and away from combustible materials.
- Children and adults should be alerted to the hazard of high surface temperatures and should stay away to avoid burns or clothing ignition.
- Young children should be carefully supervised when they are near the appliance.
- Do not place clothing or other flammable material on or near the appliance.
- Do not operate heater in any moving vehicle.
- This heater is for outdoor use only.
- GAS PRESSURE AT HEATER IS REGULATED AND FIXED AT 11" W.C. WHEN USING A REMOTE HOSE CONNECTION DO NOT REGULATE OR REDUCE PROPANE TANK SUPPLY PRESSURE TO HEATER!
- REGULATOR IN HEATER MUST ALWAYS BE IN PLACE DURING OPERATION.
- Any safety screen or guard removed for servicing the appliance must be replaced prior to operating the heater.
- The appliance should be inspected before each use. Frequent cleaning may be required. The control compartments, burner and circulating air passageways of the appliance must be kept clean, see MAINTENANCE.
- DO NOT use this heater if any part has been under water. Immediately call a qualified service technician to inspect the heater and to replace any part of the control system and any gas control, which has been under water.
- When used without adequate combustion and ventilation air, this heater may give off excessive CARBON MONOXIDE, an odorless, poisonous gas.
- Some people - pregnant women, persons with heart or lung disease, anemia, those under the influence of alcohol, those at high altitudes - are more affected by carbon monoxide than others.
- When heater is placed on the ground, make sure the ground is level and keep any objects at least 24 inches from the front of the heater. THIS HEATER IS EQUIPPED WITH A TIP OVER SWITCH THAT WILL SHUT THE HEATER OFF IF THE HEATER TIPS OVER HOWEVER, DO NOT LEAVE HEATER UNATTENDED OR WHERE CHILDREN MAY CAUSE THE HEATER TO TIP OVER. NEVER OPERATE THE HEATER WHILE SLEEPING!



## GENERAL INFORMATION:

- When the heater is cold, it will take a few minutes for the burner tile to turn bright orange. This is normal and the heater is working properly. If burner tile is visibly flaming, turn heater off and call a qualified service technician.
- When the unit is lit, there should be about a quarter inch border around the tile that will not turn bright orange. This is normal.
- When operating the heater for the first time, the top area of the reflector may discolor. This is also normal and is no reason for concern.
- Designed to operate at altitudes up to 7,000 feet. When operating the heater at altitudes over 7,000 FT. above sea level, the unit may not burn as bright as in lower altitudes. This is normal. At higher altitudes, the heater may shut-off. If this happens, provide fresh air, wait 5 minutes and re-light.
- Operating time will vary depending on the heater setting and the supply cylinder size. 3 to 6 hours on a 1 lb. cylinder. 48 to 110 hours on a 20 lb. cylinder (based on "HI" and "LO" settings).
- When moving heater when lit or bumping heater setting it down, tip over switch may shut off heater. If this happens, re-light.

## LIGHTING / OPERATING INSTRUCTIONS FOR USE WITH DISPOSABLE 1 LB. PROPANE CYLINDERS:

**WARNING:** Always inspect propane cylinder and heater propane connections for damage, dirt, and debris before attaching propane cylinder. Do not use if head of cylinder is damaged, punctured or deteriorated.

ALWAYS ATTACH OR DETACH CYLINDER OUTDOORS AWAY FROM FLAMES, OTHER IGNITION SOURCES, AND ONLY WHEN HEATER IS COOL TO TOUCH. NEVER SMOKE WHEN ATTACHING OR REMOVING PROPANE CYLINDER OR MAKING REMOTE CONNECTIONS!

- Use only LP-gas cylinders marked in accordance with the U.S. Dept. of Transportation (DOT).
- Use only 16.4 oz. (1 lb.) disposable cylinders that mate with No. 600 valve connection.
- Heater and attached cylinder must be in an upright position during operation.
- Make sure four-position Control Knob is in "OFF" position; see Figure 1.

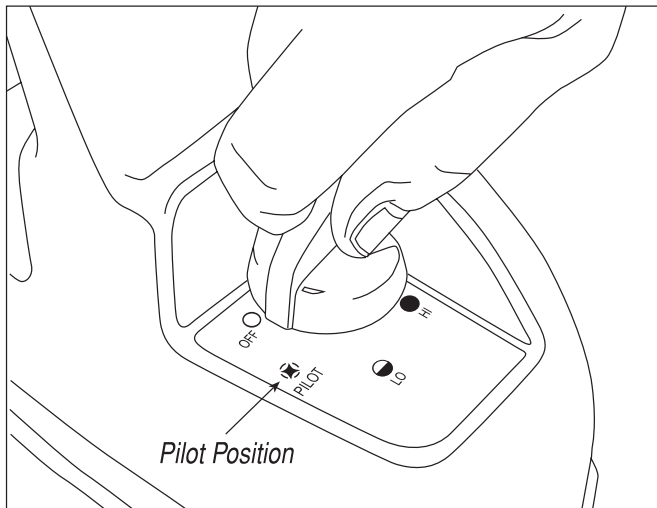


Figure 1

- Screw 1 lb. disposable LP-gas supply cylinder clockwise (from bottom) into portable heater until hand-tight.
- Check cylinder connection for leaks with soapy water at the threaded connection under the domed plastic cover where the cylinder screws into the regulator. SEE WARNING! ON PLASTIC COVER.
- Depress and turn Control Knob counterclockwise to "PILOT" position and hold for 30-60 seconds.
- Depress red spark ignition button to light pilot flame (repeat until pilot lights) and continue to hold Control Knob down and at "PILOT" position for 30-60 seconds to enable Pilot Light Safety System.
- Fully turn Control Knob to "HI" position to light burner tile. Leave on "HI" position until burner tile turns bright orange.
- After burner tile has turned bright orange, adjust heat

output by turning Control Knob to desired position ("LO" or "HI" setting)

- DO NOT OPERATE HEATER UNLESS CONTROL KNOB IS SECURED IN A POSITION MARKED "HI", "LO" or "PILOT".
- To shut off heater, slightly push down and turn Control Knob clockwise to "OFF" position.
- **CAUTION:** After turning heater off, wire guard will remain hot. Allow to thoroughly cool before storing.
- Do not operate, store or remove cylinder near flammable items or ignition sources.
- LP-GAS CYLINDERS MUST BE DISCONNECTED FROM HEATER WHEN NOT IN USE!

## LIGHTING / OPERATING INSTRUCTIONS FOR USE WITH HOSE CONNECTED TO A REMOTE CYLINDER, MAXIMUM SIZE 20 LBS:

- This heater may be used with a remote refillable propane cylinder ONLY when the cylinder and heater are located outdoors and the heater is used with Mr. Heater Hose No. F273701 or F273702.
- **DANGER:** NEVER bring a refillable propane cylinder indoors. A fire or explosion can occur causing property damage, serious injury or death!
- Inspect the hose before each use of the heater. If there is excessive abrasion or wear, or the hose is cut, replace prior to using the heater with one of the Mr. Heater Hose No's. shown above.
- The propane cylinder must include a listed overfilling protection device as well as a collar to protect the cylinder valve.
- Heater must be in an upright position during operation.
- Make sure four-position Control Knob is in "OFF" position; see Figure 1, at left.
- Screw hose connector into regulator on heater and screw connector on other end of hose into LP-gas supply cylinder valve. Tighten all hose connections.
- Check all hose connections for leaks with soapy water at the threaded connection under the domed plastic cover where the hose connector screws into the regulator and at LP-gas supply cylinder. SEE WARNING! ON PLASTIC COVER.
- Open valve at LP-gas supply cylinder.
- Depress and turn Control Knob counterclockwise to "PILOT" position and hold for 1 - 2 minutes. This may take longer to purge air from the supply hose depending on the length of the hose being used.
- Depress red spark ignition button to light pilot flame (repeat until pilot lights) and continue to hold Control Knob down and at "PILOT" position for 30-60 seconds to enable Pilot Light Safety System.

- Fully turn Control Knob to "HI" position to light burner tile. Leave on "HI" position until burner tile turns bright orange.
- After burner tile has turned bright orange, adjust heat output by turning Control Knob to desired position ("LO" or "HI" setting)
- DO NOT OPERATE HEATER UNLESS CONTROL KNOB IS SECURED IN A POSITION MARKED "HI", "LO" or "PILOT".
- To shut off heater, shut off propane at supply tank, allow heater to use-up propane in supply line until heater shuts off, then slightly push down and turn Control Knob clockwise to "OFF" position.
- **CAUTION:** After turning heater off, wire guard will remain hot. Allow to thoroughly cool before storing.
- When not in use, the gas must be turned off at the LP-gas supply cylinder. When the LP-gas supply cylinder is not disconnected from the heater, the heater and the cylinder must be stored outdoors, in a well ventilated space, out of reach of children, and must not be stored in a building, garage or any other enclosed area.
- Indoor storage of the heater is permissible only if the cylinder is disconnected and removed from the heater. Cylinders must be stored outdoors out of the reach of children and must not be stored in a building, garage or any other enclosed area.

## MAINTENANCE:

Always keep the heater area clear and free from combustible materials, gasoline and other flammable vapors and liquids.

Keep the vent areas (slots in the bottom and the top at the front of heater) clear at all times.

Visually inspect the pilot flame and burner periodically during use. The pilot flame should be blue in color (not yellow) and will extend beyond the thermocouple. The flame will surround the thermocouple just below the tip, see Figure 2, below. A slight yellow flame may occur where the pilot flame and main burner flame meet. The burner should be bright orange (with a slight

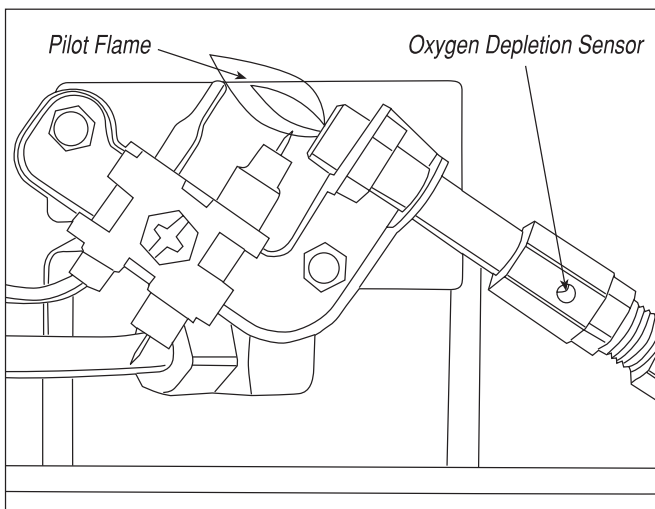


Figure 2

blue color around the border, a red-orange haze that is visible on the ceramic tile is acceptable) and without a noticeable flame. A blue flame that rolls out at the top of the ceramic tile indicates an accumulation of dust, lint or spider webs inside the casing assembly and main burner assembly. If the pilot is yellow or the burner has a noticeable flame, cleaning may be required. Use the following procedure to inspect the casing assembly and main burner assembly.

It is necessary to periodically check the burner orifice and burner venturi tube to make sure they are clear of insects/nests or spider webs that may accumulate over time. A clogged tube can lead to a fire.

- 1 Allow heater to thoroughly cool before performing any maintenance.
- 2 Remove disposable 1 lb. cylinder from heater or turn OFF gas supply at remote cylinder valve, and disconnect hose from heater.
- 3 Remove wire guard from front of heater by gently bending to remove from holes in front cover.
- 4 Remove (1) burner assembly retaining screw from bottom of the heater.
- 5 Pull burner assembly from front of the heater.
- 6 Inspect interior of casing assembly for accumulation of dust, lint or spider webs. If necessary, clean interior of casing assembly with a vacuum cleaner or apply air pressure. Do not damage any components within casing assembly when you are cleaning.
- 7 Inspect and clean main burner orifice (mounted to pilot bracket with jam nut) by using a vacuum or apply air pressure at orifice opening.
- 8 Inspect and clean pilot (mounted to bracket) by using a vacuum or apply air pressure through the holes in the pilot indicated by the arrows in Figure 2, at left.
 

**WARNING:** Never use needles, wires, or similar cylindrical objects to clean the pilot to avoid damaging the calibrated ruby that controls the gas flow.
- 9 Apply air pressure into ceramic tile of burner assembly and the venturi tube (with cone on end) to remove dust, lint or spider webs.
- 10 Make sure the burner tile assembly is completely seated against the reflector.
- 11 Carefully slide burner assembly back into casing assembly making sure to center reflector flange with the casing opening and hold in place while installing burner assembly screw in the bottom of the heater.
- 12 Install wire guard by gently bending and inserting into the (4) holes in the front cover.

## TROUBLESHOOTING INFORMATION:

**If Spark electrode does not produce spark.**

### CHECK

- Spark electrode broken – replace.
- Igniter wire may not be attached to spark electrode, ground wire may not be attached to frame - attach.
- Igniter wire damaged – replace.
- Piezo igniter defective – replace.

**If Spark electrode produces spark but pilot does not light.**

### CHECK

- No gas to heater – install disposable cylinder or connect hose and turn on valve at remote cylinder.
- “PILOT” position not properly aligned – turn gas control knob to “PILOT” position and depress.
- Pilot is blocked from spider web or dirt – clean pilot, see MAINTENANCE.

**If Pilot flame does not stay lit when knob is released.**

### CHECK

- Control knob in “PILOT” position not completely depressed or held in long enough to purge air from lines.
- Pilot flame not surrounding thermocouple – clean pilot, see MAINTENANCE.
- Pilot Assembly defective – replace.

**If Main burner does not ignite.**

### CHECK

- Main burner orifice is blocked – clean burner, see MAINTENANCE.

**If Heater keeps shutting “OFF” during normal operation.**

### CHECK

- Pilot is blocked – clean pilot, see MAINTENANCE.
- Tip over switch activated from bumping heater. Re-light

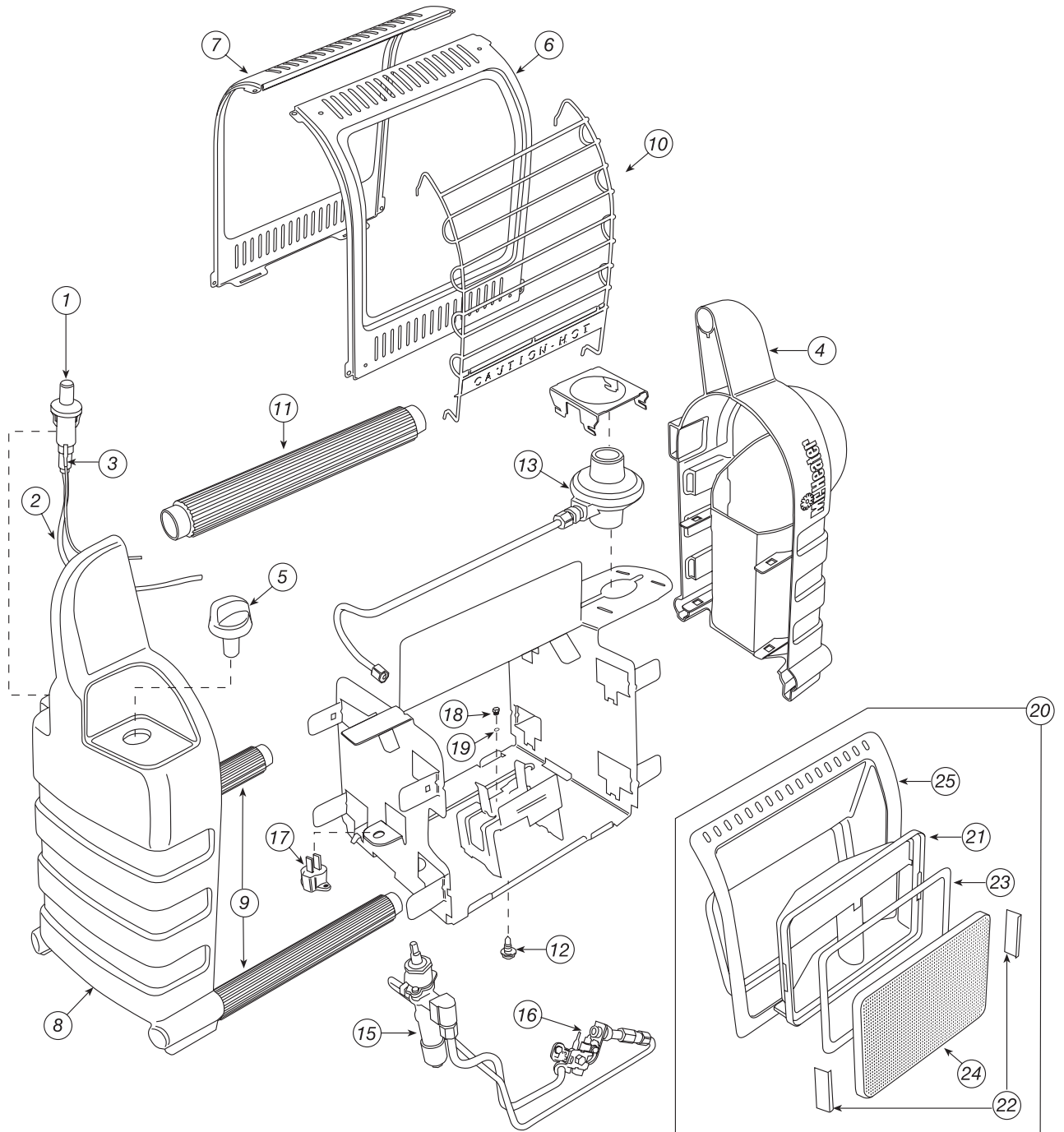
## PARTS LIST:

SEE BACK PAGE FOR PARTS ORDERING INFORMATION

REF. #	ITEM #	DESCRIPTION
1	73234	PIEZO IGNITER
2	73236	WIRE, IGNITER
3	73237	WIRE, GROUND
4	73405	COVER, RH PLASTIC
5	73418	KNOB, FUEL CONTROL
6	73423	COVER, FRONT
7	S73485	COVER, REAR WITH LABEL
8	73426	COVER, LH PLASTIC
9	73428	(2) BASE SUPPORT TUBES
10	73449P	GUARD, WIRE
11	73452	HANDLE TUBE
12	98959	SCREW, BURNER MT.
13	11410	REGULATOR
14	S73484	OWNER’S MANUAL <i>(Required when ordering parts.)</i>
15	73416	CONTROL VALVE
16	73404	PILOT ASSEMBLY
17	73403	TIP SWITCH
18	73413	ORIFICE, BURNER
19	71113	O-RING, BURNER ORIFICE
20	73446	COMPLETE BURNER ASSEMBLY <i>(Includes assembled items 21- 25)</i>
21	73458	PLENUM, BURNER
22	73429	(2) CLIP, BUNER TILE
23	73433	GASKET, BURNER TILE
24	73439	BURNER TILE
25	73460	REFLECTOR, BURNER

## ACCESSORIES:

ITEM #	DESCRIPTION
F273701	5 ft. PROPANE HOSE ASSEMBLY (Swivel 1”-20 Male Throwing Cyl. Thd. X P.O.L. w/ Handwheel)
F273702	12 ft. PROPANE HOSE ASSEMBLY (Swivel 1”-20 Male Throwing Cyl. Thd. X P.O.L. w/ Handwheel)
F273699	Fuel Filter



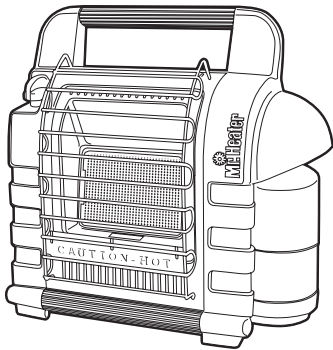




# OPERATING INSTRUCTIONS AND OWNER'S MANUAL

Model #

MH9B



Portable  
**Buddy**<sup>TM</sup>

## WARNING:

USE ONLY MANUFACTURER'S REPLACEMENT PARTS. USE OF ANY OTHER PARTS COULD CAUSE INJURY OR DEATH. REPLACEMENT PARTS ARE ONLY AVAILABLE DIRECT FROM THE FACTORY AND MUST BE INSTALLED BY A QUALIFIED SERVICE AGENCY. MR. HEATER HOSES F273701 AND F273702 ARE SPECIFICALLY DESIGNED FOR USE WITH THIS HEATER. USE OF OTHER HOSES MAY CAUSE THE HEATER TO BECOME INOPERABLE.

## PARTS ORDERING INFORMATION:

**PURCHASING:** Accessories may be purchased at any Mr. Heater local dealer or direct from the factory

## FOR INFORMATION REGARDING SERVICE

Please call Toll-Free 800-251-0001  
[www.mrheater.com](http://www.mrheater.com)

Our office hours are 8:30 AM – 5:00 PM, EST, Monday through Friday.

Please include the model number, date of purchase, and description of problem in all communication.

## LIMITED WARRANTY

Enerco Group, Inc., warrants its heaters and accessories to be free from defects in material and workmanship for a period of 1 year from date of purchase. Mr. Heater will repair or replace this product free of charge if it has been proven to be defective within the 1-year period, and is returned at customer expense with proof of purchase to Mr. Heater within the warranty period.

Enerco Group, Inc., reserves the right to make changes at any time, without notice or obligation, in colors, specifications, accessories, materials and models.

ENERCO GROUP, INC., 4560 W. 160TH ST., CLEVELAND, OHIO 44135 • 216-881-5500  
Mr. Heater and Portable Buddy are registered trademarks of Enerco Group, Inc.  
© 2003, Enerco/Mr. Heater. All rights reserved



ANS Z21.63b. • CSA 11.3b - 2003