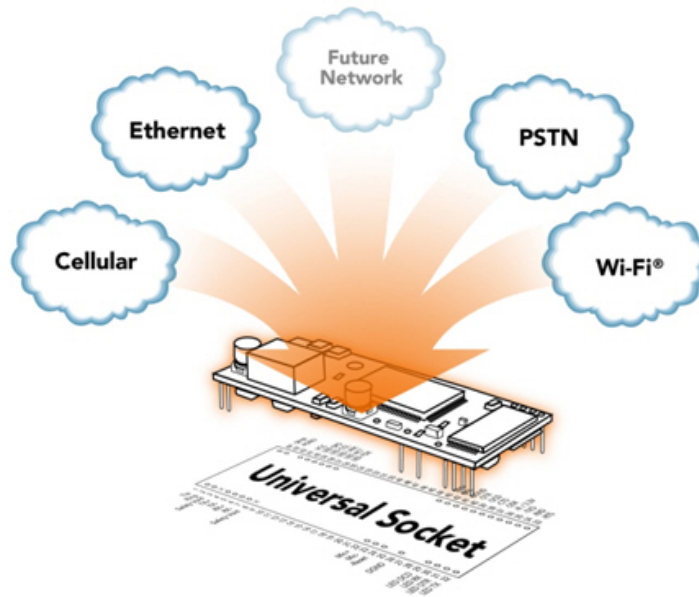


---

# Universal Socket Connectivity

## Embedded Device Networking Solutions

Comment [DAR1]: Resaved as cover page graphic.jpg 65KB 09/17/09 – filed under graphics new in K (poreviously COVER\_UniversalSocket-techclouds.jpg 9/02/09 555KB in Universal\_SocketModem/Graphics\_R ev\_F)



Hardware Guide for Developers



**Universal Socket Connectivity****Hardware Guide for Developers, PN S000342K, Version K**

For the following products (The list indicates base models for each product. See each product chapter product build options):

**Embedded Wireless Modems**

SocketModem® Cell – MTSMC-G2  
 SocketModem® Cell – MTSMC-G2-GP (Global Positioning)  
 SocketModem® iCell – MTSMC-G2-IP  
 SocketModem® CDMA – MTSMC-C1  
 SocketModem® EDGE – MTSMC-E1  
 Socket Modem® HSDPA – MTSMC-H

**Embedded Analog Modems**

SocketModem® – MT9234SMI  
 SocketModem® – MT5692SMI  
 SocketModem® – MT2492SMI  
 SocketModem® – MT2456SMI-22

**Embedded Device Servers**

SocketModem IP® – MT100SEM-IP  
 SocketWireless® Wi-Fi® – MT810SWM-IP  
 SocketWireless® Bluetooth® – MTS2BTSMI

**Copyright**

This publication may not be reproduced, in whole or in part, without prior expressed written permission from Multi-Tech Systems, Inc. All rights reserved.

Copyright © 2004-9 by Multi-Tech Systems, Inc.

Multi-Tech Systems, Inc. makes no representations or warranties with respect to the contents hereof and specifically disclaim any implied warranties of merchantability or fitness for any particular purpose. Furthermore, Multi-Tech Systems, Inc. reserves the right to revise this publication and to make changes from time to time in the content hereof without obligation of Multi-Tech Systems, Inc. to notify any person or organization of such revisions or changes. See the Multi-Tech Web site for current revisions of documentation.

**Trademarks**

Trademarks and Registered Trademarks of Multi-Tech Systems, Inc. are **SocketModem**, **SocketWireless**, **SocketEthernet IP**, and the Multi-Tech logo.

**Microsoft** and **Windows** are trademarks or registered trademarks of Microsoft Corporation in the United States and other countries. **Bluetooth** is a registered trademark of the Bluetooth SIG, Inc. **Wi-Fi** is a registered trademark of the Wi-Fi Alliance.

**Warranty and Repairs Statement**

Please see the Multi-Tech Systems, Inc. Web site for the current Warranty and Repairs Statement.

<http://www.multitech.com/COMPANY/Policies/warranty/>

**World Headquarters**

Multi-Tech Systems, Inc.  
 2205 Woodale Drive  
 Mounds View, Minnesota 55112  
 Phone: 763-785-3500 or 800-328-9717  
 Fax: 763-785-9874  
 Internet Address: <http://www.multitech.com>

**Technical Support****Country**

Europe, Middle East, Africa:  
 U.S., Canada, all others:

**By Email**

[support@multitech.co.uk](mailto:support@multitech.co.uk)  
[support@multitech.com](mailto:support@multitech.com)

**By Phone**

+(44) 118 959 7774  
 800-972-2439 or 763-717-5863

## Revision Notes

Rev.	Date	Description
J.1	07/01/09	<ul style="list-style-type: none"> <li>• Reorganized the manual so that wireless products are grouped in Part 2, Analog SocketModems are grouped in Part 3, and Device Servers are grouped in Part 4</li> <li>• Added new products: MTSMC-G2 and MT100SEM-IP</li> <li>• Removed MT2456SMI-22 and MTSMC-G-F4 chapters</li> <li>• Removed the text for the Warranty and Repairs Statement and linked to the Multi-Tech Web site for the policy</li> <li>• Updated the Universal Developer Kit Contents</li> <li>• To Pin 24 Description: added Reset stats for MTSMC-G2, MTSMC-C, and MTSMC-E</li> <li>• Updated Mechanical Drawings for Analog Modems in Chapter 1</li> <li>• Added MTSMC-G2 to the Maximum Component Height</li> <li>• Fixed the 5V/3.3V Jumper on the Developer Board</li> <li>• Added the UFL-to-SMA Coax Cable information to Chapter 1</li> <li>• Added a new RF Safety section in Chapter 1</li> <li>• Added the MTSMC-G2 to the Upgrading Firmware Table</li> <li>• Changed/updated label example for CDMA and Analog SocketModems</li> <li>• Updated the EMC, Safety, and R&amp;TTE Directive Compliance Statement</li> <li>• Updated the EMC Requirements for the United States regulatory section</li> <li>• Added Thailand Approval Statement for the MT9234SMI</li> <li>• Added the Brazil Approval section</li> <li>• Added the English version of Chinese Standards section</li> <li>• For each listing of power consumption, added the following statement (required by QA): Multi-Tech Systems, Inc. recommends that the customer incorporate a 10% buffer into their power source when determining product load.</li> <li>• Changed the HSDPA max operating temperature to +60°C</li> <li>• Added sleep mode power stats for MT9234SIM</li> <li>• Updated the Ethernet Interface drawings (Non-Isolated &amp; Isolated Designs) for the MT100SEM-IP</li> <li>• Added an Auto Discovery Manager section to the MT100SEM-IP chapter</li> <li>• Updated/corrected the Tip and Ring drawings.</li> </ul>
J.2	07/30/09	<ul style="list-style-type: none"> <li>• Updated Mechanical Drawings for SocketModem Cell (MTSMC-G2) and SocketModem iCell (MTSMC-G2-IP).</li> <li>• Changed the title of two Mechanical Drawings in Chapter 1.</li> </ul>
J.3	08/28/09	<ul style="list-style-type: none"> <li>• Updated Mechanical Drawings for SocketModem GPRS (MTSMC-G2).</li> <li>• Added new Mechanical Drawings for SocketModem CDMA (MTSMC-C).</li> <li>• Added new Mechanical Drawings for SocketModem HSDPA MTSMC-H</li> </ul>
J.4	10/15/09	<ul style="list-style-type: none"> <li>• Added GPS section to G2 chapter (added the power draw table for G2 for GPS).</li> <li>• Brought back the chapter covering the SocketModem MT2456SMI-22.</li> </ul>
K	11/18/09	<ul style="list-style-type: none"> <li>• New chapters for new products: SocketModem MT5692SMI, Device Server MT810SWM-IP, and SocketModem EDGE (MTSMC-E1).</li> <li>• Deleted chapters SocketModem MT5656SMI and MT5656SMI-IP.</li> <li>• Added Sleep Mode Power Draw statistics for the SocketModem MT9234SMI.</li> <li>• Added new Mechanical Drawings for SocketModem HSDPA (MTSMC-H) and SocketModem CDMA (MTSMC-C).</li> <li>• Updated the Power Requirements for the MT2492SMI and MT5692SMI (10/16/09).</li> <li>• Added Global Positioning section for the SocketModem Cell / SocketModem iCell (MTSMC-G2) and GPS power draw.</li> <li>• Reorganized Chapter 1 – general information, wireless information, and analog information.</li> <li>• Added Japan's Standards statement.</li> <li>• Updated Mechanical Drawings in Chapter 1.</li> <li>• New Developer Board Block Diagram with antenna system added.</li> </ul>
L	11/18/09	<ul style="list-style-type: none"> <li>• Add new product CDMA (MTSMC-C1).</li> </ul>

# Table of Contents

<b>PART 1 – UNIVERSAL SOCKET CONNECTIVITY .....</b>	<b>9</b>
<b>Chapter 1 – Universal Socket Connectivity.....</b>	<b>10</b>
<b>Multi-Tech Embedded Solutions .....</b>	<b>10</b>
Universal Socket Connectivity Features .....	10
The Universal Socket Design.....	10
Universal Developer Kit Contents .....	11
AT Commands for All Embedded Products Are Included on the Developer Kit CD.....	11
<b>Universal Socket Pin Out .....</b>	<b>12</b>
Universal Pin Descriptions .....	12
<b>Design Considerations .....</b>	<b>16</b>
Noise Suppression Design Considerations.....	16
PC Board Layout Guidelines.....	16
Electromagnetic Interference (EMI) Considerations .....	17
Electrostatic Discharge Control.....	17
Phone Line Warning Statement for the Developer Board .....	17
<b>Mechanical Drawing in Inches for the Listed Products .....</b>	<b>18</b>
<b>Mechanical Drawing in Millimeters for Listed Products.....</b>	<b>19</b>
<b>Maximum Component Height / PCB Length and Width.....</b>	<b>20</b>
<b>SocketModem Developer Board .....</b>	<b>21</b>
Board Components .....	22
Jumpers and Corresponding Signals .....	22
SocketModem Developer Board Block Diagram.....	23
Developer Board Schematics .....	24
Developer Board Schematics .....	25
Developer Board Schematics .....	26
Developer Board Schematics .....	27
Developer Board Schematics .....	28
<b>Upgrading Firmware .....</b>	<b>29</b>
XMODEM Serial Port Upgrade .....	30
Multi-Tech Systems, Inc. Flash Programming Protocol .....	31
<b>Wireless Information .....</b>	<b>34</b>
Antenna System for Wireless Devices .....	34
Account Activation for Wireless Devices.....	37
Wireless Approvals and Labeling Requirements .....	37
<b>Analog Information .....</b>	<b>39</b>
Recommended Parts for Analog SocketModems .....	39
Analog Labeling Requirements.....	40
<b>Safety Notices and Warnings.....</b>	<b>43</b>
Wireless Safety .....	43
Analog Telecom Safety Warnings.....	44
Telecom Approvals for Analog Modems .....	45
<b>Regulatory Compliance Statements.....</b>	<b>46</b>
Country/Region-Specific Statements .....	46
Waste Electrical and Electronic Equipment Statement .....	51
Restriction of the Use of Hazardous Substances (RoHS).....	52
Information on HS/TS Substances according to Chinese Standards in English .....	53
Information on HS/TS Substances According to Chinese Standards in Chinese.....	54
<b>PART 2 – WIRELESS SOCKETMODEMS.....</b>	<b>55</b>
<b>Chapter 2 – SocketModem® Cell (MTSMC-G2) &amp; SocketModem® iCell (MTSMC-G2-IP) .....</b>	<b>56</b>
<b>Introduction .....</b>	<b>56</b>

Product Build Options and Ordering Information .....	56
AT Commands Reference Guides .....	56
Technical Specifications .....	57
DC Electrical Characteristics .....	58
Power Measurements .....	58
Mechanical Drawings – Basic Build .....	60
Application Notes .....	64
Flashing LED Interface .....	64
RF Performances .....	64
RF Connection and Antenna .....	64
Microphone Inputs .....	64
Changing the Quad Band .....	65
<b>Global Positioning System (GPS) .....</b>	<b>66</b>
Technical Specifications .....	66
Features .....	66
Underwriters Laboratories Required Global Positioning System (GPS) Statement .....	66
<b>Chapter 3 – SocketModem® CDMA (MTSMC-C1) .....</b>	<b>67</b>
Introduction .....	67
Product Build Options and Ordering Information .....	67
AT Commands Reference Guides .....	67
Technical Specifications .....	68
Mechanical Drawings – Basic Build .....	70
DC Electrical Characteristics .....	71
Power Measurements* .....	71
Application Notes .....	72
Flashing LED Interface .....	72
RF Interface .....	72
RF Connection and Antenna .....	72
Provisioning a Generic SocketModem CDMA .....	73
CDMA Terminology and Acronyms .....	74
<b>Chapter 4 – SocketModem® EDGE (MTSMC-E1) .....</b>	<b>76</b>
Introduction .....	76
Product Build Options and Ordering Information .....	76
AT Commands Reference Guide .....	76
Technical Specifications .....	77
Mechanical Drawings – Basic Build .....	78
Mechanical Drawings – Voice Build .....	80
DC Electrical Characteristics .....	82
Power Measurements .....	82
Application Notes .....	83
RF Performances .....	83
RF Connection and Antenna .....	83
Audio Interface – Electrical Characteristics .....	83
Microphone Inputs .....	83
<b>Chapter 5 – SocketModem® HSDPA (MTSMC-H) .....</b>	<b>84</b>
Introduction .....	84
Product Build Options and Ordering Information .....	84
AT Commands Reference Guide .....	84
Technical Specifications .....	85
Mechanical Drawings – Basic Build .....	87
Mechanical Drawings – USB Build .....	89
DC Electrical Characteristics .....	90
Power Measurements* .....	90
Application Notes .....	91

RF Performances .....	91
RF Connection and Antenna .....	91
Air Interface .....	91
Configuring the HSDPA Modem on Linux SLAX 6 .....	93
Baud Rate Switches on the HSDPA SocketModem .....	94
Operating Modes .....	95
Turn off the SocketModem Using AT Command .....	96
Automatic Shutdown .....	96
Temperature Control during an Emergency Call .....	96
Power Saving .....	96
Interface Signal Descriptions .....	98
<b>PART 3 – ANALOG SOCKETMODEMS .....</b>	<b>99</b>
<b>Chapter 6 – SocketModem® (MT9234SMI) .....</b>	<b>100</b>
Introduction .....	100
Product Build Options and Ordering Information .....	100
AT Commands Reference Guide .....	100
Technical Specifications .....	101
SocketModem Pin Out .....	103
Serial Pin Out .....	103
Parallel Pin Out .....	104
DC Electrical Characteristics .....	105
Parallel Timing Requirements .....	106
SocketModem Parallel Interface Internal Registers .....	107
Application Notes .....	114
Tip and Ring Interface .....	114
<b>Chapter 7 – SocketModem® (MT5692SMI) .....</b>	<b>115</b>
Introduction .....	115
Product Build Options and Ordering Information .....	115
AT Commands Reference Guide .....	116
Technical Specifications .....	117
Pin Outs .....	119
Operating Conditions .....	121
Absolute Maximum Rating .....	121
DC Electrical Characteristics .....	121
Power* Measurements .....	122
Parallel Host Bus Timing Table .....	123
SocketModem Parallel Interface .....	124
Register Functional Definitions .....	125
Application Notes .....	134
Tip and Ring Interface .....	134
Microphone and Speaker .....	135
<b>Chapter 8 – SocketModem® (MT2492SMI) .....</b>	<b>137</b>
Introduction .....	137
Product Build Options and Ordering Information .....	137
AT Commands Reference Guide .....	137
Technical Specifications .....	138
SocketModem Pin Out .....	139
DC Electrical Characteristics .....	139
Application Notes .....	140
Tip and Ring Interface .....	140
<b>Chapter 9 – SocketModem (MT2456SMI-22) .....</b>	<b>141</b>
Introduction .....	141

Product Ordering Information.....	141
AT Commands Reference Guide .....	141
Technical Specifications .....	142
SocketModem Configuration .....	143
Serial Configuration .....	143
Electrical Characteristics .....	144
3.3V Serial SocketModem .....	144
5V Serial SocketModem .....	144
Applications Notes .....	145
Tip and Ring Interface.....	145
<b>PART 4 – EMBEDDED DEVICE SERVERS .....</b>	<b>146</b>
<b>Chapter 10 – SocketEthernet IP® (MT100SEM-IP).....</b>	<b>147</b>
Introduction .....	147
Product Build Options and Ordering Information .....	147
AT Commands Reference Guide .....	147
Technical Specifications .....	148
SocketEthernet IP Pin Out.....	149
DC Electrical Characteristics .....	150
Power* Measurements.....	150
Application Notes .....	151
Ethernet Interface – Non-Isolated Design .....	151
Ethernet Interface – Isolated Design.....	151
Recommended Parts .....	151
The Windows-Based Auto-Discovery Manager .....	153
<b>Chapter 11 – SocketWireless® Wi-Fi® (MT810SWM-IP) .....</b>	<b>155</b>
Introduction .....	155
Product Build Options and Ordering Information .....	155
AT Commands Reference Guide .....	155
Technical Specifications .....	156
Mechanical Drawings .....	158
Mechanical Drawings .....	159
Operating Conditions .....	161
Absolute Maximum Rating.....	161
DC Electrical Characteristics .....	161
Power Measurements* .....	161
Application Notes .....	162
RF Interface.....	162
Default Power Up Settings.....	162
Antenna Requirements and Sources .....	162
Regulatory Requirements for the Wi-Fi Antenna .....	163
<b>Chapter 12 – SocketWireless® Bluetooth® (MTS2BTSMI).....</b>	<b>164</b>
Introduction .....	164
Notes about Byte Gaps and Data Latency .....	164
Product Build Options and Ordering Information .....	164
AT Commands Reference Guide .....	164
Technical Specifications .....	165
SocketWireless Bluetooth Pin Out.....	166
DC Electrical Characteristics .....	166
Application Notes .....	167
RF Interface.....	167
Sources for Peripheral Devices .....	167
Default Power Up Settings.....	168
Example of a Master Discovery/Connection Sequence .....	169

---

Example of a Slave Command Sequence .....	169
Disabling Flow Control Using AT Commands .....	170
Other Examples .....	170
Changing Configuration .....	170
<b>Index .....</b>	<b>172</b>



# *Part 1*

# *Universal Socket Connectivity*

## **Chapter 1 – Universal Socket Connectivity**

# Chapter 1 – Universal Socket Connectivity

## Multi-Tech Embedded Solutions

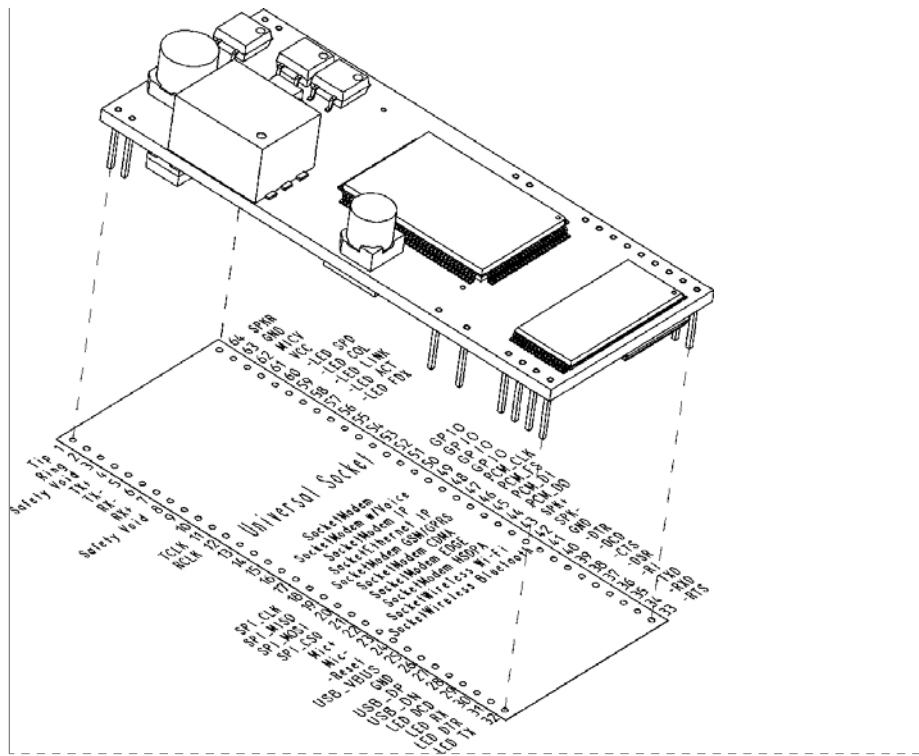
Multi-Tech’s embedded device networking solutions instantly add communication ability to your existing or new product with minimal engineering effort giving you an edge on your competition while accelerating your time-to-market. Our universal socket family of embedded solutions is designed around a flexible comm-port architecture to provide analog dial-up, cellular, Wi-Fi or Bluetooth® wireless, or Ethernet socket connectivity with interchangeable socket devices. This means you can utilize one system design and populate it with your preferred connectivity option giving you flexibility and a seamless migration path to future technologies.

### Universal Socket Connectivity Features

- Flexible comm-port architecture
- Interchangeable socket devices
- Cost-effective system design
- Easy migration to future technologies
- Complete global compliance

### The Universal Socket Design

Each pin on a SocketModem corresponds to a particular function. The universal socket design provides a universal location for each function pin. This allows each SocketModem to be used in a common board.



Comment [DAR2]: Saved as Universal SocketModem with pins.png 81KB saved in New graphics for K

Comment [DAR3]: Pin Out\_assignment\_overview\_fromDean\_p5.png

## ***Universal Developer Kit Contents***

Products described in this guide can be used to develop and evaluate your products and applications using the MTSMI-UDK (Universal Developer Kit).

- **Developer Board:** One MTSMI-UDK Developer Board
- **Power Supply:** One 100-240V 9V-1A power supply with removable blades:
  - ◆ One US blade/plug
  - ◆ One EURO blade/plug
  - ◆ One UK blade/plug
- **Cables**
  - ◆ One RJ-45 Ethernet cable
  - ◆ One RJ-11 phone cable
  - ◆ One DB9F-DB25M serial cable
  - ◆ One 1.5 meter USB cable
- **Antenna Cables**
  - ◆ One SMA-to-MMCX antenna cable (for cellular antennas)
  - ◆ Two SMA-to-UFL antenna cables (one for select cellular antennas and one for the GPS antenna)
  - ◆ One RSMA-to-UFL antenna cable (for Bluetooth and Wi-Fi antennas)
- **Antennas**
  - ◆ One quad band antenna 850/1900/900/1800 (for cellular modems)
  - ◆ One 2.4GHz, ½ WAVE antenna with reverse polarity (for Bluetooth and Wi-Fi devices)
  - ◆ One GPS antenna (for the SocketModem iCell)
- **Modem Activation Customer Notices (included on the Universal Socket Connectivity Developer CD)**
  - ◆ Aeris
  - ◆ CDMA
  - ◆ Cellcom
  - ◆ GSM
  - ◆ IVC
  - ◆ Sprint
  - ◆ Verizon
- **One Universal Socket Connectivity Developer CD**
- **One Promotional Screwdriver**

## ***AT Commands for All Embedded Products Are Included on the Developer Kit CD***

### ***AT Commands***

Multi-Tech provides Reference Guides for each SocketModem's AT commands. These reference guides are available on the CD included in the Developer Kit. They are also available by email at <mailto:oemsales@multitech.com> or by using the *Developer Guide Request Form* on Multi-Tech's Web site.

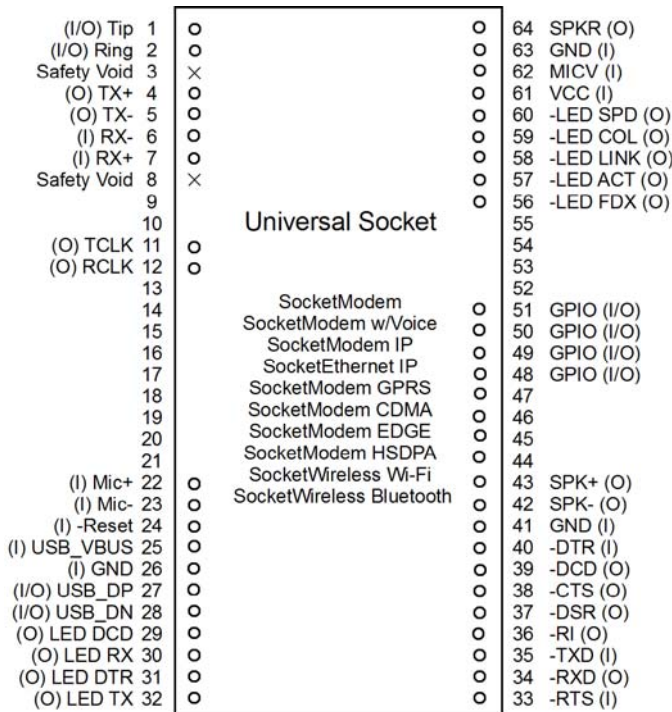
### ***Fax Commands for Analog Modems***

Fax Commands are included in the AT Command Reference Guide when applicable to the product. They are available on the CD included in the Developer Kit.

**Note:** Fax Commands supported by product:

- SocketModem MT9234SMI supports all Class 1 and Class 2 commands (Class 1, 1.0, 2, 2.0/2.1)
- SocketModem MT5692SMI supports Class 1 & 1.0

## Universal Socket Pin Out



Top View – Universal SocketModem Pin Out

**Comment [DAR4]:** Pin Out\_Universal\_July\_2008\_p14..png & FH9 7/14/08

**Comment [DAR5]:** SocketModem Universal Pinout flat view. png -- saved in Graphics new in Rev K -- 50 KB

## Universal Pin Descriptions

Pin	Signal Name	In/Out	Description
1	Tip	I/O	<b>Tip Signal from Telco.</b> Tip connection to the phone line (RJ-11 Pin 4). The SocketModem is Tip/Ring polarity insensitive.
2	Ring	I/O	<b>Ring Signal from Telco.</b> Ring connection to the phone line (RJ-11 Pin 3). The SocketModem is Tip/Ring polarity insensitive.
3	Safety Void	NA	<b>Safety Clearance.</b> 2.5 mm is required between TNV circuits and SELV circuits.
4	TX+	O	<b>Transmit Outputs (TX+ and TX-).</b> Differential transmit outputs for Ethernet and ISDN.
5	TX-	O	<b>Transmit Outputs (TX+ and TX-).</b> Differential transmit outputs for Ethernet and ISDN.
6	RX-	I	<b>Receive Inputs.</b> Differential receive input pins for Ethernet. Dummy pin for MT810SWM-IP.
7	RX+	I	<b>Receive Inputs.</b> Differential receive input pins for Ethernet.
8	Safety Void	NA	<b>Safety Clearance.</b> 2.5 mm is required between TNV circuits and SELV circuits.
9	Dummy		<b>Dummy pin for EDGE.</b>
11	TCLK	O	<b>Transmit Data Sync Clock.</b> TX synchronous data clock for ISDN sync data mode.
12	RCLK	O	<b>Receive Data Sync Clock.</b> RX synchronous data clock for ISDN sync data mode.
22	MIC+	I	<b>Microphone positive input.</b> See microphone sections in GPRS, CDMA, EDGE chapters.
23	MIC-	I	<b>Microphone negative input.</b> See microphone sections in GPRS, CDMA, EDGE chapters.

Pin	Signal Name	In/Out	Description																																												
24	-RESET*	I	<p><b>Device Reset</b> (with pull-up). The active low -RESET input resets the device logic and returns the configuration of the device to the original factory default values or "stored values" in the NVRAM. -RESET is tied to VCC through a time-constant circuit for "Power-on-Reset" functionality. The SocketModem is ready to accept commands after a fixed amount of time ("X" Time) after power-on or reset.</p> <table border="1"> <thead> <tr> <th>Model</th> <th>Time Constant</th> <th>"X" Time</th> <th>Minimum Reset Pulse*</th> </tr> </thead> <tbody> <tr> <td>MTSMC-G2</td> <td>250 ms</td> <td>6 seconds</td> <td>100us</td> </tr> <tr> <td>MTSMC-C1</td> <td>250 ms</td> <td>3-15 seconds</td> <td>500us</td> </tr> <tr> <td>MTSMC-E1</td> <td>250 ms</td> <td>3-15 seconds</td> <td>500us</td> </tr> <tr> <td>MTSMC-H</td> <td>250 ms</td> <td>10 seconds</td> <td>100us</td> </tr> <tr> <td>MT9234SMI</td> <td>400 ms</td> <td>6 seconds</td> <td>100us</td> </tr> <tr> <td>MT5692SMI</td> <td>250 ms</td> <td>6 seconds</td> <td>100us</td> </tr> <tr> <td>MT2492SMI</td> <td>250 ms</td> <td>6 seconds</td> <td>100us</td> </tr> <tr> <td>MT100SEM-IP</td> <td>250 ms</td> <td>6 seconds</td> <td>100us</td> </tr> <tr> <td>MT810SWM-IP</td> <td>250 ms</td> <td>6 seconds</td> <td>100us</td> </tr> <tr> <td>MTS2BTSMI</td> <td>250 ms</td> <td>6 seconds</td> <td>100us</td> </tr> </tbody> </table> <p>*The SocketModem device may respond to a shorter reset pulse.</p> <p><b>Reset Line Interface for the MT5692SMI.</b> The modem's reset line employs a 10K pull up resistor. If an open collector driver is to be used, run that output to the modem only and use a separate driver for other embedded components. The modem's reset signal may also be driven by a circuit that both sinks and sources current if desired. It is also important to note that these modems do not require an external reset. They have their own internal reset circuitry and voltage monitor and will function correctly even if the reset input is open.</p> <p><b>Reset GPRS and CDMA (MTSMC-G2 and MTSMC-C1).</b> This signal is used to force a reset procedure by providing low level during reset of at least 500us. The signal is considered an emergency reset only. A reset procedure is already driven by internal hardware during the power-up sequence. If no external reset is necessary, this input can be left open. If used (emergency reset), it has to be driven by an open collector or an open drain.</p> <p><b>Reset EDGE with pull-up (MTSMC-E1).</b> The active low -RESET input resets the device logic and returns the configuration of the device to the original factory default values of "stored values" in the NVRAM. The SocketModem is ready to accept commands after a fixed amount of time after power-on or reset.</p>	Model	Time Constant	"X" Time	Minimum Reset Pulse*	MTSMC-G2	250 ms	6 seconds	100us	MTSMC-C1	250 ms	3-15 seconds	500us	MTSMC-E1	250 ms	3-15 seconds	500us	MTSMC-H	250 ms	10 seconds	100us	MT9234SMI	400 ms	6 seconds	100us	MT5692SMI	250 ms	6 seconds	100us	MT2492SMI	250 ms	6 seconds	100us	MT100SEM-IP	250 ms	6 seconds	100us	MT810SWM-IP	250 ms	6 seconds	100us	MTS2BTSMI	250 ms	6 seconds	100us
			Model	Time Constant	"X" Time	Minimum Reset Pulse*																																									
			MTSMC-G2	250 ms	6 seconds	100us																																									
			MTSMC-C1	250 ms	3-15 seconds	500us																																									
			MTSMC-E1	250 ms	3-15 seconds	500us																																									
			MTSMC-H	250 ms	10 seconds	100us																																									
			MT9234SMI	400 ms	6 seconds	100us																																									
			MT5692SMI	250 ms	6 seconds	100us																																									
			MT2492SMI	250 ms	6 seconds	100us																																									
			MT100SEM-IP	250 ms	6 seconds	100us																																									
MT810SWM-IP	250 ms	6 seconds	100us																																												
MTS2BTSMI	250 ms	6 seconds	100us																																												
25	USB_VBUS	I	<b>USB Voltage Sense.</b> Senses the voltage level of the USB to determine if the bus is available.																																												
26	GND	GND	<b>Logic Ground.</b>																																												
27	USB_DP	I/O	<b>USB Data Positive.</b> Positive pin of the USB data pair.																																												
28	USB_DN	I/O	<b>USB Data Negative.</b> Negative pin of the USB data pair.																																												
29	LED DCD	O	<b>DCD (Active High).</b> Output from 74LCX14 with a 1000 Ohms resistor in series. <b>SocketWireless Bluetooth (MTS2BTSMI):</b> When lit, indicates a connection. No series resistor.																																												
30	LED RX	O	<b>RX (Active High).</b> Output from 74LCX14 with a 1000 Ohms resistor in series. <b>SocketWireless Bluetooth (MTS2BTSMI):</b> No series resistor.																																												
31	LED DTR	O	<b>DTR (Active High).</b> Output from 74LCX14 with a 1000 Ohms resistor in series. <b>SocketWireless Bluetooth (MTS2BTSMI):</b> No series resistor.																																												
32	LED TX	O	<b>TX (Active High).</b> Output from 74LCX14 with a 1000 Ohms resistor in series. <b>SocketWireless Bluetooth (MTS2BTSMI):</b> No series resistor.																																												
33	-RTS	I	<b>Request to Send (Active Low).</b> -RTS is controlled by the DTE to indicated whether or not the DTE is ready to receive data. -RTS ON (low) indicates that the DTE is ready to receive data from the modem on RXD. -RTS OFF indicates to the SocketModem that it should not transfer data on the RXD. In the command state, the modem ignores -RTS. <b>Note:</b> When the -RTS pin is not in use, it should be tied low.																																												

Comment [DAR6]: For all builds -- Dustin 8/24/09

Comment [DAR7]: New from Tim Gunn 07/14/09

Comment [DAR8]: Bud wondered if this text is for E1 too (it was used with initial EDGE). It's in the section that describes the pin functionality. 9/8/09 review:  
**Reset EDGE with pull-up (MTSMC-E1).**  
Dustin's answer  
[Original edge documentation is incorrect. You could probably remove.](#)  
-RESET is tied to VCC through a time-constant circuit for "Power-on-Reset" functionality.

\* **RESET – A Design Consideration:** Allowing the host processor to control the RESET line of the SocketModem provides the benefit of allowing the host to reset the device in the event of a failure to respond normally. Resetting the SocketModem will return it to a known functional state.

Pin	Signal Name	In/Out	Description
34	-RXD	O	<b>Received Data.</b> The SocketModem uses the RXD line to send data to the DTE and to send SocketModem responses to the DTE. In command mode, -RXD data presents the SocketModem responses to the DTE. SocketModem responses take priority over incoming data when the two signals are in competition for -RXD. When no data is transmitted, the signal is held in mark condition.
35	-TXD	I	<b>Transmitted Data.</b> The DTE uses the -TXD line to send data to the SocketModem for transmission or to transmit commands to the SocketModem. The DTE holds this circuit in mark state when no data is being transmitted or during intervals between characters.
36	-RI	O	<b>RING (Active Low).</b> Incoming ring signal from phone. <b>Ring Indicate.</b> -RI output ON (low) indicates the presence of an ON segment of a ring signal on the telephone line. The modem will not go off-hook when -RI is active; the modem waits for -RI to go inactive before going off-hook. <b>SocketWireless Bluetooth (MTS2BTSMI).</b> Strobes 1/sec for slave indication.
37	-DSR	O	<b>Data Set Ready (Active Low).</b> -DSR indicates SocketModem status to the DTE. -DSR OFF (high) indicates that the DTE is to disregard all signals appearing on the interchange circuits except Ring Indicator (-RI). It reflects the status of the local data set and does not indicate an actual link with any remote data equipment.
38	-CTS	O	<b>Clear to Send (Active Low).</b> -CTS is controlled by the SocketModem to indicate whether or not the SocketModem is ready to transmit data. -CTS ON indicates to the DTE that signals on TXD will be transmitted. -CTS OFF indicates to the DTE that it should not transfer data on TXD.
39	-DCD	O	<b>Data Carrier Detect (Active Low).</b> -DCD output is ON (low) when a data connection is established and the SocketModem is ready to send/receive data.
40	-DTR	I	<b>Data Terminal Ready (Active Low).</b> The -DTR input is turned ON (low) when the DTE is ready to communicate. -DTR ON prepares the modem to be connected, and, once connected, maintains the connection. -DTR OFF places the modem in the disconnect state under control of the &Dn and &Qn commands. <b>Note:</b> When the -DTR pin is not in use, it should be tied low.
41	GND	GND	<b>Logic Ground.</b>
42	SPK-	O	<b>Wireless GPRS, CDMA, and EDGE.</b> Negative analog speaker output.
43	SPK+	O	<b>Wireless GPRS, CDMA, and EDGE.</b> Positive analog speaker output.
48	GPIO	I/O	<b>General Purpose Input/Output.</b> User-configurable input or output pin.
49	GPIO	I/O	<b>General Purpose Input/Output.</b> User-configurable input or output pin.
50	GPIO	I/O	<b>General Purpose Input/Output.</b> User-configurable input or output pin.
51	GPIO	I/O	<b>General Purpose Input/Output.</b> User-configurable input or output pin.
56	-LED FDX	O	<b>LED Full Duplex (Active Low).</b> LED Output. During normal operation, this pin lights the FDX LED to indicate a full duplex mode.
57	-LED ACT	O	<b>LED Active (Active Low).</b> LED Output. During normal operation, this pin lights the Activity LED when transmitting or receiving. It flashes at a rate of 50ms high and 50ms low when active.
58	- LEDLINK	O	<b>LED LINK (Active Low).</b> LED Output. During normal operation, this pin lights the LINK LED to indicate a good link is detected.

Pin 58 LED Mode	Operating Status
<b>Note:</b> Pin 58 may or may not be available on some EDGE/GPRS/CDMA SocketModems currently shipping.	
<b>Off</b>	Subscriber Carrier Mode is OFF or running in SLEEP mode or Alarm mode.
<b>600 ms ON / 600ms OFF</b>	No SIM card inserted or no PIN entered, or network search in progress, or ongoing user authentication, or network login in progress.
<b>75 ms ON / 75 ms OFF / 75 ms ON 3 s OFF Flashing</b>	One or more EDGE/GPRS/CDMA contexts activated. Indicates EDGE/GPRS/CDMA data transfer: When a transfer is in progress, the LED goes on within 1 second after data packets were exchanged. Flash duration is approximately 0.5 s.
<b>ON</b>	Depending on type of call: Voice Call: Connected to remote party. Data Call: Connected to remote party or exchange of parameters while setting up or disconnecting a call.

Pin	Signal Name	In/Out	Description
59	– LEDCOL	O	<b>LED Collision (Active Low).</b> LED Output. During normal operation, this pin lights the COL LED to indicate a collision. It flashes at 50ms high and 50ms low when active.
60	– LEDSPD	O	<b>LED Speed (Active Low).</b> LED Output. During normal operation, this pin lights the SPEED LED to indicate 100Mbps is selected.
61	VCC	PWR	<b>DC Input Power.</b> 3.3V or 5VDC power, depending upon the build.
62	MICV	I	<b>Single-Ended Microphone.</b> Single-ended microphone input for dial-up SocketModem speakerphone and TAM functions.
63	AGND	GND	<b>Analog Ground.</b> Analog ground is tied common with DGND on the SocketModem. To minimize potential ground noise issues, connect audio circuit return to AGND.
64	SPKR	O	<b>Speaker.</b> Dual purpose output for call progress signals or speakerphone functions. <b>Call Progress</b> signaling on MT5692SMI and MT2492SMI is a square wave output that can be optionally connected to a low-cost single-ended speaker; e.g., a sounducer or an analog speaker circuit. Call progress on the MT9234SMI is an analog output. <b>Speakerphone Output</b> on the MT5692SMI is under the control of +FCLASS. This is a single-ended analog output. SPKR is tied directly to the CODEC. One side of a differential AC output coupled through a 6.8K ohm resistor and capacitor.

## Design Considerations

### *Noise Suppression Design Considerations*

Engineering noise-suppression practices must be adhered to when designing a printed circuit board (PCB) containing the SocketModem. Suppression of noise is essential to the proper operation and performance of the modem itself and for surrounding equipment.

Two aspects of noise in an OEM board design containing the SocketModem must be considered: on-board/off-board generated noise that can affect digital signal processing. Both on-board and off-board generated noise that is coupled on-board can affect interface signal levels and quality. Of particular concern is noise in frequency ranges affecting modem performance.

On-board generated electromagnetic interference (EMI) noise that can be radiated or conducted off-board is a separate, but equally important, concern. This type of noise can affect the operation of surrounding equipment. Most local government agencies have stringent certification requirements that must be met for use in specific environments.

Proper PC board layout (component placement, signal routing, trace thickness and geometry, etc.) component selection (composition, value, and tolerance), interface connections, and shielding are required for the board design to achieve desired modem performance and to attain EMI certification.

Other aspects of proper noise-suppression engineering practices are beyond the scope of this designer guide. The designer should consult noise suppression techniques described in technical publications and journals, electronics and electrical engineering text books, and component supplier application notes.

### *PC Board Layout Guidelines*

In a 4-layer design, provide adequate ground plane covering the entire board. In 4-layer designs, power and ground are typically on the inner layers. All power and ground traces should be 0.05 inches wide.

The recommended hole size for the SocketModem pins is 0.036 in. +/-0.003 in. in diameter. Spacers can be used to hold the SocketModem vertically in place during the wave solder process.

All creepages and clearances for the SocketModem have been designed to meet requirements of safety standards EN60950 or EN60601. The requirements are based on a working voltage of 125V or 250V. When the recommended DAA\* circuit interface is implemented in a third party design, all creepage and clearance requirements must be strictly followed in order to meet safety standards. The third party safety design must be evaluated by the appropriate national agency per the required specification.

User accessible areas: Based on where the third party design is to be marketed, sold, or used, it may be necessary to provide an insulating cover over all TNV exposed areas. Consult with the recognized safety agency to determine the requirements.

**Note:** Even if the recommended design considerations are followed, there are no guarantees that a particular system will comply with all the necessary regulatory requirements. It is imperative that specific designs be completely evaluated by a qualified/recognized agency.

\*DAA stands for Data Access Arrangement. DAA is the telephone line interface of the SocketModem.



## ***Electromagnetic Interference (EMI) Considerations***

The following guidelines are offered specifically to help minimize EMI generation. Some of these guidelines are the same as, or similar to, the general guidelines but are mentioned again to reinforce their importance. In order to minimize the contribution of the SocketModem-based design to EMI, the designer must understand the major sources of EMI and how to reduce them to acceptable levels.

1. Keep traces carrying high frequency signals as short as possible.
2. Provide a good ground plane or grid. In some cases, a multilayer board may be required with full layers for ground and power distribution.
3. Decouple power from ground with decoupling capacitors as close to the SocketModem power pins as possible.
4. Eliminate ground loops, which are unexpected current return paths to the power source and ground.
5. Decouple the telephone line cables at the telephone line jacks. Typically, use a combination of series inductors, common mode chokes, and shunt capacitors. Methods to decouple telephone lines are similar to decoupling power lines; however, telephone line decoupling may be more difficult and deserves additional attention. A commonly used design aid is to place footprints for these components and populate as necessary during performance/EMI testing and certification.
6. Decouple the power cord at the power cord interface with decoupling capacitors. Methods to decouple power lines are similar to decoupling telephone lines.
7. Locate high frequency circuits in a separate area to minimize capacitive coupling to other circuits.
8. Locate cables and connectors so as to avoid coupling from high frequency circuits.
9. Lay out the highest frequency signal traces next to the ground grid.
10. If a multilayer board design is used, make no cuts in the ground or power planes and be sure the ground plane covers all traces.
11. Minimize the number of through-hole connections on traces carrying high frequency signals.
12. Avoid right angle turns on high frequency traces. Forty-five degree corners are good; however, radius turns are better.
13. On 2-layer boards with no ground grid, provide a shadow ground trace on the opposite side of the board to traces carrying high frequency signals. This will be effective as a high frequency ground return if it is three times the width of the signal traces.
14. Distribute high frequency signals continuously on a single trace rather than several traces radiating from one point.

## ***Electrostatic Discharge Control***

All electronic devices should be handled with certain precautions to avoid damage due to the accumulation of static charge.

See the ANSI/ESD Association Standard (ANSI/ESD S20.20-1999) – a document “for the Development of an Electrostatic Discharge Control for Protection of Electrical and Electronic Parts, Assemblies and Equipment.” This document covers ESD Control Program Administrative Requirements, ESD Training, ESD Control Program Plan Technical Requirements (grounding/bonding systems, personnel grooming, protected areas, packaging, marking, equipment, and handling), and Sensitivity Testing.

Multi-Tech Systems, Inc. strives to follow all of these recommendations. Input protection circuitry has been incorporated into the Multi-Tech devices to minimize the effect of this static buildup, proper precautions should be taken to avoid exposure to electrostatic discharge during handling.

Multi-Tech uses and recommends that others use anti-static boxes that create a faraday cage (packaging designed to exclude electromagnetic fields). Multi-Tech recommends that you use our packaging when returning a product and when you ship your products to your customers.

## ***Phone Line Warning Statement for the Developer Board***

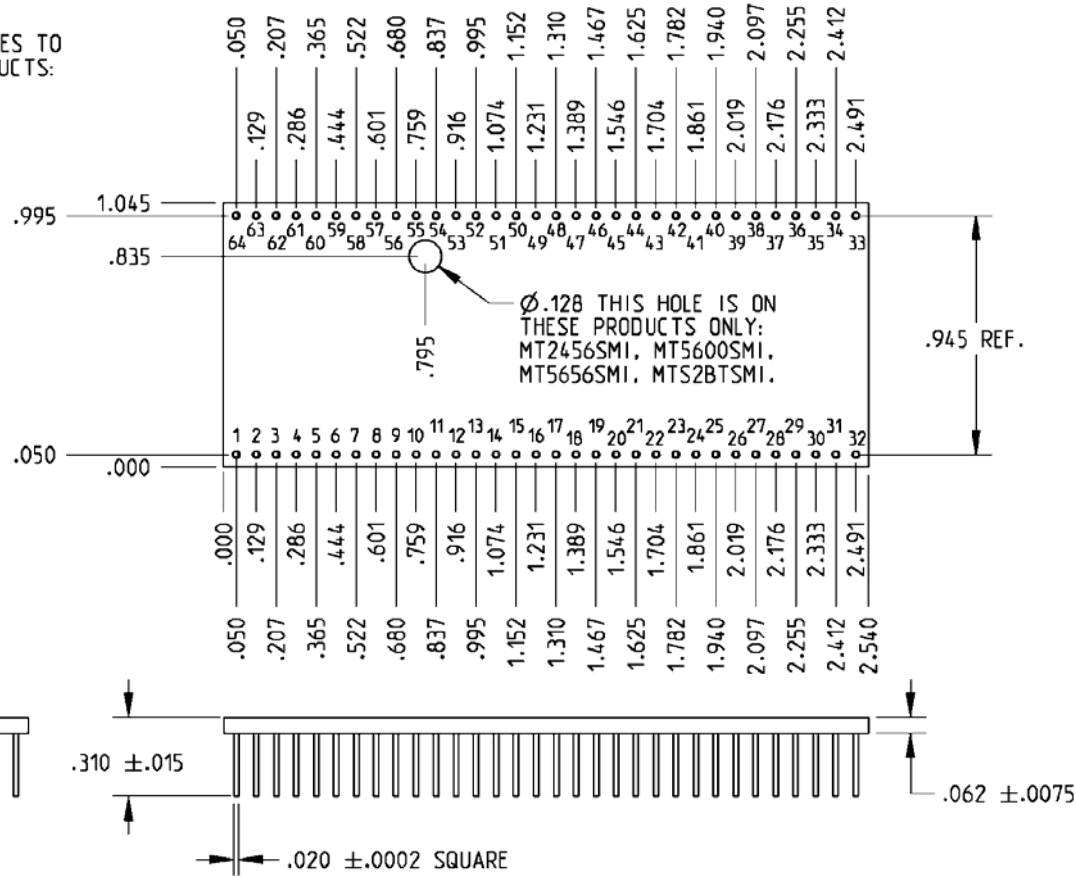
Use extreme caution when the phone line is installed due to live energized components. In fact, do not touch any components on the board while the phone line is installed.

In addition, the phone line should be detached when making modifications to or servicing the developer board.

# Mechanical Drawing in Inches for the Listed Products

Comment [DAR9]: Mechanical Drawing for Analog Modems from Dean 4-16-09.png

THIS DRAWING APPLIES TO THE FOLLOWING PRODUCTS:  
 MT2456SMI  
 MT2492SMI  
 MT5600SMI  
 MT5634SMI  
 MT5656SMI  
 MT5692SMI  
 MT9234SMI  
 MTS2BTSMI  
 MT100SEM

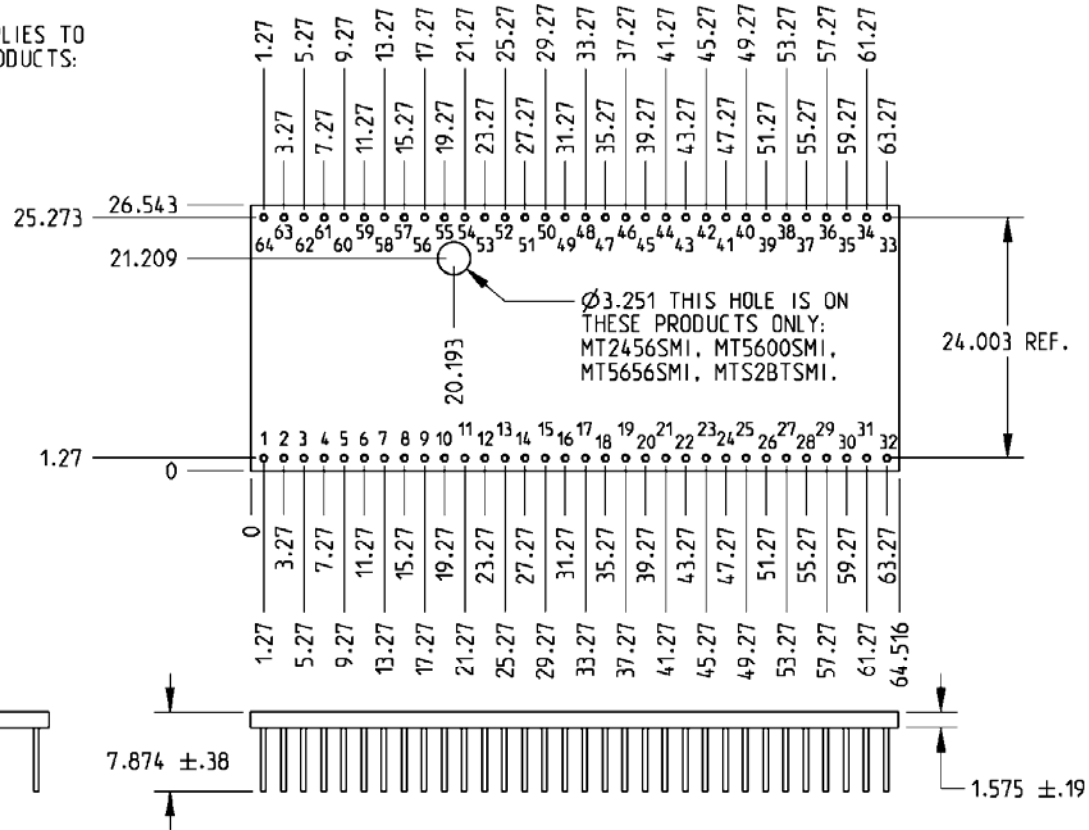


ALL DIMENSIONS IN INCHES

# Mechanical Drawing in Millimeters for Listed Products

Comment [DAR10]: Mechanical Drawing for Analog Modems-Metric from Dean 4-16-09.png

THIS DRAWING APPLIES TO THE FOLLOWING PRODUCTS:  
 MT2456SMI  
 MT2492SMI  
 MT5600SMI  
 MT5634SMI  
 MT5656SMI  
 MT5692SMI  
 MT9234SMI  
 MTS2BTSMI  
 MT100SEM



ALL DIMENSIONS IN MILLIMETERS

## Maximum Component Height / PCB Length and Width

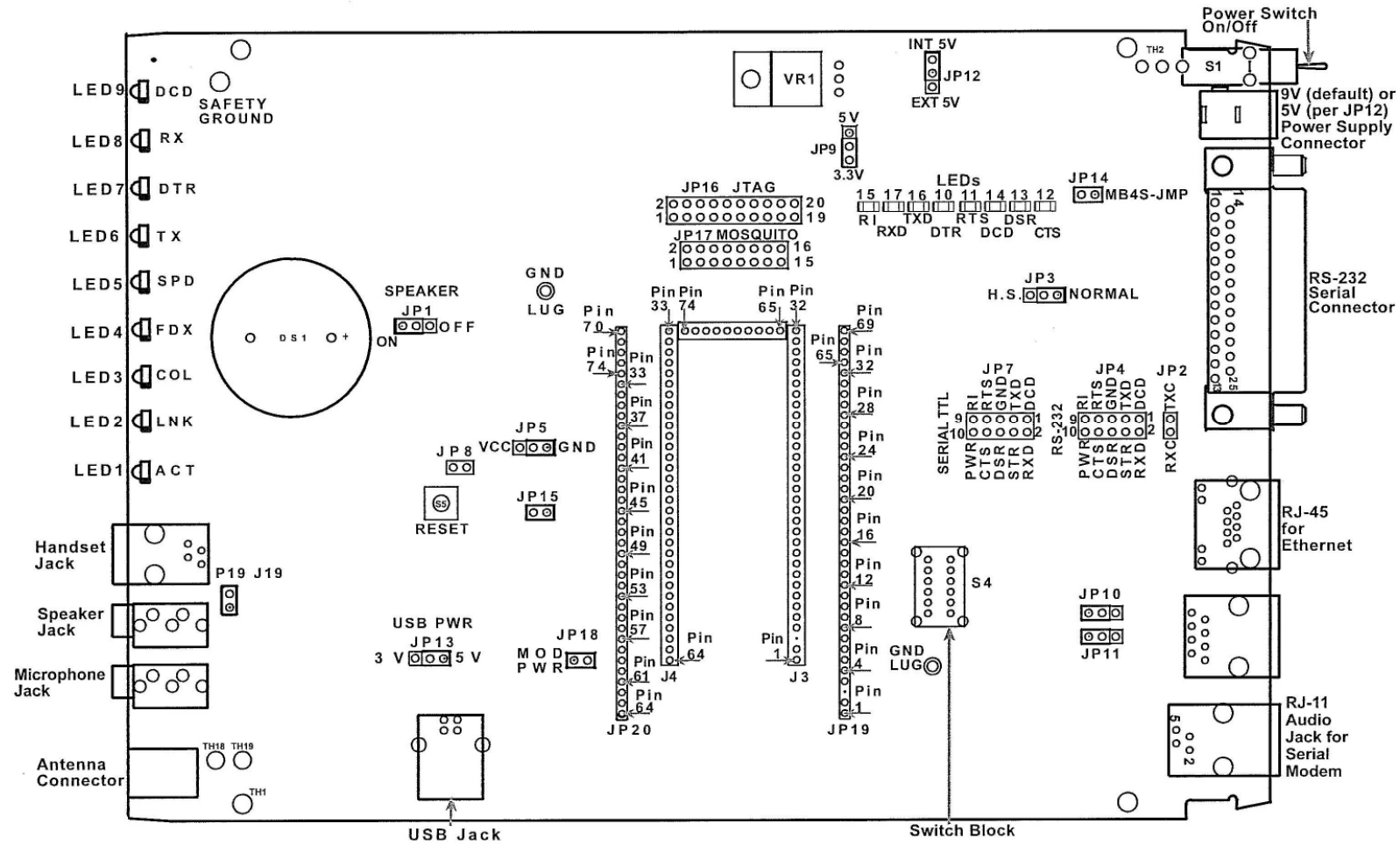
This is a companion table for the mechanical drawings on the two previous pages.

If a product does not appear in this table, it is because it has a detailed mechanical drawing that provides this information and much more in the specific product chapter.

Product	Maximum Component Height on the Top Side of the Board	Maximum Component Height on the Bottom Side of the Board	Length	Width
<b>Embedded Analog SocketModems</b>				
SocketModem – MT9234SML	.290" (7.366 mm)	.115" (2.921 mm)	2.54" (64.541 mm)	1.045" (26.543 mm)
SocketModem – MT5692SML	.213" (5.410 mm)	.115" (2.921 mm)	2.54" (64.541 mm)	1.045" (26.543 mm)
SocketModem – MT2492SML	.177" (4.495 mm)	NA	2.54" (64.541 mm)	1.045" (26.543 mm)
<b>Embedded Device Servers</b>				
SocketModem IP – MT2456SML-IP	.228" (5.791 mm)	.114" (2.895 mm)	2.54" (64.541 mm)	1.045" (26.543 mm)
SocketEthernet IP – MT100SEM-IP	.341" (8.661 mm)	.115" (2.921 mm)	2.54" (64.541 mm)	1.045" (26.543 mm)
SocketWireless Bluetooth – MTS2BTSMI	.089" (2.260 mm)	NA	2.54" (64.541 mm)	1.045" (26.543 mm)

## SocketModem Developer Board

This developer board drawing shows the major board components for all SocketModems.



Board Revision B

See the next page for description of Board Components

Comment [DAR11]: Board B for Universal 260b0\_forRev J jumper fixed 2 29grayscale50percent.gif done 8/5/09

### Board Components

Jumper	Description
JP1	Mutes the speaker. Default positions are 1 and 2 (speaker is not muted).
JP2	Ties the TX and RX clock lines together. Default positions are 1 and 2 (transmit and receive clock act independently).
JP3	Sets the data rate. NORMAL sets the data rate at 250kbps. H.S. (high speed serial communications) sets the data rate at 1Mbps.
JP4	Testing interface (debugging) for the RS-232 signals.
JP5	JP5 acts as a replacement for pin 45 when pin 45 is used for another function.
JP7	Testing interface (debugging) for the serial TTL signals.
JP9	JP9 is the 5V / 3.3V regulator. The factory default operating voltage is 3.3V. <b>Warning</b> – Be sure that the 5V / 3.3V jumper is set to match the requirements of your SocketModem. If this jumper is set incorrectly, damage to the SocketModem and/or the Test/Demo card could result. <b>Caution</b> – Use only the provided Multi-Tech Systems, Inc. transformer with the Test/Demo board. Use of any other power source will void the warranty and will likely damage the Test/Demo board and the SocketModem. The transformer connector is keyed to prevent improper connection to the Test/Demo board.
JP12	JP12 allows you to select either the internal 5V regulator (INT 5V) or to choose EXT 5V. For the EXT 5V, you can use your own external 5V power source and plug it into J7.
JP13	Set either 5V or 3.3V for USB_VBUS line (supplied by the VCC of the USB jack).
JP14	Internal testing.
JP15	JP15 disconnects pin 45 from SLP with JP5 (the RS-232 driver sleep mode).
JP16	JTAG header.
JP17	Mosquito header. If used to debug the SocketModem while using the USB port, then the JP14 would have to be removed to disconnect USB_VBUS.
JP18	Power feed for area where SocketModems are placed (J24).
JP19 & JP20	Debugging probes.
JP25 & JP26	Ground lug.
S4	Set the switch block to the product being used.
S5	Reset

### Jumpers and Corresponding Signals

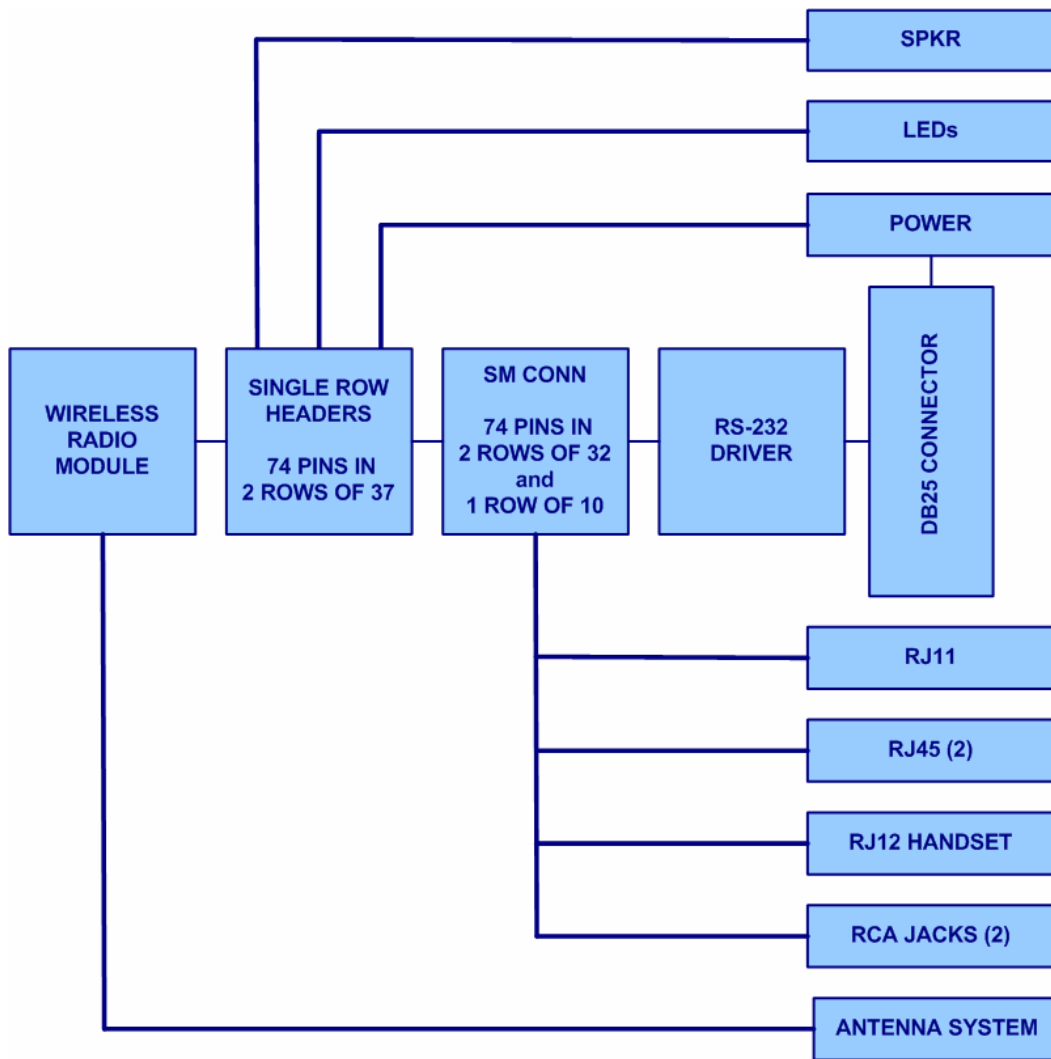
J4 and J7	
10 PWR	9 RI
8 CTS	7 RTS
6 DSR	5 GND
4 DTR	3 TXD
2 RXD	1 DCD

J2 and J13	
2 RXC	1 TXC

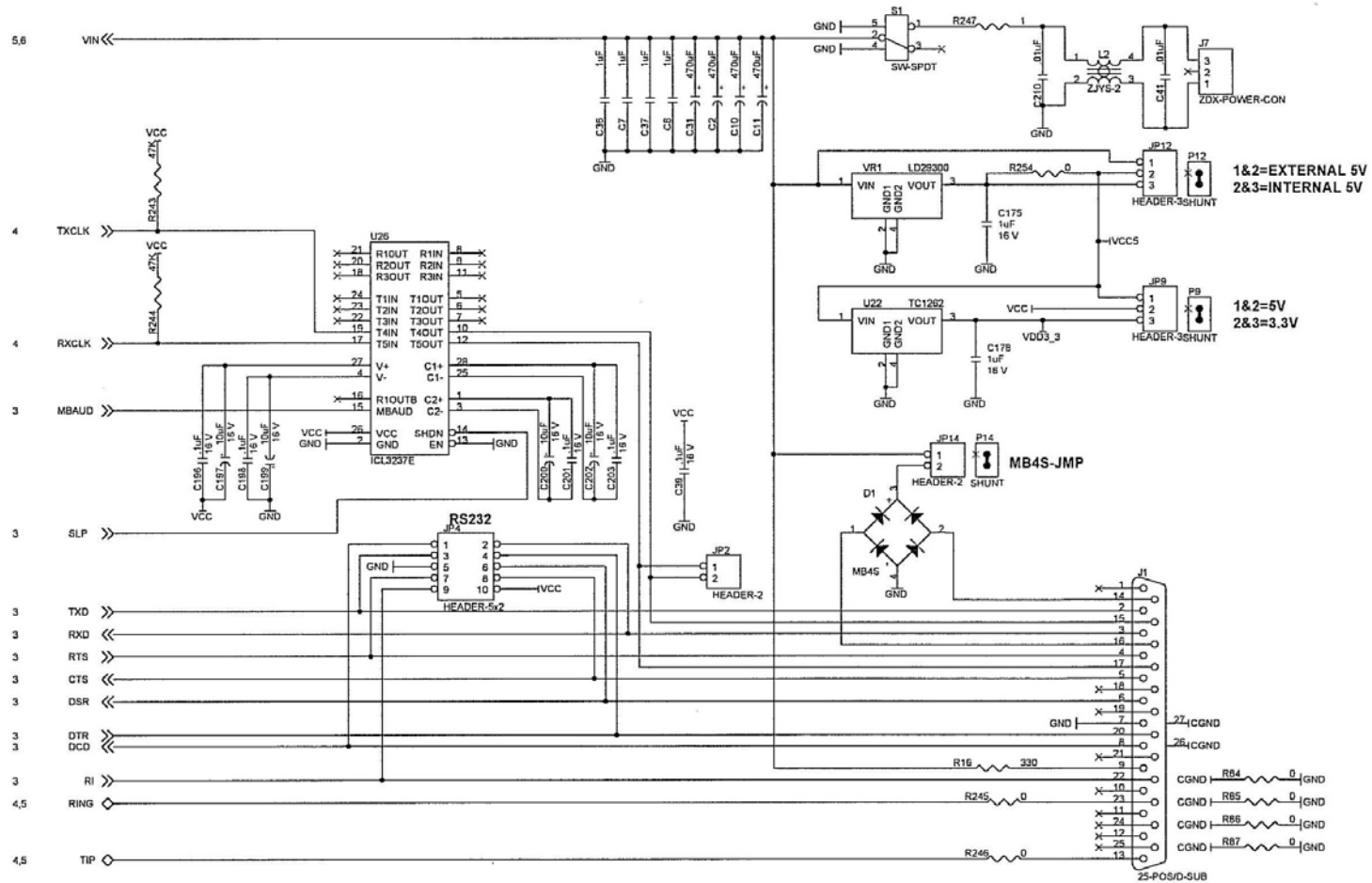
JP10	JP11
TX Term	RX Term

### SocketModem Developer Board Block Diagram

Comment [DAR12]: C:\Universal SocketModem\Graphics ETC Rev 1\Block diagram board B\Block diagram board B w antenna.png. 38 KB



## Developer Board Schematics

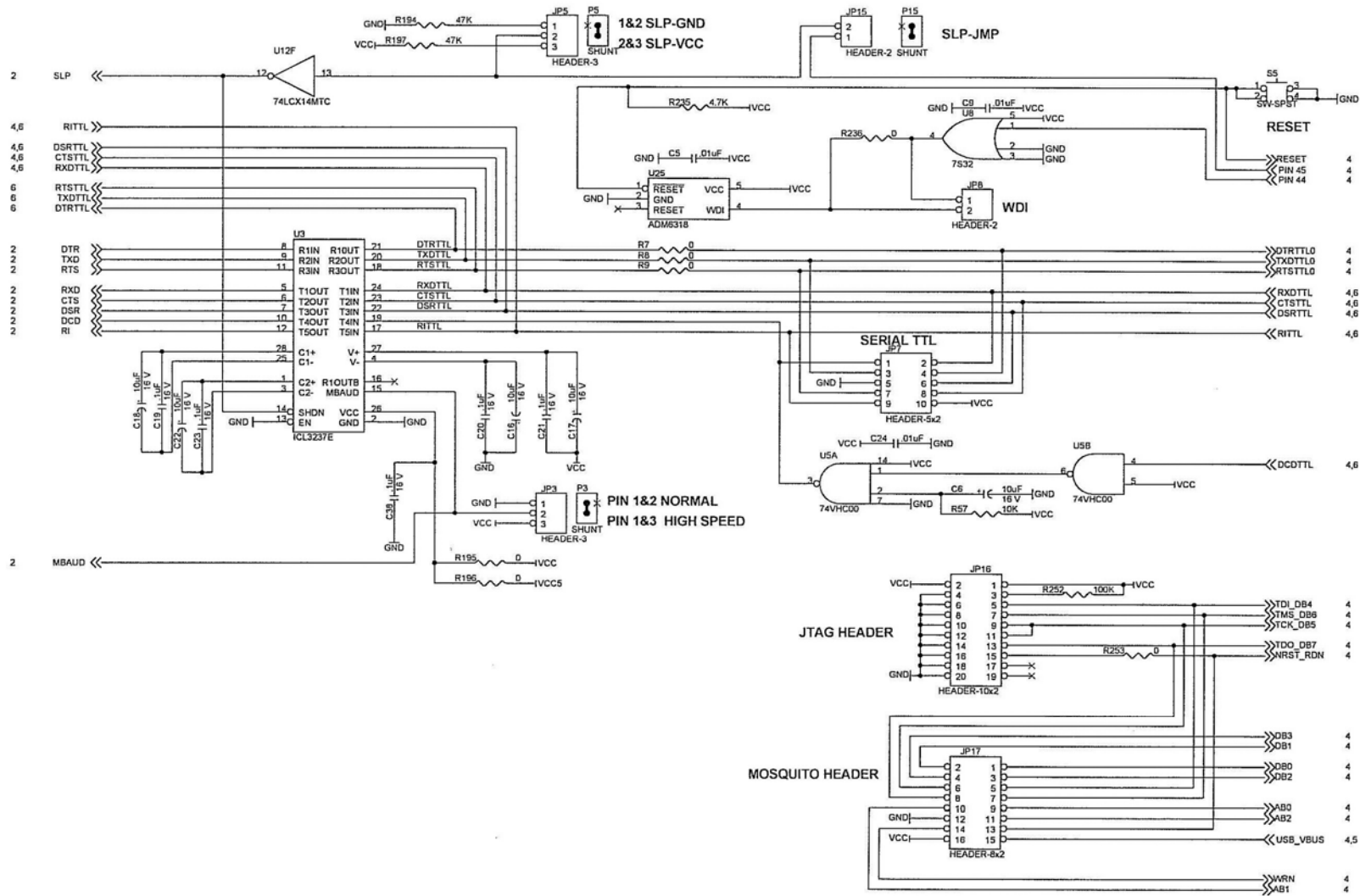


Board Revision B

Comment [DAR13]: Schematics Board B page 2 Scan0576\_000.jpg did not change to gif -- file was already small

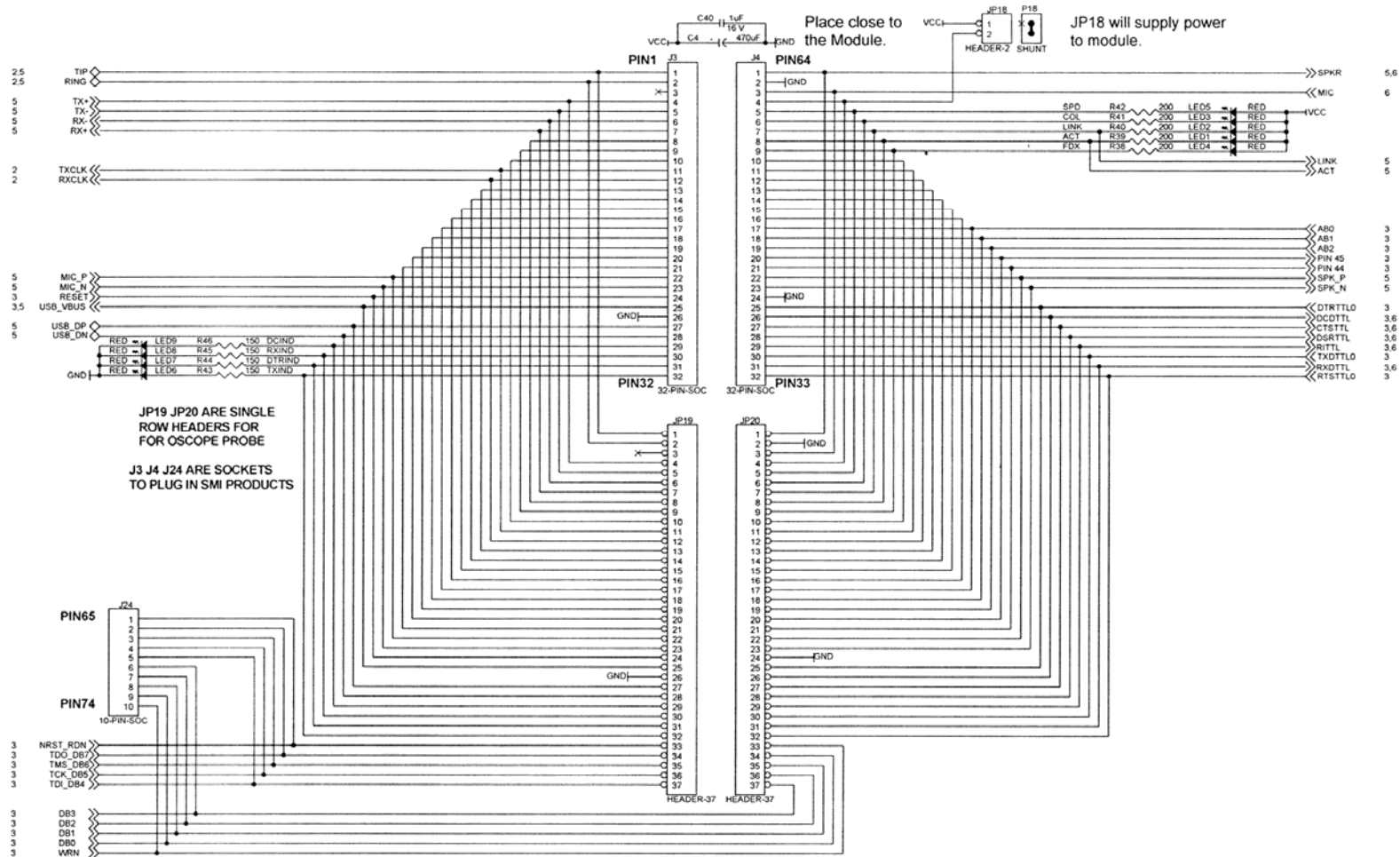


## Developer Board Schematics



Comment [DAR14]: Schematics Board B page 3 Scan0577\_000 grayscale50percent.gif (changed from jpg to make the file size smaller 8/5/09)

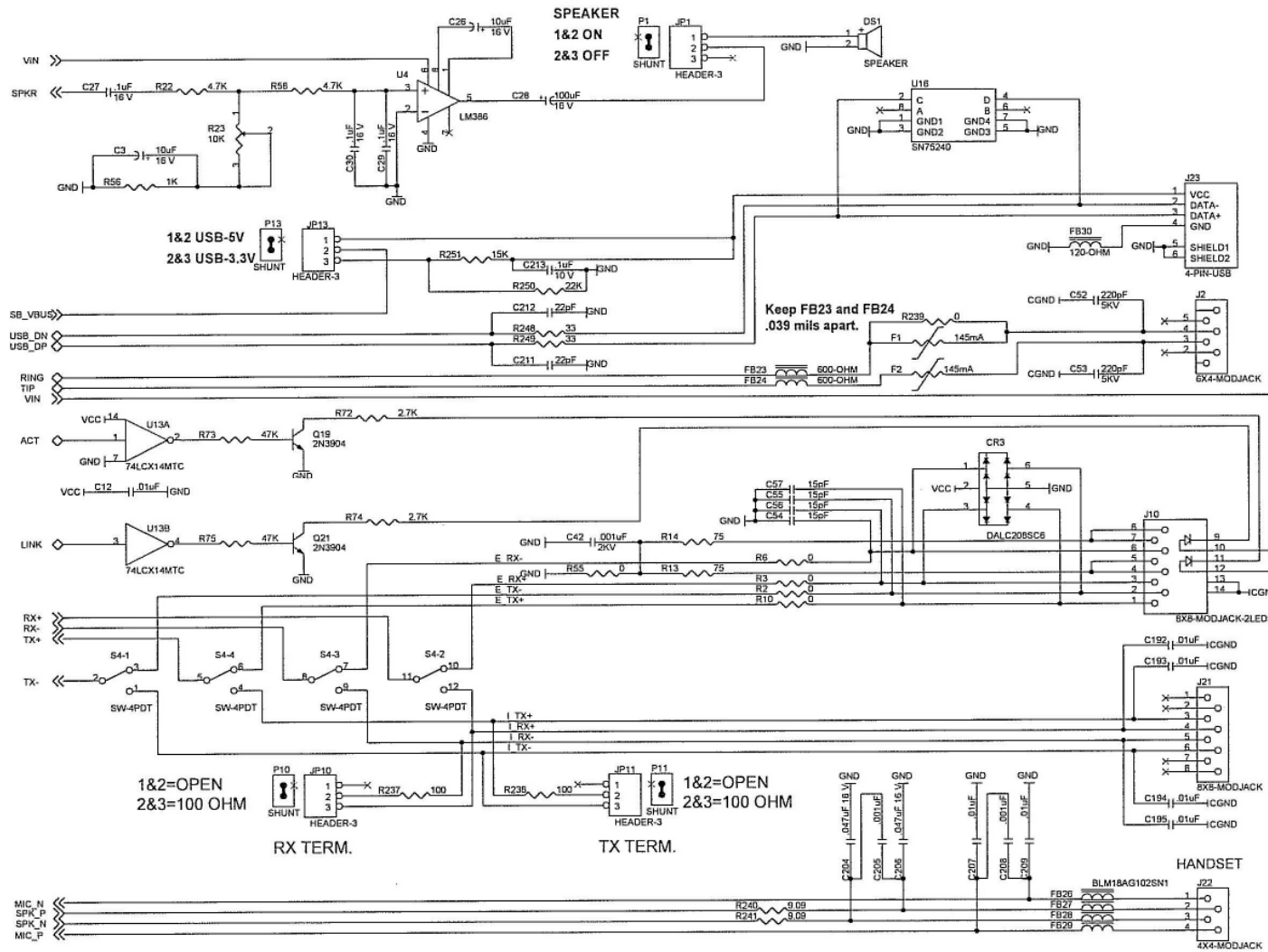
## Developer Board Schematics



JP19 JP20 ARE SINGLE ROW HEADERS FOR FOR OSCOPE PROBE  
 J3 J4 J24 ARE SOCKETS TO PLUG IN SMI PRODUCTS

Comment [DAR15]: Schematics Board B page 4 Scan0575\_000grayscale.gif (was jpg - now a gif for a smaller file 8/5/09)

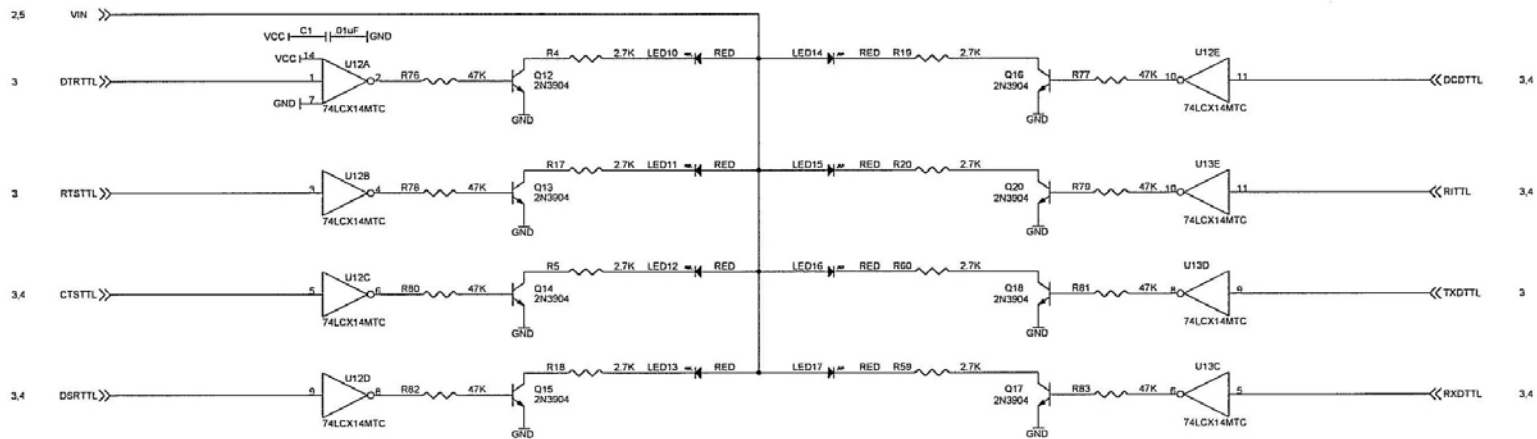
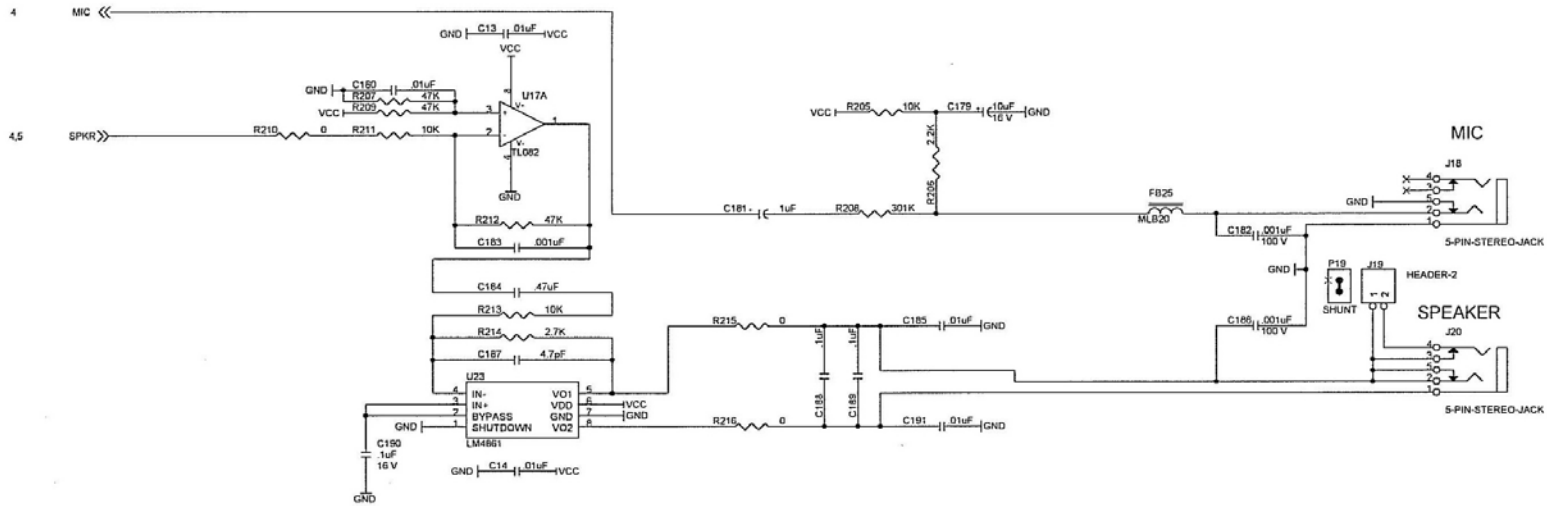
## Developer Board Schematics



Board Revision B

Comment [DAR16]: Schematics Board B page 5 Scan0574\_000grayscale50percent.gif (was jpg but file was too large. Now gif 8/5/09)

### Developer Board Schematics



**Board Revision B**

Comment [DAR17]: Schematics Board B page 6 Scan0573\_000.jpg did not change to gif -- file was already small

## Upgrading Firmware

Your modem is controlled by semi-permanent firmware, which is stored in flash memory. Multi-Tech's firmware is nonvolatile; that is, it remains stored in memory when the modem is turned off and can be upgraded as new features are added.

Multi-Tech's *Flash Wizard* can be downloaded from Multi-Tech's FTP site and is available on CD. Use this Flash Wizard for upgrading your firmware. Documentation for using the Flash Wizard is included with the wizard.

The following table shows you which products support the Flash Wizard.

<b>Wireless SocketModems</b>	
SocketModem GPRS MTSMC-G2	Do not use the Flash Wizard for the wireless modems. Contact Multi-Tech for wireless modem firmware upgrade directions.
SocketModem CDMA MTSMC-C1	Do not use the Flash Wizard for the wireless modems. Contact Multi-Tech for wireless modem firmware upgrade directions.
SocketModem EDGE MTSMC-E1	Do not use the Flash Wizard for the wireless modems. Contact Multi-Tech for wireless modem firmware upgrade directions.
SocketWireless HSDPA	Do not use the Flash Wizard for the wireless modems. Contact Multi-Tech for wireless modem firmware upgrade directions.
<b>Analog SocketModems</b>	
SocketModem MT9234SMI	Flash Wizard Software for Windows®, Mac OSX, Linux Multi-Tech Flash Protocol
SocketModem MT5692SMI and SocketModem MT5692SMI-IP	Flash Wizard Software for Windows®, Mac OSX, Linux Can use ASCII upload via terminal emulator.
SocketModem MT2492SMI	No Flash Upgrade.
<b>Embedded Device Servers</b>	
SocketEthernet IP MT100SEM-IP	Flash Wizard Software for Windows®, Mac OSX, Linux Can use ASCII upload via terminal emulator.
SocketWireless Wi-Fi MT810SWM-IP	XMODEM serial port upgrade. See the next page for information about using the XMODEM upgrade.
SocketWireless Bluetooth MTS2BTSMI	Do not use the Flash Wizard for the wireless modems. Contact Multi-Tech for wireless modem firmware upgrade directions.

**Flash Wizard Software for Windows®:** <ftp://ftp.multitech.com/Utilities/FlashWizard/>

**Flash Wizard Software for Linux:** <http://mtflashwiz.sourceforge.net/>

## XMODEM Serial Port Upgrade

This upgrade procedure applies only to the MT810SWM-IP and the older product MTXCSEM.

**Comment [DAR18]:** Removed all direct references to the SocketEthernet IP. Kevin said this applies to these 2 products 8/09

The IP communications device, for example, contains a 2 MB flash wherein the boot image, the firmware and configuration files are stored in a compressed format. The flash can easily be upgraded both locally as well as remotely.

### Serial Port Upgrade

The flash of the can be upgraded locally through serial port using the upload feature of serial applications.

### Serial Port Configuration

The default serial port parameters should be:

Data length – 8 bits

Parity – None

Stop bits – 1

Baud-rate of the serial port to which the communications device is connected should be set to 115200 bps for proper operation.

### Example of a Serial Flash Upgrade

Following steps explain the procedure to upgrade a flash using the serial COM port (serial flash upgrade).

Connect the communications device to a PC COM Port.

- Open an application through which we can access the serial device (e.g., Meterm, zoc, hyperterm).
- Reboot the communications device.
- Wait for the boot message and prompt “press d to download” to appear.
- Press **d** when prompted.
- Select the **XMODEM** Protocol from the Terminal application.
- Choose a file to be uploaded.
- Perform a file upload.

The communications device reboots and will be up after a few seconds (10-15 seconds).

**Comment [DAR19]:** Removed "TFTP Ethernet Upgrade" section. Darrick said it applied only to the MTXCSEM which this manual no longer covers.

**Caution:** Refrain from powering off the device during flash upgrade.

## Multi-Tech Systems, Inc. Flash Programming Protocol

This information is provided exclusively for the users of Multi-Tech Systems, Inc. SocketModems, specifically the **MT9234SMI**. Multi-Tech Systems, Inc. SocketModem owners have the right to use, modify, and incorporate this code into other products provided they include the Multi-Tech Systems, Inc. notice and the associated copyright notice with any such product.

Copyright (C) Multi-Tech Systems, Inc. 1995  
All Right Reserved

The flash programming protocol is provided "AS IS" without warranty.

**Important:** When interacting with the boot code, it is possible to make the modem inoperable. Use extreme caution.

### Programming the Modem

There are two ways to start flash programming a modem. It can be programmed

1. From "AT" mode
2. When the modem powers up.

The following table shows how a modem is programmed.

DTE	Modem	Comments
AT*FS\r		This effectively "restarts" the modem so that it enters the boot code.
<b>Handshake Sequence</b>		
M's		Many M's are sent (10 milliseconds apart) at 19200 baud. This is where the handshake starts if the modem is just powered up.
	U	U is sent at 19200 baud if M's are received within 100 milliseconds of power up. If the M's are not received within 100 milliseconds, then the modem starts up normally. If the AT*FS command is used, then you have 1 second (1000mS) to perform the handshake.
D		Sent at 19200 baud.
	M	M if can receive at 9600/19200/38400/57600/115200
	I J K L M	I if modem will be programmed at 9600 J if modem will be programmed at 19200 K if modem will be programmed at 38400 L if modem will be programmed at 57600 M if modem will be programmed at 115200
	\r\nOK\r\n	Modem is ready to be programmed
<b>Program Sequence:</b>		
DTE	Modem	Comments
ATFLP\r		Request to the modem to program
	G	Modem is ready for next program packet
[Length High]		High byte of data packet length
[Length Low]		Low byte of data packet length Packet lengths can be up to 4096 bytes in size for most boot code versions
[Address High]		High byte of program address
[Address Middle]		Middle byte of program address
[Address Low]		Low byte of program address Addresses are 3 byte values with a range of 00000h-FFFFFh
[Data Bytes]		These are the data bytes to be programmed at the address specified above. They must be the same number of bytes as specified above.
[Checksum]		This checksum is generated by exclusive ORing together all of the Data Bytes (do not include the Length or Address bytes in that calculation).
	\nOK\r\n \nERROR\r\n	If bytes are programmed and verified. If verify fails or checksum is bad. Retry the block 3 times on an ERROR.
....	....	More of the above sequence until all the data bytes have been sent to the modem.
ATFLEND\r		This ends programming and restarts the modem.

**Other Supported Boot Code Commands**

2.1	ATI0 -	returns 000 or 247 for ISDN
2.2	ATI1 -	returns boot code version number MM.mmn where MM = unique code for each different platform that has boot code mm = version number of boot code n = version letter of the boot code Examples: 2.05e, 2.12d, 35.15
	ATI4-	Boot code date and time.

**Other Programming Concerns**

1. The packets sent to the modem must be presorted by address and aligned on 128 byte boundaries (i.e., each packet must start on an address that is a multiple of 128).
2. The packets should also be a minimum of 128 bytes with the non-programmed bytes set to the hex value of FF.
3. The packets sent to the modem must not span a 4K boundary (i.e., start the packet before it and go over the boundary in the middle of the packet).
4. The 10-millisecond delay between M's at the beginning of the handshake is so that the modem can sync up to the start bit. If the M's are sent one right after another, a data bit might be mistaken as a start bit.
5. Multi-Tech firmware files are in Intel Hex Format and must be read in and formatted into 128-4096 byte blocks before being sent to the modem.

**Information about the Intel Hex Format**

An Intel Format Hex File is a text file consisting of “records”, one per line, that start with a “:” character and include only digits 0-9 and letters A-F. There are three different record types: Extended Address Records, Data Records, and End of File Records.

Data records contain the actual data that is to be programmed into a device. The address contained in the data record needs to be combined with an extended address (by adding the extended address shifted four bits left to the data record address) to determine the actual programming address for the data. If no extended address record is before a given data record in the file, then the extended address value is assumed to be zero.

**Data Record**

Char Pos	Field Type	Value	Description
1	Record Start	“:”	
2-3	Data Byte Count “NN”		Maximum value is FF (which is 255 data bytes). Typical is 20h which causes the hex record to fit in 80 columns.
4-7	Address	“XXXX”	Lower 16 bits of 20 bit address, most significant byte first. This must be added to Extended Address left shifted four bits.
8-9	Record Type	“00”	Data Record
10+N	Data Bytes	“YY..YY ”	The data bytes in hex. Each byte is two characters.
NN+1,2	Checksum	“ZZ”	Zero minus the two's complement addition of all data hex values.
NN+3,4	End of Line	“\r\n”	Carriage Return followed by a Line Feed

Example Data Record in Intel Format  
:2000A0005BB66DDBB66CD8B060C183060D1B366DDBB66DDBB76FDFBF7EFDFFB6EDDBB66DD4



**Extended Address Record**

Char Pos	Field Type	Value	Description
1	Record Start	“.”	
2-3	Data Byte Count	“02”	Always 2 bytes for this record type
4-7	Address	“0000”	Not used for this record type (must be zero)
8-9	Record Type	“02”	Extended Address Record
10-13	Extended Address	“EEEE”	Top 16 bits of 20 bit address, most significant byte first
14-15	Checksum	“ZZ”	Zero minus the two’s complement addition of all data hex values
16-17	End of Line	“\r\n”	Carriage Return followed by a Line Feed
Example Extended Address Record in Intel Format :020000021000EC			

**End of File Record**

Char Pos	Field Type	Value	Description
1	Record Start	“.”	
2-3	Data Byte Count	“00”	Always 2 bytes for this record type
4-7	Address	“0000”	Transfer Address (usually be zero)
8-9	Record Type	“01”	End of File Record
10-11	Checksum	“ZZ”	Zero minus the two’s complement addition of all data hex values
12-13	End of Line	“\r\n”	Carriage Return followed by a Line Feed
Example End of File in Intel Format :00000001FF			

## Wireless Information

### Antenna System for Wireless Devices

The antenna system for use with Multi-Tech modems built into your products must include a coax cable to interface between UFL or MMCX connection on the modem and the antenna itself.

#### RF Specifications

##### GSM/EGSM RF Specifications

	GSM 850	EGSM 900	GSM 1800	GSM 1900
Frequency RX	869 to 894 MHz	925 to 960 MHz	1805 to 1880 MHz	1930 to 1990 MHz
Frequency TX	824 to 849 MHz	880 to 915 MHz	1710 to 1785 MHz	1850 to 1910 MHz
RF Power Stand	2W at 12.5% duty cycle	2W at 12.5% duty cycle	1W at 12.5% duty cycle	1W at 12.5% duty cycle

##### CDMA RF Specifications

	CDMA 800	CDMA 1900
Frequency RX	869 to 894 MHz	1930 to 1990 MHz
Frequency TX	824 to 849 MHz	1850 to 1910 MHz

#### The Antenna

##### GSM Antenna Requirements/Specifications

Frequency Range	824 – 960 MHz / 1710 – 1990 MHz
Impedance	50 Ohms
VSWR	VSWR shall not exceed 2.0:1 at any point across the bands of operation
Typical Radiated Gain	0 dBi on azimuth plane
Radiation	Omni-directional
Polarization	Vertical
Wave	Half Wave Dipole
Cable Loss	The cable loss shall be such that the total radiate power (TRP) at the antenna shall be no less than +22/24.5 dBm for 850/1900 MHz respectively, and the total isotropic sensitivity (TIS) at the antenna shall be no less than -99/101.5 dBm for 850/1900 MHz respectively.

##### GPS (Global Positioning) Antenna Requirements/Specifications

Frequency	1575MHz
Impedance	50 Ohms
VSWR	2.0db
Input voltage	3.0V +/- 0.3V
Connection	SMA

#### Antennas Available from Multi-Tech

##### Quad Band Description

	Qty	Part Number
Hinged Right Angle 800/900/1800/1900 MHz Cellular Modem Antenna	1	ANQB-1HRA
Hinged Right Angle 800/900/1800/1900 MHz Cellular Modem Antenna	10	ANQB-10HRA
Hinged Right Angle 800/900/1800/1900 MHz Cellular Modem Antenna	50	ANQB-50HRA

##### Dual Band Description

	Qty	Part Number
Hinged Right Angle 900/1800 MHz Cellular Modem Antenna	1	ANF1-1HRA
Hinged Right Angle 900/1800 MHz Cellular Modem Antenna	10	ANF1-10HRA
Hinged Right Angle 900/1800 MHz Cellular Modem Antenna	50	ANF1-50HRA
Hinged Right Angle 800/1900 MHz Cellular Modem Antenna	1	ANCF2-1HRA
Hinged Right Angle 800/1900 MHz Cellular Modem Antenna	10	ANCF2-10HRA
Hinged Right Angle 800/1900 MHz Cellular Modem Antenna	50	ANCF2-50HRA

##### Bluetooth and Wi-Fi

	Qty	Part Number
Hinged 2.4 MHz Bluetooth / Wi-Fi Antenna	1	ANBT-1
Hinged 2.4 MHz Bluetooth / Wi-Fi Antenna	10	ANBT-10

## Coax Cables

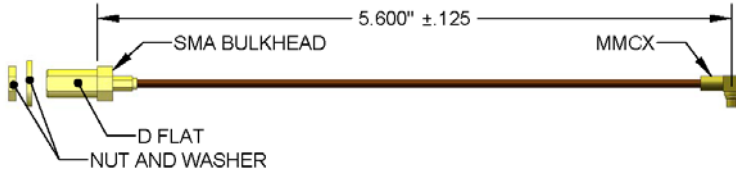
### MMCX-to-SMA and MMCX to RSMA Coax Cable

Comment [DAR20]: Adapter\_Amph enol.gif

This cable shown below is included in the Developer Kit for the CDMA, EDGE SocketModems, and the SocketWireless Bluetooth.

#### Cable Specifications

<b>Cable Type:</b>	Coax Cable
<b>Attenuation:</b>	<1.0db
<b>Connector Impedance:</b>	50 Ohms



An optional antenna cable (SMA to MMCX) can be ordered from Multi-Tech Systems, Inc. |

Comment [DAR21]: Now new from Dean. (was Wireless Antenna Cable from Ken\_20903c\_cable only.jpg Wireless Antenna Cable from Ken\_20903c\_generic.FH9f Wireless Antenna Cable from Ken\_20903c\_generic.pdf)

Part Number	Description
CASMA-MMCX-1	SMA to MMCX COAX RF 6 inch cable (Single Pack)
CASMA-MMCX-10	SMA to MMCX COAX RF 6 inch cable (Ten Pack)

#### MMCX-to-SMA Adapter

An antenna with an SMA connector may be directly connected to a SocketModem GPRS/CDMA through a mating MMCX-to-SMA adapter.

#### SMA-to-MMCX Connector Available from Amphenol

Amphenol <a href="http://www.amphenol.com/">http://www.amphenol.com/</a> Order No: 908-31100	
--	--

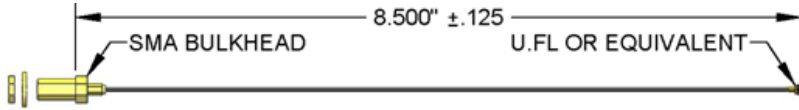
**UFL-to-SMA and UFL-to-RSMA Coax Cable**

The UFL-to-SMA cable is included in the Developer Kit for the GPS (Global Positioning), GPRS and HSDPA SocketModems.

**Cable Specifications**

<b>Cable Type:</b>	Coaxial Cable
<b>Attenuation:</b>	<1.0db
<b>Connector Impedance:</b>	50 ohm

**Comment [DAR22]:** Now new from Dean SocketModem\_SS\_Auxiliary Cable. PNG 2/4/2009



An optional antenna cables can be ordered from **Multi-Tech Systems, Inc.**

<b>Part Number</b>	<b>Description</b>
CASMA8-UFL-1	SMA to UFL COAX RF 8 inch cable (Single Pack)
CASMA8-UFL-10	SMA to UFL COAX RF 8 inch cable (Ten Pack)
CARSMA8-UFL-1	RSMA to UFL COAX RF 8 inch cable (Single Pack)
CARSMA8-UFL-10	RSMA to UFL COAX RF 8 inch cable (Ten Pack)

**PTCRB Requirements for the Antenna**

There cannot be any alteration to the authorized antenna system. The antenna system must be the same type with similar in-band and out-of-band radiation patterns and maintain the same specifications.

**FCC Requirements for the Antenna**

The antenna gain, including cable loss, must not exceed 3.0 dBi at 1900 MHz / 1.6 dBi at 850 MHz for mobile operating and fixed mounted operations, as defined in 2.1091 and 1.1307 of the rules for satisfying RF exposure compliance.

## Account Activation for Wireless Devices

### Pre-Configured Multi-Tech Products

Some Multi-Tech wireless modems have been pre-configured to operate on a specific wireless network, such as Sprint and Verizon.

However, before you can begin to use the modem, you must set up a wireless data account with your wireless network provider. Then, follow the activation procedures covered on the Activation Notices available from Multi-Tech.

## Wireless Approvals and Labeling Requirements

### Approvals and Certification

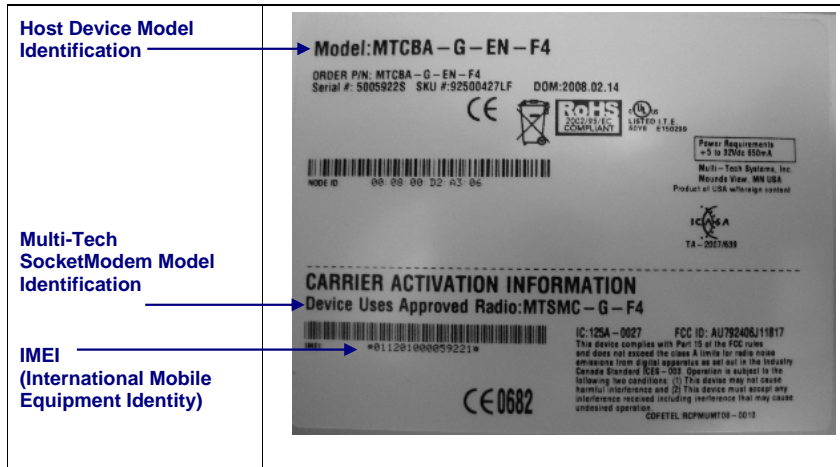
The Multi-Tech SocketModem is Industry and/or Carrier Approved as an End Product modem. In most cases, when integrated and used with an antenna system that was part of the Multi-Tech modem certification, no additional approvals or certifications are required (however, CDMA has a few exceptions) for the device you develop as long as the following are met:

- **PTCRB Requirements:**  
The antenna system **cannot** be altered.
- **Model Identification:**

**IMPORTANT**  
When the wireless carrier asks you to provide the modem's model identification, give the Multi-Tech wireless model identification, not the identification of the host device model. See the label example below.

The Multi-Tech model identification allows the carrier to verify the modem as one of its approved models. This information is located on the modem's label.

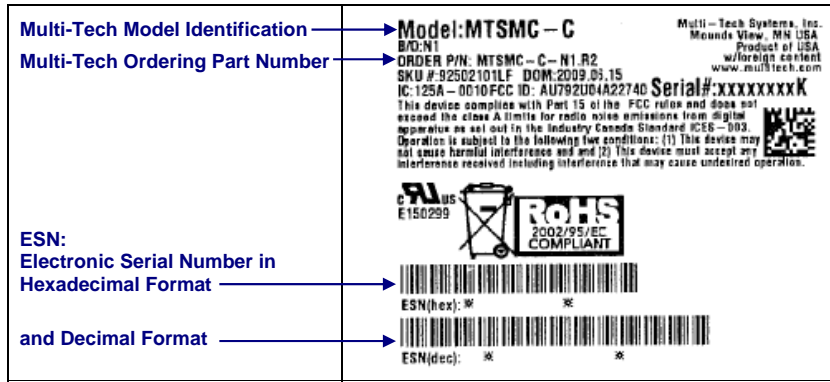
The Following Is an Example of an End Product GPRS Label:



Comment [DAR23]: Now Label F4.png saved in Graphics new in Rev K 62kb

Comment [DAR24]: Label Small-C.png 23KB 6/16/09

The Following Is an Example of an End Product CDMA Label:



• Other Information the Wireless Carrier Asks You to Provide:

**For CDMA** SocketModems: The modem's 8-character ESN (Electronic Serial Number) number printed next to the barcode on the modem. The ESN may vary in format by various CDMA carriers; some use a decimal number while others use a hexadecimal number.

**For GSM** SocketModems: The modem's 15-character IMEI (International Mobile Equipment Identity) number printed on the modem's label.

## Analog Information

### Recommended Parts for Analog SocketModems

**Disclaimer:** Multi-Tech Systems makes no warranty claims for vendor product recommendations listed below. Other vendor products may or may not operate satisfactorily. Multi-Tech System’s recommended vendor products only indicate that the product has been tested in controlled conditions and were found to perform satisfactorily.

Surface mount ferrites are used on T&R (Tip and Ring) to mitigate emission levels out the RJ-11 cable. 220pF capacitors are also used on T&R to reduce the common mode emissions that may be present in certain systems. See the Tip and Ring drawings in each analog SocketModem chapter.

The ferrite and capacitors also aid in reducing the effects of transients that may be present on the line.

**Note:** These parts are RoHS compliant.

#### Recommended Ferrite (SMT)

Manufacturer – Associated Component Technology (ACT) Part # CBZ1206-202-30-LF  
 Manufacturer – Murata Erie Part # BLM31AJ601SN1L

#### Recommended Ferrite (Thru-Hole)

Manufacturer – Associated Component Technology (ACT) Part # WB2-2.OT

#### Recommended Capacitor (SMT)

Manufacturer – NOVACAP Part # ES2211N221K502NXT  
 Manufacturer – Murata Erie Part # GA355DR7GC221KY02L

#### Recommended Capacitor (Thru-Hole)

Manufacturer – Ever Grace Electronic Industrials Part # YP221K2EA7PS-8.0  
 Manufacturer – Murata Erie Part # DE2B3KH221KA3B

**Note:** Capacitors used on T&R must have the Y2 safety rating.

#### Recommended RJ-11 Connector

Manufacturer – Full Rise Electronic Co. Part # E5964-00P045

#### Recommended Sidactor

Manufacturer – RayChem / Tyco Electronics Part # TVB400MSC-L  
 Manufacturer – ST Microelectronics Part# SMPMC-400

#### Recommended Poly Switch Thermal Fuse (SMT)

Manufacturer – RayChem / Tyco Electronics Part # TS600-170F

#### Recommended Poly Switch Thermal Fuse (Thru-Hole)

Manufacturer – RayChem (Tyco Electronics) Part# TRF600-150

**Note:** The Fuse & Sidactor are required in order to comply with UL60950 for protection against over-voltages from power line cross. Fuse can be reset type.

#### Common Mode Choke

Manufacturer – TDK Part # ZJYS51R5-2PT-01

#### Recommended Transceiver

Manufacturer – Analog Devices Part # ADM207EARZ

#### SIP Connector

Manufacturer – Neltron Industrial Co. (<http://www.neltron.com.tw/>) Part #2209S-xxSG  
 4-Pin 2.0mm SIP Socket (2 Each)  
 10-Pin 2.0mm SIP Socket (2 Each)

#### Telecom

The RJ-11 connector must meet FCC Part 68 requirements. Refer to FCC Part 68 section 68.500 subpart F for connector specifications. A self-healing fuse is used in series with line to help prevent damage to the DAA circuit. This fuse is required in order to meet compliance regulations.

**Note:** See *Application Notes* at the end of each SocketModem chapter.

## **Analog Labeling Requirements**

### **United States Labeling Requirements (for Dial-Up Modems)**

Telecom does not apply to all products. For example, this is not applicable for the SocketModem GPRS and CDMA products.

Approved terminal equipment and approved protective circuitry shall prominently display the following information using the format shown below:

- Responsible party
- Product Identification
- Equipment Code
- Ringer Equivalence
- Ringer Type
- Indication that the product meets the requirements of FCC Part 68

The information required by the first five items shall correspond to the records in the ACTA (America's Carriers Telecommunications Association) database of approved equipment. The required information shall be encoded in the following format:

**US: AAAEQ##TXXX**

Where:

US: Is a fixed field that indicates the equipment meets all requirements of 47 CFR Part 68, including the requirements published by ACTA (America's Carriers Telecommunications Association).

AAA is the responsible party's Grantee Code obtained previously from the FCC's Common Carrier Bureau or currently from ACTA.

EQ is an Equipment Code indicating to the Service Provider any special signal handling or billing requirements. The Equipment codes are listed in Annex A (normative).

## is the Ringer Equivalence Number without a decimal point (e.g. REN of 1.0 = 10, REN of 0.3 = 03). In the case of a "Z" ringer, ZZ shall appear. In the case of approved equipment without a network interface and equipment not connecting to circuits with analog ringing supplied then "NA" shall appear.

T is the ringer type letter associated with the Ringer Equivalence Number, in accordance with the technical requirements. In the case of approved equipment without a network interface and equipment not connecting to circuits with analog ringing supplied, the letter "N" shall appear.

XXX Is a product identifier, unique when combined with the responsible party's Grantee Code, of at least one and up to nine alphanumeric characters (including one or more dashes (-) if desired. A dash shall not appear as the first or last character nor shall the identifier consist entirely of dashes). The responsible party shall define this identifier.

### **Label Physical Characteristics**

The information required above shall be permanently affixed and legible without magnification. It may be etched, engraved, stamped, indelibly printed, or otherwise permanently marked. Alternatively, the required information may be permanently marked on a nameplate of metal, plastic or other material fastened to the enclosure by welding, riveting or with a permanent adhesive. Such a nameplate shall be able to last for the expected lifetime of the equipment and shall not be readily detachable.

### **Labeling Continuity and Changes**

The labeling content and format requirements in effect when a product was approved shall be effective for the life of the product. The labeling content and format requirements in effect at approval shall also continue to be effective for modified products. However, the responsible party shall have the option of conforming a product's labeling to current content and format requirements at any time.

### **Other Label Requirements**

The label shall be placed in one of the following locations in a location where it can be found after installation:

- on an outside surface
- inside a readily available access door or panel
- on another readily accessible surface

For example, the label should not be placed on the rear of a permanently wall-mounted device in a manner such that it is not readily accessible.



### Canadian Labeling Requirements (for Dial-Up Modems)

The following requirements are established under section 69.3 of the *Telecommunications Act* for purposes of section 5 of the *Telecommunications Apparatus Regulations*.

Registered equipment shall bear the following identifying marks, and the Declaring Party shall ensure that these marks are permanently affixed to the equipment:

- (a) The registration number — Specifications of this mark are given in the document: *Self-Marking of the Certification/Registration Number on Terminal Equipment — Application Procedure and Agreement*, and
- (b) The model identification number under which the product was registered.

A statement of compliance with Industry Canada requirements, such as the one given below, shall accompany each unit of equipment whether registered under this procedure or previously certified:

**"This product meets the applicable Industry Canada technical specifications"**

For terminal equipment intended for connection to loop-start or ground-start interfaces, the Ringer Equivalence Number (REN) must be calculated as per Section 1.8 of CS-03, Part I. A REN higher than that determined may be assigned by manufacturers to allow for production variations. The REN must be marked on the terminal equipment itself or added to the note below. A note similar to the following shall accompany each unit of equipment whether registered under this procedure or previously certified:

**"The Ringer Equivalence Number is an indication of the maximum number of devices allowed to be connected to a telephone interface. The termination on an interface may consist of any combination of devices subject only to the requirement that the sum of the RENs of all the devices does not exceed five".**

Pursuant to section 69.3 of the *Telecommunications Act*, certified or self-declared TE will bear a valid identifying certification number or registration number. The marking of the certification or registration number on the product shall be as follows:

- (a) TAC holder/DP will be responsible for permanently affixing the certification/registration number on the TE. The certification/registration number (see example below) identifies Certified or self-declared TE to the public, representatives of the telecommunications common carriers, the Department, and other interested parties. The letter height must be no less than 1.5 mm and the letters must be legible without magnification.
- (b) For integrated devices, e.g. a modem or one that is intended to become a sub-assembly of host equipment e.g. a data terminal, computer etc. that are designed to interface directly with the network, the certification/registration number shall be affixed to the integrated device itself.
- (c) The certification/registration number for a packaged TE will denote that the total package has been registered. However, the marking will normally be placed on that unit of the package which connects to the network; e.g., in a PBX the marking will be placed on the common equipment which connects to the network, rather than on plug-in components which may be added later. The Terminal Equipment List will show the common equipment but not the standard station apparatus or any proprietary station apparatus.
- (d) The marking format of the certification/registration number is as follows:  
IC: XXXXXX-YYYYYYYY  
Where:
  - The letters "IC" have no other meaning or purpose than to identify the Industry Canada certification/registration number, and
  - "XXXXXX-YYYYYYYY" is the certification/registration number; "XXXXXX" is the Company Number<sup>1</sup> (CN); it consists of up to six alphanumeric characters (A-Z, 0-9) assigned by Industry Canada; and "YYYYYYYY" is the Unique Product Number (UPN); it consists of up to eight alphanumeric characters (A-Z, 0-9) assigned by the applicant. Other characters, (such as & # \*-) may not be used. Alphabetic characters must be capitalized.

<sup>1</sup> **Note:** The Company Number of registered equipment ends with an alphabetic character.
- (e) Certification Numbers granted prior to the implementation of the above marking format are grandfathered.
  - (i) For previously certified TE, the self-marking format shall consist of the old certification number preceded by "IC:." For example, if the certification number is "123 1234 A", then the self-mark would read "IC: 123 1234 A".
  - (ii) For a new model that is registered to a family of previously certified TE, the self-marking format shall be:  
IC: XXXXXX-ZZZZZZZZ

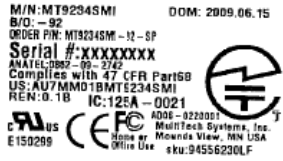
Where:

- "XXXXXX" is the Company Number, as in (d) above; and
- "ZZZZZZZ" is either the old certification number minus the old company number, or a new Unique Product Number assigned by the applicant. For example, if a new model is registered to the family of products with certification number "123 1234 A", and that the Company Number for the registration is "123A", then the self-mark for this new model would read "IC: 123A-1234 A". If the applicant decides to replace "1234 A" with a new UPN, say "5678", then the self-mark would read "IC: 123A-5678".

**Label Examples for Analog SocketModems**

**Note:** These do not apply to the Wireless GPRS and CDMA products.

**Comment [DAR25]:** Label Small MT9234SMI.png 6/16/09  
Label 9234SMI Scan0549\_000.png 6/16/09

 <p>M/N: MT9234SMI      DOM: 2009.06.15 B/O: - 92 ORDER PIN: MT9234SMI-92-SP Serial #: XXXXXXXX ANATEL: 082-09-2742 Complies with 47 CFR Part 15B US: AU7MM01BMT9234SMI REN: 0.1B      IC: 125A-0021 A006-0220001 Multi-Tech Systems, Inc. Morinda View, NEN USA sku: 94556230LF</p>	<p><b>Serial Label</b> This label shows the modem model (M/N), build option (B/O), date of manufacture (DOM), serial number, and North America and European Union regulatory information.</p>
<p><b>Regulatory Label for Internal Modem: MT9234SMI</b> Date of manufacture (DOM) is printed on internal Modem. ORDER P/N: MT9234SMI GLOBAL REG. LABEL SKU# 20043710L</p> <p>Product of USA with foreign content <b>Multi-Tech Systems</b></p> <p>Complies with 47 CFR Part 15B Reg. US: AU7MM01BMT9234SMI      REN: 0.1B For Home Use      CDFETEL: YTDMMT06-688 IC: 125A-0021      E150289 Chile: SUBTEL 5778</p> <p>Argentina: CMC-54-4019 Indonesia: 0858B/POSTEL/2006 Philippines: ESD-CPE-0901146</p> <p>Russia: Д-ТФ-0136</p> <p>型号: MT9234SMI      美国制造 摩迪泰克系统有限公司 美国明尼苏达州沃兹维尔市 伍威尔路2205号, 邮政编码55112</p> <p>AD06-0220001 A005676</p> <p>TELEPERMIT This Multi-Tech MT9234SMI modem is Approved for Connection to the Telcel Network PTC 211/06/043      RN=0.5 CCAB06M1003017</p> <p>Complies with ICA Standards DB-00620 ANATEL Agência Nacional de Telecomunicações      0882-09-2742 (01)07899029303222</p>	<p>This is an example of Regulatory Label which is available from Multi-Tech by request.</p>

**Comment [DAR26]:** Label 9234SMI Scan 0549\_000.png 55KB 6/15/09

## Safety Notices and Warnings

**Note to OEMs:** The following safety statements may be used in the documentation of your final product applications.

### *Wireless Safety*

#### **General Safety**

The modem is designed for and intended to be used in fixed and mobile applications. “Fixed” means that the device is physically secured at one location and is not able to be easily moved to another location. “Mobile” means that the device is designed to be used in other than fixed locations.

#### **RF Safety**

The remote modems are wireless cellular telephones devices. It is important to follow any special regulations regarding the use of radio equipment due in particular to the possibility of Radio Frequency (RF) interference.

**Caution:** A separation distance of at least 20 cm must be maintained between the modem transmitter’s antenna and the body of the user or nearby persons. The modem is not designed for or intended to be used in portable applications within 20 cm of the body of the user. In particular, if using a Yagi antenna, it must be in a location that prevents public exposure to the radiation limits being exceeded. Check your local standards regarding safe distances, etc.

- Wireless modems in an ATM in, for example, a hospital environment and any other place where medical equipment may be in use, may be a hazard. This statement also applies to inadequately protected personal medical devices such as hearing aids and pacemakers.
- Operation of a wireless modem close to other electronic equipment may also cause interference if the equipment is inadequately protected. Observe any warning signs and manufacturers’ recommendations.
- The modems must not be operated around gasoline or diesel-fuel.

#### **RF Interference Safety**

It is important to follow any special regulations regarding the use of radio equipment due in particular to the possibility of radio frequency, RF, interference. Please follow the safety advice given below carefully.

- Switch OFF your Wireless MultiModem when in an aircraft. The use of cellular telephones in an aircraft may endanger the operation of the aircraft, disrupt the cellular network and is illegal. Failure to observe this instruction may lead to suspension or denial of cellular telephone services to the offender, or legal action or both.
- Switch OFF your Wireless MultiModem when around gasoline or diesel-fuel pumps and before filling your vehicle with fuel.
- Switch OFF your wireless device in hospitals and any other place where medical equipment may be in use.
- Respect restrictions on the use of radio equipment in fuel depots, chemical plants or where blasting operations are in progress.
- There may be a hazard associated with the operation of your wireless device close to inadequately protected personal medical devices such as hearing aids and pacemakers. Consult the manufacturers of the medical device to determine if it is adequately protected.
- Operation of your wireless device close to other electronic equipment may also cause interference if the equipment is inadequately protected. Observe any warning signs and manufacturers’ recommendations.

#### **Vehicle Safety**

- Do not use your wireless device while driving.
- Respect national regulations on the use of cellular telephones in vehicles. Road safety always comes first.
- If incorrectly installed in a vehicle, the operation of a wireless telephone could interfere with the correct functioning of vehicle electronics. To avoid such problems, be sure that qualified personnel have performed the installation. Verification of the protection of vehicle electronics should be part of the installation.
- The use of an alert device to operate a vehicle’s lights or horn on public roads is not permitted.

### ***Maintenance of Your Wireless Device***

Your wireless device is the product of advanced engineering, design, and craftsmanship and should be treated with care. The suggestions below will help you to enjoy this product for many years.

- Do not expose the wireless device to any extreme environment where the temperature is above 50°C or humidity is above 90% noncondensing.
- Do not attempt to disassemble the wireless device. There are no user serviceable parts inside.
- Do not expose the wireless device to water, rain, or spilled beverages. It is not waterproof.
- Do not place the wireless device alongside computer discs, credit or travel cards, or other magnetic media. The phone may affect the information contained on discs or cards.
- The use of accessories not authorized by Multi-Tech or not compliant with Multi-Tech's accessory specifications may invalidate the warranty of the wireless device.
- In the unlikely event of a fault in the wireless device, contact Multi-Tech Tech Support.

### ***Your Responsibility***

This wireless device is your responsibility. Please treat it with care respecting all local regulations. It is not a toy. Therefore, keep it in a safe place at all times and out of the reach of children.

Try to remember your Unlock and PIN codes. Become familiar with and use the security features to block unauthorized use and theft.

### ***Analog Telecom Safety Warnings***

1. Never install telephone wiring during a lightning storm.
2. Never install a telephone jack in wet locations unless the jack is specifically designed for wet locations.
3. This product is to be used with UL and cUL listed computers.
4. Never touch uninsulated telephone wires or terminals unless the telephone line has been disconnected at the network interface.
5. Use caution when installing or modifying telephone lines.
6. Avoid using a telephone during an electrical storm. There may be a remote risk of electrical shock from lightning.
7. Do not use a telephone in the vicinity of a gas leak.
8. To reduce the risk of fire, use only 26 AWG or larger telecommunication line cord.
9. This product must be disconnected from its power source and telephone network interface when servicing.

## Telecom Approvals for Analog Modems

Multi-Tech's Analog Global\* SocketModems are designed and approved for connection to the public switched telephone network in more than 50 countries or regions worldwide. Multi-Tech's SocketModems have been approved as host independent, which means our certification efforts can be transferred directly to your end product with proper labeling on the OEM equipment. Multi-Tech supports our approvals by supplying our customers with supporting documentation and offering a compliance label with country or regional approval logos and approval numbers to be attached to an end product.

The following is a list of countries or regions that Multi-Tech completes testing and obtains\*\* certification test reports or certificates at or near the initial release of the product. After the initial release, the product may be tested and certified for other countries or regions. Check the Multi-Tech Systems, Inc. Web site at

<http://www.multitech.com/products/info/approvals/smi.asp> or contact Multi-Tech at [oesales@multitech.com](mailto:oesales@multitech.com) to obtain a current list of approvals for the SocketModem.

Countries or Regions			
Argentina	France	Liechtenstein	Singapore
Australia	Germany	Lithuania	Slovakia Republic
Austria	Greece	Luxembourg	Slovenia
Belgium	Hong Kong, S.A.R. of China	Malta	South Africa
Bulgaria	Hungary	Mexico	Spain
Canada	Iceland	Netherlands	Sweden
Chile	Indonesia	New Zealand	Switzerland
China	Ireland	Norway	Taiwan
Cyprus	Israel	Philippines	Thailand
Czech Republic	Italy	Poland	Turkey
Denmark	Japan	Portugal	United Kingdom
Estonia	Korea	Romania	United States
Finland	Latvia	Russia	

The above list is our target set of countries or regions in which the global\* SocketModems are approved. Many of the approvals are completed at the time the product is released to market; whereas, others may take additional months to complete the approval.

\* Refer to each chapter for Product Ordering Information identifying the modem as Global or Regional.

\*\* Some countries or regions have special import requirements that require us to facilitate additional paperwork application in partner with our customers. Contact Technical Support or Multi-Tech at [oesales@multitech.com](mailto:oesales@multitech.com) for more information.

**Note:**

**Setting Country/Regional Codes** – Country or Regional Codes are usually set through AT Commands. See each product's AT Command guide.

## Regulatory Compliance Statements

### Country/Region-Specific Statements



#### EMC, Safety, and R&TTE Directive Compliance

The CE mark is affixed to this product to confirm compliance with the following European Community Directives:

Council Directive 2004/108/EC of 15 December 2004 on the approximation of the laws of Member States relating to electromagnetic compatibility;

and

Council Directive 2006/95/EC of 12 December 2006 on the harmonization of the laws of Member States relating to electrical equipment designed for use within certain voltage limits;

and

Council Directive 1999/5/EC of 9 March 1999 on radio equipment and telecommunications terminal equipment and the mutual recognition of their conformity.

#### International Modem Restrictions

Some dialing and answering defaults and restrictions may vary for international modems. Changing settings may cause a modem to become non-compliant with national telecom requirements in specific countries. Also note that some software packages may have features or lack restrictions that may cause the modem to become non-compliant.

#### EMC Requirements for the United States

##### 47 CFR – FCC Part 15 Regulation

This equipment has been tested and found to comply with the limits for a **Class B** digital device, pursuant to 47 CFR – FCC Part 15 regulations. The stated limits in this regulation are designed to provide reasonable protection against harmful interference in a residential environment. This equipment generates, uses, and can radiate radio frequency energy, and if not installed and used in accordance with the instructions, may cause harmful interference to radio communications. However, there is no guarantee that interference will not occur in a particular installation. If this equipment does cause harmful interference to radio or television reception, which can be determined by turning the equipment off and on, the user is encouraged to try to correct the interference by one or more of the following measures:

- Reorient or relocate the receiving antenna.
- Increase the separation between the equipment and receiver.
- Plug the equipment into an outlet on a circuit different from that to which the receiver is connected.
- Consult the dealer or an experienced radio/TV technician for help.

This device complies with 47 CFR – FCC Part 15 rules. Operation of this device is subject to the following conditions:

- (1) This device may not cause harmful interference, and
- (2) This device must accept any interference that may cause undesired operation.

**Warning:** Changes or modifications to this unit not expressly approved by the party responsible for compliance could void the user's authority to operate the equipment.

#### EMC Requirements for Industry Canada

This Class B digital apparatus meets all requirements of the Canadian Interference-Causing Equipment Regulations.

Cet appareil numérique de la classe B respecte toutes les exigences du Règlement Canadien sur le matériel brouilleur.

**47 CFR Part 68 Telecom**

- 1. This equipment complies with Part 68 of the 47 CFR rules and the requirements adopted by the ACTA. Located on this equipment is a label that contains, among other information, the registration number and ringer equivalence number (REN) for this equipment or a product identifier in the format:

For current products is **US:AAAEQ##Txxxx**.

For legacy products is **AU7USA-xxxx-xx-x**.

If requested, this number must be provided to the telephone company.

- 2. A plug and jack used to connect this equipment to the premises wiring and telephone network must comply with the applicable 47 CFR Part 68 rules and requirements adopted by the ACTA. It's designed to be connected to a compatible modular jack that is also compliant.
- 3. The ringer equivalence number (REN) is used to determine the number of devices that may be connected to a telephone line. Excessive RENs on a telephone line may result in the devices not ringing in response to an incoming call. In most but not all areas, the sum of RENs should not exceed five (5.0). To be certain of the number of devices that may be connected to a line, as determined by the total RENs, contact the local telephone company. For products approved after July 23, 2001, the REN for this product is part of the product identifier that has the format US:AAAEQ##Txxxx. The digits represented by ## are the REN without a decimal point (e.g., 03 is a REN of 0.3). For earlier products, the REN is separately shown on the label.
- 4. If this equipment causes harm to the telephone network, the telephone company will notify you in advance that temporary discontinuance of service may be required. But if advance notice isn't practical, the telephone company will notify the customer as soon as possible. Also, you will be advised of your right to file a complaint with the FCC if you believe it is necessary.
- 5. The telephone company may make changes in its facilities, equipment, operations or procedures that could affect the operation of the equipment. If this happens, the telephone company will provide advance notice in order for you to make necessary modifications to maintain uninterrupted service.
- 6. If trouble is experienced with this equipment, please contact Multi-Tech Systems, Inc. at the address shown below for details of how to have the repairs made. If the equipment is causing harm to the telephone network, the telephone company may request that you disconnect the equipment until the problem is resolved.
- 7. Connection to party line service is subject to state tariffs. Contact the state public utility commission, public service commission or corporation commission for information.
- 8. No repairs are to be made by you. Repairs are to be made only by Multi-Tech Systems or its licensees. Unauthorized repairs void registration and warranty.
- 9. If your home has specially wired alarm equipment connected to the telephone line, ensure the installation of this equipment does not disable your alarm equipment. If you have questions about what will disable alarm equipment, consult your telephone company or a qualified installer.
- 10. Connection to party line service is subject to state tariffs. Contact the state public utility commission, public service commission or corporation commission for information.
- 11. This equipment is hearing aid compatible.
- 12. Manufacturing Information on telecommunications device (modem):

Manufacturer:	Multi-Tech Systems, Inc.		
Trade Name:	Socket Modem	SocketModem	SocketModem
Model Number:	MT9234SMI	MT5692SMI	MT2492SMI
Registration No:	US:AU7MM01BMT9234SMI	US:AU7MM01BMT5692SMI	US:AU7MM01B2492SMI
Ringer Equivalence:	0.1B		
Modular Jack (USOC):	RJ11C or RJ11W (single line)		
Service Center in USA:	Multi-Tech Systems, Inc. 2205 Woodale Drive Mounds View, MN 55112 U.S.A. (763) 785-3500 (763) 785-9874 Fax		

### **New Zealand Telecom Warning Notice**

1. The grant of a Telepermit for any item of terminal equipment indicates only that Telecom has accepted that the item complies with minimum conditions for connection to its network. It indicates no endorsement of the product by Telecom, nor does it provide any sort of warranty. Above all, it provides no assurance that any item will work correctly in all respects with another item of Telepermitted equipment of a different make or model, nor does it imply that any product is compatible with all of Telecom's network services. This equipment is not capable under all operating conditions of correct operating conditions of correct operation at the higher speed which it is designated. 33.6 kbps and 56 kbps connections are likely to be restricted to lower bit rates when connected to some PSTN implementations. Telecom will accept no responsibility should difficulties arise in such circumstances.
2. Immediately disconnect this equipment should it become physically damaged, and arrange for its disposal or repair.
3. This modem shall not be used in any manner which could constitute a nuisance to other Telecom customers.
4. This device is equipped with pulse dialing, while the Telecom standard is DTMF tone dialing. There is no guarantee that Telecom lines will always continue to support pulse dialing. Use of pulse dialing, when this equipment is connected to the same line as other equipment, may give rise to 'bell tinkle' or noise and may also cause a false answer condition. Should such problems occur, the user should NOT contact the Telecom Faults Service. The preferred method of dialing is to use DTMF tones, as this is faster than pulse (decadic) dialing and is readily available on almost all New Zealand telephone exchanges.
5. Warning Notice: No '111' or other calls can be made from this device during a mains power failure.
6. This equipment may not provide for the effective hand-over of a call to another device connected to the same line.
7. Some parameters required for compliance with Telecom's Telepermit requirements are dependent on the equipment (PC) associated with this device. The associated equipment shall be set to operate within the following limits for compliance with Telecom's Specifications:  
For repeat calls to the same number:
  - There shall be no more than 10 call attempts to the same number within any 30 minute period for any single manual call initiation, and
  - The equipment shall go on-hook for a period of not less than 30 seconds between the end of one attempt and the beginning of the next attempt.
 For automatic calls to different numbers:
  - The equipment shall be set to ensure that automatic calls to different numbers are spaced such that there is no less than 5 seconds between the end of one call attempt and the beginning of another.
8. For correct operation, total of the RN's of all devices connected to a single line at any time should not exceed 5.

### **South African Statement**

This modem must be used in conjunction with an approved surge protection device.

### **Thailand Approval for MT9234SMI and the MT5692SMI**

This telecom device conforms to NTC\* requirements.

*\*NTC is the National Telecommunications Commission, Thailand's telecommunications regulator.*

“เครื่องโทรคมนาคมและอุปกรณ์นี้ มีความสอดคล้องตามข้อกำหนดของ กทช.”



### Brazil Approval for the MT9234SMI and MT5656SMI

This product has been homologated by ANATEL. This product meets the applied technical requirements in accordance with the procedures regulated by ANATEL. Reference of homologation of this product can be viewed in ANATEL web page: <http://www.anatel.gov.br>



Brazil Bar Code for MT9234SMI



Brazil Bar Code for MT5656SMI

### Brazil Certification (MT9234SMI Model Only)

*A special phone cable is required for regulatory compliance.*

Um cabo especial para telefone é requerido para a conformidade regulatória.



## Japan Requirements

These devices conform to (JATE) Japan Approval Institute for Telecommunications Equipment:

MT5692SMI – JATE Approval A09-0123001

MT9234SMI – JATE Approval AD06-0220001

**Important Note:** SocketModems are approved for product development in Japan only if they are removable from the manufactured product. The SocketModem must not be soldered into place.



Japan requires that your manufactured product documentation include SocketModem installation and removal instructions as well as connection to the PSTN network. The following text provides general steps to follow.

### **Installation of the SocketModem from Your Manufactured Product**

1. If applicable, disconnect any power cord and peripherals you may have attached to your manufactured product.
2. Place the SocketModem on the board of your product. Be sure to match the pins on the SocketModem with the correct orientation on your board.
3. Be sure that the SocketModem is securely fastened to board so that it cannot come loose while handling or during shipping. Some examples of fasteners include nylon screws, tie wraps, etc. Remember that you cannot solder the SocketModem in place.
4. Put the cover on your product and connect the power and peripherals.

### **Removal of the SocketModem from your Manufactured Product**

1. Back up the current configuration of your manufactured product if you want to save it.
2. Record any information not stored in the configuration that you may want to reference.
3. Disconnect any power cord and peripherals from your manufactured product.
4. Remove the cover from your product.
5. To remove the SocketModem, gently lift the SocketModem upwards while holding the board in place.

### **Connecting to the PSTN Network**

For connection to a PSTN network, see the *Tip and Ring Interface* section in each analog SocketModem chapter.

## Other Countries

The above country-specific examples do not cover all countries with specific regulations; they are included to show you how each country may differ. If you have trouble determining your own country's requirements, check with Multi-Tech's Technical Support for assistance.

## ***Waste Electrical and Electronic Equipment Statement***

**Note to OEMs: The statement is included for your information and may be used in the documentation of your final product applications.**

### ***WEEE Directive***

The WEEE directive places an obligation on EU-based manufacturers, distributors, retailers, and importers to take-back electronics products at the end of their useful life. A sister Directive, ROHS (Restriction of Hazardous Substances) complements the WEEE Directive by banning the presence of specific hazardous substances in the products at the design phase. The WEEE Directive covers all Multi-Tech products imported into the EU as of August 13, 2005. EU-based manufacturers, distributors, retailers and importers are obliged to finance the costs of recovery from municipal collection points, reuse, and recycling of specified percentages per the WEEE requirements.

### ***Instructions for Disposal of WEEE by Users in the European Union***

The symbol shown below is on the product or on its packaging, which indicates that this product must not be disposed of with other waste. Instead, it is the user's responsibility to dispose of their waste equipment by handing it over to a designated collection point for the recycling of waste electrical and electronic equipment. The separate collection and recycling of your waste equipment at the time of disposal will help to conserve natural resources and ensure that it is recycled in a manner that protects human health and the environment. For more information about where you can drop off your waste equipment for recycling, please contact your local city office, your household waste disposal service or where you purchased the product.

July, 2005



Comment [DAR27]: Stored in common text as png. 3KB

## ***Restriction of the Use of Hazardous Substances (RoHS)***



### **Multi-Tech Systems, Inc. Certificate of Compliance 2002/95/EC**

Multi-Tech Systems Inc. confirms that its embedded products now comply with the chemical concentration limitations set forth in the directive **2002/95/EC** of the European Parliament (Restriction Of the use of certain Hazardous Substances in electrical and electronic equipment - **RoHS**)

These Multi-Tech Systems, Inc. products do not contain the following banned chemicals:

- Lead, [Pb] < 1000 PPM
- Mercury, [Hg] < 1000 PPM
- Hexavalent Chromium, [Cr+6] < 1000 PPM
- Cadmium, [Cd] < 100 PPM
- Polybrominated Biphenyl, [PBB] < 1000 PPM
- Polybrominated Diphenyl Ether, [PBDE] < 1000 PPM

Moisture Sensitivity Level (MSL) =1  
Maximum Soldering temperature = 260C (wave only)

#### **Notes:**

1. Lead usage in some components is exempted by the following RoHS annex; therefore, higher lead concentration would be found in some SocketModems (>1000ppm).
  - a. Lead in high melting temperature type solders (i.e., tin-lead solder alloys containing more than 85% lead).
  - b. Lead in electronic ceramic parts (e.g., piezoelectronic devices).
2. Moisture Sensitivity Level (MSL) – Analysis is based on the components/material used on the board.

Comment [DAR28]: Bud said to take out the Tin Whisker growth statements 8/24/09. He had said this previously, but they somehow didn't get removed.

## **Information on HS/TS Substances according to Chinese Standards in English**

In accordance with China's Administrative Measures on the Control of Pollution Caused by Electronic Information Products (EIP) # 39, also known as China RoHS, the following information is provided regarding the names and concentration levels of Toxic Substances (TS) or Hazardous Substances (HS) which may be contained in Multi-Tech Systems Inc. products relative to the EIP standards set by China's Ministry of Information Industry (MII).

Name of the Component	Hazardous/Toxic Substance/Elements					
	Lead (PB)	Mercury (Hg)	Cadmium (CD)	Hexavalent Chromium (CR6+)	Polybrominated Biphenyl (PBB)	Polybrominated Diphenyl Ether (PBDE)
Printed Circuit Boards	O	O	O	O	O	O
Resistors	X	O	O	O	O	O
Capacitors	X	O	O	O	O	O
Ferrite Beads	O	O	O	O	O	O
Relays/Opticals	O	O	O	O	O	O
ICs	O	O	O	O	O	O
Diodes/ Transistors	O	O	O	O	O	O
Oscillators and Crystals	X	O	O	O	O	O
Regulator	O	O	O	O	O	O
Voltage Sensor	O	O	O	O	O	O
Transformer	O	O	O	O	O	O
Speaker	O	O	O	O	O	O
Connectors	O	O	O	O	O	O
LEDs	O	O	O	O	O	O
Screws, Nuts, and other Hardware	X	O	O	O	O	O
ac-dc Power Supplies	O	O	O	O	O	O
Software / Documentation CDs	O	O	O	O	O	O
Booklets and Paperwork	O	O	O	O	O	O
Chassis	O	O	O	O	O	O

- X** Represents that the concentration of such hazardous/toxic substance in all the units of homogeneous material of such component is higher than the SJ/Txxx-2006 Requirements for Concentration Limits.
- O** Represents that no such substances are used or that the concentration is within the aforementioned limits.

## Information on HS/TS Substances According to Chinese Standards in Chinese

### 依照中国标准的有毒有害物质信息

根据中华人民共和国信息产业部 (MIIT) 制定的电子信息产品 (EIP)

标准—中华人民共和国《电子信息产品污染控制管理办法》(第 39 号), 也称作中国

RoHS, 下表列出了 Multi-Tech Systems, Inc. 产品中可能含有的有毒物质 (TS) 或有害物质 (HS) 的名称及含量水平方面的信息。

成分名称	有害/有毒物质/元素					
	铅 (PB)	汞 (Hg)	镉 (CD)	六价铬 (CR6+)	多溴联苯 (PBB)	多溴二苯醚 (PBDE)
印刷电路板	0	0	0	0	0	0
电阻器	X	0	0	0	0	0
电容器	X	0	0	0	0	0
铁氧体磁环	0	0	0	0	0	0
继电器/光学部件	0	0	0	0	0	0
IC	0	0	0	0	0	0
二极管/晶体管	0	0	0	0	0	0
振荡器和晶振	X	0	0	0	0	0
调节器	0	0	0	0	0	0
电压传感器	0	0	0	0	0	0
变压器	0	0	0	0	0	0
扬声器	0	0	0	0	0	0
连接器	0	0	0	0	0	0
LED	0	0	0	0	0	0
螺丝、螺母以及其它五金件	X	0	0	0	0	0
交流-直流电源	0	0	0	0	0	0
软件/文档 CD	0	0	0	0	0	0
手册和纸页	0	0	0	0	0	0
底盘	0	0	0	0	0	0

**X** 表示所有使用类似材料的设备中有害/有毒物质的含量水平高于 SJ/Txxx-2006 限量要求。

**0** 表示不含该物质或者该物质的含量水平在上述限量要求之内。

# *Part 2*

## *Wireless Socket Modems*

**Chapter 2 – SocketModem Cell and iCell**

**Chapter 3 – SocketModem CDMA**

**Chapter 4 – SocketModem EDGE**

**Chapter 5 – SocketModem HSDPA**

# Chapter 2 – SocketModem<sup>®</sup> Cell (MTSMC-G2) & SocketModem<sup>®</sup> iCell (MTSMC-G2-IP)

## Introduction

The MTSMC-G2 is a serial to wireless quad-band GPRS SocketModem. It is a complete, ready-to-integrate SocketModem that offers standards-based multi-band GSM/GPRS Class 10 performance. It is based on industry-standard open interfaces and utilizes Multi-Tech's universal socket design. The SocketModem is available with the Multi-Tech's *Universal IP™* stack to bring embedded Internet connectivity to any device.

### Notes about Activation:

- These units are shipped without network activation.
- To connect to the wireless network, you will have to establish a wireless account. See the Wireless Activation procedures on separate sheets included with the Developer Kit and available on the Developer Kit CD.

## Product Build Options and Ordering Information

Product	Description	Region	Order This Product ✓
MTSMC-G2	Quad-band GPRS SocketModem Cell	US Default	
MTSMC-G2-ED	Quad-band GPRS SocketModem Cell	EU Default	
MTSMC-G2-V	Quad-band GPRS SocketModem Cell with Voice	US Default	
MTSMC-G2-V-ED	Quad-band GPRS SocketModem Cell with Voice	EU Default	
MTSMC-G2-IP	Quad-band GPRS SocketModem iCell with Universal IP	US Default	
MTSMC-G2-IP-ED	Quad-band GPRS SocketModem iCell with Universal IP	EU Default	
<b>Developer Kit</b>			
MTSMI-UDK	Universal Developer Kit	Global	

### How to Read the Product Codes in the Table Above:

- G2      GPRS
- ED      European Default
- V        Voice (microphone and speaker)
- IP        Universal IP™ Stack
- UDK     Universal Developer Kit

### Other Product Codes:

The complete product code may end in **.Rx**. For example, MTSMC-G2.Rx.  
 "R" indicates product revision. "x" is the revision number.

**Note:** All products can be ordered in single packs or 50-packs. Single pack product codes end in **SP**.

## AT Commands Reference Guides

Products	AT Commands Reference Guide Title & Document Number	Fax Commands	Voice Commands
<b>SocketModem Cell (MTSMC-G2 and MTSMC-G2-V)</b>	GPRS AT Commands for Multi-Tech G2 Wireless Modems ( <b>S000463x</b> ) AT Commands for Multi-Tech G2 Wireless Modems with IP Connectivity ( <b>S000469x</b> )	NA	Included
<b>SocketModem iCell (TSMC-G2-IP)</b>	GPRS AT Commands for Multi-Tech G2 Wireless Modems ( <b>S000463x</b> ) Universal IP Commands ( <b>S000457x</b> )	NA	Included



## Technical Specifications

The MTSMC-G2 and MTSMC-G2-IP SocketModems meet the following specifications:

Category	Description
Standards	GPRS Class 10
Frequency Bands	Quad-band GSM/EGPRS 850/900/1800/1900 MHz
Serial/Data Speed	Serial interface supports DTE speeds up to 921.6K IP interface supports DTE speeds at the fixed rate of 115.2 Packet data up to 85.6K bps Circuit-switched data (GPRS) up to 14.4K bps transparent and non-transparent Supports data rates of 921600, 460800, 230400, 115200 bps
Data Format	10 bit Serial Asynchronous
Data Error Correction	MNP2
Data Compression	V.42bis
Weight	1 oz. (28 g)
Size	3.15" x 1.375" (80.010 mm x 34.925 mm)
Operating Temperature	-40° C to +85° C
Storage Temperature	-40 °C to +85°C
Humidity	10% to 90%
Input Power	5VDC
Operating Voltage	Supply Range: VCC Maximum: 5.5
Voltage at Any Signal Pin	Minimum: GND Maximum: VCC
Antenna Connector	Surface mount UFL
SIM Holder	Standard 3V SIM holder
IP Protocols Supported	<b>MTSMC-G2</b> DNS Resolve, FTP client, LCP, PPP (dial-out), TCP socket, UDP socket, PAP & CHAP authentication <b>MTSMC-G2-IP</b> DNS Client, FTP Client, ICMP (Ping), POP3 Client, SMTP Client, TCP Client & Server, UDP Client & Server, IP, PPP (dial-out) with PAP & CHAP authentication
M2M Applications	<b>MTSMC-G2-IP</b> Automatic connect/reconnect, device monitor, modem emulation, Ping & TCP keep alive, wake-up on caller ID, wake-up on ring
Compliance	<b>EMC Compliance</b> FCC Part 15 EN55022 EN55024 <b>Radio Compliance</b> FCC Part 22 FCC Part 24 RSS 132 RSS 133 EN 301 511 EN 301 489-1 EN 301 489-7 AS/ACIF S042.1 AS/ACIF S042.3 <b>Safety Compliance</b> UL 60950-1 cUL 60950-1 IEC 60950-1 AS/NZS 60950-1 <b>Network Compliance</b> PTCRB
Warranty	Two years

Comment [DAR29]: From Dustin 6/24/09

Comment [DAR30]: From Dustin 6/24/09

Comment [DAR31]: Updated list from Dustin for Rev. K

Specifications Continued:

Category	Description
Features	Modes of Operation: Data Mode, Command Mode, and Voice Mode Embedded TCP/IP stack Short Message Services (SMS) RTS/CTS hardware flow control AT command compatible Support for HR, FR, EFR, and AMR (Adaptive Multi Rate) voice codec support Flash upgradeable Non-volatile memory

## DC Electrical Characteristics

Units: Volts

5V DC Characteristics (VDD = 5V ± 0.25V) VDDMAX = 5.25V

Parameter	Minimum	Maximum
Digital Signal Input Low Level –DTR (40), –TXD (35), –RTS (33)	GND	0.8
Digital Signal Input High Level –DTR (40), –TXD (35), –RTS (33)	2	Vcc
Digital Signal Output Low Level –DCD (39), –CTS (38), –DSR (37), –RI (36), –RXD (34)		0.4
Digital Signal Output High Level –DCD (39), –CTS (38), –DSR (37), –RI (36), –RXD (34)	3.84	
Reset (Low Active) Input Low Level –Reset (24)		0.8
Reset (Low Active) Input High Level –Reset (24)	2	
Digital Input Capacitance		14pF

## Power Measurements

### MTSMC-G2 Measured Power\* Measures at Input Voltage 5.00

	Sleep	Typical	Maximum	Peak
Current (AMPS)	0.049	0.113	0.24	1.10
Watts	0.245	0.564	1.195	

Comment [DAR32]: Measurements for MTSMC-G2-IP 73120965 Rev 0 from Tom Fix. He suggested the current peak text also 4/22/09. He said these measurements apply to G2 without IP, too.

### MTSMC-G2-IP Measured Power\* Measures at Input Voltage 5.00

	Sleep	Typical	Maximum	Peak
Current (AMPS)	0.080	0.135	0.280	1.250
Watts	0.382	0.664	1.358	

Comment [DAR33]: Measurements for MTSMC-G2-IP 73120965 Rev 0 from Tom Fix. He suggested the current peak text also 4/22/09. He said these measurements apply to G2 without IP, too.

Note: Current Peak = 150mA maximum during Tx burst.

### MTSMC-G2-GP (for GPS) Measured Power\* Measures at Input Voltage 5.00

	Sleep Mode	Typical	Maximum	Peak
Current (AMPS)	0.013	0.115	0.481	1.400
Watts	0.065	0.574	2.386	

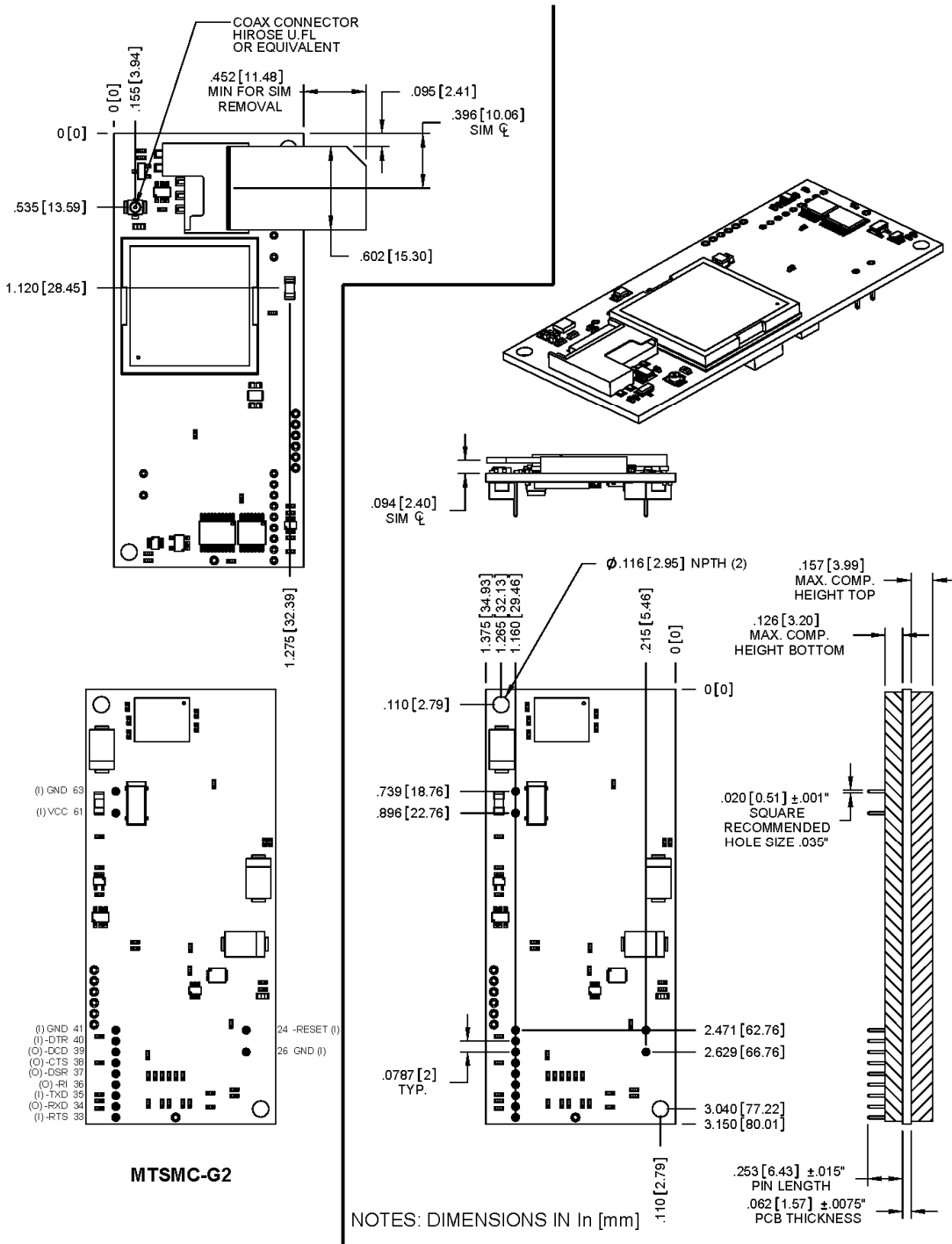
Comment [DAR34]: Measurements for MTSMC-G2-gp from Tom Fix 10/06/09.

---

\* Multi-Tech Systems, Inc. recommends that the customer incorporate a 10% buffer into their power source when determining product load.

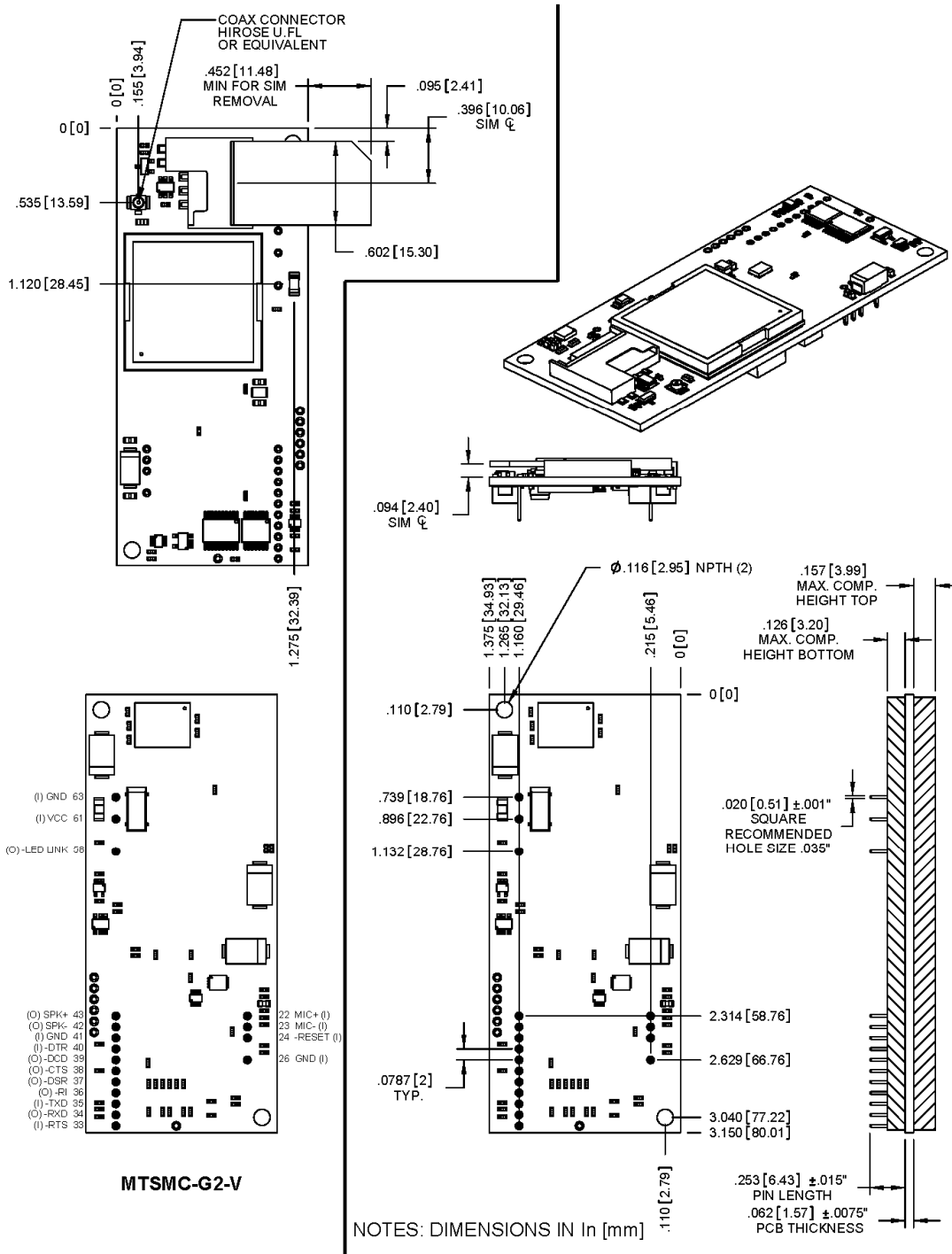
# Mechanical Drawings – Basic Build

Comment [DAR35]: Vault Data 357  
08/26/09



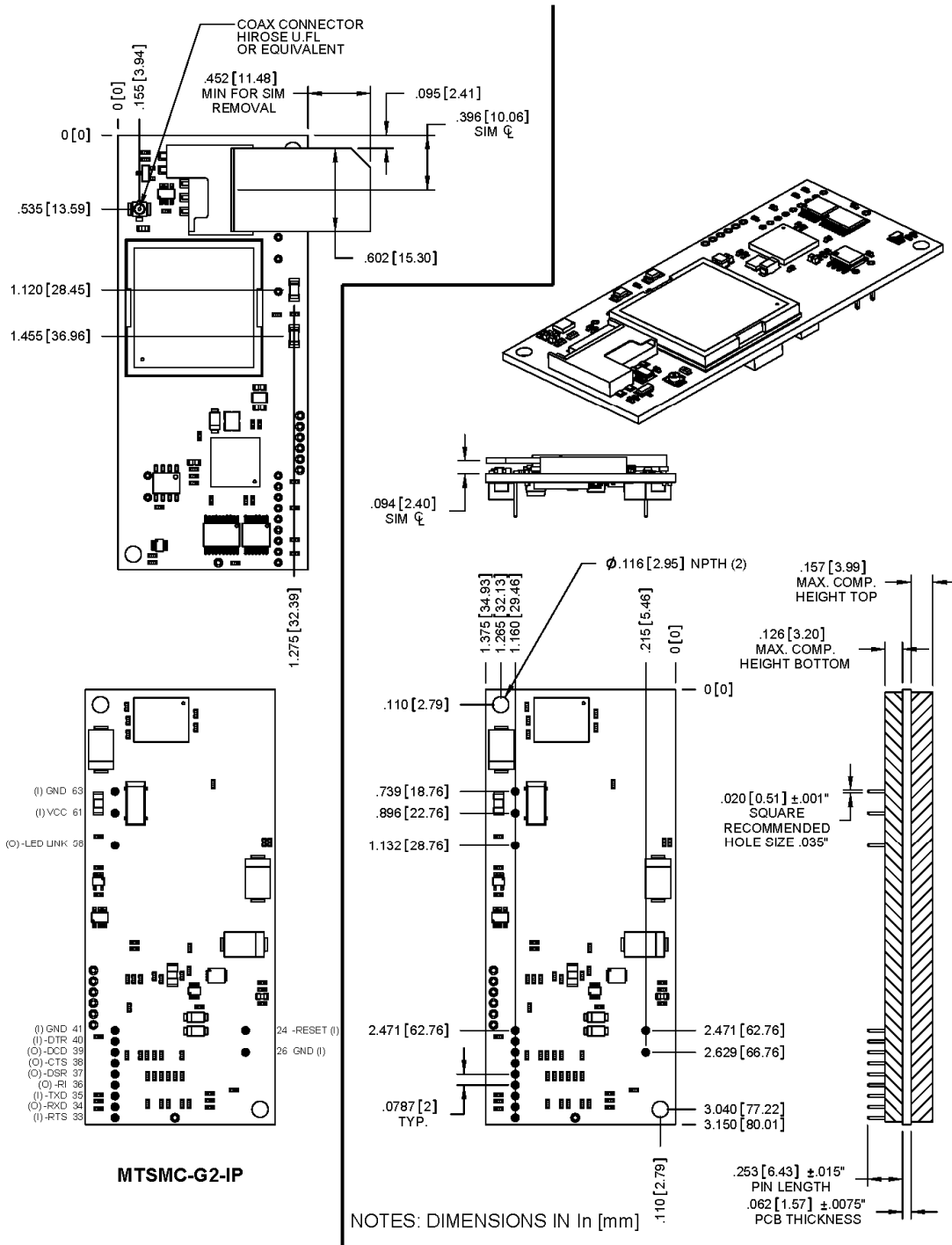
# Mechanical Drawings – Voice Build

Comment [DAR36]: Vault Data 375  
08/26/09



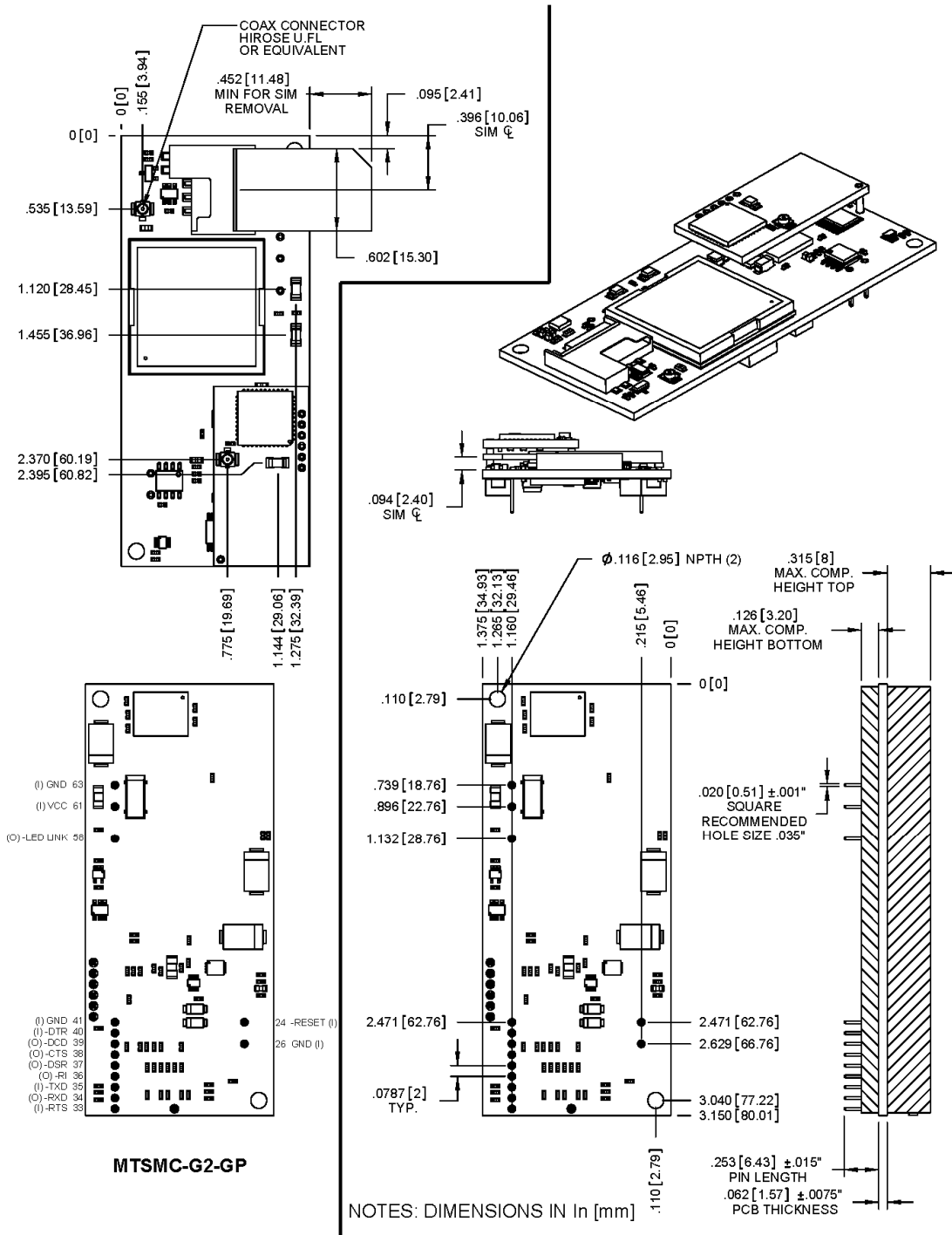
# Mechanical Drawings – IP Build

Comment [DAR37]: 8/26/09.  
Dean's #357 in Vault Data MTSMC-G2-IP-Manual.png



# Mechanical Drawings – GPS Build

Comment [DAR38]: 8/26/09.  
Dean's #357 in Vault Data MTSMC-G2-GP-Manual.png



## Application Notes

### Flashing LED Interface

The flashing LED signal is used to indicate the working mode of the SocketModem.

#### LEDs and SocketModem Status

Signal	SocketModem Status	
OFF	Download mode or switched OFF>	
ON	Continuously lit	Switched ON (not registered on the network)
	Flashing	Switched ON (registered on the network)

### RF Performances

RF performances are compliant with the ETSI recommendation 05.05 and 11.10.

**Note:** The following statistics are subject to change due to pending test results.

The main parameters are:

#### Receiver Features

- EGSM Sensitivity : < -104 dBm
- GSM 1800/GSM 1900 Sensitivity : < -102 dBm
- Selectivity @ 200 kHz : > +9 dBc
- Selectivity @ 400 kHz : > +41 dBc
- Dynamic range : 62 dB
- Intermodulation : > -43 dBm
- Co-channel rejection : + 9 dBc

#### Transmitter Features

- Maximum output power (EGSM) : 33 dBm ± 2 dB
- Maximum output power (DCS/PCS) : 30 dBm ± 2 dB
- Minimum output power (EGSM): 5 dBm ± 5 dB
- Minimum output power (DCS/PCS): 0 dBm ± 5 dB
- H2 level : < -30 dBm
- H3 level : < -30 dBm
- Noise in 925 - 935 MHz : < -67 dBm
- Noise in 935 - 960 MHz : < -79 dBm
- Noise in 1805 - 1880 MHz : < -71 dBm
- Phase error at peak power : < 5 ° RMS
- Frequency error : ± 0.1 ppm max

**Comment [DAR39]:** Tom Hofstedt expects text results in by June 24th.

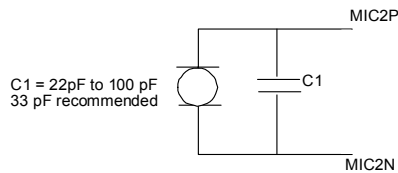
### RF Connection and Antenna

The RF connector on the SocketModem GPRS is a UFL standard type. See Chapter 1 for Antenna System details.

### Microphone Inputs

The MIC inputs are differential ones. They already include the convenient biasing for an electret microphone (0.5 mA and 2 Volts). This electret microphone can be directly connected on these inputs. The impedance of the microphone has to be around 2K. These inputs are the standard ones for a handset design.

The gain of the MIC inputs is internally adjusted. The gain can be tuned from 30dB to 51dB. The connection to the microphone is direct.





## Changing the Quad Band

The SocketModem Cell and the SocketModem iCell both support quad band frequencies (850/1900/900/1800 MHz). In reality, these products operate like dual, dual-band devices. In other words, they can be configured for 850/1900 or 900/1800 MHz. They do not auto-seek the local area frequency.

### Build Options

These wireless modems can be ordered with the default set to 850/1900 MHz or 900/1800 MHz.

- **850/1900 MHz** – The wireless modem defaulting to 850/1900 MHz is the default build option.
- **900/1800 MHz** – The wireless modem defaulting to 900/1800 MHz is identified with **-ED** in the product ordering number which signifies European default.

### Changing the GSM Band

If for any reason, such as moving the modem from one geographical area to another, you want to change the band, you can accomplish this by using the **+WMBS** AT Command.

### Steps for Changing the GSM Band

Use a terminal application such as HyperTerminal for entering the AT Command.

1. To open HyperTerminal, click **Start**. Then select **Programs > Accessories > Communications**. Then click **HyperTerminal**.
2. When the command window opens, type **AT+WMBS=<Band><Param>**. Press **Enter**.
  - For **<Band>**, enter the option you desire:
    - 4** = Dual-band mode 850/1900MHz
    - 5** = Dual-band mode 900/1800MHz
  - For **<Param>**, enter the option you desire:
    - 0** = Modem must be reset in order to use the specified band(s). This is the default.
    - 1** = Modem restarts immediately using the specified band(s).

**Example: AT+WMBS=4,0.** Press **Enter**.

## Global Positioning System (GPS)

### *Technical Specifications*

<b>Receiver Type</b>	L1 Frequency GPS C/A code SBAS Capable 51 Channel Acquisitions 14 Channel Tracking
<b>Accuracy</b>	Position 2.5m CEP Velocity 0.1m/sec Timing 300ns
<b>Open Sky TTFF</b>	Hot start 1 second Cold start 29 seconds average Reacquisition < 1s
<b>Sensitivity Tracking</b>	161dBm
<b>Update Rate</b>	1Hz standard
<b>Dynamics</b>	4G
<b>Operational Limits</b>	Altitude < 18,000m or Velocity < 515m/s
<b>Datum</b>	Default WGS-84
<b>Interface</b>	UART
<b>Protocol</b>	NMEA-0183 V3.01, GGA, GLL, GSA, GSV, RMC, VTG

### *Features*

- Tests 8 million time-frequency hypothesis per sec
- Open sky cold start – 29 second
- Signal detection better than -161dBm
- Reacquisition sensitivity – 155dBm
- Accuracy 2.5m CEP
- Multipath detection and suppression
- Supports active or passive antenna

### *Underwriters Laboratories Required Global Positioning System (GPS) Statement*

Note the following information required by Underwriters Laboratories:

Underwriters Laboratories, Inc. (“UL”) has not tested the performance or reliability of the Global Positioning System (“GPS”) hardware, operating software or other aspects of this product. UL has only tested for fire, shock or casualties as outlined in UL’s Standard(s) for Safety.UL60950-1 Certification does not cover the performance or reliability of the GPS hardware and GPS operating software. UL MAKES NO REPRESENTATIONS, WARRANTIES OR CERTIFICATIONS WHATSOEVER REGARDING THE PERFORMANCE OR RELIABILITY OF ANY GPS RELATED FUNCTIONS OF THIS PRODUCT.

# Chapter 3 – SocketModem® CDMA (MTSMC-C1)

## Introduction

The Multi-Tech SocketModem CDMA is a complete, ready-to-integrate, embedded wireless modem. Designed for global use, it offers standards-based multi-band CDMA200 1x performance. The SocketModem CDMA is based on industry-standard open interfaces and utilizes Multi-Tech’s universal socket design.

**Notes about Activation:**

- These units are shipped without network activation.
- To connect to the wireless network, you will have to establish a wireless account. See the Wireless Activation procedures in a separate document included with your Developer Kit and available on the Developer Kit CD.

## Product Build Options and Ordering Information

Product	Description	Region	Order this Product ✓
MTSMC-C1-N1	SocketModem 800/1900 MHz CDMA 1xRTT – Generic Random A-Key	Regional	
MTSMC-C1-N2	SocketModem 800/1900 MHz CDMA 1xRTT – Sprint (USA)	US	
MTSMC-C1-N3	SocketModem 800/1900 MHz CDMA 1xRTT – Verizon (USA)	US	
MTSMC-C1-N4	SocketModem 800 MHz CDMA 1xRTT with R-UIM	Regional	
MTSMC-C1-N9	SocketModem 800/1900 MHz CDMA 1xRTT – Generic Zero A-Key	Regional	
MTSMC-C1-N11	SocketModem 800/1900 MHz CDMA 1xRTT with R-UIM	Regional	
MTSMC-C1-N12	SocketModem 800/1900 MHz CDMA 1xRTT – Bell Mobility Canada	Canada	
MTSMC-C1-N14	SocketModem 800/1900 MHz CDMA 1xRTT – Alltel (USA)	US	
MTSMC-C1-N15	SocketModem 800/1900 MHz CDMA 1xRTT - Telus	Canada	
MTSMC-C1-N16	SocketModem 800/1900 MHz CDMA 1xRTT - Aeris	US	
<b>Developer Kit</b>			
MTSMI-UDK	Universal Developer Kit	Global	

**How to Read the Product Codes in the Table Above:**

- C1      CDMA
- N1      Generic Random A-Key. Requires provisioning. Must be programmed with Provisioning Information (PRI) and a Preferred Roaming List (PRL).
- N2      Sprint USA
- N3      Verizon USA
- N4      800 MHz with R-UIM
- N9      Generic Zero A-Key. Requires provisioning. Must be programmed with Provisioning Information (PRI) and a Preferred Roaming List (PRL).
- N11     800/1900 MHz with R-UIM
- N12     Bell Mobility Canada
- N14     Alltel USA
- N15     Telus Canada
- N16     Aeris US
- UDK     Universal Developer Kit

**Other Product Codes:**

The complete product code may end in .Rx. For example, MTSMC-C1-N3.Rx. “R” indicates product revision. “x” is the revision number.

## AT Commands Reference Guides

Products	AT Commands Reference Guide Title and Document Product Number	Fax Commands	Voice Commands
<b>SocketModem CDMA (MTSMC-C1)</b>	CDMA AT Commands Reference Guide (S000294x)	NA	included in S000294x

## Technical Specifications

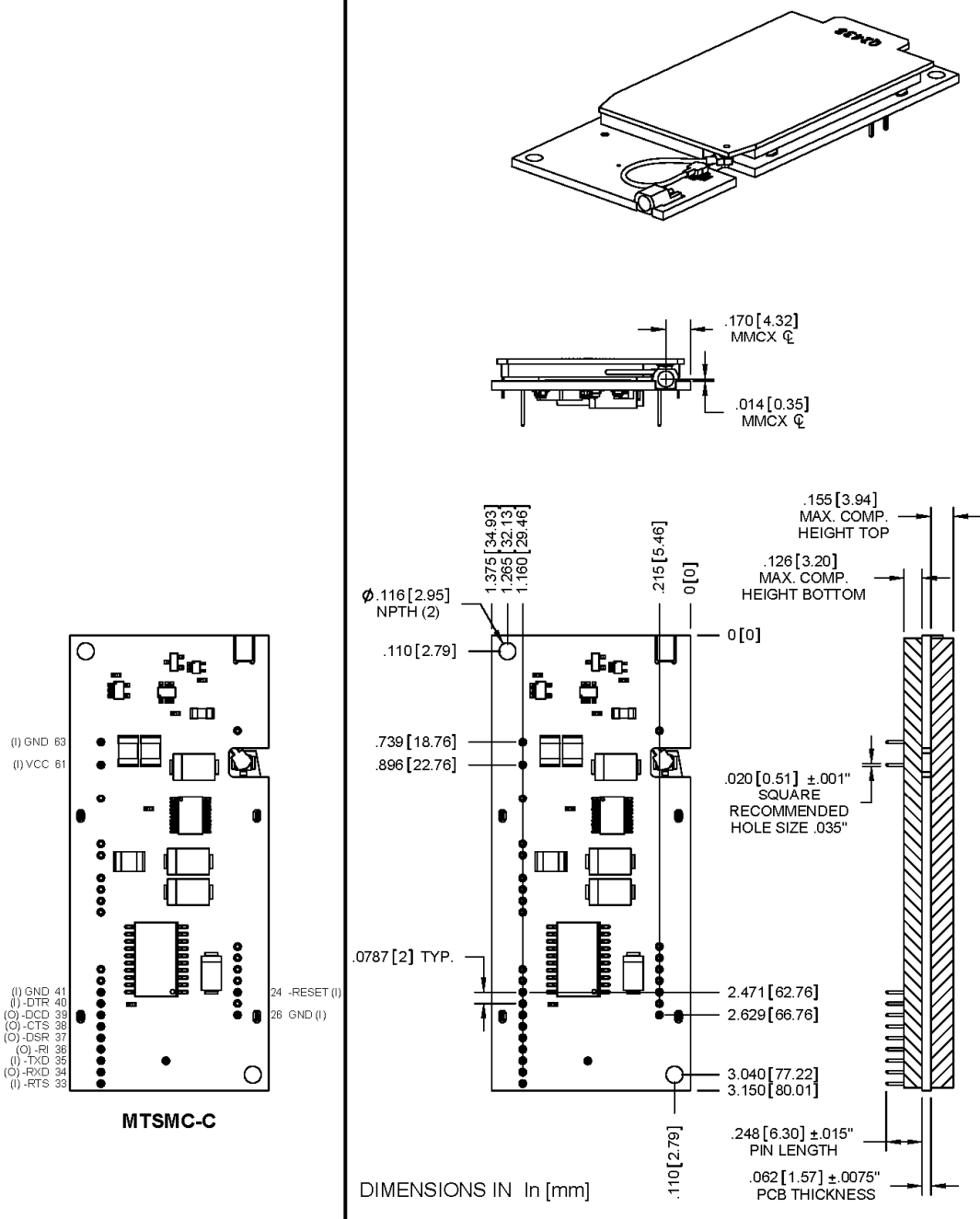
The SocketModem CDMA (MTSMC-C1) meets the following specifications:

Category	Description
<b>Standard</b>	CDMA2000 1xRTT
<b>Frequency Bands</b>	Dual-band 800/1900 MHz CDMA
<b>Serial/Data Speed</b>	Serial interface supporting DTE speeds to 230K Packet data up to 153.6K bps forward and reverse channels Circuit-switched data up to 14.4K bps
<b>Data Format</b>	Asynchronous, transparent and non-transparent
<b>Weight</b>	1.2 oz. (34 g)
<b>Operating Temperature</b>	-30° to +70° C
<b>Storage Temperature</b>	-40° to +85° C
<b>Humidity</b>	20% to 90% (non-condensing)
<b>Operating Voltage</b>	5VDC
<b>Power Measurements</b>	<b>5V:</b> Typical: 400mA; Maximum: 700mA
<b>Connectors</b>	Antenna: MMCX R-UIM: Standard 3V R-UIM receptacle (For China only, 5V R-UIM)
<b>Certifications &amp; Approvals</b>	<p><b>Safety Certifications</b></p> <ul style="list-style-type: none"> <li>UL 60950</li> <li>cUL 60950</li> <li>EN 60950</li> <li>AS/NZS 60950:2000</li> </ul> <p><b>EMC Approvals</b></p> <ul style="list-style-type: none"> <li>FCC Part 2, 15, 22, 24</li> <li>EN 55022</li> </ul> <p><b>Network</b></p> <ul style="list-style-type: none"> <li>CDG 1 &amp; 2</li> </ul>
<b>Warranty</b>	2 years
<b>Features</b>	<p>Short Message Services (SMS):</p> <ul style="list-style-type: none"> <li>Mobile originated; Mobile terminated</li> <li>Cell broadcast</li> <li>Over the Air Activation (OTA)</li> <li>OTASP; OTAPA</li> </ul> <p>SMS Features: Text &amp; PDU, Point-to-Point, cell broadcast</p> <p>TCP/IP stack</p> <p>AT command compatible</p> <p>Management Features:</p> <ul style="list-style-type: none"> <li>Phone book management</li> <li>Fixed dialing number</li> <li>Real time clock</li> <li>Alarm management</li> </ul> <p>Supports AMR (Adaptive Multi Rate) voice coder</p> <p>Supports Cellular Text Telephone Modem</p>



**Mechanical Drawings – Basic Build**

Comment [DAR40]: Vault Data #315 8/26/09



## DC Electrical Characteristics

5VDC Characteristics (VDD = 5V ± 0.2V) VDDMAX = 5.25V			
<b>Digital Inputs</b> -DTR (40), -TXD (35), -RTS (33)	<b>Input High</b> Min 2.0V	<b>Input Low</b> Max 0.8V	
<b>-RESET</b>	<b>Input High</b> Min 2.0V	<b>Input Low</b> Max 0.5V	
<b>Digital Outputs</b> -DCD (39), -CTS (38), -DSR (37), -RI (36), -RXD (34)	<b>Output High</b> Min 4V	<b>Output Low</b> Max 0.4V	<b>Current Drive:</b> 2mA
<b>Digital Input Capacitance</b>			<b>5 pF</b>

## Power Measurements\*

Operating Mode	Band	Average (mA)
CDMA RXTX	Cellular	615
Full Power	PCS	770
CMA RXTX	Cellular	340
Average Power	PCS	445
CDMA Standby	Cellular	20
	PCS	20

\* Multi-Tech Systems, Inc. recommends that the customer incorporate a 10% buffer into their power source when determining product load.

## Application Notes

### *Flashing LED Interface*

The flashing LED signal is used to indicate the working mode of the SocketModem.

#### LED and SocketModem Status

Signal	SocketModem Status	
OFF	Download mode or switched OFF>	
ON	Continuously lit	Switched ON (not registered on the network)
	Flashing	Switched ON (registered on the network)

### *RF Interface*

#### Radio Characteristics

	CDMA 800	CDMA 1900
Frequency RX	869 to 894 MHz	1930 to 1990 MHz
Frequency TX	824 to 849 MHz	1850 to 1910 MHz
Impedance	50 ohms	
VSWR	<2	
Typical Radiated Gain	0 dBi in at least one direction	
Output Power	.63W in AMPS .35W in CDMA	

### *RF Connection and Antenna*

The RF connector on the SocketModem is an MMCX standard type. See Chapter 1 for Antenna System details.



## Provisioning a Generic SocketModem CDMA

### The Difference between a Pre-Provisioned SocketModem CDMA and a Generic SocketModem CDMA

#### Pre-Provisioned SocketModem CDMA

Multi-Tech offers several pre-provisioned SocketModem CDMA units (see the *Product Ordering Information* table at the beginning of this chapter). Pre-provisioned SocketModem CDMA builds are pre-programmed to operate only on a designated CDMA carrier's network; for example, the *MTSMC-C1-N2* is pre-programmed (provisioned) for use on the Sprint network in the USA.

#### Generic SocketModem CDMA

Multi-Tech also offers two generic SocketModem CDMA models, the *MTSMC-C1-N1 (Random A-Key)* and *MTSMC-C1-N9 (Zero A-Key)*. These generic SocketModems are not pre-programmed to operate on any designated CDMA carrier's network.

### Overview of the Provisioning Process

#### Requirements

- A generic SocketModem CDMA-C1-N1 or -N9.
- **AT Commands Reference Guide for the SocketModem CDMA.**
- A developer software tool called **WPST**.

#### Procedures

**Step 1.** Get the PRI and PRL from your wireless carrier.

**Step 2.** Set the provisioning commands, which are described in the **AT Commands Reference Guide for the SocketModem CDMA**, Chapter 16, using the provisioning information provided by the CDMA wireless network carrier.

**Step 3.** Using the WPST tool, download the carrier's specific PRI (Provisioning Information) and PRL (Preferred Roaming List) into the SocketModem CDMA.

The wireless modem is now provisioned and can be activated on your wireless carrier's network, according to the carrier's activation instructions.

See the Activation directions that accompany Multi-Tech wireless modems.

### Provisioning Terminology

#### A-Key

The A-Key is a 64-bit cryptographic key variable stored in the semi-permanent memory of the mobile station and also known to the Authentication Center of the wireless carrier's system. The generation of the A-Key is the responsibility of the wireless service provider. It is established and entered when the mobile station is first put into service.

The CDMA network carrier you choose for you SocketModem CDMA product will let you know whether it uses the Random A-Key or the Zero A-Key in its authentication process. That will determine whether you purchase the -N1 or the -N9 build.

#### Provisioning

Provisioning is the programming of a SocketModem CDMA wireless modem to set the **PRI** and **PRL** provided by wireless network carrier that you have chosen as your CDMA wireless network carrier. After the modem is provisioned, it can then be activated on the wireless network for which it is provisioned. Multi-Tech provides two SocketModems CDMA builds that are not pre-provisioned: *MTSMC-C1-N1* and *MTCAB-C1-N9*.

**PRI** stands for Provisioning Information. Provisioning Information is your wireless network carrier's profile of parameter settings that must be programmed into your wireless modem in order for it to operate on the carrier's wireless network.

**PRL** stands for Preferred Roaming List. The PRL is a list of the wireless network service provider's preferred roaming partners. This list is downloaded from your network service provider during the provisioning process.

## CDMA Terminology and Acronyms

This is an alphabetical list of the CDMA cellular industry's terminology and acronyms.

<b>2G</b>	<b>Second Generation.</b> This is an all digital cellular systems developed to replace the first analog cellular systems. (GSM and CDMA).
<b>3G</b>	<b>Third Generation.</b> This is the next generation digital cellular systems designed to have high-speed data access and higher voice capacity (CDMA & CDMA2000).
<b>CBM</b>	<b>Cell Broadcast Message.</b> This is an SMS message that is broadcast to all mobiles on the network.
<b>CDMA</b>	<b>CDMA (Code Division Multiple Access).</b> CDMA is a spread spectrum, digital wireless modulation scheme for cellular communications systems. It has approximately 3 times the voice capacity of GSM networks. See IS-95, IS-95B, IS-2000.
<b>cdmaONE</b>	<b>cdmaOne</b> is a brand name, trademarked and reserved for the exclusive use of the CDMA Development Group (see their Web site at cdg.org). cdmaOne describes a complete wireless system that incorporates the IS-95 CDMA air interface, the ANSI-41 network standard for switch interconnection and many other standards that make up a complete wireless system.
<b>cdma2000</b>	<b>cdma2000</b> is a third generation (3G) wireless system. It contains a significant increase in voice capacity and high-speed data rates. It is backward compatible with IS-95B and IS-95A.
<b>cdma2000 1xRTT</b>	"1xRTT" stands for 1 times Radio Transmission Technology and is used to identify the version of CDMA2000 radio technology that operates in a pair of 1.25-MHz radio channels (one times 1.25 MHz, as opposed to three times 1.25 MHz in 3xRTT). Although theoretically capable of higher data rates, most carrier implementations have limited the peak data rate to 144 kbit/s. While 1xRTT officially qualifies as 3G technology, 1xRTT is considered by some to be a 2.5G.
<b>ESN</b>	"ESN" stands for Electronic Serial Number. It is a 32-bit binary number that identifies each cellular phone.
<b>Handset (Path)</b>	<b>Handset (Path).</b> This is the audio path (microphone & speaker) that connects to a traditional hand held telephone receiver, usually dual balanced electrical lines.
<b>Headset (Path)</b>	<b>Headset (Path).</b> This is the audio path (microphone & speaker) that connects to an earpiece with a microphone, usually single electrical lines.
<b>IMSI</b>	<b>International Mobile Station IS.</b> This is an international 15 digital phone number that uniquely identifies a mobile. IMSI=MCC + MNC + MIN.
<b>IOTA</b>	<b>IOTA</b> stands for Internet Over The Air.
<b>IS-95</b>	<b>IS-95</b> is the first CDMA standard published by Qualcomm in 1993. It is a TIA standard for North American cellular systems based on CDMA. It is widely deployed in North America and Asia.
<b>IS-95A</b>	<b>IS-95A</b> is a CDMA standard with improved voice quality. IS-95A defines what generally is known as cdmaOne, which supports voice and 14.4 Kbps data rates. This standard is widely used throughout the world.
<b>IS-95B</b>	<b>IS-95B</b> is a CDMA standard contains Medium Data Rate capabilities and bug fixes for system access failures. It is considered a 2.5G system. It supports data rates up to 115 Kbps.
<b>IS-2000</b>	<b>IS-2000</b> is the first 3G CDMA standard based on IS-95B. It contains a significant increase in voice capacity and high-speed data rates. It is backward compatible with IS-95B and IS-95A.
<b>IS-707</b>	<b>TI/EIA/IS-707</b> describes data services available on wideband spread spectrum systems. It is organized into a series of related recommendations, some of which address functions common to all CDMA data services and others that describe a specific data service.
<b>MCC</b>	<b>Mobile Country Code</b> is a pre-defined 30-digital number that represents a country in the IMSI.
<b>MDN</b>	<b>MDN</b> stands for Mobile Data Number or the mobile phone number.
<b>MIN</b>	<b>MIN</b> stands for Mobile Identification Number or mobile user account number.
<b>MNC</b>	<b>MNC</b> stands for Mobile Network Code, a pre-defined 2-digital number that represents a sub-network in the IMSI (usually set to "00").
<b>MO</b>	<b>MO</b> stands for Mobile Originated, an action (usually a call) that is first started from the phone. An outgoing call or SMS.
<b>MS</b>	<b>MS</b> stands for Mobile Station. The term MS is commonly used to represent the phone or mobile.
<b>MT</b>	<b>MT</b> stands for Mobile Terminated. MT is an action, usually a call that is first started from a land based network. An incoming call or SMS.
<b>MSM</b>	<b>MSM</b> stands for Mobile Station Modem.
<b>NAM</b>	<b>NAM</b> stands for Number Assignment Modem. The NAM is collection of internal parameters that define a working phone for a given network (phone number, access parameters, etc.).
<b>NID</b>	<b>NID</b> stands for Network ID. The NID is an identification number that represents geographic location of a common coverage area; but is a subset of the SID, usually a neighborhood in a large city. NID is usually not used and is set to zero. Also see SID.
<b>NV-RAM</b>	<b>NV-RAM</b> stands for Non-Volatile Random Access Memory. NV-RAM is a data storage device that does not lose its data when power is turned off.

<b>OTAPA</b>	<b>OTAPA</b> stands for Over The Air Parameter Administration. It is an automatic update in internal software parameters (PRL for example) by means of a specially defined CDMA data call that is mobile terminated (MT).
<b>OTASP</b>	<b>OTASP</b> stands for Over The Air Service Programming. It is an automatic update in internal software parameters PRL; for example, PRL by means of a specially defined CDMA data call that is mobile terminated (MT).
<b>P-REV</b>	<b>P-REV</b> is the CDMA revision of the mobile or base station.
<b>PDU</b>	<b>PDU</b> stands for Protocol Data Unit. It is a GSM SMS standard whereby any type of binary data can be transported via an SMS message. In the CDMA system, the PDU mode will not be supported; instead, the Unicode format message is supported.
<b>PN Offset</b>	<b>PN Offset</b> stands for Pseudorandom Noise Offset. In a CDMA network the PN offset is a variable time delay offset of a repeating random noise generator that is used to distinguish individual sectors of a base station.
<b>PRI</b>	<b>PRI</b> stands for Provisioning Information. Provisioning Information is your wireless network carrier's profile of information that must be programmed into your wireless modem in order for it to operate on the carrier's wireless network.
<b>PRL</b>	<b>PRL</b> stands for Preferred Roaming List. The Roaming List is provided by the wireless network carrier during the process of provisioning your SocketModem. The PRL is a list of wireless service provider's preferred roaming partners.
<b>PSTN</b>	<b>PSTN</b> stands for Public Switching Telephone Network. It is the traditional telephone network.
<b>RF</b>	<b>RF</b> stands for Radio Frequency.
<b>RSSI</b>	<b>RSSI</b> stands for Receive Signal Strength Indicator: This parameter represents the total RF received signal power from the base station(s) the mobile sees.
<b>R-UIM</b>	<b>R-UIM</b> stands for Removable User Identity SocketModem. The R-UIM is similar to a SIM (Subscriber Identity SocketModem), but it is designed for networks other than GSM (Global System for Mobile Telecommunications); i.e., networks such as CDMA.  The R-UIM card contains user information and data features on a removable smart card about the size of a postage stamp. It is a dual-mode solution that can store both GSM provisioning and CDMA provisioning on a single card. When used with a GSM handset, the R-UIM operates like a GSM SIM.
<b>SID</b>	<b>SID</b> stands for System ID. The SID is an identification number that represents geographic locations of a common coverage area, usually a large city. Also see NID.
<b>SIM</b>	<b>SIM</b> stands for Subscriber Identity SocketModem. A SIM card is a portable memory chip. The SIM holds personal identity information, cell phone number, phone book, text messages and other data.
<b>SMS</b>	<b>SMS</b> stands for Short Messaging Service. it is a supplementary service that is capable of sending and receiving short length text messages to/from the mobile.
<b>TA/TE</b>	<b>TA/TE</b> stands for Terminal Application/Terminal Equipment. This is the end "device" (combination of hardware and software) that communicates with a modem via a serial link. In this context, it is the device (PDA/Computer) connected to the modem. Also see DTE.

# Chapter 4 – SocketModem® EDGE (MTSMC-E1)

## Introduction

The Multi-Tech SocketModem EDGE embedded wireless modem delivers some of the fastest cellular data speeds by utilizing EDGE technology. It allows users to connect to the Internet and send and receive data up to three times faster than possible with an ordinary GSM/GPRS network making it ideal for highly data-intensive applications. Based on industry-standard open interfaces, the SocketModem EDGE wireless modem is equipped with quad-band GSM, which means it can be used worldwide on all existing GSM networks.

## Product Build Options and Ordering Information

Product	Description	Region	Order This Product ✓
MTSMC-E1	SocketModem Quad Band EDGE Class 12 – 5V	Global	
MTSMC-E1-V	SocketModem Quad Band EDGE Class 12 w/Voice – 5V	Global	
MTSMI-UDK	Universal Developer Kit	Global	

**How to Read the Product Codes in the Table Above:**

- E1      EDGE
- V        Voice
- UDK     Universal Developer Kit

**Other Product Codes:**

The complete product code may end in .Rx. For example, MTSMC-E1.Rx  
 “R” indicates product revision. “x” is the revision number.

## AT Commands Reference Guide

Product	Reference Guides Title and Document Product Number	Fax Commands	Voice Commands
SocketModem EDGE (MTSMC-E and E1)	SocketModem EDGE AT Commands Reference Guide (S000371x)	NA	Included in S000371x

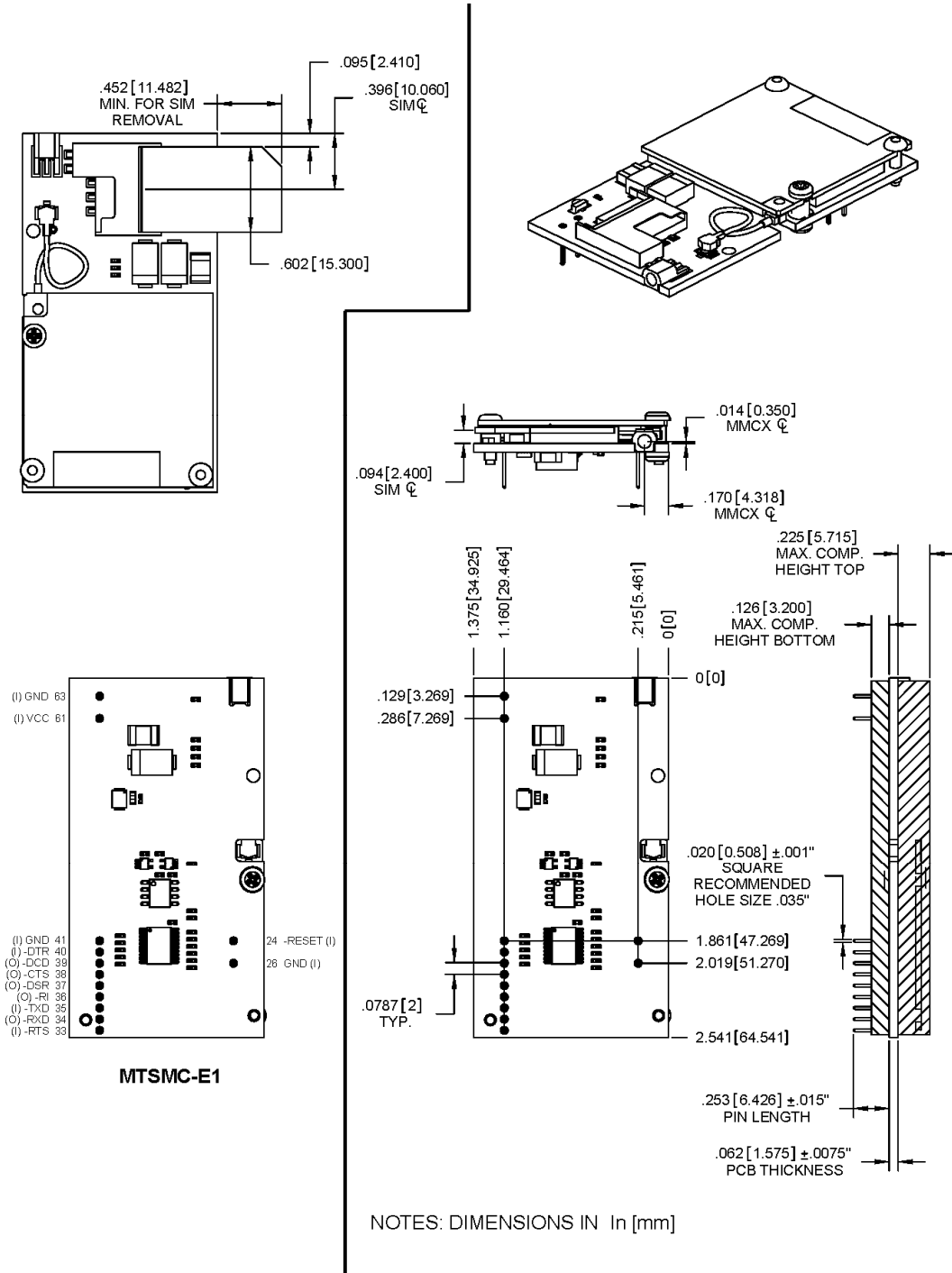
## Technical Specifications

The SocketModem EDGE (MTSMC- E1) wireless modem meets the following specifications:

Category	Description
<b>Standards</b>	<b>EDGE:</b> E-GPRS Class 12 <b>GPRS:</b> GPRS Class 12
<b>Data Speed</b>	Packet Data rates up to 240K bps (modulation & coding scheme, MCS 1-9, Mobile station Class B) Circuit-switched data up to 14.4 kbps non-transparent mode, asynchronous
<b>Serial Speed</b>	Serial interface supporting DTE speeds to 460K bps
<b>Band Frequency</b>	Quad-band 850/900/1800/1900 MHz
<b>Connectors</b>	Antenna: MMCX SIM: Standard 1.8V or 3V SIM receptacle
<b>IP Protocols Supported</b>	TCP, UDP, DNS, FTP, SMTP, POP3, HTTP
<b>Operating Voltage</b>	5VDC
<b>Operating Temperature</b>	-30° to +70° C
<b>Storage Environment</b>	-40° to +85° C
<b>Humidity</b>	20% to 90% non-condensing
<b>Physical Dimensions</b>	2.541" L x 1.375" W 64.541mm L x 34.92 mm W For maximum component heights top and bottom, see the Mechanical Drawings on the next two pages.
<b>Weight</b>	1 oz. (0.028 kg.)
<b>Compliance</b>	<b>EMC Compliance</b> FCC Part 2, 15, 22, 24 EN 55022 EN 55024 <b>Radio Compliance</b> FCC Part 22 FCC Part 24 RSS 132 RSS 133 EN 301 511 EN 301 489-1 EN 301 489-7 AS/ACIF S042.1 AS/ACIF S042.3 <b>Safety Compliance</b> UL 60950-1 cUL 60950-1 IEC 60950-1 AS/NZS 60950:2000 <b>Network Compliance</b> PTCRB
<b>Warranty</b>	2 years
<b>Intelligent Features</b>	SMS – Text & PDU, Point-to-Point, cell broadcast AT Command Compatible Voice features include Half Rate (HR), Full Rate (FR), Enhanced Full Rate (EFR), Adaptive multi rate (AMR), as well as hands free echo cancellation, and noise reduction Embedded TCP/IP protocol stack brings Internet connectivity

## Mechanical Drawings - Basic Build

Comment [DAR41]: Vault Data for E1 is #372 8/26/09

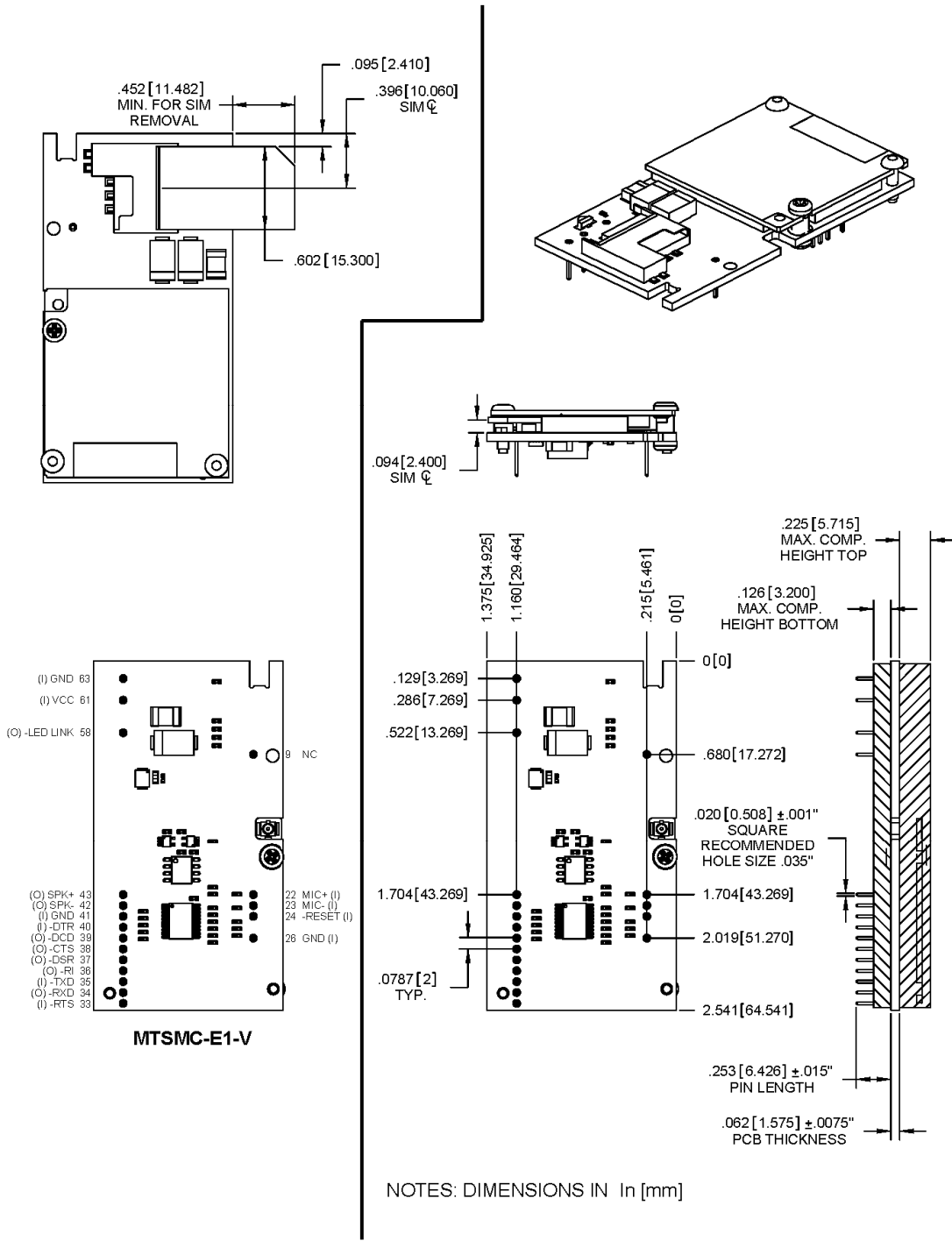


## Mechanical Drawings - Voice

### Build

Comment [DAR42]: Vault Data for E1 Voice is #372 8/26/09





## DC Electrical Characteristics

Comment [DAR43]: New from Dustin 8/31/09 for E1

### Operating Conditions

5 Volts

Parameter	Minimum	Maximum
Supply Range - Vcc	4.75	5.25

### Absolute Maximum Rating

Parameter	Minimum	Maximum
Voltage at Any Signal Pin	0	5

### DC Electrical Characteristics

Parameter	Units (Volts)	
	Minimum	Maximum
Digital Signal Input Low Level	0	0.8
Digital Signal Input High Level	2	5
Digital Signal Output Low Level	0	0.33
Digital Signal Output High Level	3.84	5
Reset (Low Active) Input Low	0	1.14
Reset (Low Active) Input High	2.7	5
Digital Input Capacitance	10pF	

## Power Measurements

### MTSMC-E1 and MTSMC-E1-V Measured Power\* at Input Voltage 5.00

	Sleep	Typical	Maximum	Peak
Current (AMPS)	0.010	0.128	0.675	1.500
Watts	0.050	0.64	3.2	

\* Multi-Tech Systems, Inc. recommends that the customer incorporate a 10% buffer into their power source when determining product load.

<b>INPUT VOLT</b>
Current (AMPS)
Watts

Comment [DAR44]: These measurements apply to both the MTSMC-E1 and MTSMC-E1-V since the only difference is the voice pins. From Jerome 9/8/09

## Application Notes

### RF Performances

RF performances are compliant with the ETSI recommendation 05.05 and 11.10. The main parameters are:

#### Receiver Features

- EGSM Sensitivity : < -108 dBm
- GSM 1800/GSM 1900 Sensitivity : < -107 dBm
- Selectivity @ 200 kHz : > +9 dBc
- Selectivity @ 400 kHz : > +41 dBc
- Dynamic range : 62 dB
- Intermodulation : > -43 dBm
- Co-channel rejection : + 9 dBc

#### Transmitter Features

- Maximum output power (EGSM) : 24 dBm +/- 2 dB
- Maximum output power (DCS/PCS) : 30 dBm +/- 2 dB
- Minimum output power (EGSM): 5 dBm +/- 5 dB
- Minimum output power (DCS/PCS): 0 dBm +/- 5 dB
- H2 level : < -30 dBm
- H3 level : < -30 dBm
- Noise in 925 - 935 MHz : < -67 dBm
- Noise in 935 - 960 MHz : < -79 dBm
- Noise in 1805 - 1880 MHz : < -71 dBm
- Phase error at peak power : < 5 ° RMS
- Frequency error : +/- 0.1 ppm max

### RF Connection and Antenna

The RF connector on the SocketModem is an MMCX standard type. See Chapter 1 for Antenna System details.

### Audio Interface – Electrical Characteristics

#### Speaker Output

Differential speaker output capable of driving 8 ohm load. 1.0945 Vpp (differential) typical.

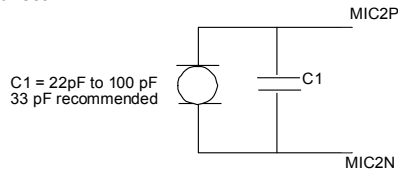
#### Microphone Input

Balanced microphone input: full scale input 1.1 Vpp.

#### Microphone Inputs

The MIC inputs are differential ones. They already include the convenient biasing for an electret microphone (0,5 mA and 2 Volts). This electret microphone can be directly connected on these inputs. The impedance of the microphone has to be around 2K. These inputs are the standard ones for a handset design.

The gain of the MIC inputs is internally adjusted. The gain can be tuned from 30dB to 51dB. The connection to the microphone is direct.



# Chapter 5 – SocketModem® HSDPA (MTSMC-H)

## Introduction

The Multi-Tech SocketModem HSDPA embedded wireless modem delivers some of the fastest cellular data speeds by utilizing HSDPA technology. It allows users to connect to the Internet and send and receive data faster than possible with an ordinary GSM/GPRS network making it ideal for highly data-intensive applications. Based on industry-standard open interfaces, the SocketModem wireless modem is equipped with quad-band, high-speed RS232 technology, which means it can be used worldwide on all existing GSM networks. In addition, it utilizes Multi-Tech's universal socket design.

## Product Build Options and Ordering Information

Product	Description	Region	Order This Product ✓
MTSMC-H	SocketModem Tri Band HSPDA Serial Modem – 5V	Global	
MTSMC-H-U	SocketModem Tri Band HSPDA USB Modem – 5V	Global	
MTSMI-UDK	Universal Developer Kit	Global	

### How to Read the Product Codes in the Table Above:

H	HSDPA (High-Speed Downlink Packet Access)
U	USB
UDK	Universal Developer Kit

### Other Product Codes:

The complete product code may end in **.Rx**. For example, MTSMC-H.Rx.  
 "R" indicates product revision. "x" is the revision number.

## AT Commands Reference Guide

Product	Reference Guides Title and Document Product Number	Fax Commands	Voice Commands
SocketModem HSDPA (MTSMC-H)	SocketModem HSDPA AT Commands Reference Guide (S000453x)	NA	NA

## Technical Specifications

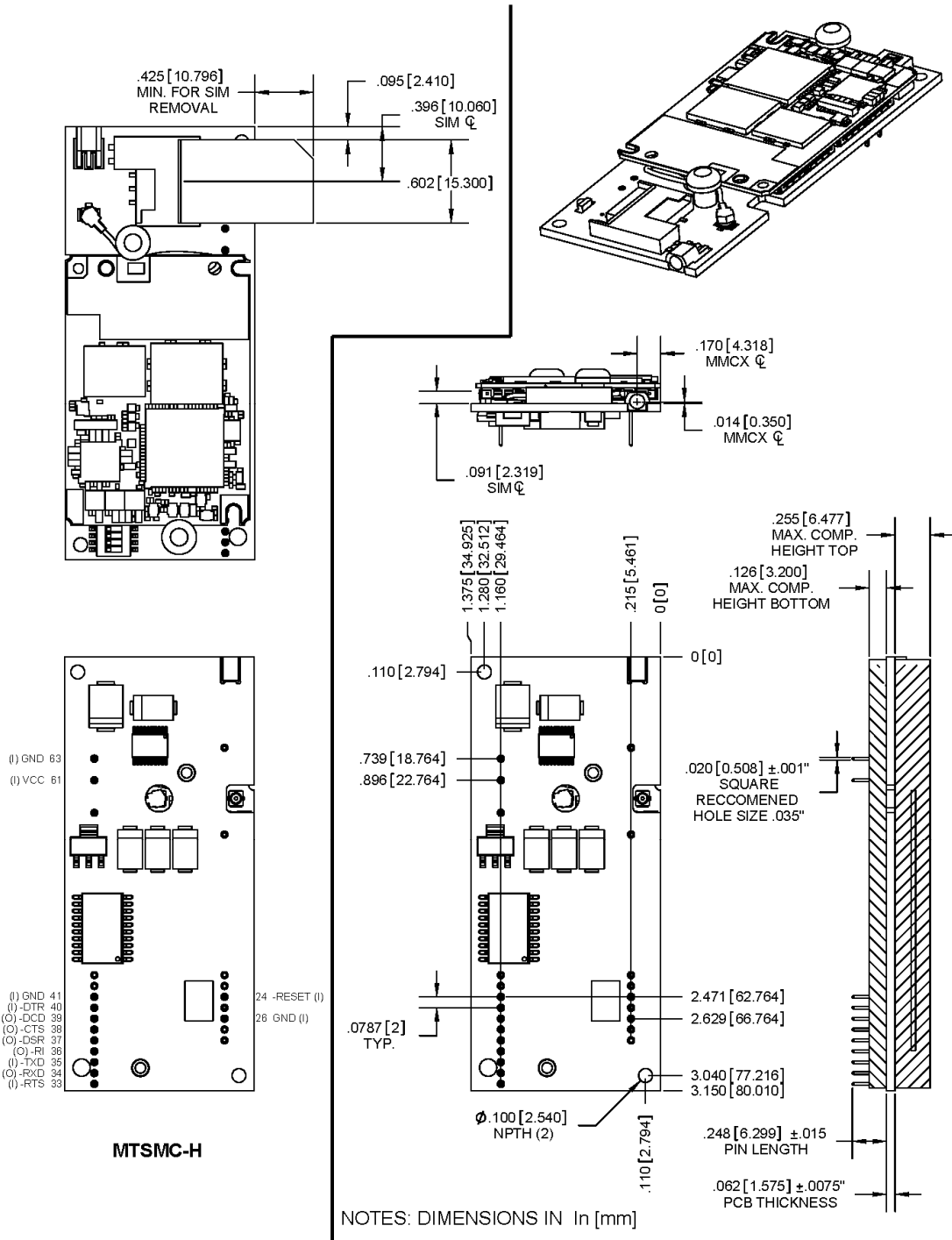
The SocketModem HSDPA (MTSMC- H) wireless modem meets the following specifications:

Category	Description
<b>General</b>	
<b>Frequency Bands</b>	<ul style="list-style-type: none"> <li>• UMTS/HSDPA: Triple band, 850/1900/2100MHz</li> <li>• GSM/GPRS/EDGE: Quad band, 850/900/1800/1900MHz</li> </ul>
<b>GSM Class</b>	Small MS
<b>Output power (according to Release 99)</b>	Class 4 (+33dBm ±2dB) for EGSM850 Class 4 (+33dBm ±2dB) for EGSM900 Class 1 (+30dBm ±2dB) for GSM1800 Class 1 (+30dBm ±2dB) for GSM1900 Class E2 (+27dBm ± 3dB) for GSM 850 8-PSK Class E2 (+27dBm ± 3dB) for GSM 900 8-PSK Class E2 (+26dBm +3 /-4dB) for GSM 1800 8-PSK Class E2 (+26dBm +3 /-4dB) for GSM 1900 8-PSK Class 3 (+24dBm +1/-3dB) for UMTS 2100, WCDMA FDD Bdl Class 3 (+24dBm +1/-3dB) for UMTS 1900,WCDMA FDD Bdl Class 3 (+24dBm +1/-3dB) for UMTS 850, WCDMA FDD Bdv
<b>Power Supply</b>	5VDC ± 10%
<b>Physical Description</b>	3.1" L x 1.4" W x 0.5" H; 1 oz. (7.8 cm x 3.5 cm x 1.2 cm; 28 g)
<b>HSDPA Features</b>	
<b>3GPP Release 5</b>	3.6 Mbps, UL 384 kbps UE CAT. [1-6], 11, 12 supported Compressed mode (CM) supported according to 3GPP TS25.212
<b>UMTS Features</b>	
<b>3GPP Release 4</b>	PS data rate – 384 kbps DL / 384 kbps UL CS data rate – 64 kbps DL / 64 kbps UL
<b>GSM / GPRS / EGPRS Features</b>	
<b>Data Transfer</b>	<b>GPRS</b> <ul style="list-style-type: none"> <li>• Multislot Class 10</li> <li>• Full PBCCH support</li> <li>• Mobile Station Class B</li> <li>• Coding Scheme 1 – 4</li> </ul> <b>EGPRS</b> <ul style="list-style-type: none"> <li>• EDGE E2 power class for 8 PSK</li> <li>• Downlink coding schemes – CS 1-4, MCS 1-9</li> <li>• Uplink coding schemes – CS 1-4, MCS 1-9</li> <li>• BEP reporting</li> <li>• SRB loopback and test mode B</li> <li>• 8-bit, 11-bit RACH</li> <li>• PBCCH support</li> <li>• 1 phase/2 phase access procedures</li> <li>• Link adaptation and IR</li> <li>• NACC, extended UL TBF</li> <li>• Mobile Station Class B</li> </ul> <b>CSD</b> <ul style="list-style-type: none"> <li>• V.110, RLP, non-transparent</li> <li>• 9.6 kbps</li> </ul>
<b>SMS</b>	Point-to-point MT and MO Cell broadcast Text and PDU mode
<b>Software</b>	
<b>AT Commands</b>	AT GSM 07.05 and 07.07, Siemens AT commands for RIL compatibility (NDIS/RIL)
<b>Microsoft® Compatibility</b>	RIL / NDIS for Windows Mobile®
<b>SIM Application Toolkit</b>	SAT Class C
<b>Firmware Update</b>	Firmware update from host application over USB and ASC0

Category	Description
<b>Interfaces</b>	
<b>USB</b>	USB 2.0 full speed (12Mbit/s) CDC ACM compliant NDIS driver included (XP only)
<b>Serial Modem Interface</b>	8-wire modem interface with status and control lines, unbalanced, asynchronous.
<b>UICC Interface</b>	Supported chip cards: SIM / UICC 3V, 1.8V
<b>Connectors</b>	Antenna: MMCX SIM: Standard 3V SIM receptacle
<b>SocketModem Interface</b>	Socket pins
<b>Operating Environment</b>	
<b>Operating Temperatures</b>	Min -30 °C      Typ +25 °C      Max +60 °C
<b>Storage Environment</b>	-40° to +85° C
<b>Humidity</b>	20% to 90% non-condensing
<b>Certifications, Approvals, Directives, Warranty</b>	
<b>Certifications &amp; Approvals</b>	<b>Certifications:</b> CE Mark, R&TTE <b>Safety Certifications:</b> UL 60950-1 EN 60950-1 <b>EMC Approvals:</b> FCC Part 22, 24 EN 301 489-1 EN 301 489-7 RSS 132, 133 <b>Network:</b> PTCRB
<b>RoHS</b>	All hardware components fully compliant with EU RoHS Directive
<b>Warranty</b>	2 years

## Mechanical Drawings – Basic Build

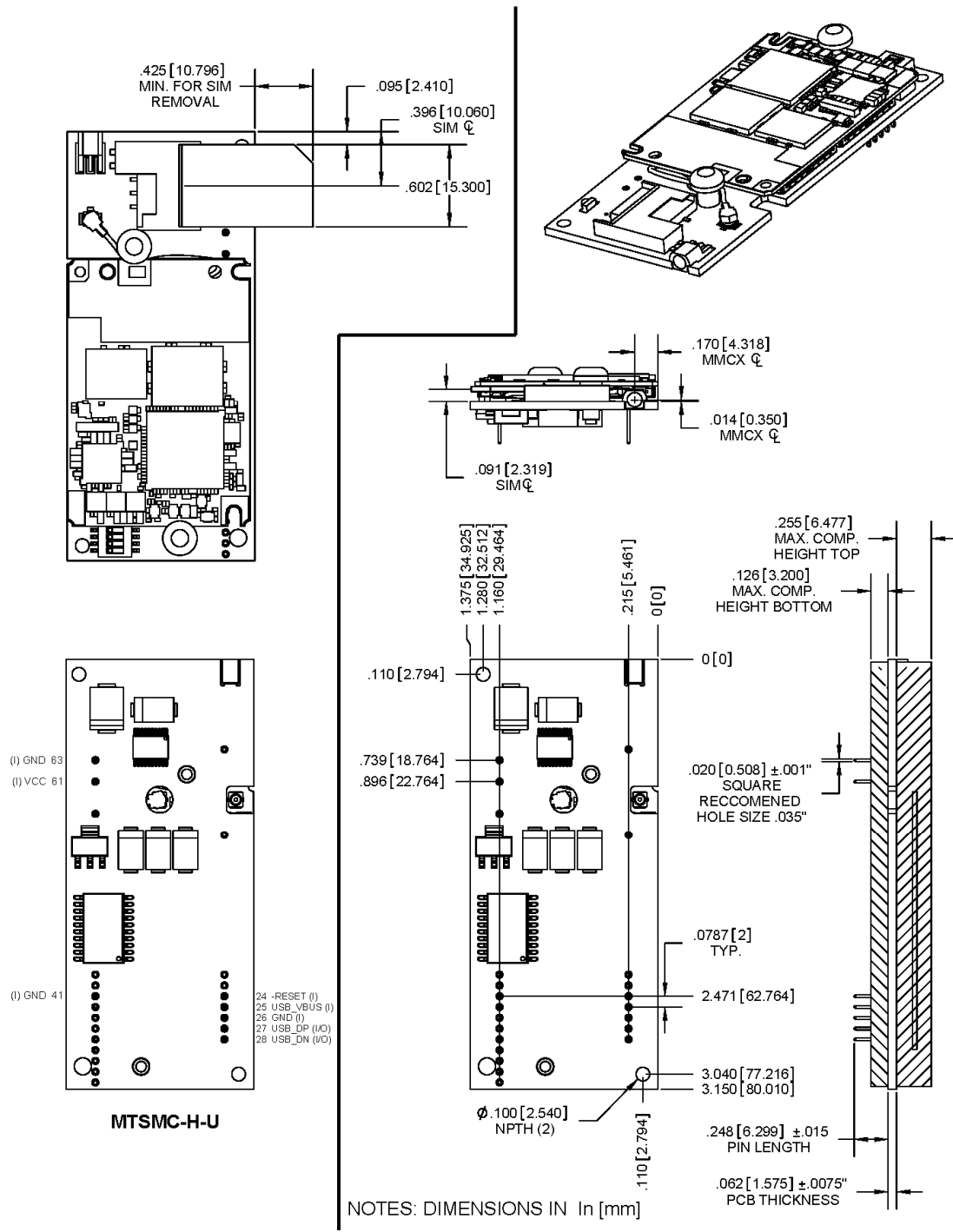
Comment [DAR45]: Vault Data  
#319 for basic build 8/26/09



Comment [DAR46]: Vault Data #319 for USB 8/26/09



# Mechanical Drawings – USB Build



## DC Electrical Characteristics

### I/O DC Characteristics

5VDC Characteristics (VDD = 5V ± 0.25V) VDDMAX = 5.25V

<b>Digital Inputs</b> –DTR (40), –TXD (35), –RTS (33) –RESET	<b>Input High</b> Min 2.0V	<b>Input Low</b> Max 0.8V	
	<b>Input High</b> Min 2.6V	<b>Input Low</b> Max 1.0V	
<b>Digital Outputs</b> –DCD (39), –CTS (38), –DSR (37), –RI (36), –RXD (34)	<b>Output High</b> Min 4V	<b>Output Low</b> Max 0.4V	<b>Current Drive</b> 2mA
<b>Digital Input Capacitance</b>			<b>5 pF</b>

### Power Measurements\*

#### Data Mode Power Consumption

##### GPRS Power Consumption in EGSM/GPRS 900 MHz and GSM/GRPS 850 MHz

Voltage	Conditions	I <sub>NOM</sub>	I <sub>MAX</sub>
+5V	During TX bursts @ 2W	1.8 A	2.9 A
+5V	Average Class 8	375mA	
+5V	Average Class 10	540mA	
+5V	Average idle mode	40mA	

##### GPRS Power Consumption in GSM/GRPS 1800 MHz and GSM/GRPS 1900 MHz

Voltage	Conditions	I <sub>NOM</sub>	I <sub>MAX</sub>
+5V	During TX bursts @ 1W	1.5 A	2.1 A
+5V	Average Class 8	325mA	
+5V	Average Class 10	430mA	
+5V	Average idle mode	40mA	

##### EGRPS Power Consumption in EGRPS 900 MHz and EGRPS 850 MHz

Voltage	Conditions	I <sub>NOM</sub>	I <sub>MAX</sub>
+5V	During TX bursts @ 2W	1.8 A	2.9 A
+5V	Average Class 8	315mA	
+5V	Average Class 10	410mA	
+5V	Average idle mode	40mA	

##### EGRPS Power Consumption in EGRPS 1800 MHz and EGRPS 1900 MHz

Voltage	Conditions	I <sub>NOM</sub>	I <sub>MAX</sub>
+5V	During TX bursts @ 2W	1.8 A	2.9 A
+5V	Average Class 8	290mA	
+5V	Average Class 10	355mA	
+5V	Average idle mode	40mA	

#### WCDMA Power Consumption

Voltage	Conditions	I <sub>NOM</sub>	I <sub>MAX</sub>
+5V	UMTS Data transfer Band I @+10dBm	390mA	
+5V	HSDPA Data transfer Band I @+10dBm	450mA	
+5V	UMTS Data transfer Band I @+23dBm	750mA	820mA <sup>1</sup>
+5V	HSDPA Data transfer Band I @+23dBm	775mA	850mA <sup>1</sup>
+5V	UMTS Data transfer Band II @+10dBm	455mA	
+5V	HSDPA Data transfer Band II @+10dBm	500mA	
+5V	UMTS Data transfer Band II @+23dBm	810mA	930mA <sup>1</sup>
+5V	HSDPA Data transfer Band II @+23dBm	850mA	930mA <sup>1</sup>
+5V	UMTS Data transfer Band V @+10dBm	390mA	
+5V	HSDPA Data transfer Band V @+10dBm	420mA	
+5V	UMTS Data transfer Band V @+23dBm	620mA	790mA <sup>1</sup>
+5V	HSDPA Data transfer Band V @+23dBm	640mA	820mA <sup>1</sup>

<sup>1</sup> Under total mismatch conditions at antenna connector.

\* Multi-Tech Systems, Inc. recommends that the customer incorporate a 10% buffer into their power source when determining product load.

## Application Notes

### RF Performances

RF performances are compliant with the ETSI recommendation 05.05 and 11.10. The main parameters are:

#### Receiver Features

- EGSM Sensitivity: < -108 dBm
- GSM 1800/GSM 1900 Sensitivity: < -107 dBm
- Selectivity @ 200 kHz: > +9 dBc
- Selectivity @ 400 kHz: > +41 dBc
- Dynamic range: 62 dB
- Intermodulation: > -43 dBm
- Co-channel rejection: + 9 dBc

#### Transmitter Features

- Maximum output power (EGSM): 24 dBm +/- 2 dB
- Maximum output power (DCS/PCS): 30 dBm +/- 2 dB
- Minimum output power (EGSM): 5 dBm +/- 5 dB
- Minimum output power (DCS/PCS): 0 dBm +/- 5 dB
- H2 level: < -30 dBm
- H3 level: < -30 dBm
- Noise in 925 - 935 MHz: < -67 dBm
- Noise in 935 - 960 MHz: < -79 dBm
- Noise in 1805 - 1880 MHz: < -71 dBm
- Phase error at peak power: < 5 ° RMS
- Frequency error: +/- 0.1 ppm max

### RF Connection and Antenna

The RF connector on the SocketModem is an MMCX standard type. See Chapter 1 for Antenna System details.

### Air Interface

#### Air Interface GSM / UMTS

Parameter	Conditions	Min.	Typ.	Max.	Unit
HSDPA / UMTS Connectivity	Band I, II, V				
UMTS Frequency Range Uplink (UE to Node B)	UMTS 850 Band V	824		849	MHz
	UMTS 1900 Band II	1850		1910	MHz
	UMTS 2100 Band I	1920		1980	MHz
UMTS Frequency Range Downlink (Node B to UE)	UMTS 850 Band V	869		894	MHz
	UMTS 1900 Band II	1930		1990	MHz
	UMTS 2100 Band I	2110		2170	MHz
Receiver Input Sensitivity @ ARP	UMTS 850 Band V		-109		dBm
	UMTS 1900 Band II		-107		dBm
	UMTS 2100 Band I		-108		dBm
RF Power@ ARP with 50Ohm Load	UMTS 850 Band V	+21	+23	+25	dBm
	UMTS 1900 Band II	+21	+23	+25	dBm
	UMTS 2100 Band I	+21	+23	+25	dBm
GPRS Coding Schemes	Class 10, CS1 to CS4				
EGPRS	Class 10, MCS1 to MCS9				
GSM Class	Small MS				
GSM Frequency range Uplink (MS to BTS)	GSM 850	824		849	MHz
	E-GSM 900	880		915	MHz
	GSM 1800	1710		1785	MHz
	GSM 1900	1850		1910	MHz
GSM Frequency range Downlink (BTS to MS)	GSM 850	869		894	MHz
	E-GSM 900	925		960	MHz
	GSM 1800	1805		1880	MHz

	GSM 1900	1930	1990	MHz	
Static Receiver input Sensitivity @ ARP	GSM 850	-102	-108		dBm
	E-GSM 900	-102	-108		dBm
	GSM 1800	-102	-107		dBm
	GSM 1900	-102	-107		dBm
RF Power@ ARP with 50Ohm Load (GSM; 1 TX)	GSM 850	31	32	35	dBm
	E-GSM 900	31	32	35	dBm
	GSM 1800	28	29.25	32	dBm
	GSM 1900	28	29.25	32	dBm
RF Power@ ARP with 50Ohm Load (GPRS; 1 TX)	GSM 850		32		dBm
	E-GSM 900		32		dBm
	GSM 1800		29.25		dBm
	GSM 1900		29.25		dBm
RF Power@ ARP with 50Ohm Load (EGPRS; 1 TX)	GSM 850		27		dBm
	E-GSM 900		27		dBm
	GSM 1800		26		dBm
	GSM 1900		26		dBm
RF Power@ ARP with 50Ohm Load (GPRS; 2 TX)	GSM 850		30.50		dBm
	E-GSM 900		30.50		dBm
	GSM 1800		27.75		dBm
	GSM 1900		27.75		dBm
RF Power@ ARP with 50Ohm Load (EGPRS; 2 TX)	GSM 850		25		dBm
	E-GSM 900		25		dBm
	GSM 1800		24		dBm
	GSM 1900		24		dBm

## ***Configuring the HSDPA Modem on Linux SLAX 6***

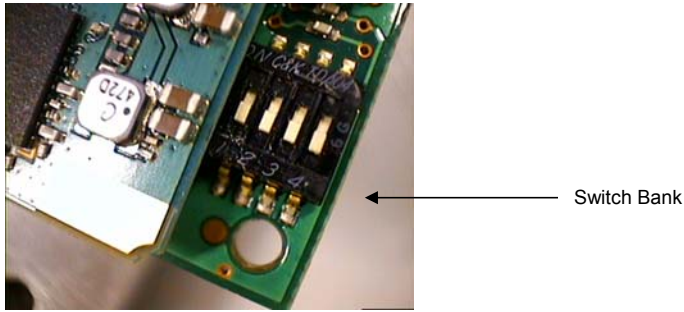
All recent distributions of Linux Kernel v2.6 or higher and CDC\_ACM USB will work well with the HSPDA modem. Follow procedure outlined here using the HSDPA on Linux SLAX 6, an efficient live distribution you can install on a USB stick. See [www.slax.org](http://www.slax.org).

1. Set the HSDPA in modem mode so that it can be enumerated automatically:  
AT^SUSB="Startup","Mdm"  
AT^SMSO
2. Boot SLAX
3. Plug the USB cable into the PC
4. Enable enumeration in a terminal:  
modprobe usbserial vendor=0x0681 product=0x0047
5. Make sure that the modem was enumerated  
ls -la /dev/ttyUSB\*  
The response should be: /dev/ttyUSB0
6. Launch KPPP&
7. Create a new account with AT&T:  
Dial \*99\*\*\*1#
8. Create a new modem  
HC25  
Modem device: /dev/ttyUSB0  
Flow control: None  
Line Termination: CR  
Connection Speed: 921600
9. Add modem commands to the initialization string; i.e., ATZ and AT+CGDCONT=1,"IP","isp.cingular"
10. Enter PAP authentication  
Login and enter password as usual

### Baud Rate Switches on the HSDPA SocketModem

Note: For HSDPA serial model only.

MTSMC-H SocketModem Baud Rate dip switch settings



•	•	•	•	920K
1	2	3	4	

•				460K
1	2	3	4	

	•			230K
1	2	3	4	

•	•			115K SocketModem Default
1	2	3	4	

		•		57.6K
1	2	3	4	

•		•		38.4K
1	2	3	4	

	•	•		19.2K
1	2	3	4	

•	•	•		9.6K
1	2	3	4	

Comment [DAR47]: SocketModem EDGE.gif

## Operating Modes

The table below briefly summarizes the various operating modes.

Mode	Function	
Normal operation	GSM / GPRS / UMTS / HSDPA SLEEP (for USB only)	Power saving mode set automatically when no call is in progress and the USB connection is suspended by host or not present.
	GSM IDLE	Software is active. Once registered to the GSM network, paging with BTS is carried out in order to achieve synchrony with the GSM network. The repetition rate depends on the parameter BSPA_Multiframe. The SocketModem is ready to send and receive.
	GSM TALK	Connection between two subscribers is in progress. Power consumption depends on the GSM network coverage and several connection settings (e.g. DTX off/on, FR/EFR/HR, hopping sequences and antenna connection). The following applies when power is to be measured in TALK_GSM mode: DTX off, FR and no frequency hopping, otherwise same as for IDLE measurements.
	GPRS IDLE	The SocketModem is attached and ready for GPRS data transfer, but no data is currently sent or received.
	GPRS DATA	GPRS data transfer in progress. Power consumption depends on network settings (e.g. power control level), uplink / downlink data rates and GPRS configuration (e.g., used multislot settings).
	EGPRS DATA	EGPRS data transfer in progress. Power consumption depends on network settings (e.g. power control level), uplink / downlink data rates and EGPRS configuration (e.g., used multislot settings).
	UMTS / HSDPA IDLE	The SocketModem is attached and ready for UMTS / HSDPA data transfer, but no data is currently sent or received.
	UMTS DATA	UMTS data transfer in progress. Power consumption depends on network settings (e.g., TPC Pattern) and data transfer rate.
	HSDPA DATA	HSDPA data transfer in progress. Power consumption depends on network settings (e.g., TPC Pattern) and data transfer rate.

### Turn off the SocketModem Using AT Command

The best and safest approach to powering down is to issue the AT^SMSO command. This procedure lets the SocketModem log off from the network and allows the software to enter into a secure state and save data before disconnecting the power supply. The mode is referred to as Power-down mode. In this mode, only the RTC stays active.

After sending AT^SMSO do not enter any other AT commands. There is one way to verify that the SocketModem turns off:

Wait for the "OK" – response. It indicates that data has been stored non-volatile and that the SocketModem turns after about one second.

**Important Note:** The SocketModem requires a reset to become active again.

### Automatic Shutdown

Automatic shutdown takes effect if:

- The modem exceeds the critical limits of *overtemperature* or *undertemperature*.  
The board temperature is constantly monitored by an internal NTC resistor. The values detected by the NTC resistor are measured directly on the board and are therefore not fully identical with the ambient temperature. Each time the board temperature goes out of range or back to normal, the modem instantly displays an alert (if enabled).
  - URCs indicating the level "1" or "-1" allow the user to take appropriate precautions, such as protecting the SocketModem from exposure to extreme conditions. The presentation of the URCs depends on the settings selected with the AT^SCTM write command:  
AT^SCTM=1: Presentation of URCs is always enabled.  
AT^SCTM=0 (default): Presentation of URCs is enabled for 15 seconds time after startup. After 15 seconds operation, the presentation will be disabled, i.e. no alert messages can be generated.
  - URCs indicating the level "2" or "-2" are instantly followed by an orderly shutdown, except in cases of temperature control during an emergency call (see paragraph below). The presentation of these URCs is always enabled; i.e., they will be output even though the factory setting AT^SCTM=0 was never changed.

#### Temperature-Dependent Alerts

Sending temperature alert (15s after start-up; otherwise, only if URC presentation enabled)	
^SCTM_B: 1	Caution: SocketModem close to over-temperature limit.
^SCTM_B: -1	Caution: SocketModem close to under-temperature limit.
^SCTM_B: 0	SocketModem back to uncritical temperature range.
Automatic shutdown (URC appears no matter whether or not presentation was enabled)	
^SCTM_B: 2	Alert: SocketModem is above over-temperature limit and switches off.
^SCTM_B: -2	Alert: SocketModem is below under-temperature limit and switches off.

**Notes:**

- The MTSMC-H will not transmit temperature URC alerts.
- The URCs will not display in data mode.

### Temperature Control during an Emergency Call

If the temperature limit is exceeded while an emergency call is in progress the engine continues to measure the temperature, but deactivates the shutdown functionality. If the temperature is still out of range when the call ends, the SocketModem switches off immediately (without another alert message).

### Power Saving

The modem is able to reduce its functionality to a minimum (during the so-called SLEEP mode) in order to minimize its current consumption. The following sections explain the SocketModem’s network dependant power saving behavior.

The implementation of the USB host interface also influences the SocketModem’s power saving behavior and therefore its current consumption. During normal WCDMA operation; i.e., the modem is connected to a WCDMA network, the duration of a power-saving period varies. It may be calculated using the following formula:

$$t = 2^{\text{DRX value}} * 10 \text{ ms (WCDMA frame duration)}$$



### Power Saving While Attached to GSM Networks

The power saving possibilities while attached to a GSM network depend on the paging timing cycle of the base station. The duration of a power saving interval can be calculated using the following formula:

$$t = 4.615 \text{ ms (TDMA frame duration)} * 51 \text{ (number of frames)} * \text{DRX value.}$$

DRX (Discontinuous Reception) is a value from 2 to 9, resulting in paging intervals between 0.47 and 2.12 seconds. The DRX value of the base station is assigned by the GSM network operator.

In the pauses between listening to paging messages, the SocketModem resumes power saving, as shown in the figure below.



**Power Saving and Paging in GSM Networks**

The varying pauses explain the different potential for power saving. The longer the pause the less power is consumed.

Generally, power saving depends on the SocketModem’s application scenario and may differ from the above mentioned normal operation. The power saving interval may be shorter than 0.47 seconds or longer than 2.12 seconds.

### Power Saving While Attached to WCDMA Networks

The power saving possibilities while attached to a WCDMA network depend on the paging timing cycle of the base station.

During normal WCDMA operation, i.e., the SocketModem is connected to a WCDMA network, the duration of a power saving period varies. It may be calculated using the following formula:

$$t = 2\text{DRX value} * 10 \text{ ms (WCDMA frame duration).}$$

DRX (Discontinuous Reception) in WCDMA networks is a value between 6 and 9, thus resulting in power saving intervals between 0.64 and 5.12 seconds. The DRX value of the base station is assigned by the WCDMA network operator.

In the pauses between listening to paging messages, the SocketModem resumes power saving, as shown in the figure below.



**Power Saving and Paging in WCDMA Networks**

The varying pauses explain the different potential for power saving. The longer the pause the less power is consumed.

Generally, power saving depends on the SocketModem’s application scenario and may differ from the above mentioned normal operation. The power saving interval may be shorter than 0.64 seconds or longer than 5.12 seconds.

### Power Saving During Network Search, GSM/WCDMA

The power saving interval during network search depends on the network registration mode configured for the modem. This mode can be specified with the AT^SCFG command parameter MEopMode/RM:

- In "Fast" mode, the power saving interval may last for up to 5 seconds.
- In "Normal" mode, the power saving interval may last for up to 40 seconds.

For details on how to configure the AT^SCFG parameter MEopMode/RM see the HSDPA AT Command Guide.

## Interface Signal Descriptions

### USB Interface

The SocketModem supports a USB 2.0 Full Speed (12Mbit/s) device interface. A USB host has to support at least 6 ‘Message Pipes’ to work with the HSPDA USB interface.

The USB I/O-pins are capable of driving the signal at min 3.0V. They are 5V I/O compliant.

The USB interface is powered by VUSB. VUSB must be supplied by USB host in the range 4.5 to 5.25V. The maximum load in VUSB is 10mA.

While the USB connection is active, the SocketModem will not change into SLEEP Mode. To enable switching into SLEEP mode the USB host must bring its USB interface into Suspend state. On incoming calls, the SocketModem will then generate a remote wake up request to resume the USB connection.

**Note:** The MTSMC-H will not transition to sleep mode.

### USB Interface Signal Descriptions

Signal Name	I/O	Signal Form and Level	Comment
VUSB	I	VINmin = 4.5V VINmax = 5.25V Active current: Iltyp = 2.5mA IImax = 10mA Suspend current: Iltyp = 900µA	If lines are unused, keep pins open.
USB_DP USB_DN	I/O I/O	Input sensitivity (Diff),  D+ - D- , VIN = 0.8V to 2.5V: 0.2V min Common mode range (Diff), VIN = 0.8V to 2.5V Receiver threshold (single-end), Vthresholdmin = 0.8V Vthresholdmax = 2.0V Receiver hysteresis, Vhystyp = 200mV	If lines are unused, keep pins open.

**Note:** For more information about the USB interface, see the separate USB Reference Guide available on the Universal Guide CD.

# *Part 3*

## *Analog Socket Modems*

- Chapter 6 – SocketModem (MT9234SMI)
- Chapter 7 – SocketModem (MT5692SMI)
- Chapter 8 – SocketModem (MT2492SMI)
- Chapter 9 – SocketModem (MT2456SMI-22)

# Chapter 6 – SocketModem® (MT9234SMI)

## Introduction

Multi-Tech's SocketModem creates communication-ready devices by integrating data/fax/voice functionality into a single product design. The SocketModem is a space-efficient (1" x 2.5"), embedded modem that provides V.92/56K communication. The complete, ready-to-integrate modem dramatically reduces development time and costs for system designers.

The MT9234SMI SocketModems are used for integrating data and fax communications. They are single-port modems that integrate the controller, DSP, and DAA in a 1" x 2.5" form factor and communicate to a host controller via an asynchronous serial interface.

## Product Build Options and Ordering Information

Product	Description	Region	Order this Product ✓
<b>MT9234SMI</b>			
MT9234SMI-92	V.92 Serial Data, V.34 Fax, 5V	Global	
MT9234SMI-L-92	V.92 Serial Data, V.34 Fax, 3.3V	Global	
MT9234SMI-P-92	V.92 Parallel Data, V.34 Fax, 5V	Global	
MT9234SMI-P-L-92	V.92 Parallel Data, V.34 Fax, 3.3V	Global	
MT9234SMI-HV-92	V.92 Serial Data, V.34 Fax, High Voltage, 5V	Global	
MT9234SMI-P-HV-92	V.92 Parallel Data, V.34 Fax, High Voltage, 5V	Global	
<b>Telecom Label</b>			
MT9234SMI-LS	MT9234SMI – Global Regulatory Label	Global	
<b>Developer Kits</b>			
MTSMI-UDK	Universal Developer Kit	Global	
MTSMI-P-UDK	SocketModem Parallel Developer Kit	Global	

**How to Read the Product Codes in the Table Above:**

92	V.92/56K data rate
HV	High Voltage 2KV Dielectric Isolation (EN60601)
L	3.3V
P	Parallel interface
LS	Telecom Label
UDK	Universal Developer Kit

**Comment [DAR48]:** Removed ITP (Industrial Temperature) because Rick said all 9234SMI are ITP.

**Other Product Codes:**

The complete product code may end in .Rx. For example, MT9234SMI-92.Rx.  
 "R" indicates product revision. "x" is the revision number.

## AT Commands Reference Guide

Product	Reference Guides Title and Document Product Number	Fax Commands	Voice Commands
<b>SocketModem (MT9234SMI)</b>	MT9234SMI AT Commands Reference Guide ( <b>S000434x</b> )	See separate Fax Guides: Class 1: <b>S000262x</b> Class 2: <b>S000239x</b>	Included in <b>S000434x</b>

## Technical Specifications

The SocketModem (MT9234SMI) meets the following specifications:

Category	Description
Data Standards	V.92, V.34 enhanced, V.34, V.32bis, V.32, V.22bis, V.22; Bell 212A and Bell 103
Data Format	Serial, or 8-bit parallel interface, asynchronous
Character Format	10 bit or 11 bit
Serial/Data Speeds	Serial port data rates adjustable to 300, 1200, 2400, 4800, 9600, 19200, 38400, 57600, 115200, and 230400 bps
Client-to-Client Data Rates	33600, 31200, 28800, 26400, 24000, 21600, 19200, 16800, 14400, 12000, 9600, 7200, 4800, 2400, 1200, 0-300 bps
Data Error Correction (ECM)	V.44; V.42 (LAPM, MNP 2-4)
Data Compression	V.42bis, MNP 5
Fax Compatibility	V.17, V.29/V.27/V.21, V.34
Fax Class	Class 1 & 1.0 – All builds Class 2, 2.0/2.1 – All builds
Fax Compression	MH, MR, MMR
Fax Error Correction Mode	ECM
Modes of Operation	Fax online modes; full duplex over dial-up lines; data mode; command mode; online command mode; V.54 test mode
Weight	0.6 oz. (0.017 kg.)
Operating Temperature	-40° to +85° C
Storage Temperature	-40° to +85° C
Humidity	20% to 90% (non-condensing)
Operating Voltage	3.3V and 5V
Power Measurements	<p><b>MT9234SMI</b>  <b>3.3V</b>                      Typical: 122mA (0.40W @ 3.3VDC)                      Maximum: 136mA (0.49W @ 3.6VDC)                      Sleep Mode: 90mA to 95mA (.297W to .3135W @ 3.3VDC)</p> <p><b>5V</b>                      Typical: 125mA (0.62W @ 5VDC)                      Maximum: 138mA (0.72W @ 5.25VDC)                      Sleep Mode: 92mA (0.44W @ 5VDC)</p> <p><b>Note:</b> Multi-Tech Systems, Inc. recommends that the customer incorporate a 10% buffer into their power source when determining product load.</p>
Transmit Level	- 11 dBm (varies by country setting)
Receiver Sensitivity	- 43 dBm under worst-case conditions
DAA Isolation	<p><b>MT9234SMI</b>                      1.5Kv r.m.s. or 2121 VDC at working voltage of 250VAC</p> <p><b>MT9234SMI</b>                      2Kv r.m.s. or 2828VDC at working voltage of 125VAC</p>
Flow Control	XON/XOFF (software), RTS/CTS (hardware)
Command Buffer	60 characters
Telephony / TAM	TAM: S-101 AT+V commands (no CODEC for speakers/microphone interface)
Certifications & Approvals	<p><b>Safety Certifications</b>                      UL 60950                      cUL 60950                      EN 60950                      AS/NZS 60950:2000                      CCC</p> <p><b>Safety Certifications for HV Builds</b>                      UL 60601-1                      EN 60601-1</p> <p><b>EMC Approvals</b>                      FCC Part 15                      Canadian EMC                      EN 55022                      EN 55024                      GB4943, GB9254</p>
Warranty	2 years

**Comment [DAR49]:** This came from email string involving Curt, Brandon Dalida, Jerome, dated 2/5/09 forwarded by Jerry to me. It covers sleep mode for the 5634SMI-ITP too.

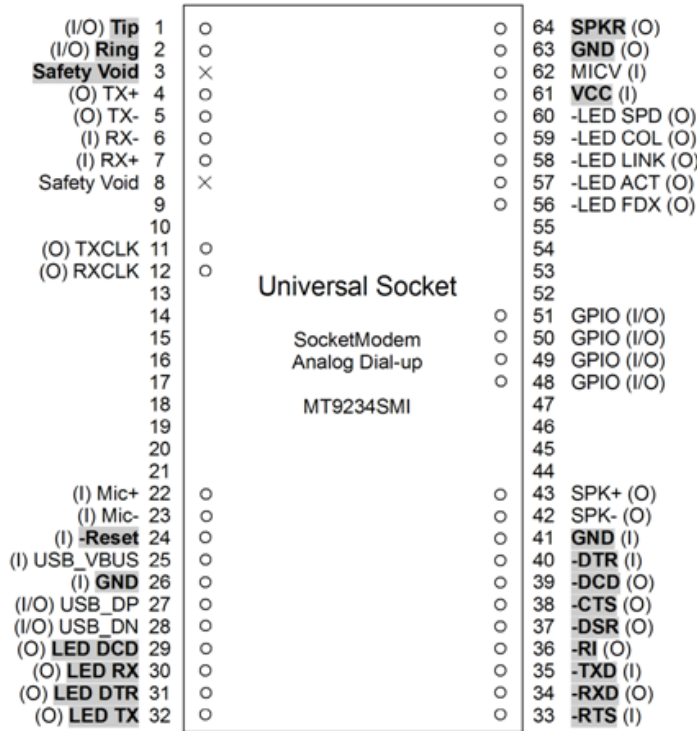
Category	Description
<b>Intelligent Features</b>	Fully AT command compatible Leased-line operation Sleep mode Autodial, redial Pulse or tone dial Dial pauses Auto answer Adaptive line probing Automatic symbol and carrier frequency during start-up, retrain, and rate renegotiations DTMF detection Callback security Distinctive ring Voice record and playback Call status display, auto-parity and data rate selections Keyboard-controlled modem options On-screen displays for modem option parameters Remote configuration DTR dialing Phone number storage Flash memory for firmware updates NVRAM storage for user-defined parameters

## SocketModem Pin Out

### Serial Pin Out

The MT9234SMI SocketModem uses a 20-pin interface to provide an on-board DAA with tip and ring connections, audio circuit for call-progress monitoring, LED driver for call status annunciation, and serial interface.

**Note:** The **bolded, shaded pins** are the **active** MT9234SMI pins.



Top View

Serial SocketModem Pin Out

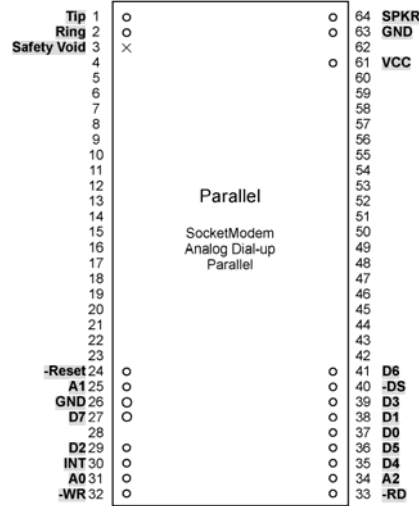
**Comment [DAR50]:** Pinout 9234.png filed under rev K graphics

For pin descriptions, see the *Universal Pin Out Descriptions* in Chapter 1.

## Parallel Pin Out

The parallel configuration is not compatible with the serial universal socket. The Parallel SocketModem uses a 22-pin interface to provide an on-board DAA with tip and ring connections, audio circuit for call-progress monitoring, and parallel interface.

**Note:** The **bolded, shaded pins** are the **active** MT9234SMI-P (Parallel) pins.



Top View – Parallel SocketModem Pins

Comment [DAR51]: SM Analog Dial-up Parallel.wmf

### Pin Descriptions for a Parallel SocketModem Device

Pin #	Signal	I/O	Description
1	Tip	I/O	<b>Telephone Line Interface – TIP</b>
2	Ring	I/O	<b>Telephone Line Interface – RING</b>
24	-RESET	I	<b>Modem Reset (with pull-up).</b> Active low -RESET input resets the SocketModem logic and returns AT command set to original factory defaults or to NVRAM 'stored values'. The modem is ready to accept commands within 6.5 seconds of power-on or reset. Reset must be asserted for a minimum of 30ms.
25	A1	I	<b>Host Bus Address Line 1</b>
26	DGND	GND	<b>Digital Ground</b>
27	D7	O	<b>Host Bus Data Line 7</b>
29	D2	O	<b>Host Bus Data Line 2</b>
30	INT	O	<b>Host Bus Interrupt Line.</b> INT output is set high when the receiver error flag, receiver data available, transmitter holding register empty, or modem status interrupt have an active high condition. INT is reset low upon the appropriate interrupt service or master reset operation.
31	A0	I	<b>Host Bus Address Line 0.</b>
32	-WR	I	<b>Host Bus Write.</b> -WR is an active low, write control input. When -DS is low, -WR low allows the host to write data or control words into a selected modem register.
33	-RD	I	<b>Host Bus Read.</b> -RD is an active low, read control input. When -DS is low, -RD low allows the host to read status information or data from a selected modem register.
34	A2	I	<b>Host Bus Address Line 2</b>
35	D4	O	<b>Host Bus Data Line 4</b>
36	D5	O	<b>Host Bus Data Line 5</b>
37	D0	O	<b>Host Bus Data Line 0</b>
38	D1	O	<b>Host Bus Data Line 1</b>
39	D3	O	<b>Host Bus Data Line 3</b>
40	-DS	I	<b>Host Bus Device Select.</b> -DS input low enables the modem for read or write.
41	D6	O	<b>Host Bus Data Line 6</b>
61	VCC	PWR	<b>+5 V or 3.3 V Supply</b> (depends upon model).
63	AGND	GND	<b>Analog Ground.</b> This is tied common with DGND on the SocketModem. To minimize potential ground noise issues, connect audio circuit return to AGND.
64	SPKR	O	<b>Speaker Output.</b> SPKR is a single ended-output. It is tied to the CODEC through a series 6.8K resistor and .1uf cap.



## DC Electrical Characteristics

### 5V Serial – Standard (SMI) and Medical Device (SMI-HV) Build Options

5VDC Characteristics (VDD = 5V ± 0.25V) VDDMAX = 5.25V

<b>Digital Inputs</b> –DTR (40), –TXD (35), –RTS (33)	<b>Input High</b> Min 2.52V	<b>Input Low</b> Max .9V	
–Reset (24)	<b>Input High</b> Min 2.52V	<b>Input Low</b> Max 0.3V	
<b>Digital Outputs</b> –DCD (39), –CTS (38), –DSR (37), –RI (36), –RXD (34)	<b>Output High</b> Min 2.3V	<b>Output Low</b> Max 0.4V	<b>Current Drive</b> 2mA
<b>Digital Input Capacitance</b>			<b>5 pF</b>

### 5V Parallel – Standard (SMI) and Medical Device (SMI-HV) Build Options

5VDC Characteristics (VDD = 5V ± 0.25V) VDDMAX = 5.25V

<b>Digital Inputs</b> –DS (40)	<b>Input High</b> Min 2.52V	<b>Input Low</b> Max 0.9V	
<b>Digital Inputs (hysteresis input buffer)</b> A0 (31), A1 (25), A2 (34), –WR (32), –RD (33)	<b>Input High</b> Min 2.52V	<b>Input Low</b> Max 0.9V	
<b>Digital Input / Output</b> <b>Output buffer can source 12 mA at 0.4 V</b> DO (37), D1 (38), D2 (29), D3 (39), D4 (35), D5 (36), D6 (41), D7 (27)	<b>Input High</b> Min 2.52V	<b>Input Low</b> Max 0.9V	
<b>Digital Output</b> INT (30)	<b>Output High</b> Min 2.3V	<b>Output Low</b> Max 0.4V	<b>Current Drive</b> 2mA
<b>Digital Input Capacitance</b>			<b>5 pF</b>

### 3.3V Serial – Industrial Temperature (SMI-L) Build Option

3.3VDC Characteristics (VDD = 3.3V ± 0.3V) VDDMAX = 3.6V

<b>Digital Inputs</b> –DTR (40), –TXD (35), –RTS (33)	<b>Input High</b> Min 2.52V	<b>Input Low</b> Max 0.9V	
–Reset (24)	<b>Input High</b> Min 2.52V	<b>Input Low</b> Max 0.3V	
<b>Digital Outputs</b> –DCD (39), –CTS (38), –DSR (37), –RI (36), –RXD (34)	<b>Output High</b> Min. 2.3V	<b>Output Low</b> Max 0.4V	<b>Current Drive</b> 2mA
<b>Digital Input Capacitance</b>			<b>5 pF</b>

### 3.3V Parallel – Industrial Temperature (SMI-L) Build Options

3.3VDC Characteristics (VDD = 3.3V ± 0.3V) VDDMAX = 3.6V

<b>Digital Inputs</b> –DS (40)	<b>Input High</b> Min 2.52V	<b>Input Low</b> Max 0.9V	
<b>Digital Inputs (hysteresis input buffer)</b> A0 (31), A1 (25), A2 (34), –WR (32), –RD (33)	<b>Input High</b> Min 2.52V	<b>Input Low</b> Max 0.9V	
<b>Digital Input/Output</b> <b>Output buffer can source 12 mA at 0.4 V</b> DO (37), D1 (38), D2 (29), D3 (39), D4 (35), D5 (36), D6 (41), D7 (27)	<b>Input High</b> Min 2.52V	<b>Input Low</b> Max 0.9V	
<b>Digital Output</b> INT (30)	<b>Output High</b> Min 2.3V	<b>Output Low</b> Max 0.4V	<b>Current Drive</b> 2mA
<b>Digital Input Capacitance</b>			<b>5 pF</b>

## Parallel Timing Requirements

### Timing Requirements for Parallel Write

Parameter	Min	Max	Unit
–DS to –WR Setup (low to low)	10	-	ns
A0, A1, A2 to –WR Setup (valid to low)	15	-	ns
–WR Pulse Width (low to high)	40	-	ns
D0–D7 to –WR Setup (valid to high)	30	-	ns
–WR to –DS hold (high to high)	0	-	ns
–WR to A0–A2 Hold (high to invalid)	0	-	ns
–WR to D0–D7 Hold (high to invalid)	0	-	ns
–WR interaccess (high to low)			
Non-MIMIC Accesses	10	-	ns
MIMIC Accesses	110	-	ns

### Timing Requirements for Parallel Read

Parameter	Min	Max	Unit
–DS to –RD Setup (low to low)	10	-	ns
A0, A1, A2 to –RD Setup (valid to low)	15	-	ns
–RD Pulse Width (low to high)	40	-	ns
–RD to –DS hold (high to high)	0	-	ns
–RD to A0–A2 Hold (high to invalid)	0	-	ns
–WR interaccess (high to low)			
Non-MIMIC Accesses	10	-	ns
MIMIC Accesses	110	-	ns

## SocketModem Parallel Interface Internal Registers

The SocketModem parallel interface is a mimic of a 16C550A UART. It is similar to the MIMIC interface used in the Zilog Z80189. The SocketModem mimic (MMM) takes advantage of this standard interface while replacing the serial to parallel data transfer with a less complicated parallel to parallel data transfer.

The MMM interface controls an 8-bit parallel data transfer which is typically interrupt driven. Interrupts usually indicate one or both of two conditions: (1) the receive (RX) FIFO has either reached a trigger level or time-out condition and needs to be emptied and/or (2) the transmit (TX) FIFO is empty and waiting for more data from the Host. An interrupt can also be triggered by a change in the modem status register (i.e., loss of carrier) or by the occurrence of errors in the line status register (overrun, parity, framing, break detect).

In addition to the receive and transmit FIFOs, there are twelve other control/status registers called the MMM register set which can be accessed through this interface.

### Overview

#### SocketModem MIMIC (MMM) Operation

Data flow through MMM is bi-directional. Simultaneously, data can flow from the host through the transmit FIFO to the SocketModem controller, and data can flow from SocketModem controller through the receive FIFO to the Host. In the receive path, 8-bit data is asynchronously received (from the SocketModem controller) by the receive FIFO where it is stored along with associated three error bits. The error bits must arrive (via a SocketModem controller I/O write to MMM shadow line status register) prior to receiving the actual data bits. The error bits are then temporarily stored so they may be written, with associated data bits, to the 11-bit wide RX FIFO.

After every data write, the RX FIFO write pointer is incremented. RX FIFO trigger levels, data ready signal, and time-out counter are checked to see if a Host-interrupt needs to be sent. The data ready signal will be activated and MMM sits poised to accept another data word.

We highly recommend the host should read the MMM IIR register to determine the type of interrupt. Then it might check bit 7 of the LSR to see if there are any errors in the data currently residing in the receive FIFO. Finally, it will (1) alternately read a data word through the RX FIFO read pointer and the error bits via the MMM LSR until the FIFO is empty, or (2) read successive data words (knowing there were no errors in the FIFO) until the trigger count is met.

A similar sequence occurs when data flows in the other direction (from host through transmit FIFO), except there is no error bit manipulation/checking involved.

#### FIFO Operation

The 16-byte transmit and receive data FIFOs are enabled by the FIFO Control Register (FCR) bit-0. You can set the receive trigger level via FCR bits 6/7. The receiver FIFO section includes a time-out function to ensure data is delivered to the external host. An interrupt is generated whenever the Receive Holding Register (RHR) has not been read following the loading of a character or the receive trigger level has been reached.

#### Receive (RX) FIFO

The RX FIFO can be configured to be 16 words deep and 11 bits wide. Each word in the RX FIFO consists of 8 data bits and 3 error bits. The RX block of the MMM contains read and write pointers and status flag circuitry that need only to be presented with data (for input), reset, read/write control signals, and read/write clock signals. The RX block of the MMM internally manages the FIFO register file and pointers, and it provides simultaneous read/write capability (no contention problems).

The RX block of the MMM provides data (for output), FIFO full flag, FIFO empty flag, and an almost full flag which uses an associated predefined trigger level (obtained from the MMM FCR control register) to signal when the trigger level has been met. Four possible trigger levels may be selected by programming bits 6-7 of the FCR control register.

A typical (interrupt driven) write to the RX block is a two-step process. The MMM micro-controller must first write the 3 error bits to a shadow MMM LSR status register. Next, the micro-controller writes the data to the RX FIFO and during this write operation, the 3 error bits are directly loaded from the LSR shadow register into the bits 8-10 of the selected (11 bit-wide) FIFO register. These error bits represent the parity error, framing error, and break interrupt signals associated with each data work transmission into the receive FIFO. When the receive FIFO is read, these error bits are loaded directly into bits 2-4 of the MMM LSR register.

A2	A1	A0	Register Name	Register Description	Host Access
0	0	0	RBR	Receive Buffer (RX FIFO)	DLAB = 0 R only
0	0	0	THR	Transmit Holding (TX FIFO)	DLAB = 0 W only
0	0	1	IER	Interrupt Enable	DLAB = 0 R/W
0	1	0	IIR	Interrupt Identification	DLAB = X R only
0	1	0	FCR	FIFO Control	DLAB = X W only
0	1	1	LCR	Line Control	DLAB = X R/W
1	0	0	MCR	Modem Control	DLAB = 0 R/W
1	0	1	LSR	Line Status	DLAB = X R only
1	1	0	MSR	Modem Status	DLAB = X R only
1	1	1	SCR	Scratch pad	DLAB = 0 R/W
0	0	0	DLL	LSB of Divisor Latch	DLAB = 1 R/W
0	0	1	DLM	MSB of Divisor Latch	DLAB = 1 R/W
1	1	1	DLX	Divisor Latch	DLAB = 1 R/W
1	0	0	MCX	Status/Control	DLAB = 1 R/W

**Note 1\*** The General Register set is accessible only when DS is a logic 0.

**Note 2\*** The Baud Rate register set is accessible only when DS is a logic 0 and LCR bit-7 is a logic 1.

### Time Out Interrupts

The interrupts are enabled by IER bits 0-3. Care must be taken when handling these interrupts. Following a reset the transmitter interrupt is enabled, the SocketModem will issue an interrupt to indicate that transmit holding register is empty. This interrupt must be serviced prior to continuing operations.

The LSR register provides the current singular highest priority interrupt only. A condition can exist where a higher priority interrupt may mask the lower priority interrupt(s). Only after servicing the higher pending interrupt will the lower priority interrupt(s) be reflected in the status register. Servicing the interrupt without investigating further interrupt conditions can result in data errors. When two interrupt conditions have the same priority, it is important to service these interrupts correctly.

Receive Data Ready and Receive Time Out have the same interrupt priority (when enabled by IER bit-3).

The receiver issues an interrupt after the number of characters received have reached the programmed trigger level. In this case the MMM FIFO may hold more characters than the programmed trigger level. Following the removal of a data byte, the user should recheck LSR bit-0 for additional characters. A Receive Time Out will not occur if the receive FIFO is empty. The time out counter is reset at the center of each stop bit received or each time the receive holding register (RHR) is read.

### Register Functional Definitions

The following table delineates the assigned bit functions for the twelve internal registers. The assigned bit functions are more fully defined in the following paragraphs.

#### Internal Registers

A2	A1	A0	Register [Default] *3	BIT-7	BIT-6	BIT-5	BIT-4	BIT-3	BIT-2	BIT-1	BIT-0
<b>General Register Set: Note 1*</b>											
0	0	0	RBR [XX]	Bit-7	Bit-6	Bit-5	Bit-4	Bit-3	Bit-2	Bit-1	Bit-0
0	0	0	THR [XX]	Bit-7	Bit-6	Bit-5	Bit-4	Bit-3	Bit-2	Bit-1	Bit-0
0	0	1	IER [00]	0	0	0	0	Modem Status Interrupt	Receive Line Status interrupt	Transmit Holding Register interrupt	Receive Holding Register interrupt
0	1	0	IIR [XX]	FIFO enable	FIFO enable	0	0	Interrupt ID	Interrupt ID	Interrupt ID	Interrupt Pending
0	1	0	FCR [00]	RX Trigger (MSB)	RX trigger (LSB)	Detect change in FCR	TX FIFO overrun bit	DMA mode select	XMIT FIFO reset	RCVR FIFO reset	FIFO enable
0	1	1	LCR [00]	Divisor latch access (DLAB)	Set break	Stick parity	Even parity	Parity enable	0	Word length bit-1	Word length bit-0
1	0	0	MCR [00]	0	0	0	Loop back	INT enable	OUT 1	-RTS	-DTR
1	0	1	LSR [60]	RX FIFO data error	TX empty THR empty	THR Empty	Break interrupt	Framing error	Parity error	Overrun error	Receive data ready
1	1	0	MSR [X0]	CD	RI	DSR	CTS	Delta -CD	Delta -RI	Delta -DSR	Delta -CTS
1	1	1	SCR [FF]	Bit-7	Bit-6	Bit-5	Bit-4	Bit-3	Bit-2	Bit-1	Bit-0
<b>Special Register Set: Note 2*</b>											
0	0	0	DLL [00]	Bit-7	Bit-6	Bit-5	Bit-4	Bit-3	Bit-2	Bit-1	Bit-0
0	0	1	DLM [00]	Bit-7	Bit-6	Bit-5	Bit-4	Bit-3	Bit-2	Bit-1	Bit-0

- Note:** 1\* The General Register set is accessible only when DS is a logic 0.  
 2\* The Baud Rate register set is accessible only when DS is a logic 0 and LCR bit-7 is a logic 1.  
 3\* The value between the square brackets represents the register's initialized HEX value, X = N/A.

**RBR – Receive Buffer (RX FIFO)**

All eight bits are used for receive channel data (host read/data in; host write/data out). The three error bits per byte are copied into bits 2, 3, and 4 of the LSR during each host I/O read; therefore, they are available for monitoring on a per-byte basis.

**THR – Transmit Holding Register (TX FIFO)**

All eight bits are used for transmit channel data (host write/data out; host read/data in).

**IER – Interrupt Enable**

- Bits 4–7:** Reserved and will always read 0.
- Bits 0–3:** Set by host software only and cleared by software control or host reset.
- Bit 3:** Enables modem status IRQ. If bits 0–3 of the MSR are set and this bit is set to 1 (enabled), a host interrupt is generated.
- Bit 2:** Enables receive line status IRQ. If bits 1–4 (overrun, parity, framing, break errors) of the LSR are set and this bit is set to a logic 1, a host interrupt is generated.
- Bit 1:** Enables transmit holding register IRQ. If bit 5 (transmit holding register empty) of the LSR is set and this bit is set to a 1, a host interrupt is generated.
- Bit 0:** Enables received data available IRQ. If bit 0 (data ready) of the LSR is set and this bit is set to a 1, a host interrupt is generated.

**IIR – Interrupt Identification (Read Only)**

- Bits 6–7:** (FIFO enabled bits). These bits will read a 1 if FIFO mode is enabled and the 16450 enable bit is 0 (no force of 16450 mode).
- Bits 4–5:** Reserved and always read a 0.
- Bits 1–3:** Interrupt ID bits.
- Bit 0:** Interrupt pending. If logic 0 (in default mode), an interrupt is pending.

When the host accesses IIR, the contents of the register are frozen. Any new interrupts will be recorded, but not acknowledged during the IIR access. This requires buffering bits (0–3, 6–7) during IIR reads.

**Interrupt Sources and Reset Control Table**

Bit 3	Bit 2	Bit 1	Priority	Interrupt Source	Interrupt Reset Control
0	1	1	Highest	Overrun, parity, framing, error or break detect bits set by SocketModem Controller	Reading the LSR
0	1	0	2 <sup>nd</sup>	Received data trigger level	RX FIFO drops below trigger level
1	1	0	2 <sup>nd</sup>	Receiver time-out with data in RX FIFO	Read RX FIFO
0	0	1	3 <sup>rd</sup>	TX holding register empty	Writing to TX holding register or reading IIR when TX holding register is source of error
0	0	0	4 <sup>th</sup>	MODEM status: CTS, DSR, RI or DCD	Reading the MSR

**FCR – FIFO Control**

- Bits 6–7:** Used to determine RX FIFO trigger levels.
- Bit 5:** Used to detect a change in the FCR.
- Bit 4:** TX FIFO overrun bit.
- Bit 3:** DMA mode select. If bit 3 is a 0, the 16450 mode is enabled which does only single-byte transfers. When bit 3 is a 1, it enables a multiple byte (FIFO mode) data transfer.
- Bit 2:** TX FIFO reset. This will cause TX FIFO pointer logic to be reset (any data in TX FIFO will be lost). This bit is self clearing; however, a shadow bit exists that is cleared only when read by the host, thus allowing the host to monitor a FIFO reset.
- Bit 1:** RX FIFO reset. This will cause RX FIFO pointer logic to be reset (any data in RX FIFO will be lost). This bit is self clearing; however, a shadow bit exists that is cleared only when read by the host, thus allowing the host to monitor a FIFO reset.
- Bit 0:** FIFO enable. The host writes this bit to logic 1 to put the block in FIFO mode. This bit must be a 1 when writing other bits in this register or they will not be programmed. When this bit changes state, any data in the FIFOs or the RBR and THR registers will be lost and any pending interrupts are cleared.

Bit 7	Bit 6	16 Deep FIFO Trigger Levels (# of bytes) Default
0	0	1
0	1	4
1	0	8
1	1	14

**LCR – Line Control**

- Bit 7:** Divisor latch access bit. This bit allows the host, access to the divisor latch. Under normal circumstances, the bit is set to 0 (provides access to the RX and TX FIFOs at address 0). If the bit is set to 1, access to transmitter, receiver, interrupt enable, and modem control registers is disabled. In this case, when an access is made to address 0, the divisor latch least (DLL) significant byte is accessed. Address 1 accesses the most significant byte (DLM). Address 7 accesses the DLX divisor latch register. Address 4 accesses the MCX status/control register.
- Bit 6:** Used to denote a host-generated set break condition.
- Bits 0,1,3,4,5:** Used only in parity bit generation for the 7 bit data byte case. Bits 0 and 1 are used for word length select (b0 = 0 and b1 = 1 is used for 7 bit data). Bit 3 is parity enable. Bit 4 is even parity select. Bit 5 is stick parity.

**MCR – Modem Control**

- Bits 5–7:** Reserved, and will always be 0.
- Bit 4:** Used for loopback. When a 1, bits 0–3 of the MCR are reflected in modem status register (MSR) as follows: RI <= OUT1, DCD <= OUT2, DSR <= DTR, CTS <= RTS. Emulation of loopback feature of 16550 UART must be done by the host except for the above conditions. Also, when this bit is set, it allows for data loop back. This means the host can write a data word to the TX and immediately read back the same data word from the RX (in a manner similar to the 16550A).
- Bit 3:** Controls the signal used to 3-state the host interrupt. If 0, then an active-low L33xV output will be set to 0, and this signal will be used to 3-state the host interrupt output pin.
- Bits 0–2:** Used during LOOP function.
- Bit 2:** OUT1.
- Bit 1:** Request to Send (RTS).
- Bit 0:** Data terminal ready (DTR).

### **LSR – Line Status**

- Bit 7:** Error in RX FIFO. This bit is always set to 1 if at least one data byte in the RX FIFO has an error. This will clear when there are no more errors in the RX FIFO.
- Bit 6:** Transmitter empty. This bit is the same as LSR bit 5 (THRE) in MMM
- Bit 5:** Transmitter holding register empty. This bit is set to 1 when either the transmitter holding register has been read (emptied) by the micro-controller (16450 mode) or the TX FIFO is empty (16550 mode). This bit is set to 0 when either the THR or the TX FIFO becomes not empty in 16450 mode. In 16550 mode, it is set to 0 only after the trigger level has been met since the last occurrence of TX FIFO empty. If the transmitter timer is enabled, a shadow bit exists which delays the timer setting this bit to 1. When reading this bit, the micro-controller will not see the delay. Both shadow and register bits are cleared when the host writes to the THR or TX FIFO in 16450 mode. The trigger level must be reached to clear the bit in 16550 (FIFO) mode.
- Bits 2–4:** Used for parity error, framing error, and break detect. These bits are written, indirectly, by the micro-controller as follows: The bits are first written to the shadow bit locations when the micro-controller write accesses the LSR. When the next character is written to the receive buffer (RBR) or the RX FIFO, the data in the shadow bits is then copied to the RBR (16450 mode) or RX FIFO (16550 mode). In FIFO mode, bits become available to the host when the data byte associated with the bits is next to be read. In FIFO mode, with successive reads of the receiver, the status bits will be set if an error occurs on any byte. Once the micro-controller writes to the RBR or RX FIFO, the shadow bits are auto cleared. The register bits are updated with each host read.
- Bit 1:** Overrun error. This bit is set if the micro-controller makes a second write to RBR before the host reads data in the buffer (16450 mode) or with a full RX FIFO (16550 mode). No data will be transferred to the RX FIFO under these circumstances. This bit is reset when the host reads the LSR.
- Bit 0:** Data ready bit. This bit is set to 1 when received data is available, either in the RX FIFO (16550 mode) or the RBR (16450 mode). This bit is set immediately upon the micro-controller writing data to the RBR or FIFO if the receive timer is not enabled, but it is delayed by the timer interval if the receive timer is enabled. For micro-controller read access, a shadow bit exists so that the micro-controller does not see the delay that the host sees. Both bits are cleared to logic 0 immediately upon reading all data in either RBR or RX FIFO.

### **MSR – Modem Status**

Bits 4 through 7 of the MSR can also take on the MCR bits 0 through 3 value when in MCR loop mode (i.e. when MCR b4 = 1). The transfer of bits in loop back has a null modem twist (i.e. MCR b0 goes to MSR b5 and MCR b1 goes to MSR b4).

- Bit 7:** Data carrier detect (DCD) bit.
- Bit 6:** Ring indicator (RI) bit.
- Bit 5:** Data set ready (DSR) bit.
- Bit 4:** Clear to send (CTS) bit.
- Bit 3:** Delta data carrier detect pin. This bit is set to a 1 whenever the data carrier detect bit changes state. It is reset when the host reads the modem status register.
- Bit 2:** Trailing edge ring indicator bit. This bit is set to 1 on the falling edge of the ring indicator bit. It is reset when the host reads the modem status register.
- Bit 1:** Delta data set ready bit. This bit is set to 1 whenever the data set ready changes state. It is reset when the host reads the modem status register.
- Bit 0:** Delta clear to send bit. This bit is a one whenever the clear to send bit changes state. It is reset when the host reads the modem status register.



**SCR – Scratch**

The host programmer uses this register for temporary data storage.

**DLL – Divisor Latch (LSByte)**

This register contains low-order byte for the 16-bit clock divider. It is kept to maintain register set compatibility with the 16C550A interface. However, it is not used for clock generation since MMM does not require the generation of a real baud clock.

**DLM – Divisor Latch (MSByte)**

This register contains high-order byte for the 16-bit clock divider. It is kept to maintain register set compatibility with the 16C550A interface. However, it is not used for clock generation, since MMM does not require the generation of a real baud clock.

Programming the Baud Rate Generator Registers DLM (MSB) and DLL (LSB) provides a user capability for selecting the desired final baud rate. The example in the Table below shows the selectable baud rates available when using a 1.8432 MHz external clock input.

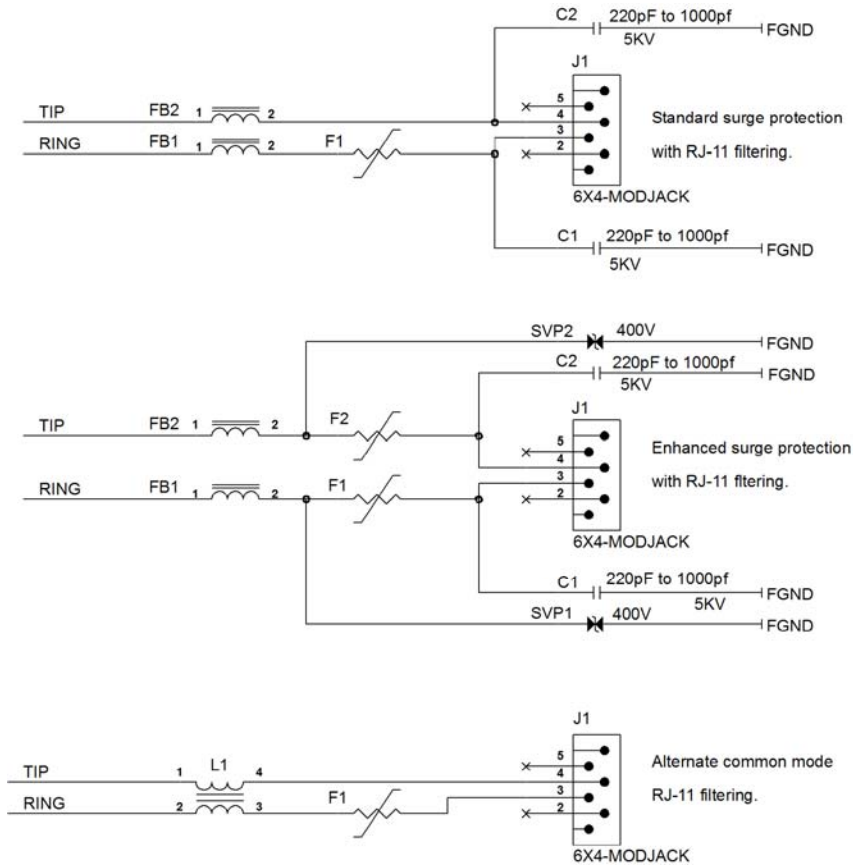
**BAUD RATE GENERATOR PROGRAMMING TABLE**

Baud Rate	16 x Clock Divisor (Decimal)	DLM Value (HEX)	DLL Value (HEX)
110	1047	04	17
300	384	01	80
600	192	00	C0
1200	96	00	60
2400	48	00	30
4800	24	00	18
9600	12	00	0C
19.2K	6	00	06
38.4K	3	00	03
57.6K	2	00	02
115.2K	1	00	01

### Application Notes

## Tip and Ring Interface

Comment [DAR52]: This is the new Tip and Ring done 2008



### OEM Motherboard

### Filtering and Surge Protection Options

Comment [DAR53]: Tip\_and\_Ring\_New\_2008.png Rev. I

See *Design Considerations and Recommended Parts* in Chapter 1.

### Recommended Uses for Filtering Options

- **Enhanced Surge Protection with RJ-11 Filtering**  
Use this option when additional lightning protection may be needed.
- **Alternate Common Mode with RJ-11 Filtering**  
Use this option when your design has common mode emission issues.

# Chapter 7 – SocketModem® (MT5692SMI)

## Introduction

This chapter covers the SocketModem® MT5692SMI and its various builds: serial, parallel, voice. The serial build option can be ordered with or without IP functionality.

The Multi-Tech SocketModem creates communication-ready devices by integrating data/fax/voice functionality into a single product design. The SocketModem is a space-efficient (1" x 2.5"), embedded modem that provides V.92 or V.34/33.6K data communication. The complete, ready-to-integrate modem dramatically reduces development time and costs for system designers.

The MT5692SMI SocketModem is a standard 64-pin modem used for integrating data communications.

- It is a single-port modem that integrates the controller, DSP, and DAA in a 1" x 2.5" form factor and communicates to a host controller via an asynchronous serial interface.
- It is available with an 8-bit parallel interface.

The SocketModem IP, MT5692SMI-IP, embedded modem creates Internet-ready devices by integrating modem functionality and a complete TCP/IP protocol stack into a single, universal socket design. This embedded modem sends and receives data via e-mail, HTTP, or socket interfaces. It also complies with telecom requirements globally allowing for worldwide shipments.

## Product Build Options and Ordering Information

Product	Description	Region	Order this Product ✓
<b>MT5692SMI</b>			
<b>Serial Builds</b>			
MT5692SMI-34	V.34 Serial Data / V.17 Fax, 5V	Global	
MT5692SMI-L-34	V.34 Serial Data / V.17 Fax, 3.3V	Global	
MT5692SMI-92	V.92 Serial Data / V.17 Fax, 5V	Global	
MT5692SMI-L-92	V.92 Serial Data / V.17 Fax, 3.3V	Global	
MT5692SMI-X-L-92	V.92 Serial Data / V.17 Fax, 3.3V (excludes LED pins)	Global	
<b>IP Builds</b>			
MT5692SMI-IP-92	V.92 Serial Data-Only 5V	Global	
MT5692SMI-IP-L-92	V.92 Serial Data-Only, 3.3V	Global	
<b>Voice Builds</b>			
MT5692SMI-V-34	V.34 Serial Data / V.17 Fax / Voice, 5V	Global	
MT5692SMI-V-92	V.92 Serial Data / V.17 Fax / Voice, 5V	Global	
<b>Parallel Builds</b>			
MT5692SMI-P-34	V.34 Parallel Data / V.17 Fax, 5V	Global	
MT5692SMI-P-L-34	V.34 Parallel Data / V.17, 3.3V	Global	
MT5692SMI-P-92	V.92 Parallel Data / V.17 Fax, 5V	Global	
MT5692SMI-P-L-92	V.92 Parallel Data / V.17 Fax, 3.3V	Global	
<b>Developer Kits</b>			
MTSMI-UDK	SocketModem Serial Developer Kit	Global	
MTSMI-P-UDK	SocketModem Parallel Developer Kit	Global	

**How to Read the Product Codes in the Above Table:**

- 34** V.34 data rate
- 92** V.92/56K data rate
- L** 3.3V power input (default is 5V)
- P** Parallel interface (default is serial)
- V** Speakerphone I/O
- X** Excludes LED pins
- IP** Embedded Universal IP Stack
- UDK** Universal Developer Kit

**Other Product Codes:**

The complete product code may end in **.Rx**. For example, MT5692SMI-V-34.Rx.  
 "R" indicates product revision. "x" is the revision number.

## AT Commands Reference Guide

Product	Reference Guides Title and Document Product Number	Fax Commands	Voice Commands
SocketModem (MT5692SMI)	MT5692SMI AT Commands Reference Guide (S000468x)	Included in S000468x	Included in S000468x
SocketModem (MT5692SMI-IP)	Universal IP AT Commands Reference Guide (S000457x)	NA	NA

## Technical Specifications

### MT5692SMI, MT5692SMI-V, MT5692SMI-P, MT5692SMI-IP

The MT5692SMI, MT5692SMI-V, MT5692SMI-P, and MT5692SMI-IP SocketModems meet the following specifications:

Category	Description
Data Standards	V.92, V.34, V.32bis, V.32, V.23, V.23 half-duplex, V.23 reverse, V.22bis, V.22bis Fast Connect, V.22, V.21, Bell 212A/Bell 103, V.29 FastPOS, V.80 Synchronous Access Mode (V.80 not for IP build)
Data Format	<b>All Builds:</b> Serial, asynchronous <b>Parallel Build:</b> 8-bit parallel interface
Character Format	10 bit
Serial/Data Speeds	<b>All Builds Except IP:</b> Supports DTE speeds up to 230.4K bps, autobaud up to 115.2K bps <b>For IP Build:</b> Supports DTE speeds up to 921.6K bps
Client-to-Client Data Rates	33600, 31200, 28800, 26400, 24000, 21600, 19200, 16800, 14400, 12000, 9600, 7200, 4800, 2400, 1200, 0-300 bps
Data Error Correction	V.42 LAPM and MNP 2–4
Data Compression	V.44, V.42bis, MNP 5
Fax Compatibility	<b>All Builds Except IP:</b> V.17, V.29, V.27ter, V.21 channel 2
Fax Class	<b>All Builds Except IP:</b> Class 1, Class 1.0
Modes of Operation	Full duplex over dial-up lines; data mode, command mode, online command mode
Size	2.54" (64.541 mm) x 1.045" (26.543 mm)
Weight	0.6 oz. (0.017 kg.)
Operating Temperature	-40° to +85° C
Storage Temperature	-40° to +85° C
Humidity	20% to 90% (non-condensing)
Operating Voltage	3.3V or 5V <b>Note:</b> Voice modules are available with 5V only
Transmit Level	-12 dBm (varies by country)
Receiver Sensitivity	-43 dBm under worst-case conditions
DAA Isolation	1.5Kv r.m.s. or 2121 VDC at working voltage of 250VAC
Flow Control	<b>All Builds Except IP:</b> XON/XOFF (software), RTS/CTS (hardware)
Command Buffer	60 characters
Telephony/TAM	V.253 commands 8 kHz sample rate Concurrent DTMF, distinctive ring, and "Bell Core Type 1" Caller ID 8-bit $\mu$ -law and A-law PCM coding <b>Supports PCM Encoding:</b> 2-bit and 4-bit ADPCM, 8-bit and 16-bit linear PCM, and 4-bit IMA coding
Compliance	<b>EMC Compliance</b> FCC Part 15 (Class B) ICES-003 (Class B) EN 55022 (Class B) EN 55024 <b>Safety Compliance</b> UL 60950-1 cUL 60950-1 EN 60950-1 AS/NZS 60950:2000 <b>Telecom</b> 47 CFR Part 68 CS-03 R&TTE A-Tick (Other countries included per the Modem Globalization Guide)
Warranty	<b>2 years</b>

Comment [DAR54]: 115.2K bps came from Mike L. 7/14/09

Comment [DAR55]: 921.6K bps came from Mike L. 7/14/09

<i>Category</i>	<i>Description</i>
<b>Intelligent Features</b>	<p>V.22bis Fast Connect  V.29 FastPOS  Voice send and receive functions  LED pin output option  DTMF detection and distinctive ring  Audio circuit outputs for audio call-progress monitoring  Three-number storage for automatic dialing capabilities and non-volatile memory (NoVRAM) to store user profiles  Speaker interface for call progress monitoring  Full-duplex data transmission over dial-up lines  Line quality monitoring and retrain  Line protection circuitry included  Auto-dial, redial, and auto-answer, pulse or tone dial, call status display  Extension pickup detection  Remote hang-up detection  Line-in-use detection  Digital PBX detection and protection  60-character command line buffering  Auto-parity and data rate selections  AT command compatibility  Global approvals with a single SocketModem design  Intelligent DAA technology detects line status  Supports speakerphone I/O  Supports "Bell Core Type 1" Caller ID  Modem mode bypasses the IP features  Flash memory to update firmware with the latest enhancements</p> <p><b>For IP Build Only:</b>  Internet Protocols Supported: Dial-in PPP, DNS, FTP, ICMP,IP, LCP, PPP, SMTP, SNTP, TCP, UDP Socket  Dial-in PPP using remote dial-up networking  Authentication Protocols: CHAP, Dial-up Script, PAP  Binary Base 64 encoding and MIME email formats</p>

## Pin Outs

### Serial Build (MT5692SMI and MT5692SMI-IP)

(I/O) Tip	1	○		○	64	SPKR (O)
(I/O) Ring	2	○		○	63	GND (O)
Safety Void	3	×		○	62	MICV (I)
(O) TX+	4	○		○	61	VCC (I)
(O) TX-	5	○		○	60	-LED SPD (O)
(I) RX-/RX+	6	○		○	59	-LED COL (O)
(I) RX+/RX-	7	○		○	58	-LED LINK (O)
Safety Void	8	×		○	57	-LED ACT (O)
	9			○	56	-LED FDX (O)
	10			○	55	
(O) TXCLK	11	○		○	54	
(O) RXCLK	12	○		○	53	
	13		Universal Socket	○	52	
	14			○	51	GPIO (I/O)
	15		SocketModem	○	50	GPIO (I/O)
	16		Analog Dial-up	○	49	GPIO (I/O)
	17			○	48	GPIO (I/O)
	18		MT5692SMI	○	47	
	19			○	46	
	20			○	45	
	21			○	44	
(I) Mic+	22	○		○	43	SPK+ (O)
(I) Mic-	23	○		○	42	SPK- (O)
(I) -Reset	24	○		○	41	GND (I)
(I) USB_VBUS	25	○		○	40	-DTR (I)
(I) GND	26	○		○	39	-DCD (O)
(I/O) USB_DP	27	○		○	38	-CTS (O)
(I/O) USB_DN	28	○		○	37	-DSR (O)
(O) LED DCD	29	○		○	36	-RI (O)
(O) LED RX	30	○		○	35	-TXD (I)
(O) LED DTR	31	○		○	34	-RXD (O)
(O) LED TX	32	○		○	33	-RTS (I)

Top View -- SocketModem Pin Out

For pin descriptions, see the Universal Pin Out Description in Chapter 1.

### Serial with Voice Build (MT5692SMI-V)

(I/O) Tip	1	○		○	64	SPKR (O)
(I/O) Ring	2	○		○	63	GND (O)
Safety Void	3	×		○	62	MICV (I)
(O) TX+	4	○		○	61	VCC (I)
(O) TX-	5	○		○	60	-LED SPD (O)
(I) RX-/RX+	6	○		○	59	-LED COL (O)
(I) RX+/RX-	7	○		○	58	-LED LINK (O)
Safety Void	8	×		○	57	-LED ACT (O)
	9			○	56	-LED FDX (O)
	10			○	55	
(O) TXCLK	11	○		○	54	
(O) RXCLK	12	○		○	53	
	13		Universal Socket	○	52	
	14			○	51	GPIO (I/O)
	15		SocketModem	○	50	GPIO (I/O)
	16		Analog Dial-up	○	49	GPIO (I/O)
	17		with Voice	○	48	GPIO (I/O)
	18		MT5692SMI-V	○	47	
	19			○	46	
	20			○	45	
	21			○	44	
(I) Mic+	22	○		○	43	SPK+ (O)
(I) Mic-	23	○		○	42	SPK- (O)
(I) -Reset	24	○		○	41	GND (I)
(I) USB_VBUS	25	○		○	40	-DTR (I)
(I) GND	26	○		○	39	-DCD (O)
(I/O) USB_DP	27	○		○	38	-CTS (O)
(I/O) USB_DN	28	○		○	37	-DSR (O)
(O) LED DCD	29	○		○	36	-RI (O)
(O) LED RX	30	○		○	35	-TXD (I)
(O) LED DTR	31	○		○	34	-RXD (O)
(O) LED TX	32	○		○	33	-RTS (I)

Top View – SocketModem with Voice Pin Out

For pin descriptions, see the Universal Pin Out Description in Chapter 1.

**Parallel Build (MT5692SMI-P)**

(I/O) Tip	1	○	64	SPKR (O)
(I/O) Ring	2	○	63	GND (O)
Safety Void	3	X	62	MICV (I)
(O) TX+	4	○	61	VCC (I)
(O) TX-	5	○	60	-LED SPD (O)
(I) RX-/RX+	6	○	59	-LED COL (O)
(I) RX+/RX-	7	○	58	-LED LINK (O)
Safety Void	8	X	57	-LED ACT (O)
	9		56	-LED FDX (O)
	10		55	
(O) TXCLK	11	○	54	
(O) RXCLK	12	○	53	
	13		52	
	14		51	GPIO (I/O)
	15		50	GPIO (I/O)
	16		49	GPIO (I/O)
	17		48	GPIO (I/O)
	18		47	
	19		46	
	20		45	
	21		44	
(I) Mic+	22	○	43	SPK+ (O)
(I) Mic-	23	○	42	SPK- (O)
(I) -Reset	24	○	41	GND (I)
(I) USB_VBUS	25	○	40	-DTR (I)
(I) GND	26	○	39	-DCD (O)
(I/O) USB_DP	27	○	38	-CTS (O)
(I/O) USB_DN	28	○	37	-DSR (O)
(O) LED DCD	29	○	36	-RI (O)
(O) LED RX	30	○	35	-TXD (I)
(O) LED DTR	31	○	34	-RXD (O)
(O) LED TX	32	○	33	-RTS (I)

**Top View – SocketModem with Parallel Build Pin Out**  
 For pin descriptions, see the Universal Pin Out Description in Chapter 1.

**Parallel Pin Descriptions**

Pin #	Signal Name	In Out Type	Description
1	Tip	I/O	Telephone Line Interface – TIP
2	Ring	I/O	Telephone Line Interface – RING
24	-RESET	I	<b>Modem Reset (CMOS input with pull-up).</b> The active low -RESET input resets the SocketModem logic and returns the AT command set to the original factory default values or to "stored values" in NVRAM. The modem is ready to accept commands within 6.5 seconds of power-on or reset.
25	A1	I	Host Bus Address Line 1
26	DGND	GND	Digital Ground
27	D7	O	Host Bus Data Line 7
29	D2	O	Host Bus Data Line 2
30	INT	O	Host Bus Interrupt Line (Active High, Resets on Low)
31	A0	I	Host Bus Address Line 0
32	-WR	I	Host Bus Write. When low, allows host to write to SocketModem.
33	-RD	I	Host Bus Read. When low, allows host to read from SocketModem.
34	A2	I	Host Bus Address Line 2
35	D4	O	Host Bus Data Line 4
36	D5	O	Host Bus Data Line 5
37	D0	O	Host Bus Data Line 0
38	D1	O	Host Bus Data Line 1
39	D3	O	Host Bus Data Line 3

**Comment [DAR56]:** This sentence removed from reset by Dustin 8/24/09  
**Reset must be asserted for a minimum of 15ms.**



## Parallel Pin Descriptions Continued

Pin #	Signal Name	In Out Type	Description
40	-DS	I	<b>Host Bus Device Select (or Chip Select) (Active Low)</b>
41	D6	O	<b>Host Bus Data Line 6</b>
61	VCC	PWR	<b>3.3 V or 5 V Supply</b> (depends upon model).
62	MICV	I	<b>Single-Ended Microphone.</b> Single-ended microphone input for dial-up SocketModem speakerphone and TAM functions.
63	AGND	GND	<b>Analog Ground.</b> This is tied common with DGND on the SocketModem. To minimize potential ground noise issues, connect audio circuit return to AGND.
64	SPKR	O	<b>Speaker</b> – Call monitor.

## Operating Conditions

Parameter	Minimum	Maximum
5V Supply Range – Vcc	4.5V	5.5V
3.3V Supply Range – Vcc	3.135V	3.465V

## Absolute Maximum Rating

Parameter	Minimum	Maximum
Voltage at Any Signal Pin	GND -0.3V	Vcc +3.3V

## DC Electrical Characteristics

**5V SocketModem**

5VDC Characteristics (VDD = 5V ± 0.25V) VDDMAX = 5.25V

Parameter	Minimum	Maximum
<b>Input Low Level</b> -DS (40)	-0.3V	0.8V
<b>Input High Level</b> A0 (31), A1 (25), -WR (32), -RD (33)	2.2V	Vcc
<b>Output Low Level</b> DO (37), D1 (38), D2 (29), D3 (39), D4 (35), D5 (36), D6 (41), D7 (27)	NA	0.4V
<b>Output High Level</b> INT (30)	2.4V	NA
<b>Digital Input Capacitance – 50pF</b>		

**3.3 V SocketModem**

3.3VDC Characteristics (VDD = 3.3V ± 0.3V) VDDMAX = 3.6V

Parameter	Minimum	Maximum
<b>Input Low Level</b> -DS (40)	-0.3V	0.8V
<b>Input High Level</b> A0 (31), A1 (25), A2 (34), -WR (32), -RD (33)	2V	Vcc
<b>Output Low Level</b> DO (37), D1 (38), D2 (29), D3 (39), D4 (35), D5 (36), D6 (41), D7 (27) 2 mA, Z <sub>INT</sub> = 120 Ω	NA	0.4V
<b>Output High Level</b> INT (30) 2 mA, Z <sub>INT</sub> = 120 Ω	2V	NA
<b>Digital Input Capacitance – 50pF</b>		

## Power\* Measurements

### Serial Build – MT5692SMI

Input Voltage: 3.3V			
	Sleep Mode	Typical	Maximum
Current (AMPS)	0.014	0.069	0.080
Watts	0.046	0.216	0.249
Input Voltage: 5V			
	Sleep Mode	Typical	Maximum
Current (AMPS)	0.018	0.074	0.088
Watts	0.089	0.359	0.425

### Serial with IP Build – MT5692SMI-IP

Input Voltage: 3.3V			
	Sleep Mode	Typical	Maximum
Current (AMPS)	0.047	0.101	0.112
Watts	0.151	0.316	0.349
Input Voltage: 5V			
	Sleep Mode	Typical	Maximum
Current (AMPS)	0.052	0.109	0.121
Watts	0.256	0.528	0.583

Comment [DAR57]: This were updated on 10/16/09 with new info from Tom Fix.

### Voice Build – MT5692SMI-V

Note: The voice build is not available in 3.3V.

Input Voltage: 5V			
	Sleep Mode	Typical	Maximum
Current (AMPS)	0.016	0.076	0.089
Watts	0.080	0.380	0.445

### Parallel Build – MT5692SMI-P

Input Voltage: 3.3V			
	Sleep Mode	Typical	Maximum
Measured Voltage	3.30	3.29	3.29
Current (AMPS)	0.015	0.072	0.081
Watts	0.051	0.236	0.267
Input Voltage: 5V			
	Sleep Mode	Typical	Maximum
Measured Voltage	4.91	4.86	4.84
Current (AMPS) with 5V	0.014	0.069	0.079
Watts	0.068	0.334	0.380

**Note:** Multi-Tech Systems, Inc. recommends that the customer incorporate a 10% buffer into their power source when determining product load.

### Parallel Host Bus Timing Table

Symbol	Parameter	Min	Max	Units
READ (See Notes)				
t <sup>'AS</sup>	Address Setup	5	-	ns
t <sup>'AH</sup>	Address Hold	5	-	ns
t <sup>'CS</sup>	Chip Select Setup	5	-	ns
t <sup>'CH</sup>	Chip Select Hold	0	-	ns
t <sup>'RD</sup>	RD Strobe Width	77	-	ns
t <sup>'DD</sup>	Read Data Delay	10	25	ns
t <sup>'DRH</sup>	Read Data Hold	5	-	ns
WRITE (See Notes)				
t <sup>'AS</sup>	Address Setup	5	-	ns
t <sup>'AH</sup>	Address Hold	5	-	ns
t <sup>'CS</sup>	Chip Select Setup	0	-	ns
t <sup>'CH</sup>	Chip Select Hold	10	-	ns
t <sup>'WT</sup>	WT Strobe Width	15	-	ns
t <sup>'DS</sup>	Write Data Setup (see Note 4)	15	20	ns
t <sup>'DWH</sup>	Write Data Hold (see Note 5)	5	-	ns

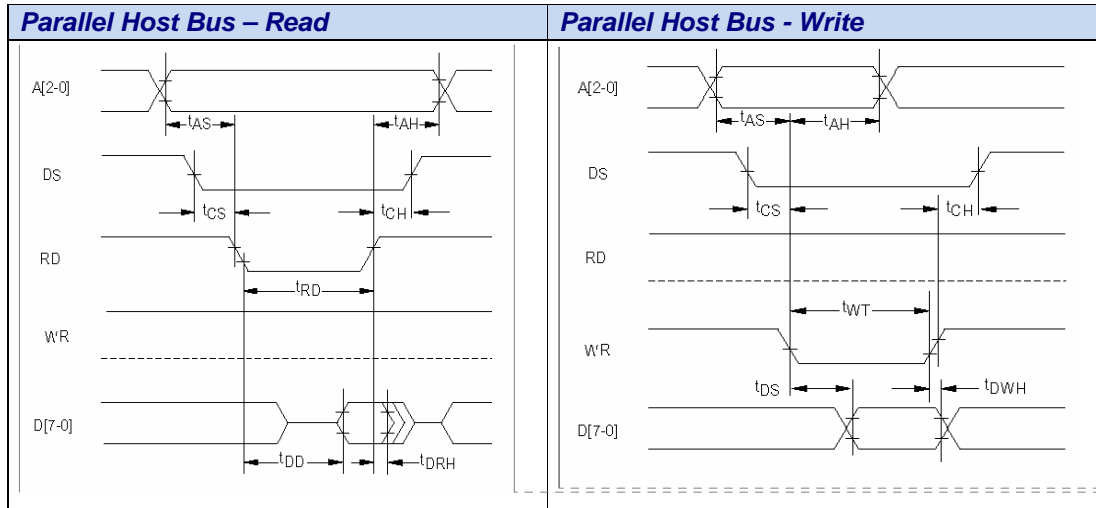
**Notes:**

1. When the host executes consecutive Rx FIFO reads, a minimum delay of 2 times the internal CPU clock cycle plus 15 ns (85.86 ns at 28.224 MHz) is required from the falling edge of RD to the falling edge of the next Host Rx FIFO RD clock.
2. When the host executes consecutive Tx FIFO writes, a minimum delay of 2 times the internal CPU clock cycle plus 15 ns (85.86 ns at 28.224 MHz) is required from the falling edge of WT to the falling edge of the next Host Tx FIFO WT clock.
3. t<sup>'RD'</sup> t<sup>'WT'</sup> = t<sup>'CYC'</sup> + 15 ns.
4. t<sup>'DS'</sup> is measured from the point at which both CS and WT are active.
5. t<sup>'DWH'</sup> is measured from the point at which either CS and WT become active.
6. Clock Frequency = 1.8432 MHz clock.

**Comment [DAR58]:** Changed by Mike McNeil 7/9/09- Parallel Host Bus Timing Table - For READ change, Address Hold to 5, Chip Select Setup to 5, Chip Select Hold to 0, RD Strobe Width to 77, Read Data Delay to 10. For WRITE change, Address Hold to 5, WT Strobe Width to 15, Write Data Setup to 15.  
- 6. Clock Frequency is 1.8432MHz.

**Comment [DAR59]:** Parallel\_Host\_Bus\_Read.bmp 31KB

**Comment [DAR60]:** Parallel\_host\_Bus\_Write.bmp 31Kb



## SocketModem Parallel Interface

The modem supports a 16550A interface in parallel interface versions. The 16550A interface can operate in FIFO mode or non-FIFO mode. Non-FIFO mode is the same as the 16450-interface operation. FIFO mode's unique operations are described in this chapter.

### Overview

The modem emulates the 16450/16550A interface and includes both a 16-byte receiver data first-in first-out buffer (RX FIFO) and a 16-byte transmit data first-in first-out buffer (TX FIFO).

### FIFO Mode Selected

When FIFO mode is selected in the FIFO Control Register (FCR0 = 1), both FIFOs are operative. Furthermore, when FIFO mode is selected, DMA operation of the FIFO can also be selected (FCR3 = 1).

### FIFO Mode Not Selected

When FIFO mode is not selected, operation is restricted to a 16450-interface operation.

### Receive Data

Received Data is read by the host from the Receiver Buffer (RX Buffer). The RX Buffer corresponds to the Receiver Buffer Register in a 16550A device. In FIFO mode, the RX FIFO operates transparently behind the RX Buffer. Interface operation is described with reference to the RX Buffer in FIFO and non-FIFO modes.

### Transmit Data

Transmit Data is loaded by the host into the Transmit Buffer (TX Buffer). The TX Buffer corresponds to the Transmit Holding Register in a 16550A device. In FIFO mode, the TX FIFO operates transparently behind the TX Buffer. Interface operation is described with reference to the TX Buffer in both FIFO and non-FIFO modes.

### Receiver FIFO Interrupt Operation

#### Receiver Data Available Interrupt

When the FIFO mode is enabled (FCR0 = 1) and receiver interrupt (RX Data Available) is enabled (IER0 = 1), receiver interrupt operation is as follows:

1. The Receiver Data Available Flag (LSR0) is set as soon as a received data character is available in the RX FIFO. LSR0 is cleared when RX FIFO is empty.
2. The Receiver Data Available Interrupt code (IIR0-IIR4 = 4h) is set whenever the number of received data bytes in the RX FIFO reaches the trigger level specified by FCR6-FCR7 bits. It is cleared whenever the number of received data bytes in the RX FIFO drops below the trigger level specified by FCR6-FCR7 bits.
3. The HINT interrupt is asserted whenever the number of received data bytes in the RX FIFO reaches the trigger level specified by FCR6-FCR7 bits. HINT interrupt is de-asserted when the number of received data bytes in the RX FIFO drops below the trigger level specified by FCR6-FCR7 bits.

#### Receiver Character Timeout Interrupts

When the FIFO mode is enabled (FCR0 = 1) and receiver interrupt (Receiver Data Available) is enabled (IER0 = 1), receiver character timeout interrupt operation is as follows:

1. A Receiver character timeout interrupt code (IIR0-IIR3 = Ch) is set if at least one received character is in the RX FIFO, the most recent received serial character was longer than four continuous character times ago (if 2 stop bits are specified, the second stop bit is included in this time period), and the most recent host read of the RX FIFO was longer than four continuous character times ago.

### Transmitter FIFO Interrupt Operation

#### Transmitter Empty Interrupt

When the FIFO mode is enabled (FCR0 = 1) and transmitter interrupt (TX Buffer Empty) is enabled (IER0 = 1), transmitter interrupt operation is as follows:

1. The TX Buffer Empty interrupt code (IIR0-IIR3 = 2h) will occur when the TX Buffer is empty. It is cleared when the TX Buffer is written to (1 to 16 characters) or the IIR is read.
2. The TX Buffer Empty indications will be delayed 1 character time minus the last stop bit time whenever the following occur: THRE = 1 and there have not been at least two bytes at the same time in the TX FIFO Buffer since the last setting of THRE was set. The first transmitter interrupt after setting FCR0 will be immediate.

## Register Functional Definitions

The following table delineates the assigned bit functions for the twelve internal registers. The assigned bit functions are more fully defined in the following paragraphs.

### Internal Registers

Register No.	Register Name	BIT No.							
		7	6	5	4	3	2	1	0
7	Scratch Register (SCR)	Scratch Register							
6	Modem Status Register (MSR)	Data Carrier Detect (DCD)	Ring Indicator (RI)	Data Set Ready (DSR)	Clear to Send (CTS)	Delta Data Carrier Detect (DDCD)	Trailing Edge of Ring Indicator (TERI)	Delta Data Set Ready (DDSR)	Delta Clear to Send (DCTS)
5	Line Status Register (LSR)	RX FIFO Error	Transmitter Empty (TEMT)	Transmitter Buffer Register Empty (THRE)	Break Interrupt (BI)	Framing Error (FE)	Parity Error (PE)	Overrun Error (OE)	Receiver Data Ready (DR)
4	Modem Control Register (MCR)	0	0	0	Local Loopback	Out 2	Out 1	Request to Send (RTS)	Data Terminal Ready (DTR)
3	Line Control Register (LCR)	Divisor Latch Access Bit (DLAB)	Set Break	Stick Parity	Even Parity Select (EPS)	Parity Enable (PEN)	Number of Stop Bits (STB)	Word Length Select Bit 1 (WLS1)	Word Length Select Bit 0 (WLS0)
2	Interrupt Identify Register (IIR) (Read Only)	FIFOs Enabled	FIFOs Enabled	0	0	Pending Interrupt ID Bit 2	Pending Interrupt ID Bit 1	Pending Interrupt ID Bit 0	"0" if Interrupt Pending
2	FIFO Control Register (FCR) (Write Only)	Receiver Trigger MSB	Receiver Trigger LSB	Reserved	Reserved	DMA Mode Select	TX FIFO Reset	RX FIFO Reset	FIFO Enable
1 (DLAB = 0)	Interrupt Enable Register (IER)	0	0	0	0	Enable Modem Status Interrupt (EDSSI)	Enable Receiver Line Status Interrupt (ELSI)	Enable Transmitter Holding Register Empty Interrupt (ETBEI)	Enable Received Data Available Interrupt (ERBFI)
0 (DLAB = 0)	Transmitter Buffer Register (THR)	Transmitter FIFO Buffer Register (Write Only)							
0 (DLAB = 0)	Receiver Buffer Register (RBR)	Receiver FIFO Buffer Register (Read Only)							
1 (DLAB = 1)	Divisor Latch MSB Register (DLM)	Divisor Latch MSB							
0 (DLAB = 1)	Divisor Latch LSB Register (DLL)	Divisor Latch LSB							

## ***IER – Interrupt Enable Register***

***(Addr = 1, DLAB = 0)***

The IER enables five types of interrupts that can separately assert the HINT output signal (See the Interrupt Sources and Reset Control table in the IIR section of this chapter). A selected interrupt can be enabled by setting the corresponding enable bit to a 1, or disabled by setting the corresponding enable bit to a 0. Disabling an interrupt in the IER prohibits setting the corresponding indication in the IIR and assertion of HINT. Disabling all interrupts (resetting IER0 – IER3 to a 0) inhibits setting of any Interrupt Identifier Register (IIR) bits and inhibits assertion of the HINT output. All other system functions operate normally, including the setting of the Line Status Register (LSR) and the Modem Status Register (MSR).

The IER enables five types of interrupts that can separately assert the HINT output signal. A selected interrupt can be enabled by setting the corresponding enable bit to a 1, or disabled by setting the corresponding enable bit to a 0. Disabling an interrupt in the IER prohibits setting the corresponding indication in the IIR and assertion of HINT. Disabling all interrupts (resetting IER0 - IER3 to a 0) inhibits setting of any Interrupt Identifier Register (IIR) bits and inhibits assertion of the HINT output. All other system functions operate normally, including the setting of the Line Status Register (LSR) and the Modem Status Register (MSR).

**Bits 7-4 Not used.**  
Always 0.

**Bit 3 Enable Modem Status Interrupt (EDSSI).**  
This bit, when a 1, enables assertion of the HINT output whenever the Delta CTS (MSR0), Delta DSR (MSR1), Delta TER (MSR2), or Delta DCD (MSR3) bit in the Modem Status Register (MSR) is a 1. This bit, when a 0, disables assertion of HINT due to setting of any of these four MSR bits.

**Bit 2 Enable Receiver Line Status Interrupt (ELSI).**  
This bit, when a 1, enables assertion of the HINT output whenever the Overrun Error (LSR1), Parity Error (LSR2), Framing Error (LSR3), or Break Interrupt (LSR4) receiver status bit in the Line Status Register (LSR) changes state. This bit, when a 0, disables assertion of HINT due to change of the receiver LSR bits 1-4.

**Bit 1 Enable Transmitter Holding Register Empty Interrupt (ETBEI).**  
This bit, when a 1, enables assertion of the HINT output when the Transmitter Empty bit in the Line Status Register (LSR5) is a 1. This bit, when a 0, disables assertion of HINT due to LSR5.

**Bit 0 Enable Receiver Data Available Interrupt (ERBFI) and Character Timeout in FIFO Mode.**  
This bit, when a 1, enables assertion of the HINT output when the Receiver Data Ready bit in the Line Status Register (LSR0) is a 1 or character timeout occurs in the FIFO mode. This bit, when a 0, disables assertion of HINT due to the LSR0 or character timeout.

### FCR – FIFO Control Register

(Addr = 2, Write Only)

The FCR is a write-only register used to enable FIFO mode, clear the RX FIFO and TX FIFO, enable DMA mode, and set the RX FIFO trigger level.

<b>Bits 7-6</b>	<b>RX FIFO Trigger Level</b> FCR7 and FCR6 set the trigger level for the RX FIFO (Receiver Data Available) interrupt.	
<b>FCR7</b>	<b>FCR6</b>	<b>RX FIFO Trigger Level (Bytes)</b>
0	0	01
0	1	04
1	0	08
1	1	14
<b>Bits 5, 4</b>	Not used	
<b>Bit 3</b>	<p><b>DMA Mode Select</b> When FIFO mode is selected (FCR0 = 1), FCR3 selects non-DMA operation (FCR3 = 0) or DMA operation (FCR3 = 1). When FIFO mode is not selected (FCR0 = 0), this bit is not used (the modem operates in non-DMA mode in 16450 operation).</p> <p><b>DMA Operation in FIFO Mode</b> <b>RXRDY</b> will be asserted with the number of characters in the RX FIFO us equal to or greater than the value in the RX FIFO Trigger Level (IIR0-IIR3 = 4h) or the received character timeout (IIR0-IIR3 = Ch) has occurred. <b>RXTDY</b> will go inactive when there are no more characters in the RX FIFO. <b>TXRDY</b> will be asserted when there are one or more empty (unfilled) locations in the TX FIFO. <b>TXRDY</b> will go inactive when the TX FIFO is completely full.</p> <p><b>Non-DMA Operation in FIFO Mode</b> <b>RXRDY</b> will be asserted when there are one or more characters in the RX FIFO. <b>RXRDY</b> will go inactive when there are no more characters in the RX FIFO. <b>TXRDY</b> will be asserted when there are no characters in the TX FIFO. <b>TXRDY</b> will go inactive when the character is loaded into the TX FIFO Buffer.</p>	
<b>Bit 2</b>	<p><b>TX FIFO Reset</b> When FCR2 is a 1, all bytes in the TX FIFO are cleared. This bit is cleared automatically by the modem.</p>	
<b>Bit 1</b>	<p><b>RX FIFO Reset</b> When FCR1 is a 1, all bytes in the RX FIFO are cleared. This bit is cleared automatically by the modem.</p>	
<b>Bit 0</b>	<p><b>FIFO Enable</b> When FCR0 is a 0, 16450 mode is selected and all bits are cleared in both FIFOs. When FCR0 is a 1, FIFO mode (16550A) is selected and both FIFOs are enabled. FCR0 must be a 1 when other bits in the FCR are written or they will not be acted upon.</p>	

### IIR – Interrupt Identifier Register

(Addr = 2)

The Interrupt Identifier Register (IIR) identifies the existence and type of up to five prioritized pending interrupts. Four priority levels are set to assist interrupt processing in the host. The four levels, in order of decreasing priority, are Highest: Receiver Line Status, 2: Receiver Data Available or Receiver Character Timeout, 3: TX Buffer Empty, and 4: Modem Status.

When the IIR is accessed, the modem freezes all interrupts and indicates the highest priority interrupt pending to the host. Any change occurring in interrupt conditions are not indicated until this access is complete.

<b>Bits 7-6</b>	<b>FIFO Mode</b> These two bits copy FCR0.
<b>Bits 5-4</b>	<b>Not Used</b> Always 0.
<b>Bits 3-1</b>	<b>Highest Priority Pending Interrupt</b> These three bits identify the highest priority pending interrupt (Table below). Bit 3 is applicable only when FIFO mode is selected; otherwise, bit 3 is a 0.
<b>Bit 0</b>	<b>Interrupt Pending</b> When this bit is a 0, an interrupt is pending; IIR bits 1-3 can be used to determine the source of the interrupt. When this bit is a 1, an interrupt is not pending

**Interrupt Sources and Reset Control Table**

Interrupt Identification Register					Interrupt Set and Reset Functions		
Bit 3 (Note 1)	Bit 2	Bit 1	Bit 0	Priority Level	Interrupt Type	Interrupt Source	Interrupt Reset Control
0	0	0	1	—	None	None	—
0	1	1	0	Highest	Receiver Line Status	Overrun Error (OE) (LSR1), Parity Error (PE) (LSR2), Framing Error (FE) (LSR3), or Break Interrupt (BI) (LSR4)	Reading the LSR
0	1	0	0	2	Received Data Available	Received Data Available (LSR0) or RX FIFO Trigger Level (FCR6-FCR7) Reached <sup>1</sup>	Reading the RX Buffer or the RX FIFO drops below the Trigger Level
1	1	0	0	2	Character Timeout Indication <sup>1</sup>	The RX FIFO contains at least 1 character and no characters have been removed from or input to the RX FIFO during the last 4 character times.	Reading the RX Buffer
0	0	1	0	3	TX Buffer Empty	TX Buffer Empty	Reading the IIR or writing to the TX Buffer
0	0	0	0	4	Modem Status	Delta CTS (DCTS) (MSR0), Delta DSR (DDST) (MSR1), Trailing Edge Ring Indicator (TERI) (MSR3), or Delta DCD (DCD) (MSR4)	Reading the MSR

**Note:** 1. FIFO Mode only.



### LCR – Line Control Register

(Addr = 3)

The Line Control Register (LCR) specifies the format of the asynchronous data communications exchange.

<b>Bit 7</b>	<b>Divisor Latch Access Bit (DLAB)</b> This bit must be set to a 1 to access the Divisor Latch Registers during a read or write operation. It must be reset to a 0 to access the Receiver Buffer, the Transmitter Buffer, or the Interrupt Enable Register.	
<b>Bit 6</b>	<b>Set Break</b> When bit 6 is a 1, the Transmit data is forced to the break condition, i.e., space (0) is sent. When bit 6 is a 0, break is not sent. The Set Break bit acts only on the Transmit data and has no effect on the serial in logic.	
<b>Bit 5</b>	<b>Stick Parity</b> When Parity is enabled (LCR3 = 1) and stick parity is selected (LCR5 = 1), the parity bit is transmitted and checked by the receiver as a 0 if even parity is selected (LCR4 = 1) or a 1 if odd parity is selected (LCR4 = 0). When the stick parity is not selected (LCR3 = 0), parity is transmit and checked as determined by the LCR3 and LCR4 bits.	
<b>Bit 4</b>	<b>Even Parity Select (EPS)</b> When parity is enabled (LCR3 = 1) and stick parity is not selected (LCR5 = 0), the number of 1s transmitted or checked by the receiver in the data word bits and parity bit is either even (LCR4 = 1) or odd (LCR4 = 0).	
<b>Bit 3</b>	<b>Enable Parity (PEN)</b> When bit 3 is a 1, a parity bit is generated in the serial out (transmit) data stream and checked in the serial in (receive) data stream as determined by the LCR4 and LCR5 bits. The parity bit is located between the last data bit and the first stop bit.	
<b>Bit 2</b>	<b>Number of Stop GBITS (STB)</b> This bit specifies the number of stop bits in each serial out character. If bit 2 is a 0, one stop bit is generated regardless of word length. If bit 2 is a 1 and 5-bit word length is selected, one and one-half stop bits are generated. If bit 2 is a 1 and 6-, 7-, or 8-bit word length is selected, two stop bits are generated. The serial in logic checks the first stop bit only, regardless of the number of stop bits selected.	
<b>Bit 1-0</b>	<b>Word Length Select (WLS0 and WLS1)</b> These two bits specify the number of bits in each serial in or serial out character. The encoding of bits 0 and 1 is:	
<b>Bit 1</b>	<b>Bit 0</b>	<b>Word Length</b>
0	0	5 Bits (Not supported)
0	1	6 Bits (Not supported)
1	0	7 Bits
1	1	8 Bits

**MCR – Modem Control Register****(Addr = 4)**

The Modem Control Register (MCR) controls the interface with modem or data set.

<b>Bit 7-5</b>	<b>Not used</b> Always 0
<b>Bit 4</b>	<b>Local Loopback</b> When this bit is set to a 1, the diagnostic mode is selected and the following occurs: 1. Data written to the Transmit Buffer is looped back to the Receiver Buffer. 2. The DTS (MCR0), RTS (MCR1), Out1 (MCR2), and Out2 (MCR3) modem control register bits are internally connected to the DSR (MSR5), CTS (MSR4), RI (MSR6), and DCD (MSR7) modem status register bits, respectively.
<b>Bit 3</b>	<b>Output 2</b> When this bit is a 1, HINT is enabled. When this bit is a 0, HINT is in the high impedance state.
<b>Bit 2</b>	<b>Output 1</b> This bit is used in local loopback (see MCR4).
<b>Bit 1</b>	<b>Request to Send (RTS)</b> This bit controls the Request to Send (RTS) function. When this bit is a 1, RTS is on. When this bit is a 0, RTS is off.
<b>Bit 0</b>	<b>Data Terminal Ready (DTR)</b> This bit controls the Data Terminal Ready (DTR) function. When this bit is a 1, DTR is on. When this bit is a 0, DTR is off.

**LSR – Line Status Register****(Addr = 5)**

This 8-bit register provides status information to the host concerning data transfer

<b>Bit 7</b>	<b>RX FIFO Error</b> In the 16450 mode, this bit is not used and is always 0. In the FIFO mode, this bit is set if there are one or more characters in the RX FIFO with parity error, framing error, or break indication detected. This bit is reset to a 0 when the host reads the LSR and none of the above conditions exist in the RX FIFO.
<b>Bit 6</b>	<b>Transmitter Empty (TEMT)</b> This bit is set to a 1 whenever the TX Buffer (THR) and equivalent of the Transmitter Shift Register (TRS) are both empty. It is reset to a 0 whenever either the THR or the equivalent of the TSR contains a character. In the FIFO mode, this bit is set to a 1 whenever the TX FIFO and the equivalent of the TSR are both empty.
<b>Bit 5</b>	<b>Transmitter Holding Register Empty (THRE) [TX Buffer Empty]</b> This bit, when set, indicates that the TX Buffer is empty and the modem can accept a new character for transmission. In addition, this bit causes the modem to issue an interrupt to the host when the Transmit Holding Register Empty Interrupt Enable bit (IIR1) is set to 1. The THRE bit is set to a 1 when a character is transferred from the TX Buffer. The bit is reset to 0 when a byte is written into the TX Buffer by the host. In the FIFO mode, this bit is set when the TX FIFO is empty; it is cleared when at least one byte is in the TX FIFO.
<b>Bit 4</b>	<b>Break Interrupt (BI)</b> This bit is set to a 1 whenever the received data input is a space (logic 0) for longer than two full word lengths plus 3 bits. The BI is reset when the host reads the LSR.
<b>Bit 3</b>	<b>Framing Error (FE)</b> This bit indicates that the received character did not have a valid stop bit. The FE bit is set to a 1 whenever the stop bit following the last data bit or parity bit is detected as a logic 0 (space). The FE bit is reset to a 0 when the host reads the LSR. In the FIFO mode, the error indication is associated with the particular character in the FIFO it applies to. The FE bit set to a 1 when this character is loaded into the RX Buffer.
<b>Bit 2</b>	<b>Parity Error (PE)</b> This bit indicates that the received data character in the RX Buffer does not have the correct even or odd parity, as selected by the Even Parity Select bit (LCR4) and the Stick Parity bit (LCR5). The PE bit is reset to a 0 when the host reads the LSR. In the FIFO mode, the error indication is associated with the particular character in the FIFO it applies to. The PE bit set to a 1 when this character is loaded into the RX Buffer.
<b>Bit 1</b>	<b>Overrun Error (OE)</b> This bit is set to a 1 whenever received data is loaded into the RX Buffer before the host has read the previous data from the RX Buffer. The OE is reset to a 0 when the host reads the LSR. In the FIFO mode, if data continues to fill beyond the trigger level, an overrun condition will occur only if the RX FIFO is full and the next character has been completely received.
<b>Bit 0</b>	<b>Receiver Data Ready (DR)</b> This bit is set to a 1 whenever a complete incoming character has been received and transferred into the RX Buffer. The DR bit is reset to a 0 when the host reads the RX Buffer. In the FIFO mode, the DR bit is set when the number of received data bytes in the RX FIFO equals or exceeds the trigger level specified in the FCR0-FCR1.

**MSR – Modem Status Register****(Addr = 6)**

The Modem Status Register (MSR) reports current state and change information of the modem. Bits 4-7 supply current state and bits 0-3 supply change information. The change bits are set to a 1 whenever a control input from the modem changes state from the last MSR read by the host. Bits 0-3 are reset to 0 when the host reads the MSR or upon reset.

Whenever bits 0, 1, 2, or 3 are set to a 1, a Modem Status Interrupt (IIR0-IIR3 = 0) is generated.

<b>Bit 7</b>	<b>Data Carrier Detect (DCD)</b> This bit indicates the logic state of the DCH# (RLSD#) output. If Loopback is selected (MCR4 = 1), this bit reflects the state of the Out2 bit in the MCR (MCR3).
<b>Bit 6</b>	<b>Ring Indicator (RI)</b> This bit indicates the logic state of the RI# output. If Loopback is selected (MCR4 = 1), this bit reflects the state of the Out1 bit in the MCR (MCR2).
<b>Bit 5</b>	<b>Data Set Ready (DSR)</b> This bit indicates the logic state of the DSR# output. If Loopback is selected (MCR4 = 1), this bit reflects the state of the DTR in the MCR (MCR0).
<b>Bit 4</b>	<b>Clear to Send (CTS)</b> This bit indicates the logic state of the CTS# output. If Loopback is selected (MCR4 = 1), this bit reflects the state of the RTS bit in the MCR (MCR1).
<b>Bit 3</b>	<b>Delta Data Carrier Detect (DDCD)</b> This bit is set to a 1 when the DCD bit changes state since the host last read the MSR.
<b>Bit 2</b>	<b>Trailing Edge of Ring Indicator (TERI)</b> This bit is set to a 1 when the RI bit changes from a 1 to a 0 state since the host last read the MSR.
<b>Bit 1</b>	<b>Delta Data Set Ready (DDSR)</b> This bit is set to a 1 when the DSR bit has changed since the host last read the MSR.
<b>Bit 0</b>	<b>Delta Clear to Send (DCTS)</b> This bit is set to a 1 when the CTS bit has changed since the MSR the host last read the MSR.

**RBX – RX Buffer (Receiver Buffer Register)****(Addr = 0, DLAB = 0)**

The RX Buffer (RBR) is a read-only register at location 0 (with DLAB = 0). Bit 0 is the least significant bit of the data and is the first bit received.

**THR – TX Buffer (Transmitter Holding Register)****(Addr = 0, DLAB = 0)**

The TX Buffer (THR) is a write-only register at address 0 when DLAB = 0. Bit 0 is the least significant bit and the first bit sent.

**SCR – Scratch Register****(Addr = 7)**

The Scratchpad Register is a read-write register at location 7. This register is not used by the modem and can be used by the host for temporary storage.

**Divisor Registers****(Addr = 0 and 1, DLAB = 1)**

The Divisor Latch LS (least significant byte) and Divisor Latch MS (most significant byte) are two read-write registers at locations 0 and 1 when DLAB = 1, respectively.

The baud rate is selected by loading each divisor latch with the appropriate hex value.

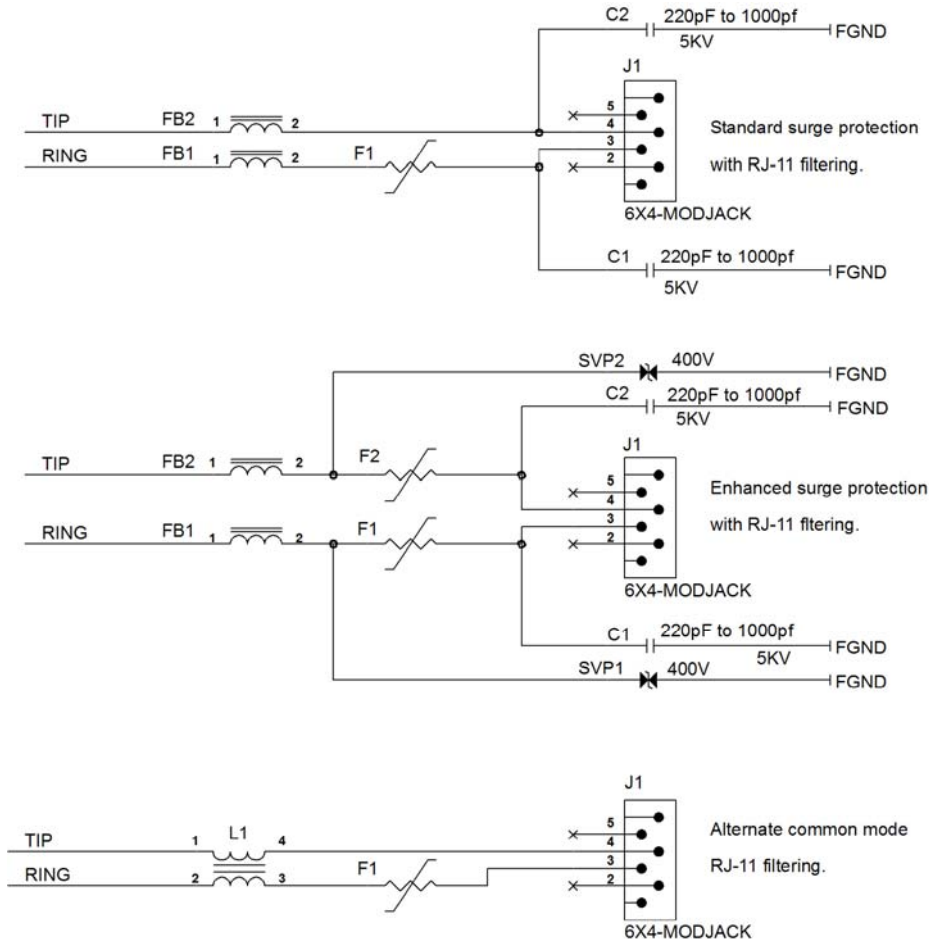
Programmable values corresponding to the desired baud rate are listed in Table on following page.

Divisor Latch (Hex)		Divisor (Decimal)	Baud Rate
MS	LS		
06	00	1536	75
04	17	1047	110
03	00	768	150
01	80	384	300
00	C0	192	600
00	60	96	1200
00	30	48	2400
00	18	24	4800
00	0C	12	9600
00	06	6	19200
00	04	4	28800
00	03	3	38400
00	02	2	57600
00	01	1	115600
00	00	NA	230400

**Programmable Baud Rates**

# Application Notes

## Tip and Ring Interface



**OEM Motherboard**

**Filtering and Surge Protection Options**

See *Design Considerations* and *Recommended Parts* in Chapter 1.

Comment [DAR61]: Tip\_and\_Ring\_New\_2008.png

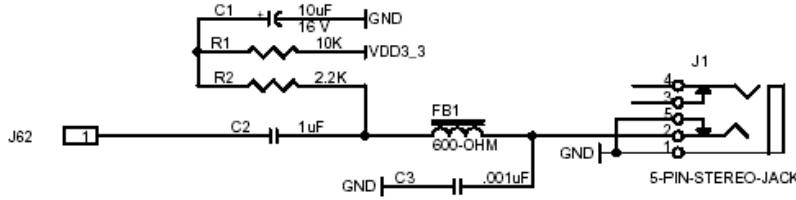
### Recommended Uses for Filtering Options

- **Enhanced Surge Protection with RJ-11 Filtering**  
Use this option when additional lightning protection may be needed.
- **Alternate Common Mode with RJ-11 Filtering**  
Use this option when your design has common mode emission issues.

## Microphone and Speaker

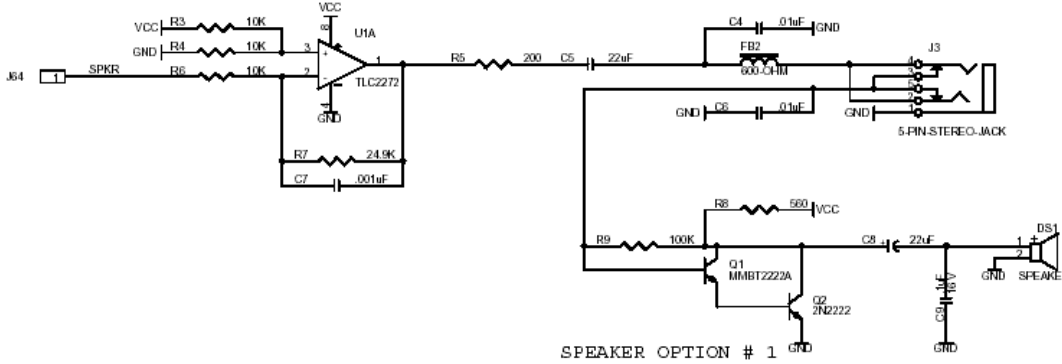
Note: Applies to the MT5692SMI Voice only.

### Microphone Input Option



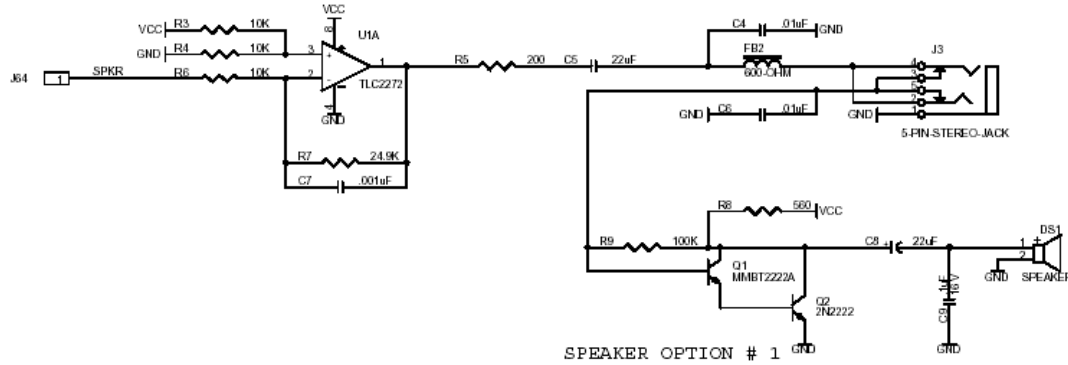
Comment [DAR62]: Filtering-mic-option.png filed under Universal\_SocketModem\Graphics\Mike\_Z\_Filtering\_Drawings

### Speaker Output Option 1

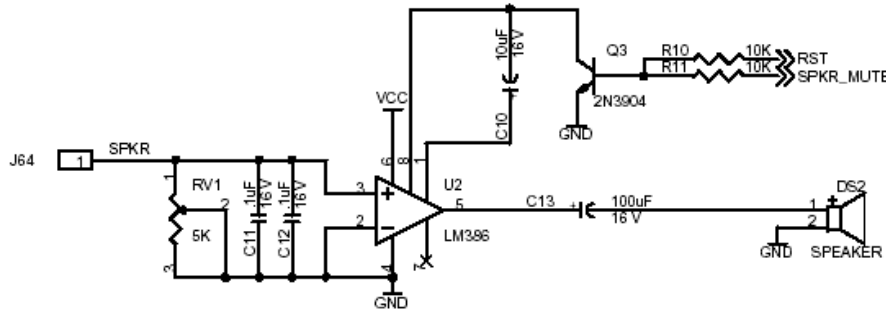


Comment [DAR63]: Filtering-Speaker1.png filed under Universal\_SocketModem\Graphics\Mike\_Z\_Filtering\_Drawings

### Speaker Output Option 2



Comment [DAR64]: Filtering-Speaker1.png filed under Universal\_SocketModem\Graphics\Mike\_Z\_Filtering\_Drawings



### Differences between Speaker 1 Example and Speaker 2 Example

Speaker 1 does not have an amplifier while Speaker 2 does.

**Specifications for the Microphone Input**

<b>Impedance</b>	>70K ohms
<b>AC Input Voltage Range</b>	1.1V P-P
<b>Reference Voltage</b>	1.35V

**Specifications for the Speaker Output from the Codec**

<b>Minimum Load</b>	300 $\Omega$
<b>Maximum Capacitive Load</b>	0.01 $\mu$ F
<b>Output Impedance</b>	10 $\Omega$
<b>AC Output Voltage Range</b>	1.4V P-P
<b>Reference voltage</b>	+1.35 VDC
<b>DC Offset Voltage</b>	$\pm$ 20 mV

**Speaker Output**

The speaker output from the codec is coupled to the speaker pin (64) through a 1 $\mu$ F cap and a 33 ohm resistor. The speaker pin is shared with the call progress monitor which is a digital I/O pin on the DSP that is coupled to the speaker pin through a 1 $\mu$ F and 3.9K.

**Comment [DAR65]:** This text came from the Conexant Codec data sheet, document CX20437, page 44.



## Chapter 8 – SocketModem® (MT2492SMI)

### Introduction

The Multi-Tech SocketModem MT2492SMI-xx utilizes the LSI CVxx Controller Based Modem Devices and the LSI CSP104 Silicon Direct Access Arrangement (DAA) to form a 2-chip complete embedded modem. This solution includes a DSP data pump, modem controller, on-chip RAM and ROM, codec, DAA, analog output, and 24.576 MHz clock input.

The modem accepts standard modem AT commands and provides connect rates up to 56 Kbps full-duplex over the Public Switched Telephone Network (PSTN) and features a complete set of modem protocols including all ITU-T standard formats up to V.92.

To provide the most flexibility, the CVxx modem system-side device provides numerous additional features for embedded modem applications. It includes call progress monitoring through standard result codes, error correction, data compression, autobaud, and fast connect modes. In addition, because the CVxx modem integrates the DAA, analog features (such as line-in use and over current detection) are included.

This device is ideal for embedded modem applications due to its simple host interface, small board space, and low power consumption.

### Product Build Options and Ordering Information

Product	Description	Region	Order this Product ✓
MT2492SMI-92	V.92 Serial Data 5V	Regional	
MT2492SMI-34	V.34 Serial Data 5V	Regional	
MT2492SMI-22	V.22bis Serial Data 5V	Regional	
MT2492SMI-L-92	V.92 Serial Data 3.3V	Regional	
MT2492SMI-L-34	V.34 Serial Data 3.3V	Regional	
MT2492SMI-L-22	V.22bis Serial Data 3.3V	Regional	
<b>Telecom Label</b>			
MT2492SMI-LS	MT2492SMI-Regulatory Label	Regional	
<b>Developer Kit</b>			
MTSMI-UDK	Universal Developer Kit	Regional	

#### How to Read the Product Codes in the Table Above:

- 92** V.92/56K data rate
- 34** V.34/33.6K data rate
- 22** V.22bis data rate
- L** 3.3 Volt Build
- LS** Telecom Label
- UDK** Universal Developer Kit

#### Other Product Codes:

The complete product code may end in **.Rx**. For example, MT2492SMI-92.Rx.  
 "R" indicates product revision. "x" is the revision number.

### AT Commands Reference Guide

Product	Reference Guides Title and Document Product Number	Fax Commands	Voice Commands
<b>SocketModem (MT2492SMI)</b>	SocketModem MT2492SMI AT Commands Reference Guide ( <b>S000435x</b> )	NA	NA

## Technical Specifications

The SocketModem (MT2492SMI) meets the following specifications:

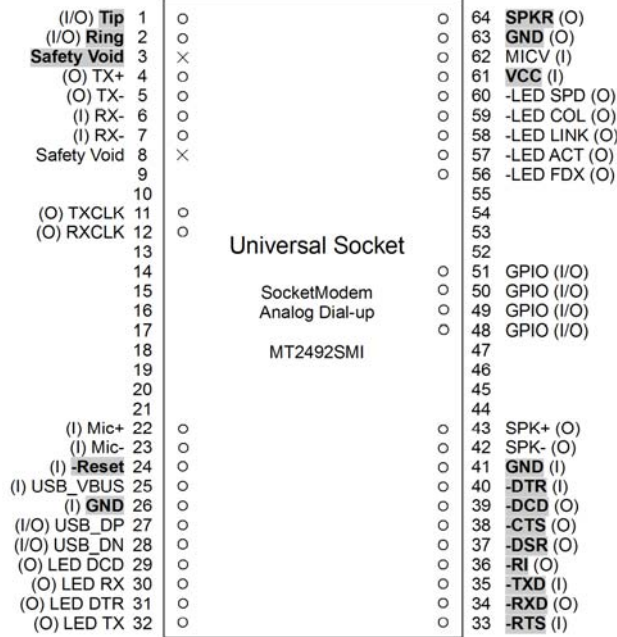
Category	Description
<b>Data Standards</b>	V.92, V.90, V.34, V.29, V.22bis, V.22, V.23, V.21; Bell 212A & Bell 103
<b>Data Format</b>	Serial, asynchronous
<b>Character Format</b>	10 bit
<b>Serial/Data Speeds</b>	Serial port data rates adjustable to 300, 1200, 2400, 4800, 9600, 19,200, 38,400, 57,600, and 115,200
<b>Client-to-Client Data Rates</b>	33,600, 31,200, 28,800, 26,400, 24,000, 21,600, 19,200, 16,800 bps 14,400, 12,000, 9600, 7200, 4800 bps 2400, 1200, 0-300 bps
<b>Data Error Correction</b>	V.42 (LAP-M or MNP 2-4)
<b>Data Compression</b>	V.42bis, MNP 5
<b>Modes of Operation</b>	Full duplex over dial-up lines; data mode, command mode, and online command mode
<b>Weight</b>	0.6 oz. (0.017 kg.)
<b>Operating Temperature</b>	0 to +70° C
<b>Storage Temperature</b>	-10° to +85° C
<b>Humidity</b>	20% to 90% (non-condensing)
<b>Operating Voltage</b>	Typical: 3.3VDC $\pm$ 5%; Absolute Maximum Supply Voltage: 3.6VDC Typical: 5VDC $\pm$ 5%; Absolute Maximum Supply Voltage: 5.25VDC
<b>Power Measurements</b>	<b>3.3 Volt:</b> Typical: 86mA (.283W @ 3.3VDC) Maximum: 96mA (.345W @ 3.6VDC) <b>5 Volt:</b> Typical: 88.5mA (.442W @ 5VDC) Maximum: 94.8mA (.498W @ 5.25VDC) <b>Note:</b> Multi-Tech Systems, Inc. recommends that the customer incorporate a 10% buffer into their power source when determining product load.
<b>Transmit Sensitivity</b>	-12 dBm (varies by country)
<b>Receiver Sensitivity</b>	-40 dBm (-43 dBm under worst case conditions)
<b>DAA Isolation</b>	1.5Kv r.m.s. or 2121 VDC at working voltage of 250VAC
<b>Flow Control</b>	XON/XOFF (software), RTS/CTS (hardware)
<b>Command Buffer</b>	50 characters
<b>Certifications &amp; Approvals</b>	<b>Safety Certifications</b> UL/cUL 60950-1 EN 60950-1 AS/NZS 60950:2000 CCC <b>EMC Approvals</b> FCC Part 15 (Class B) Canadian EMC (Class B) EN 55022 (Class B) EN 55024
<b>Warranty</b>	2 years
<b>Intelligent Features</b>	TIA-602 AT command compatible AT command set support Supports V.80 Line polarity reversal detection Line current loss detection Line-in-use detection during on-hook operation Extension pickup detection "Bell Core Type 1" Caller ID Autodial, redial Pulse or tone dial Auto answer

## SocketModem Pin Out

The **MT2492SMI** SocketModem with a serial interface provides an on-board DAA with tip and ring connections, audio circuit for call-progress monitoring and serial interface via logic level signals.

**Note:** The **bolded, shaded pins** are active MT2492SMI pins.

Comment [DAR66]: Pin Out\_MT2492SMI.FH9 & .png



Top View  
Serial SocketModem Pin Out

For pin descriptions, see the Universal Pin Out Description in Chapter 1.

## DC Electrical Characteristics

### 3.3V Serial SocketModem

3.3VDC Characteristics (VDD = 3.3V ± 0.3V) VDDMAX = 3.6V

Inputs	Input High	Input Low	
-DTR (40), -TXD (35), -RTS (33), -RESET (24)	Min 2.0V	Max 0.8V	
Outputs	Output High	Output Low	
-DCD (39), -CTS (38), -DSR (37), -RI (36), -RXD (34) 2mA, Z <sub>INT</sub> = 120 Ω	Min 2.4V	Max 0.4V	
<b>Digital Input Capacitance</b>			<b>50pF</b>

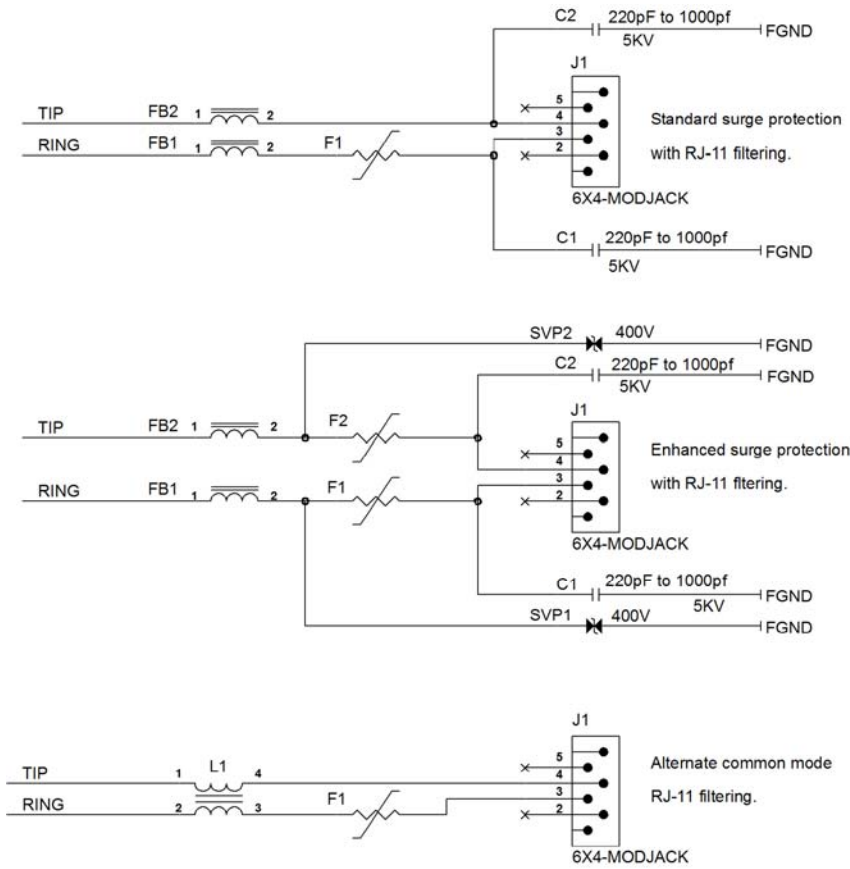
### 5V Serial SocketModem

5VDC Characteristics (VDD = 5V ± 0.25V) VDDMAX = 5.25V

Inputs	Input High	Input Low	
-DTR (40), -TXD (35), -RTS (33), -RESET (24)	Min 2.0V	Max 0.8V	
Outputs	Output High	Output Low	
-DCD (39), -CTS (38), -DSR (37), -RI (36), -RXD (34) 2mA, Z <sub>INT</sub> = 120 Ω	Min 2.4V	Max 0.4V	
<b>Digital Input Capacitance</b>			<b>50pF</b>

## Application Notes

### Tip and Ring Interface



#### OEM Motherboard

#### Filtering and Surge Protection Options

See *Design Considerations and Recommended Parts* in Chapter 1.

#### Recommended Uses for Filtering Options

- **Enhanced Surge Protection with RJ-11 Filtering**  
Use this option when additional lightning protection may be needed.
- **Alternate Common Mode with RJ-11 Filtering**  
Use this option when your design has common mode emission issues.

Comment [DAR67]: New Tip and Ring 2008

Comment [DAR68]: Filtering\_MT2492SMI\_RJ11-Filtering\_b\_MikeZ.bmp

Comment [DAR69]: Tip\_and\_Ring\_3<sup>rd</sup>\_section.png  
Stored under CurrentProj\_Universal Guide (for Rev-G. Copied from Tip\_and\_Ring\_New\_fromMikeZ\_Schematic1\_Page1\_border\_removed.FH9  
Will be moved with Rev G material.

Comment [DAR70]: Tip\_and\_Ring\_New\_2008.png Rev. I

## Chapter 9 – SocketModem (MT2456SMI-22)

### Introduction

The Multi-Tech SocketModem supports analog data modem operation with V.22bis Fast Connect, V.42bis data compression, and V.80 synchronous access mode. The SocketModem is a space-efficient (1" x 2.5"), embedded modem that is ready-to-integrate into your applications; therefore, dramatically reducing development time and costs for system designers.

The MT2456SMI-22 SocketModem is a standard 20-pin modem used for integrating data communications. It is a single-port 5V or 3.3V modem that integrates a modem controller, DSP, and DAA in a 1" x 2.5" form factor and communicates to a host controller via an asynchronous serial interface.

### Product Ordering Information

Product	Description	Region	Order this Product ✓
MT2456SMI-22	V.22bis Serial Data 5V	Global	
MT2456SMI-L-22	V.22bis Serial Data 3.3V	Global	
<b>Telecom Label</b>			
MT2456SMI-LS	MT2456SMI-Global Regulatory Label	Global	
<b>Developer Kit</b>			
MTSMI-UDK	Universal Developer Kit	Global	

#### How to Read the Product Codes in the Table Above:

22 V.22bis  
L 3.3 Volt Build  
LS Telecom Label  
UDK Universal Developer Kit

#### Other Product Codes:

The complete product code may end in .Rx. For example, MT2456SMI-22.Rx.  
"R" indicates product revision. "x" is the revision number.

### AT Commands Reference Guide

Product	Reference Guides Title and Document Product Number	Fax Commands	Voice Commands
<b>SocketModem (MT2456SMI-22)</b>	MT2456SMI-22 AT Commands Reference Guide (S000281x)	NA	NA

## Technical Specifications

The SocketModem (MT2456SMI-22) meets the following specifications:

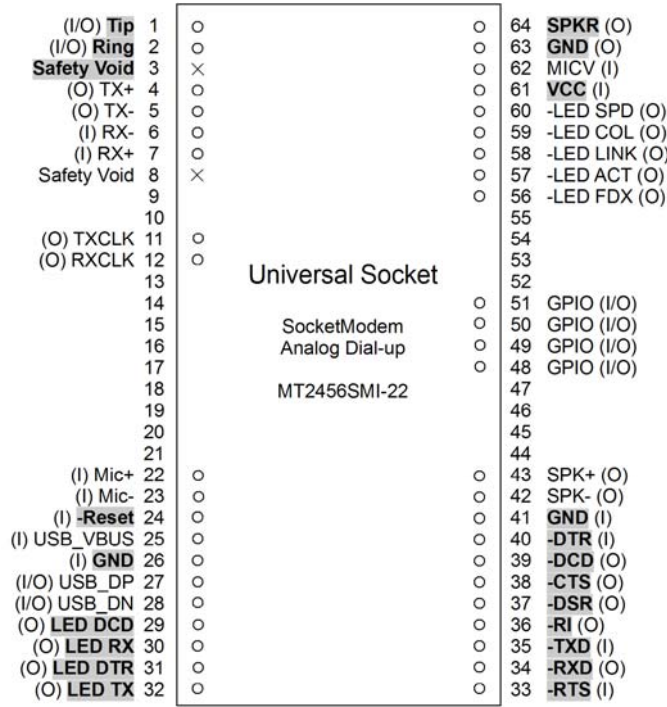
Category	Description												
<b>Data Standards</b>	V.22bis, V.22; Bell 212A and 103												
<b>Data Format</b>	Serial, asynchronous												
<b>Character Format</b>	10 bit												
<b>Serial/Data Speeds</b>	Serial port data rates adjustable to 300, 1200, 2400, 4800, 9600, 19,200, 38,400, 57,600, and 115,200												
<b>Client-to-Client Data Rates</b>	2400, 1200, 0-300 bps												
<b>Data Error Correction</b>	V.42 (LAP-M or MNP 2-4)												
<b>Data Compression</b>	V.42bis												
<b>Modes of Operation</b>	Full duplex over dial-up lines; data mode, command mode, and online command mode												
<b>Weight</b>	0.6 oz. (0.017 kg.)												
<b>Operating Temperature</b>	0 to +70° C												
<b>Storage Temperature</b>	-40° to +85° C												
<b>Humidity</b>	20% to 90% (non-condensing)												
<b>Operating Voltage</b>	Typical: 3.3 V DC $\pm$ 5%; Absolute Maximum Supply Voltage: 3.6 V DC Typical: 5 V DC $\pm$ 5%; Absolute Maximum Supply Voltage: 5.5 V DC												
<b>Power Consumption</b>	<table border="1"> <thead> <tr> <th>Source Voltage</th> <th>Maximum</th> <th>Idle</th> <th>Typical</th> </tr> </thead> <tbody> <tr> <td>3.3VDC</td> <td>64mA</td> <td>59.6mA</td> <td>62mA</td> </tr> <tr> <td>5VDC</td> <td>68mA</td> <td>60ma</td> <td>61mA</td> </tr> </tbody> </table>	Source Voltage	Maximum	Idle	Typical	3.3VDC	64mA	59.6mA	62mA	5VDC	68mA	60ma	61mA
Source Voltage	Maximum	Idle	Typical										
3.3VDC	64mA	59.6mA	62mA										
5VDC	68mA	60ma	61mA										
<b>Transmit Sensitivity</b>	-12 dBm (varies by country)												
<b>Receiver Sensitivity</b>	-43 dBm												
<b>DAA Isolation</b>	1.5Kv r.m.s. or 2121 VDC at working voltage of 250VAC												
<b>Flow Control</b>	XON/XOFF (software), RTS/CTS (hardware)												
<b>Command Buffer</b>	50 characters												
<b>Warranty</b>	2 years												
<b>Intelligent Features</b>	AT command compatible V.22bis fast connect Supports V.80 Supports Fast POS 9600 Line polarity reversal detection Line current loss detection Line-in-use detection Extension pickup detection Remote hang-up detection Call waiting detection "Bell Core Type 1" Caller ID Autodial, redial Pulse or tone dial Auto answer Call status display												

## SocketModem Configuration

### Serial Configuration

The **MT2456SMI-22** SocketModem with a serial interface uses a 20-pin interface to provide an on-board DAA with tip and ring connections, audio circuit for call-progress monitoring and serial interface via logic level signals.

**Note:** The **bolded, shaded pins** are active MT2456SMI-22 pins.



Top View

Serial SocketModem Pinout

Comment [DAR711]: 2456SMI.png

For pin descriptions, see the *Universal Pinout Descriptions* in Chapter 1.

## Electrical Characteristics

### 3.3V Serial SocketModem

3.3VDC Characteristics (VDD = 3.3V ± 0.3V) VDDMAX = 3.6V

Inputs	Input High	Input Low	
-DTR (40), -TXD (35), -RTS (33), -RESET (24)	Min 2.0V	Max 0.8V	
Outputs	Output High	Output Low	
-DCD (39), -CTS (38), -DSR (37), -RI (36), -RXD (34) 2mA, Z <sub>INT</sub> = 120 Ω	Min 2.4V	Max 0.4V	
<b>Digital Input Capacitance</b>			<b>50pF</b>

### 5V Serial SocketModem

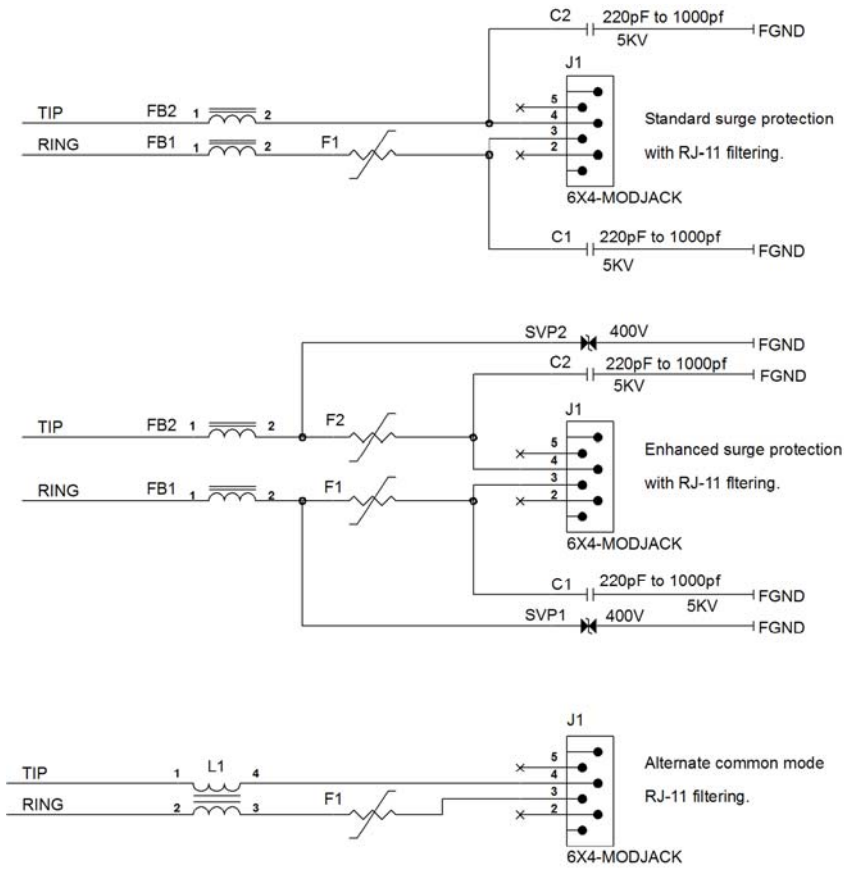
5VDC Characteristics (VDD = 5V ± 0.25V) VDDMAX = 5.25V

Inputs	Input High	Input Low	
-DTR (40), -TXD (35), -RTS (33), -RESET (24)	Min 2.0V	Max 0.8V	
Outputs	Output High	Output Low	
-DCD (39), -CTS (38), -DSR (37), -RI (36), -RXD (34) 2mA, Z <sub>INT</sub> = 120 Ω	Min 2.4V	Max 0.4V	
<b>Digital Input Capacitance</b>			<b>50pF</b>



## Applications Notes

### Tip and Ring Interface



Comment [DAR72]: Tip\_and\_Ring\_New\_2008.png Rev. I

### OEM Motherboard

#### Filtering and Surge Protection Options

See *Design Considerations* and *Recommended Parts* in Chapter 1.

# *Part 4*

## *Embedded Device Servers*

**Chapter 10 - SocketEthernet IP (MT100SEM-IP)**

**Chapter 11 - SocketWireless Wi-Fi (MT810SWM-IP)**

**Chapter 12 - SocketWireless Bluetooth (MTS2BTSMI)**

# Chapter 10 – SocketEthernet IP® (MT100SEM-IP)

## Introduction

The **SocketEthernet IP®** (MT100SEM-IP) device server connects serial devices to an IP network for remote monitoring, control and configuration. The space efficient communications device (1" x 2.5") integrates Multi-Tech's Universal IP™ protocol stack and a serial-to-Ethernet interface into a single, universal socket design. The SocketEthernet IP can make your existing and next generation device, machine or system, IP-ready while you focus on developing its core features.

## Product Build Options and Ordering Information

Product	Description	Region	Order this Product ✓
<b>MT100SEM-IP</b>			
MT100SEM-IP	Embedded Serial-to-Ethernet Device Server with Universal IP™ – 5V	Global	
MT100SEM-L-IP	Embedded Serial-to-Ethernet Device Server with Universal IP™ – 3.3V	Global	
MT100SEM-L-HV-IP	Embedded Serial-to-Ethernet Device Server with High Voltage Dielectric Isolation (EN60601) and Universal IP™ – 5V	Global	
<b>Developer Kit</b>			
MTSMI-UDK	Universal Developer Kit	Global	

**How to Read the Product Codes in the Table Above:**

- IP      Universal IP™ Stack
- L      3.3 Volt
- HV     High Voltage Dielectric Isolation (EN60601)
- UDK    Universal Developer Kit

**Other Product Codes:**

The complete product code may end in .Rx. For example, MT100SEM-L-IP.Rx  
 "R" indicates product revision. "x" is the revision number.

## AT Commands Reference Guide

Product	Reference Guides Title and Document Product Number	Fax Commands	Voice Commands
<b>Serial-to-Serial Device Server (MT100SEM-IP)</b>	Multi-Tech Universal IP AT Commands (S000426x)	NA	NA

## Technical Specifications

The SocketEthernet IP (MT100SEM-IP) meets the following specifications:

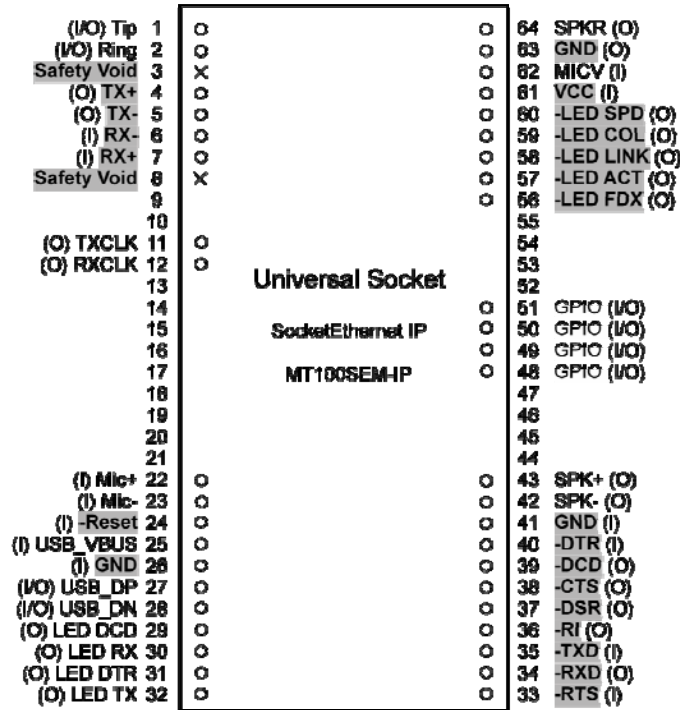
Category	Description
<b>Interfaces</b>	10/100BaseT Ethernet, Asynchronous Serial
<b>Serial Character Format</b>	8N1 (Data, Parity, and Stop bits are configurable)
<b>Serial/Data Speeds</b>	300 to 921600 bps
<b>Ethernet Data Speeds</b>	10MB or 100MB
<b>Physical Description</b>	2.541" L x 1.045" W x 0.680" H; 0.6 oz. (6.45 cm x 2.65 cm x 1.7 cm; 0.017 kg.)
<b>Operating Temperature</b>	0° to +70° C
<b>Storage Temperature</b>	-40° C to +85° C
<b>Humidity</b>	20% to 90% (non-condensing)
<b>Operating Voltage</b>	5VDC or 3.3VDC
<b>Power Measurements</b>	See the Power Measurements table.
<b>Flow Control</b>	RTS/CTS (hardware)
<b>Network Protocols Supported</b>	ARP, DHCP client, DNS client, FTP, ICMP (ping), IP, POP3, SMTP, TCP, Telnet server, UDP
<b>Management</b>	Serial Telnet Web-based configuration
<b>Certifications &amp; Approvals</b>	<p><b>Safety Certifications</b></p> <ul style="list-style-type: none"> <li>UL 60950</li> <li>cUL 60950</li> <li>EN 60950</li> <li>AS/NZS 60950:2000</li> </ul> <p><b>Safety Certifications for High Voltage Build</b></p> <ul style="list-style-type: none"> <li>UL 60601-1</li> <li>EN 60601-1</li> </ul> <p><b>EMC Approvals</b></p> <ul style="list-style-type: none"> <li>FCC Part 15 Class B</li> <li>Canada Class B</li> <li>EN 55022 Class B</li> <li>EN 55024</li> </ul>
<b>Warranty</b>	2 years
<b>Intelligent Features</b>	Complete serial-to-Ethernet connectivity solution including network processor, media access controller and physical interface. AT Command compatible LED driver outputs for visual monitoring speed, link, activity, collision and duplex mode Half duplex or full duplex support on the LAN interface Central site setup and control of the remote communications device. Flash memory to update firmware with the latest enhancements

Comment [DAR73]: From Dustin 6/24/09

## SocketEthernet IP Pin Out

The SocketEthernet IP uses a 22-pin interface to provide an on-board Ethernet media access controller, an Ethernet physical layer (without the RJ-45 jack), an LED driver for Ethernet monitoring, and a serial interface.

**Note:** The shaded, bolded pins are SocketEthernet IP active pins.



Top View

SocketEthernet IP MT100SEM-IP Pin Out

Comment [DAR74]: M100SEM.png

For pin descriptions, see the *Universal Pin Out Descriptions* in Chapter 1.

## DC Electrical Characteristics

### 3.3V Serial

3.3VDC Characteristics (VDD = 3.3V ± 0.3V) VDDMAX = 3.6V

Parameter	Minimum	Maximum	
<b>Input Low Level</b> -DTR (40), -TXD (35), -RTS (33), -RESET (24) <b>Note: These inputs are 5 volt tolerant</b>	-0.3V	0.8V	
<b>Input High Level</b> -DTR (40), -TXD (35), -RTS (33), -RESET (24) <b>Note: These inputs are 5 volt tolerant</b>	Min 2.52V	VDD	
<b>Output Low Level</b> -DCD (39), -CTS (38), -DSR (37), -RI (36), -RXD (34)	NA	0.4V	<b>Current Drive</b> 2mA
<b>Output High Level</b> -DCD (39), -CTS (38), -DSR (37), -RI (36), -RXD (34)	Min. 2.3V	NA	<b>Current Drive</b> 2mA
<b>Digital Input Capacitance – 5 pF</b>			

### 5V Serial

5VDC Characteristics (VDD = 5V ± 0.25V) VDDMAX = 5.25V

Parameter	Minimum	Maximum	
<b>Input Low Level</b> -DTR (40), -TXD (35), -RTS (33), -RESET (24)	-0.3V	0.8V	
<b>Input High Level</b> -DTR (40), -TXD (35), -RTS (33), -RESET (24)	2.52V	VDD	
<b>Output Low Level</b> -DCD (39), -CTS (38), -DSR (37), -RI (36), -RXD (34)	NA	0.4V	<b>Current Drive</b> 2mA
<b>Output High Level</b> -DCD (39), -CTS (38), -DSR (37), -RI (36), -RXD (34)	2.3V	NA	<b>Current Drive</b> 2mA
<b>Digital Input Capacitance – 5 pF</b>			

## Power\* Measurements

### MT100SEM-IP Measured Power at Input Voltage 5.00

	Sleep	Typical	Maximum
<b>Current (AMPS)</b>	0.187	0.187	0.194
<b>Watts</b>	0.935	0.935	.97

### MT100SEM-IP Measured Power at Input Voltage 3.3

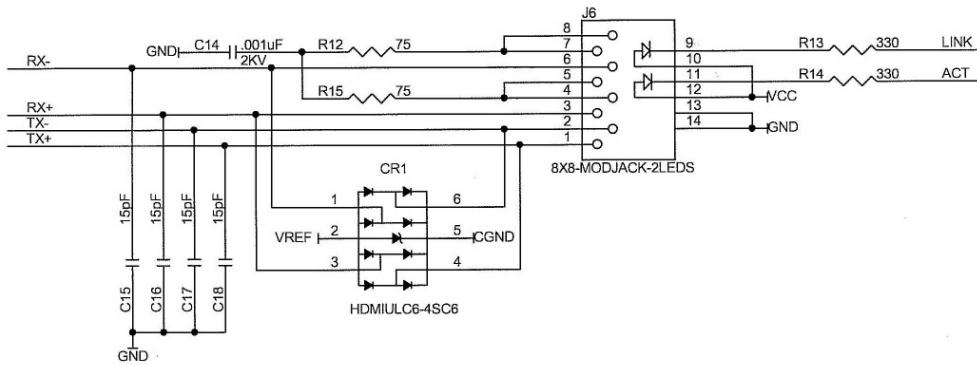
	Sleep	Typical	Maximum
<b>Current (AMPS)</b>	NA	0.137	0.168
<b>Watts</b>	NA	0.411	0.504

\* Multi-Tech Systems, Inc. recommends that the customer incorporate a 10% buffer into their power source when determining product load.

## Application Notes

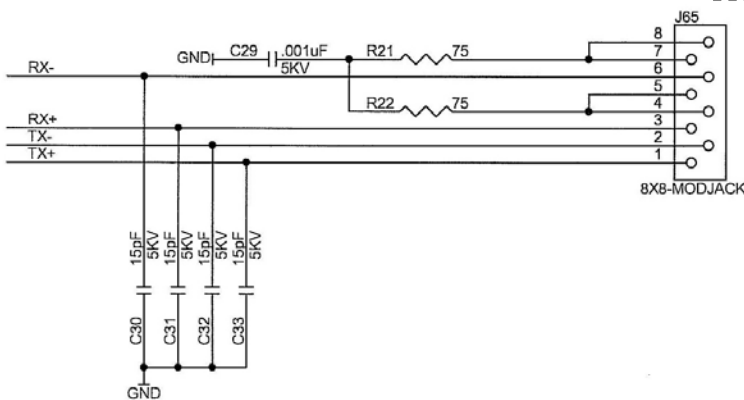
### Ethernet Interface - Non-Isolated Design

**Note:** VREF stands for Power in this drawing.



**Comment [DAR75]:** MT100SEM IP Non Isolated Scan0578\_000.jpg 97KB jpg was smaller than png. Filed under CurrentProj\_Universal\_Guide\_2009\_Rev\_JGraphics

### Ethernet Interface - Isolated Design



**Comment [DAR76]:** MT100SEM IP Isolated Scan0579\_000.jpg (jpg was smaller than png) 169KB. Filed under CurrentProj\_Universal\_Guide\_2009\_Rev\_JGraphics

#### Isolated Design Application Note

The MT100SEM-L-HV-IP was designed to meet Basic Isolation at 240Vac according to the international medical directive for safety (EN60601-1). The recommended components for an isolated design comply with the same standard.

### Recommended Parts

#### Recommended Capacitors for a Non-Isolated Design:

Manufacturer – NIC Components Corp.  
Part Number – NMC0603NPO150J50TRPF

#### Recommended Safety Rated Capacitors for an Isolated Design:

The recommended capacitors are Y2 rated and meet supplementary isolation at 240Vac along with the required creepages and clearances.

Manufacture – NOVACAP  
Part Number – ES2211N(value)K502NXT

#### Recommended Resistor:

The resistors are 75 ohms 1/8 watt.

**Recommended Ethernet Modular Jack:** The recommended jack is an eight contact, eight position, unshielded and ungrounded connector that will maintain the need isolation and spacing requirements. A shielded and grounded connector may be used, but special consideration must be made for the isolation and spacing requirements.

Manufacture – Stewart Connector Systems  
Part Number – SS-6488-NF-K1

---

**Note:** These SocketEthernet parts are RoHS compliant.



### The Windows-Based Auto-Discovery Manager

The Auto-Discovery Manager is a mechanism for remotely monitoring the Universal IP functioning. It also provides support for configuring several key parameters, such as DHCP Status (enable/disable), IP Address, and the Host Name of an MT100SEM-IP.

The Auto-Discovery mechanism is utilized by running a Windows-based Server Application that can monitor/configure the MT100SEM-IP. Communication between the MT100SEM-IP and the Windows-based Server is through MAC level broadcasts on a configured UDP port.

**Two Ways to Use Auto Discovery:** Auto-Discovery can be performed by using AT Commands (see the Universal IP AT Commands Reference Guide – included on the Universal Kit CD) or by using the Auto-Discover Manager Software (also included on the Universal Kit CD).

### Auto-Discovery Manager Software

The Auto-Discovery Manager is composed of two components:

- **The Client Component** – The Client component periodically broadcasts its current configuration over the network.
- **The Server Component** – The Server component receives the broadcasts from the client.

#### Client Component

The Auto-Discovery Client component is integrated with MT100SEM-IP. It broadcasts its current configuration over the network on a specific UDP SERVER-PORT. By default the SERVER-PORT is set to 1020. The configuration parameters broadcast are

- Version details
- MAC Address
- Static IP Address
- DHCP Status
- DHCP Assigned IP Address
- Host Name
- Broadcast interval
- Port number on which the client listens

#### Server Component

The Server component listens on the SERVER-PORT. It receives the broadcasts from the client and updates the list of configuration parameters. This list can be viewed by the administrator through the User Interface:

**Comment [DAR77]:** Auto Discovery Screen1.jpg (jpg was smaller than png) 184KB. CurrentProj\_Universal\_Guide\_2009\_Rev\_J\Graphics\Auto Discovery for Universal

The List of Entries



Detailed Information about a Selected Entry



Log Files will display here



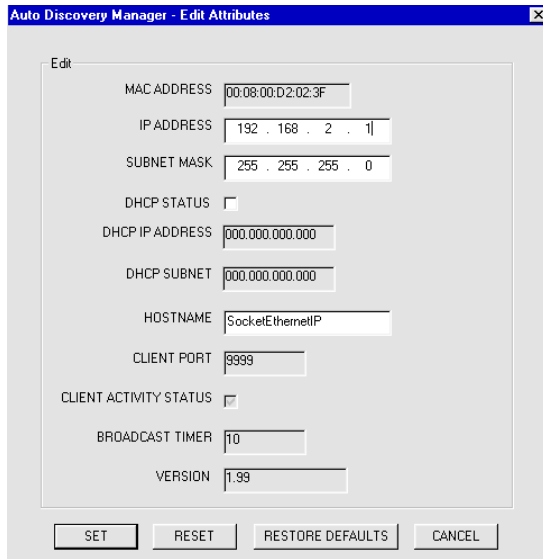
**How to View the Detailed Information**

New entries are appended to the list shown on the screen above. Only the first ten entries are displayed on the screen. However the administrator can scroll down to view more entries. Clicking on an entry displays the detailed information about that entry.

**How to Edit the List and Make the Changes Permanent**

1. Double-click on the entry you wish to edit.
2. After clicking the desired entry, a new dialog box displays showing the current configuration.

**Comment [DAR78]:** Auto Discovery Screen2.png 12KB.  
 CurrentProj\_Universal\_Guide\_2009\_Rev\_JtGraphics\Auto Discovery for Universal



3. Enter the new parameters and click the **SET** button. The server sends the modified parameters to the client.  
 Upon receiving the broadcast from the Server, the Client validates the packet. The Client determines whether the packet is destined for its own MAC Address. If so, it sets the modified parameters that are different from its current configuration, and the it broadcast the newly configured parameters.  
 The Client Status is set to **Active** upon the receipt of a broadcast packet.  
 The Client Status is made **Inactive** if there is no request from the client for a stipulated period. (3 \* periodic timer value).

**How to Set the Parameters to the Previous Configuration**

When the **RESET** button is clicked, the parameters are set to the defaults received. In other words, **RESET** is similar to **UNDO** (it sets the modifications to the previous ones).

**Saving the Log**

The logs can be saved to a file. They are spooled into the third part of the window in the main dialog box. To save the log: Select **File > Save Log As**.

# Chapter 11 – SocketWireless® Wi-Fi® (MT810SWM-IP)

## Introduction

The SocketWireless® Wi-Fi® device server connects serial devices to an IP network via 802.11b/g wireless networking. It enables you to build wireless networking into virtually any device allowing for remote monitoring, control and configuration. The space efficient communications device (1" x 2.5") integrates a complete TCP/IP protocol stack. It can make your existing and next generation device, machine or system, IP-ready while you focus on developing its core features.

## Product Build Options and Ordering Information

Product	Description	Region	Order this Product ✓
MT810SWM-IP	802.11b/g Wi-Fi Device Server with IP, 5V	Regional	
MT810SWM-L-IP	802.11b/g Wi-Fi Device Server with IP, 3.3V	Regional	
Developer Kit			
MTSMI-UDK	Universal Developer Kit	Regional	

**How to Read the Product Codes in the Table Above:**

- IP      TCP/IP Stack
- L        3.3V
- UDK    Universal Developer Kit

**Other Product Codes:**

The complete product code may end in **.Rx**. For example, MT810SWM-IP.Rx  
 "R" indicates product revision. "x" is the revision number.

## AT Commands Reference Guide

Multi-Tech Systems, Inc. provides documentation of AT Commands for each embedded module. These AT Command Reference Guides are available on the CD included in the Developer Kit and are also available by request. Send an email to [oemsales@multitech.com](mailto:oemsales@multitech.com) to request the copy you desire.

Product	Reference Guides Title and Document Product Number	Fax Commands	Voice Commands
<b>SocketWireless Wi-Fi Device Server (MT810SWM-IP)</b>	Multi-Tech's Universal IP AT Command Reference Guide ( <b>S000426x</b> )	NA	NA

## Technical Specifications

The SocketWireless Wi-Fi meets the following specifications:

Category	Description
<b>Wireless Specifications</b>	
<b>WLAN Standard</b>	IEEE 802.11b/g Wi-Fi
<b>Frequency Range</b>	2.400 to 2.484 GHz
<b>Data Rate</b>	1, 2, 5.5, 6, 9, 11, 12, 18, 24, 36, 48 & 54Mbps
<b>Maximum Transmit Power</b>	15 dBm
<b>Receiver Sensitivity</b>	-82 dBm (with PER < 8%)
<b>Security</b>	64/128 bit WEP, WPA-PSK, WPA2, WPA2-PSK
<b>Mode</b>	Ad Hoc, Infrastructure
<b>Antenna Connector</b>	UFL
<b>Serial Interface</b>	
<b>Data Format</b>	Serial, asynchronous
<b>Data Rate</b>	Software selectable: 1200 bps to 921.6K bps
<b>Data Bits</b>	7 or 8 data bits, 0 or 1 stop bits
<b>Parity</b>	Odd, even, none
<b>Flow Control</b>	RTS/CTS (Hardware), None
<b>Network Protocol Support</b>	
<b>Protocols Supported</b>	ARP, DHCP Client, DNS Client, FTP Client, ICMP (PING), IP, POP3 Client, SMTP Client, TCP Client & Server, UDP Client & Server
<b>Power Requirements*</b>	
<b>Supply Voltage</b>	3.3VDC or 5VDC
<b>Power Usage</b>	Typical – 400mA @ 3.3VDC, 240mA @ 5VDC
<b>Environmental</b>	
<b>Operating Temperature</b>	-30° to +70° C
<b>Storage Temperature</b>	-40° to +85° C
<b>Humidity</b>	20% to 90% (non-condensing)
<b>Physical Description</b>	
<b>Dimensions</b>	2.541" L x 1.045" W x 0.680" H (6.45 cm x 2.65 cm x 1.7 cm)
<b>Weight</b>	0.6 oz. (0.017 kg.)
<b>Certifications, Approvals, Warranty</b>	
<b>Certifications</b>	<b>Safety Certifications</b> UL 60950-1 cUL 60950-1 IEC 60950-1 <b>EMC Certifications</b> FCC Part 15 Subpart C Canada RSS-210 EN 300 328 EN 301 489-17
<b>Warranty</b>	Two years

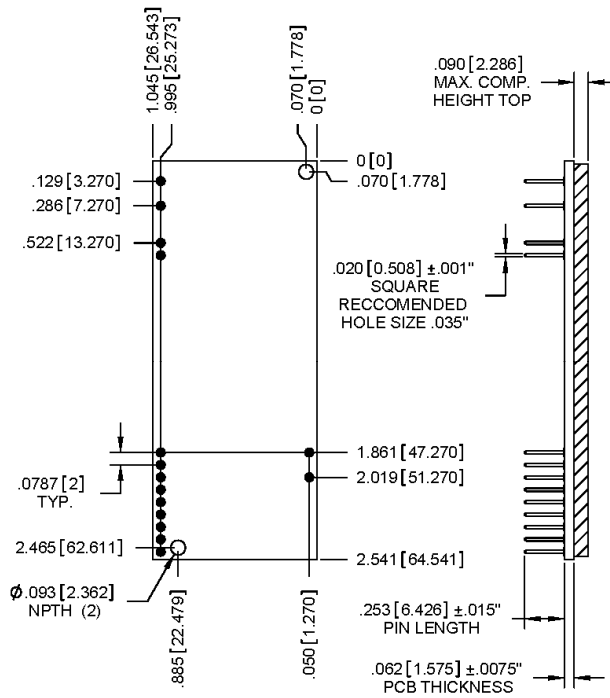
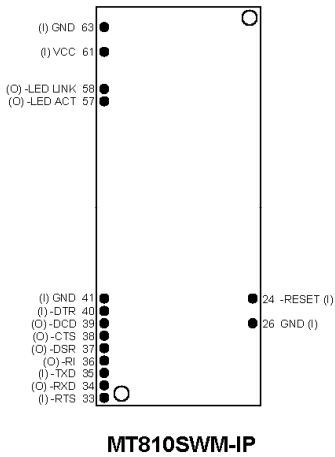
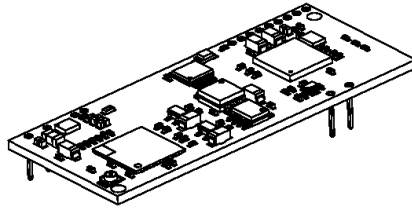
Comment [DAR79]: Updated list by Dustin for Rev. K

**Technical Specifications Continued**

<b>Intelligent Features</b>	
<b>Features</b>	Command line configuration through serial interface AT Command compatible System firmware upgraded through serial port. Over the air firmware upgrade Command line configuration through TELNET

## Mechanical Drawings

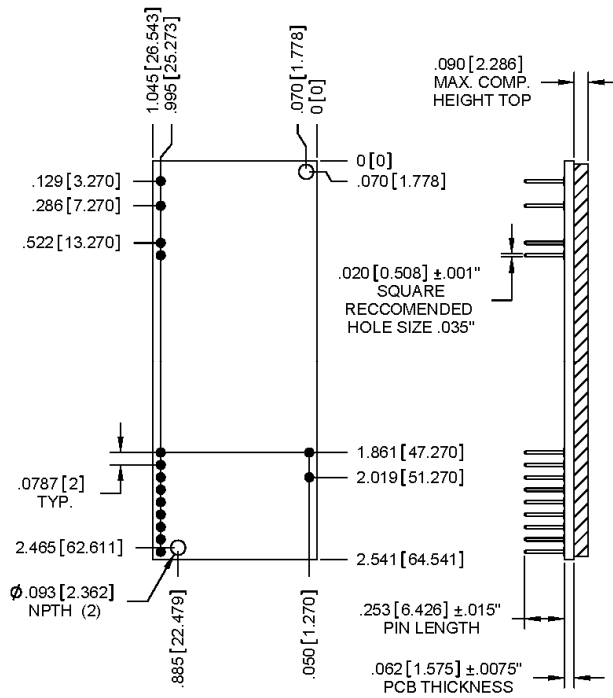
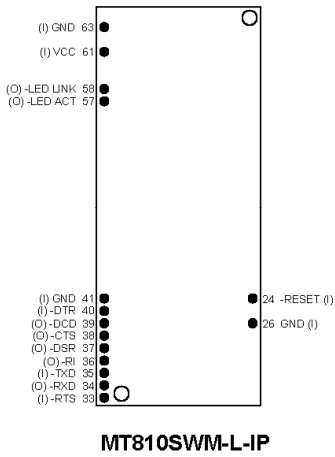
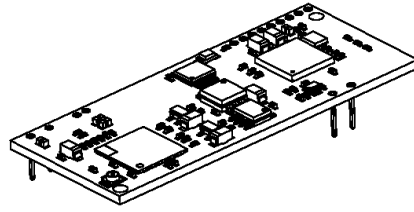
Comment [DAR80]: Vault Data 363  
-- 9/2/09



NOTES: DIMENSIONS IN In [mm]

**Mechanical Drawings**

Comment [DAR81]: Vault Data 363 -- 9/2/09



NOTES: DIMENSIONS IN In [mm]



## Operating Conditions

### In Volts

Parameter	Minimum	Maximum
Supply Range - Vcc	3.3V = 3.15	3.3V = 3.45
	5V = 4.75	5V = 5.25

## Absolute Maximum Rating

Parameter	Minimum	Maximum
Voltage at any signal pin	GND - 0.3V	Vcc + 0.3V

## DC Electrical Characteristics

For 5V and 3.3V

Parameter	Units (Volts)	
	Minimum	Maximum
Digital Signal Input Low Level	GND	0.8V
Digital Signal Input High Level	2.0V	Vcc
Digital Signal Output Low Level	NA	0.4V
Digital Signal Output High Level	2.4V	NA
Reset (Low Active) Input Low	GND	0.8V
Reset (Low Active) Input High	2.0V	Vcc
Digital Input Capacitance	5pf	

## Power Measurements\*

### MT810SWM-IP Measured Power at Input Voltage: 3.3 Volts

	Idle	Typical	Maximum
Current (AMPS)	0.057	0.180	0.260
Watts	0.182	0.531	0.764

### MT810SWM-IP Measured Power at Input Voltage: 5.00 Volts

	Idle	Typical	Maximum
Current (AMPS)	0.056	0.193	0.260
Watts	0.274	0.897	1.196

Comment [DAR82]: The voltages came from Tom Fix on Sept 25, 2009. I put in the guide on 10/16/09.

\* Multi-Tech Systems, Inc. recommends that the customer incorporate a 10% buffer into their power source when determining product load.

## Application Notes

### *RF Interface*

#### **Radio Characteristics**

<b>Frequency</b>	2402 – 2480MHz
<b>Modulation</b>	DSSS
<b>Number of Channels</b>	1 to 14
<b>Transmission Rate</b>	1, 2, 5.5, 11, 12, 18, 24, 36, 48, 54 Mbps
<b>RF Receive Sensitivity</b>	-82dBm typical
<b>RF Transmit Power</b>	15 dBm

### *Default Power Up Settings*

Baud Rate = 115200 bps  
 Data Bits = 8 bits  
 Parity = None  
 Stop bits = 1 bit  
 Hardware Flow Control RTS/CTS = Disabled

### *Antenna Requirements and Sources*

<b>Frequency Range</b>	2.4 - 2.5 GHz
<b>Impedance</b>	50 ohm nominal
<b>VSWR</b>	<2.0:1
<b>Gain</b>	5 dBi
<b>Radiation</b>	Omni
<b>Polarization</b>	Vertical
<b>Connector</b>	Reverse Polarity SMA Plug
<b>ROHS Compliant</b>	YES

#### **Antenna Source for Wi-Fi**

The antenna can be ordered from the following manufacturer:

**Aristotle Enterprises** <http://www.aristotle.com.tw/>

<b>Part Number</b>	<b>Description</b>
RFA-02-5-F7M3	2.4 GHz 5dBi Swi-Reverse-F Antenna

#### **Antenna Cable and Connector**

See Chapter 1 for Antenna System details. Note that the cable for the Wi-Fi SocketModem has a reverse polarity SMA plug.

##### **Approved Antenna Cable Parts**

GC Protronics	20930C
Samtec	ASP-116785-01
Coax Cable	RG-178/U

## **Regulatory Requirements for the Wi-Fi Antenna**

This section covers how to use the modular transmitter in order to maintain the modular transmitter approval and RF exposure compliance.

### **Conditions to Satisfy Modular Transmitter Approval**

This device is intended only for use by OEM integrators under the following 3 conditions:

1. The antenna must be installed such that 20 cm is maintained between the antenna and the end user for all installations.
2. The transmitter module may not be located with any other transmitter or antenna.
3. The communications device is approved using the FCC "unlicensed modular transmitter approval" method. Therefore, the communication device must only be used with the originally approved antennas.

As long as the 3 conditions above are met, further transmitter testing will not be required. However, the OEM integrator is still responsible for testing their end-product for any additional compliance requirements with this communication device installed (for example, digital device emissions, PC peripheral requirements, etc.)

**IMPORTANT NOTE:** In the event that any of these conditions CANNOT be met (for example certain laptop configurations, location with another transmitter, or use of a different type antenna), then the FCC authorization for the communications device is no longer considered valid and the FCC ID CANNOT be used on the final product. In these circumstances, the OEM integrator will be responsible for re-evaluating the end product (including the transmitter) and obtaining a separate FCC authorization.

### **RF Exposure Statements Developers Must Include in the User Manual for End Users**

The user manual for consumers must include the following information in a prominent location:

**IMPORTANT NOTE:** To comply with FCC RF safety exposure limits, the antenna used for this transmitter must be installed to provide a separation distance of at least 20 cm from all persons and must not be located or operating in conjunction with any other antenna or transmitter.

### **Regulatory Requirements for End Product Labeling**

#### **Suggested End Product Labeling**

This transmitter module is authorized only for use in devices where the antenna may be installed in such a way that 20 cm may be maintained between the antenna and the users (for example access points, routers, wireless ASDL modems, and similar equipment). The final end product must be labeled in a visible area on the exterior of the enclosure with the following or similar text: "Contains TX FCC ID: AU792U07B06821".

### **FCC & IC Information to Consumers**

The user manual for the consumer must contain the statements required by the following FCC and IC regulations: 47 C.F.R. 15.19(a)(3), 15.21, 15.101 and RSS-Gen Issue 2 dated June 2007, Sections 7.1.4 and 7.1.5.

### **Additional Information That Must Be Provided to OEM Integrators**

The end user should NOT be provided any instructions on how to remove or install the modular transmitter.

# Chapter 12 – SocketWireless® Bluetooth® (MTS2BTSMI)

## Introduction

The Multi-Tech Systems, Inc. SocketWireless® with Bluetooth®-enabled technology allows developers to establish wireless networks using a special set of AT commands. The SocketWireless with Bluetooth technology makes the cable-replacement transition to wireless networks seamless and easy.

This chapter explains how to establish Bluetooth communication between two serial devices for data applications in a point-to-point network. Bluetooth-enabled devices create communication-ready devices by integrating data functionality into a single, universal socket design. This complete, ready-to-integrate device dramatically reduces development time and costs for system designers.

## Notes about Byte Gaps and Data Latency

Because of the way Bluetooth is designed and operates, random byte gaps of 5 ms to 20 ms are common. Packet size will vary from transmission to transmission.

Although the serial band frequency operates up to 920K bps, effective data throughput in fast streaming mode is approximately 200K bps. Effective data throughput in regular data mode is 60K bps. The reason for the slower speed in regular mode is due to the AT parser, which looks at each character for ASCII valid command scripts in the regular mode's data stream.

The SocketWireless RX has very limited buffering, so if you do not use hardware flow control and are transmitting further distances, you will quickly overflow the 50 byte buffer because of RF retransmissions, etc.

When a Bluetooth connection is made, the SocketWireless device goes into regular data mode per the power-up factory default settings. This enables the user to configure the SocketWireless settings remotely via a remote RF Bluetooth connection. Basically, you can setup the SocketWireless device so no commands are required to be sent from the embedded side of the device. This allows seamless interfacing with legacy systems without the need to modify the host device

## Product Build Options and Ordering Information

Product	Description	Region	Order this Product
MTS2BTSMI	Embedded Serial-to-Bluetooth, C1, 5V	Global	✓
MTS2BTSMI-L	Embedded Serial-to-Bluetooth, C1, 3.3V	Global	
<b>Developer Kit</b>			
MTSMI-UDK	Universal Developer Kit	Global	

### How to Read the Product Codes in the Table Above:

- C1      Class 1 Bluetooth
- L        3.3V
- UDK     Universal Developer Kit

### Other Product Codes:

The complete product code may end in .Rx. For example, MTS2BTSMI-L.R2.  
"R" indicates product revision. "x" is the revision number.

## AT Commands Reference Guide

Product	Reference Guides Title and Document Product Number	Fax Commands	Voice Commands
<b>SocketWireless Bluetooth (MTS2BTSMI)</b>	SocketWireless Bluetooth AT Commands Reference Guide ( <b>S000360x</b> )	NA	NA

## Technical Specifications

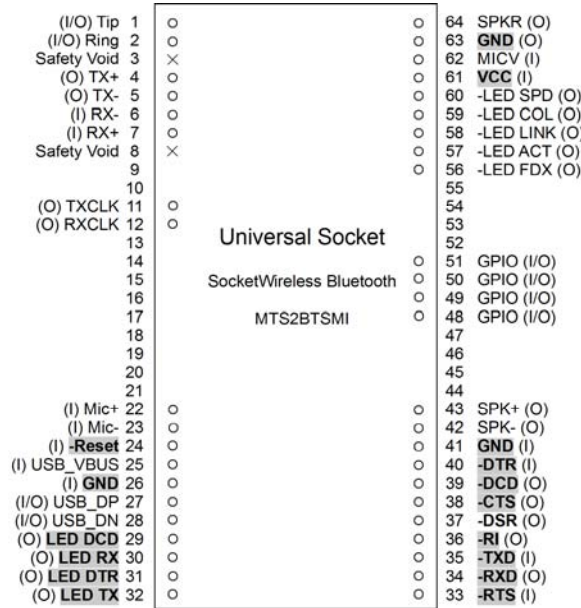
The SocketWireless Bluetooth (MTS2BTSMI) meets the following specifications:

Category	Description												
<b>Standard</b>	Class 1 Bluetooth V2.0 compliant <b>Note:</b> For Bluetooth protocol V2.0, the circuit board I/O pin 7 now controls flow control. In V1.2, circuit board I/O pin 3 controlled flow control. V2.0 now supports multipoint connections.												
<b>Frequency Range</b>	2402 to 2480 MHz (2.402 to 2.480 GHz)												
<b>Data Format</b>	For Serial Interface - Asynchronous												
<b>Serial Speeds</b>	Supports speeds from 1200 bps to 920K bps												
<b>Flow Control</b>	Hardware												
<b>Output Level (Class 1)</b>	20dBm maximum												
<b>Modes of Operation</b>	Inquiry, Idle, Data, Fast Data, Park, Sniff, Command, Master, Slave												
<b>Device Profiles</b>	Serial Port (SPP), Dial-up Network (DUN)												
<b>Buffer</b>	<b>Serial</b> 50 bytes <b>RF</b> 50-byte RX buffer												
<b>Weight</b>	0.6 oz. (0.017 kg.)												
<b>Power Measurements</b>	<table border="0"> <tr> <td><b>Idle:</b></td> <td>1.5mA @ 3.3VDC</td> <td>1.6mA @ 5VDC</td> </tr> <tr> <td><b>Master Connected:</b></td> <td>6mA @ 3.3VDC</td> <td>7mA @ 5VDC</td> </tr> <tr> <td><b>Fast Data:</b></td> <td>21mA @ 3.3VDC</td> <td>38mA @ 5VDC</td> </tr> <tr> <td><b>Master Inquiry:</b></td> <td>68mA @ 3.3VDC</td> <td>74mA @ 5VDC</td> </tr> </table> <p><b>Notes:</b> These power measurements were taken with no LEDs connected. Driving an LED through 330 ohm resistor to GND draws an additional 4mA on 5V for each LED.</p> <p><b>Note:</b> Multi-Tech Systems, Inc. recommends that the customer incorporate a 10% buffer into their power source when determining product load.</p>	<b>Idle:</b>	1.5mA @ 3.3VDC	1.6mA @ 5VDC	<b>Master Connected:</b>	6mA @ 3.3VDC	7mA @ 5VDC	<b>Fast Data:</b>	21mA @ 3.3VDC	38mA @ 5VDC	<b>Master Inquiry:</b>	68mA @ 3.3VDC	74mA @ 5VDC
<b>Idle:</b>	1.5mA @ 3.3VDC	1.6mA @ 5VDC											
<b>Master Connected:</b>	6mA @ 3.3VDC	7mA @ 5VDC											
<b>Fast Data:</b>	21mA @ 3.3VDC	38mA @ 5VDC											
<b>Master Inquiry:</b>	68mA @ 3.3VDC	74mA @ 5VDC											
<b>Operating Temperature</b>	-40° to +70° C												
<b>Storage Temperature</b>	-40° to +85° C												
<b>Humidity</b>	20% to 90% (non-condensing)												
<b>Operating Voltage</b>	5VDC or 3.3VDC Minimum and Maximum Voltage: 3.3VDC ± 0.1V & < 10mVp-p noise 5VDC ± 0.1V & < 10mVp-p noise												
<b>Certifications &amp; Approvals</b>	<p><b>Safety Certifications:</b></p> <ul style="list-style-type: none"> <li>UL 60950</li> <li>cUL 60950</li> <li>EN 60950</li> <li>AS/NZS 60950:2000</li> </ul> <p><b>EMC Approvals:</b></p> <ul style="list-style-type: none"> <li>FCC Part 15.247:2004 (subpart C)</li> <li>EN 301 489-1 V1.4.1 (2002-08)</li> </ul>												
<b>Intelligent Features</b>	<p>Can be configured, commanded, and controlled through simple ASCII strings over the Bluetooth RF link or directly through the hardware serial UART.</p> <p>Low power consumption.</p> <p>Secure and robust communication link.</p> <ul style="list-style-type: none"> <li>• FHSS (Frequent Hopping Spread Spectrum)</li> <li>• 56-bit encryption, and 10 alphanumeric Personal Identification Number (PIN)</li> <li>• Error correction schemes for guaranteed packet delivery</li> </ul> <p>Operating System independent AT command software interface LED driver outputs for visual monitoring speed, link, activity, collision, and duplex mode. Auto connect. Supports multipoint connections.</p>												
<b>Warranty</b>	Two years												

Comment [DAR83]: New one: 20501d1\_BT\_Mechanicaldimensions.gif  
Old one: 205001d1\_mechanicalDimensions.bmp

## SocketWireless Bluetooth Pin Out

**Note:** The bolded, shaded pins are the active SocketWireless pins.



**Top View – SocketWireless Bluetooth Pin Out**

For pin descriptions, see the *Universal Pin Out Descriptions* in Chapter 1.

## DC Electrical Characteristics

### 5V Serial SocketWireless

5VDC Characteristics (VDD = 5V ± 0.25V) VDDMAX = 5.25V

Inputs	Input High	Input Low	
-DTR (40), -TXD (35), -RTS (33)	Min 2.0V	Max 0.8V	
-RESET (24)	Min 2.0V	Max 0.8V	
<b>Input Capacitance</b>			<b>15 pF</b>
Outputs	Output High	Output Low	Current Drive
-DCD (39), -CTS (38), -RI (36), -RXD (34)	Min 4V / 2.4V	Max 0.5V / 0.5V (5V / 3.3V)	3.2mA, 7.0mA for TXD

### 3.3V Serial SocketWireless

3.3VDC Characteristics (VDD = 3.3V ± 0.3V) VDDMAX = 3.6V

Inputs	Input High	Input Low	
-DTR (40), -TXD (35), -RTS (33)	Min 2.0V	Max 0.8V	
-RESET (24)	Min 2.0V	Max 0.8V	
<b>Input Capacitance</b>			<b>15 pF</b>
Outputs	Output High	Output Low	Current Drive
-DCD (39), -CTS (38), -RI (36), -RXD (34)	Min 2.4V	Max 0.5V / 0.5V (5V / 3.3V)	3.2mA, 7.0mA for TXD

## Application Notes

### *RF Interface*

#### *Radio Characteristics*

<b>Frequency</b>	2402 – 2480MHz
<b>Modulation</b>	FHSS/GFSK
<b>Channel Intervals</b>	1MHz
<b>Number of Channels</b>	79CH
<b>Transmission Rate</b>	721Kbps
<b>RF Receive Sensitivity</b>	-80dBm typical
<b>RF Range</b>	Class 1 - 100 meters (330 feet)

### *Sources for Peripheral Devices*

#### *Antenna Requirements*

<b>Frequency Range</b>	2.4-2.5 GHz
<b>Impedance</b>	50 ohm nominal
<b>VSWR</b>	<2.0:1
<b>Gain</b>	2 dBi
<b>Radiation</b>	Omni
<b>Polarization</b>	Vertical
<b>Wave</b>	Dipole ½ Wave
<b>Connector</b>	Reverse Polarity SMA Plug

#### *Antenna Source*

##### **Bluetooth Antenna Available from Multi-Tech:**

<b>Part Number</b>	<b>Description</b>
ANBT-1HRA	Hinged Right Angle 2.5 GHz ½ Wave Reverse Polarity Antenna

Bluetooth antennas also can be ordered from the following manufacturers. For the manufacturers listed without specific part numbers, be sure to select the antenna that meets the requirements listed above.

<http://nearson.com> (part number S131AH-2450S)

<http://www.ead-ltd.com>

<http://www.centurion.com>

<http://www.mobilemark.com>

<http://woken.com>

#### *Antenna Cable and Connector*

See Chapter 1 for Antenna System details. Note that the cable for the Wi-Fi SocketModem has a reverse polarity SMA plug.

##### **Approved Antenna Cable Parts**

GC Protronics	20930C
Samtec	ASP-116785-01
Coax Cable	RG-178/U

## Default Power Up Settings

AT Command Response Form = Long Form  
Bluetooth Service Profile = Serial Port Profile {SPP}  
Device Role = Slave  
Baud Rate = 9600bps  
Data Bits = 8 bits  
Parity = None  
Stop bits = 1 bit  
Hardware Flow Control RTS/CTS = Enabled  
Power Mode = Never go into deep sleep mode  
Country Code = North America and Europe  
Name of Device (local name) = SocketWireless  
My Radio Status = 1,0 {slave, disconnected}  
Service Name = COM0  
Power up default ATSW24 settings = 0,0,0,0 {long response, no authentication, no auto SCO connect, no minor}  
Power up default ATSW25 settings = 0,1,0,0 {slave, data, allow data to pass, SPP}  
Major & Minor Class Of Device (COD) = 00000000 {undefined}  
Security PIN and Encryption Disabled  
Default PIN = "default" *caps sensitive so do not use any capital letters*

### **Important Security PIN Note:**

**Do not forget your PIN. Write it down. If you forget it, there is no way it can be retrieved from the device or the software. You will have to buy a new SocketWireless Bluetooth and start over.**

Page Scan Interval = 0x400 {2560msec.}  
Page Scan Window = 0x200 {11msec.}  
Inquiry Scan Interval = 0x400 {2560msec.}  
Inquiry Scan Window = 0x200 {11msec.}  
Timeout Connection Parameters  
Inquiry = 60 seconds  
Slave Connect = 60 seconds  
Master Connect = 60 seconds  
ATDM idle mode = 60 seconds  
ATDM Master Mode = indefinitely (need to perform **ATUCL** to cancel last command)  
Timeout for loss of Bluetooth connection = 4 seconds



## *Example of a Master Discovery/Connection Sequence*

### From Power Up and No Connection

1. Verify local device is Master in Data Mode.  
**Sent:** ATSi,7 <cr>  
**Reply:** <cr\_if>1,1,0,0<cr\_if>
2. If not Master, set to Master and Data Mode.  
**Sent:** ATSW25,1,1,0,0 <cr>  
**Reply:** <cr\_if>OK<cr\_if>
3. Perform an Inquiry to obtain BT Address (unless it is already known).  
**Sent:** ATUCL<cr> // Clears radio state and places in Idle Mode  
**Reply:** <cr\_if>OK<cr\_if>  
**Sent:** ATDI,1,00000000 {Class of Device}<cr> // Looks for only one Bluetooth device  
**Reply:** <cr\_if>00A0961F2023,00000104,Socket Wireless<cr\_if>  
<cr\_if>DONE<cr\_if>
4. Perform a Master Connect over SPP using the BT Address.  
**Sent:** ATDM, 00A0961F2023,1101<cr> // SPP connection  
**Reply:** <cr\_if>CONNECT,00A0961F008F <cr\_if> // Returns Slave BT address radios is in Data Mode
5. Place radio into Fast Data Mode.  
**Sent:** ATMF<cr> // Places radio in Fast Data Mode  
**Reply:** <cr\_if>OK<cr\_if>
6. Send Data.

**Note:** When sending commands from the Slave when the Slave connects in Fast Data Mode (ATSW25/or issuing ATMF). All valid AT commands are sent through the Slaves UART will be interpreted and responded by the Master radio as if it was the local Slave radio. Basically in this configuration from the Slave end you can obtain status and configure from the remote Master radio. This is a unique feature that may be useful in some applications but can confuse the user if you think you are talking to the local Slave UART.

### To Get Out of Data Mode and Check Status:

1. Delay at least 50 milliseconds; this could be less or more.
2. Get into Command Mode.  
**Sent:** +++<cr> // Default escape sequence of characters  
**Reply:** <cr\_if>OK<cr\_if>
3. Check Status  
**Sent:** AT<cr>  
**Reply:** <cr\_if>OK<cr\_if>
4. Or send any AT Command example:  
**Sent:** ATSi,0<cr>  
**Reply:** <cr\_if>SocketWireless AT<cr\_if>

## *Example of a Slave Command Sequence*

### From Power Up:

1. Check and verify Communication to Slave.  
**Sent:** AT<cr>  
**Reply:** <cr\_if>OK<cr\_if>
2. Get information on Slave Bluetooth address.  
**Sent:** ATSi,1<cr>  
**Reply:** 12-digit address  
<cr\_if>OK<cr\_if>
3. Set Slave to automatically connect in Fast Data Mode on Bluetooth connection.  
**Sent:** ATSW25,0,0,0,0 <cr>  
**Reply:** <cr\_if>OK<cr\_if>
4. Either cycle power or send ATURST.  
**Note:** This command sequence assumes the radio is in factory default in which it automatically comes up and is connectable as a Slave from a Master request.

## Disabling Flow Control Using AT Commands

### Protocol Change:

For Bluetooth protocol V2.0, the circuit board I/O pin 7 now controls flow control.

<i>Previous Protocol V1.2</i>	<i>New Protocol V2.0</i>
ATSW22,3,x,x	ATSW22,7,x,x
ATSW23,3,x,x	ATSW23,7,x,x

### Disabling Flow Control Using Protocol V.2.0

Using a terminal screen with flow control enabled, issue commands to turn off flow control.

```
Sent: ATSW22,7,1,0 <cr>      // Set PIO7 as output and do not store in flash
Reply: OK<cr_lf>
Sent: ATSW23,7,1,0<cr>      // Set PIO7 output high and do not store in flash
Reply: OK<cr_lf>
```

To store the setting in flash:

```
Sent: ATSW22,7,1,1<cr>      // Set PIO7 as output and store in flash
Reply: OK<cr_lf>
Sent: ATSW23,7,1,1<cr>      // Set PIO7 output high and store in flash
Reply: OK<cr_lf>
```

Now you can communicate with the Bluetooth device with flow control turned off.

## Other Examples

See the Bluetooth AT Commands Reference Guide for other examples:

- Multipoint Example Using the SocketWireless MTS2BTSMI or the Bluetooth Adapter MT2BTA – One Slave and Four Master Devices.
- Multipoint Example Using the SocketWireless MTS2BTSMI or the Bluetooth Adapter MT2BTA – One Master and Four Slave Devices.
- Repeater Example Using the SocketWireless MTS2BTSMI or the Bluetooth Adapter MT2BTA.

## Changing Configuration

Parameters, such as the Bluetooth Name, Service Name, Class of Device, and Serial Port settings can be viewed and configured. This can be done locally through the serial port UART or from a remote Bluetooth RF link. To configure the SocketWireless Bluetooth device, the device must be in command mode by issuing **+++**.

You can use the developer board and the RS-232 cable to connect to a PC and pass ASCII characters through the terminal to the SocketWireless Bluetooth device. The communications settings should match the settings used when the SocketWireless Bluetooth device connects. For example, the defaults are:

```
9600bps
8 bits
No Parity
1 stop bit
Hardware flow control enabled.
```

Once you change these parameters, you have the option to store them permanently in the non-volatile memory. Run your favorite terminal emulator, HyperTerminal, or other program.

- Type **AT** on your screen and follow it with a carriage return **<cr\_lf>**. You should see **"OK"** returned to you. This will verify that your cable and communications settings are correct. When the SocketWireless device is not connected to another Bluetooth device, you can type the AT commands directly into the SocketWireless' UART; e.g., you do not have to type **+++** to change from data mode to command mode.
- Now you can enter any of the AT commands discussed in the following sections. Follow these commands by **<cr\_lf>**. Valid commands will return an **"OK"** or a valid response. Invalid commands will reply **ERROR**.
- To return to data mode, type **ATMD**. You can now pass or receive data from a remote connected Bluetooth device.

### Notes:

- If you change communications parameter settings, remember to change your terminal or emulator communications settings to correspond to the newly created parameter settings.
- AT commands will not echo back to the terminal.



# Index

## A

Activation procedures .....	37
Antenna system .....	34
AT Commands Reference Guides	
SocketEthernet IP (MT100SEM-IP) .....	147
SocketModem (MT2456SMI-22) .....	141
SocketModem (MT2492SMD) .....	137
SocketModem (MT5692SMD) .....	116
SocketModem (MT9234SMD) .....	100
SocketModem CDMA (MTSMC-C) .....	67
SocketModem Cell & iCell (MTSMC-G2 Family) .....	56
SocketModem EDGE (MTSMC-E and E1) .....	76
SocketModem HSDPA (MTSMC-H) .....	84
SocketWireless Bluetooth (MTS2BTSMD) .....	164
SocketWireless Wi-Fi (MT810SWM-IP) .....	155
Auto-Discovery Manager .....	153

## B

Baud Rate Dip Switch Settings for HSDPA .....	94
Block Diagram .....	23
Bluetooth Changing Configurations .....	170
Bluetooth Example of a Master Discovery/Connection Sequence .....	169
Bluetooth Example of a Slave Command Sequence .....	169
Bluetooth technology .....	164
Board Components .....	22

## C

CDMA Terminology	
2G .....	74
3G .....	74
CBM .....	74
CDMA .....	74
cdma2000 .....	74
cdma2000 1xRTT .....	74
cdmaONE .....	74
ESN .....	74
Handset Path .....	74
Headset Path .....	74
IMSI .....	74
IOTA .....	74
IS-2000 .....	74
IS-707 .....	74
IS-95 .....	74
IS-95A .....	74
IS-95B .....	74
MCC .....	74
MDN .....	74
MIN .....	74
MNC .....	74
MO .....	74
MS .....	74
MSM .....	74
MT .....	74

NAM .....	74
NID .....	74
NV-RAM .....	75
OTAPA .....	75
OTASP .....	75
PDU .....	75
PN Offset .....	75
P-REV .....	75
PRI .....	75
PRL .....	75
PSTN .....	75
RF .....	75
RSSI .....	75
R-UMI .....	75
SID .....	75
SIM .....	75
SMS .....	75
TA/TE .....	75
Changing the Quad Band .....	65
China's Administrative Measures on the Control of Pollution .....	54
Connectivity Features .....	10
Country/Regional Codes .....	45

## D

DC Electrical Characteristics	
SocketEthernet IP (MT100SEM-IP) .....	150
SocketModem (MT2492SMD) .....	139
SocketModem (MT5692SMD) .....	121
SocketModem (MT9234SMD) .....	105
<b>SocketModem CDMA (MTSMC-C)</b> .....	71
SocketModem Cell & iCell (MTSMC-G2 Family) .....	58
SocketModem EDGE (MTSMC-E1) .....	82
SocketModem HSDPA (MTSMC-H) .....	90
SocketWireless Bluetooth (MTS2BTSMD) .....	166
Default Power Up Settings for Bluetooth .....	168
Default Power Up Settings for MT810SWM-IP .....	162
Design Considerations .....	16
Developer Board .....	21
Developer Board Schematics .....	24, 26, 27, 28

## E

Electrical Characteristics	
SocketModem (MT2456SMI-22) .....	144
Electromagnetic Interference Considerations .....	17
Electrostatic Discharge Control .....	17
EMC Requirements for Industry Canada .....	46
EMC, Safety, and R&TTE Directive Compliance .....	46

## F

Fax Commands Reference Guides .....	11
FCC Part 15 Regulation .....	46
FCC Part 68 Regulation .....	47
Firmware Upgrade .....	29
Flash Programming Protocol .....	31

	Index
Flash Upgrade.....	29
Flash Upgrade Example.....	30
<b>G</b>	
Global Positioning System (GPS) Features .....	66
Global Positioning System (GPS) Technical Specifications .....	66
<b>H</b>	
Handling Precautions related to electrostatic discharge control .....	17
HSDPA on Linux.....	93
HSDPA Operating Modes .....	95
<b>I</b>	
Internal Registers .....	109
International Modem Restrictions.....	46
Interrupt Sources and Reset Control Table	
MT5692SMI .....	128
SocketModem (MT9234SMI).....	110
<b>J</b>	
Japan Regulations .....	50
Jumper – 5V / 3.3V.....	22
<b>L</b>	
Label Example for Analog SocketModems .....	42
Labeling Requirements .....	40
Labeling Your Product.....	40
<b>M</b>	
Maintenance of Your Modem .....	44
Mechanical Drawing in Millimeters for Analog Modems	19
Mechanical Drawings	
SocketModem CDMA (MTSMC-C) .....	69
SocketModem Cell – Voice Build (MTSMC-G2 V) ....	61
SocketModem Cell (MTSMC-G2) .....	60
SocketModem Cell –I GPS Build (MTSMC-G2-GP) ...	63
SocketModem EDGE (MTSMC-E1) .....	78
SocketModem EDGE with Voice (MTSMC-E1-V) ....	79
SocketModem HSDPA (MTSMC-H) .....	87
SocketModem HSDPA-USB (MTSMC-H-U).....	88
SocketModem iCell – IP Build (MTSMC-G2-IP) .....	62
SocketWireless Wi-Fi (MT810SWM-L-IP).....	159
Wi-Fi (MT810SWM-IP).....	158
<b>Microphone and Speaker for SocketModem</b>	
<b>MT5692SMI</b> .....	136
Microphone Input for EDGE .....	83
Microphone Inputs for MTSMC-G2.....	64
<b>N</b>	
New Zealand Telecom Warning Notice.....	48
<b>P</b>	
Parallel Interface	
Multi-Tech Systems, Inc. Universal Socket Hardware Guide for Developers (S000342L)	173
SocketModem (MT5692SMI).....	124
SocketModem (MT9234SMI) .....	107
Parallel Interface Register Table	
SocketModem (MT5692SMI).....	125
SocketModem (MT9234SMI).....	109
Parallel Pin Configurations	
MT5692SMI.....	121
SocketModem (MT9234SMI).....	104
Parallel Timing Requirements	
SocketModem (MT5692SMI) .....	123
SocketModem (MT9234SMI) .....	106
Parts.....	151
Parts for Analog SocketModems.....	39
PC Board Layout Guidelines.....	16
Pin Configurations	
SocketEthernet IP (MT100SEM-IP) .....	149
SocketModem (MT2456SMI-22).....	143
SocketModem (MT2492SMI) .....	139
SocketModem (MT9234SMI) .....	103
SocketWireless Bluetooth (MTS2BTSMI).....	166
Pin Out	
SocketModem Parallel Build (MT5692SMI) .....	120
Pin Outs	
SocketModem (MT5692SMI).....	119
Power Measurements	
SocketEthernet IP (MT100SEM-IP) .....	150
SocketModem (MT2492SMI) .....	138
SocketModem (MT5692SMI) .....	122
SocketModem (MT9234SMI) .....	101
SocketModem CDMA (MTSMC-C).....	68, 71
SocketModem Cell & iCell (MTSMC-G2 Family) .....	58
SocketModem EDGE (MTSMC-E1) .....	82
SocketModem HSDPA (MTSMC-H) .....	90
SocketWireless Bluetooth (MTS2BTSMI).....	165
Power Saving Feature for HSDPA .....	96
Product Ordering Information	
MT2456SMI-22 .....	141
SocketEthernet IP (MT100SEM-IP) .....	147
SocketModem (MT2492SMI) .....	137
SocketModem (MT5692SMI) .....	115
SocketModem (MT9234SMI) .....	100
SocketModem CDMA (MTSMC-C).....	67
SocketModem Cell & iCell (MTSMC-G2 Family) .....	56
SocketModem EDGE (MTSMC-E1) .....	76
SocketModem HSDPA (MTSMC-H) .....	84
SocketWireless Bluetooth (MTS2BTSMI).....	164
SocketWireless Wi-Fi (MT810SWM-IP).....	155
Programmable Baud Rates Table	
SocketModem (MT5692SMI) .....	133
SocketModem (MT9234SMI) .....	113
Provisioning for CDMA.....	73
<b>R</b>	
Receiver Features for EDGE.....	83
Receiver Features for HSDPA.....	91
Reset.....	13
RF Interface	
MTSMC-G2 .....	64
SocketModem CDMA (MTSMC-C) .....	72
SocketModem EDGE (MTSMC-E1) .....	83
RoHS Compliance.....	52
<b>S</b>	
Safety Warning Telecom.....	44

SocketModem CDMA Interfaces.....	72	SocketModem (MT2456SMI-22).....	145
South African Statement, Regulations .....	48	SocketModem (MT5692SMI).....	134
Speaker Output for EDGE .....	83	SocketModem (MT9234SMI).....	114
Stereo jack feed jumper .....	22	Transmitter Features for EDGE.....	83
Switch Block.....	22	Transmitter Features for HSDPA .....	91
<b>T</b>			
Technical Specifications			
SocketEthernet IP (MT100SEM-IP).....	148		
SocketModem (MT2456SMI-22) .....	142		
SocketModem (MT2492SMD).....	138		
SocketModem (MT5692SMI).....	117		
SocketModem (MT9234SMI).....	101		
SocketModem CDMA (MTSMC-C) .....	68		
SocketModem Cell & iCell (MTSMC-G2 Family) .....	57		
SocketModem EDGE (MTSMC-E1) .....	77		
SocketModem HSDPA (MTSMC-H).....	85		
SocketWireless Bluetooth (MTS2BTSMI) .....	165		
SocketWireless Wi-Fi (MT810SWM-IP) .....	156		
Telecom Approvals.....	45		
Temperature Control for HSDPA .....	96		
Tip and Ring Interface			
<b>U</b>			
Universal Developer Kit contents .....	11		
Universal Pin Descriptions .....	12		
Universal Socket Design .....	10		
USB Interface for HSDPA .....	98		
<b>W</b>			
WEEE Directive.....	51		
Wireless Approvals .....	37		
<b>X</b>			
XMODEM Serial Port Upgrade .....	30		