

OPERATION AND PARTS MANUAL




WHISPERWATT™ SERIES MODEL DCA-400SSV 60 Hz GENERATOR


PARTS LIST NO. C3871301004

Revision #0 (04/19/06)

**THIS MANUAL MUST ACCOMPANY
THE EQUIPMENT AT ALL TIMES.**



WARNING



CALIFORNIA — Proposition 65 Warning

Diesel engine exhaust and some of its constituents are known to the State of California to cause cancer, birth defects and other reproductive harm.

HERE'S HOW TO GET HELP

PLEASE HAVE THE MODEL AND SERIAL
NUMBER *ON-HAND* WHEN CALLING

MQ POWER CORPORATE OFFICE

18910 Wilmington Ave. 800-421-1244
Carson, CA 90746 FAX:310-632-2656
Email: mqpower@multiquip.com
Internet: www.mqpower.com

PARTS DEPARTMENT

800-427-1244 FAX:800-672-7877
310-537-3700 FAX:310-637-3284

SERVICE DEPARTMENT

800-835-2551 FAX:310-638-8046
310-537-3700

TECHNICAL ASSISTANCE

800-835-2551 FAX:310-638-8046

WARRANTY DEPARTMENT

800-835-2551, EXT.279 FAX:310-638-8046
310-537-3700, EXT.279

© COPYRIGHT 2006, MULTIQUIP INC.

MQ Power Inc, Ultra-Silent series, and the MQ Power logo are registered trademarks of Multiquip Inc. and may not be used, reproduced, or altered without written permission. All other trademarks are the property of thier respective owners and used with permission.

This manual **MUST** accompany the equipment at all times. This manual is considered a permanent part of the equipment and should remain with the unit if resold.

The information and specifications included in this publication were in effect at the time of approval for printing. Illustrations are based on the *DCA-400SSV WHISPERWATT AC Generator*. Multiquip Inc. reserves the right to discontinue or change specifications, design or the information published in this publication at any time without notice and without incurring any obligations.

To find the latest revision of this
publication, visit our website at:
www.mqpower.com

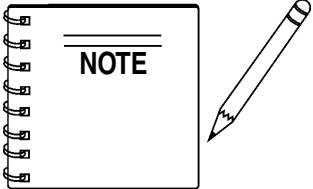


**MQ POWER DCA-400SSV
WHISPERWATT™ GENERATOR**

California Proposition 65 Warning 2
 Here's How To Get Help 3
 Table Of Contents 4
 Parts Ordering Procedures 5
 Specifications 6
 Dimensions (Top, Side, Front) 7
 Safety Message Alert Symbols 8-9
 Rules for Safe Operation 10-13
 Generator Decals 14-15
 Installation 16-17
 General Information 18
 Major Components 19
 Generator Control Panel 20-21
 Engine Operating Panel 22
 Output Terminal Panel Familiarization 24-26
 Load Application 27
 Generator Outputs 28
 Gauge Reading 29
 Output Terminal Panel Connections 30-31
 Pre-Setup 32-35
 Generator Start-up Procedure (Manual) 36-37
 Generator Start-up Procedure (Auto Mode) 38
 Generator Shut-Down Procedure 39
 Maintenance (Engine) 40-42
 Jacket Water Heater/battery Charger (Option) 43
 Maintenance (Trailer) 44-47
 Trailer Wiring Diagram 48
 Generator Wiring Diagram 49
 Engine Wiring Diagram S/N 3722759 & Below 50
 Engine Wiring Diagram S/N 3722760 & Above 51
 Generator Troubleshooting 52
 Engine Controller Troubleshooting 53
 Troubleshooting Diagnostic Lamp 54
 Explanation of Code in Remarks Column 56
 Suggested Spare Parts 57

COMPONENT DRAWINGS

Generator Assembly 58-61
 Engine Operating Panel Assembly 62-63
 Control Box Assembly 64-67
 Engine and Radiator Assembly 68-71
 Output Terminal Assembly 72-73
 Battery Assembly 74-75
 Muffler Assembly 76-77
 Fuel Tank Assembly 78-79
 Enclosure #1 Assembly 76-79
 Enclosure #2 Assembly 76-79
 Enclosure #3 Assembly 76-79
 Rubber Seals Assembly 80-81
 Nameplate and Decals 82-83
 Terms and Condition of Sale — Parts 84



Specification and part number are subject to change without notice.

PARTS ORDERING PROCEDURES

When ordering parts, please supply the following information:

- Dealer account number
- Dealer name and address
- Shipping address (if different than billing address)
- Return fax number
- Applicable model number
- Quantity, part number and description of each part
- Specify preferred method of shipment:
 - ✓ FedEx or UPS Ground
 - ✓ FedEx or UPS Second Day or Third Day
 - ✓ FedEx or UPS Next Day
 - ✓ Federal Express Priority One
 - ✓ DHL
 - ✓ Truck

Note: Unless otherwise indicated by customer, all orders are treated as "Standard Orders", and will ship within 24 hours. We will make every effort to ship "Air Shipments" the same day that the order is received, if prior to 2PM west coast time. "Stock Orders" must be so noted on fax or web forms.



Here's how to get help...

Please have the model and serial number on hand when calling.

MQ POWER CORPORATE OFFICE

18910 Wilmington Ave. 800-421-1244
 Carson, CA 90746 FAX: 310-632-2656
 Email: mqpower@multiquip.com
 Internet: www.mqpower.com

PARTS DEPARTMENT

800-427-1244 FAX: 800-672-7877
 310-537-3700 FAX: 310-637-3284

SERVICE DEPARTMENT

800-835-2551 FAX: 310-638-8046
 310-537-3700

TECHNICAL ASSISTANCE

800-835-2551 FAX: 310-638-8046

WARRANTY DEPARTMENT

800-835-2551, EXT. 279 FAX: 310-638-8046
 310-537-3700, EXT. 279

Place Your Parts Order Via Web or Fax For Even More Savings!

(Domestic USA Dealers Only)

Extra Discounts!

All parts orders which include complete part numbers and are received by our automated web parts order system, or by fax qualify for the following extra discounts:

Ordered via	Standard orders	Stock orders (\$750 list and above)
Fax	3%	10%
Web	5%	10%

Special freight allowances when you order 10 or more line items via Web or Fax! **

FedEx Ground Service **at no charge for freight**

No other allowances on freight shipped by any other carrier.

****Common nuts, bolts and washers (all items under \$1.00 list price) do not count towards the 10+ line items.**

NOTE: DISCOUNTS ARE SUBJECT TO CHANGE



MQPOWER
 A Division of Multiquip Inc.
 POST OFFICE BOX 6254
 CARSON, CA 90749
 310-537-3700 • 800-421-1244
 FAX: 310-632-2656
 E-MAIL: mqpower@multiquip.com
 INTERNET: www.mqpower.com

Direct TOLL-FREE access to our Parts Department:

Toll-free nationwide — 800-427-1244

Toll-free FAX — 800-6-PARTS-7 (800/672-7877)

DCA-400SSV— SPECIFICATIONS

Table 1. Generator Specifications

Model	DCA-400SSV
Type	Revolving field, self ventilated, open protected type synchronous generator
Armature Connection	Star with Neutral
Phase	3
Standby Output	440 KVA (352 KW)
Prime Output	400 KVA (320 KW)
Voltage — 1Ø	120, 127, 139, 240, 254, and 277V
Voltage — 3Ø	208, 220, 240, 416, 440, and 480V
Frequency	60 Hz
Speed	1800 rpm
Power Factor	0.8
Aux. AC Power	Single Phase, 60 Hz
Aux. Voltage/Output	120 VAC/ 4.8 Kw (2.4 kW x 2)
Dry Weight	11,136 lbs. (5,050 kg.)
Wet Weight	12,260 lbs. (5,560 kg.)

Table 2. Engine Specifications

Model	VOLVO PENTA TAD1241GE
Type	4 cycle, water-cooled, direct injection, turbo-charged
No. of Cylinders	6 cylinders
Bore x Stroke	5.15 in. x 5.90 in. (131 mm x 150 mm)
Displacement	740.2 cu. in. (12,130 cc)
Starting	Electric 24 VDC
Coolant Capacity	11.6 gal. (44 liters)
Lube Oil Capacity	9.2 gal. (35 liters)
Fuel Type	#2 Diesel Fuel
Fuel Tank Capacity	129 gal. (490 liters)
Fuel Consumption	20.6 gal. (78.1 L)/hr at full load
Battery	12V-150 Ah x 2

DCA-400SSV— DIMENSIONS (TOP, SIDE AND FRONT)

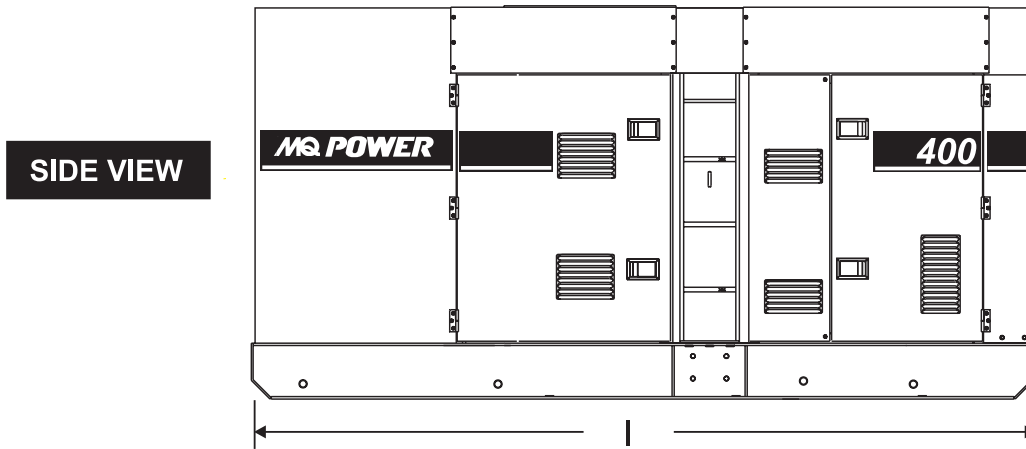
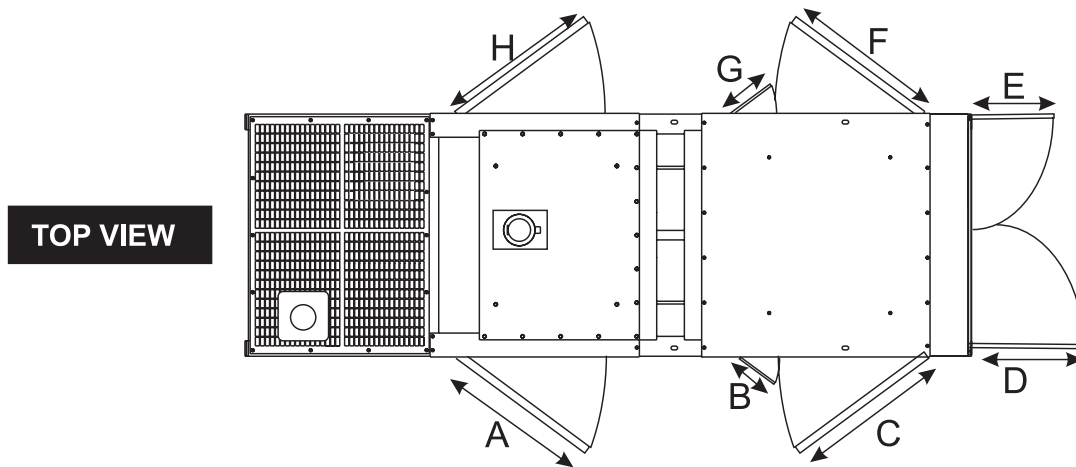


Figure 1. Dimensions

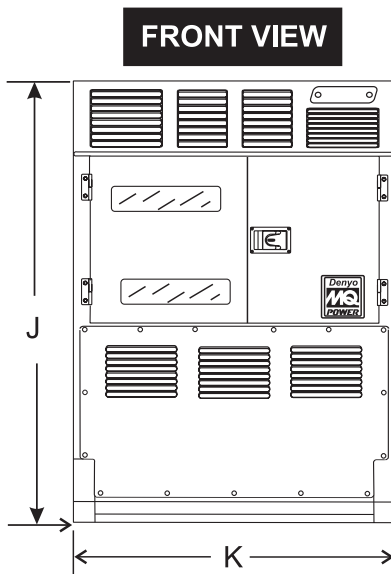
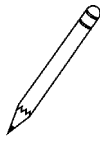
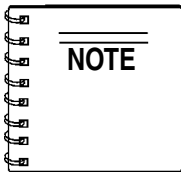


TABLE 3. DIMENSIONS			
Reference Letter	Dimension in. (mm.)	Reference Letter	Dimension in. (mm.)
A	41.73 in. (1,060 mm.)	G	19.30 in. (490 mm.)
B	19.30 in. (490 mm.)	H	41.73 in. (1,060 mm.)
C	31.88 in. (810 mm.)	I	165.3 in. (4,200 mm.)
D	31.69 in. (805 mm.)	J	82.67 in. (2,100 mm.)
E	18.11 in. (460 mm.)	K	55.11 in. (1,400 mm.)
F	31.88 in. (810 mm.)		

DCA-400SSV— SAFETY MESSAGE ALERT SYMBOLS

FOR YOUR SAFETY AND THE SAFETY OF OTHERS!

Safety precautions should be followed at all times when operating this equipment. Failure to read and understand the Safety Messages and Operating Instructions could result in injury to yourself and others.



This Owner's Manual has been developed to provide complete instructions for the safe and efficient operation of the MQ Power **Model DCA-400SSV Whisperwatt™ Generator**.

Before using this generator, ensure that the operating individual has read and understands all instructions in this manual.

SAFETY MESSAGE ALERT SYMBOLS

The three (3) Safety Messages shown below will inform you about potential hazards that could injure you or others. The Safety Messages specifically address the level of exposure to the operator, and are preceded by one of three words: **DANGER**, **WARNING**, or **CAUTION**.

DANGER

You **WILL** be **KILLED** or **SERIOUSLY** injured if you do not follow directions.

WARNING

You **COULD** be **KILLED** or **SERIOUSLY** injured if you do not follow directions.

CAUTION

You **CAN** be injured if you do not follow directions

HAZARD SYMBOLS

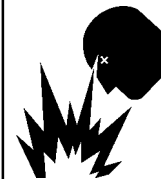
Potential hazards associated with the operation of this equipment will be referenced with "**Hazard Symbols**" which appear throughout this manual, and will be referenced in conjunction with Safety "**Message Alert Symbols**".

WARNING - LETHAL EXHAUST GASES



Gasoline engine exhaust gases contain poisonous carbon monoxide. This gas is colorless and odorless, and can cause **DEATH** if inhaled. **NEVER** operate this equipment in a confined area or enclosed structure that does not provide ample free flow air.

WARNING - EXPLOSIVE FUEL



Gasoline is extremely flammable, and its vapors can cause an explosion if ignited. **DO NOT** start the engine near spilled fuel or combustible fluids. **DO NOT** fill the fuel tank while the engine is running or hot.

DO NOT overfill tank, since spilled fuel could ignite if it comes into contact with hot engine parts or sparks from the ignition system. Store fuel in approved containers, in well-ventilated areas and away from sparks and flames. **NEVER** use fuel as a cleaning agent.

WARNING - BURN HAZARDS



Engine components can generate extreme heat. To prevent burns, **DO NOT** touch these areas while the engine is running or immediately after operations. **NEVER** operate the engine with heat shields or heat guards removed.

DANGER - ELECTROCUTION HAZARDS

During operation of this generator, there exists the possibility of **electrocution**, **electrical shock or burn**, which can cause **severe bodily harm** or even **DEATH!**



DCA-400SSV— SAFETY MESSAGE ALERT SYMBOLS

! WARNING - ROTATING PARTS



NEVER operate equipment with covers, or guards removed. Keep **fingers, hands, hair** and clothing away from all moving parts to prevent injury.

! CAUTION - RESPIRATORY HAZARDS



ALWAYS wear approved **respiratory** protection.

! CAUTION - ACCIDENTAL STARTING



ALWAYS place the **Engine ON/OFF** switch in the **OFF** position and remove the ignition key when the pump is not in use.

! CAUTION - SIGHT AND HEARING HAZARDS



ALWAYS wear approved **eye** and **hearing** protection.

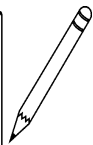
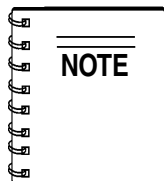
! CAUTION - OVER-SPEED CONDITIONS



NEVER tamper with the factory settings of the engine governor or settings. Personal injury and damage to the engine or equipment can result if operating in speed ranges above maximum allowable.

! CAUTION - EQUIPMENT DAMAGE MESSAGES

Other important messages are provided throughout this manual to help prevent damage to your generator, other property, or the surrounding environment.



This generator, other property, or the surrounding environment could be damaged if you do not follow instructions.

DCA-400SSV— RULES FOR SAFE OPERATION

DANGER - READ THIS MANUAL!

Failure to follow instructions in this manual may lead to **serious injury** or even **DEATH!** This equipment is to be operated by trained and qualified personnel only! This equipment is for industrial use only.

The following safety guidelines should always be used when operating the **DCA-400SSVWhisperwatt™ AC Generator**.

General Safety:

- **DO NOT** operate or service this equipment before reading this entire manual.



The operator **MUST BE** familiar with proper safety precautions and operations techniques before using generator.

- This equipment should not be operated by persons under 18 years of age.
- **NEVER** operate this equipment without proper protective clothing, shatterproof glasses, steel-toed boots and other protective devices required by the job.



- **NEVER** operate this equipment when not feeling well due to fatigue, illness or taking medicine.
- **NEVER** operate this equipment under the influence or drugs or alcohol.

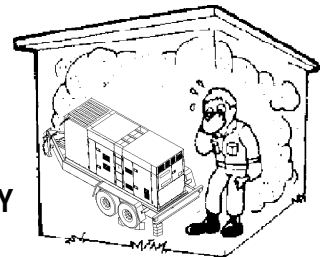


- **NEVER** use accessories or attachments, which are not recommended by MQ Power for this equipment. Damage to the equipment and/or injury to user may result.
- Manufacturer does not assume responsibility for any accident due to equipment modifications. Unauthorized equipment modification will void all warranties.
- Whenever necessary, replace nameplate, operation and safety decals when they become difficult read.

- **ALWAYS** check the machine for loosened threads or bolts before starting.
- **NEVER** operate the generator in an explosive atmosphere or near combustible materials. An explosion or fire could result causing severe **bodily harm or even death**.
- **NEVER** touch the hot exhaust manifold, muffler or cylinder. Allow these parts to cool before servicing engine or generator.
- **High Temperatures** – Allow the engine to cool before performing service and maintenance functions. Contact with **hot!** components can cause serious burns.



- The engine of this generator requires an adequate free flow of cooling air. **NEVER** operate the generator in any enclosed or narrow area where free flow of the air is restricted. If the air flow is restricted it will cause serious damage to the generator or engine and may cause injury to people. The generator engine gives off **DEADLY** carbon monoxide gas.



- **DO NOT** place hands or fingers inside generator engine compartment when engine is running.
- **NEVER** run engine without air filter. Severe engine damage may occur.
- **DO NOT** leave the generator running in the **manual mode** unattended.
- Refer to the **VOLVO Engine Owner's Manual** for engine technical questions or information.
- **ALWAYS** store equipment properly when it is not being used. Equipment should be stored in a clean, dry location out of the reach of children.

DCA-400SSV— RULES FOR SAFE OPERATION

Generator Grounding

To guard against electrical shock and possible damage to the equipment, it is important to provide a good **EARTH** ground.

Article 250 (Grounding) of the **National Electrical Code** (NEC) provides guide lines for proper grounding and specifies that the cable ground shall be connected to the grounding system of the building as close to the point of cable entry as practical.

The following safety recommendations should also be followed:

- **ALWAYS** make sure generator is properly grounded.
- **NEVER** use gas piping as an electrical ground.
- **ALWAYS** make sure that electrical circuits are properly **grounded** per the **National Electrical Code** (NEC) and local codes before operating generator. Severe **injury** or **DEATH!** by electrocution can result from operating an ungrounded generator.
- **ALWAYS** be sure to use the ground terminal (green wire) when connecting a load to the U,V, and W output terminal lugs.

Electrical Safety

- **ALWAYS** have a qualified electrician perform the generator wiring installation.
- **ALWAYS** make sure generator installation is accordance with the **National Electrical Code** (NEC) and local codes before operating generator.
- **NEVER** use a defective or frayed power cable. Check the cable for cuts in the insulation.
- **NEVER** use a extension cord that is frayed or damaged where the insulation has been cut.
- **ALWAYS** make certain that proper extension cord has been selected for the job. See Table 6.
- **NEVER** power cables or cords **lay in water**.
- **NEVER stand in water** while AC power from the generator is being transfer to a load.

DANGER - ELECTROCUTION HAZARDS

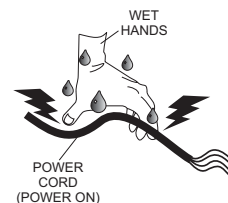
During operation of this generator, there exists the possibility of **electrocution, electrical shock or burn**, which can cause **severe bodily harm** or even **DEATH!**



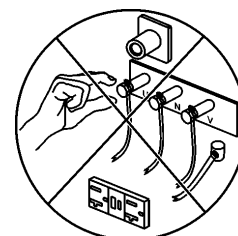
To avoid these hazards:

NEVER use damaged or worn cables when connecting equipment to the generator. Make sure power connecting cables are securely connected to the generator's output terminals, insufficient tightening of the terminal connections may cause damage to the generator and electrical shock.

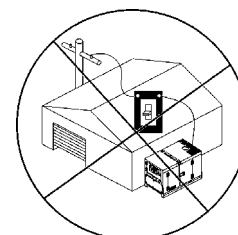
NEVER grab or touch a live power cord with wet hands.



NEVER touch output terminals during operation. This is extremely dangerous. **ALWAYS** stop the machine and place the circuit breaker in the **OFF** position when contact with the output terminals is required.



Backfeed to a utility system can cause **electrocution** and or property damage. **DO NOT** connect to any building's electrical system except through an approved device or after building main switch is opened. **ALWAYS** have a licensed electrician perform the installation



DCA-400SSV— RULES FOR SAFE OPERATION

Maintenance Safety

- The electrical voltage required to operate the generator can cause severe injury or even death through physical contact with live circuits. Turn all circuit breakers **OFF** before performing maintenance on the generator.
- **NEVER** lubricate components or attempt service on a running machine.
- **ALWAYS** disconnect the **NEGATIVE battery terminal** before performing service on the generator.
- Follow all Battery Safety Guidelines listed in this manual when handling or servicing the generator.
- **ALWAYS** allow the machine a proper amount of time to cool before servicing.
- Keep the machinery in proper running condition.
- Fix damage to the machine immediately and always replace broken parts.
- **ALWAYS** service air cleaner frequently to prevent engine malfunction.

WARNING - BURN HAZARDS

To prevent burns, **DO NOT** touch or open any of the below mentioned components while the engine is running or immediately after operations. Always allow sufficient time for the engine and generator to cool before performing maintenance.

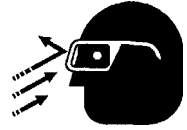


- **Radiator Cap** - Removing the radiator cap while the engine is hot will result in high pressurized, boiling water to gush out of the radiator, causing severe scalding to any persons in the general area of the generator.
- **Coolant Drain Plug** - Removing the coolant drain plug while the engine is hot will result in hot coolant gushing out of the coolant drain plug, therefore causing severe scalding to any persons in the general area of the generator.
- **Engine Oil Drain Plug** - Removing the engine oil drain plug while the engine is hot will result in hot oil gushing out of the oil drain plug, therefore causing severe scalding to any persons in the general area of the generator.

Battery Safety

Use the following guidelines when handling the battery:

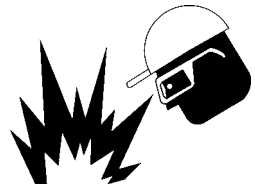
- The battery contains acids that can cause injury to the eyes and skin. To avoid eye irritation, **always** wear safety glasses.
- Use well insulated gloves when picking up the battery.



DANGER - EXPLOSION HAZARDS

The risk of an explosion exists when performing service on the battery. To avoid **severe injury** or **DEATH**:

- **DO NOT** drop the battery. There is the possibility of risk that the battery may explode.
- **DO NOT** expose the battery to open flames, sparks, cigarettes etc. The battery contains combustible gases and liquids. If these gases and liquids come in contact with a flame or spark, an explosion could occur.



- **ALWAYS** keep the battery charged. If the battery is not charged a buildup of combustible gas will occur.
- **ALWAYS** keep battery charging and cables in good working condition. Repair or replace all worn cables.
- **ALWAYS** recharge the battery in an vented air environment, to avoid risk of a dangerous concentration of combustible gases.
- In case the battery liquid (dilute sulfuric acid) comes in contact with **clothing or skin**, rinse skin or clothing immediately with plenty of water.
- In case the battery liquid (dilute sulfuric acid) comes in contact with your **EYES**, rinse eyes immediately with plenty of water and contact the nearest doctor or hospital to seek medical attention.

DCA-400SSV— RULES FOR SAFE OPERATION

Towing & Transporting Safety

To reduce the possibility of an accident while transporting the generator on public roads, always make sure the trailer that supports the generator and the towing vehicle are in good operating condition and both units are mechanically sound.

The following list of safety precautions should be followed when towing your generator:

CAUTION - FOLLOW TOWING REGULATIONS

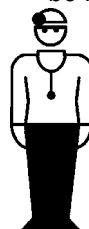
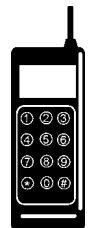
Check with your local county or state safety towing regulations, in addition to meeting **Department of Transportation (DOT) Safety Towing Regulations**, before towing your generator.

- **ALWAYS** shutdown engine before transporting.
- Tighten both fuel tank caps securely.
- If generator is mounted on a trailer, make sure trailer complies with all local and state safety transportation laws. Follow the listed **Towing & Transporting Safety** guidelines for basic towing techniques.
- Make sure the hitch and coupling of the towing vehicle are rated equal to, or greater than the trailer "gross vehicle weight rating."
- **ALWAYS** inspect the hitch and coupling for wear. **NEVER** tow a trailer with defective hitches, couplings, chains etc.
- Check the tire air pressure on both towing vehicle and trailer. **Trailer tires should be inflated to 50 psi cold.** Also check the tire tread wear on both vehicles.
- **ALWAYS** make sure the trailer is equipped with a "Safety Chain".
- **ALWAYS** attach trailer's safety chains to towing vehicle properly.
- **ALWAYS** make sure the vehicle and trailer directional, backup, brake, and trailer lights are connected and working properly.
- DOT Requirements include the following:
 - Connect and test electric brake operation.
 - Secure portable power cables in cable tray with tie wraps.

- The maximum speed for highway towing is **55 MPH** unless posted otherwise. Recommended off-road towing is not to exceed **15 MPH** or less depending on type of terrain.
- Place **chock blocks** underneath wheel to prevent **rolling**, while parked.
- Use the trailer's swivel jack to adjust the trailer height to a level position while parked.
- Avoid sudden stops and starts. This can cause skidding, or jack-knifing. Smooth, gradual starts and stops will improve towing.
- Avoid sharp turns.
- Trailer should be adjusted to a level position at all times when towing.
- Raise and lock trailer wheel stand in up position when transporting.
- The maximum speed for highway towing is **55 MPH** unless posted otherwise. Recommended off-road towing is not to exceed **15 MPH** or less depending on type of terrain.
- Place **support blocks** underneath the trailer's bumper to prevent **tipping**, while parked.
- Avoid sharp turns to prevent rolling.
- **DO NOT** transport generator with fuel in tank.

Emergencies

- **ALWAYS** know the location of the nearest **fire extinguisher**.
- **ALWAYS** know the location of the nearest and **first aid kit**.
- **ALWAYS** know the location of the nearest phone or **keep a phone on the job site**, in case of emergencies.
- **ALWAYS** have easy access to the phone numbers of the nearest **Ambulance, Doctor** and **Fire Department**. This information will be invaluable in the case of an emergency.



DCA-400SSV— GENERATOR DECALS

The DCA-400SSV generator is equipped with a number of safety decals (Figures 2 & 3). These decals are provided for operator safety and maintenance information. The illustration below and on the preceding page show the decals as they appear on the machine. Should any of these decals become unreadable, replacements can be obtained from your dealer.

OPERATING PROCEDURES

Manual Starting

1. Check the engine oil, coolant, and fuel levels. Replenish if necessary.
2. Place all Generator Circuit Breakers in the "OFF" position and close all doors.
3. Check that the Voltage select switch (or the Voltage change-over board) is present at desired voltage.
(In case of generator having multiple voltage ratings.)
4. Set the Engine speed switch to the "LOW" position.
5. Turn the Auto-Off/Reset-Manual switch to the "Manual" position to start the engine. If the engine fails to start in the specified number of attempts, the overcrank lamp will indicate and the Auto-Off/Reset-Manual switch must be returned to the "Off/Reset" position before proceeding.
6. When the engine is ready for starting during cold weather operating conditions, push the water heater button for approximately 30 seconds. Start engine using the Auto-Off/Reset-Manual switch to the "Manual" position. As soon as the engine starts, release the button.
7. If the engine still does not start, utilize the water heater until water is warm. If additional water heater is supplied.)
8. After starting, allow the engine to run for 1 or 2 minutes to warm-up. At temperatures below freezing, this time period must be extended to 2 to 4 minutes.
9. When the engine starts, immediately check for abnormal noise, vibration, fluid leakage or any indication of a problem. Check the control panel gauges. If all is normal, let the engine remain at the "Low" position for a short time, depending on the ambient conditions, warm up.
10. After sufficient warm-up time has elapsed, set the Engine speed switch to the "High" position and the unit is ready for operation.
11. Check the NO-Load speed as shown in the table below.
60Hz operation—Approx. 63.0Hz (1800rpm)
12. Adjust the Voltage Regulator to the specified voltage.

Manual Stopping

1. Place the Generator Circuit Breakers in the "OFF" position.
2. Set the Engine speed switch to the "LOW" position, and allow the unit to cool for a few minutes.
3. Turn the Auto-Off/Reset-Manual switch, to the "Off/Reset" position.

Auto Starting/Stopping

1. With the Auto/Manual switch in the Auto position, the Auto Starting/Stopping controller monitors remote start contacts. Closure of the remote start contacts will begin engine cranking. When the contacts are opened cranking will stop. If cranking the engine will stop. All functions for the Automatic shutdown System work as in Manual Starting/stopping.
2. For cold weather conditions utilize the water heater until water is warm. If the engine still does not start, please operate as in Manual Starting.

Emergency Stopping

1. Place the Generator Circuit Breakers in the "OFF" position.
2. Turn the Auto-Off/Reset-Manual switch to the "Off/Reset" position.

M35200010

P/N M3552000103

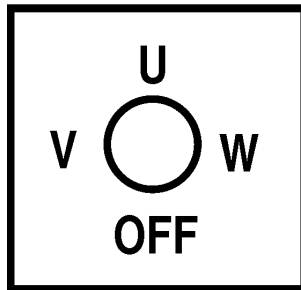
SAFETY INSTRUCTIONS

Improper operation of this machine can cause severe injury or death.

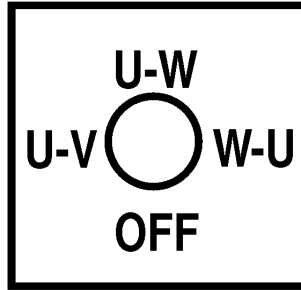
- Read the instruction manual carefully before operating or servicing. This machine should only be operated by a person with sufficient knowledge and skill to ensure safe operation. High voltage circuits are located inside the output terminal cover and control panel.
- Close the cover and control panel before operating. Moving parts and hot surfaces are contained within the enclosure.
- Close all doors and lock them before operating.

M92010030

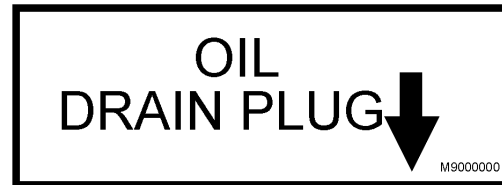
P/N M9520100304



P/N M9520000104



P/N M9520000204



P/N M950000004



P/N M9510200002

OVER CURRENT RELAY

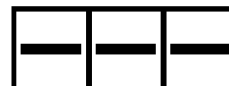
If it is Impossible to reset the CIRCUIT BREAKER, open the control panel and push the RESET BUTTON as below.

M92020010

P/N M9520200104



P/N M9500300104



P/N M9500300004




P/N M9500500004



P/N M9503000103


Figure 2. Generator Decals

DCA-400SSV— GENERATOR DECALS

	⚠ WARNING	⚠ WARNING	⚠ WARNING
	ELECTRIC SHOCK HAZARD <ul style="list-style-type: none"> Do not touch output terminals when this machine is operating. Turn power off before servicing 	ELECTRIC SHOCK HAZARD <ul style="list-style-type: none"> Always complete the grounding path from the ground terminal on this genset to an external grounding source. See instruction manual for details. 	<ul style="list-style-type: none"> Before connecting this generator to any building's electrical system, a licensed electrician must install an isolation (transfer) switch. Serious injury or death may result without this transfer switch

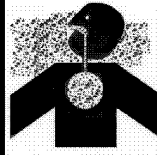
M9520 100503

P/N M9520100503

	⚠ WARNING
	HOT COOLANT can cause severe burns. <ul style="list-style-type: none"> Do not remove cap if radiator is hot.

M90310000

P/N M9503100004

	⚠ WARNING
	ENGINE EXHAUST can cause severe injury or death. <ul style="list-style-type: none"> Use only in open, well ventilated areas or vent exhaust outside.

M90320000

P/N M9503200004

DANGER
HIGH VOLTAGE


M9520100401

P/N M9520100404

⚠ CAUTION
Stop engine before switching

M9520100204

P/N M9520100204

	⚠ CAUTION
	MOVING PARTS can cause severe injury. <ul style="list-style-type: none"> Do not operate with doors open. Stop engine before servicing.


M90300000

P/N M9503000004

NOTE
To use 50 amp receptacles, adjust the voltage selector switch to the single phase position and the main line circuit breaker to the on position.


P/N M1500020

P/N M1550000204


	⚠ CAUTION
	HOT PARTS can burn skin. <ul style="list-style-type: none"> Do not touch until the machine has sufficiently cooled.

M91010000

P/N M9510100004

	⚠ WARNING
	ELECTRIC SHOCK HAZARD <ul style="list-style-type: none"> Do not touch output terminals while this machine is operating. Turn power off before servicing.

P/N M9520100503

	⚠ WARNING
	ELECTRIC SHOCK HAZARD <ul style="list-style-type: none"> Do not touch internal wiring or connections while this machine is operating. Turn power off before servicing.

M92010000

P/N M9520100004

⚠ CAUTION
This machine stops and starts Automatically and without notice.

P/N B15200010

P/N B15200010

Figure 3. Generator Decals (Cont inued)

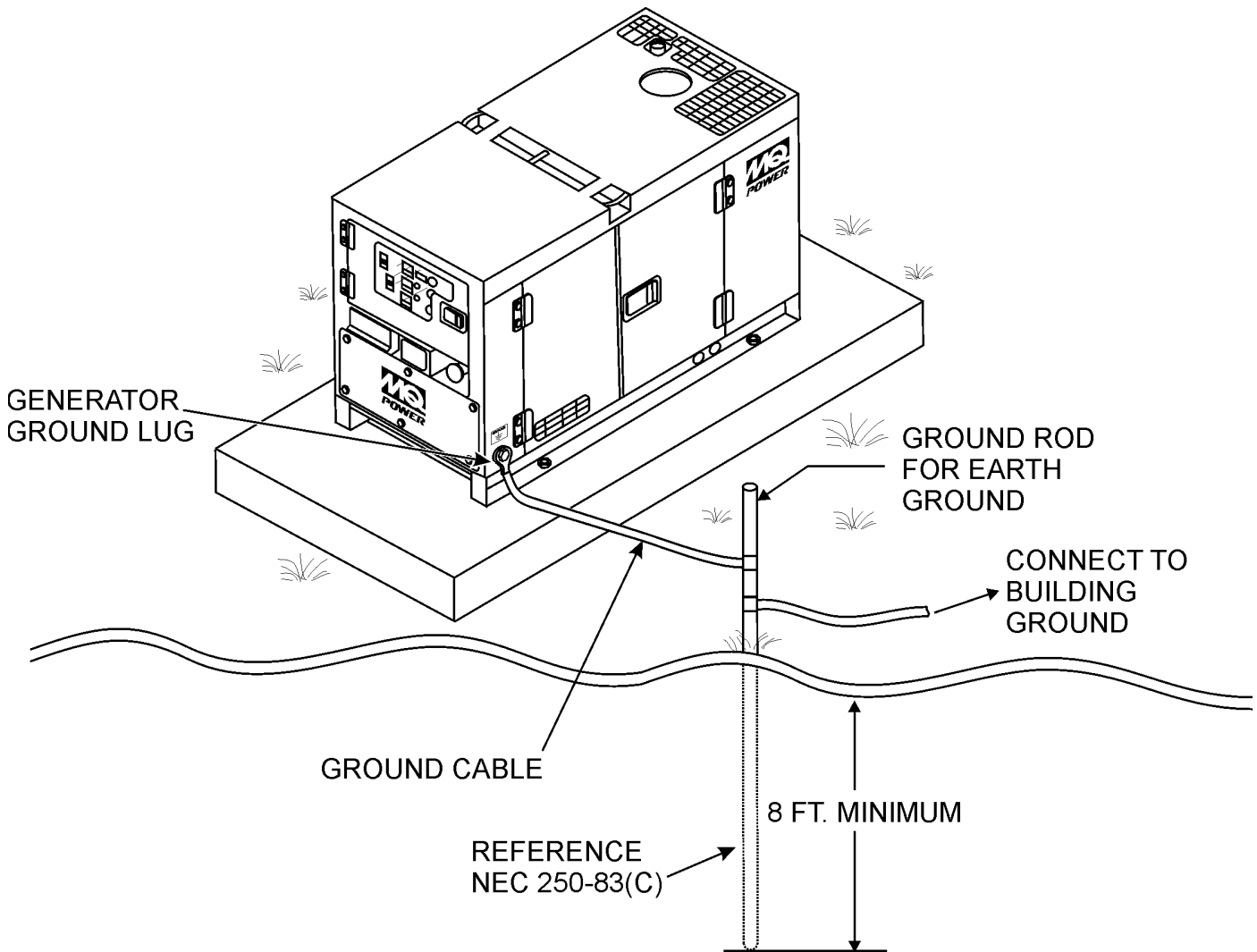


Figure 4. Typical Generator Grounding Application

Outdoor Installation

Install the generator in a area that is free of debris, bystanders, and overhead obstructions. Make sure the generator is on secure level ground so that it cannot slide or shift around. Also install the generator in a manner so that the exhaust will not be discharged in the direction of nearby homes.

The installation site must be relatively free from moisture and dust. All electrical equipment should be protected from excessive moisture. Failure to do will result in deterioration of the insulation and will result in short circuits and grounding.

Foreign materials such as dust, sand, lint and abrasive materials have a tendency to cause excessive wear to engine and alternator parts.

CAUTION - EXHAUST HAZARD

Pay close attention to ventilation when operating the generator inside tunnels and caves. The engine exhaust contains noxious elements. Engine exhaust must be routed to a ventilated area.

Indoor Installation

Exhaust gases from diesel engines are extremely poisonous. Whenever an engine is installed indoors the exhaust fumes must be vented to the outside. The engine should be installed at least two feet from any outside wall. Using an exhaust pipe which is too long or too small can cause excessive back pressure which will cause the engine to heat excessively and possibly burn the valves.

Mounting

The generator must be mounted on a solid foundation (such as concrete) and set firmly on the foundation to isolate vibration of the generator when it is running. The generator must set at least 6 inches above the floor or grade level (in accordance to NFPA 110, Chapter 5-4.1). **DO NOT** remove the metal skids on the bottom of the generator. They are to resist damage to the bottom of the generator and to maintain alignment.

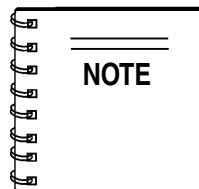
Generator Grounding

To guard against electrical shock and possible damage to the equipment, it is important to provide a good **EARTH** ground.

Article 250 (Grounding) of the National Electrical Code (NEC) provides guide lines for proper grounding and specifies that the cable ground shall be connected to the grounding system of the building as close to the point of cable entry as practical.

NEC articles 250-64(b) and 250-66 set the following grounding requirements:

1. Use one of the following wire types to connect the generator to earth ground.
 - a. Copper - 10 AWG (5.3 mm²) or larger.
 - b. Aluminum - 8 AWG (8.4 mm²) or larger.
2. When grounding the generator (Figure 4) connect the ground cable between the lock washer and the nut on the generator and tighten the nut fully. Connect the other end of the ground cable to earth ground.
3. NEC article 250-52(c) specifies that the earth ground rod should be buried a minimum of 8 ft. into the ground.



When connecting the generator to any buildings electrical system **ALWAYS** consult with a licensed electrician.

DCA-400SSVWhisperwatt™ Series Familiarization

Generator

The MQ Power Model DCA-400SSV is a 320 kW **generator** (Figure 5) that is designed as a high quality portable (requires a trailer for transport) power source for telecom sites, lighting facilities, power tools, submersible pumps and other industrial and construction machinery.

Engine Operating Panel

The "Engine Operating Panel" is provided with the following:

- Tachometer
- Emergency Stop Switch
- Water Temperature Gauge
- Oil Pressure Gauge
- Charging Ammeter Gauge
- Fuel Level Gauge
- Pre-Heat Button
- Engine Speed Switch
- Battery Switch
- Alarm (Water Temp., Oil Pressure, Fuel)

Generator Control Panel

The "Generator Control Panel" is provided with the following:

- Frequency Meter (Hz)
- AC Ammeter (Amps)
- AC Voltmeter (Volts)
- Ammeter Change-Over Switch
- Voltmeter Change-Over Switch
- Voltage Regulator
- Panel Light/Panel Light Switch
- 3-Pole, 1,000 amp Main Circuit Breaker
- "Control Box" (located behind the Gen. Control Panel)
 - Automatic Voltage Regulator
 - Current Transformer
 - Over-Current Relay
 - Voltage Rectifier
 - Starter Relay
 - Engine Controller (Computer Controlled)
 - Voltage Selector Switch

Output Terminal Panel

The "Output Terminal Panel" is provided with the following:

- Three 120/240V output receptacles (CS-6369), 50A
- Three auxilliary circuit breakers, 50A
- Two 120V output receptacles (GFCI), 20A
- Two GFCI circuit breakers, 20A
- Five output terminal lugs (3Ø power)
- Battery Charger (Optional)
- Water Heater (Optional)

Open Delta Excitation System

The DCA-400SSV generator is equipped with the state of the art "**Open-Delta**" excitation system. The open delta system consist of an electrically independent winding wound among stationary windings of the AC output section.

There are four connections of the open delta A, B, C and D. During steady state loads, the power from the voltage regulator is supplied from the parallel connections of A to B, A to D, and C to D. These three phases of the voltage input to the voltage regulator are then rectified and are the excitation current for the exciter section.

When a heavy load, such as a motor starting or a short circuit occurs, the automatic voltage regulator (AVR) switches the configuration of the open delta to the series connection of B to C. This has the effect of adding the voltages of each phase to provide higher excitation to the exciter section and thus better voltage response during the application of heavy loads.

The connections of the AVR to the AC output windings are for sensing only. No power is required from these windings.

The open-delta design provides virtually unlimited excitation current, offering maximum motor starting capabilities. The excitation does not have a "**fixed ceiling**" and responds according the demands of the required load.

Engine

The **DCA-400SSV** is powered by a 6 cylinder, water cooled, direct injection, turbocharged **VOLVO Model PENTA TAD1241GE Diesel Engine**. This engine is designed to meet every performance requirement for the generator. Reference Table 1 for engine specifications.

In keeping with MQ Power's policy of constantly improving its products, the specifications quoted herein are subject to change without prior notice.

Electric Governor System

The electric governor system controls the RPMs of the engine. When the engine demand increases or decreases, the governor system regulates the frequency variation to $\pm .25\%$.

Extension Cables

When electric power is to be provided to various tools or loads at some distance from the generator, extension cords are normally used. Cables should be sized to allow for distance in length and amperage so that the voltage drop between the generator and point of use (load) is held to a minimum. Use the cable selection chart (Table 6) as a guide for selecting proper extension cable size.

DCA-400SSV— MAJOR COMPONENTS

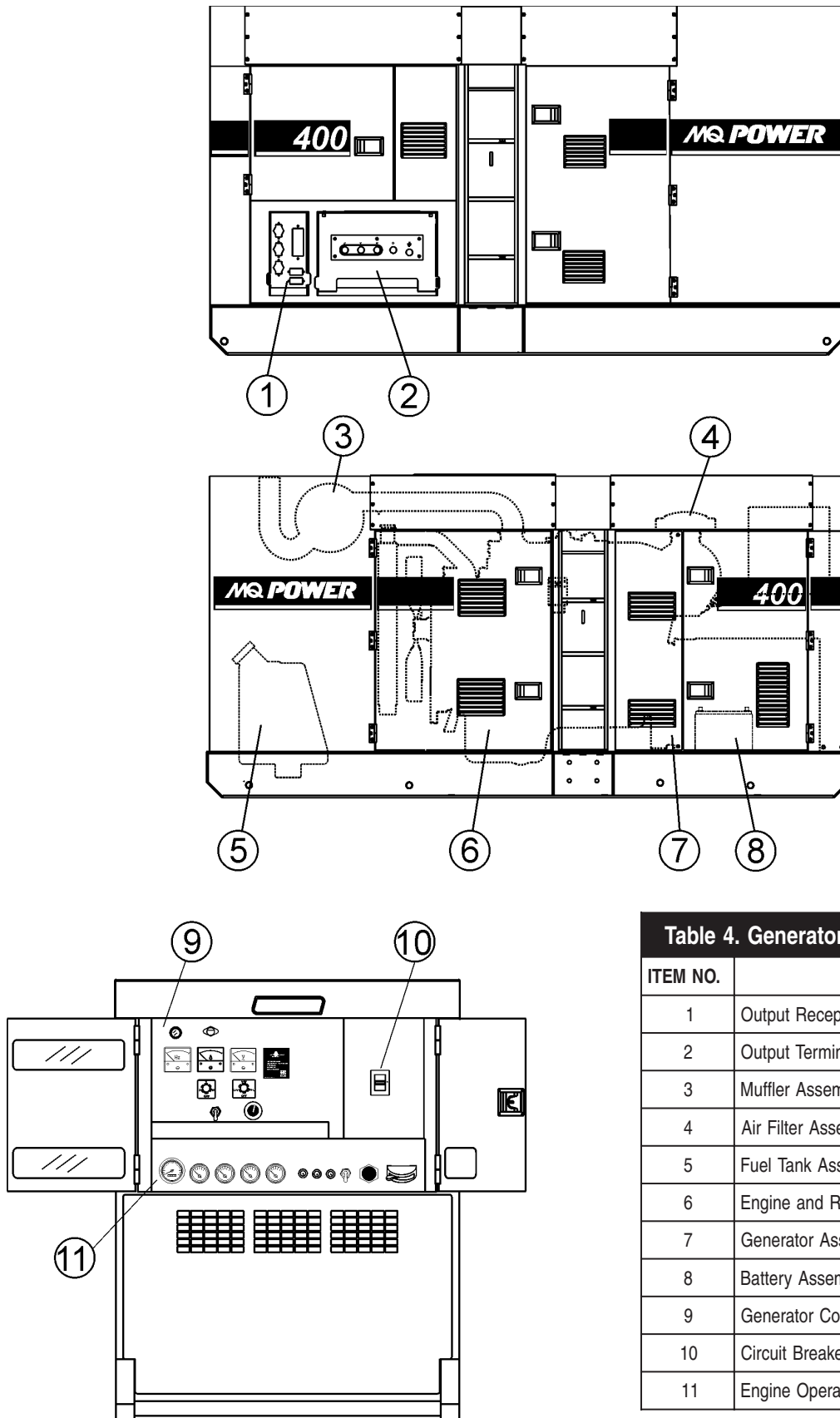


Table 4. Generator Major Components	
ITEM NO.	DESCRIPTION
1	Output Receptacles Assembly
2	Output Terminal Panel Assembly
3	Muffler Assembly
4	Air Filter Assembly
5	Fuel Tank Assembly
6	Engine and Radiator Assembly
7	Generator Assembly
8	Battery Assembly
9	Generator Control Panel Assembly
10	Circuit Breaker Assembly
11	Engine Operating Panel Assembly

Figure 5. Major Components

DCA-400SSV— GENERATOR CONTROL PANEL

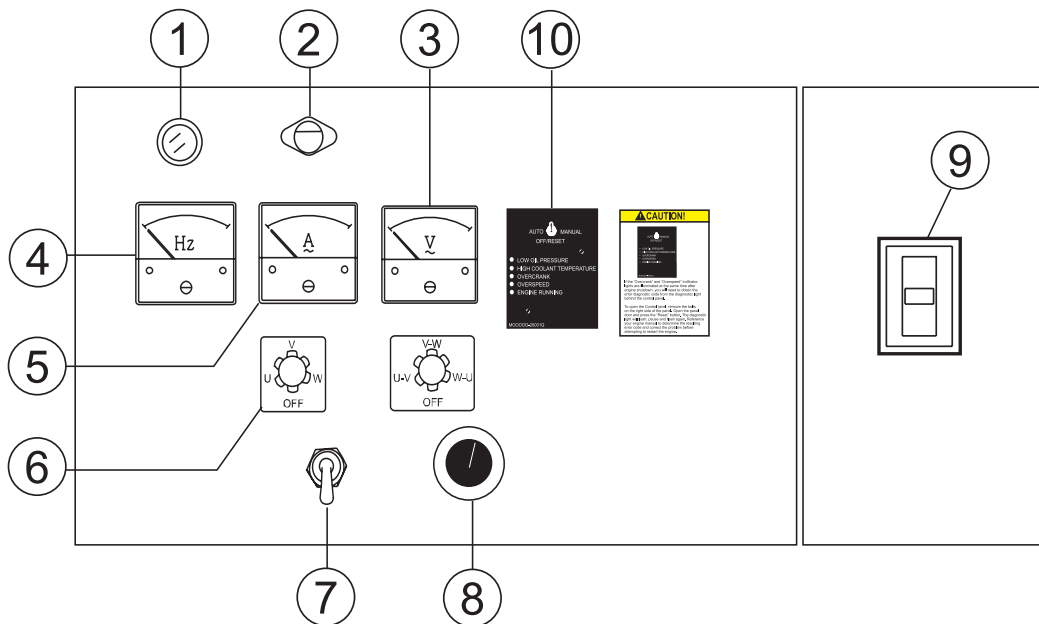


Figure 6. Generator Control Panel

The definitions below describe the controls and functions of the DCA-400SSV **Generator Control Panel** (Figure 6).

1. **Pilot Lamp** – Indicates the
2. **Panel Light** – Normally used in dark areas or at night time. When activated, panel lights will illuminate. When the generator is not in use be sure to turn the panel light switch to the **OFF** position.
3. **AC Voltmeter** – Indicates the output voltage present at the **U,V, and W Output Terminal Lugs**.
4. **Frequency Meter** – Indicates the output frequency in hertz (Hz). Normally 60 Hz.
5. **AC Ammeter** – Indicates the amount of current the load is drawing from the generator per leg selected by the ammeter phase-selector switch.
6. **Voltmeter Change-Over Switch** – This switch allows the AC voltmeter to indicate phase to phase voltage between any two phases of the output terminals or to be switched off.
7. **Ammeter Change-Over Switch** – This switch allows the AC ammeter to indicate the current flowing to the load connected to any phase of the output terminals, or to be switched off. This switch does not effect the generator output in any fashion, it is for current reading only.
8. **Panel Light Switch** – When activated will turn on control panel light.
9. **Voltage Regulator Control** – Allows $\pm 15\%$ manual adjustment of the generator's output voltage.
10. **Main Circuit Breaker** – This three-pole, 1,000 amp main breaker is provided to protect the the **U,V, and W Output Terminal Lugs** from overload.
11. **Auto On/Off Engine Controller (MPEC)** – This controller has a vertical row of status LED's (inset), that when lit, indicate that an engine malfunction (fault) has been detected. When a fault has been detected the engine controller will evaluate the fault and all major faults will shutdown the generator. During **cranking cycle**, The MPEC will attempt to crank the engine for 10 seconds before disengaging.



If the engine does not engage (start) by the third attempt, the engine will be shutdown by the engine controller's **Over Crank Protection** mode. If the engine engages at a speed (RPM's) that is not safe, the controller will shutdown the engine by initializing the **Over Speed Protection** mode.

DCA-400SSV— GENERATOR CONTROL PANEL

Also the engine controller will shut down the engine in the event of low oil pressure, high coolant temperature, low coolant level, and loss of magnetic pickup. These conditions can be observed by monitoring the **LED** status indicators on the front of the controller module.

A. MPEC Control Switch – This switch controls the running of the unit. If this switch is set to the **OFF/RESET** position, the unit will not run. When this switch is set to the **MANUAL** position, the generator will start immediately.

If the generator is to be connected to a building's AC power source via a transfer switch (isolation), place the switch in the **AUTO** position. In this position the generator will monitor the AC line output from the building's power source.

B. Low Oil Pressure – Indicates the engine pressure has fallen below 15 psi. The oil pressure is detected using variable resistive values from the oil pressure sending unit. This is considered a **major** fault.

C. High Coolant Temperature – Indicates the engine temperature has exceeded 239°F. The engine temperature is detected using variable resistive values from the temperature sending unit. This is considered a **major** fault.

D. Overcrank Shutdown – Indicates the unit has attempted to start a pre-programmed number of times, and has failed to start. The number of cycles and duration are programmable. It is pre-set at 3 cycles with a 10 second duration. This is considered a **major** fault.

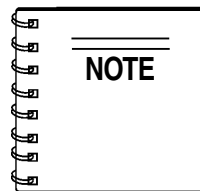
E. Overspeed Shutdown – Indicates the engine is running at an unsafe speed. This is considered a **major** fault.

F. Engine Running – Indicates that engine is running at a safe operating speed.

Located behind the generator control panel is the **Generator Control Box**. This box contains some of the necessary electronic components required to make the generator function.

The **Control Box** is equipped with the following major components:

- Over-Current Relay
- Voltage Rectifier (AVR)
- Starter Relay
- Current Transformer
- Voltage Selector Switch
- Three Phase Circuit Breaker



Remember the **overcurrent relay** monitors the current flowing from the **U, V, and W Output Terminal Lugs** to the load.

In the event of a short circuit or over current condition, it will automatically trip the 600 amp main breaker.

To restore power to the **Output Terminal Panel**, press the **reset** button on the overcurrent relay and place the **main** circuit breaker in the **closed** position (**ON**).

DCA-400SSV— ENGINE OPERATING PANEL

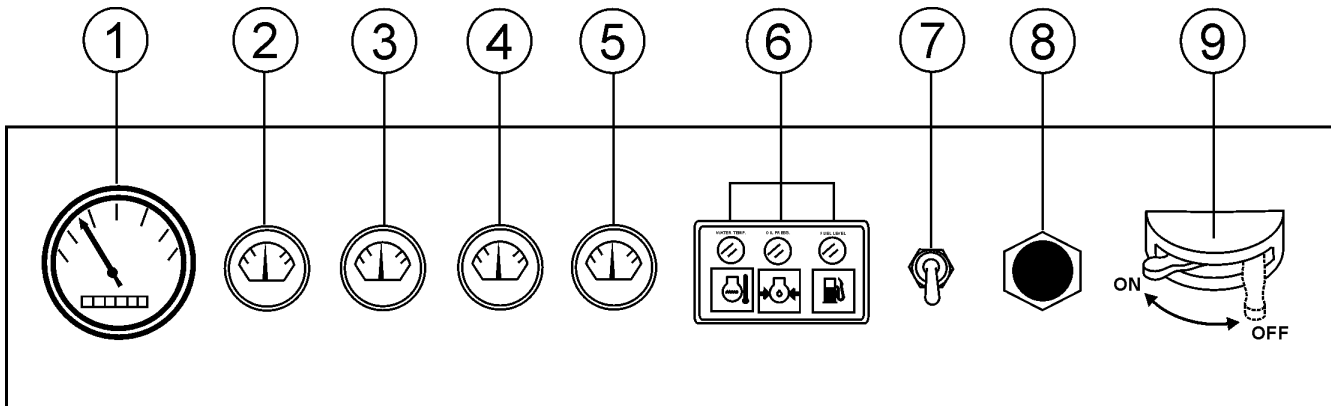


Figure 7. Engine Operating Panel

The definitions below describe the controls and functions of the DCA-400SSV *Engine Operating Panel* (Figure 7).

1. **Tachometer** – Indicates engine speed in RPM's for 60 Hz operation. This meter should indicate 1800 RPM's when the rated load is applied. In addition a built in hour meter will record the number of operational hours that the generator has been in use.
2. **Oil Pressure Gauge** – During normal operation this gauge be should read between 44 to 73 psi. (303~503 kPa). When starting the generator the oil pressure may read a little higher, but after the engine warms up the oil pressure should return to the correct pressure range.
3. **Water Temperature Gauge** – During normal operation this gauge be should read between 167° and 203°F.
4. **Charging Ammeter Gauge** – Indicates the current being supplied by the engine's alternator which provides current for generator's control circuits and battery charging system.
5. **Fuel Gauge** - Indicates amount of diesel fuel available.
6. **Engine Warning Lamps** – There are three engine warning lamps, they are defined as follows:

- A. **Overheat Lamp** – This lamp goes **ON** when the cooling water temperature rises abnormally. If the lamp goes **ON** during normal operation of the generator, the emergency shutdown device will stop the engine automatically.



- B. **Low Oil Pressure Lamp** – During normal operation of the generator this lamp should remain **OFF**. When the **Auto-OFF/Reset-Manual** switch is set to the “**Manual**” position to start the engine, the lamp will be lit. After the oil pressure rises after start-up the lamp will go **OFF**. If this lamp is ever lit (**ON**) during normal operation of the generator, the emergency shutdown device will stop the engine automatically.



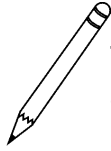
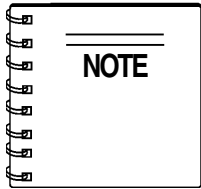
- C. **Low Fuel Level Lamp** – When this lamp is **ON**, it is time to stop the engine and add fuel. Remember to let the engine cool before adding fuel.
7. **Engine Speed Switch** – This switch controls the speed of the engine (low/high).
8. **Emergency Stop Button** – Push this button inward to stop the engine in the event of an emergency. **DO NOT** use this button as a means of stopping the engine.
9. **Battery Switch** – This switch should be set to the **ON** position during normal operation. When the engine has been stop, place this switch in the **OFF** position. **DO NOT** turn this switch during normal operation, it could cause damage to the electrical equipment.



DCA-400SSV— OUTPUT TERMINAL PANEL FAMILIARIZATION

Output Terminal Panel

The **Output Terminal Panel** (Figure 8) shown below is located on the right-hand side (left from control panel) of the generator. Lift up on the cover to gain access to receptacles and terminal lugs.



Terminal legs “O” and “Ground” are considered **bonded grounds**.

Output Terminal Familiarization

The “**Output Terminal Panel**” (Figure 8) is provided with the following:

- Three (3) 120/240V output receptacles @ 50 amp
- Three (3) Circuit Breakers @ 50 amps
- Two (2) 100V GFCI receptacles @ 20 amp
- Two (2) GFCI Circuit Breakers @ 20 amps
- Five (5) Output Terminal Lugs (U, V, W, O, Ground)

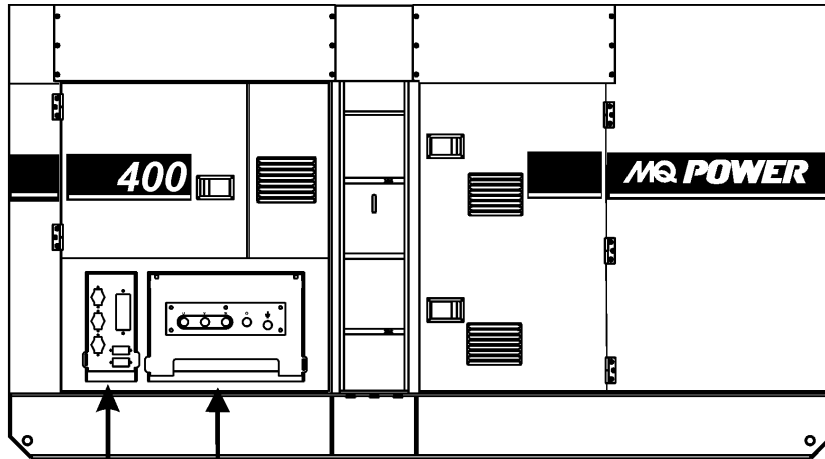
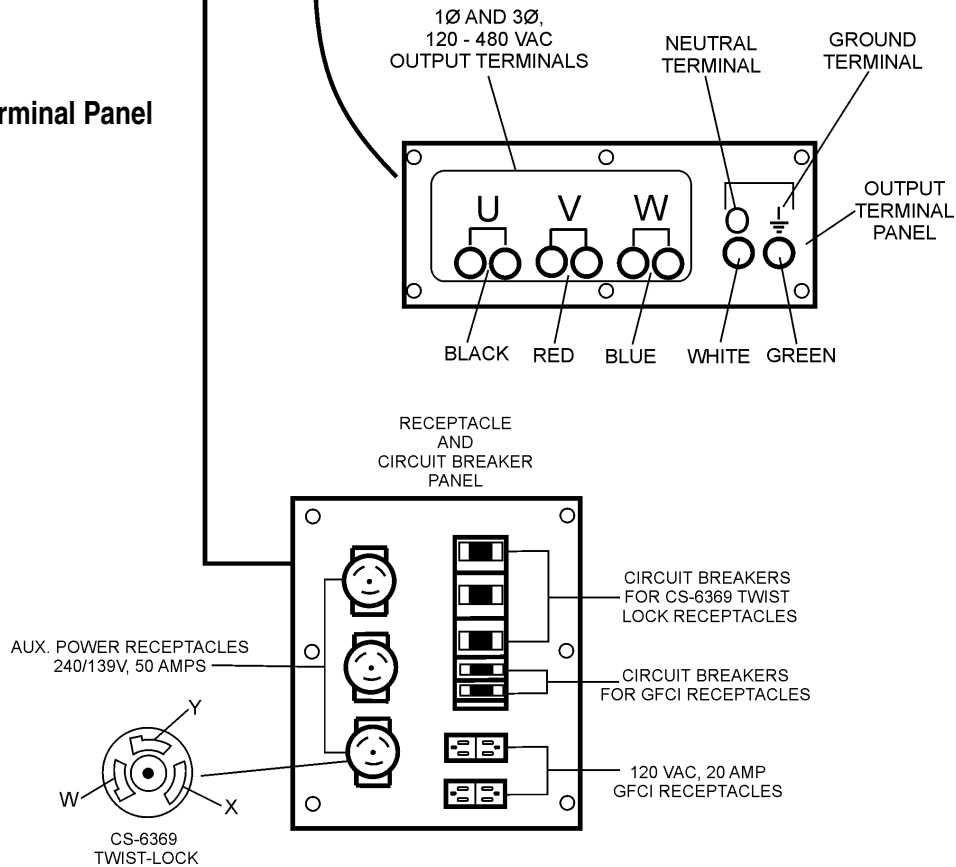


Figure 8. Output Terminal Panel



DCA-400SSV— OUTPUT TERMINAL PANEL FAMILIARIZATION

120 VAC GFCI Receptacles

There are two 120 VAC, 20 amp GFCI (Duplex Nema 5-20R) receptacles provided on the output terminal panel. These receptacles can be accessed in **any voltage selector switch** position. Each receptacle is protected by a 20 amp circuit breaker. These breakers are located directly above the GFCI receptacles. Remember the load output (current) of both GFCI receptacles is dependent on the load requirements of the U, V, and W output terminal lugs.

Pressing the **reset** button resets the GFCI receptacle after being tripped. Pressing the **Test Button** (See Figure 9) in the center of the receptacle will check the GFCI function. Both receptacles should be tested at least once a month.

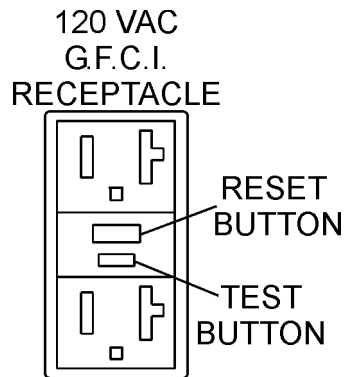


Figure 9. G.F.C.I. Receptacle

Twist Lock Dual Voltage 120/240 VAC Receptacles

There are three 120/240V, 50 amp auxilliary twist-lock (CS-6369) receptacles (Figure 10) provided on the output terminal panel. These receptacles can **only** be accessed when the voltage selector switch is placed in the **single-phase 240/120 position**.

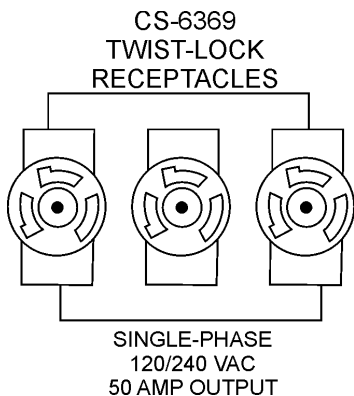


Figure 10. 120/240V Twist-Lock Auxiliary Receptacles

Each auxilliary receptacle is protected by a 50 amp circuit breaker. These breakers are located directly above the GFCI receptacles. Remember the load output (current) on all three receptacles is dependent on the load requirements of the **Output Terminal Lugs**.

Turn the **voltage regulator control knob** (Figure 11) on the control panel to obtain the desired voltage. Turning the knob clockwise will **increase** the voltage, turning the knob counter-clockwise will **decrease** the voltage.

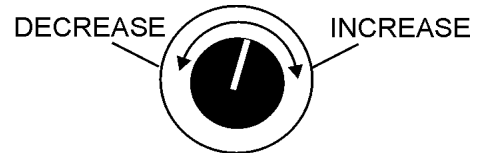


Figure 11. Voltage Regulator Control Knob

DCA-400SSV— OUTPUT TERMINAL PANEL FAMILIARIZATION

Connecting Loads

Loads can be connected to the generator by the **Output Terminal Lugs** or the convenience receptacles (Figure 12). Make sure to read the operation manual before attempting to connect a load to the generator.

To protect the output terminals from overload, a 3-pole, 1000A **main** circuit breaker is provided. Make sure to switch **ALL** circuit breakers to the **OFF** position prior to starting the engine.

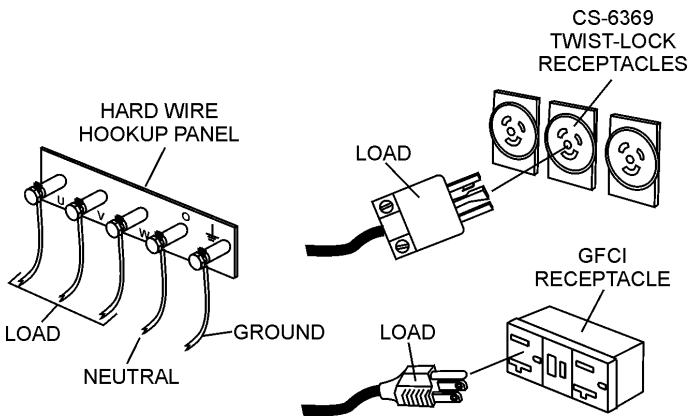


Figure 12. Connecting Loads

Over Current Relay

An **over current relay** (Figure 13) is connected to the main circuit breaker. In the event of an overload, both the circuit breaker and the over current relay may trip. If the circuit breaker can not be reset, the **reset button** on the over current relay must be pressed. The over current relay is located in the control box.

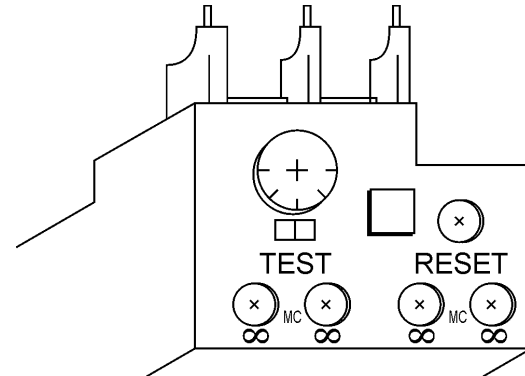


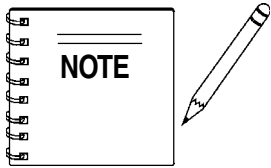
Figure 13. Over Current Relay

DCA-400SSV—LOAD APPLICATION

Single Phase Load

Always be sure to check the nameplate on the generator and equipment to insure the wattage, amperage, frequency, and voltage requirements are satisfactorily supplied by the generator for operating the equipment.

Generally, the wattage listed on the nameplate of the equipment is its rated output. Equipment may require 130—150% more wattage than the rating on the nameplate, as the wattage is influenced by the efficiency, power factor and starting system of the equipment.



If wattage is not given on the equipment's name plate, approximate wattage may be determined by multiplying nameplate voltage by the nameplate amperage.

$$\text{WATTS} = \text{VOLTAGE} \times \text{AMPERAGE}$$

The power factor of this generator is 0.8. See Table 5 below when connecting loads.

Table 5. Power Factor By Load

Type Of Load	Power Factor
Single-phase induction motors	0.4 - 0.75
Electric heaters, incandescent lamps	1.0
Fluorescent lamps, mercury lamps	0.4 - 0.9
Electronic devices, communication equipment	1.0
Common power tools	0.8

Table 6. Cable Selection (60 Hz, Single Phase Operation)

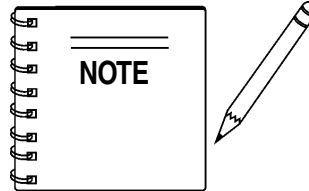
Current in Amperes	Load In Watts		Maximum Allowable Cable Length			
	At 100 Volts	At 200 Volts	#10 Wire	#12 Wire	#14 Wire	#16 Wire
2.5	300	600	1000 ft.	600 ft.	375 ft.	250 ft.
5	600	1200	500 ft.	300 ft.	200 ft.	125 ft.
7.5	900	1800	350 ft.	200 ft.	125 ft.	100 ft.
10	1200	2400	250 ft.	150 ft.	100 ft.	
15	1800	3600	150 ft.	100 ft.	65 ft.	
20	2400	4800	125 ft.	75 ft.	50 ft.	

CAUTION: Equipment damage can result from low voltage.

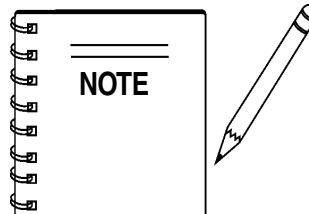
Three Phase Load

When calculating the power requirements for 3-phase power use the following equation:

$$\text{KVA} = \frac{\text{VOLTAGE} \times \text{AMPERAGE} \times 1.732}{1000}$$



If 3Ø load (kVA) is not given on the equipment nameplate, approximate 3Ø load output may be determined by multiplying voltage by amperage by 1.732.



Motors and motor-driven equipment draw much greater current for starting than during operation.

An inadequate size connecting cable which cannot carry the required load can cause a voltage drop which can burn out the appliance or tool and overheat the cable. See Table 6.

- When connecting a resistance load such as an incandescent lamp or electric heater, a capacity of up to the generating set's rated output (kW) can be used.
- When connecting a fluorescent or mercury lamp, a capacity of up to the generating set's rated output (kW) multiplied by 0.6 can be used.
- When connecting an electric drill or other power tools, pay close attention to the required starting current capacity.

When connecting ordinary power tools, a capacity of up to the generating set's rated output (kW) multiplied by 0.8 can be used.

DANGER - ELECTRICAL SYSTEM HAZARDS

Before connecting this generator to any building's electrical system, a **licensed electrician** must install an **isolation (transfer) switch**. Serious damage to the building's electrical system may occur without this transfer switch.

DCA-400SSV — GENERATOR OUTPUTS

Generator Output Voltages

A wide range of voltages are available to supply voltage for many different applications. Voltages are selected by applying jumpers (6) to the **voltage change-over board** (Figure 14). To obtain some of the voltages as listed in Table 6 (see below) will require a fine adjustment using the **voltage regulator (VR) control knob** located on the control panel.

Voltage Change-Over Board

The **voltage change-over board** (Figure 14) is located on the control box, behind the generator control panel. This board has been provided for ease of voltage selection.

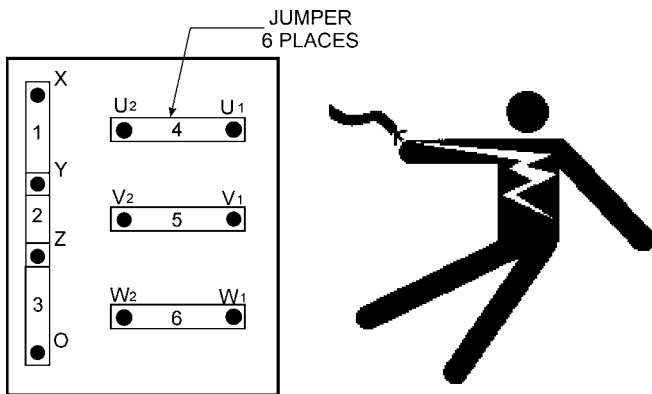


Figure 14. Voltage Change-Over Board

⚠ CAUTION - CHANGING VOLTAGES

NEVER attempt to place jumper plates on the **voltage change-over board** while the generator is in operation. There exist the possibility of **electrocution, electrical shock or burn, which can cause severe bodily harm or even death!**

Table 7. Voltages Available

	208V	220V	240V	416V	440V	480V
Three Phase (Switchable)						
Single Phase (Switchable)	120V	127V	139V	240V	254V	277V

Generator Amperage

Tables 8 and 9 describe the generator's current output capability for both 1Ø-phase and 3Ø phase applications.

Table 8. Generator Ampere Ratings — 1Ø

kW	120V	139V	240V	277V	480V
80	222	191	111	96	55
110	305	263	152	131	76
140	388	335	194	167	97
170	472	407	236	203	118
200	555	480	277	240	138
230	638	551	319	275	160
260	722	623	361	311	180
290	805	695	402	347	201
320 (Max)	889	767	444	383	222

These calculations reflect the maximum amount of current the generator can provide at each output terminal pair. To obtain the total generator amperage multiply by 3.

Example 1: 488.6 amps @ 120V per output terminal pair X 3 = 1,486 amps

Example 2: 244.3 amps @ 240V per output terminal pair X 3 = 733 amps

Table 9. Generator Ampere Ratings — 3Ø

KVA	240V	480V
100	240	120
130	312	156
160	384	192
190	457	228
220	529	264
250	601	300
280	674	337
310	746	373
340	818	409
370	890	445
400	962	481

DCA-400SSV— GENERATOR OUTPUTS/ GAUGE READING

Maximum Amps

Table 10 shows the *maximum* amps the generator can provide. **DO NOT** exceed the maximum amps as listed.

Table 10. Generator Maximum Amps	
Model	DCA-400SSV
Rated Voltage	Maximum Amps
Single Phase 120 Volt	888.9 amps (4 wire)
Single Phase 240 Volt	444.4 amps (4 wire)
Three Phase 240 Volt	962.3 amps
Three Phase 480 Volt	481.1 amps

How to Read the Output Terminal Gauge.

The AC ammeter and AC voltmeter change-over switches on the control panel **DO NOT** effect the generator output. They are provided to help observe how much power is being supplied, produced at the UVWO terminals lugs.

When the voltage change-over board is jumpered for 3Ø, 240V operation (See Figures 16 and 17), place the **AC Voltmeter Change-Over Switch** (See Figures 18 and 19) to the W-U position and the **AC Ammeter Change-Over Switch** (Figure 18) to the U or W position to read the output on the selected leg.

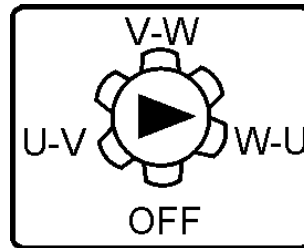


Figure 16. AC Voltmeter Change-Over Switch

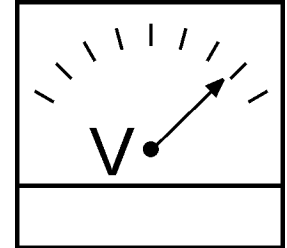


Figure 17. AC Voltmeter Gauge (Volt reading on W-U Lug)

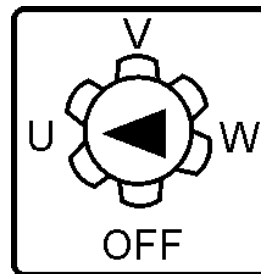


Figure 18. AC Ammeter Change-Over Switch

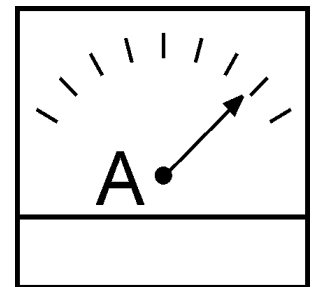


Figure 19. AC Ammeter Gauge (Amp reading on U lug)

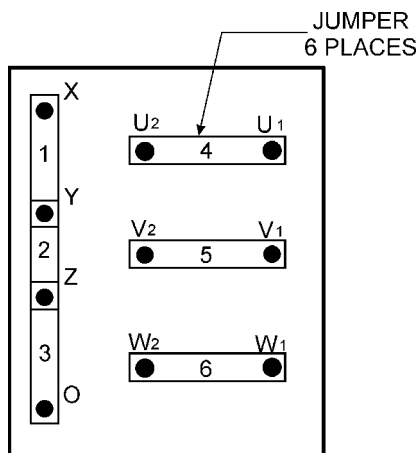
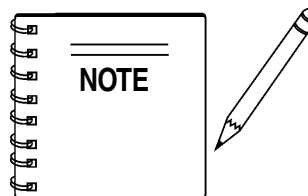


Figure 15. Voltage Change-Over Board 240V Configuration



The *ammeter* gauge will only show a reading when the **Output Terminal Lugs** are connected to a load and in use.

DCA-400SSV— OUTPUT TERMINAL PANEL CONNECTIONS

UVWO Terminal Output Voltages

Various output voltages can be obtained using the UVWO output terminal lugs. The voltages at the terminals are dependent on the placement of the jumpers plates (6) on the **Voltage Change-Over Board** and the adjustment of the **Voltage Regulator Control Knob**.

Remember the voltage change-over board determines the **range** of the output voltage and can be configured in two different positions that provide 6 different output voltages at the UVWO output terminals. The generator is shipped from the factory in the 240V configuration. The voltage regulator (VR) allows the user to increase or decrease the selected voltage.

3Ø-240V UVWO Terminal Output Voltages

1. Jumper the voltage change-over board for 240V operation as shown in Figure 20.

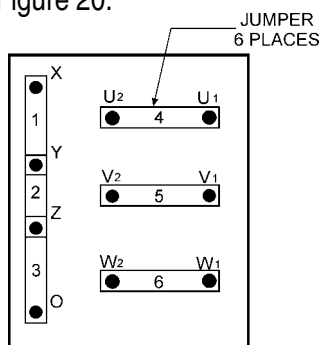


Figure 20. Voltage Change-Over Board
240V Configuration

2. Connect the load wires to the UVWO terminals as shown in Figure 21.

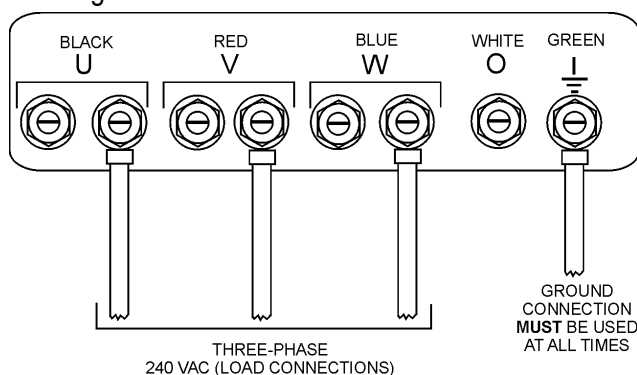


Figure 21. UVWO Terminal Lugs
3Ø-240V Connections

3. Turn the voltage regulator knob (Figure 22) clockwise to increase voltage output, turn counterclockwise to decrease voltage output. Use voltage regulator adjustment knob whenever fine tuning of the output voltage is required

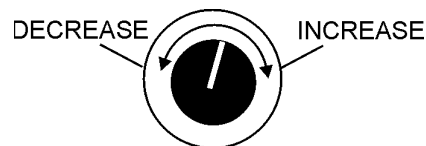


Figure 22. Voltage Regulator Knob

1Ø-240V UVWO Terminal Output Voltages

1. Make sure the voltage change-over board is jumpered for 240V operation as shown in Figure 20 .
2. Connect the load wires to the UVWO terminals as shown in Figure 23.

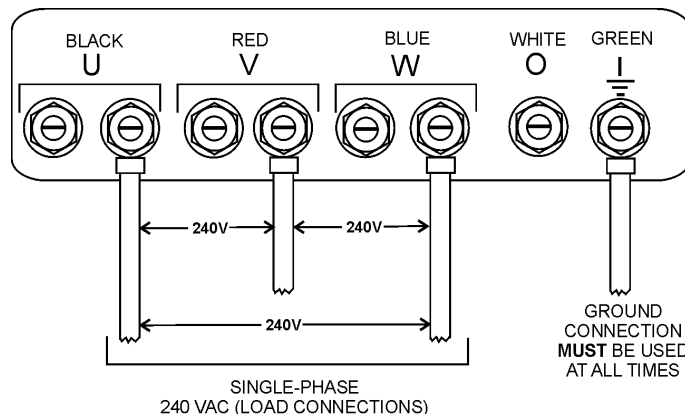


Figure 23. UVWO Terminal Lugs
1Ø-240V Connections

1Ø-139V UVWO Terminal Output Voltages

1. Make sure the voltage change-over board is jumpered for 240V operation as shown in Figure 20.
2. Connect the load wires to the UVWO terminals as shown in Figure 24.

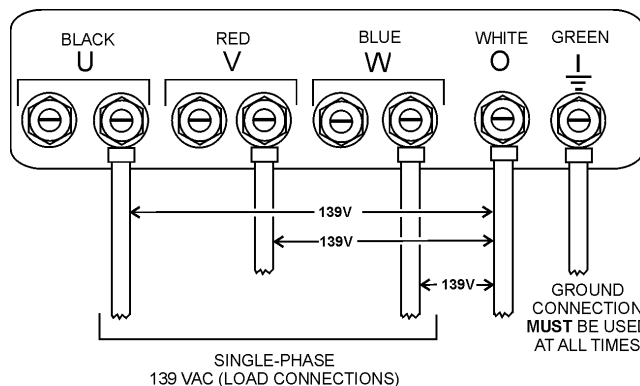


Figure 24. UVWO Terminal Lugs
1Ø-139V Connections

DCA-400SSV— OUTPUT TERMINAL PANEL CONNECTIONS

3Ø-480V UVW Terminal Output Voltages

1. Jumper the voltage change-over board for 480V operation as shown in Figure 25. This configuration uses 6 jumper plates in 3 different positions. Remember there are 2 jumper plates at every position. Every jumper plate **must** be used.

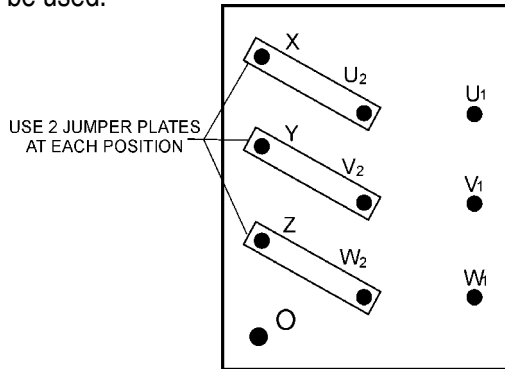


Figure 25. Voltage Change-Over Board 480V Configuration

2. Connect the load wires to the UVW terminals as shown in Figure 26.

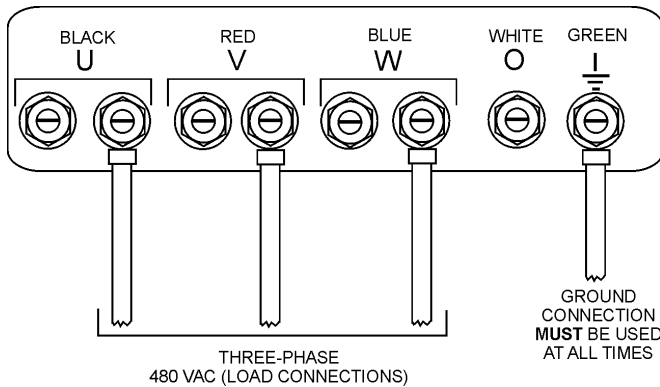
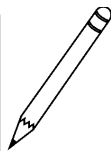
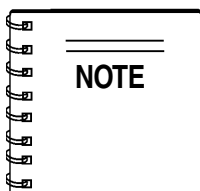


Figure 26. UVW Terminal Lugs 3Ø-480V Connections



ALWAYS make sure that the connections to the UVW terminals are **secure** and **tight**. The possibility of arcing exists, that could cause a fire.

1Ø-480V UVW Terminal Output Voltages

1. Make sure the voltage change-over board is jumpered for 480V operation as shown in Figure 25.
2. Connect the load wires to the UVW terminals as shown in Figure 27.

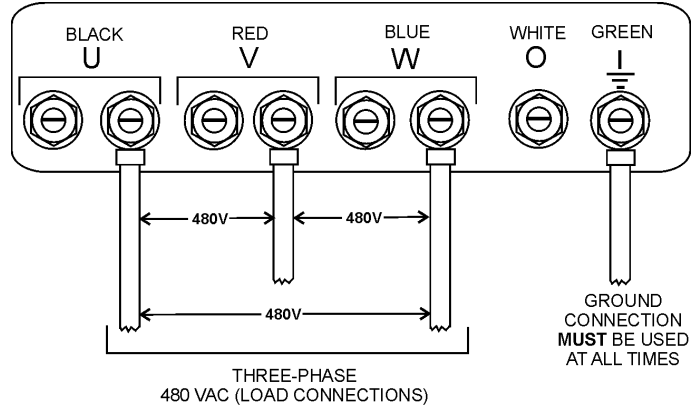


Figure 27. UVW Terminal Lugs 1Ø-480V Connections

1Ø-277V UVW Terminal Output Voltages

1. Make sure the voltage change-over board is jumpered for 480V operation as shown in Figure 25.
2. Connect the load wires to the UVW terminals as shown in Figure 28.

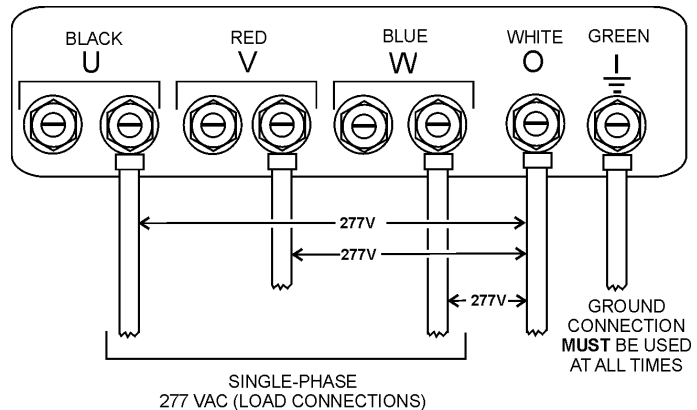


Figure 28. UVW Terminal Lugs 1Ø-277V Connections

Circuit Breakers

To protect the generator from an overload, a 3-pole, 600 amp, **main** circuit breaker is provided to protect the **U, V, and W Output Terminals** from overload. In addition two single-pole, 20 amp **GFCI** circuit breakers are provided to protect the GFCI receptacles from overload. Three 50 amp **load** circuit breakers have also been provided to protect the auxiliary receptacles from overload. Make sure to switch **ALL** circuit breakers to the **OFF** position prior to starting the engine.

Lubrication Oil

Fill the engine crankcase with lubricating oil through the filler hole, but **DO NOT** overfill. Make sure the generator is level. and verify that the oil level is maintained between the two notches (Figure 29) on the dipstick. See Table 11 for proper selection of engine oil.

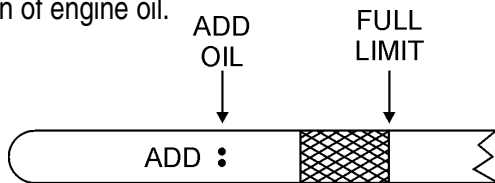


Figure 29. Engine Oil Dipstick

When checking the engine oil, be sure to check if the oil is clean. If the oil is not clean, drain the oil by removing the oil drain plug, and refill with the specified amount of oil as outlined in the **Volvo Engine Owner's Manual**. Oil should be warm before draining.

Other types of motor oils may be substituted if they meet the following requirements:

- API Service Classification CC/SC
- API Service Classification CC/SD
- API Service Classification CC/SE
- API Service Classification CC/SF

Table 11. Recommended Motor Oil		OIL: SAE	
°F	°C		
122	50	10W/40	30
104	40	10W/40	30
86	30	10W/40	30
68	20	10W/40	30
50	10	10W/40	30
32	0	10W/40	30
-14	-10	5W/30	15W/30
-4	-20	5W/30	10W/30
-22	-30	5W/30	10W
-40	-40	ARCTIC OIL	20W/40

Fuel Check

! DANGER - EXPLOSION/FIRE HAZARDS

Fuel spillage on a **hot** engine can cause a **fire** or **explosion**. If fuel spillage occurs, wipe up the spilled fuel completely to prevent fire hazards. **NEVER** smoke around or near the generator.



Refilling the Fuel System

! CAUTION - REFUELING THE GENERATOR

ONLY properly trained personel who have read and understand this section should refill the fuel tank system.

This generator has an internal fuel tank located inside the trailer frame and may also be equipped with an environmental fuel tank (Figure 30). **ALWAYS** fill the fuel tanks with clean fresh **#2 diesel fuel**. **DO NOT** fill the fuel tanks beyond their capacities.

Pay attention to the fuel tank capacity when replenishing fuel. The fuel tank cap must be closed tightly after filling. Handle fuel in a safety container. If the container does not have a spout, use a funnel. Wipe up any spilled fuel immediately.

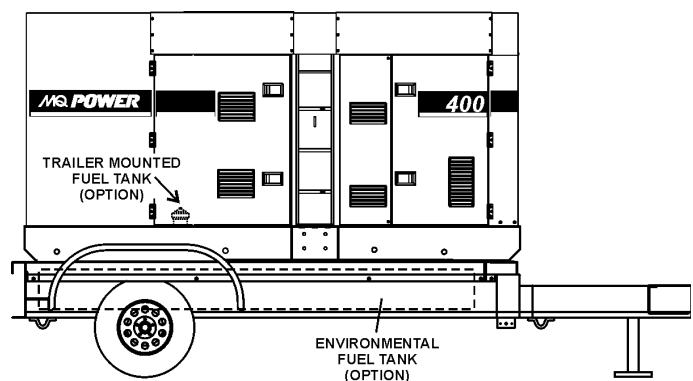


Figure 30. Internal Fuel Tank System

Refueling Procedure:

! WARNING - RESPIRATORY HAZARDS

Diesel fuel and its vapors are dangerous to your health and the surrounding environment. Avoid skin contact and/or inhaling fumes.



1. **Level Tanks** – Make sure fuel cells are level with the ground. Failure to do so will cause fuel to spill from the tank before reaching full capacity (Figure 31).

! CAUTION - REFUELING THE GENERATOR

ALWAYS place trailer on firm level ground before refueling to prevent spilling and maximize the amount of fuel that can be pumped into the tank.

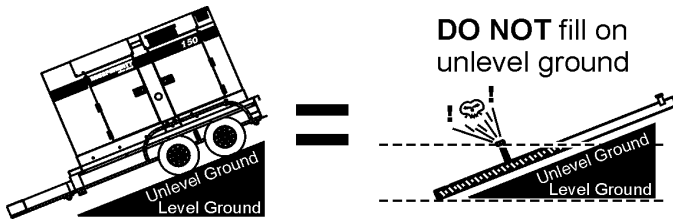
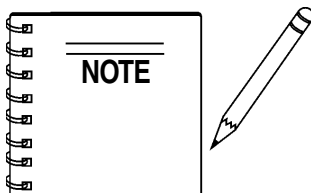


Figure 31. Only Fill on Level Ground



ONLY! use #2 diesel fuel when refueling.

3. Open cabinet doors on the “right side” of the generator (from generator control panel position). Remove fuel cap and fill tank (Figure 32).

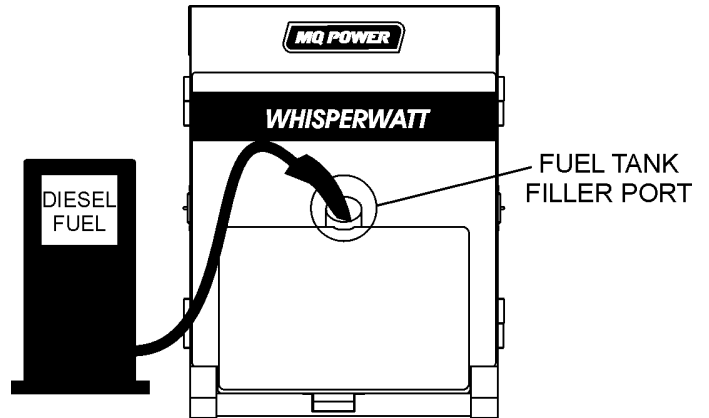


Figure 32. Fueling the Generator

3. **NEVER** overfill fuel tank – It is important to read the fuel gauge when filling trailer fuel tank. **DO NOT** wait for fuel to rise in filler neck (Figure 33).

FUEL GAUGE LOCATED ON CONTROL PANEL

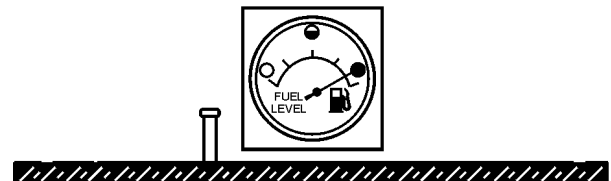


Figure 33. Full Fuel Tank

! CAUTION - REFUELING THE GENERATOR

DO NOT OVER-FILL fuel system. Leave room for fuel expansion. Fuel expands when heated (Figure 34).




Figure 34. Fuel Expansion

Coolant (Antifreeze/Summer Coolant/Water)

VOLVO recommends VOLVO antifreeze/summer coolant for use in their engines, which can be purchased in concentrate (and mixed with 50% demineralized water) or pre-diluted. See the **VOLVO Engine Owner's Manual** for further details.

! WARNING - BURN HAZARDS

If adding coolant/antifreeze mix to the radiator, **DO NOT** remove the radiator cap until the unit has completely cooled. The possibility of **hot!** coolant exists which can cause severe burns.



Day-to-day addition of coolant is done from the recovery tank. When adding coolant to the radiator, **DO NOT** remove the radiator cap until the unit has completely cooled. See Table 12 for engine, radiator, and recovery tank coolant capacities. Make sure the coolant level in the recovery tank is always between the "H" and the "L" markings.

Table 12. Coolant Capacity

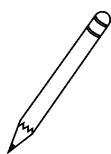
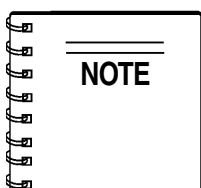
Engine and Radiator	4.8 Gal. (18 liters)
Reserve Tank	2 Quarts (1.9 liters)

Operation Freezing Weather

When operating in freezing weather, be certain the proper amount of antifreeze (Table 13) has been added.

Table 13. Anti-Freeze Operating Temperatures

Vol % Anti-Freeze	Freezing Point	
	°C	°F
50	-37	-34



When the antifreeze is mixed with water, the antifreeze mixing ratio **must be** less than 50%.

Cleaning the Radiator

The engine may overheat if the radiator fins become overloaded with dust or debris. Periodically clean the radiator fins with compressed air. Cleaning inside the machine is dangerous, so clean only with the engine turned off and the **negative** battery terminal disconnected.

Air Cleaner

Periodic cleaning/replacement is necessary. Inspect it in accordance with the **VOLVO Engine Owner's Manual**.

Fan Belt Tension

A slack fan belt may contribute to overheating, or to insufficient charging of the battery. Inspect the fan belt for damage and wear and adjust it in accordance with the **VOLVO Engine Owner's Manual**.

The fan belt tension is proper if the fan belt bends 10 to 15 mm (Figure 35) when depressed with the thumb as shown below.

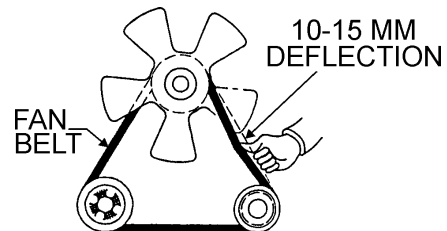
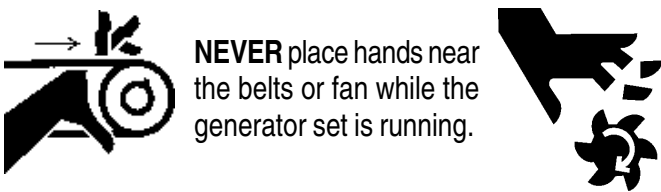


Figure 35. Fan Belt Tension

! CAUTION - ROTATING PARTS

NEVER place hands near the belts or fan while the generator set is running.



Battery

This unit is of negative ground **DO NOT** connect in reverse. Always maintain battery fluid level between the specified marks. Battery life will be shortened, if the fluid level are not properly maintained. Add only distilled water when replenishment is necessary.

DO NOT over fill. Check to see whether the battery cables are loose. Poor contact may result in poor starting or malfunctions. **Always** keep the terminals firmly tightened. Coating the terminals with an approved battery terminal treatment compound. Replace battery with only recommended type battery. The battery type used in this generator is BCI Group 27.

The battery is sufficiently charged if the specific gravity of the battery fluid is 1.28 (at 68° F). If the specific gravity should fall to 1.245 or lower, it indicates that the battery is dead and needs to be recharged or replaced.

Before charging the battery with an external electric source, be sure to disconnect the battery cables.

Battery Cable Installation

ALWAYS be sure the battery cables (Figure 36) are properly connected to the battery terminals as shown below. The **Red Cable** is connected to the positive terminal of the battery, and the **Black Cable** is connected to the negative terminal of the battery.

CAUTION - BATTERY SERVICING SAFETY

ALWAYS disconnect the negative terminal **FIRST** and reconnect negative terminal **LAST**.

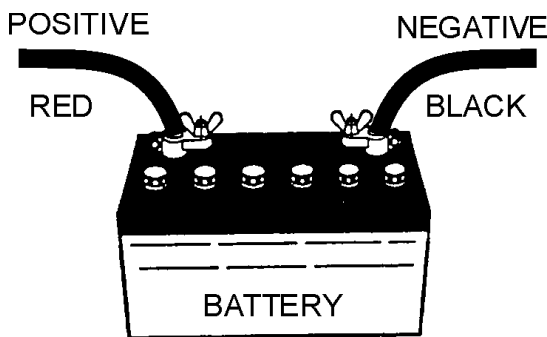
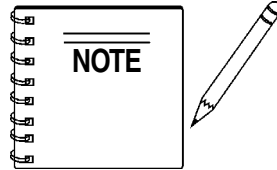


Figure 36. Battery Connections

When connecting battery do the following:

1. **NEVER** connect the battery cables to the battery terminals when the **MPEC Control Switch** is in either the **MANUAL** position. **ALWAYS** make sure that the **MPEC Control Switch** is in the **OFF/RESET** position when connecting the battery.
2. Place a small amount of battery terminal treatment compound around both battery terminals. This will ensure a good connection and will help prevent corrosion around the battery terminals.



If the battery cable is connected incorrectly, electrical damage to the generator will occur. Pay close attention to the polarity of the battery when connecting the battery.

CAUTION - BATTERY SERVICING SAFETY

Inadequate battery connections may cause poor starting of the generator, and create other malfunctions.

Alternator

The polarity of the alternator is negative grounding type. When an inverted circuit connection takes place, the circuit will be in short circuit instantaneously resulting the alternator failure.

DO NOT put water directly on the alternator. Entry of water into the alternator can cause corrosion and damage the alternator.

Wiring

Inspect the entire generator for bad or worn electrical wiring or connections. If any wiring or connections are exposed (insulation missing) replace wiring immediately.

Piping and Hose Connection

Inspect all piping, oil hose, and fuel hose connections for wear and tightness. Tighten all hose clamps and check hoses for leaks.

If any hose (**fuel** or **oil**) lines are defective replace them immediately.

DCA-400SSV— GENERATOR START-UP PROCEDURE (MANUAL)

Before Starting

⚠ CAUTION - LETHAL EXHAUST HAZARD

The engine's exhaust contains harmful emissions. **ALWAYS have adequate ventilation when operating.** Direct exhaust away from nearby personnel.

⚠ WARNING - STARTING THE GENERATOR

NEVER! manually start the engine with the **main, GFCI** or **auxiliary** circuit breakers in the **ON** (closed) position.

1. Place the **main, G.F.C.I.,** and **aux.** circuit breakers (Figure 37) in the **OFF** position prior to starting the engine.

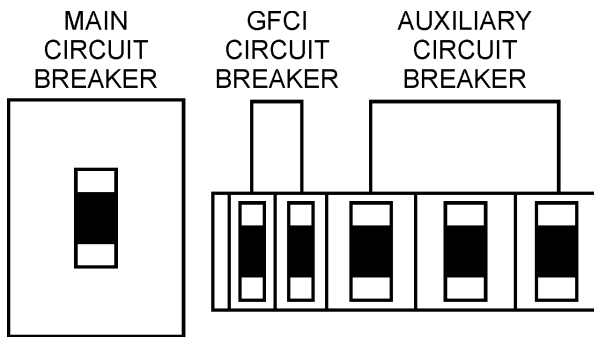


Figure 37. Main, Aux. and GFCI Circuit Breakers (OFF)

2. Make sure the the **voltage change-over board** has been configured for the desired output voltage.
3. Connect the load to the **receptacles** or the **output terminal lugs** as shown in Figure 12. These load connection points can be found on the output terminal panel and the output terminal panel's hard wire hookup panel.
4. Tighten terminal nuts securely to prevent load wires from slipping out.
5. Close all engine enclosure doors (Figure 38).

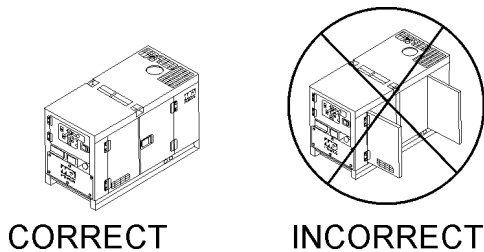


Figure 38. Engine Enclosure Doors

Starting (Manual)

1. In cold weather conditions, press and hold the **pre-heat button** (Figure 39) for at least 50 seconds to warm the engine glow plugs.

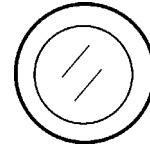


Figure 39. Pre-Heat Button

2. Place the engine speed switch (Figure 40) in the “**LOW**” (down) position.



Figure 40. Engine Speed Switch (Low)

3. Once the engine glow plugs have been warmed, place the **MPEC Control Switch** in the **MANUAL** position to start the engine (Figure 41).

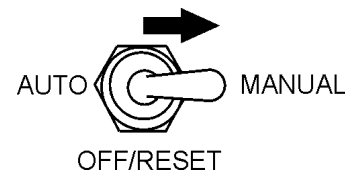


Figure 41. MPEC Control Switch (Manual Position)

4. Once the engine starts, let it engine run for 1-2 minutes. Listen for any abnormal noises. If any abnormalities exists shutdown the engine and correct the problem. If the engine is running smoothly, place the engine speed switch (Figure 42) in the “**HIGH**” (up) position.



Figure 42. Engine Speed Switch (High)

5. Verify that the **Engine Running** status LED on the MPEC unit (Figure 43) is **ON** (lit) after the engine has been started.

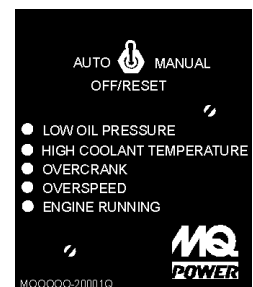


Figure 43. Engine Running LED (ON)

DCA-400SSV— GENERATOR START-UP PROCEDURE (MANUAL)

6. The generator's frequency meter (Figure 44) should be displaying the 60 cycle output frequency in **HERTZ**.

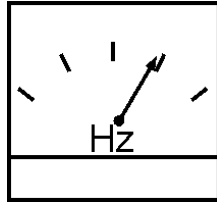


Figure 44. Frequency Meter (Hz)

7. The generator's AC-voltmeter (Figure 45) will display the generator's output in **VOLTS**. If the voltage is not within the specified tolerance, use the voltage adjustment control knob (Figure 46) to increase or decrease the desired voltage.

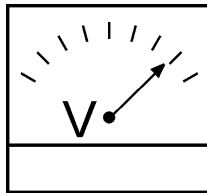


Figure 46. Voltmeter



Figure 46. Voltage Adjust Control Knob

8. The ammeter (Figure 47) will indicate **zero amps** with no load applied. When a load is applied, the ammeter will indicate the amount of current that the load is drawing from the generator.

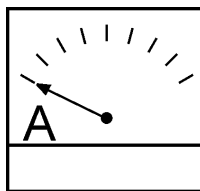


Figure 47. Ammeter (No Load)

9. The engine oil pressure gauge (Figure 48) will indicate the oil pressure of the engine. Under normal operating conditions the oil pressure is approximately 44 to 73 psi. (303~503 kPa). When starting the genera

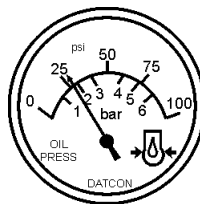


Figure 48. Oil Pressure Gauge

10. The **coolant temperature gauge** (Figure 49) will indicate the coolant temperature. Under normal operating conditions the coolant temperature should be between 165 and 203 degrees Fahrenheit (**Green Zone**).

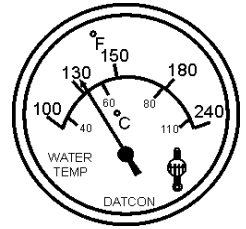


Figure 49. Coolant Temperature Gauge

11. The **tachometer gauge** (Figure 50) will indicate the speed of the engine when the generator is operating. Under normal operating conditions this speed is approximately 1600 RPM's.

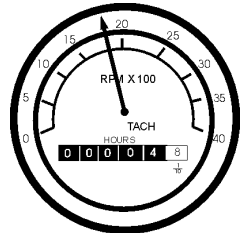


Figure 50. Engine Tachometer Gauge

12. Place the **main**, **GFCI**, and **aux.** circuit breakers in the **ON** position (Figure 51).

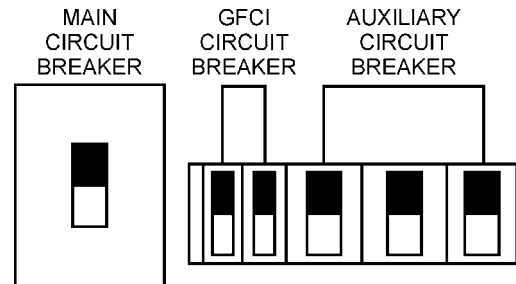


Figure 51. Main, Aux. and GFCI Circuit Breakers (ON)

13. Observe the generator's ammeter (Figure 52) and verify it reads the anticipated amount of current with respect to the load. The ammeter will only display a current reading if a load is in use.

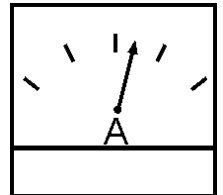


Figure 52. Ammeter (Load)

14. The generator will run until manually stopped or an abnormal condition occurs.

DCA-400SSV— GENERATOR START-UP PROCEDURE (AUTO MODE)

Starting (Auto Mode)

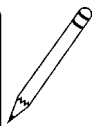
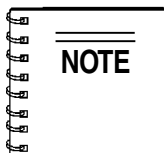
! DANGER - ELECTRICAL SYSTEM HAZARDS

Before connecting this generator to any building's electrical system, a **licensed electrician** must install an **isolation (transfer) switch**. Serious damage to the building's electrical system may occur without this transfer switch.



! CAUTION - BACKUP GENERATOR USE

When connecting the generator to a isolation (transfer) switch, **ALWAYS** have power applied to the generator's internal battery charger. This will ensure that the engine will not fail due to a dead battery.



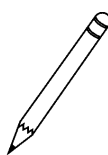
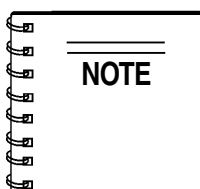
When the generator is set in the **AUTO** mode, the generator will **automatically start** in the event of commercial power falling below a prescribed level by means of a contact closure that is generated automatically by a transfer switch.

! WARNING - AUTO MODE MAINTENANCE

When running the generator in the **AUTO** mode, remember the generator can start up at any time without warning. **NEVER** attempt to perform any maintenance when the generator is in the auto mode.

! CAUTION - ENGINE SPEED SWITCH

The **Engine Speed Switch** **must** be set to the "**High**" position when running in the **Auto-Start** mode. Failing to set the switch in the proper position can result in damage to your generator when it turns on.



When the **MPEC Control Switch** is placed in the **AUTO** position, the engine glow plugs will be warmed and the engine will start automatically.

When starting generator in **AUTO** mode use the "**Manual Start-up**" procedure except where noted (see below).

1. Perform steps 1 through 5 in the **Before Starting** section as outlined in the **Manual Starting Procedure**.
2. Place the **engine speed switch** (Figure 53) in the **HIGH** position

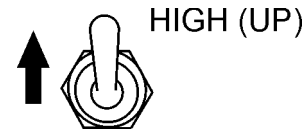


Figure 53. Engine Speed Switch (High)

3. Place the **MPEC Control Switch** (Figure 54) in the **AUTO** position



Figure 54. MPEC Control Switch (AUTO)

4. Continue operating the generator as outlined in the **Manual Start-up** procedure (start at step 5).

DCA-400SSV— GENERATOR SHUT-DOWN PROCEDURES

! WARNING - SHUTTING DOWN THE GENERATOR
NEVER stop the engine suddenly except in an emergency.

Normal Shutdown Procedure

To shutdown the generator use the following procedure:

1. Place both the **MAIN**, **GFCI** and **LOAD** circuit breakers as shown in Figure 38 to the **OFF** position.
2. Place the engine speed switch (Figure 55) in the “**LOW**” (down) position.



Figure 55. Engine Speed Switch (Low)

3. Let the engine cool by running it at low speed for 3-5 minutes with no load applied.
4. Place the **MPEC Control Switch** (Figure 56) to the **OFF/RESET** position.



Figure 56. MPEC Control Switch (Off/Reset)

5. Verify that the ***all*** status LED on the MPEC display are **OFF** (not lit).
6. Remove all loads from the generator.
7. Inspect entire generator for any damage or loosening of components that may have occurred during operation.

Emergency Shutdown Procedure

1. To stop the engine in the event of an emergency, **PUSH** the emergency stop button (Figure 57) inward. This button is located on the engine operating panel, see Figure 7.

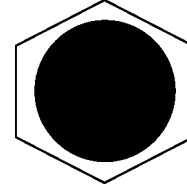


Figure 57. Emergency Stop Button

TABLE 14. INSPECTION/MAINTENANCE		10 Hrs DAILY	250 Hrs	500 Hrs	1000 Hrs
ENGINE	Check Engine Fluid Levels	X			
	Check Air Cleaner	X			
	Check Battery Acid Level	X			
	Check Fan Belt Condition	X			
	Check for Leaks	X			
	Check for Loosening of Parts	X			
	Replace Engine Oil and Filter * 1		X		
	Clean Air Filter		X		
	Check Fuel Filter/Water Separator Bowl	X			
	Clean Unit, Inside and Outside		X		
	Change Fuel Filter			X	
	Clean Radiator and Check Coolant Protection Level*2			X	
	Replace Air Filter Element * 3			X	
	Check all Hoses and Clamps * 4				X
Clean Inside of Fuel Tank				X	
GENERATOR	Measure Insulation Resistance Over 3M ohms		X		
	Check Rotor Rear Support Bearing			X	

*1 Replace engine oil and filter at 100 hours, first time only.

*2 Add "Supplemental Coolant Additives (SCA'S)" to recharge the engine coolant.

*3 Replace primary air filter element when restriction indicator shows a vacuum of 625 mm (25 in. H₂O).

*4 If blowby hose needs to be replaced, ensure that the slope of the blowby hose is at least a 1/2 inch per foot, with no sags or dips that could collect moisture and/or oil.

General Inspection

Prior to each use, the generator should be cleaned and inspected for deficiencies. Check for loose, missing or damaged nuts, bolts or other fasteners. Also check for fuel, oil, and coolant leaks. Use Table 14 as a general maintenance guideline **Engine Side** (Refer to the Engine Instruction Manual)

Air Cleaner

Every 250 hours: Remove air cleaner element (Figure 59) and clean the heavy duty paper element with light spray of compressed air. Replace the air cleaner as needed.

Air Cleaner with Dust Indicator

This indicator (Figure 58) is attached to the air cleaner. When the air cleaner element is clogged, air intake restriction becomes greater and the dust indicator signal shows **RED** meaning the element needs changing or service. After changing the air element, press the dust indicator button to reset the indicator.

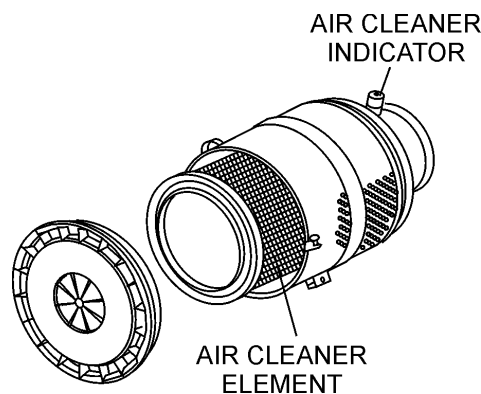
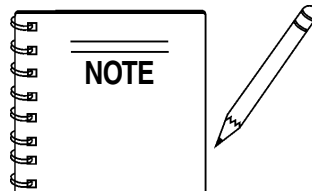


Figure 58. Air Cleaner/Indicator



The air filter should not be changed until the indicator reads "**RED**". Dispose of old air filter it may not be cleaned or reused.

Service Daily

If the engine is operating in very **dusty** or **dry grass** conditions, a clogged air cleaner will result. This can lead to a loss of power, excessive carbon buildup in the combustion chamber and high fuel consumption. Change air cleaner more **frequently** if these conditions exist.

Fuel Addition

Add diesel fuel (the grade may vary according to season and locations).

Removing Water from the Fuel Tank

After prolonged use, water and other impurities accumulate in the bottom of the tank. Occasionally inspect the fuel tank for water contamination and drain the contents if required.

During cold weather, the more empty volume inside the tank, the easier it is for water to condense. This can be reduced by keeping the tank full with diesel fuel.

Cleaning Inside the Fuel Tank

Drain the fuel inside the fuel tank completely. Using a spray washer (Figure 59) wash out any deposits or debris that have accumulated inside the fuel tank.

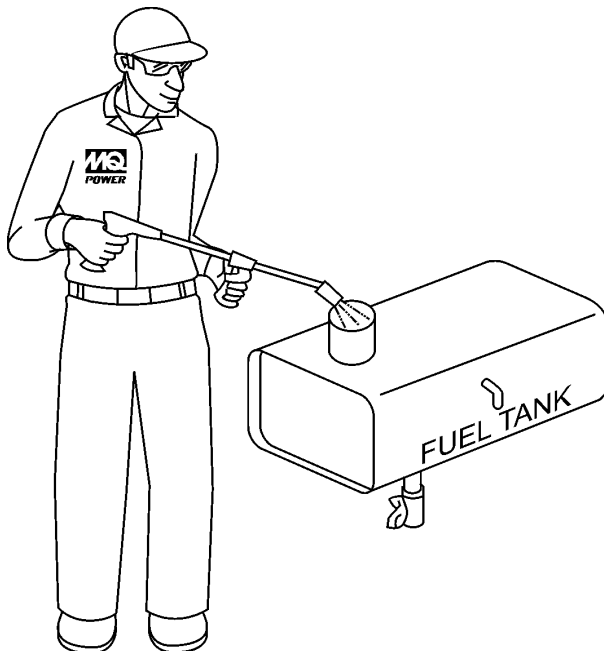


Figure 59. Fuel Tank Cleaning

Fuel Tank Inspection

In addition to cleaning the fuel tank, the following components should be inspected for wear:

- **Rubber Suspension** – look for signs of wear or deformity due to contact with oil. Replace the rubber suspension if necessary.
- **Fuel Hoses** – inspect nylon and rubber hoses for signs of wear, deterioration and hardening.
- **Fuel Tank Lining** – inspect the fuel tank lining for signs of excessive amounts of oil or other foreign matter.

Cleaning the Fuel Strainer

Clean the fuel strainer if it contains dust or water. Remove dust or water in the strainer cap and wash it in gasoline. Securely fasten the fuel strainer cap so that fuel will not leak. Check the fuel strainer every 200 hours of operation or once a month.

Replacing Fuel Filter

- Replace the fuel filter cartridge with new one every 500 hours or so.
- Loosen the drain plug at the lower top of the fuel filter. Drain the fuel in the fuel body together with the mixed water. **DO NOT** spill the fuel during disassembly.
- Vent any air

Air Removal

If air enters the fuel injection system of a diesel engine, starting becomes impossible. After running out of fuel, or after disassembling the fuel system, bleed the system according to the following procedure. See the *VOLVO Engine Manual* for details.

To restart after running out of fuel, turn the switch to the "ON" position for 15-30 seconds. Try again, if needed. This unit is equipped with an automatic air bleeding system.

Check Oil Level

Check the crankcase oil level prior to each use, or when the fuel tank is filled. Insufficient oil may cause severe damage to the engine. Make sure the generator is level. The oil level must be between the two notches on the dipstick as shown in Figure 30.

Replacing Oil Filter

- Remove the old oil filter.
- Apply a film of oil to the gasket on the new oil filter.
- Install the new oil filter.
- After the oil cartridge has been replaced, the engine oil will drop slightly. Run the engine for a while and check for leaks before adding more oil if needed. Clean excessive oil from engine.

Flushing Out Radiator and Replacing Coolant

- Open both cocks located at the crankcase side and at the lower part of the radiator and drain coolant. Open the radiator cap while draining. Remove the overflow tank and drain.
- Check hoses for softening and kinks. Check clamps for signs of leakage.
- Tighten both cocks and replace the overflow tank.
- Replace with coolant as recommended by the engine manufacturer.
- Close radiator cap tightly.
- Flush the radiator by running clean tap water through radiator until signs of rust and dirt are removed. **DO NOT** clean radiator core with any objects, such as a screwdriver.

WARNING - BURN HAZARDS

Allow engine to **cool** when flushing out radiator. Flushing the radiator while hot could cause serious burns from water or steam.



Radiator Cleaning

- The radiator (Figure 60) should be sprayed (cleaned) with a high pressure washer when excessive amounts of dirt and debris have accumulated on the cooling fins or tube. When using a high pressure washer, stand at least 5 feet (1.5 meters) away from the radiator to prevent damage to the fins and tube.

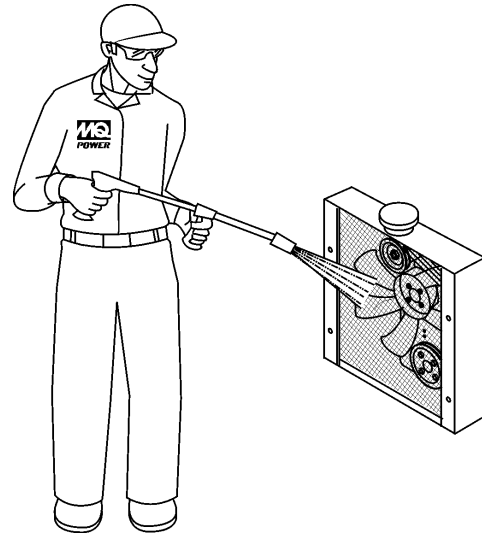


Figure 60. Air Cleaner/Indicator

Generator Storage

For long term storage of the generator the following is recommended:

- Fill the fuel tank completely. Treat with a fuel stabilizer if necessary.
- Completely drain the oil from the crankcase and refill if necessary with fresh oil.
- Clean the entire generator, internal and external.
- Cover the generating set and store in a clean, dry place.
- Disconnect the battery.
- Make sure engine coolant is at proper level.
- If generator is mounted on a trailer, jack trailer up and place on blocks so tires do not touch the ground or block and completely remove the tires.

Jacket Water Heater and Internal Battery Charger 120 VAC Input Receptacles (OPTIONAL)

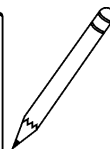
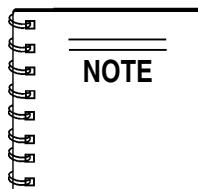
This generator can be optionally equipped with two 120 VAC, 20 amp input receptacles located on the output terminal panel.

The purpose of these receptacles is to provide power via commercial power to the *jacket water heater* and *internal battery charger*.

These receptacles will **ONLY** function when commercial power has been supplied to them (Figure 61). To apply commercial power to these receptacles, a power cord of adequate size will be required (See Table 6).

When using the generator in *hot* climates there is no reason to apply power to jacket water heater. However, if the generator will be used in *cold* climates it is always a good idea to apply power to the jacket water heater at all times. To apply power to the jacket water heater simply apply power to the jacket water heater receptacle via commercial power using an power cord of adequate size.

If the generator will be used daily, the battery should normally not require charging. If the generator will be idle (not used) for long periods of time, apply power to the battery charger receptacle via commercial power using an power cord of adequate size.



To ensure adequate starting capability, **always** have power applied to the generator's *internal battery charger*.

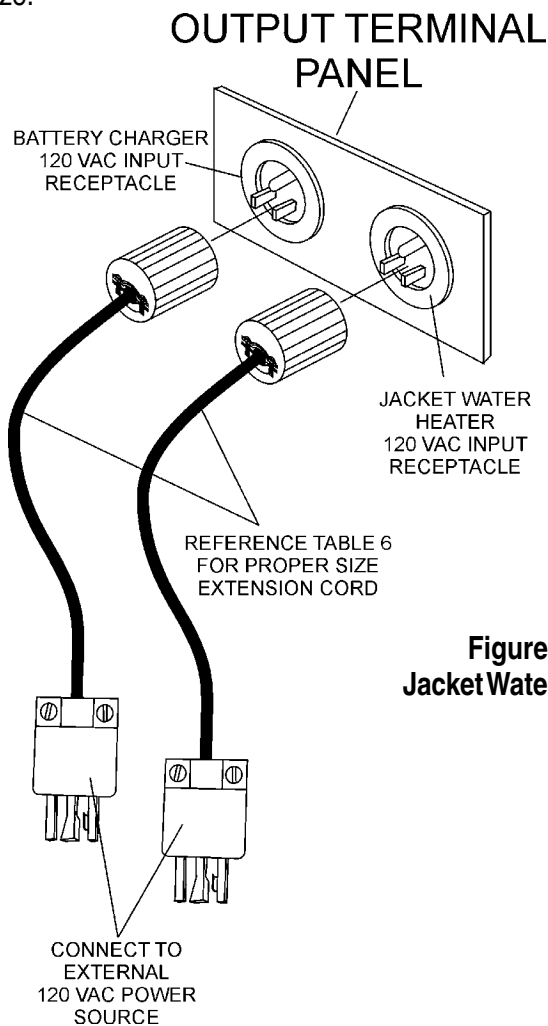


Figure 61. Battery Charger & Jacket Water Heater Power Connections

Trailer Maintenance

This section is intended to provide the user with generic trailer service and maintenance information. The service and maintenance guidelines referenced in this section refer to a wide range of trailers.

Remember periodic inspection of the trailer will ensure safe towing of the generator and will prevent personal injury and damage to the equipment.

The definitions below describe some of the major components of a typical trailer that would be used with the DCA-400SSV *Whisperwatt™* Generator.

1. **Fuel Cell** - Provides an adequate amount of fuel for the equipment in use. Fuel cells must be empty when transporting equipment.
2. **Braking System** - System employed in stopping the trailer. Typical braking systems are electric, surge, hydraulic, hydraulic-surge and air.
3. **GVWR**- Gross Vehicle Weight Rating (GVWR) is the maximum number of pounds the trailer can carry, including the fuel cell (empty).
4. **Frame Length** - Measurement is from the ball hitch to the rear bumper (reflector).
5. **Frame Width** - Measurement is from fender to fender
6. **Jack Stand** - Trailer support device with maximum pound requirement from the tongue of the trailer.
7. **Coupler** - Type of hitch used on the trailer for towing.
7. **Coupler** - Type of hitch used on the trailer for towing.
8. **Tire Size** - Indicates the diameter of the tire in inches (10,12,14, etc.), and the width in millimeters (175,185,205, etc.). The tire diameter must match the diameter of the tire rim.
9. **Tire Ply** - The tire ply (layers) number is rated in letters; 2-ply,4-ply,6-ply, etc.
10. **Wheel Hub** - The wheel hub is connected to the trailer's axle.
11. **Tire Rim** - Tires mounted on a tire rim. The tire rim must match the size of the tire.
12. **Lug Nuts** - Used to secure the wheel to the wheel hub. Always use a torque wrench to tighten down the lug nuts. See Table 18 and Figure 64 for lug nut tightening and sequence.
13. **Axle** - Indicates the maximum weight the axle can support in pounds, and the diameter of the axle expressed in inches. Please note that some trailers have a double axle. This will be shown as 2-6000 lbs., meaning two axles with a total weight capacity of 6000 pounds.
14. **Suspension** - Protects the trailer chassis from shocks transmitted through the wheels. Types of suspension used are leaf, Q-flex, and air ride.
15. **Electrical** - Electrical connectors (looms) are provided with the trailer so the brake lights and turn signals can be connected to the towing vehicle.
16. **Application** - Indicates which units can be employed on a particular trailer.

Brakes

Trailer brakes should be inspected the **first 200 miles** of operation. This will allow the brake shoes and drums to seat properly. After the first 200 mile interval, inspect the brakes **every 3,000 miles**. If driving over rough terrain, inspect the brakes more frequently.

Figure 62 displays the major hydraulic surge brake components that will require inspection and maintenance. Please inspect these components as required using steps 1 through 8 and Table 15 as listed below:

Brake Adjustment

1. Place the trailer on jack stands. Make sure the jack stands are placed on secure level ground.
2. Check the wheel and drum for free rotation.
3. Remove the adjusting hole cover from the adjusting slot at the bottom brake backing plate.
4. With a screwdriver or standard adjusting tool, rotate the star wheel of the adjuster assembly to expand the brake shoes.
5. Adjust the brake shoes outward until the pressure of the lining against the wheel drum makes the wheel difficult to turn.
6. Adjust, rotate the star wheel in the opposite direction until the wheel rotates freely with slight lining drag.
7. Replace the adjusting hole cover and lower the trailer to the ground.
8. Repeat steps 1 through 7 on the remaining brakes.

Hydraulic Surge Brakes

Hydraulic surge brakes (Figure 62) should not require any special attention with the exception of routine maintenance such as shoe and lining replacement. Brake lines should be periodically checked for cracks, kinks, or blockage.

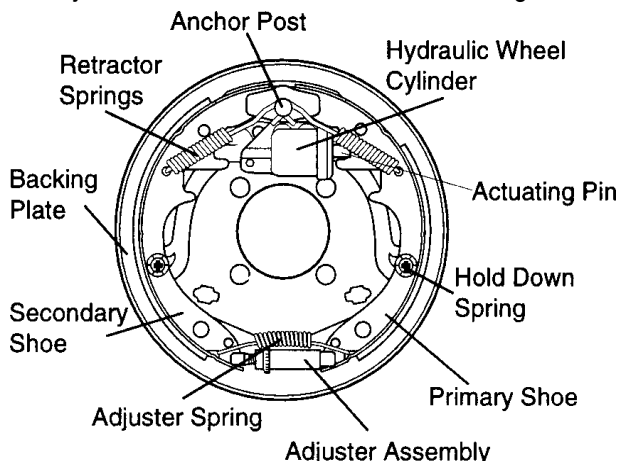


Figure 62. Hydraulic Brake Components

Actuator

Hydraulic surge braking requires the installation of an actuator at the tongue of the trailer. Remember the **surge** or **push** of the trailer toward the tow vehicle automatically synchronizes the trailer brakes with the tow vehicle brakes. As the trailer pushes against the tow vehicle the actuator telescopes together and applies force to the master cylinder, supplying hydraulic pressure to the trailer brakes.

Periodically check and test the surge “**actuator**” to make sure that it is functioning correctly. Never use an undersize actuator.

Table 15. Hydraulic Brake Troubleshooting

Symptom	Possible Cause	Solution
No Brakes	Brake line broken or kinked?	Repair or replace.
Weak Brakes or Brakes Pull to One Side	Brake lining glazed?	Reburnish or replace.
	Trailer overloaded?	Correct weight.
	Brake drums scored or grooved?	Machine or replace.
	Tire pressure correct?	Inflate all tires equally.
	Tires unmatched on the same axle?	Match tires.
Locking Brakes	Brake components loose, bent or broken?	Replace components.
	Brake drums out-of-round?	Replace.
Noisy Brakes	System lubricated?	Lubricate.
	Brake components correct?	Replace and correct.
Dragging Brakes	Brake lining thickness incorrect or not adjusted correctly?	Install new shoes and linings.
	Enough brake fluid or correct fluid?	Replace rubber parts fill with dot 4 fluid.

DCA-400SSV—TRAILER MAINTENANCE

Tires/Wheels/Lug Nuts

Tires and wheels are a very important and critical components of the trailer. When specifying or replacing the trailer wheels it is important the wheels, tires, and axle are properly matched.

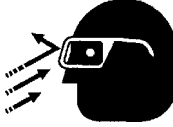
! CAUTION - EYESIGHT HAZARD

ALWAYS wear safety glasses when removing or installing force fitted parts. Failure to comply may result in serious injury.



! CAUTION - REPAIRING TRAILER WHEELS



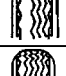



DO NOT attempt to repair or modify a wheel. **DO NOT** install in inner tube to correct a leak through the rim. If the rim is cracked, the air pressure in the inner tube may cause pieces of the rim to explode (break off) with great force and cause serious eye or bodily injury.



Tire Wear/Inflation

Tire inflation pressure is the most important factor in tire life. Pressure should be checked cold before operation **DO NOT** bleed air from tires when they are **hot!** Check inflation pressure weekly during use to insure the maximum tire life and tread wear.

Table 16 (Tire Wear Troubleshooting) will help pinpoint the causes and solutions of tire wear problems.

TABLE 16. TIRE WEAR TROUBLESHOOTING			
WEAR PATTERN	CAUSE	SOLUTION	
 Center Wear	Over Inflation.	Adjust pressure to particular load per tire manufacturer.	
 Edge Wear	Under Inflation.	Adjust pressure to particular load per tire manufacturer.	
 Side Wear	Loss of camber or overloading.	Make sure load does not exceed axle rating. Align wheels.	
 Toe Wear	Incorrect toe-in.	Align wheels.	
 Cupping	Out-of-balance.	Check bearing adjustment and balance tires.	
 Flat Spots	Wheel lockup & tire skidding.	Avoid sudden stops when possible and adjust brakes.	

Suspension

The **leaf suspension** springs and associated components (Figure 63) should be visually inspected every 6,000 miles for signs of excessive wear, elongation of bolt holes, and loosening of fasteners. Replace all damaged parts (suspension) immediately. Torqued suspension components as detailed in Table 17.

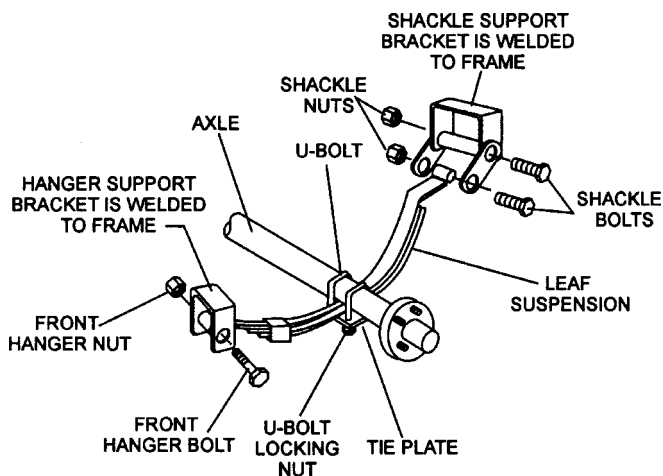


Figure 63. Major Suspension Components

Table 17. Suspension Torque Requirements

Item	Torque (Ft.-Lbs.)
3/8" U-BOLT	MIN-30 MAX-35
7/16" U-BOLT	MIN-45 MAX-60
1/2" U-BOLT	MIN-45 MAX-60
SHACKLE BOLT SPRING EYE BOLT	SNUG FIT ONLY. PARTS MUST ROTATE FREELY. LOCKING NUTS OR COTTER PINS ARE PROVIDED TO RETAIN NUT-BOLT ASSEMBLY.
SHOULDER TYPE SHACKLE BOLT	MIN-30 MAX-50

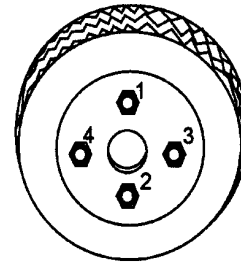
Lug Nut Torque Requirements

It is extremely important to apply and maintain proper wheel mounting torque on the trailer. Be sure to use only the fasteners matched to the cone angle of the wheel. Proper procedure for attachment of the wheels is as follows:

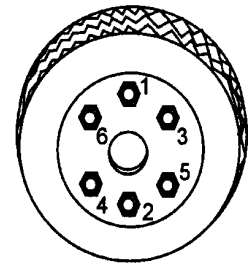
1. Start all wheel lug nuts by hand.
2. Torque all lug nuts in sequence (see Figure 64). **DO NOT** torque the wheel lug nuts all the way down. Tighten each lug nut in 3 separate passes as defined by Table 18.
3. After first road use, retorque all lug nuts in sequence. Check all wheel lug nuts periodically.

Table 18. Tire Torque Requirements

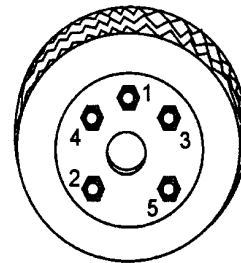
Wheel Size	First Pass FT-LBS	Second Pass FT-LBS	Third Pass FT-LBS
12"	20-25	35-40	50-65
13"	20-25	35-40	50-65
14"	20-25	50-60	90-120
15"	20-25	50-60	90-120
16"	20-25	50-60	90-120



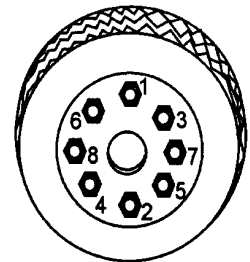
4-LUG NUTS



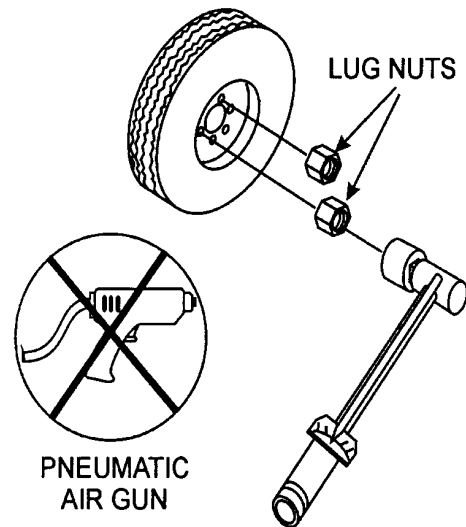
6-LUG NUTS



5-LUG NUTS



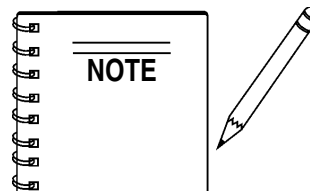
8-LUG NUTS



PNEUMATIC
AIR GUN

TORQUE WRENCH

Figure 64. Wheel Lug Nuts
Tightening Sequence



NEVER use an pneumatic air gun to tighten wheel lug nuts.

DCA-400SSV—TRAILER WIRING DIAGRAM

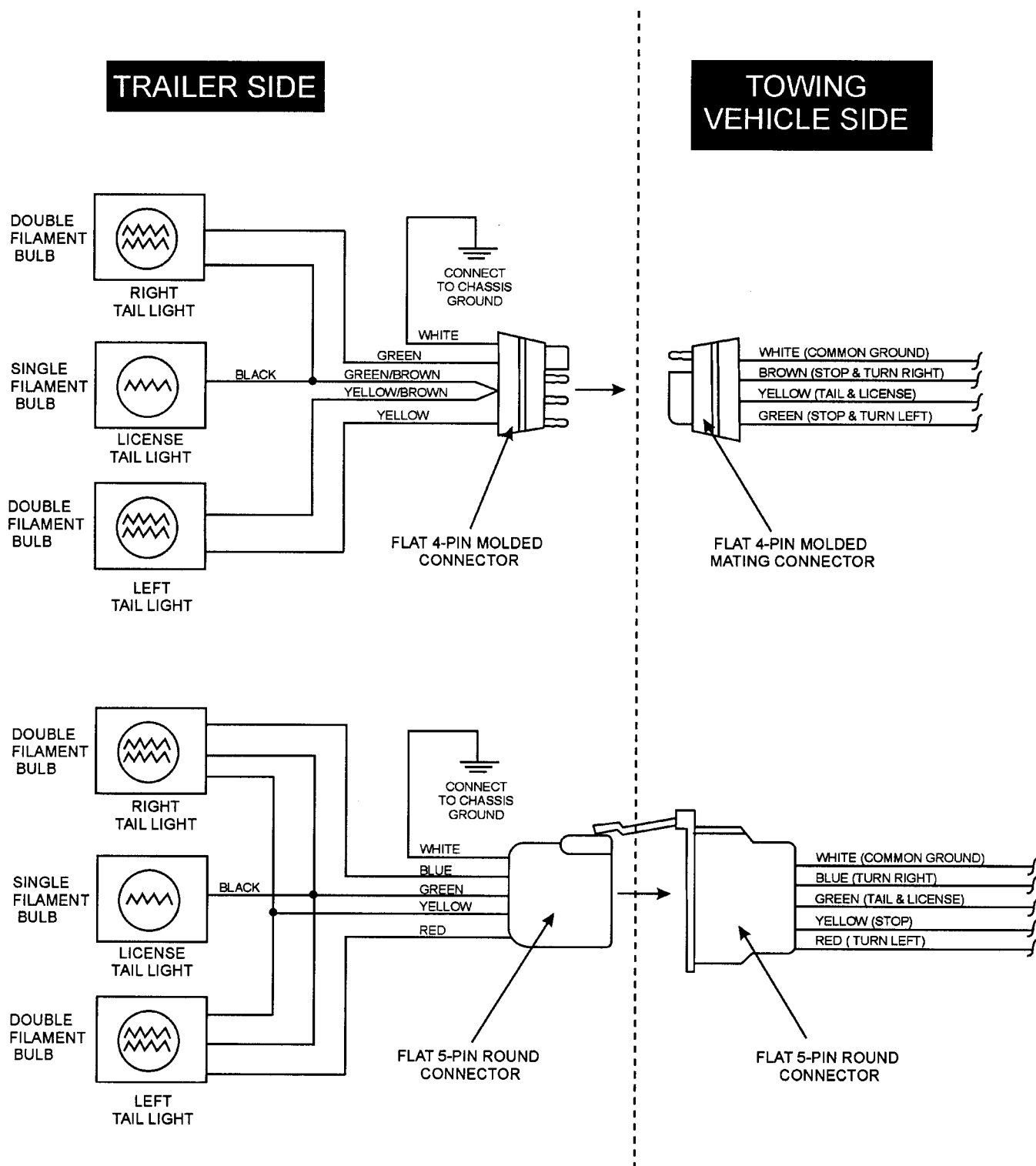


Figure 65. Trailer/Towing Vehicle Wiring Diagram

DCA-400SSV—GENERATOR WIRING DIAGRAM

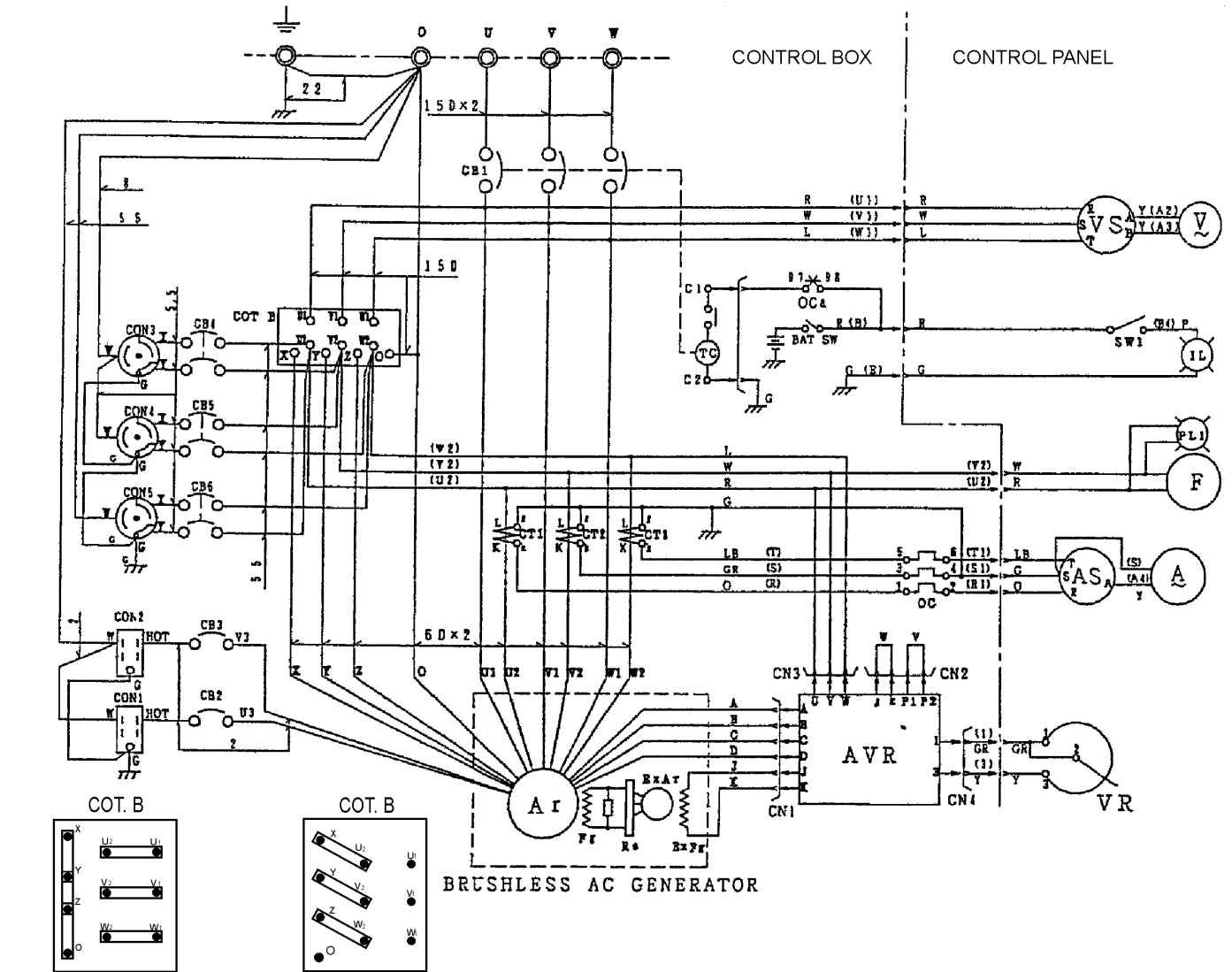
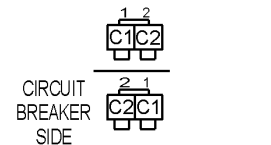
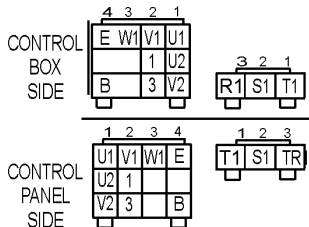
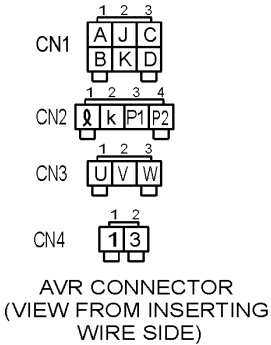
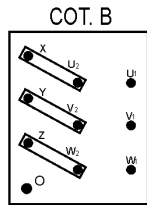


Figure 66. Generator Wiring Diagram

Voltage Change-Over Board-240V Set

Voltage Change-Over Board-280V Set



CONNECTOR (VIEW FROM INSERTING WIRE SIDE)

COLOR CODE			
WIRE COLOR	WIRE COLOR	WIRE COLOR	WIRE COLOR
B	BLACK	R	RED
L	BLUE	W	WHITE
BR	BROWN	Y	YELLOW
G	GREEN	LB	LIGHT BLUE
GR	GRAY	LG	LIGHT GREEN
V	VIOLET	O	ORANGE
P	PINK		

SYMBOL	DESIGNATION	SYMBOL	DESIGNATION
Ar	ARMATURE WINDING	AS	AC AMMETER 0-750, 1,500A
Fg	MAIN GENERATOR FIELD WINDING	VS	VOLTMETER CHANGE-OVER SWITCH
Ex Ar	EXCITER ARMATURE WINDING	V	AC VOLTMETER 0-600V
Ex Fg	EXCITER FIELD WINDING	F	FREQUENCY METER 45-65 Hz
AVR	AUTOMATIC VOLTAGE REGULATOR	PL1	PILOT LAMP
VR	VOLTAGE REGULATING RHEOSTAT	CB2-3	AUX. CIRCUIT BREAKER 20A
Re	RECTIFIER	CB4-6	AUX. CIRCUIT BREAKER 50A
CT1-3	CURRENT TRANSFORMER 750/5A	CON2-3	RECEPTACLE 520R GFCI 20A, 125V
CB1	CIRCUIT BREAKER 1,000 AMPS	CON3-5	RECEPTACLE CS-6369 50A, 120/240V
OC	OVER CURRENT RELAY	IL	PANEL LIGHT
COT. B	VOLTAGE CHANGE-OVER BOARD	SW1	PANEL LIGHT SWITCH
AS	AMMETER CHANGE-OVER SWITCH		

DCA-400SSV — ENGINE WIRING DIAGRAM (S/N 3722759 AND BELOW)

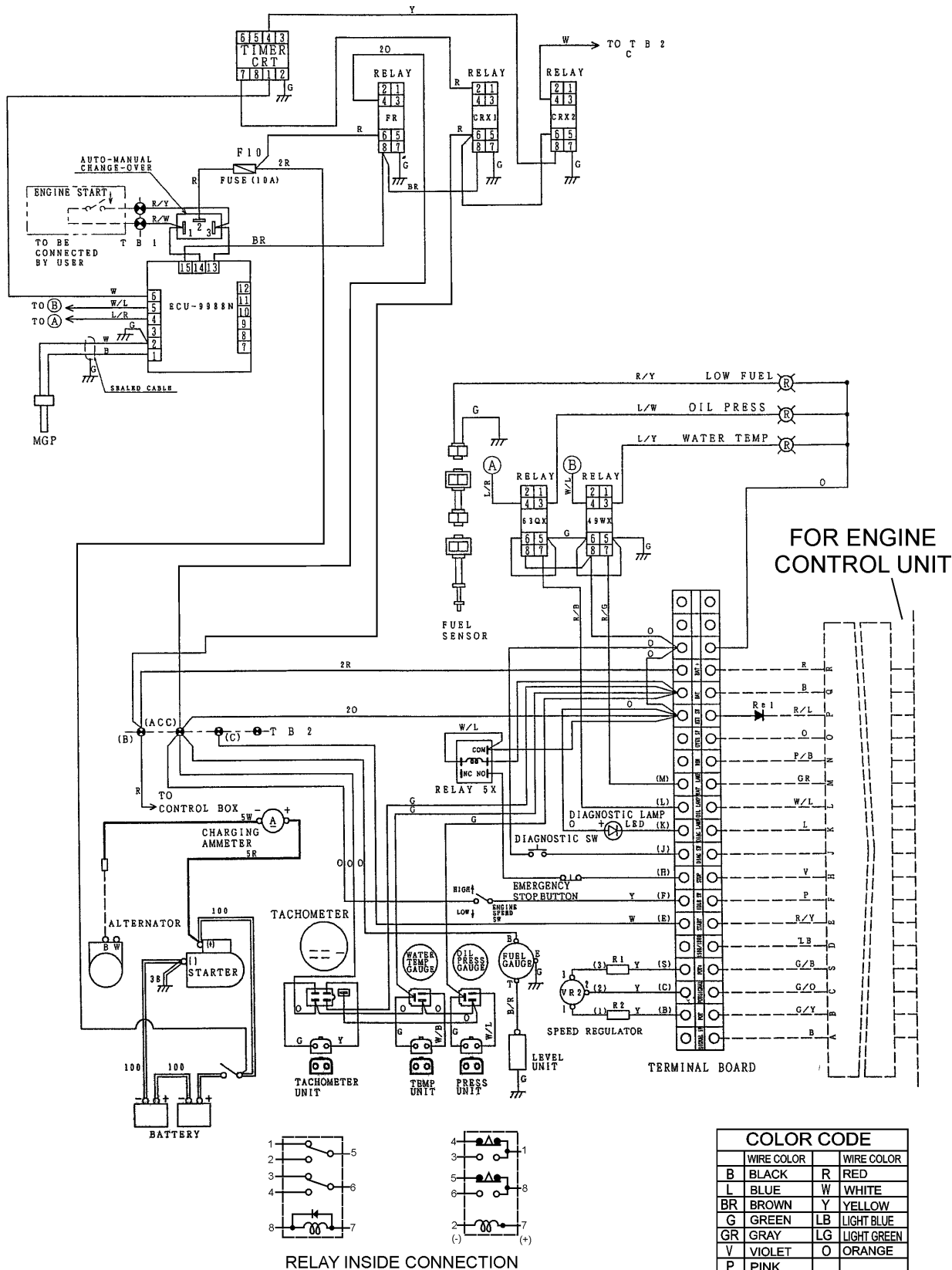


Figure 67. Engine Wiring Diagram 9S/N 3722759 AND BELOW

DCA-400SSV — ENGINE WIRING DIAGRAM (S/N 3722760 AND ABOVE)

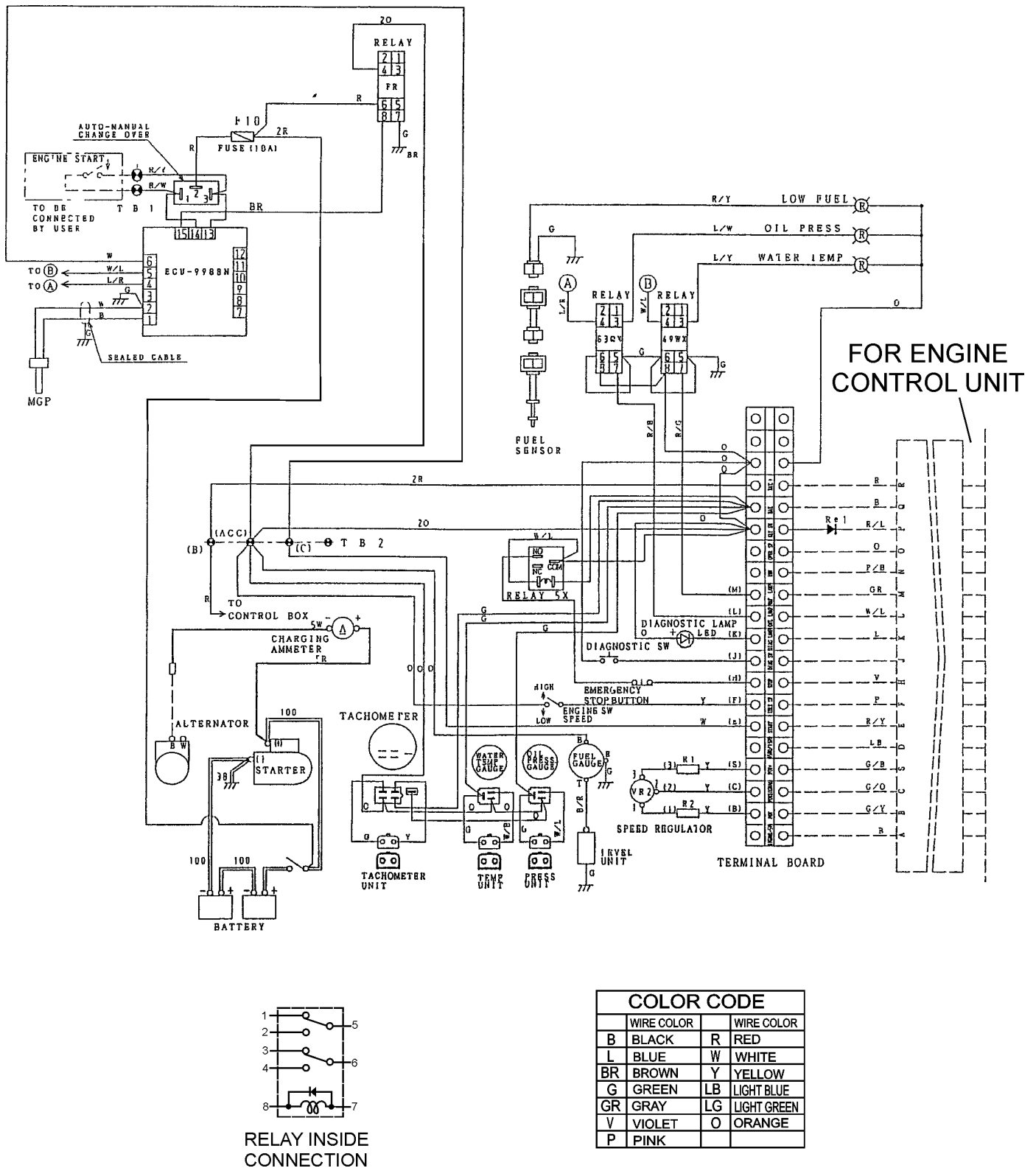


Figure 68. Engine Wiring Diagram (S/N 3722760 AND ABOVE)

DCA-400SSV—TROUBLESHOOTING (GENERATOR)

Practically all breakdowns can be prevented by proper handling and maintenance inspections, but in the event of a breakdown, use Table 19 shown below for diagnosis of the Generator. If the problem cannot be remedied, consult our company's business office or service plant.

TABLE 19. GENERATOR TROUBLESHOOTING

SYMPTOM	POSSIBLE PROBLEM	SOLUTION
No Voltage Output	AC Voltmeter defective?	Check output voltage using a voltmeter.
	Is wiring connection loose?	Check wiring and repair.
	Is AVR defective?	Replace if necessary.
	Defective Rotating Rectifier?	Check and replace.
	Defective Exciter Field?	Check for 17.3 ohms across J & K on CN1
Low Voltage Output	Is engine speed correct?	Turn engine throttle lever to "High".
	Is wiring connections loose?	Check wiring and repair.
	Defective AVR?	Replace if necessary.
High Voltage Output	Is wiring connections loose?	Check wiring and repair.
	Defective AVR?	Replace if necessary.
Circuit Breaker Tripped	Short Circuit in load?	Check load and repair.
	Over current?	Confirm load requirements and reduce.
	Defective circuit breaker?	Check and replace.
	Over current Relay actuated?	Confirm load requirement and replace.

DCA-400SSV—TROUBLESHOOTING (ENGINE CONTROLLER)

Practically all breakdowns can be prevented by proper handling and maintenance inspections, but in the event of a breakdown, use Table 20 (Engine Controller Troubleshooting) as a basic guideline for troubleshooting the Microprocessor Engine Controller unit (MPEC). If the problem cannot be remedied, consult our company's business office or service plant.

TABLE 20. ENGINE CONTROLLER TROUBLESHOOTING (MPEC)

SYMPTOM	POSSIBLE PROBLEM	SOLUTION
Low oil pressure light is on.	Low oil level?	Fill oil level.
	Oil pressure sending unit failure?	Replace oil pressure sending unit.
	Time delay malfunction in Controller?	Refer to dealer.
	Wire shorted?	Inspect/repair wire.
Low coolant level light is on. (Optionally Installed)	Low coolant level?	Fill coolant level.
	Sending unit failure?	Replace sending unit.
	Low battery voltage?	Replace/charge battery.
High coolant temperature light is on.	Fan belt tension incorrect?	Tighten/replace fan belt.
	Air flow is not circulation through radiator?	Clean/repair radiator grill.
	Doors open?	Close doors.
	Exhaust leaking?	Replace/repair gaskets or faulty part.
	Generator being overloaded?	Check/reduce load.
	Thermostat failure?	Replace thermostat.
	Air intake blocked?	Clear all air intakes.
	Temperature switch failure?	Replace temperature switch.
Overcrank light is on.	No or low Fuel?	Fill fuel level.
	Controller needs to be calibrated?	Refer to dealer.
Overspeed light is on.	RPM engine speed too high?	Adjust RPM.
	Governor actuator needs to be adjusted?	Adjust governor actuator.
	Governor controller needs to be adjusted?	Adjust governor controller.
	Engine Controller needs to be calibrated?	Refer to dealer.
Loss of MPU light(s) or on.	Magnetic pick up out of adjustment?	Adjust magnetic pick up.
	Magnetic pick up dirty?	Clean magnetic pick up.

DCA-400SSV—TROUBLESHOOTING (DIAGNOSTIC LAMP)

The engine controller of this generator diagnoses problems that arise from the engine control system and the engine itself. The malfunction can be determined by examining the flashing pattern of the diagnostic lamp (Figure 69) located in the control box.

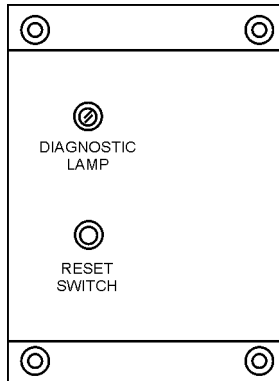


Figure 69. Diagnostic Panel

Method of Operation

1. Normally, the diagnostic lamp will be **dimly** lit when the **MPEC Control Switch** is placed in the **MANUAL** position.
2. If engine trouble occurs, the diagnostic lamp will be **brightly** lit as long as the control switch is left in the manual position.
3. The diagnostic lamp will indicate an error code via a flashing pattern on the lamp. This pattern will become visible once the the reset button on the control box has been pushed and released. The error code consists of a series of flashes by the lamp. The error codes are defined as follows:

Example Error Code 1.

Figure 70 displays the error code for **low radiator coolant**.

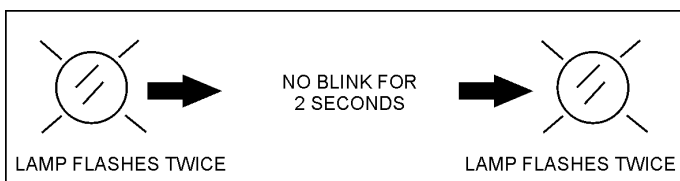


Figure 70. Error Code Low Radiator Coolant

Example Error Code 2.

Figure 71 displays the error code for **high temp intake**.

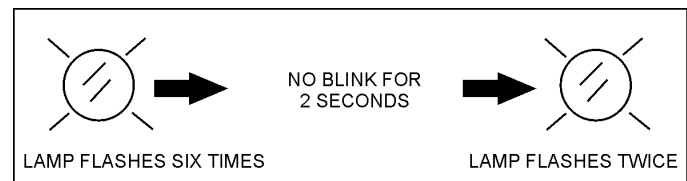
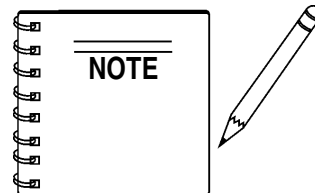


Figure 71. Error Code High Temperature Intake



The error code will flash each time the reset button is pressed and released until the problems have been corrected.

4. In a situation where several engine malfunctions occur simultaneously, the code for each malfunction will flash one after another in succession.
5. After all engine related malfunctions have been diagnosed and corrected, and the generator is operating in a normal manner the following code (Figure 72) should be displayed once the reset button is pressed and released

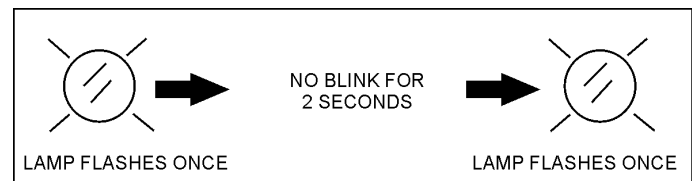
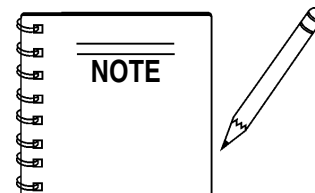
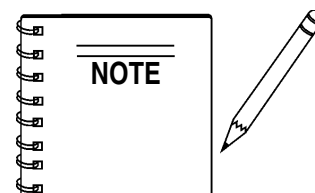


Figure 72. Normal Operating Code



For a complete understanding of error codes and troubleshooting procedures, refer to the enclosed engine instruction manual.



When the **MPEC Control Switch** is placed in the **AUTO** position, the same error codes will apply. Codes will not be active until the unit is activated.

DCA-400SSV— EXPLANATION OF CODE IN REMARKS COLUMN

The following section explains the different symbols and remarks used in the Parts section of this manual. Use the help numbers found on the back page of the manual if there are any questions.

The contents and part numbers listed in the parts section are subject to change **without notice**. Multiquip does not guarantee the availability of the parts listed.

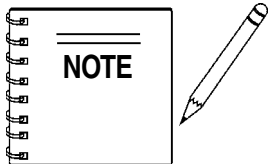
Sample Parts List:

NO.	PART NO.	PART NAME	QTY.	REMARKS
1	12345	BOLT	1	INCLUDES ITEMS W/*
2*		WASHER, 1/4 IN.		NOT SOLD SEPARATELY
2*	12347	WASHER, 3/8 IN.	1	MQ-45T ONLY
3	12348	HOSE	A/R ..	MAKE LOCALLY
4	12349	BEARING	1	S/N 2345B AND ABOVE

NO. Column

Unique Symbols - All items with same unique symbol (*, #, +, %, or >) in the number column belong to the same assembly or kit, which is indicated by a note in the “Remarks” column.

Duplicate Item Numbers - Duplicate numbers indicate multiple part numbers are in effect for the same general item, such as different size saw blade guards in use or a part that has been updated on newer versions of the same machine.



When ordering a part that has more than one item number listed, check the remarks column for help in determining the proper part to order.

PART NO. Column

Numbers Used - Part numbers can be indicated by a number, a blank entry, or TBD.

TBD (To Be Determined) is generally used to show a part that has not been assigned a formal part number at time of publication.

A blank entry generally indicates that the item is not sold separately or is not sold by Multiquip. Other entries will be clarified in the “Remarks” Column.

QTY. Column

Numbers Used - Item quantity can be indicated by a number, a blank entry, or A/R.

A/R (As Required) is generally used for hoses or other parts that are sold in bulk and cut to length.

A blank entry generally indicates that the item is not sold separately. Other entries will be clarified in the “Remarks” Column.

REMARKS Column

Some of the most common notes found in the “Remarks” Column are listed below. Other additional notes needed to describe the item can also be shown.

Assembly/Kit - All items on the parts list with the same unique symbol will be included when this item is purchased.

Indicated by:

“INCLUDES ITEMS W/(unique symbol)”

Serial Number Break - Used to list an effective serial number range where a particular part is used.

Indicated by:

“S/N XXXXX AND BELOW”

“S/N XXXX AND ABOVE”

“S/N XXXX TO S/N XXX”

Specific Model Number Use - Indicates that the part is used only with the specific model number or model number variant listed. It can also be used to show a part is NOT used on a specific model or model number variant.

Indicated by:

“XXXXX ONLY”

“NOT USED ON XXXX”

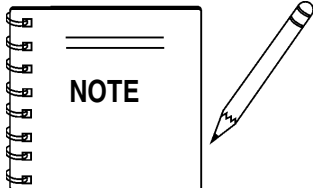
“Make/Obtain Locally” - Indicates that the part can be purchased at any hardware shop or made out of available items. Examples include battery cables, shims, and certain washers and nuts.

“Not Sold Separately” - Indicates that an item cannot be purchased as a separate item and is either part of an assembly/kit that can be purchased, or is not available for sale through Multiquip.

DCA-400SSV— SUGGESTED SPARE PARTS

DCA-400SSVWHISPERWATTGENRATOR W/VOLVO PENTA TAD1241GE DIESEL ENGINE 1 TO 3 UNITS

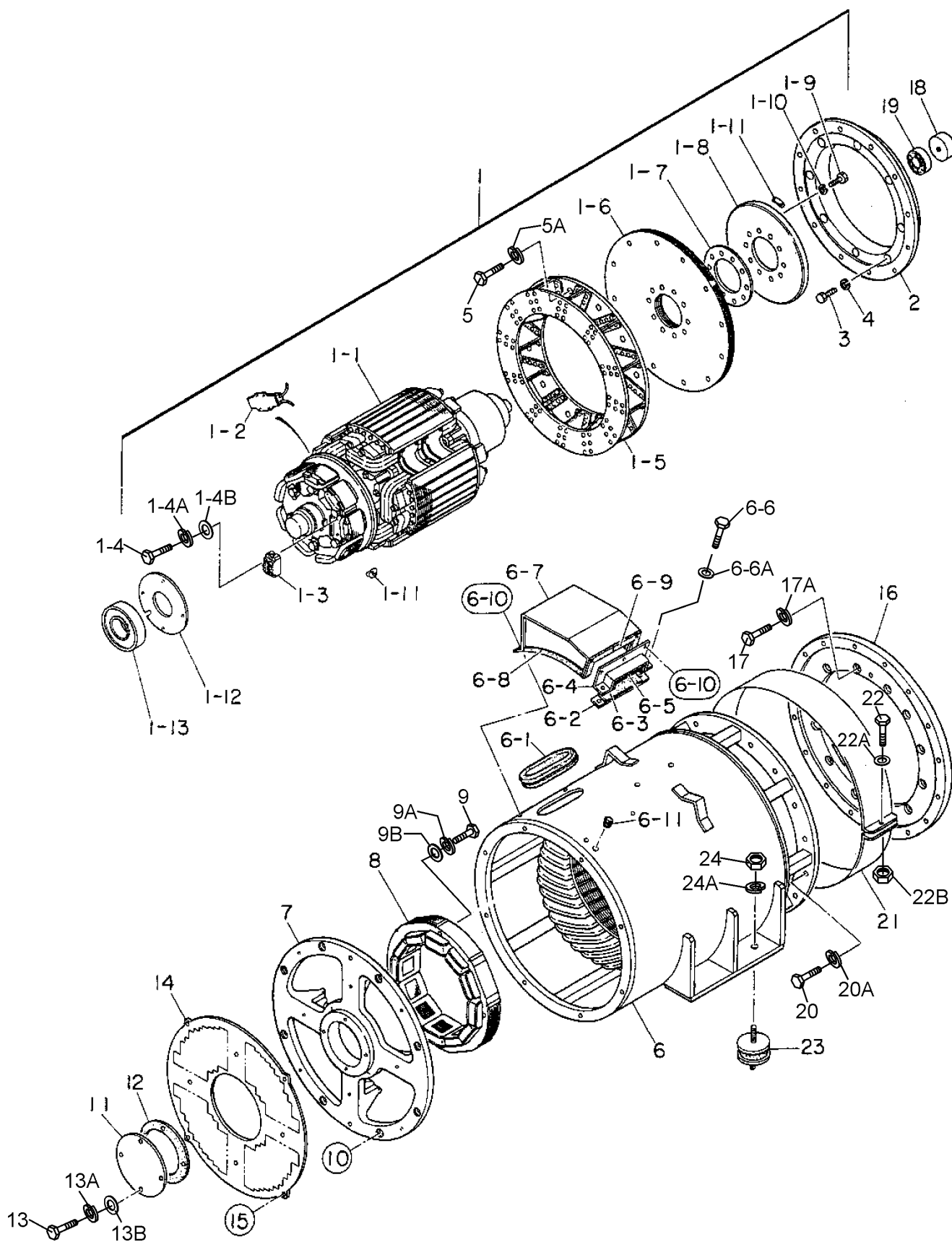
<u>Qty.</u>	<u>P/N</u>	<u>Description</u>
1	V3827266	HOSE, RADIATOR UPPER
1	V3827265	HOSE, RADIATOR LOWER
1	V1674922	CAP, FILLER, EXPANSION TANK
1	V1674083	CAP, PRESSURE EXPANSION TANK
1	0605505005	CAP, FUEL TANK
1	V3828041	V-BELT, MAIN
1	V3173821	ALTERNATOR 12 VDC
1	V8170312	WATER PUMP
1	V978207	V-BELT, ALTERNATOR
1	V20374281	SENSOR, COOLANT TEMP
1	V949656	O-RING, SENSOR, COOLANT TEMP.
1	V1077574	SENSOR OIL, PRESSURE & TEMP.
1	V968559	O-RING, SENSOR OIL, PRESSURE & TEMP.
1	V20424056	FUEL PRESSURE MONITOR
1	V947622	GASKET, FUEL PRESSURE MONITOR
1	V862154	SENSOR,TEMP., COOLANT-WATER
1	V11998	GASKET, TEMP., COOLANT-WATER
1	V862627	SENSOR, OIL TEMPERATURE
1	V11998	GASKET, OIL TEMPERATURE
1	V866835	SENSOR, PRESSURE
6	V8193841	CARTRIDGE, FUEL FILTER
6	V8159975	CARTRIDGE, FUEL PRE-FILLER
6	V466634	CARTRIDGE, OIL FILTER, FULL-FLOW
6	V477556	CARTRIDGE, OIL FILTER, BY-PASS
6	V1699830	CARTRIDGE, FILTER COOLANT
3	V3827643	ELEMENT, AIR CLEANER
1	0601807514	CIRCUIT BREAKER
1	LY2DUS24VDC ..	RELAY



Part number on this Suggested Spare Parts list may supercede/replace the P/N shown in the text pages of this book.

DCA-400SSV— GENERATOR ASSY.

GENERATOR ASSY.



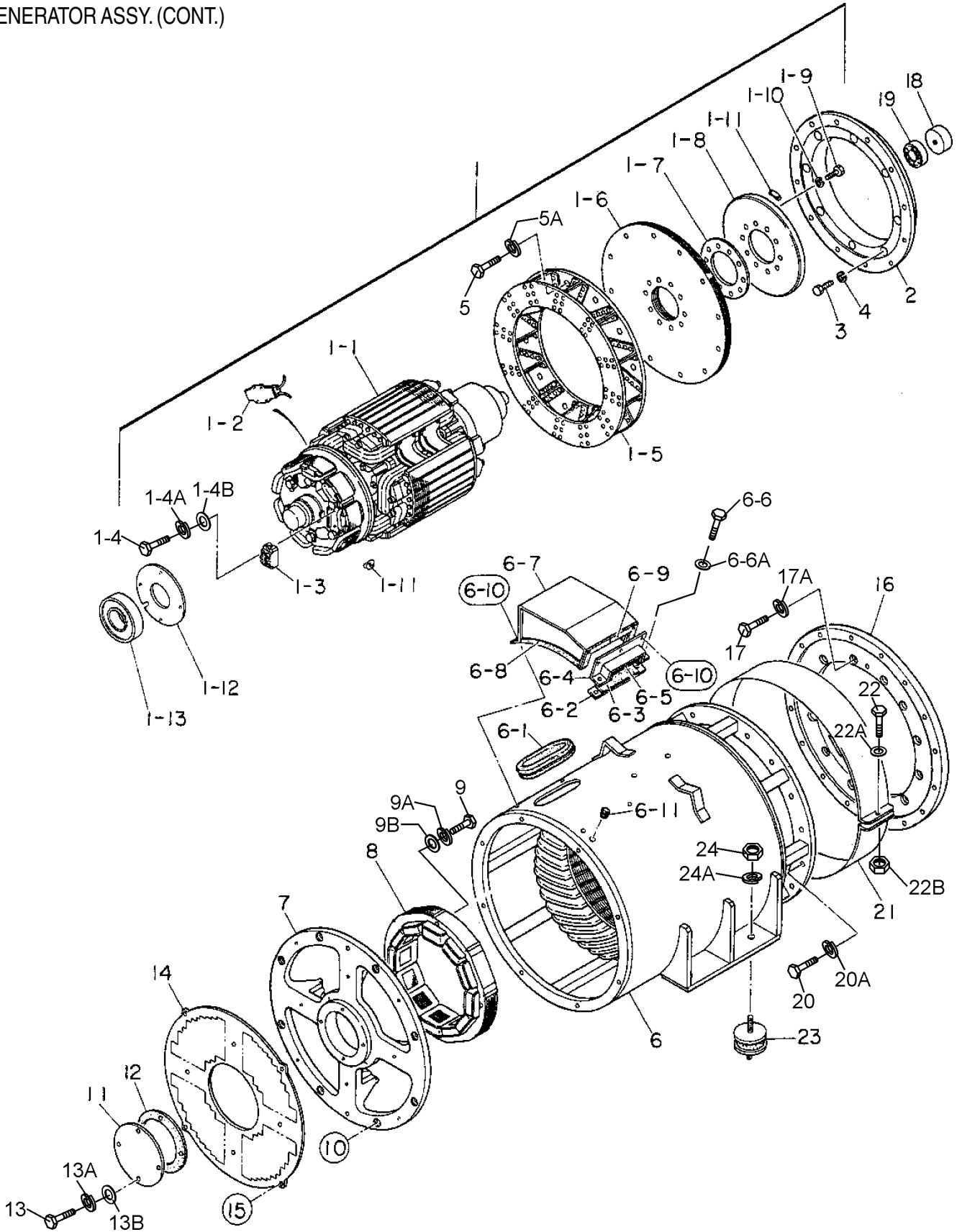
DCA-400SSV— GENERATOR ASSY.

GENERATOR ASSY.

<u>NO.</u>	<u>PART NO.</u>	<u>PART NAME</u>	<u>QTY.</u>	<u>REMARKS</u>
1	C3110100902	ROTOR ASSY.	1	
1-1		FIELD ASSY.	1	
1-2	0601842401	RESISTOR 80W 300K	2	
1-3	0601823282	RECTIFIER, RM50TC-24	1	
1-4	0018205020	HEX SOCKET HEAD CAP SCREW	2	
1-4A	0040005000	SPRING WASHER	2	
1-4B	0041205000	PLAIN WASHER	2	
1-5	8201070002	FAN	1	
1-6	8201611004	COUPLING DISK	12	
1-7	C3164200004	WASHER, COUPLING HUB	1	
1-8	8201015003	BALANCING PLATE	1 PURCHASE ITEM 1-11 AS A SET
1-9	0012116045	HEX HEAD BOLT	10	
1-10	0042616000	SPRING WASHER	10	
1-11	0601000209	BALANCING WEIGHT KIT	1	
1-12	C3112500004	BEARING FLANGE	1	
1-13	0071906315	BEARING, 6315DDU C3	1	
2	C3164400103	COUPLING RING	1	
3	0010312050	HEX HEAD BOLT	8	
4	0042512000	SPRING WASHER	8	
5	0010312040	HEX HEAD BOLT	12	
5A	0042512000	SPRING WASHER	12	
6	C3130100003	STATOR ASSY.	1	
6-1	0226200495	RUBBER SEAL	1	
6-2	8211323004	CLAMPER	1	
6-3	0223300172	RUBBER SEAL	1	
6-4	8211323103	CLAMPER	1	
6-5	0221200440	RUBBER SEAL	1	
6-6	0010110035	HEX HEAD BOLT	2	
6-6A	0041210000	PLAIN WASHER	2	
6-7	C3132200003	COVER	1	
6-8	0226000290	RUBBER SEAL	2	
6-9	0225000590	RUBBER SEAL	1	
6-10	0017106020	HEX HEAD BOLT	6	
6-11	0601850144	GROMMET	1	
7	C3154000002	END BRACKET	1	
8	C3138000003	FIELD ASSY. EXCITER	1	
9	0012110080	HEX HEAD BOLT	4	
9A	0042610000	SPRING WASHER	4	
9B	0041210000	PLAIN WASHER	4	
10	0017112045	HEX HEAD BOLT	8	
11	C3154300104	COVER, BEARING	1	
12	C3154300004	GASKET, BEARING	1	

DCA-400SSV—GENERATOR ASSY. (CONT.)

GENERATOR ASSY. (CONT.)



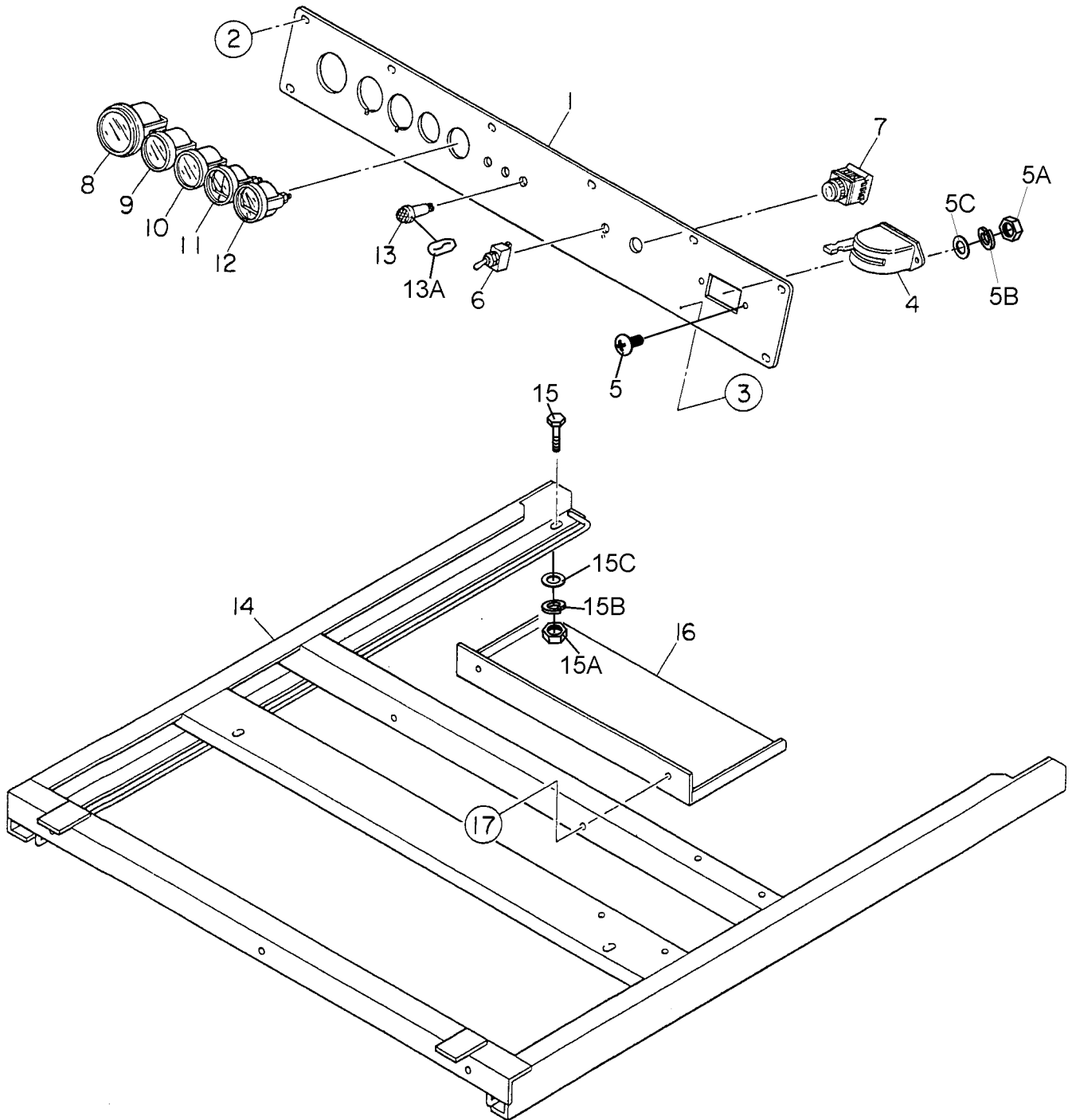
DCA-400SSV— GENERATOR ASSY. (CONT.)

GENERATOR ASSY.

<u>NO.</u>	<u>PART NO.</u>	<u>PART NAME</u>	<u>QTY.</u>	<u>REMARKS</u>
13	0010106060	HEX HEAD BOLT	4	
13A	0040006000	SPRING WASHER	4	
13B	0041206000	PLAIN WASHER	4	
14	C3154400003	SUCTION COVER	1	
15	0017106016	HEX HEAD BOLT	8	
16	C3164600103	COUPLING ADAPTER	1	
17	0010310030	HEX HEAD BOLT	12	
17	0042510000	SPRING WASHER	12	
18	C3164701404	SPACER, BEARING	1	
19	0070506208	BEARING, 6208ZZ	1	
20	0010312040	HEX HEAD BOLT	16	
20	0042512000	SPRING WASHER	16	
21	C3132300014	COVER, FAN	1	
22	0010106030	HEX HEAD BOLT	1	
22A	0041206000	PLAIN WASHER	1	
22B	0600815000	NUT	1	
23	0605000061	RUBBER SUSPENSION	4	
24	0030016000	HEX NUT	8	
24A	0040016000	SPRING WASHER	8	

DCA-400SSV—ENGINE OPERATING PANEL ASSY.

ENGINE OPERATING PANEL ASSY.



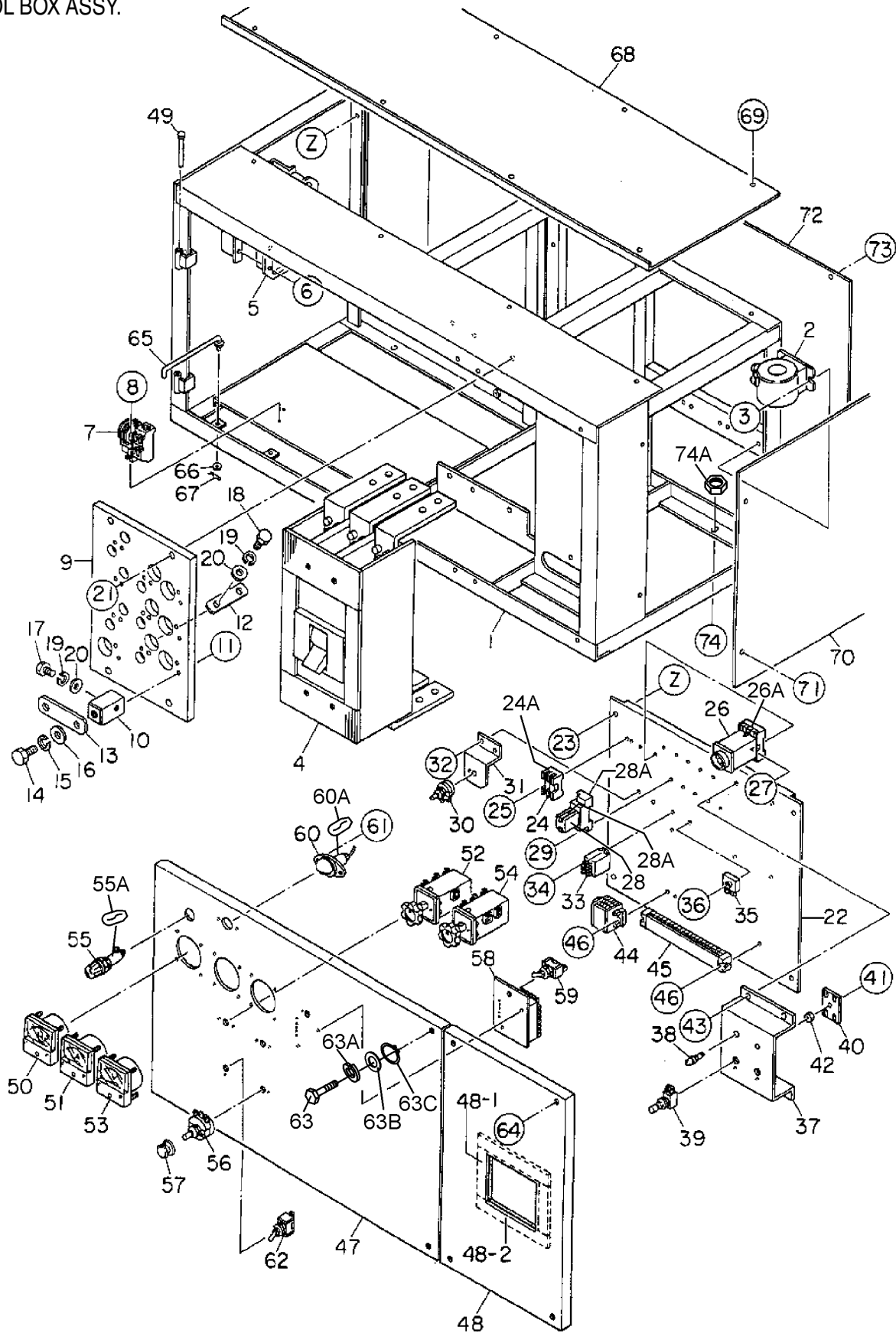
DCA-400SSV— ENGINE OPERATING PANEL ASSY.

ENGINE OPERATING PANEL ASSY.

<u>NO.</u>	<u>PART NO.</u>	<u>PART NAME</u>	<u>QTY.</u>	<u>REMARKS</u>
1	C3352101303	OPERATING PANEL	1	
2	0017106016	HEX, HEAD BOLT	8	
3	0207006000	HEX, NUT	4	
4	0602101000	BATTERY SWITCH	1	REPLACES P/N 9827300090
5	0021008080	MACHINE SCREW	2	
5A	0030008000	HEX, NUT	2	
5B	0040008000	SPRING WASHER	2	
5C	0041208000	PLAIN WASHER	2	
6	0601830710	ENGINE SPEED SWITCH	1	
7	0601830449	EMERGENCY STOP BUTTON	1	
8	V877179	TACHOMETER	1	REPLACES P/N 0602120024
9	V873198	OIL PRESSURE GAUGE	1	REPLACES P/N 0602122024
10	V873196	WATER TEMPERATURE GAUGE	1	REPLACES P/N 0602123024
11	0602121052	CHARGING AMMETER	1	
12	0602125060	FUEL GAUGE	1	
13	0602103090	ALARM LAMP	3	
13A	0601810244	BULB	3	
14	C3484000903	SET FRAME	1	
15	0010110030	HEX, HEAD BOLT	2	
15A	0030010000	HEX, NUT	2	
15B	0040010000	SPRING WASHER	2	
15C	0041210000	PLAIN WASHER	4	
16	C3374200104	COVER, AIR CLEANER	1	
17	0017108020	HEX, HEAD BOLT	2	

DCA-400SSV— CONTROL BOX ASSY.

CONTROL BOX ASSY.



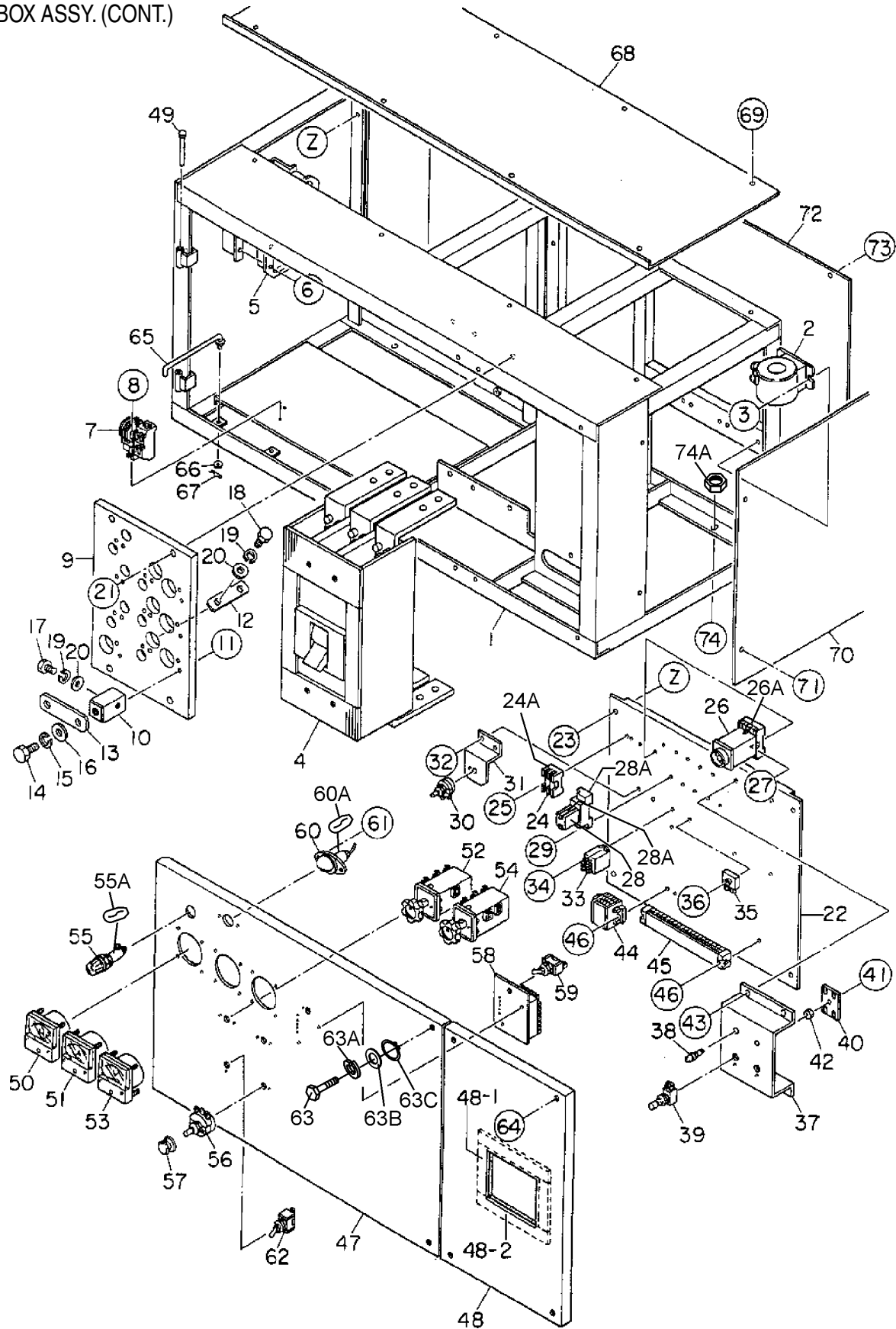
DCA-400SSV— CONTROL BOX ASSY.

CONTROL BOX ASSY.

<u>NO.</u>	<u>PART NO.</u>	<u>PART NAME</u>	<u>QTY.</u>	<u>REMARKS</u>
1	C3214001502	CONTROL BOX	1	
2	0601801170	CURRENT TRANSFORMER, CW-5L 750/5A	3	
3	0027106016	MACHINE SCREW	6	
4	0601807514	CIRCUIT BREAKER, 1000A	1	
5	0601820625	AUTOMATIC VOLTAGE REGULATOR	1	
6	0027105016	MACHINE SCREW	4	
7	0601820892	OVER CURRENT RELAY	1	
8	0027104016	MACHINE SCREW	2	
9	C3274000003	CHANGE-OVER BOARD, VOLTAGE	1	
10	8221852104	CHANGE TERMINAL	10	
11	0017108030	HEX HEAD BOLT	20	
12	C2277200004	TERMINAL PLATE	3	
13	8221853104	CHANGE PLATE	6	
14	0801830804	HEX HEAD BOLT	10	
15	0040016000	SPRING WASHER	10	
16	0041416000	PLAIN WASHER	10	
17	0801830704	HEX HEAD BOLT	13	
18	8201852504	HEX HEAD BOLT	3	
19	0040012000	SPRING WASHER	16	
20	0041412000	PLAIN WASHER	16	
21	0017110030	HEX HEAD BOLT	4	
22	C3261502303	SET PANEL, ELECTRIC PARTS	1	
23	0017108020	HEX HEAD BOLT	4	
24	0601802149	FUSE, 10A	1	
24A	0601802211	HOLDER, FUSE	1	
25	0027103020	MACHINE SCREW	2	
26	0601824961	TIMER, DC/AC24V	1	
26A	0601823151	SOCKET	1	
27	0027104025	MACHINE SCREW	2	
28	LY2DUS24VDC	RELAY, 24VDC	5 REPLACES P/N 0601827655
28A	0601823109	SOCKET, PTF08A	5	
28B	0601824400	HOLDER, PYC-A1	5	
29	0027104020	MACHINE SCREW	10	
30	0601840227	RHEOSTAT(HIGH IDLE SPEED REG.) 2W 500 OHM	1	
31	C3262600004	BRACKET	1	
32	0017106016	HEX HEAD BOLT	2	
33	0601820995	RELAY, JA1C-TMDC24V	1	
34	0027104016	MACHINE SCREW	2	
35	0601823240	RECTIFIER, DE4503	1	
36	0027105020	MACHINE SCREW	1	
37	C3261601004	SWITCH BRACKET	1	

DCA-400SSV— CONTROL BOX ASSY. (CONT)

CONTROL BOX ASSY. (CONT.)



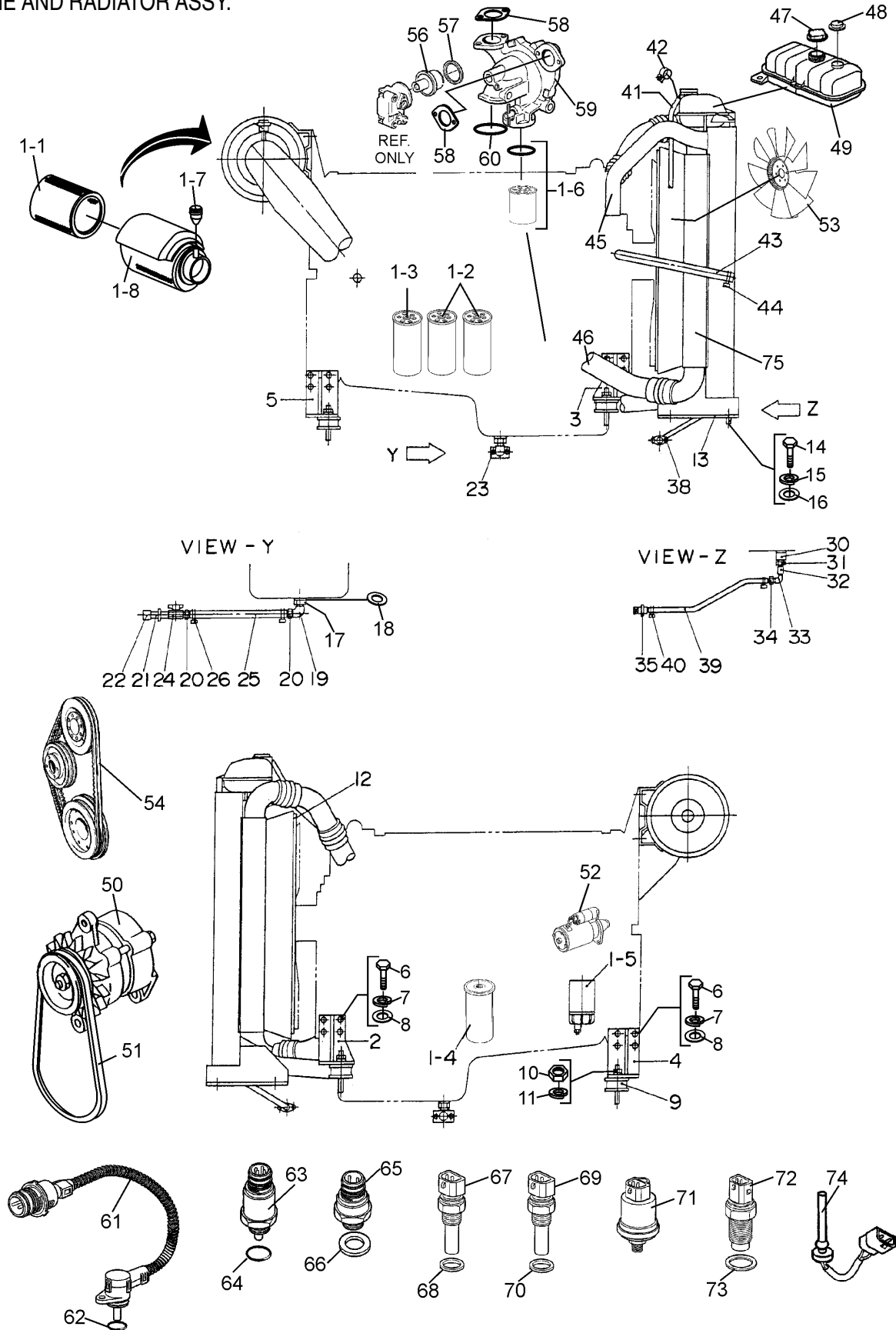
DCA-400SSV— CONTROL BOX ASSY. (CONT)

CONTROL BOX ASSY.

<u>NO.</u>	<u>PART NO.</u>	<u>PART NAME</u>	<u>QTY.</u>	<u>REMARKS</u>
38	0601810575	DIAGNOSTIC LAMP, DC24V	1	
39	0601831205	RESET SWITCH	1	
40	C3267600004	RESISTOR UNIT, 1/4W 39/120 OHM	1	
41	0027105020	MACHINE SCREW	1	
42	0030006000	HEX NUT	1	
43	0017106016	HEX HEAD BOLT	4	
44	0601815402	TERMINAL BOARD	1	
45	0601815464	TERMINAL BOARD	1	
46	0027104020	MACHINE SCREW	4	
47	C3224001303	CONTROL PANEL	1	
48	C3224002403	CONTROL PANEL	1	
48-1	0228800110	RUBBER SEAL	2	
48-2	0228800165	RUBBER SEAL	2	
49	0605011211	PIN	2	
50	0601807622	FREQUENCY METER, 45~65Hz 220V	1	
51	0601806987	AC AMMETER, 0~750A, 0~1500A	1	
52	0601801040	CHANGE-OVER SWITCH, AMMETER	1	
53	0601806887	AC VOLTMETER, 0~600V	1	
54	0601801041	CHANGE-OVER SWITCH, VOLTMETER	1	
55	0601810072	PILOT LAMP, LP-132DC 220V	1	
55A	0601810261	BULB, CT-13W	1	
56	0601840073	RHEOSTAT (VOLTAGE REG.), 2W 1K OHM	1	
57	0601840121	KNOB	1	
58	ECU9988N400V	ENGINE CONTROLLER	1	REPLACES P/N 0602202640
59	0601830765	SWITCH	1	
60	0601810161	PANEL LIGHT	1	
60A	0601810214	BULB	1	
61	0207004000	HEX NUT	2	
62	0601830710	SWITCH, PANEL LIGHT	1	
63	C9221100004	HEX, HEAD BOLT	2	
63A	0040008000	SPRING WASHER	2	
63B	0041208000	PLAIN WASHER	2	
63C	0080200007	SNAP RING	2	
64	0017108040	HEX HEAD BOLT	4	
65	3871824004	STOPPER, CONTROL PANEL	1	
66	0041206000	PLAIN WASHER	1	
67	0605010502	SNAP PIN	1	
68	8221814804	COVER, CONTROL BOX	1	
69	0017108020	HEX, HEAD BOLT	8	
70	8224117004	SIDE PANEL, CONTROL BOX	1	
71	0017108020	HEX, HEAD BOLT	4	
72	8221827704	PANEL, CONTROL BOX	1	
73	0017108020	HEX, HEAD BOLT	8	
74	0017110035	HEX, HEAD BOLT	4	
74A	0207010000	HEX, NUT	4	

DCA-400SSV— ENGINE AND RADIATOR ASSY.

ENGINE AND RADIATOR ASSY.



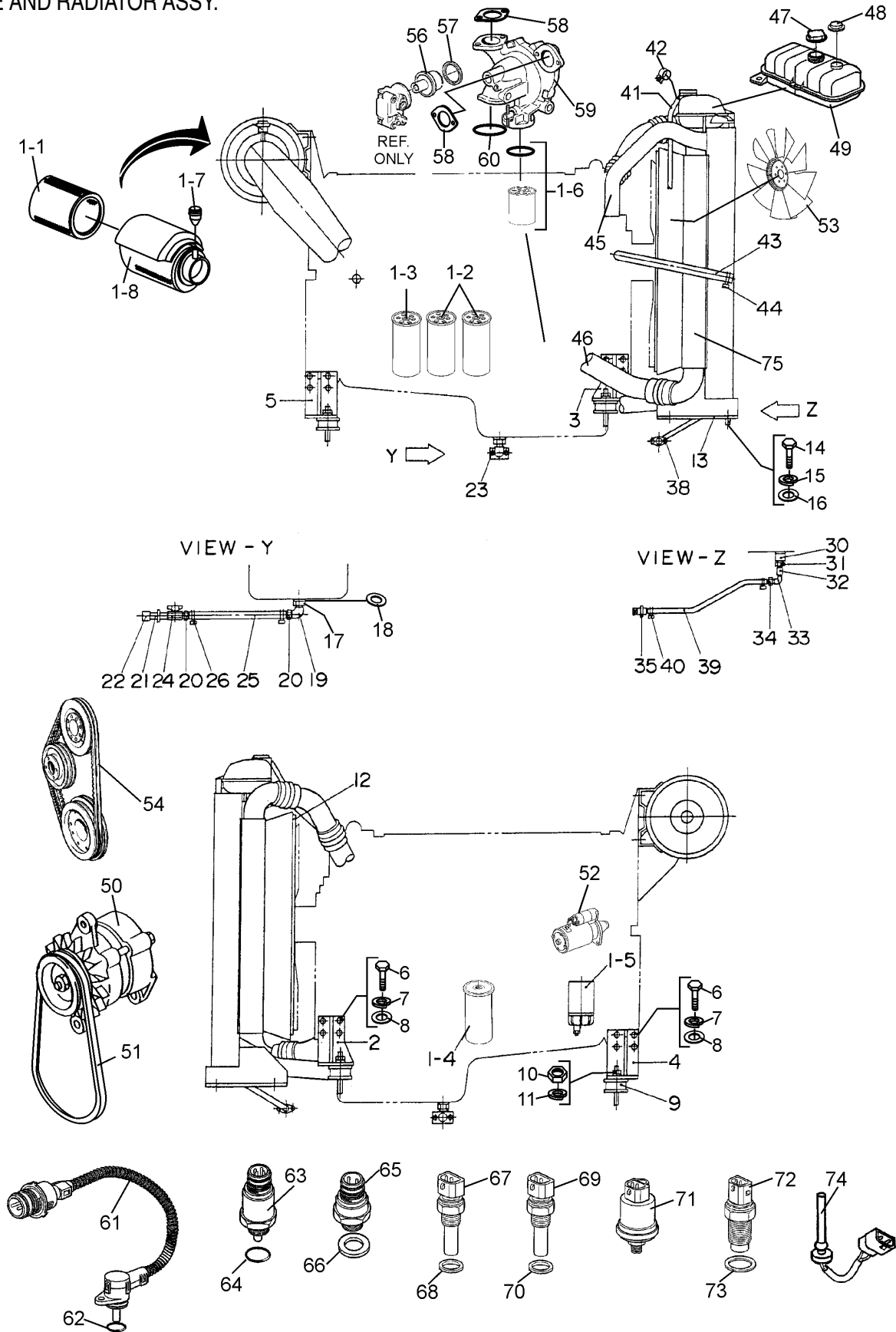
DCA-400SSV— ENGINE AND RADIATOR ASSY.

ENGINE AND RADIATOR ASSY.

<u>NO.</u>	<u>PART NO.</u>	<u>PART NAME</u>	<u>QTY.</u>	<u>REMARKS</u>
1	C3924200154	ENGINE AND RADIATOR SET	1	INCLUDES ITEMS W/*
1-1*	V3827643	ELEMENT, AIR CLEANER	1	REPLACES P/N 0602046623
1-2*	V466634	CARTRIDGE, OIL FILTER, FULL-FLOW	2	REPLACES P/N 0602041275
1-3*	V477556	CARTRIDGE, OIL FILTER, BY-PASS	1	REPLACES P/N 0602041276
1-4*	V8193841	CARTRIDGE, FUEL FILTER	1	REPLACES P/N 0602042561
1-5*	V8159975	CARTRIDGE, FUEL PRE-FILLER	1	REPLACES P/N 0602042765
1-6*	V1699830	CARTRIDGE, FILTER COOLANT	1	REPLACES P/N 0602045160
1-7*	V3828765	INDICATOR, AIR CLEANER	1	REPLACES P/N 0602040605
1-8*	V3828448	AIR CLEANER, COMPLETE	1	
2	C3304200304	ENGINE FOOT	1	
3	C3304200204	ENGINE FOOT	1	
4	C3304200504	ENGINE FOOT	1	
5	C3304200404	ENGINE FOOT	1	
6	0010316045	HEX, HEAD BOLT	16	
7	0040016000	SPRING WASHER	16	
8	0041216000	PLAIN WASHER	16	
9	0605000061	RUBBER SUSPENSION	4	
10	0030016000	HEX, NUT	8	
11	0040016000	SPRING WASHER	8	
12	C3311100403	FAN SHROUD	1	
13	C3311600004	RUBBER SHEET	2	
14	0010112050	HEX, HEAD BOLT	8	
15	0040012000	SPRING WASHER	8	
16	0041212000	PLAIN WASHER	8	
17	6452025504	DRAIN JOINT	1	
18	0802024004	PACKING	1	
19	0130008000	ELBOW JOINT, 3/4"	1	
20	0602022294	HOSE JOINT	2	
21	C0321200004	DRAIN JOINT	1	
22	C0321300004	CAP	1	
23	0017108025	HEX HEAD BOLT	2	
24	0603325017	VALVE	1	
25	0265800460	DRAIN HOSE	1	
26	0605515074	HOSE BAND	2	
27	V948867	ADAPTER	1	REPLACES P/N 0603306591
28	V977409	ELBOW JOINT	1	REPLACES P/N 0603306296
29	V974320	VALVE	1	REPLACES P/N 0602012070
30	E2924100124	CONNECTOR	1	
31	0131608040	REDUCING NIPPLE, 3/4X3/8"	1	
32	0131104000	SOCKET 3/8"	1	
33	0130204000	STREET ELBOW 3/8"	1	
34	0602022219	HOSE JOINT	1	
35	7812014003	DRAIN JOINT	1	

DCA-400SSV— ENGINE AND RADIATOR ASSY.

ENGINE AND RADIATOR ASSY.



DCA-400SSV— ENGINE AND RADIATOR ASSY.

ENGINE AND RADIATOR ASSY.

<u>NO.</u>	<u>PART NO.</u>	<u>PART NAME</u>	<u>QTY.</u>	<u>REMARKS</u>
36	0802011104	PLUG	1	
37	0150000018	O-RING	1	
38	0017106025	HEX, HEAD BOLT	2	
39	0199900900	DRAIN HOSE	1	
40	0605515094	HOSE BAND	2	
41	0191302200	OVERFLOW HOSE	1	
42	0605515094	HOSE BAND	1	
43	0269600780	BREATHER HOSE	1	
44	0605515067	HOSE BAND	2	
45	V3827266	HOSE, RADIATOR UPPER	1	
46	V3827265	HOSE, RADIATOR LOWER	1	
47	V1674922	CAP, FILLER, EXPANSION TANK	1	
48	V1674083	CAP, PRESSURE, EXPANSION TANK	1	
49	TBD	TANK, EXPANSION	1	
50	V3173821	ALTERNATOR 12 VDC	1	
51	V978207	V-BELT, ALTERNATOR	1	
52	V3832674	STARTER MOTOR	1	
53	V3828964	FAN	1	
54	V3828041	V-BELT, MAIN	1	
56	V8149186	THERMOSTAT	1	
57	V1544710	SEALING RING	1	
58	V8170514	GASKET	2	
59	V8170312	WATER PUMP COMPLETE	1	
60	V925255	O-RING	1	
61	V20374281	SENSOR, COOLANT TEMP.	1	
62	V949656	O-RING, SENSOR, COOLANT TEMP.	1	
63	V1077574	SENSOR OIL, PRESSURE & TEMP.	1	
64	V968559	O-RING, SENSOR OIL, PRESSURE & TEMP.	1	
65	V20424056	FUEL PRESSURE MONITOR	1	
66	V947622	GASKET, FUEL PRESSURE MONITOR	1	
67	V862154	SENSOR, TEMPERATURE COOLANT-WATER	1	
68	V11998	GASKET, TEMP, COOLANT-WATER	1	
69	V862627	SENSOR, OIL TEMPERATURE	1	
70	V11998	GASKET, OIL TEMPERATURE	1	
71	V866835	SENSOR, PRESSURE	1	
72	V862251	SENSOR, TACHOMETER	1	
73	V948884	WASHER	1	
74	V8140024	SENSOR, LEVEL	1	
75	V888301	RADIATOR	1	

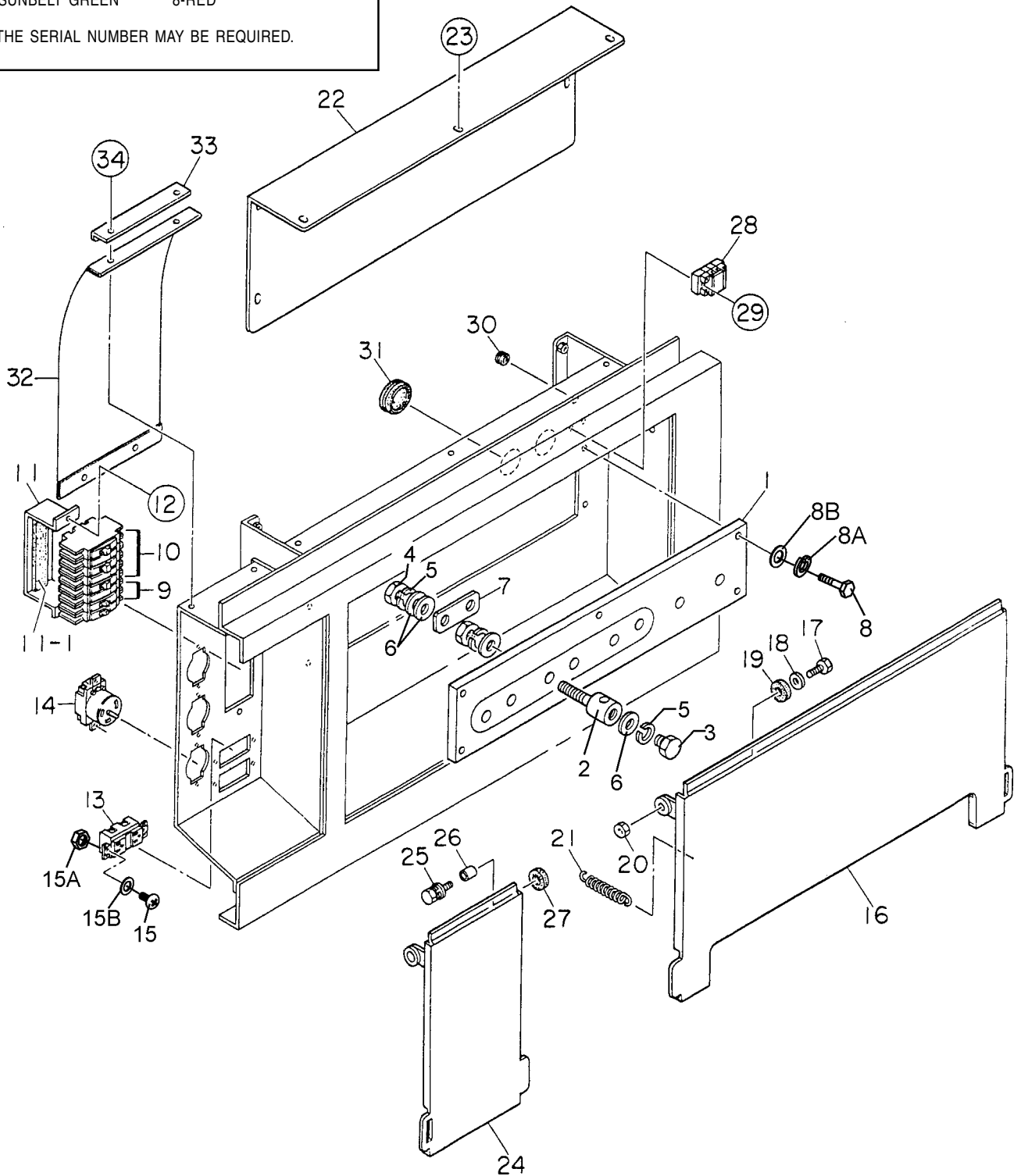
DCA-400SSV— OUTPUT TERMINAL ASSY.

OUTPUT TERMINAL ASSY.

ADD THE FOLLOWING DIGITS AFTER THE PART NUMBER WHEN ORDERING ANY PAINTED PANEL TO INDICATE COLOR OF UNIT:

- | | |
|-----------------|----------------------|
| 1-ORANGE | 5-BLACK |
| 2-WHITE | 6-CATERPILLAR YELLOW |
| 3-SPECTRUM GREY | 7-CATO GOLD |
| 4-SUNBELT GREEN | 8-RED |

THE SERIAL NUMBER MAY BE REQUIRED.



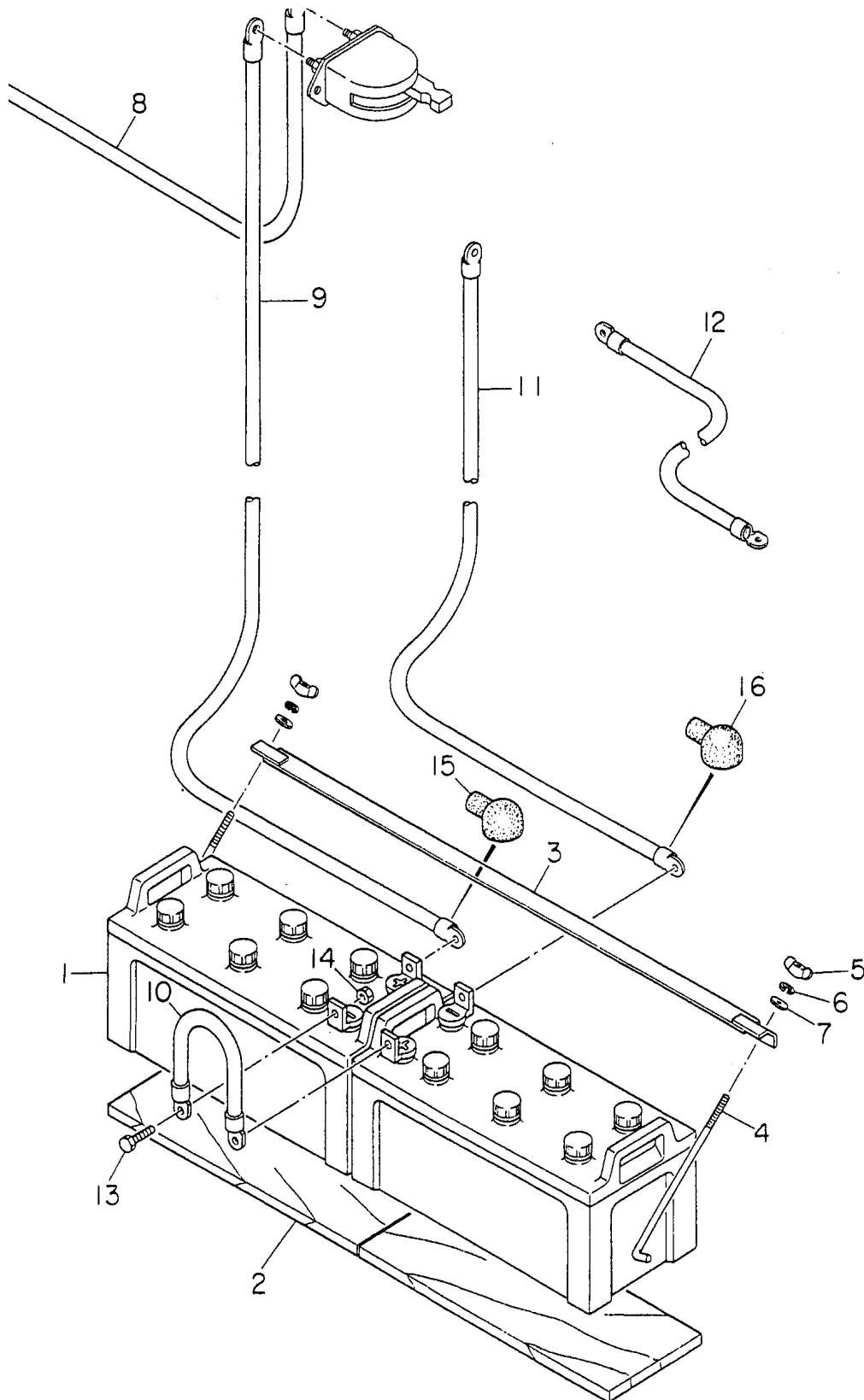
DCA-400SSV— OUTPUT TERMINAL ASSY.

OUTPUT TERMINAL ASSY.

<u>NO.</u>	<u>PART NO.</u>	<u>PART NAME</u>	<u>QTY.</u>	<u>REMARKS</u>
1	8221860203	SET BOARD, OUTPUT TERMINAL	1	
2	0801830404	OUTPUT TERMINAL	8	
3	0801830904	HEX, HEAD BOLT	8	
4	0039320000	HEX, NUT	16	
5	0040020000	SPRING WASHER	24	
6	0041420000	PLAIN WASHER	32	
7	3501860604	TERMINAL PLATE	3	
8	0019110050	HEX, HEAD BOLT	5	
8A	0042310000	SPRING WASHER	5	
8B	0042410000	PLAIN WASHER	5	
9	0601808803	CIRCUIT BREAKER, 20A	2	
10	0601808804	CIRCUIT BREAKER, 50A	3	
11	C3261600704	BRACKET, CIRCUIT BREAKER	1	
11-1	0221200150	RUBBER CUSHION	1	
12	0017106020	HEX, HEAD BOLT	2	
13	0601812598	RECEPTACLE, GF-530EM	2	
14	0601812565	RECEPTACLE, CS-6369	3	
15	0027104016	MACHINE SCREW	10	
15A	0030004000	HEX, NUT	10	
15B	0041204000	PLAIN WASHER	10	
16	C3238100003	COVER, OUTPUT TERMINAL	1	
17	0019112045	HEX, HEAD BOLT	2	
18	0042412000	PLAIN WASHER	2	
19	0805015604	STAY RUBBER	2	
20	0205012000	HEX, NUT	2	
21	0845043704	SPRING	2	
22	C3237100404	COVER	1	
23	0017108020	HEX, HEAD BOLT	7	
24	C0237101504	COVER, OUTPUT TERMINAL	1	
25	0017110040	HEX, HEAD BOLT	2	
26	0845054204	COLLAR	2	
27	0805015604	STAY RUBBER	1	
28	0601815324	TERMINAL BOARD	1	
29	0027104020	MACHINE SCREW	2	
30	0601850275	GROMMET	1	
31	0601851780	GROMMET	2	
32	C2237101504	COVER	1	
33	C2237400104	BRACKET	1	
34	0017106020	HEX, HEAD BOLT	2	

DCA-400SSV— BATTERY ASSY.

BATTERY ASSY.



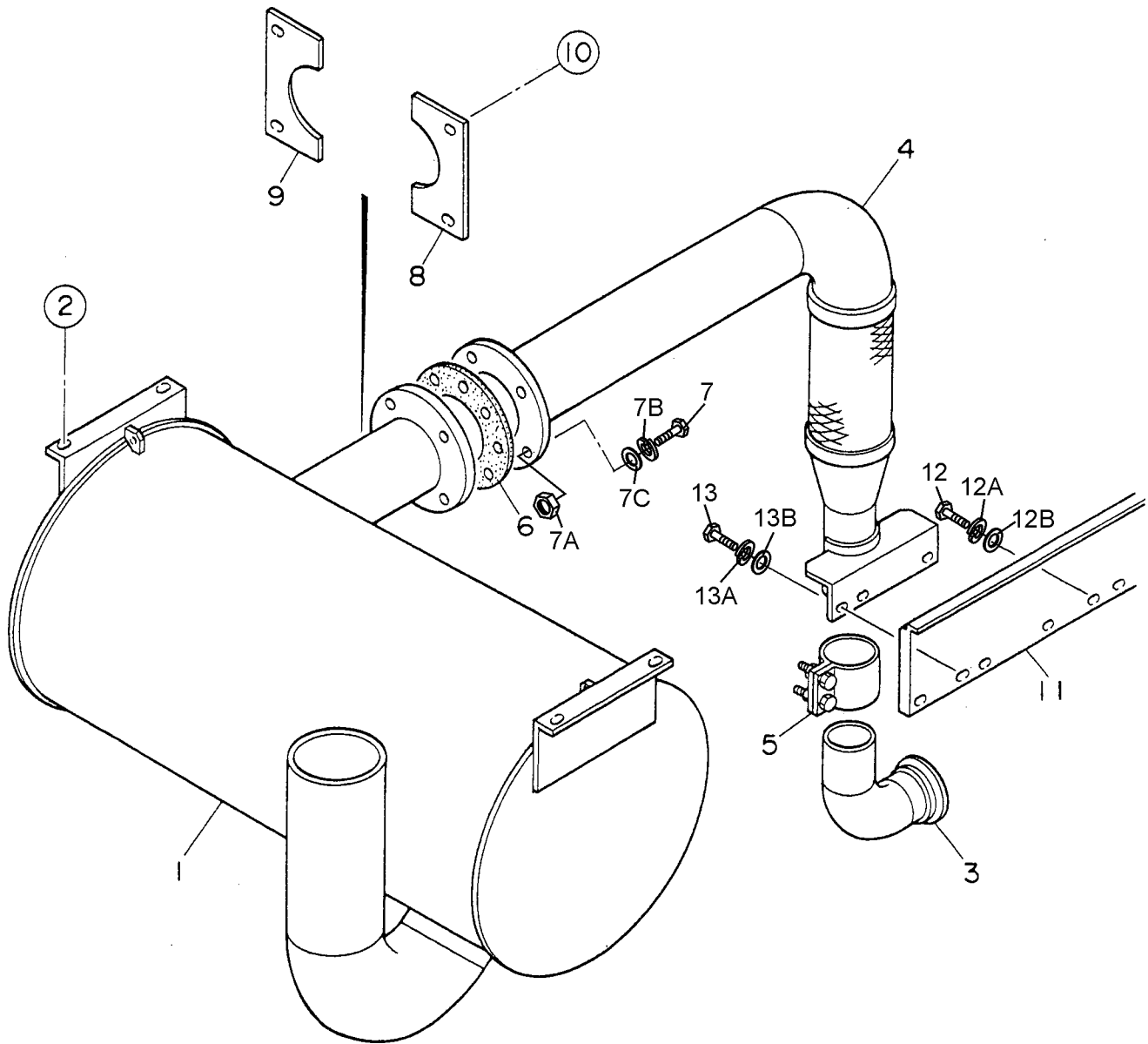
DCA-400SSV— BATTERY ASSY.

BATTERY ASSY.

<u>NO.</u>	<u>PART NO.</u>	<u>PART NAME</u>	<u>QTY.</u>	<u>REMARKS</u>
1	0168614551	BATTERY	2	
2	0805000804	BATTERY SHEET	2	
3	3972250004	BATTERY BAND	1	
4	0805002904	BATTERY BOLT	2	
5	0037808000	WING NUT	2	
6	0040008000	SPRING WASHER	2	
7	0041208000	PLAIN WASHER	2	
8	E6348600304	BATTERY CABLE	1	
9	C3347601704	BATTERY CABLE	1	
10	C3347601504	BATTERY CABLE	1	
11	C3347200304	BATTERY CABLE	1	
12	C3347200204	EARTH CABLE	1	
13	0347010030	HEX, HEAD BOLT	4	
14	0208110000	HEX, NUT	4	
15	0845040414	TERMINAL CAP(+)	2	
16	0845041304	TERMINAL CAP(-)		

DCA-400SSV— MUFFLER ASSY.

MUFFLER ASSY.



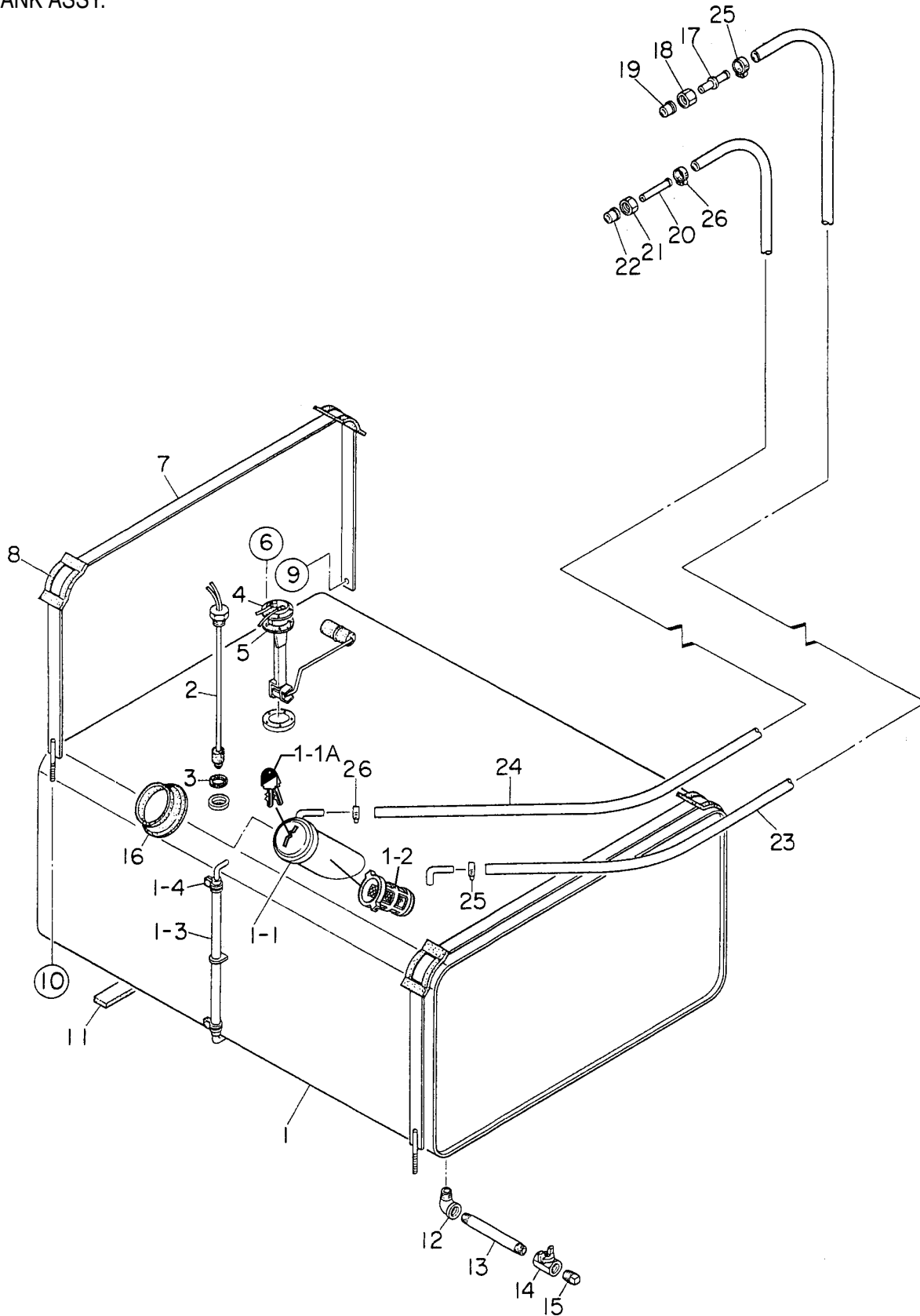
DCA-400SSV— MUFFLER ASSY.

MUFFLER ASSY.

<u>NO.</u>	<u>PART NO.</u>	<u>PART NAME</u>	<u>QTY.</u>	<u>REMARKS</u>
1	C3331100502	MUFFLER	1	
2	0019210025	HEX, HEAD BOLT	4	
3	C3334000703	EXHAUST PIPE	1	
4	C3334000803	EXHAUST PIPE	1	
5	0602325085	SEAL CLAMP	1	
6	C3334200804	GASKET	1	
7	0010316070	HEX, HEAD BOLT	4	
7A	0030316000	HEX, NUT	4	
7B	0042516000	SPRING WASHER	4	
7C	0041216000	PLAIN WASHER	8	
8	C3331300404	COVER	1	
9	C3331300504	COVER	1	
10	0019208020	HEX, HEAD BOLT	4	
11	C3484100014	COVER	1	
12	0010310025	HEX, HEAD BOLT	4	
12A	0042510000	SPRING WASHER	4	
12B	0041210000	PLAIN WASHER	4	
13	0010310030	HEX, HEAD BOLT	3	
13A	0042510000	SPRING WASHER	3	
13B	0041210000	PLAIN WASHER	3	

DCA-400SSV— FUEL TANK ASSY.

FUEL TANK ASSY.



DCA-400SSV— FUEL TANK ASSY.

FUEL TANK ASSY.

<u>NO.</u>	<u>PART NO.</u>	<u>PART NAME</u>	<u>QTY.</u>	<u>REMARKS</u>
1	C3364001703	FUEL TANK	1	
1-1	0605505005	CAP, FUEL TANK	1	
1-1A	0601850505	KEY	1	
1-2	0810105400	FUEL FILTER	1	
1-3	0264100425	HOSE, FUEL GAUGE	1	
1-4	0605515079	HOSE BAND	2	
2	0605503020	FUEL SENSOR	1	
3	0802120604	PACKING	1	
4	0605501050	UNIT, FUEL	1	
5	0602021155	PACKING	1	
6	0022905015	MACHINE SCREW	5	
7	8225523104	TANK BAND	2	
8	0805003414	PAD, TANK BAND	4	
9	0017108020	HEX, HEAD BOLT	2	
10	0207308000	HEX, NUT	2	
11	0222100300	TANK SHEET	6	
12	0130206000	STREET ELBOW, 1/2"	1	
13	3515512014	DRAIN PIPE	1	
14	0603325011	VALVE, 1/2"	1	
15	0132006000	PLUG, 1/2"	1	
16	0845039604	RUBBER SEAL	1	
17	C3367200204	JOINT PIPE	1	
18	V956984	NUT	1	REPLACES P/N 0603303070
19	V980782	SLEEVE	1	REPLACES P/N 0603302070
20	C3367300104	JOINT PIPE	1	
21	V956983	NUT	1	REPLACES P/N 0603303071
22	V956969	SLEEVE	1	REPLACES P/N 0603302071
23	0191403650	SUCTION HOSE	1	
24	0191303950	RETURN HOSE	1	
25	0605515132	HOSE BAND	2	
26	0605515121	HOSE BAND	2	

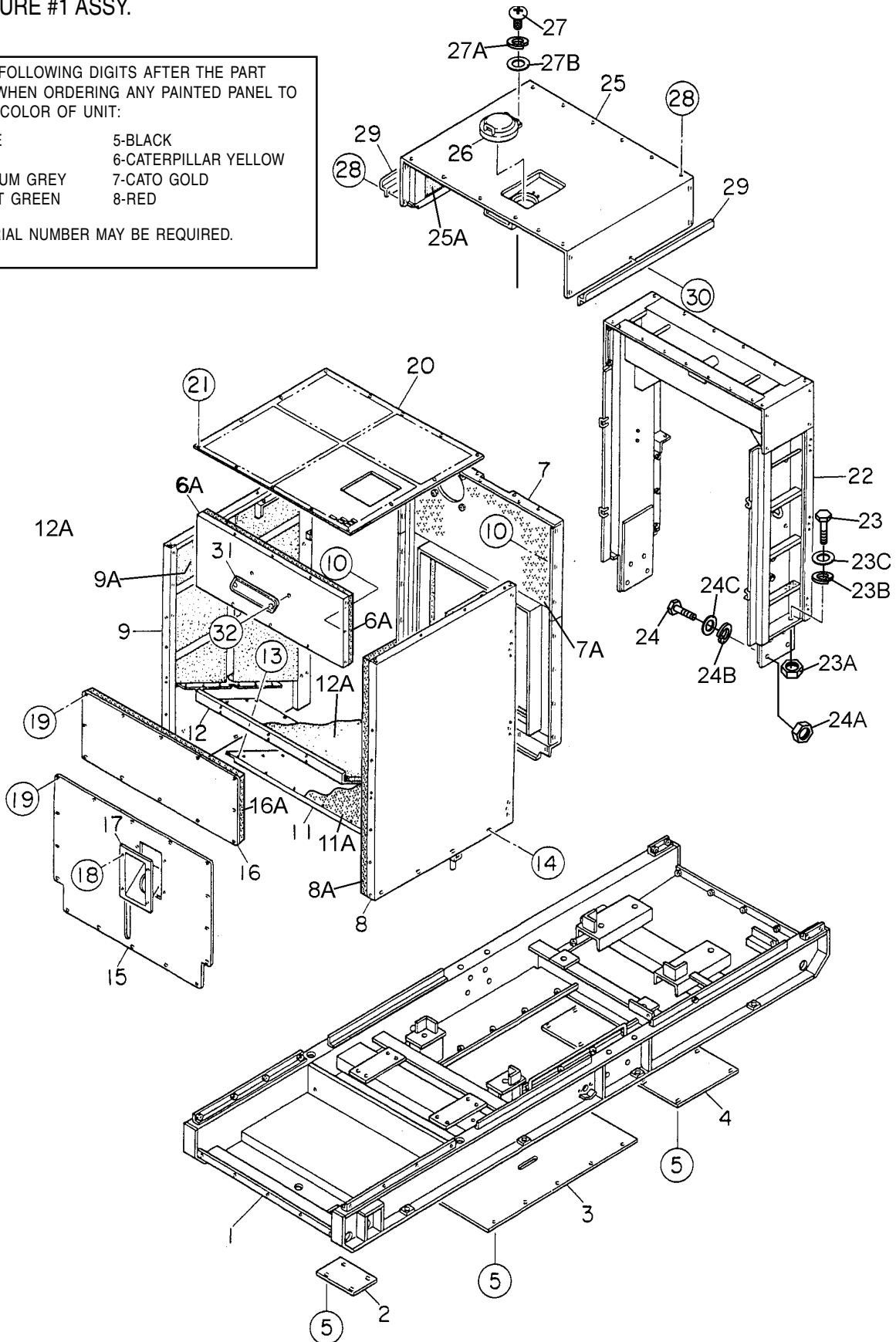
DCA-400SSV— ENCLOSURE #1 ASSY.

ENCLOSURE #1 ASSY.

ADD THE FOLLOWING DIGITS AFTER THE PART NUMBER WHEN ORDERING ANY PAINTED PANEL TO INDICATE COLOR OF UNIT:

- | | |
|-----------------|----------------------|
| 1-ORANGE | 5-BLACK |
| 2-WHITE | 6-CATERPILLAR YELLOW |
| 3-SPECTRUM GREY | 7-CATO GOLD |
| 4-SUNBELT GREEN | 8-RED |

THE SERIAL NUMBER MAY BE REQUIRED.



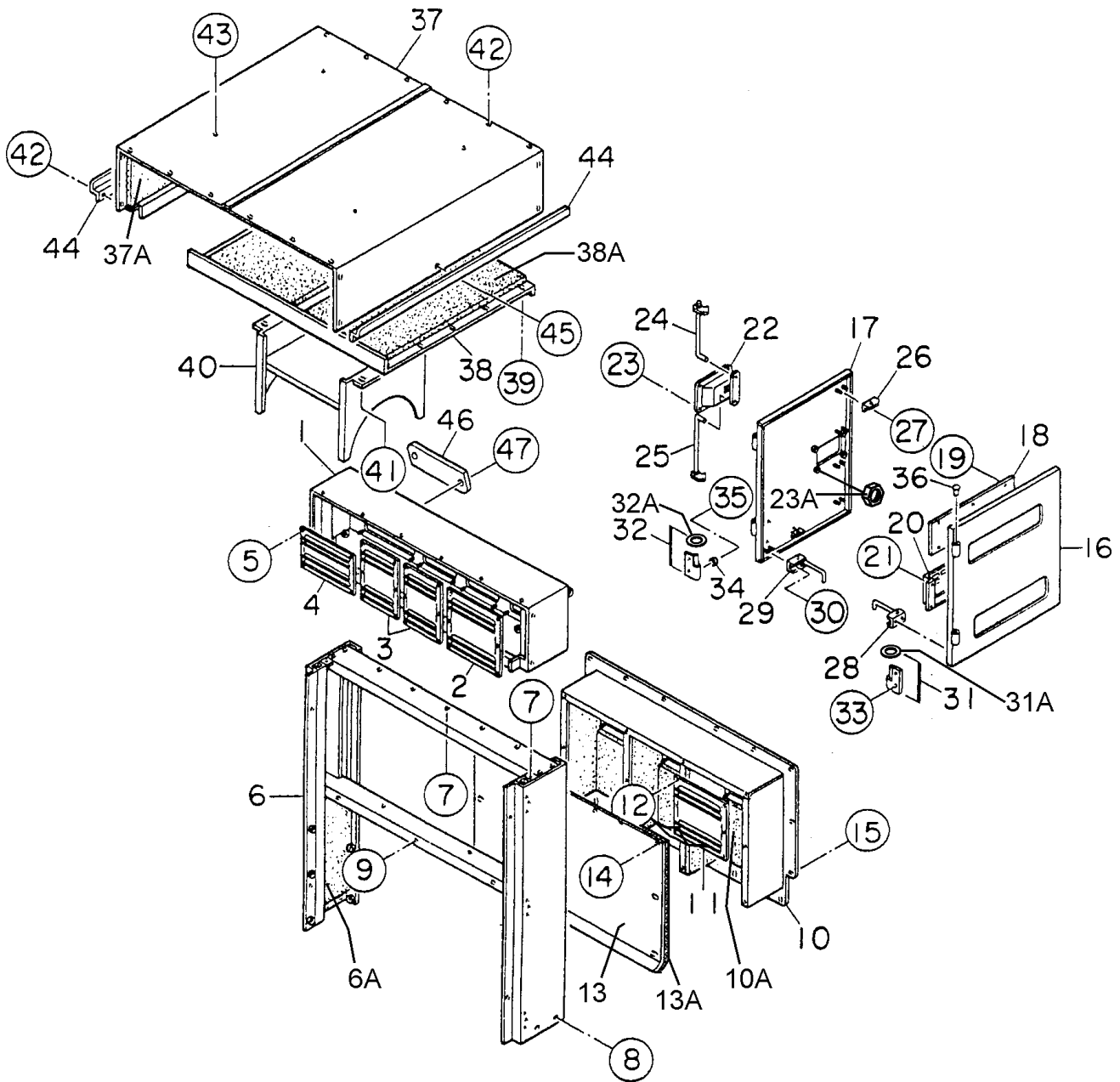
DCA-400SSV— ENCLOSURE #1 ASSY.

ENCLOSURE #1 ASSY.

<u>NO.</u>	<u>PART NO.</u>	<u>PART NAME</u>	<u>QTY.</u>	<u>REMARKS</u>
1	C3414002802	BASE	1	
2	C3414100104	CAP, FUEL TANK	1	
3	C3414100704	FLOOR PANEL	1	
4	C3414100604	FLOOR PANEL	1	
5	0019208020	HEX, HEAD BOLT	26	
6	C3424001204	FRONT FRAME	1	
6A	C3494102103	LINING	1	
7	C3424002713	FRONT FRAME	1	
7A	C3494102103	LINING	1	
8	C3424002802	FRONT FRAME	1	
8A	C3494102103	LINING	1	
9	C3424002902	FRONT FRAME	1	
9A	C3494102103	LINING	1	
10	0019208020	HEX, HEAD BOLT	20	
11	C3424300803	GUIDE PANEL, AIR	1	
11A	C3494102103	LINING	1	
12	C3424300303	GUIDE PANEL, AIR	1	
12A	C3494102103	LINING	1	
13	0019208020	HEX, HEAD BOLT	24	
14	0019210025	HEX, HEAD BOLT	8	
15	C3424201403	COVER, FRONT FRAME	1	
16	C3424202504	COVER, FRONT FRAME	1	
16A	C3494102404	LINING	1	
17	0845042703	FILLER BRACKET	1	
18	0019208020	HEX, HEAD BOLT	4	
19	0019208020	HEX, HEAD BOLT	28	
20	C3424202603	COVER, FROM FRAME	1	
21	0019208020	HEX, HEAD BOLT	14	
22	C3434001002	CENTER FRAME	1	
23	0010120070	HEX, HEAD BOLT	4	
23A	0030020000	HEX, NUT	4	
23B	0040020000	SPRING WASHER	4	
23C	0041220000	PLAIN WASHER	8	
24	0010120060	HEX, HEAD BOLT	8	
24A	0030020000	HEX, NUT	8	
24B	0040020000	SPRING WASHER	8	
24C	0041220000	PLAIN WASHER	16	
25	C3464100802	ROOF PANEL	1	
25A	C3494501604	LINING	1	
26	0800251701	FILLER COVER	1	
27	0025006016	MACHINE SCREW	2	
27A	0042306000	SPRING WASHER	2	
27B	0042406000	PLAIN WASHER	2	
28	0019208020	HEX, HEAD BOLT	20	
29	C3464501504	GUTTER	2	
30	0019208020	HEX, HEAD BOLT	2	
31	0600500090	EMBLEM	1	
32	0021106016	MACHINE SCREW	2	

DCA-400SSV— ENCLOSURE #2 ASSY.

ENCLOSURE #1 ASSY.



ADD THE FOLLOWING DIGITS AFTER THE PART NUMBER WHEN ORDERING ANY PAINTED PANEL TO INDICATE COLOR OF UNIT:

- | | |
|-----------------|----------------------|
| 1-ORANGE | 5-BLACK |
| 2-WHITE | 6-CATERPILLAR YELLOW |
| 3-SPECTRUM GREY | 7-CATO GOLD |
| 4-SUNBELT GREEN | 8-RED |

THE SERIAL NUMBER MAY BE REQUIRED.

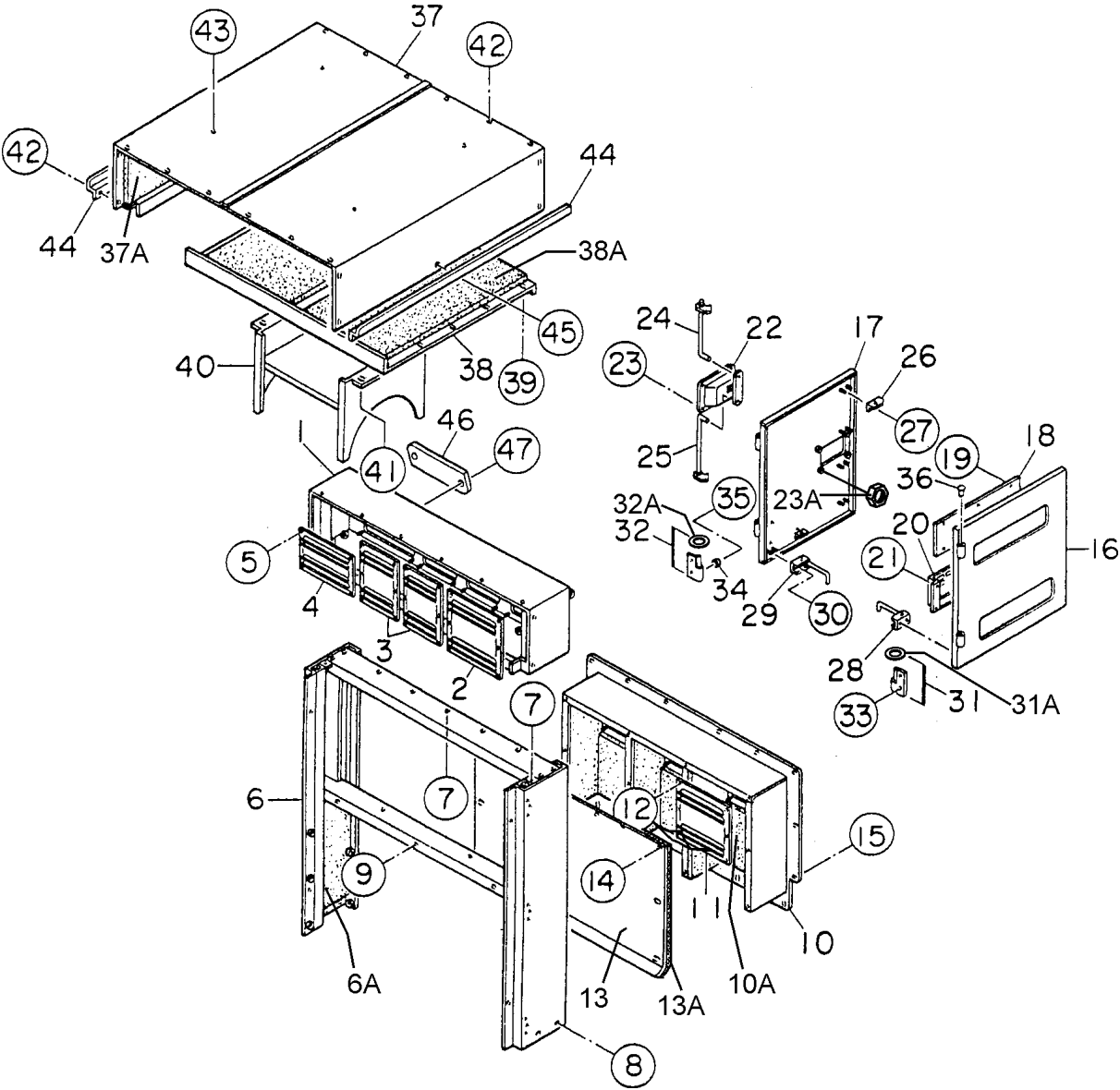
DCA-400SSV— ENCLOSURE #2 ASSY.

ENCLOSURE #1 ASSY.

<u>NO.</u>	<u>PART NO.</u>	<u>PART NAME</u>	<u>QTY.</u>	<u>REMARKS</u>
1	C3444002203	REAR FRAME	1	
2	8195151204	LOUVER PANEL	1	
3	C3454700104	LOUVER PANEL	2	
4	8175151204	LOUVER PANEL	1	
5	0207006000	HEX, NUT	22	
6	C3444001702	REAR FRAME	1	
6A	8225940104	LINING	1	
7	0017108020	HEX, HEAD BOLT	11	
8	0019210025	HEX, HEAD BOLT	4	
9	0017110025	HEX, HEAD BOLT	3	
10	C3444302203	COVER, REAR FRAME	1	
10A	C3494302004	LINING	1	
11	8195151004	LOUVER PANEL	3	
12	0207006000	HEX, NUT	18	
13	C3444302104	DUCT COVER	1	
13A	C3491400004	LINING	1	
14	0017108020	HEX, HEAD BOLT	12	
15	0019208020	HEX, HEAD BOLT	15	
16	C3444200503	DOOR, REAR FRAME	1	
17	C3444200903	DOOR, REAR FRAME	1	
18	8225147004	WINDOW PLATE	2	
19	0037906000	HEX, NUT	12	
20	B9114500104	DOOR POCKET	1	
21	0207006000	HEX, NUT	4	
22	B9114000102	DOOR HANDLE	1	
23	0021806015	MACHINE SCREW	4	
23A	0030006000	HEX, NUT	4	
24	8225146204	DOOR ROD	1	
25	8225146304	DOOR ROD	1	

DCA-400SSV— ENCLOSURE #2 ASSY. (CONT.)

ENCLOSURE #2 ASSY. (CONT.)



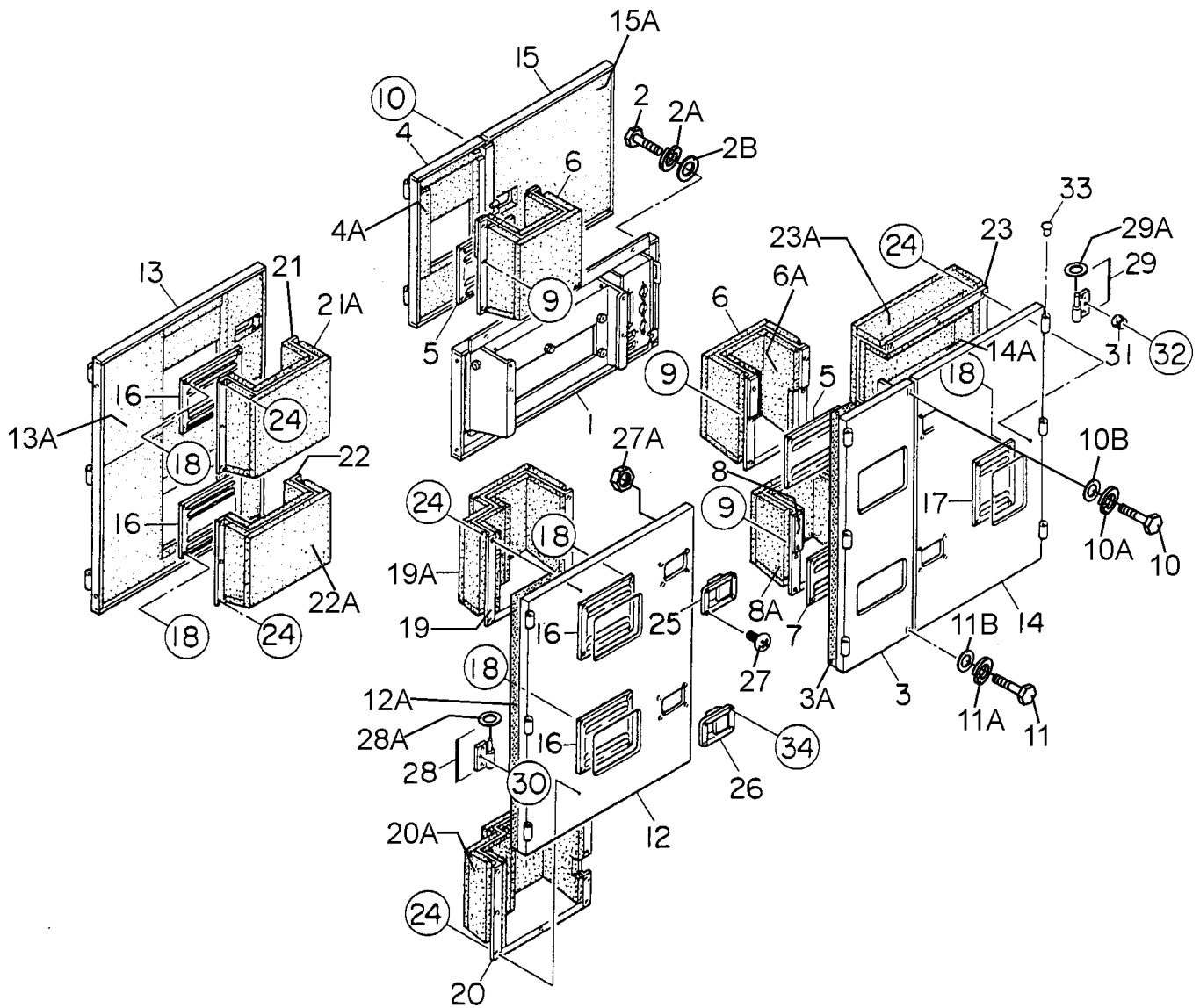
DCA-400SSV— ENCLOSURE #2 ASSY.(CONT.)

ENCLOSURE #2 ASSY.(CONT.)

<u>NO.</u>	<u>PART NO.</u>	<u>PART NAME</u>	<u>QTY.</u>	<u>REMARKS</u>
26	0845050704	STAY	4	
27	0207006000	HEX, NUT	8	
28	0805011304	STOPPER, DOOR	1	
29	0805011204	STOPPER, DOOR	1	
30	0207006000	HEX, NUT	4	
31	0845047104	HINGE	2	
31A	0845045004	WASHER	2	
32	0845047204	HINGE	2	
32A	0845045004	WASHER	2	
33	0019208020	HEX, HEAD BOLT	6	
34	0601850097	STOPPER	2	
35	0025408025	MACHINE SCREW	2	
36	0845031504	CAP	4	
37	C3464200702	ROOF PANEL	1	
37A	C3494501304	LINING	1	
38	C3464501204	COVER, ROOF PANEL	1	
38A	C3494501404	LINING	1	
39	0017108020	HEX, HEAD BOLT	15	
40	C3374200003	COVER, AIR CLEANER	1	
41	0017108020	HEX, HEAD BOLT	6	
42	0019208020	HEX, HEAD BOLT	20	
43	0019210025	HEX, HEAD BOLT	4	
44	C3464501604	GUTTER	2	
45	0019208020	HEX, HEAD BOLT	2	
46	0600500090	EMBLEM	1	
47	0021106016	MACHINE SCREW	2	

DCA-400SSV— ENCLOSURE #3 ASSY.

ENCLOSURE #3 ASSY.



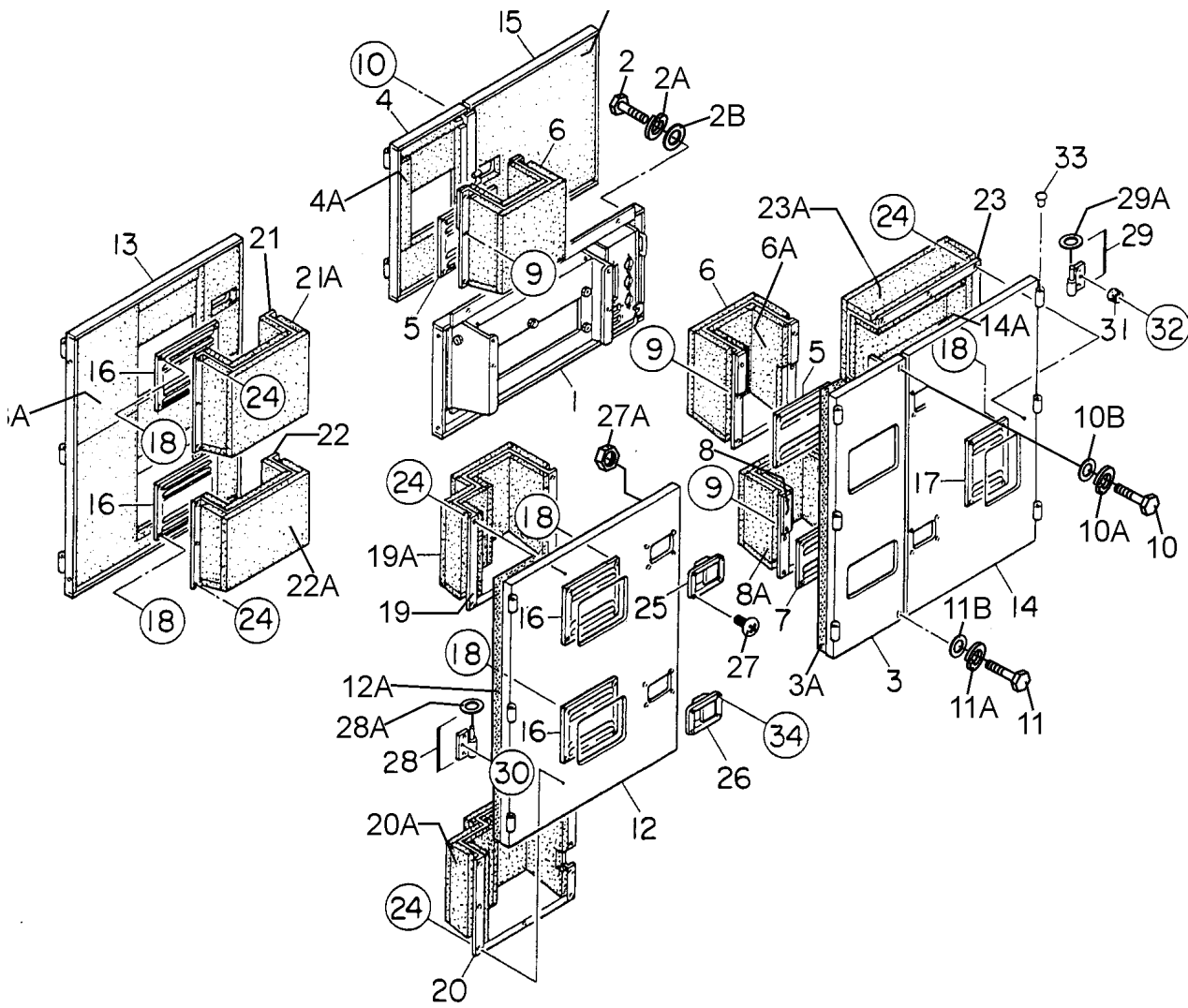
DCA-400SSV— ENCLOSURE #3 ASSY.

ENCLOSURE #3 ASSY.

<u>NO.</u>	<u>PART NO.</u>	<u>PART NAME</u>	<u>QTY.</u>	<u>REMARKS</u>
1	C3454202902	SPLASHER PANEL	4	
2	0019108065	HEX, HEAD BOLT	6	
2A	0042308000	SPRING WASHER	6	
2B	0042408000	PLAIN WASHER	6	
3	C3454102603	SIDE PANEL	1	
3A	C3494409304	LINING	1	
4	C3454102703	SIDE PANEL	1	
4A	C3494409404	LINING	1	
5	C3454700604	LOUVER PANEL	2	
6	C3454303604	DUCT	2	
6A	C3494410504	LINING	2	
7	C3454700504	LOUVER PANEL	1	
8	C3454303704	DUCT	1	
8A	C3494410604	LINING	1	
9	0207006000	HEX, NUT	23	
10	0019108065	HEX, HEAD BOLT	3	
10A	0042308000	SPRING WASHER	3	
10B	0042408000	PLAIN WASHER	3	
11	0019108055	HEX, HEAD BOLT	1	
11A	0042308000	SPRING WASHER	1	
11B	0042408000	PLAIN WASHER	1	
12	C3454004903	SIDE DOOR	1	
12A	C3494409604	LINING	1	
13	C3454005003	SIDE DOOR	1	
13A	C3494409704	LINING	1	
14	C3454005103	SIDE DOOR	1	
14A	C3494410004	LINING	1	
15	C3454005203	SIDE DOOR	1	
15A	C3494402704	LINING	1	

DCA-400SSV— ENCLOSURE #3 ASSY. (CONT)

ENCLOSURE #2 ASSY. (CONT.)



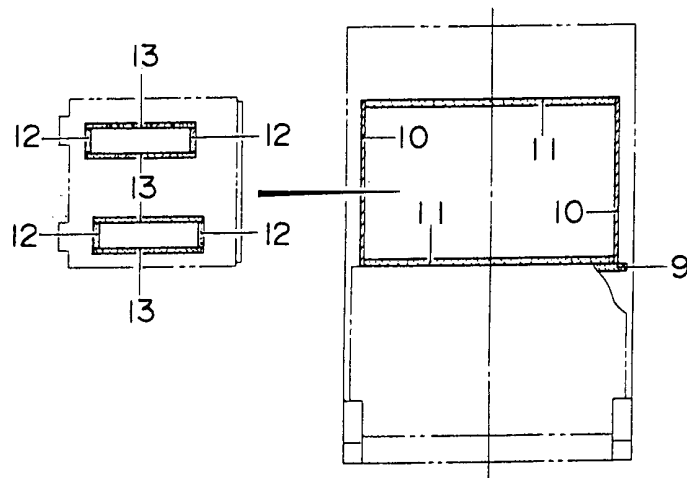
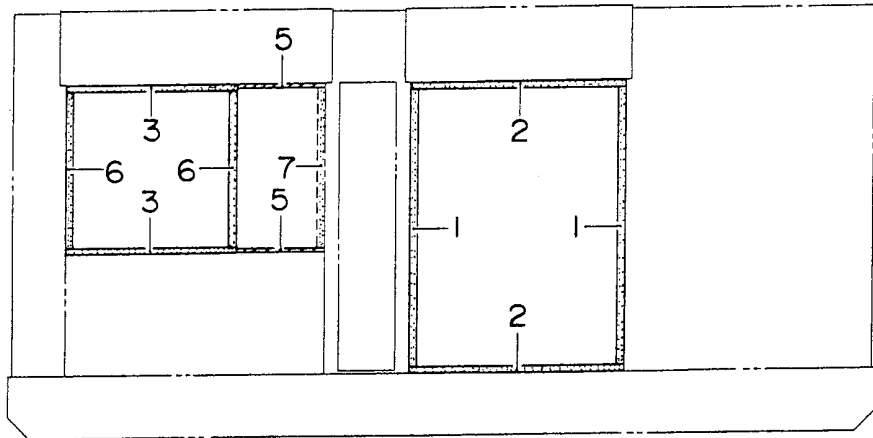
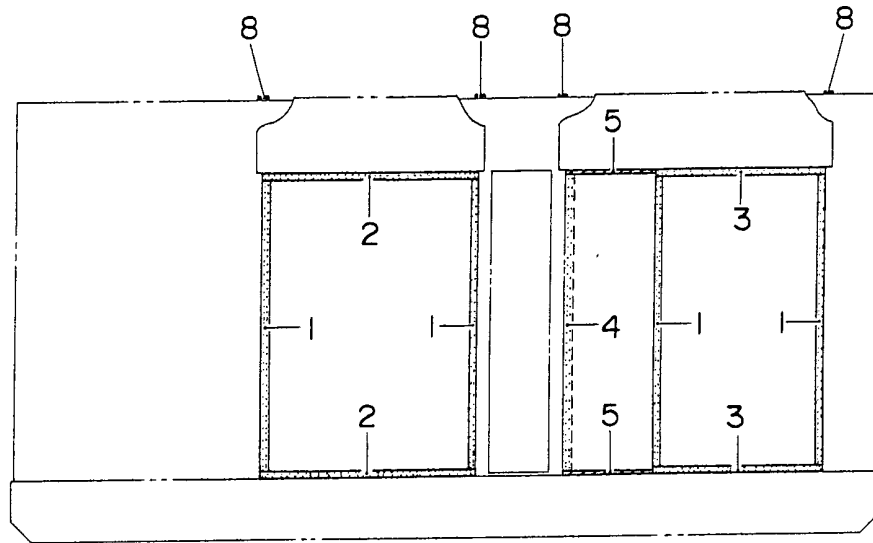
DCA-400SSV— ENCLOSURE #3 ASSY. (CONT)

ENCLOSURE #2 ASSY. (CONT.)

<u>NO.</u>	<u>PART NO.</u>	<u>PART NAME</u>	<u>QTY.</u>	<u>REMARKS</u>
16	8195151004	LOUVER PANEL	4	
17	3875151304	LOUVER PANEL	1	
18	0207006000	HEX, NUT	30	
19	C3454303104	DUCT	1	
19A	C3494409804	LINING	1	
20	C3454303204	DUCT	1	
20A	C3494409904	LINING	1	
21	C3454303304	DUCT	1	
21A	C3494410304	LINING	1	
22	C3454303404	DUCT	1	
22A	C3494410404	LINING	1	
23	C3454303504	DUCT	1	
23A	C3494410104	LINING	1	
24	0207006000	HEX, NUT	36	
25	B9114000002	DOOR HANDLE	4	
26	0825007362	DOOR HANDLE	3	
27	0021806015	MACHINE SCREW	16	
27A	0030006000	HEX, NUT	16	
28	0845046904	HINGE	8	
28A	0845045004	WASHER	8	
29	0845047004	HINGE	8	
29A	0845045004	WASHER	8	
30	0019208020	HEX, HEAD BOLT	38	
31	0601850097	STOPPER	10	
32	0025408025	MACHINE SCREW	10	
33	0845031504	CAP	16	
34	0021806015	MACHINE SCREW	12	

DCA-400SSV— RUBBER SEALS ASSY.

RUBBER SEALS ASSY.



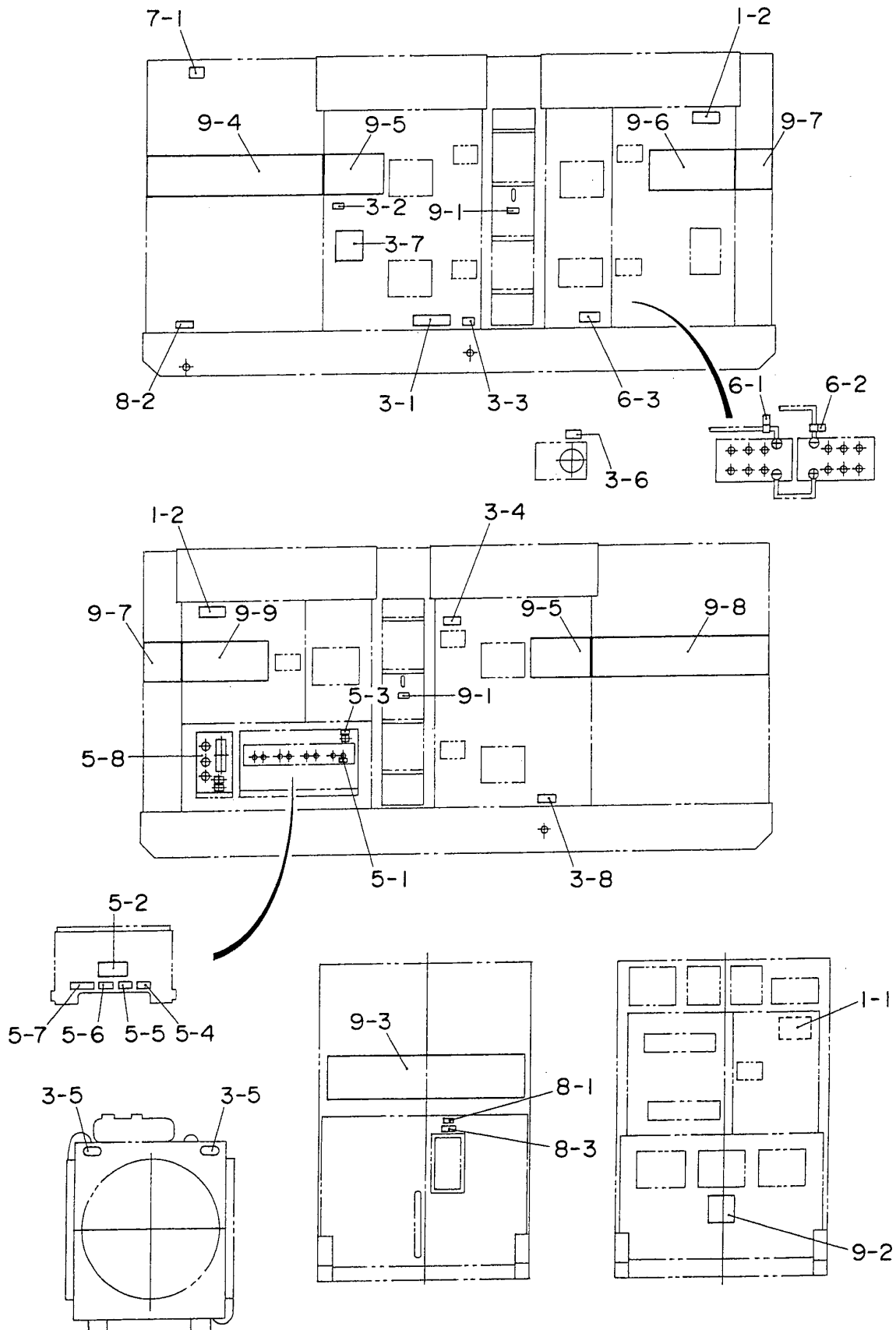
DCA-400SSV— RUBBER SEALS ASSY.

RUBBER SEALS ASSY.

<u>NO.</u>	<u>PART NO.</u>	<u>PART NAME</u>	<u>QTY.</u>	<u>REMARKS</u>
1	0228901390	RUBBER SEAL	6	
2	0228901075	RUBBER SEAL	4	
3	0228900825	RUBBER SEAL	4	
4	0228901410	RUBBER SEAL	1	
5	0228800445	RUBBER SEAL	4	
6	0228900790	RUBBER SEAL	2	
7	0228900810	RUBBER SEAL	1	
8	0229201400	RUBBER SEAL	4	
9	0229201340	RUBBER SEAL	1	
10	0221200795	RUBBER SEAL	2	
11	0228801240	RUBBER SEAL	2	
12	0228100120	RUBBER SEAL	4	
13	0228100510	RUBBER SEAL	4	

DCA-400SSV— NAMEPLATE AND DECALS ASSY.

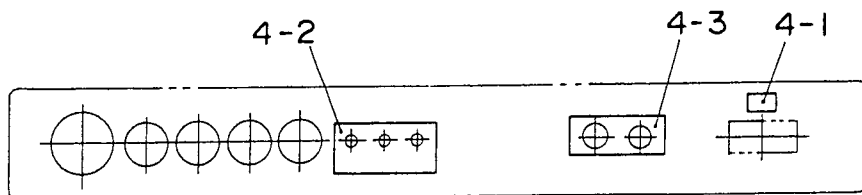
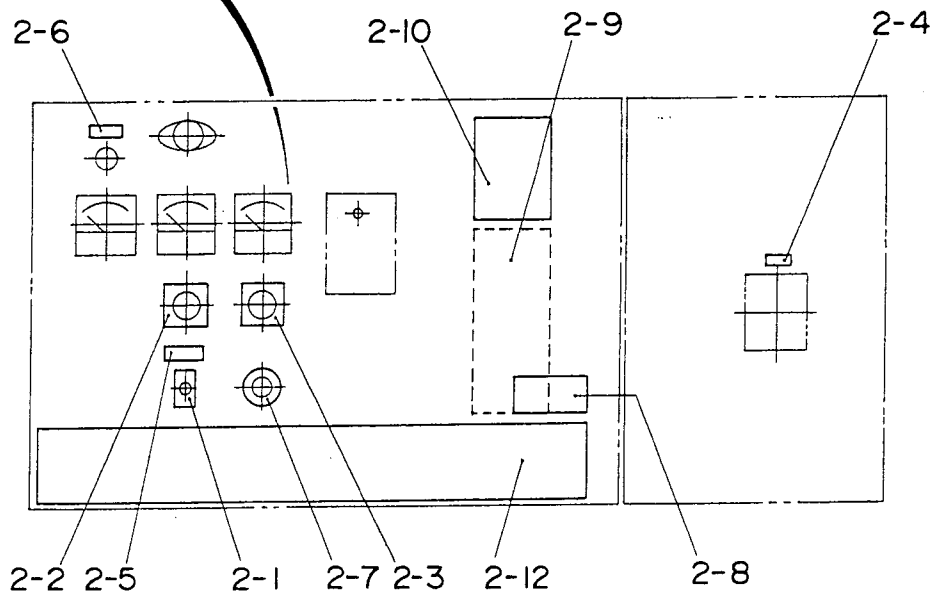
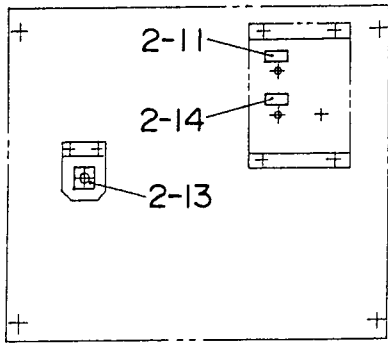
NAMEPLATE AND DECALS ASSY.



DCA-400SSV— NAMEPLATE AND DECALS ASSY.

NAME PLATE ASSY.

<u>NO.</u>	<u>PART NO.</u>	<u>PART NAME</u>	<u>QTY.</u>	<u>REMARKS</u>
1-1	C3551002303	DECAL; HANDLING PROCEDURES	1	C35100230
1-2	C9522100003	DECAL; CAUTION	2	C92210000
CONTROL BOX GROUP				
2-1	0800520100	PLATE: ON-OFF	1	AT-202
2-2	0800520904	PLATE; AMMETER CHANGE-OVER SWITCH	1	N-2438
2-3	0800520814	PLATE; VOLTMETER CHANGE-OVER SWITCH	1	N-2439
2-4	0840624504	DECAL; CIRCUIT BREAKER	1	S-3031
2-5	0840624604	DECAL; PANEL LIGHT SWITCH	1	S-3032
2-6	0840624704	DECAL; PILOT LAMP	1	S-3033
2-7	0840624804	DECAL; VOLTAGE REGULATOR	1	S-3034
2-8	B9531100604	DECAL; WARNING ELECTRIC SHOCK HAZARD	1	B93110060
2-9	C0551000903	DECAL; SETTING FOR OUTPUT VOLTAGE	1	C05100090
2-10	C2551000004	DECAL; SAFETY INSTRUCTION	1	C25100000
2-11	C3551001004	DECAL; DIAGNOSTIC LAMP	1	C35100100
2-12	C3561101803	DECAL; WHISPERWATT 400	1	C36110180
2-13	C9502400004	DECAL; HIGH IDLE SPEED	1	C90240000
2-14	Z0110001504	DECAL; RESET	1	Z01000150
ENGINE & RADIATOR GROUP				
3-1	1320610603	DECAL; WATER - OIL	1	S-1760
3-2	6360610304	DECAL; WATER	1	S-1880
3-3	6360620204	DECAL; OIL DRAIN PLUG	1	S-1885
3-4	B9504000304	DECAL; CAUTION HOT PARTS	1	B90400030
3-5	B9504000404	DECAL; WARNING MOVING PARTS	2	B90400040
3-6	B9504100104	DECAL; WARNING HOT COOLANT	1	B90410010
3-7	C3551001303	DECAL; AIR BLEEDING PROCEDURE	1	C35100130
3-8	C3551002704	DECAL; COOLING WATER DRAIN PLUG	1	C35100270
ENGINE OPERATING PANEL GROUP				
4-1	C0551000504	DECAL; BATTERY SWITCH	1	C05100050
4-2	C3551002504	DECAL; ALARM LAMP	1	C35100250
4-3	C3551002604	DECAL; OPERATING PANEL	1	C35100260
OUTPUT TERMINAL GROUP				
5-1	0840614104	DECAL; GROUND	1	S-2635
5-2	0840619904	DECAL; DANGER HIGH VOLTAGE	1	S-2731
5-3	9039209064	DECAL; START CONTACT	1	S-4468



DCA-400SSV— NAMEPLATE AND DECALS ASSY.

NAME PLATE AND DECALS ASSY.

<u>NO.</u>	<u>PART NO.</u>	<u>PART NAME</u>	<u>QTY.</u>	<u>REMARKS</u>
5-4	B9511100304	DECAL; WARNING	1	B91110030
5-5	B9511100404	DECAL; WARNING ELECTRIC SHOCK HAZARD	1	B91110040
5-6	B9531100504	DECAL; WARNING ELECTRIC SHOCK HAZARD	1	B93110050
5-7	C0551000404	DECAL; 3-PHASE OUTPUT TERMINAL	1	C05100040
5-8	C1551000803	DECAL; RECEPTACLE & CIRCUIT BREAKER	1	C15100080
BATTERY GROUP				
6-1	0800689404	DECAL; +	1	S-2090
6-2	0800689504	DECAL; -	1	S-2091
6-3	C9505300004	DECAL; CAUTION	1	C90530000
MUFFLER GROUP				
7-1	B9504200004	DECAL; WARNING ENGINE EXHAUST	1	B90420000
FUEL TANK GROUP				
8-1	1320620904	DECAL; DIESEL FUEL	1	S-1756
8-2	6360620004	DECAL; FUEL DRAIN PLUG	1	S-1883
8-3	B9504500004	DECAL; WARNING DIESEL FUEL	1	B90450000
BONNET GROUP				
9-1	1320621504	DECAL; SUPPORT HOOK	2	S-2257
9-2	0840625902	DECAL; MQ	1	S-3057
9-3	C3561101003	STRIPE	1	
9-4	C3561101703	STRIPE	1	
9-5	C3561101503	STRIPE	2	
9-6	C3561100803	STRIPE	1	
9-7	C3561100104	STRIPE	2	
9-8	C3561101603	STRIPE	1	
9-9	C3561100203	STRIPE	1	

PAYMENT TERMS

Terms of payment for parts are net 10 days.

FREIGHT POLICY

All parts orders will be shipped collect or prepaid with the charges added to the invoice. All shipments are F.O.B. point of origin. Multiquip's responsibility ceases when a signed manifest has been obtained from the carrier, and any claim for shortage or damage must be settled between the consignee and the carrier.

MINIMUM ORDER

The minimum charge for orders from Multiquip is \$15.00 net. Customers will be asked for instructions regarding handling of orders not meeting this requirement.

RETURNED GOODS POLICY

Return shipments will be accepted and credit will be allowed, subject to the following provisions:

1. A Returned Material Authorization must be approved by Multiquip prior to shipment.
2. To obtain a Return Material Authorization, a list must be provided to Multiquip Parts Sales that defines item numbers, quantities, and descriptions of the items to be returned.
 - a. The parts numbers and descriptions must match the current parts price list.
 - b. The list must be typed or computer generated.
 - c. The list must state the reason(s) for the return.
 - d. The list must reference the sales order(s) or invoice(s) under which the items were originally purchased.
 - e. The list must include the name and phone number of the person requesting the RMA.
3. A copy of the Return Material Authorization must accompany the return shipment.
4. Freight is at the sender's expense. All parts must be returned freight prepaid to Multiquip's designated receiving point.

5. Parts must be in new and resalable condition, in the original Multiquip package (if any), and with Multiquip part numbers clearly marked.

6. The following items are not returnable:

- a. Obsolete parts. (If an item is in the price book and shows as being replaced by another item, it is obsolete.)
- b. Any parts with a limited shelf life (such as gaskets, seals, "O" rings, and other rubber parts) that were purchased more than six months prior to the return date.
- c. Any line item with an extended dealer net price of less than \$5.00.
- d. Special order items.
- e. Electrical components.
- f. Paint, chemicals, and lubricants.
- g. Decals and paper products.
- h. Items purchased in kits.

7. The sender will be notified of any material received that is not acceptable.

8. Such material will be held for five working days from notification, pending instructions. If a reply is not received within five days, the material will be returned to the sender at his expense.

9. Credit on returned parts will be issued at dealer net price at time of the original purchase, less a 15% restocking charge.

10. In cases where an item is accepted, for which the original purchase document can not be determined, the price will be based on the list price that was effective twelve months prior to the RMA date.

11. Credit issued will be applied to future purchases only.

PRICING AND REBATES

Prices are subject to change without prior notice. Price changes are effective on a specific date and all orders received on or after that date will be billed at the revised price. Rebates

for price declines and added charges for price increases will not be made for stock on hand at the time of any price change.

Multiquip reserves the right to quote and sell direct to Government agencies, and to Original Equipment Manufacturer accounts who use our products as integral parts of their own products.

SPECIAL EXPEDITING SERVICE

A \$35.00 surcharge will be added to the invoice for special handling including bus shipments, insured parcel post or in cases where Multiquip must personally deliver the parts to the carrier.

LIMITATIONS OF SELLER'S LIABILITY

Multiquip shall not be liable here under for damages in excess of the purchase price of the item with respect to which damages are claimed, and in no event shall Multiquip be liable for loss of profit or good will or for any other special, consequential or incidental damages.

LIMITATION OF WARRANTIES

No warranties, express or implied, are made in connection with the sale of parts or trade accessories nor as to any engine not manufactured by Multiquip. Such warranties made in connection with the sale of new, complete units are made exclusively by a statement of warranty packaged with such units, and Multiquip neither assumes nor authorizes any person to assume for it any other obligation or liability whatever in connection with the sale of its products. Apart from such written statement of warranty, there are no warranties, express, implied or statutory, which extend beyond the description of the products on the face hereof.

OPERATION AND PARTS MANUAL

HERE'S HOW TO GET HELP

PLEASE HAVE THE MODEL AND SERIAL
NUMBER *ON-HAND* WHEN CALLING

MQ POWER CORPORATE OFFICE

18910 Wilmington Ave. 800-421-1244
Carson, CA 90746 FAX: 310-632-2656
Email: mqpower@multiquip.com
Internet: www.mqpower.com

PARTS DEPARTMENT

800-427-1244 FAX: 800-672-7877
310-537-3700 FAX: 310-637-3284

SERVICE DEPARTMENT

800-835-2551 FAX: 310-638-8046
310-537-3700

TECHNICAL ASSISTANCE

800-835-2551 FAX: 310-638-8046

WARRANTY DEPARTMENT

800-835-2551, EXT. 279 FAX: 310-638-8046
310-537-3700, EXT. 279

Manufactured for Multiquip Inc.
by
DENYO CO., LTD, JAPAN

Your Local Dealer is:



MQ POWER

A Division of Multiquip Inc.

POST OFFICE BOX 6254

CARSON, CA 90749

310-537-3700 • 800-421-1244

FAX: 310-632-2656

E-mail: mqpower@multiquip.com

Internet: www.mqpower.com