

OPERATION AND PARTS MANUAL



MQ POWER



MODEL DCA125USI 60 HZ GENERATOR (ISUZU 4HK1X DIESEL ENGINE)

Revision #1 (03/25/11)

To find the latest revision of this
publication, visit our website at:
www.multiquip.com



THIS MANUAL MUST ACCOMPANY THE EQUIPMENT AT ALL TIMES.

 **WARNING** 

CALIFORNIA — Proposition 65 Warning

Diesel engine exhaust and some of its constituents are known to the State of California to cause cancer, birth defects and other reproductive harm.

If you believe that your vehicle has a defect that could cause a crash or could cause injury or death, you should immediately inform the National Highway Traffic Safety Administration (NHTSA) in addition to notifying Multiquip at 1-800-421-1244.

If NHTSA receives similar complaints, it may open an investigation, and if it finds that a safety defect exists in a group of vehicles, it may order a recall and remedy campaign. However, NHTSA cannot become involved in individual problems between you, your dealer, or Multiquip.

To contact NHTSA, you may either call the Vehicle Safety Hotline toll-free at 1-888-327-4236 (TTY: 1-800-424-9153), go to <http://www.nhtsa.dot.gov>; or write to:

Administrator
NHTSA
1200 New Jersey Avenue S.E.
Washington, DC 20590

You can also obtain information about motor vehicle safety from <http://www.safecar.gov>.

TABLE OF CONTENTS

DCA125USI 60 Hz Generator

Proposition 65 Warning	2
Reporting Safety Defects.....	3
Table Of Contents.....	4
Parts Ordering Procedures.....	5
Safety Information	6-11
Specifications	12
Dimensions.....	13
Installation	14
Installation	15
General Information.....	16
Major Components	17
Generator Control Panel.....	18
Engine Operating Panel.....	20-21
Output Terminal Panel Familiarization	22-24
Load Application	25
Generator Outputs.....	26
Generator Outputs/Gauge Reading.....	27
Output Terminal Panel Connections	28-29
Inspection/Setup.....	30-33
Generator Start-Up Procedure	34-35
Generator Shut-Down Procedures	36
Maintenance	37-40
Trailer Maintenance	41-44
Trailer Wiring Diagram	45
Generator Wiring Diagram.....	46
Engine Wiring Diagram.....	47
Controller Wiring Diagram	48
Troubleshooting (Generator).....	49
Troubleshooting (Diagnostic Lamp).....	50
Explanation Of Code In Remarks Column.....	52
Suggested Spare Parts	53

Component Drawings

Generator Assembly.....	54-55
Control Box Assembly	56-59
Engine and Radiator Assembly	60-65
Output Terminal Assembly.....	66-66
Battery Assembly.....	68-69
Muffler Assembly	70-71
Fuel Tank Assembly	72-73
Enclosure Part 1 Assembly	74-77
Enclosure Part 2 Assembly	78-81
Rubber Seals Assembly	82-83
Nameplate and Decals Assembly	84-87
Terms And Conditions Of Sale — Parts	88

PARTS ORDERING PROCEDURES

Ordering parts has never been easier! Choose from three easy options:

Effective:
January 1st, 2006

www.multiquip.com



Order via Internet (Dealers Only):

Order parts on-line using Multiquip's SmartEquip website!

- View Parts Diagrams
- Order Parts
- Print Specification Information



If you have an MQ Account, to obtain a Username and Password, E-mail us at: parts@multiquip.com.

To obtain an MQ Account, contact your District Sales Manager for more information.

Goto www.multiquip.com and click on **Order Parts** to log in and save!

Use the **internet** and qualify for a **5% Discount** on *Standard orders* for all orders which include complete part numbers.*

Note: Discounts Are Subject To Change



Order via Fax (Dealers Only):

All customers are welcome to order parts via Fax.

Domestic (US) Customers dial:
1-800-6-PARTS-7 (800-672-7877)

Fax your order in and qualify for a **2% Discount** on *Standard orders* for all orders which include complete part numbers.*

Note: Discounts Are Subject To Change



Order via Phone: Domestic (US) Dealers Call:
1-800-427-1244

Non-Dealer Customers:

Contact your local Multiquip Dealer for parts or call 800-427-1244 for help in locating a dealer near you.



International Customers should contact their local Multiquip Representatives for Parts Ordering information.

When ordering parts, please supply:

- | | |
|---|--|
| <input type="checkbox"/> Dealer Account Number | <input type="checkbox"/> Specify Preferred Method of Shipment: |
| <input type="checkbox"/> Dealer Name and Address | <input checked="" type="checkbox"/> UPS/Fed Ex <input checked="" type="checkbox"/> DHL |
| <input type="checkbox"/> Shipping Address (if different than billing address) | <input type="checkbox"/> Priority One <input checked="" type="checkbox"/> Truck |
| <input type="checkbox"/> Return Fax Number | <input type="checkbox"/> Ground |
| <input type="checkbox"/> Applicable Model Number | <input type="checkbox"/> Next Day |
| <input type="checkbox"/> Quantity, Part Number and Description of Each Part | <input type="checkbox"/> Second/Third Day |

NOTICE

All orders are treated as *Standard Orders* and will ship the same day if received prior to 3PM PST.

WE ACCEPT ALL MAJOR CREDIT CARDS!



SAFETY INFORMATION

Do not operate or service the equipment before reading the entire manual. Safety precautions should be followed at all times when operating this equipment. Failure to read and understand the safety messages and operating instructions could result in injury to yourself and others.

SAFETY MESSAGES

The four safety messages shown below will inform you about potential hazards that could injure you or others. The safety messages specifically address the level of exposure to the operator and are preceded by one of four words: **DANGER**, **WARNING**, **CAUTION** or **NOTICE**.

SAFETY SYMBOLS

! DANGER

Indicates a hazardous situation which, if not avoided, **WILL** result in **DEATH** or **SERIOUS INJURY**.

! WARNING

Indicates a hazardous situation which, if not avoided, **COULD** result in **DEATH** or **SERIOUS INJURY**.








! CAUTION

Indicates a hazardous situation which, if not avoided, **COULD** result in **MINOR** or **MODERATE INJURY**.

NOTICE

Addresses practices not related to personal injury.

Potential hazards associated with the operation of this equipment will be referenced with hazard symbols which may appear throughout this manual in conjunction with safety messages.

Symbol	Safety Hazard
	Lethal exhaust gas hazards
	Explosive fuel hazards
	Burn hazards
	Overspeed hazards
	Rotating parts hazards
	Pressurized fluid hazards
	Electric shock hazards

SAFETY INFORMATION

GENERAL SAFETY

CAUTION

- **NEVER** operate this equipment without proper protective clothing, shatterproof glasses, respiratory protection, hearing protection, steel-toed boots and other protective devices required by the job or city and state regulations.



- **NEVER** operate this equipment when not feeling well due to fatigue, illness or when under medication.
- **NEVER** operate this equipment under the influence of drugs or alcohol.



- **ALWAYS** check the equipment for loosened threads or bolts before starting.
- **DO NOT** use the equipment for any purpose other than its intended purposes or applications.

NOTICE

- This equipment should only be operated by trained and qualified personnel 18 years of age and older.
- Whenever necessary, replace nameplate, operation and safety decals when they become difficult read.
- Manufacturer does not assume responsibility for any accident due to equipment modifications. Unauthorized equipment modification will void all warranties.

- **NEVER** use accessories or attachments that are not recommended by MQ Power for this equipment. Damage to the equipment and/or injury to user may result.

- **ALWAYS** know the location of the nearest **fire extinguisher**.



- **ALWAYS** know the location of the nearest **first aid kit**.



- **ALWAYS** know the location of the nearest phone or **keep a phone on the job site**. Also, know the phone numbers of the nearest **ambulance, doctor and fire department**. This information will be invaluable in the case of an emergency.



GENERATOR SAFETY

DANGER

- **NEVER** operate the equipment in an explosive atmosphere or near combustible materials. An explosion or fire could result causing severe **bodily harm or even death**.



WARNING

- **NEVER** disconnect any **emergency or safety devices**. These devices are intended for operator safety. Disconnection of these devices can cause severe injury, bodily harm or even death. Disconnection of any of these devices will void all warranties.

CAUTION

- **NEVER** lubricate components or attempt service on a running machine.

NOTICE

- **ALWAYS** ensure generator is on level ground before use.
- **ALWAYS** keep the machine in proper running condition.
- Fix damage to machine and replace any broken parts immediately.
- **ALWAYS** store equipment properly when it is not being used. Equipment should be stored in a clean, dry location out of the reach of children and unauthorized personnel

SAFETY INFORMATION

ENGINE SAFETY

DANGER

- The engine fuel exhaust gases contain poisonous carbon monoxide. This gas is colorless and odorless, and can cause death if inhaled.
- The engine of this equipment requires an adequate free flow of cooling air. **NEVER** operate this equipment in any enclosed or narrow area where free flow of the air is restricted. If the air flow is restricted it will cause injury to people and property and serious damage to the equipment or engine.



WARNING

- **DO NOT** place hands or fingers inside engine compartment when engine is running.
- **NEVER** operate the engine with heat shields or guards removed.
- Keep fingers, hands hair and clothing away from all moving parts to prevent injury.
- **DO NOT** remove the radiator cap while the engine is hot. High pressure boiling water will gush out of the radiator and severely scald any persons in the general area of the generator.
- **DO NOT** remove the coolant drain plug while the engine is hot. Hot coolant will gush out of the coolant tank and severely scald any persons in the general area of the generator.



CAUTION

- **NEVER** touch the hot exhaust manifold, muffler or cylinder. Allow these parts to cool before servicing equipment.



NOTICE

- **NEVER** run engine without an air filter or with a dirty air filter. Severe engine damage may occur. Service air filter frequently to prevent engine malfunction.
- **NEVER** tamper with the factory settings of the engine or engine governor. Damage to the engine or equipment can result if operating in speed ranges above the maximum allowable.
- Wet stacking is a common problem with diesel engines which are operated for extended periods with light or no load applied. When a diesel engine operates without sufficient load (less than 40% of the rated output), it will not operate at its optimum temperature. This will allow unburned fuel to accumulate in the exhaust system, which can foul the fuel injectors, engine valves and exhaust system, including turbochargers, and reduce the operating performance.



In order for a diesel engine to operate at peak efficiency, it must be able to provide fuel and air in the proper ratio and at a high enough engine temperature for the engine to completely burn all of the fuel.

Wet stacking does not usually cause any permanent damage and can be alleviated if additional load is applied to relieve the condition. It can reduce the system performance and increase maintenance. Applying an increasing load over a period of time until the excess fuel is burned off and the system capacity is reached usually can repair the condition. This can take several hours to burn off the accumulated unburned fuel.

- State Health Safety Codes and Public Resources Codes specify that in certain locations, spark arresters must be used on internal combustion engines that use hydrocarbon fuels. A spark arrester is a device designed to prevent accidental discharge of sparks or flames from the engine exhaust. Spark arresters are qualified and rated by the United States Forest Service for this purpose. In order to comply with local laws regarding spark arresters, consult the engine distributor or the local Health and Safety Administrator.

SAFETY INFORMATION

FUEL SAFETY

DANGER

- **DO NOT** start the engine near spilled fuel or combustible fluids. Diesel fuel is extremely flammable and its vapors can cause an explosion if ignited.
- **ALWAYS** refuel in a well-ventilated area, away from sparks and open flames.
- **ALWAYS** use extreme caution when working with **flammable** liquids.
- **DO NOT** fill the fuel tank while the engine is running or hot.
- **DO NOT** overfill tank, since spilled fuel could ignite if it comes into contact with hot engine parts or sparks from the ignition system.
- Store fuel in appropriate containers, in well-ventilated areas and away from sparks and flames.
- **NEVER** use fuel as a cleaning agent.
- **DO NOT** smoke around or near the equipment. Fire or explosion could result from fuel vapors or if fuel is spilled on a hot engine.



TOWING SAFETY

CAUTION

- Check with your local county or state safety towing regulations, in addition to meeting **Department of Transportation (DOT) Safety Towing Regulations**, before towing your generator.
- Refer to MQ Power trailer manual for additional safety information.
- In order to reduce the possibility of an accident while transporting the generator on public roads, **ALWAYS** make sure the trailer that supports the generator and the towing vehicle are mechanically sound and in good operating condition.
- **ALWAYS** shutdown engine before transporting



- Make sure the hitch and coupling of the towing vehicle are rated equal to, or greater than the trailer “gross vehicle weight rating.”
- **ALWAYS** inspect the hitch and coupling for wear. **NEVER** tow a trailer with defective hitches, couplings, chains, etc.
- Check the tire air pressure on both towing vehicle and trailer. **Trailer tires should be inflated to 50 psi cold.** Also check the tire tread wear on both vehicles.
- **ALWAYS** make sure the trailer is equipped with a **safety chain**.
- **ALWAYS** properly attach trailer’s safety chains to towing vehicle.
- **ALWAYS** make sure the vehicle and trailer directional, backup, brake and trailer lights are connected and working properly.
- DOT Requirements include the following:
 - Connect and test electric brake operation.
 - Secure portable power cables in cable tray with tie wraps.
- The maximum speed for highway towing is **55 MPH** unless posted otherwise. Recommended off-road towing is not to exceed **15 MPH** or less depending on type of terrain.
- Avoid sudden stops and starts. This can cause skidding, or jack-knifing. Smooth, gradual starts and stops will improve towing.
- Avoid sharp turns to prevent rolling.
- Trailer should be adjusted to a level position at all times when towing.
- Raise and lock trailer wheel stand in up position when towing.
- Place **chock blocks** underneath wheel to prevent **rolling** while parked.
- Place **support blocks** underneath the trailer’s bumper to prevent **tipping** while parked.
- Use the trailer’s swivel jack to adjust the trailer height to a level position while parked.

SAFETY INFORMATION

ELECTRICAL SAFETY

DANGER

- **DO NOT** touch output terminals during operation. Contact with output terminals during operation can cause **electrocution, electrical shock or burn.**



- The electrical voltage required to operate the generator can cause severe injury or even death through physical contact with live circuits. Turn generator and all circuit breakers **OFF** before performing maintenance on the generator or making contact with output terminals.

- **NEVER** insert any objects into the output receptacles during operation. This is extremely dangerous. The possibility exists of **electrical shock, electrocution or death.**



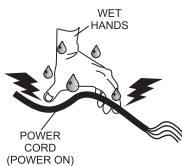
- Backfeed to a utility system can cause **electrocution** and/or property damage. **NEVER** connect the generator to a building's electrical system without a transfer switch or other approved device. All installations should be performed by a **licensed electrician** in accordance with all applicable laws and electrical codes. Failure to do so could result in electrical shock or burn, causing **serious injury or even death.**



Power Cord/Cable Safety

DANGER

- **NEVER** let power cords or cables **lay in water.**
- **NEVER stand in water** while AC power from the generator is being transferred to a load.
- **NEVER** use **damaged** or **worn** cables or cords when connecting equipment to generator. Inspect for cuts in the insulation.
- **NEVER** grab or touch a live power cord or cable with wet hands. The possibility exists of **electrical shock, electrocution or death.**



- Make sure power cables are securely connected to the generator's output receptacles. Incorrect connections may cause electrical shock and damage to the generator.

NOTICE

- **ALWAYS** make certain that proper power or extension cord has been selected for the job. See Cable Selection Chart in this manual.

Grounding Safety

DANGER

- **ALWAYS** make sure that electrical circuits are properly grounded to a suitable earth ground (ground rod) per the National Electrical Code (NEC) and local codes before operating generator. **Severe injury or death by electrocution** can result from operating an ungrounded generator.
- **NEVER** use gas piping as an electrical ground.

BATTERY SAFETY

DANGER

- **DO NOT** drop the battery. There is a possibility that the battery will explode.
- **DO NOT** expose the battery to open flames, sparks, cigarettes, etc. The battery contains combustible gases and liquids. If these gases and liquids come into contact with a flame or spark, an explosion could occur.



WARNING

- **ALWAYS** wear safety glasses when handling the battery to avoid eye irritation. The battery contains acids that can cause injury to the eyes and skin.
- Use well-insulated gloves when picking up the battery.
- **ALWAYS** keep the battery charged. If the battery is not charged, combustible gas will build up.
- **ALWAYS** recharge the battery in a well-ventilated environment to avoid the risk of a dangerous concentration of combustible gasses.
- If the battery liquid (dilute sulfuric acid) comes into contact with **clothing or skin**, rinse skin or clothing immediately with plenty of water.
- If the battery liquid (dilute sulfuric acid) comes into contact with **eyes**, rinse eyes immediately with plenty of water and contact the nearest doctor or hospital to seek medical attention.



CAUTION

- **ALWAYS** disconnect the **NEGATIVE** battery terminal before performing service on the generator.
- **ALWAYS** keep battery cables in good working condition. Repair or replace all worn cables.

ENVIRONMENTAL SAFETY

NOTICE

- Dispose of hazardous waste properly. Examples of potentially hazardous waste are used motor oil, fuel and fuel filters.
- **DO NOT** use food or plastic containers to dispose of hazardous waste.
- **DO NOT** pour waste, oil or fuel directly onto the ground, down a drain or into any water source.



Table 1. Generator Specifications		
Model	DCA125USI	
Type	Revolving field, self ventilated, open protected type synchronous generator	
Armature Connection	Star with Neutral	Zigzag
Phase	3	1
Standby Output	110 kW (137.5 kVA)	79 kW
Prime Output	100 kW (100 kVA)	72 kW
3Ø Voltage (L-L/L-N) Voltage Selector Switch at 3Ø 240/139	208Y/120, 220Y/127, 240Y/139	N/A
3Ø Voltage (L-L/L-N) Voltage Selector Switch at 3Ø 480/277	416Y/240, 440Y/254, 480Y/277	N/A
1Ø Voltage (L-L/L-N) Voltage Selector Switch at 1Ø 240/120	N/A	240/120
Power Factor	0.8	1.0
Frequency	60 Hz	
Speed	1800 rpm	
Aux. AC Power	Single Phase, 60 Hz	
Aux. Voltage/Output	120V/4.8 Kw (2.4 kW x 2)	
Sound Level dB (A) Full Load at 23 ft. (7.0 Meters)	65	
Dry Weight	5,689 lbs. (2,580 kg)	
Wet Weight	7,012 lbs. (3,180 kg)	

Table 2. Engine Specifications		
Model	ISUZU 4HK1XYGD-03 Tier 3	
Type	4 cycle, water-cooled, direct injection, turbocharged, air to air intercooled	
No. of Cylinders	4 cylinders	
Bore x Stroke	4.53 in. x 4.92 in. (115 mm x 125 mm)	
Displacement	317 cu. in. (5193 cc)	
Rated Output	152 HP/1800 RPM	
Starting	Electric	
Coolant Capacity	5.2 gal. (19.7 liters)	
Lube Oil Capacity	6.1 gal. (23.4 liters)	
Fuel Type	#2 Diesel Fuel	
Fuel Leak Warning Capacity	42.3gal. (160 liters)	
Fuel Tank Capacity	169 gal. (640 liters)	
Fuel Consumption	7.3 gal. (27.6 L)/hr at full load	5.7 gal. (21.7 L)/hr at 3/4 load
	4.0 gal. (15.1 L)/hr at 1/2 load	2.4 gal. (9.1 L)/hr at 1/4 load
Battery	12V-128 Ah x 1	

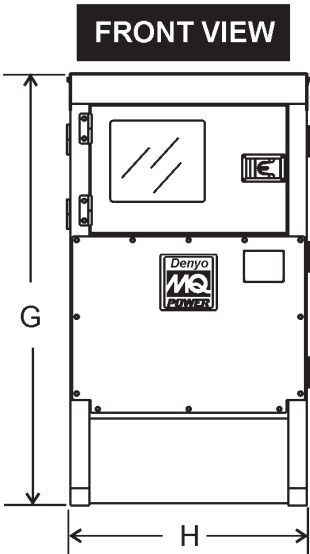
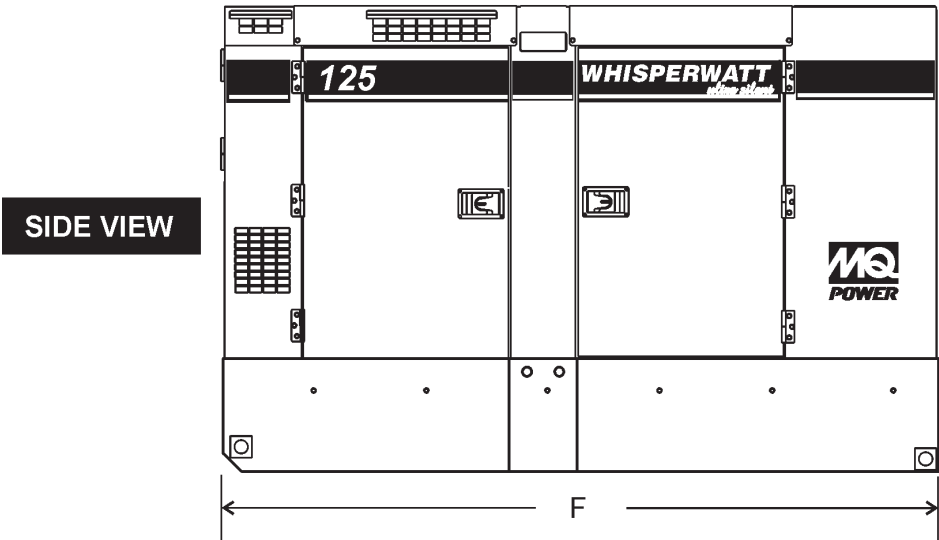
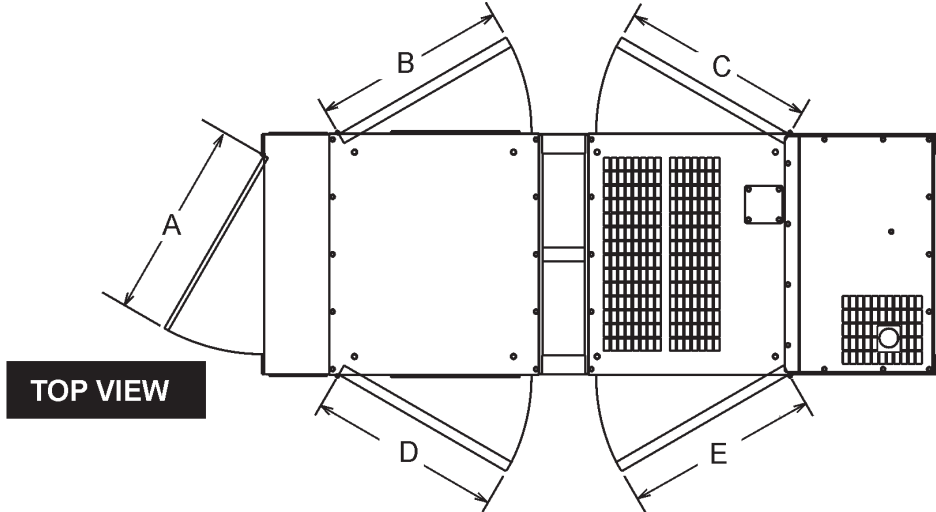


Figure 1. Dimensions

Table 3. Dimensions			
Reference Letter	Dimension in. (mm)	Reference Letter	Dimension in. (mm)
A	38.20 in. (970 mm.)	F	120.10 in. (3,050 mm.)
B	37.00 in. (940 mm.)	G	73.00 in. (1,855 mm.)
C	36.20 in. (920 mm.)	H	48.80 in. (1,200 mm.)
D	37.00 in. (940 mm.)		
E	36.20 in. (920 mm.)		

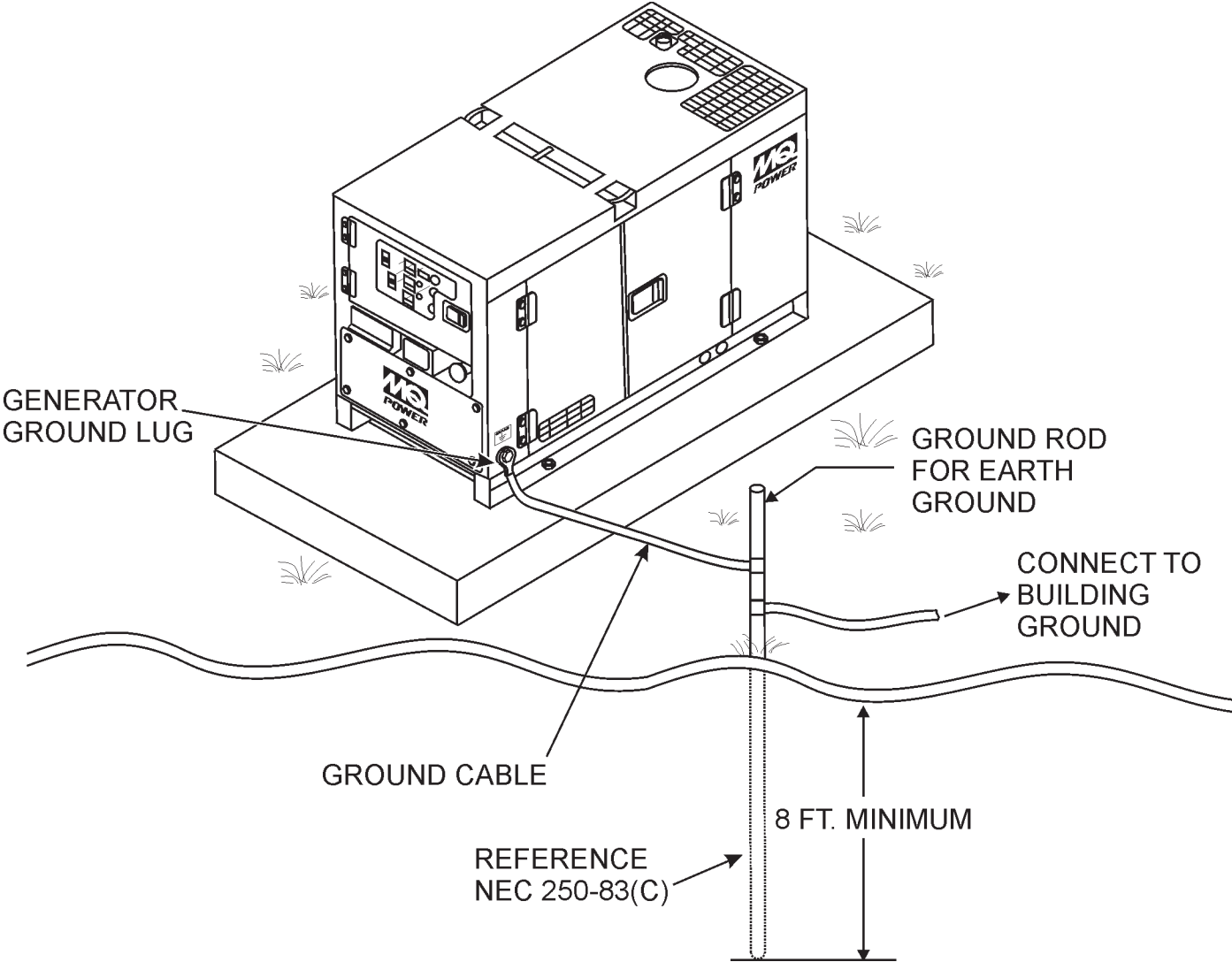


Figure 2. Typical Generator Grounding Application

OUTDOOR INSTALLATION

Install the generator in a area that is free of debris, bystanders, and overhead obstructions. Make sure the generator is on secure level ground so that it cannot slide or shift around. Also install the generator in a manner so that the exhaust will not be discharged in the direction of nearby homes.

The installation site must be relatively free from moisture and dust. All electrical equipment should be protected from excessive moisture. Failure to do will result in deterioration of the insulation and will result in short circuits and grounding.

Foreign materials such as dust, sand, lint and abrasive materials have a tendency to cause excessive wear to engine and alternator parts.

CAUTION

Pay close attention to ventilation when operating the generator inside tunnels and caves. The engine exhaust contains noxious elements. Engine exhaust must be routed to a ventilated area.

INDOOR INSTALLATION

Exhaust gases from diesel engines are extremely poisonous. Whenever an engine is installed indoors the exhaust fumes must be vented to the outside. The engine should be installed at least two feet from any outside wall. Using an exhaust pipe which is too long or too small can cause excessive back pressure which will cause the engine to heat excessively and possibly burn the valves.

MOUNTING

The generator must be mounted on a solid foundation (such as concrete) and set firmly on the foundation to isolate vibration of the generator when it is running. The generator must set at least 6 inches above the floor or grade level (in accordance to NFPA 110, Chapter 5-4.1). **DO NOT** remove the metal skids on the bottom of the generator. They are to resist damage to the bottom of the generator and to maintain alignment.

GENERATOR GROUNDING

To guard against electrical shock and possible damage to the equipment, it is important to provide a good **EARTH** ground.

Article 250 (Grounding) of the National Electrical Code (NEC) provides guide lines for proper grounding and specifies that the cable ground shall be connected to the grounding system of the building as close to the point of cable entry as practical.

NEC articles 250-64(b) and 250-66 set the following grounding requirements:

1. Use one of the following wire types to connect the generator to earth ground.
 - a. Copper - 10 AWG (5.3 mm²)
 - b. Aluminum - 8 AWG (8.4 mm²)
2. When grounding the generator (Figure 2) connect the ground cable between the lock washer and the nut on the generator and tighten the nut fully. Connect the other end of the ground cable to earth ground.
3. NEC article 250-52(c) specifies that the earth ground rod should be buried a minimum of 8 ft. into the ground.

NOTICE

When connecting the generator to any buildings electrical system **ALWAYS** consult with a licensed electrician.

GENERATOR

This MQ Power Model generator (Figure 3) is a high quality portable (requires a trailer for transport) power source for telecom sites, lighting facilities, power tools, submersible pumps and other industrial and construction machinery.

ENGINE OPERATING PANEL

The “Engine Operating Panel” is provided with the following:

- Tachometer
- Water Temperature Gauge
- Warning Lamp
- Pre-Heat Lamp
- Oil Pressure Gauge
- Charging Ammeter Gauge
- Fuel Level Gauge
- Fuel Leak Detection Lamp
- Panel Light/Panel Light Switch
- ECU Controller
- Engine Speed Switch
- Warning Lamp (Diagnostic Lamp)

GENERATOR CONTROL PANEL

The “Generator Control Panel” is provided with the following:

- Frequency Meter (Hz)
- AC Ammeter (Amps)
- AC Voltmeter (Volts)
- Ammeter Change-Over Switch
- Voltmeter Change-Over Switch
- Voltage Regulator
- 3-Pole, 350 amp Main Circuit Breaker
- “Control Box” (located behind the Gen. Control Panel)
 - Automatic Voltage Regulator
 - Current Transformer
 - Over-Current Relay
 - Starter Relay
 - Voltage Selector Switch
 - Diagnostic Switch

OUTPUT TERMINAL PANEL

The “Output Terminal Panel” is provided with the following:

- Three 120/240V output receptacles (CS-6369), 50A
- Three auxiliary circuit breakers, 50A
- Two 120V output receptacles (GFCI), 20A
- Two GFCI circuit breakers, 20A
- Five output terminal lugs (3Ø power)
- Battery Charger (Optional)
- Jacket Water Heater (Optional)
- Low Coolant Level Switch

OPEN DELTA EXCITATION SYSTEM

This generator is equipped with the state of the art “**Open-Delta**” excitation system. The open delta system consist of an electrically independent winding wound among stationary windings of the AC output section.

There are four connections of the open delta A, B, C and D. During steady state loads, the power from the voltage regulator is supplied from the parallel connections of A to B, A to D, and C to D. These three phases of the voltage input to the voltage regulator are then rectified and are the excitation current for the exciter section.

When a heavy load, such as a motor starting or a short circuit occurs, the automatic voltage regulator (AVR) switches the configuration of the open delta to the series connection of B to C. This has the effect of adding the voltages of each phase to provide higher excitation to the exciter section and thus better voltage response during the application of heavy loads.

The connections of the AVR to the AC output windings are for sensing only. No power is required from these windings. The open-delta design provides virtually unlimited excitation current, offering maximum motor starting capabilities. The excitation does not have a “**fixed ceiling**” and responds according the demands of the required load.

ENGINE

The DCA125USI is powered by a 4 cylinder, water cooled, direct injection, turbocharged ISUZU 4HK1X diesel engine. This engine is designed to meet every performance requirement for the generator. Reference Table 2 for engine specifications.

In keeping with MQ Power’s policy of constantly improving its products, the specifications quoted herein are subject to change without prior notice.

ELECTRIC GOVERNOR SYSTEM

The electric governor system controls the RPMs of the engine. When the engine demand increases or decreases, the governor system regulates the frequency variation to $\pm 0.25\%$.

EXTENSION CABLES

When electric power is to be provided to various tools or loads at some distance from the generator, extension cords are normally used. Cables should be sized to allow for distance in length and amperage so that the voltage drop between the generator and point of use (load) is held to a minimum. Use the cable selection chart (Table 6) as a guide for selecting proper extension cable size.

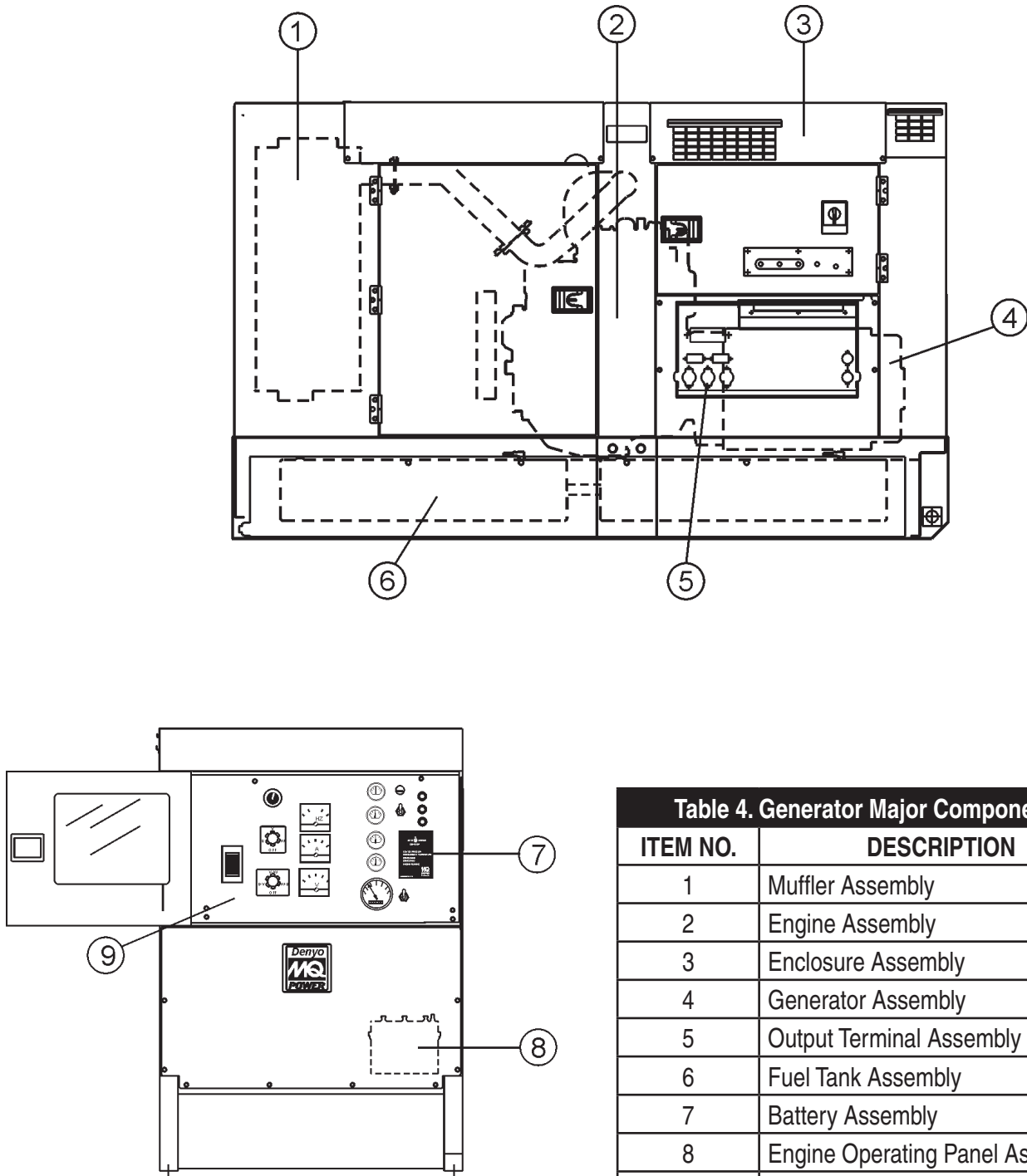


Figure 3. Major Components

Table 4. Generator Major Components	
ITEM NO.	DESCRIPTION
1	Muffler Assembly
2	Engine Assembly
3	Enclosure Assembly
4	Generator Assembly
5	Output Terminal Assembly
6	Fuel Tank Assembly
7	Battery Assembly
8	Engine Operating Panel Assembly
9	Generator Control Panel Assembly

GENERATOR CONTROL PANEL

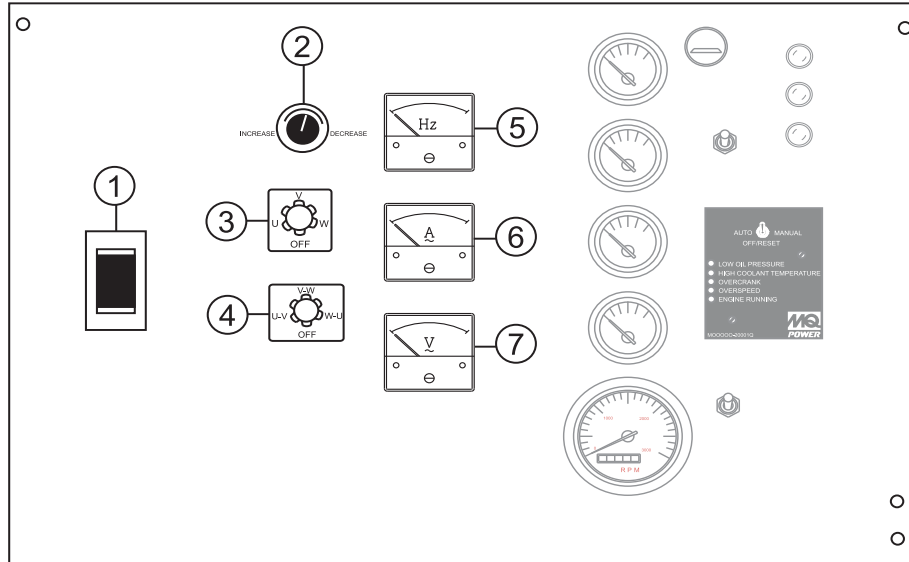


Figure 4. Generator Control Panel

The definitions below describe the controls and functions of the Generator Control Panel (Figure 4).

1. **Main Circuit Breaker**—This three-pole, 350A main breaker is provided to protect the the U,V, and W Output Terminal Lugs from overload.
2. **Voltage Regulator Control** — Allows $\pm 15\%$ manual adjustment of the generator's output voltage.
3. **Ammeter Change-Over Switch** — This switch allows the AC ammeter to indicate the current flowing to the load connected to any phase of the output terminals, or to be switched off. This switch does not effect the generator output in any fashion, it is for current reading only.
4. **Voltmeter Change-Over Switch** — This switch allows the AC voltmeter to indicate phase to phase voltage between any two phases of the output terminals or to be switched off.
5. **Frequency Meter** — Indicates the output frequency in hertz (Hz). Normally 60 Hz.
6. **AC Ammeter** — Indicates the amount of current the load is drawing from the generator per leg selected by the ammeter phase-selector switch.
7. **AC Voltmeter** — Indicates the output voltage present at the U,V, and W Output Terminal Lugs.

Located behind the generator control panel is the Generator Control Box. This box contains some of the necessary electronic components required to make the generator function.

The Control Box is equipped with the following major components:

- Over-Current Relay
- Automatic Voltage Regulator (AVR)
- Starter Relay
- Current Transformer
- Voltage Selector Switch
- Main Circuit Breaker

NOTICE

Remember the **overcurrent relay** monitors the current flowing from the **U,V, and W Output Terminal Lugs** to the load.

In the event of a short circuit or over current condition, it will automatically trip the 350 amp main breaker.

To restore power to the **Output Terminal Panel**, press the reset button on the overcurrent relay and place the **main circuit breaker** in the **closed** position (**ON**).

ENGINE OPERATING PANEL

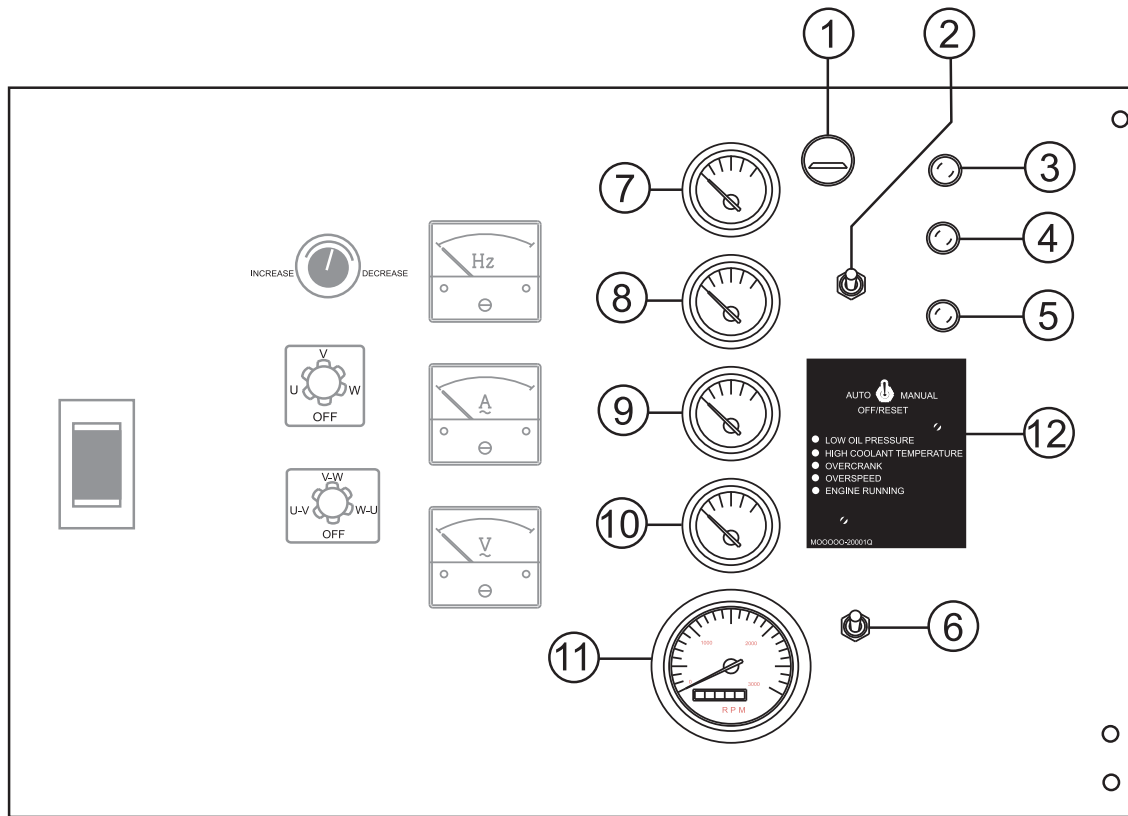


Figure 5. Engine Operating Panel

ENGINE OPERATING PANEL

The definitions below describe the controls and functions of the Engine Operating Panel (Figure 5).

1. **Panel Light** — Normally used in dark areas or at night time. When activated, panel lights will illuminate. When the generator is not in use be sure to turn the panel light switch to the OFF position.
2. **Panel Light Switch** — When activated will turn on control panel light.
3. **Preheat Lamp** — As the engine cranks, this lamp will illuminate to indicate automatic preheating of the engine glow plugs. When the lamp turns off, this indicates that the preheat cycle is complete and the engine will start automatically.
4. **Warning Lamp (Diagnostic Lamp)** — When lit indicates that a failure has occurred in the engine control system.
5. **Fuel Leak Detection Lamp** — This lamp will illuminate when a leak in the fuel tank containment enclosure is detected.
6. **Engine Speed Switch** — This switch controls the speed of the engine (low/high).
7. **Oil Pressure Gauge** — During normal operation this gauge should read between 42 ~71 psi. (290~490 kPa). When starting the generator the oil pressure may read a little higher, but after the engine warms up the oil pressure should return to the correct pressure range.
8. **Water Temperature Gauge** — During normal operation this gauge should read between 167°~203°F (75°~95°C)
9. **Charging Ammeter Gauge** — Indicates the current being supplied by the engine's alternator which provides current for generator's control circuits and battery charging system.
10. **Fuel Gauge** — Indicates amount of diesel fuel available.
11. **Tachometer** — Indicates engine speed in RPM's for 60 Hz operation. This meter should indicate 1800 RPM's when the rated load is applied. In addition a built in hour meter will record the number of operational hours that the generator has been in use.
12. **Auto START/STOP Engine Controller (ECU)** — This controller has a vertical row of status LED's (inset), that when lit, indicate that an engine malfunction (fault) has been detected. When a fault has been detected the engine controller will evaluate the fault



and all major faults will shutdown the generator. During cranking cycle, the ECU will attempt to crank the engine for 10 seconds before disengaging.

If the engine does not engage (start) by the third attempt, the engine will be shutdown by the engine controller's Over Crank Protection mode. If the engine engages at a speed (RPM's) that is not safe, the controller will shutdown the engine by initializing the Over Speed Protection mode.

Also the engine controller will shut down the engine in the event of low oil pressure, high coolant temperature, low coolant level, and loss of magnetic pickup. These conditions can be observed by monitoring the LED status indicators on the front of the controller module.

- A. **MPEC Control Switch** — This switch controls the running of the unit. If this switch is set to the OFF/RESET position, the unit will not run. When this switch is set to the manual position, the generator will start immediately.

If the generator is to be connected to a building's AC power source via an automatic transfer switch (isolation), place the switch in the AUTO position. In this position, should an outage occur, the automatic transfer switch (ATS) will start the generator automatically via the generator's auto-start contacts connected to the ATS's start contacts. Please refer to your ATS installation manual for further instructions for the correct installation of the auto-start contacts of the generator to the ATS.

- B. **Low Oil Pressure** — Indicates the engine pressure has fallen below 15 psi (103 kPa). The oil pressure is detected using variable resistive values from the oil pressure sending unit. This is considered a major fault.
- C. **High Coolant Temperature** — Indicates the engine temperature has exceeded 230°F (110°C). The engine temperature is detected using variable resistive values from the temperature sending unit. This is considered a major fault.
- D. **Overcrank Shutdown** — Indicates the unit has attempted to start a pre-programmed number of times, and has failed to start. The number of cycles and duration are programmable. It is pre-set at 3 cycles with a 10 second duration. This is considered a major fault.
- E. **Overspeed Shutdown** — Indicates the engine is running at an unsafe speed. This is considered a major fault.
- F. **Engine Running** — Indicates that engine is running at a safe operating speed.

OUTPUT TERMINAL PANEL FAMILIARIZATION

OUTPUT TERMINAL PANEL

The Output Terminal Panel (Figure 6) shown below is located on the right-hand side (left from control panel) of the generator. Lift up on the cover to gain access to receptacles and terminal lugs.

NOTICE

Terminal legs "O" and "Ground" are considered bonded grounds.

OUTPUT TERMINAL FAMILIARIZATION

The "Output Terminal Panel" (Figure 6) is provided with the following:

- Three 120/240V output receptacles @ 50 amp
- Three Circuit Breakers @ 50 amps
- Two 120V GFCI receptacles @ 20 amp
- Two GFCI Circuit Breakers @ 20 amps
- Five Output Terminal Lugs (U, V, W, O, Ground)

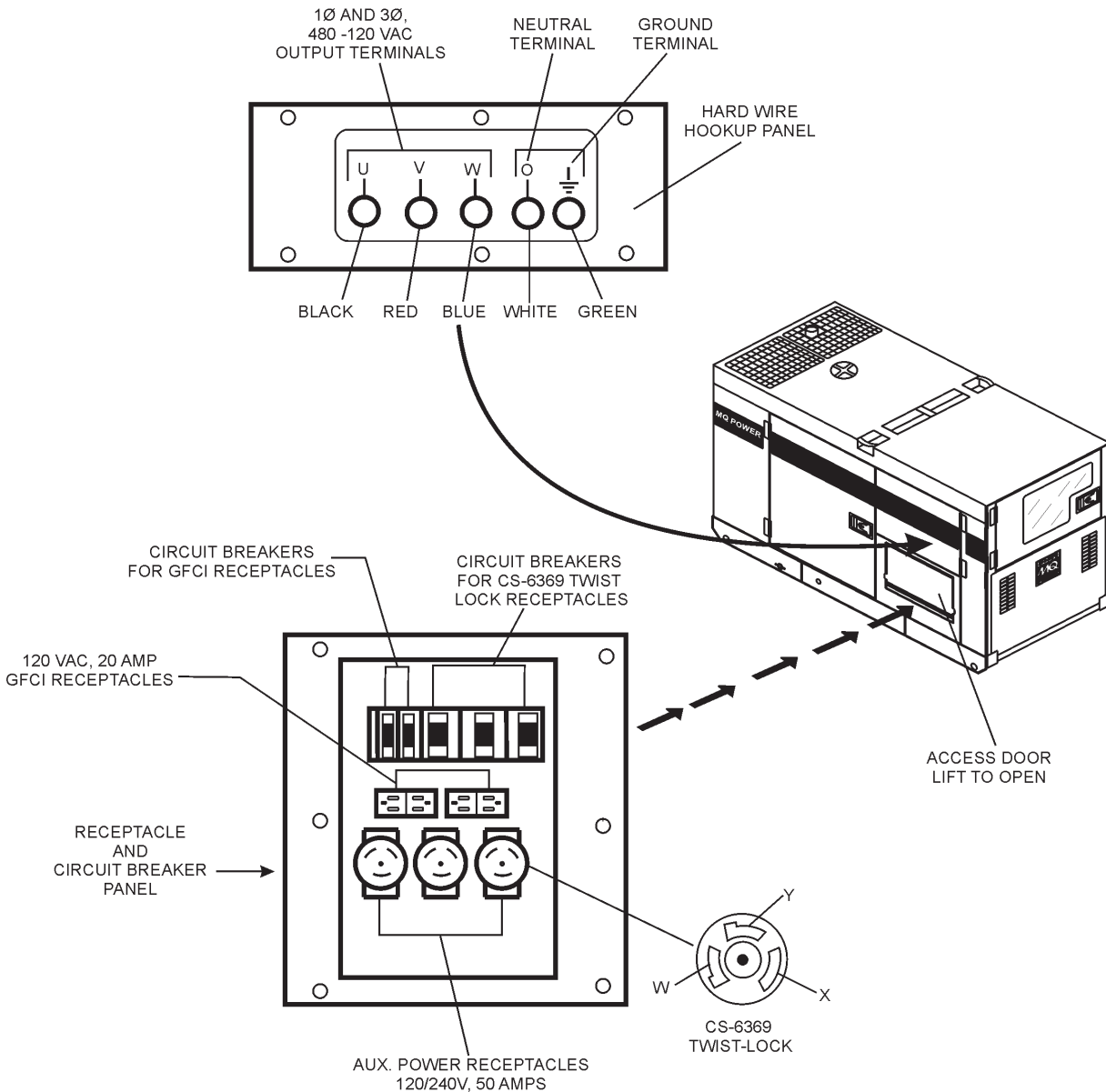


Figure 6. Output Terminal Panel

OUTPUT TERMINAL PANEL FAMILIARIZATION

120 VAC GFCI Receptacles

There are two 120 VAC, 20 amp GFCI (Duplex Nema 5-20R) receptacles provided on the output terminal panel. These receptacles can be accessed in **any voltage selector switch** position. Each receptacle is protected by a 20 amp circuit breaker. These breakers are located directly above the GFCI receptacles. Remember the load output (current) of both GFCI receptacles is dependent on the load requirements of the U, V, and W output terminal lugs.

Pressing the **reset** button resets the GFCI receptacle after being tripped. Pressing the **test button** (Figure 7) in the center of the receptacle will check the GFCI function. Both receptacles should be tested at least once a month.

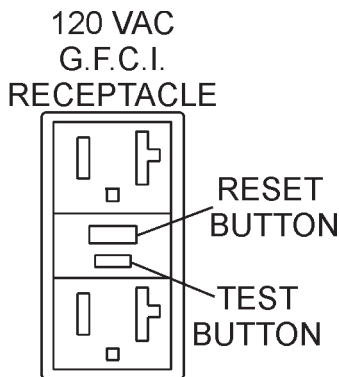


Figure 7. G.F.C.I. Receptacle

Twist Lock Dual Voltage 120/240 VAC Receptacles

There are three 120/240V, 50 amp auxiliary twist-lock (CS-6369) receptacles (Figure 8) provided on the output terminal panel. These receptacles can **only** be accessed when the voltage selector switch is placed in the **single-phase 240/120 position**.

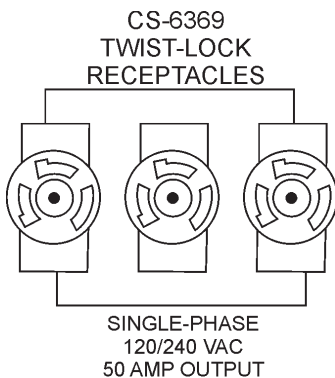


Figure 8. 120/240V Twist-Lock Auxiliary Receptacles

Each auxiliary receptacle is protected by a 50 amp circuit breaker. These breakers are located directly above the GFCI receptacles. Remember the load output (current) on all three receptacles is dependent on the load requirements of the **output terminal lugs**.

Turn the **voltage regulator control knob** (Figure 9) on the control panel to obtain the desired voltage. Turning the knob clockwise will **increase** the voltage, turning the knob counter-clockwise will **decrease** the voltage.



Figure 9. Voltage Regulator Control Knob

Removing the Plastic Face Plate (Hard Wire Hookup Panel)

The **output terminal lugs** are protected by a plastic face plate cover (Figure 10). Un-screw the securing bolts and lift the plastic terminal cover to gain access to the terminal enclosure.

After the load wires have been securely attached to the terminal lugs, reinstall the plastic face plate.

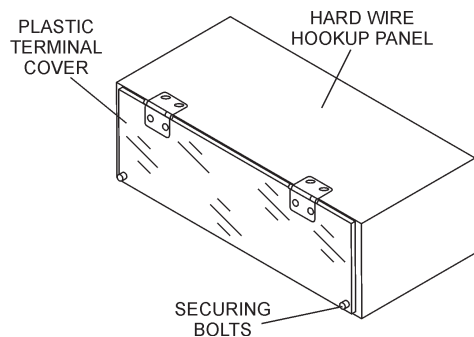


Figure 10. Plastic Face Plate (Output Terminal Lugs)

OUTPUT TERMINAL PANEL FAMILIARIZATION

Connecting Loads

Loads can be connected to the generator by the **output terminal lugs** or the convenience receptacles (Figure 11). Make sure to read the operation manual before attempting to connect a load to the generator.

To protect the output terminals from overload, a 3-pole, 350 amp **main** circuit breaker is provided. Make sure to switch **ALL** circuit breakers to the **OFF** position prior to starting the engine.

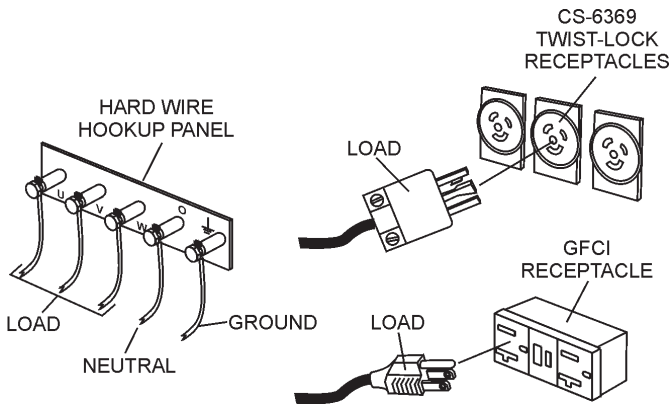


Figure 11. Connecting Loads

Over Current Relay

An **over current relay** (Figure 12) is connected to the main circuit breaker. In the event of an overload, both the circuit breaker and the over current relay may trip. If the circuit breaker can not be reset, the **reset button** on the over current relay must be pressed. The over current relay is located in the control box.

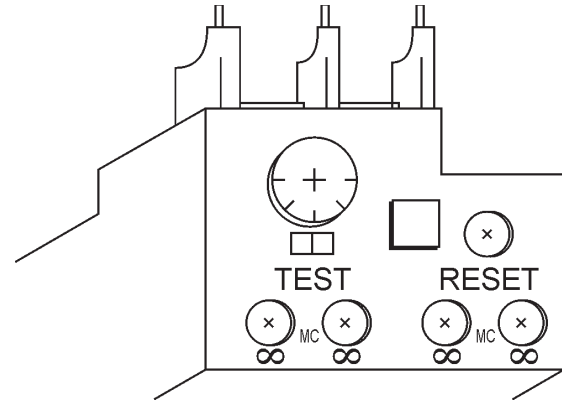


Figure 12. Over Current Relay

SINGLE PHASE LOAD

Always be sure to check the nameplate on the generator and equipment to insure the wattage, amperage, frequency, and voltage requirements are satisfactorily supplied by the generator for operating the equipment.

Generally, the wattage listed on the nameplate of the equipment is its rated output. Equipment may require 130—150% more wattage than the rating on the nameplate, as the wattage is influenced by the efficiency, power factor and starting system of the equipment.

NOTICE

If wattage is not given on the equipment's name plate, approximate wattage may be determined by multiplying nameplate voltage by the nameplate amperage.

$$\text{WATTS} = \text{VOLTAGE} \times \text{AMPERAGE}$$

The power factor of this generator is 0.8. See Table 5 below when connecting loads.

Table 5. Power Factor By Load

Type of Load	Power Factor
Single-phase induction motors	0.4-0.75
Electric heaters, incandescent lamps	1.0
Fluorescent lamps, mercury lamps	0.4-0.9
Electronic devices, communication equipment	1.0
Common power tools	0.8

Table 6. Cable Selection (60 Hz, Single Phase Operation)

Current in Amperes	Load in Watts		Maximum Allowable Cable Length			
	At 100 Volts	At 200 Volts	#10 Wire	#12 Wire	#14 Wire	#16 Wire
2.5	300	600	1000 ft.	600 ft.	375 ft.	250 ft.
5	600	1200	500 ft.	300 ft.	200 ft.	125 ft.
7.5	900	1800	350 ft.	200 ft.	125 ft.	100 ft.
10	1200	2400	250 ft.	150 ft.	100 ft.	
15	1800	3600	150 ft.	100 ft.	65 ft.	
20	2400	4800	125 ft.	75 ft.	50 ft.	

CAUTION: Equipment damage can result from low voltage

THREE PHASE LOAD

When calculating the power requirements for 3-phase power use the following equation:

$$\text{KVA} = \frac{\text{VOLTAGE} \times \text{AMPERAGE} \times 1.732}{1000}$$

NOTICE

If 3Ø load (kVA) is not given on the equipment nameplate, approximate 3Ø load may be determined by multiplying voltage by amperage by 1.732.

NOTICE

Motors and motor-driven equipment draw much greater current for starting than during operation.

An inadequate size connecting cable which cannot carry the required load can cause a voltage drop which can burn out the appliance or tool and overheat the cable. See Table 6.

- When connecting a resistance load such as an incandescent lamp or electric heater, a capacity of up to the generating set's rated output (kW) can be used.
- When connecting a fluorescent or mercury lamp, a capacity of up to the generating set's rated output (kW) multiplied by 0.6 can be used.
- When connecting an electric drill or other power tools, pay close attention to the required starting current capacity.

When connecting ordinary power tools, a capacity of up to the generating set's rated output (kW) multiplied by 0.8 can be used.

DANGER

Before connecting this generator to any building's electrical system, a **licensed electrician** must install an **isolation (transfer) switch**. Serious damage to the building's electrical system may occur without this transfer switch.

GENERATOR OUTPUTS

GENERATOR OUTPUT VOLTAGES

A wide range of voltages are available to supply voltage for many different applications. Voltages are selected by using the **voltage selector** switch (Figure 13). To obtain some of the voltages as listed in Table 7 (see below) will require a fine adjustment using the **voltage regulator (VR) control knob** located on the control panel.

Voltage Selector Switch

The voltage selector switch (Figure 13) is located above the output terminal panel's Hard Wire Hook-up Panel. It has been provided for ease of voltage selection.

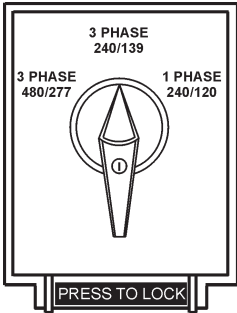


Figure 13. Voltage Selector Switch

Voltage Selector Switch Locking Button

To lock the voltage selector switch, **press and hold the red button** located at the bottom of the switch. While holding the red button down, insert a pad lock into the hole next to the button to retain it in the inward locked position. When the lock is removed, the red button is spring loaded and will return to its normal outward unlocked position.

CAUTION

NEVER change the position of the **voltage selector switch** while the engine is running. **ALWAYS** place circuit breaker in the **OFF** position before selecting voltage.

Table 7. Voltages Available						
UVWO Output Terminal Lugs	Voltage Selector Switch 3-Phase 240/139V Position			Voltage Selector Switch 3-Phase 480/270V Position		
	3Ø Line-Line	208V	220V	240V	416V	440V
1Ø Line-Neutral	120V	127V	139V	240V	254V	277V
Voltage Selector Switch Single-Phase 240/120V Position						
1Ø Line-Neutral/Line-Line	120V Line-Neutral	N/A	N/A	240V Line-Line	N/A	N/A

Generator Amperage

Table 8 shows the **maximum** amps the generator can provide. **DO NOT** exceed the maximum amps as listed..

Table 8. Generator Maximum Amps	
Rated Voltage	Maximum Amps
1Ø 120 Volt	277.8 amps (4 wire) 301A x 2 (Zigzag)
1Ø 240 Volt	138.9 amps (4 wire) 301A (Zigzag)
3Ø 240 Volt	301 amps
3Ø 480 Volt	150 amps

GFCI Receptacle Load Capability

The load capability of the GFCI receptacles is directly related to the voltage being supplied at either the output terminals or the 2 twist lock auxiliary receptacles.

Table 9 and Table 10 show what amount of current is available at the GFCI receptacles when the output terminals and twist lock receptacles are in use. Be careful that your load does not to exceed the available current capability at the receptacles.

Table 9. 1Ø GFCI Receptacle Load Capacity	
KW in Use Twist Lock (C6369)	Available Load Current (Amps)
1Ø 240/120V	GFCI Duplex 5-20R 120V
72.0	0 amps/receptacle
70.8	5 amps/receptacle
69.6	10 amps/receptacle
68.4	15 amps/receptacle
67.2	20 amps/receptacle

Table 10. 3Ø GFCI Receptacle Load Capacity	
KVA in Use (UVWO Terminals)	Available Load Current (Amps)
3Ø 240/480V	GFCI Duplex 5-20R 120V
125	0 amps/receptacle
121	5 amps/receptacle
117	10 amps/receptacle
113	15 amps/receptacle
108	20 amps/receptacle

GENERATOR OUTPUTS/GAUGE READING

HOW TO READ THE AC AMMETER AND AC VOLTAGE GAUGES

The AC ammeter and AC voltmeter gauges are controlled by the AC ammeter and AC voltmeter change-over switches.

Both of these switches are located on the control panel and **DO NOT** effect the generator output. They are provided to help observe how much power is being supplied, produced at the UVWO terminals lugs.

Before taking a reading from either gauge, set the **Voltage Selector Switch** (Figure 14) to the position which produces the required voltage (For example, for 3Ø 240V, choose the center 3Ø 240/139V position on the voltage selector switch)

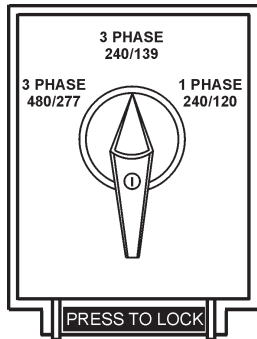


Figure 14. Voltage Selector Switch
240/139V 3Ø Positio

NOTICE

For 3Ø 208V/1Ø,120V, place the Voltage Selector Switch in the 3 Phase 240/139 position.

AC Voltmeter Gauge Reading

Place the **AC Voltmeter Change-Over Switch** (Figure 15) in the W-U position and observe the phase to phase voltage reading between the W and U terminals as indicated on the **AC Voltmeter Gauge** (Figure 16)

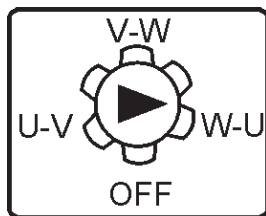


Figure 15. AC Voltmeter
Change-Over Switch

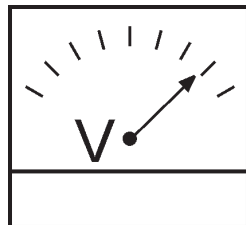


Figure 16. AC Voltmeter
Gauge

AC Ammeter Gauge Reading

Place the **AC Ammeter Change-Over Switch** (Figure 17) in the U position and observe the current reading (load drain) on the U terminal as indicated on the **AC Ammeter Gauge** (Figure 18). This process can be repeated for terminals V and W.

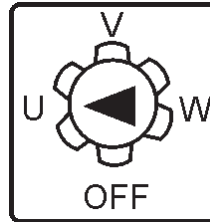


Figure 17. AC Ammeter
Change-Over Switch

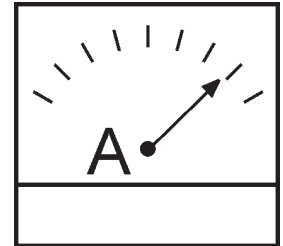


Figure 18. AC Ammeter
(Amp Reading on U Lug)

NOTICE

The **ammeter** gauge will only show a reading when the **Output Terminal Lugs** are connected to a load and in use.

OUTPUT TERMINAL PANEL CONNECTIONS

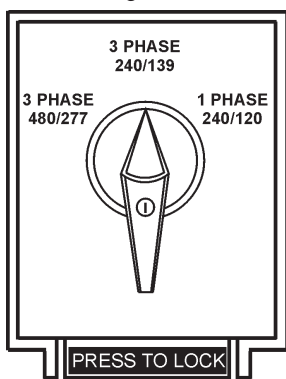
UVWO TERMINAL OUTPUT VOLTAGES

Various output voltages can be obtained using the UVWO output terminal lugs. The voltages at the terminals are dependent on the position of the **Voltage Selector Switch** and the adjustment of the **Voltage Regulator Control Knob**.

Remember the voltage selector switch determines the **range** of the output voltage. The voltage regulator (VR) allows the user to increase or decrease the selected voltage.

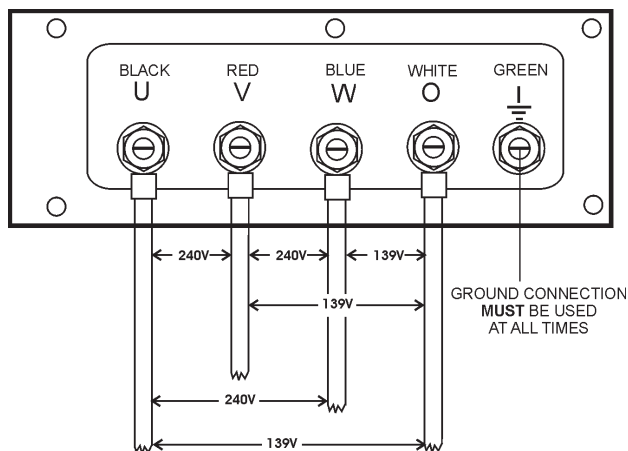
3Ø-240/139 UVWO Terminal Output Voltages

1. Place the voltage selector switch in the 3Ø 240/139 position as shown in Figure 19.



**Figure 19. Voltage Selector Switch
3Ø-240/139V Position**

2. Connect the load wires to the UVWO terminals as shown in Figure 20.



**Figure 20. UVWO Terminal Lugs
3Ø-240/139V Connections**

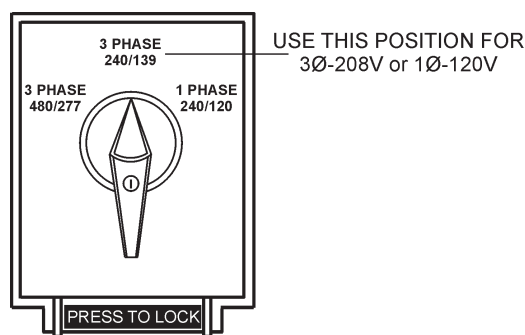
3. Turn the voltage regulator knob (Figure 21) clockwise to increase voltage output, turn counterclockwise to decrease voltage output. Use voltage regulator adjustment knob whenever fine tuning of the output voltage is required.



Figure 21. Voltage Regulator Knob

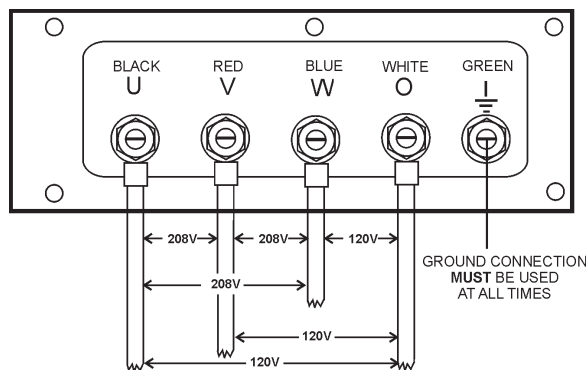
3Ø-208V/1Ø-120V UVWO Terminal Output Voltages

1. Place the voltage selector switch in the 3Ø 240/139 position as shown in Figure 22.



**Figure 22. Voltage Selector Switch
3Ø-240/139V Position**

2. Connect the load wires to the UVWO terminals as shown in Figure 23.



**Figure 23. UVWO Terminal Lugs
3Ø-208/1Ø-120V Connections Connections**

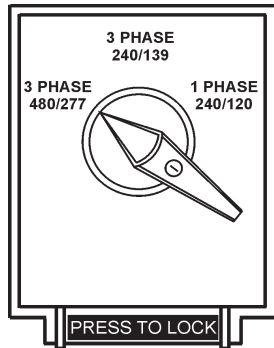
NOTICE

To achieve a 3Ø 208V output the voltage selector switch must be in the 3Ø-240/139 position and the voltage regulator must be adjusted to 208V.

OUTPUT TERMINAL PANEL CONNECTIONS

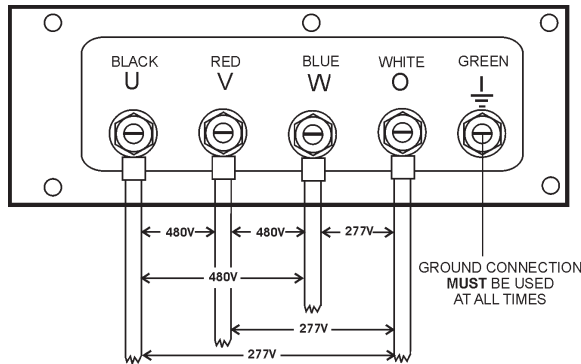
3Ø-480/277V UVWO Terminal Output Voltages

1. Place the voltage selector switch in the 3Ø 480/277 position as shown in Figure 24.



**Figure 24. Voltage Selector Switch
3Ø-480/277V Position**

2. Connect the load wires to the UVWO terminals as shown in Figure 25.

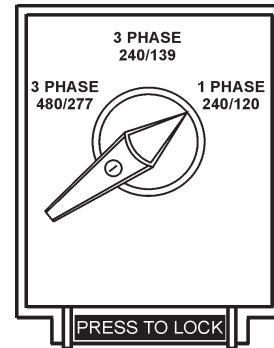


**Figure 25. UVWO Terminal Lugs
3Ø-480/277V Connections**

3. Turn the voltage regulator knob (Figure 21) clockwise to increase voltage output, turn counterclockwise to decrease voltage output. Use voltage regulator adjustment knob whenever fine tuning of the output voltage is required.

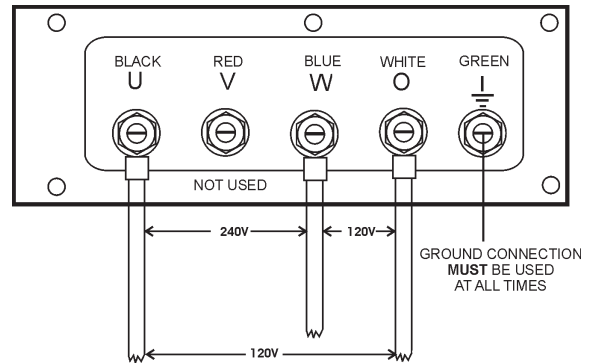
1Ø-240/120V UVWO Terminal Output Voltages

1. Place the voltage selector switch in the 1Ø 240/120 position as shown in Figure 26.



**Figure 26. Voltage Selector Switch
1Ø-240/120V Position**

2. Connect the load wires to the UVWO terminals as shown in Figure 27.



**Figure 27. UVWO Terminal Lugs
1Ø-240/120V Connections**

3. Turn the voltage regulator knob (Figure 21) clockwise to increase voltage output, turn counterclockwise to decrease voltage output. Use voltage regulator adjustment knob whenever fine tuning of the output voltage is required.

NOTICE

ALWAYS make sure that the connections to the UVWO terminals are **secure** and **tight**. The possibility of arcing exists, that could cause a fire.

CIRCUIT BREAKERS

To protect the generator from an overload, a 3-pole, 350 amp, main circuit breaker is provided to protect the **U, V, and W Output Terminals** from overload. In addition two single-pole, 20 amp **GFCI** circuit breakers are provided to protect the GFCI receptacles from overload. Three 50 amp **load** circuit breakers have also been provided to protect the auxiliary receptacles from overload. Make sure to switch **ALL** circuit breakers to the **OFF** position prior to starting the engine.

LUBRICATION OIL

Fill the engine crankcase with lubricating oil through the filler hole, but **DO NOT** overfill. Make sure the generator is level and verify that the oil level is maintained between the two notches (Figure 28) on the dipstick. See Table 11 for proper selection of engine oil.

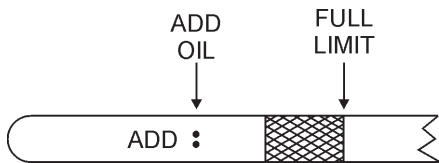


Figure 28. Engine Oil Dipstick

When checking the engine oil, be sure to check if the oil is clean. If the oil is not clean, drain the oil by removing the oil drain plug, and refill with the specified amount of oil as outlined in the **ISUZU Engine Owner's Manual**. Oil should be warm before draining.

Other types of motor oils may be substituted if they meet the following requirements:

- API Service Classification CC/SC
- API Service Classification CC/SD
- API Service Classification CC/SE
- API Service Classification CC/SF

Table 11. Recommended Motor Oil		OIL: SAE	
°F	°C	SAE	SAE
122	50	10W/40	10W/40
104	40	10W/40	30
86	30	10W/40	15W/30
68	20	10W/40	10W/30
50	10	10W/40	10W
32	0	10W/40	5W/30
-14	-10	ARCTIC OIL	5W/30
-4	-20	ARCTIC OIL	5W/30
-22	-30	ARCTIC OIL	5W/30
-40	-40	ARCTIC OIL	5W/30

FUEL CHECK

! DANGER

Fuel spillage on a **hot** engine can cause a **fire** or **explosion**. If fuel spillage occurs, wipe up the spilled fuel completely to prevent fire hazards. **NEVER** smoke around or near the generator.

Refilling the Fuel System

! CAUTION

ONLY properly trained personnel who have read and understand this section should refill the fuel tank system.

This generator has an internal fuel tank located inside the trailer frame and may also be equipped with an environmental fuel tank (Figure 29). **ALWAYS** fill the fuel tanks with clean fresh **#2 diesel fuel**. **DO NOT** fill the fuel tanks beyond their capacities.

Pay attention to the fuel tank capacity when replenishing fuel. The fuel tank cap must be closed tightly after filling. Handle fuel in a safety container. If the container does not have a spout, use a funnel. Wipe up any spilled fuel immediately.

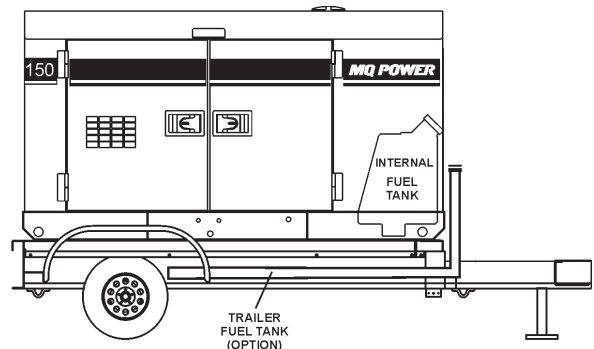



Figure 29. Internal Fuel Tank System

Refueling Procedure:

WARNING



Diesel fuel and its vapors are dangerous to your health and the surrounding environment. Avoid skin contact and/or inhaling fumes.

1. **Level Tanks** — Make sure fuel cells are level with the ground. Failure to do so will cause fuel to spill from the tank before reaching full capacity (Figure 30).

CAUTION

ALWAYS place trailer on firm level ground before refueling to prevent spilling and maximize the amount of fuel that can be pumped into the tank.

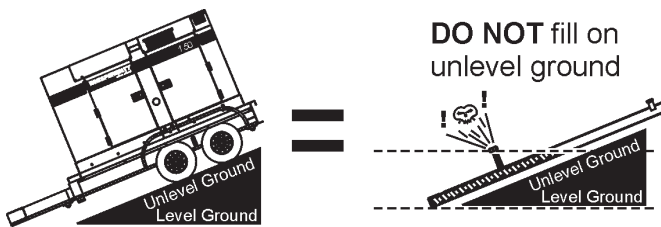


Figure 30. Only Fill on Level Ground

NOTICE

ONLY use #2 diesel fuel when refueling.

2. Open cabinet doors on the “right side” of the generator (from generator control panel position). Remove fuel cap and fill tank (Figure 31).

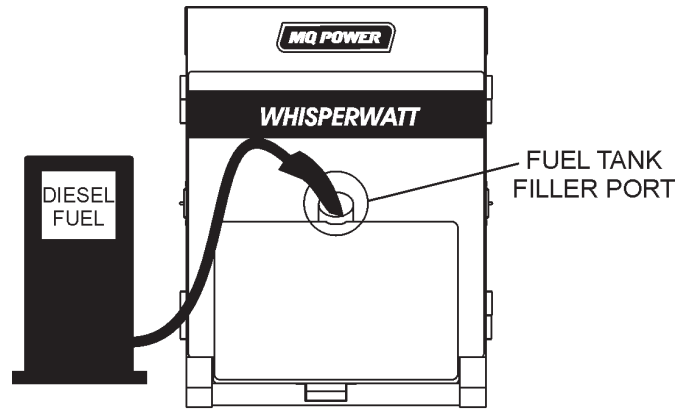


Figure 31. Fueling the Generator

3. **NEVER overfill fuel tank** — It is important to read the fuel gauge when filling trailer fuel tank. **DO NOT** wait for fuel to rise in filler neck (Figure 32).

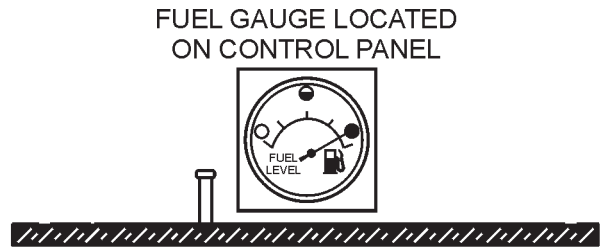


Figure 32. Full Fuel Tank

CAUTION

DO NOT OVERFILL fuel system. Leave room for fuel expansion. Fuel expands when heated (Figure 33).

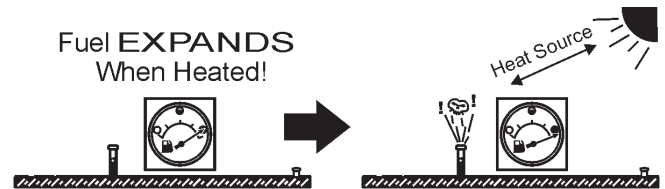



Figure 33. Fuel Expansion

COOLANT (ANTIFREEZE/SUMMER COOLANT/WATER)

ISUZU recommends ISUZU antifreeze/summer coolant for use in their engines, which can be purchased in concentrate (and mixed with 50% demineralized water) or pre-diluted. See the **ISUZU Engine Owner's Manual** for further details.

WARNING



If adding coolant/antifreeze mix to the radiator, **DO NOT** remove the radiator cap until the unit has completely cooled. The possibility of **hot!** coolant exists which can cause severe burns.

Day-to-day addition of coolant is done from the recovery tank. When adding coolant to the radiator, **DO NOT** remove the radiator cap until the unit has completely cooled. See Table 12 for engine, radiator, and recovery tank coolant capacities. Make sure the coolant level in the recovery tank is always between the “H” and the “L” markings.

Table 12. Coolant Capacity	
Engine and Radiator	5.2 gal (19.7 liters)
Reserve Tank	TBD

Operation in Freezing Weather

When operating in freezing weather, be certain the proper amount of antifreeze (Table 13) has been added.

Table 13. Anti-Freeze Operating Temperatures		
Vol % Anti-Freeze	Freezing Point	
	°C	°F
50	-37	-34

NOTICE

When the antifreeze is mixed with water, the antifreeze mixing ratio **must be** less than 50%.

CLEANING THE RADIATOR

The engine may overheat if the radiator fins become overloaded with dust or debris. Periodically clean the radiator fins with compressed air. Cleaning inside the machine is dangerous, so clean only with the engine turned off and the **negative** battery terminal disconnected.

AIR CLEANER

Periodic cleaning/replacement is necessary. Inspect it in accordance with the **ISUZU Engine Owner's Manual**.

FAN BELT TENSION

A slack fan belt may contribute to overheating, or to insufficient charging of the battery. Inspect the fan belt for damage and wear and adjust it in accordance with the **ISUZU Engine Owner's Manual**.

The fan belt tension is proper if the fan belt bends 10 to 15 mm (Figure 34) when depressed with the thumb as shown below.

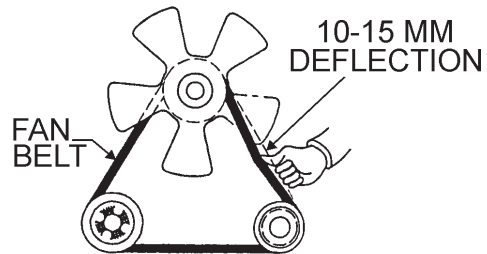



Figure 34. Fan Belt Tension

CAUTION



NEVER place hands near the belts or fan while the generator set is running.

BATTERY

This unit is of negative ground **DO NOT** connect in reverse. Always maintain battery fluid level between the specified marks. Battery life will be shortened, if the fluid level are not properly maintained. Add only distilled water when replenishment is necessary.

DO NOT over fill. Check to see whether the battery cables are loose. Poor contact may result in poor starting or malfunctions. **Always** keep the terminals firmly tightened. Coating the terminals with an approved battery terminal treatment compound. Replace battery with only recommended type battery.

The battery is sufficiently charged if the specific gravity of the battery fluid is 1.28 (at 68° F). If the specific gravity should fall to 1.245 or lower, it indicates that the battery is dead and needs to be recharged or replaced.

Before charging the battery with an external electric source, be sure to disconnect the battery cables.

Battery Cable Installation

ALWAYS be sure the battery cables (Figure 35) are properly connected to the battery terminals as shown below. The **red cable** is connected to the positive terminal of the battery, and the **black cable** is connected to the negative terminal of the battery.

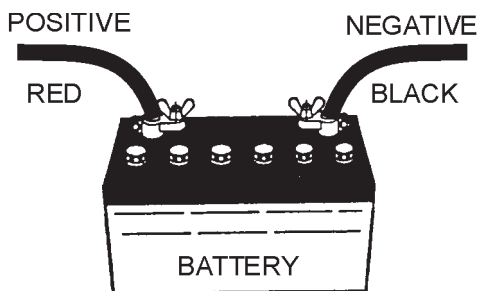
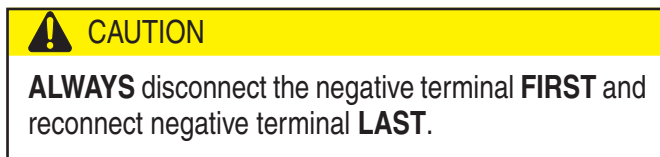


Figure 35. Battery Connections

When connecting battery do the following:

1. **NEVER** connect the battery cables to the battery terminals when the **MPEC Control Switch** is in either the **MANUAL** position. **ALWAYS** make sure that the **MPEC Control Switch** is in the **OFF/RESET** position when connecting the battery.
2. Place a small amount of battery terminal treatment compound around both battery terminals. This will ensure a good connection and will help prevent corrosion around the battery terminals.

NOTICE

If the battery cable is connected incorrectly, electrical damage to the generator will occur. Pay close attention to the polarity of the battery when connecting the battery.

CAUTION

Inadequate battery connections may cause poor starting of the generator, and create other malfunctions.

ALTERNATOR

The polarity of the alternator is negative grounding type. When an inverted circuit connection takes place, the circuit will be in short circuit instantaneously resulting the alternator failure.

DO NOT put water directly on the alternator. Entry of water into the alternator can cause corrosion and damage the alternator.

WIRING

Inspect the entire generator for bad or worn electrical wiring or connections. If any wiring or connections are exposed (insulation missing) replace wiring immediately.

PIPING AND HOSE CONNECTION

Inspect all piping, oil hose, and fuel hose connections for wear and tightness. Tighten all hose clamps and check hoses for leaks.

If any hose (**fuel or oil**) lines are defective replace them immediately.

GENERATOR START-UP PROCEDURE

BEFORE STARTING

CAUTION

The engine's exhaust contains harmful emissions. **ALWAYS** have adequate ventilation when operating. Direct exhaust away from nearby personnel.

WARNING

NEVER manually start the engine with the main, GFCI or auxiliary circuit breakers in the **ON** (closed) position.

1. Place the **main, G.F.C.I., and aux.** circuit breakers (Figure 36) in the **OFF** position prior to starting the engine.

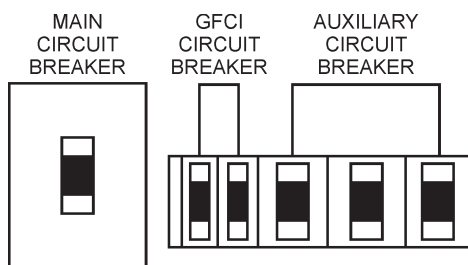


Figure 36. Main, Aux. and GFCI Circuit Breakers (OFF)

2. Make sure the **voltage change-over board** has been configured for the desired output voltage.
3. Connect the load to the **receptacles** or the **output terminal lugs** as shown in Figure 10. These load connection points can be found on the output terminal panel and the output terminal panel's hard wire hookup panel.
4. Tighten terminal nuts securely to prevent load wires from slipping out.
5. Close all engine enclosure doors (Figure 37).

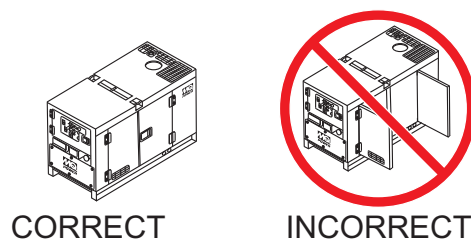


Figure 37. Engine Enclosure Doors

STARTING

1. Place the **voltage selector switch** in the desired voltage position (Figure 38)..

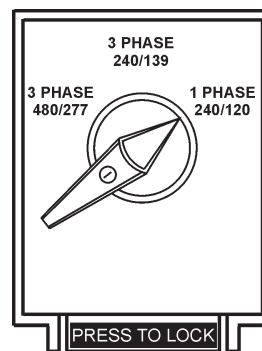


Figure 38. Voltage Selector Switch

STARTING (MANUAL)

1. Place the engine speed switch (Figure 39) in the **LOW** (down) position.



Figure 39. Engine Speed Switch (Low)

2. Located in the control box is the engine controller **diagnostic switch** (Figure 40). Verify that this switch has been placed in the **OFF** position (down).



Figure 40. Diagnostic Switch

3. Place the **MPEC control switch** in the **MANUAL** position to start the engine (Figure 41).



Figure 41. MPEC Control Switch (Manual Position)

GENERATOR START-UP PROCEDURE

4. Depending on the temperature of the coolant (cold weather conditions), the pre-heat lamp (Figure 42) will light (**ON**) and remain on until the pre-heating cycle has been completed. After completion of the pre-heating cycle, the light will go **OFF** and the engine will start up automatically.



Figure 42. Pre-Heat Lamp

5. Once the engine starts, let the engine run for 1-2 minutes. Listen for any abnormal noises. If any abnormalities exist, shut down the engine and correct the problem. If the engine is running smoothly, place the engine speed switch (Figure 43) in the **HIGH** (up) position.



Figure 43. Engine Speed Switch (High)

6. Verify that the Engine Running status LED on the MPEC unit (Figure 44) in **ON** (lit) after the engine has been started

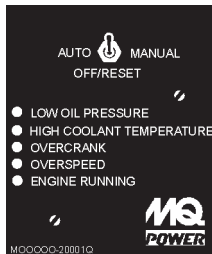


Figure 44. Engine Running LED (ON)

7. The generator's frequency meter (Figure 45) should be displaying the 60 cycle output frequency in **HERTZ**.

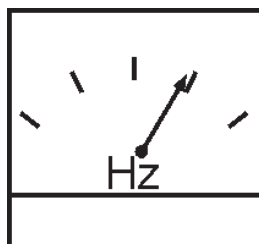


Figure 45. Frequency Meter

8. The generator's AC-volmeter (Figure 46) will display the generator's output in **VOLTS**.

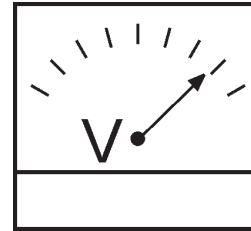


Figure 46. Voltmeter

9. If the voltage is not within the specified tolerance, use the voltage adjustment control knob (Figure 47) to increase or decrease the desired voltage.



Figure 47. Voltage Adjust Control Knob

10. The ammeter (Figure 48) will indicate **zero amps** with no load applied. When a load is applied, the ammeter will indicate the amount of current that the load is drawing from the generator.

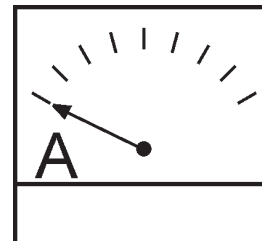


Figure 48. Ammeter (No Load)

11. The engine oil pressure gauge (Figure 49) will indicate the oil pressure of the engine. Under normal operating conditions the oil pressure is approximately 42 to 71 psi. (290~490 kPa).

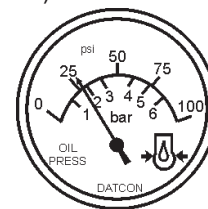


Figure 49. Oil Pressure Gauge

GENERATOR SHUT-DOWN PROCEDURES

- The **coolant temperature gauge** (Figure 50) will indicate the coolant temperature. Under normal operating conditions the coolant temperature should be between 167°~203°F (75°~95°C) (**Green Zone**).

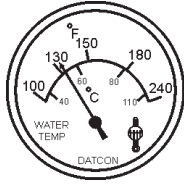


Figure 50. Coolant Temperature Gauge

- The **tachometer gauge** (Figure 51) will indicate the speed of the engine when the generator is operating. Under normal operating conditions this speed is approximately 1800 RPM's.

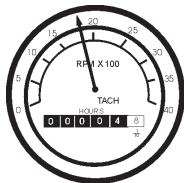


Figure 51. Engine Tachometer Gauge

- Place the **main, GFCI, and aux.** circuit breakers in the **ON** position (Figure 52).

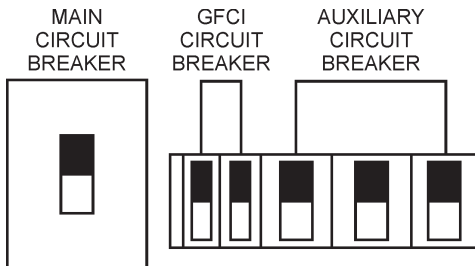


Figure 52. Main, Aux. and GFCI Circuit Breakers (ON)

- Observe the generator's ammeter (Figure 53) and verify it reads the anticipated amount of current with respect to the load. The ammeter will only display a current reading if a load is in use.

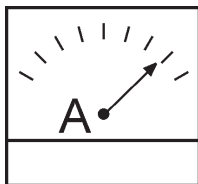


Figure 53. Ammeter (Load)

- The generator will run until manually stopped or an abnormal condition occurs.

WARNING

NEVER stop the engine suddenly except in an emergency.

NORMAL SHUTDOWN PROCEDURE

To shutdown the generator, use the following procedure:

- Place both the **MAIN, GFCI and LOAD** circuit breakers as shown in Figure 54 to the **OFF** position..

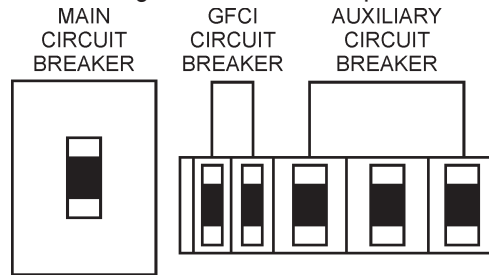


Figure 54. Main, GFCI and Load Circuit Breakers Off

- Place the engine speed switch (Figure 55) in the **"LOW"** (down) position..



Figure 55. Ignition Switch (Normal)

- Let the engine cool by running it at low speed for 3-5 minutes with no load applied.
- Place the **MPEC Control Switch** (Figure 56) to the **OFF/RESET** position.



Figure 56. MPEC Control Switch (Off/Reset)

- Verify that **all** status LEDs on the MPEC display are **OFF** (not lit).
- Remove all loads from the generator.
- Inspect entire generator for any damage or loosening of components that may have occurred during operation.

EMERGENCY SHUTDOWN PROCEDURE

- Place the **MPEC Control Switch** (Figure 56) in the **OFF/RESET** position.

Table 14. Inspection/Maintenance		10 Hrs DAILY	250 Hrs	500 Hrs	1000 Hrs
Engine	Check Engine Fluid Levels	X			
	Check Air Cleaner	X			
	Check Battery Acid Level	X			
	Check Fan Belt Condition	X			
	Check for Leaks	X			
	Check for Loosening of Parts	X			
	Replace Engine Oil and Filter * 1		X		
	Clean Air Filter		X		
	Check Fuel Filter/Water Separator Bowl	X			
	Clean Unit, Inside and Outside		X		
	Change Fuel Filter			X	
	Clean Radiator and Check Coolant Protection Level*2			X	
	Replace Air Filter Element * 3			X	
	Check all Hoses and Clamps * 4				X
Clean Inside of Fuel Tank				X	
Generator	Measure Insulation Resistance Over 3M ohms		X		
	Check Rotor Rear Support Bearing			X	

*1 Replace engine oil and filter at 100 hours, first time only.

*2 Add "Supplemental Coolant Additives (SCA'S)" to recharge the engine coolant.

*3 Replace primary air filter element when restriction indicator shows a vacuum of 625 mm (25 in. H2O).

*4 If blowby hose needs to be replaced, ensure that the slope of the blowby hose is at least a 1/2 inch per foot, with no sags or dips that could collect moisture and/or oil.

GENERAL INSPECTION

Prior to each use, the generator should be cleaned and inspected for deficiencies. Check for loose, missing or damaged nuts, bolts or other fasteners. Also check for fuel, oil, and coolant leaks. Use Table 14 as a general maintenance guideline. **Engine Side**, refer to the Engine Instruction Manual.

AIR CLEANER

Every 250 hours: Remove air cleaner element (Figure 57) and clean the heavy duty paper element with light spray of compressed air. Replace the air cleaner as needed.

Air Cleaner with Dust Indicator

This indicator (Figure 57) is attached to the air cleaner. When the air cleaner element is clogged, air intake restriction becomes greater and the dust indicator signal shows **RED** meaning the element needs changing or service. After changing the air element, press the dust indicator button to reset the indicator.

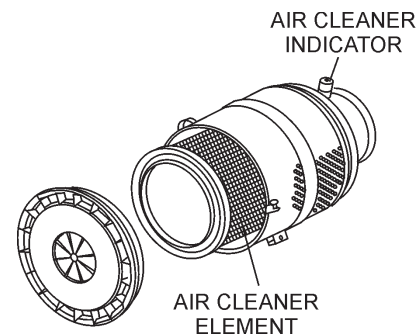


Figure 57. Air Cleaner/Indicator

NOTICE

The air filter should not be changed until the indicator reads "**RED**". Dispose of old air filter. It may not be cleaned or reused.

If the engine is operating in very **dusty** or **dry grass** conditions, a clogged air cleaner will result. This can lead to a loss of power, excessive carbon buildup in the combustion chamber and high fuel consumption. Change air cleaner more **frequently** if these conditions exist.

FUEL ADDITION

Add diesel fuel (the grade may vary according to season and locations).

Removing Water from the Fuel Tank

After prolonged use, water and other impurities accumulate in the bottom of the tank. Occasionally inspect the fuel tank for water contamination and drain the contents if required.

During cold weather, the more empty volume inside the tank, the easier it is for water to condense. This can be reduced by keeping the tank full with diesel fuel.

Cleaning Inside the Fuel Tank

If necessary, drain the fuel inside the fuel tank completely. Using a spray washer (Figure 58) wash out any deposits or debris that have accumulated inside the fuel tank.

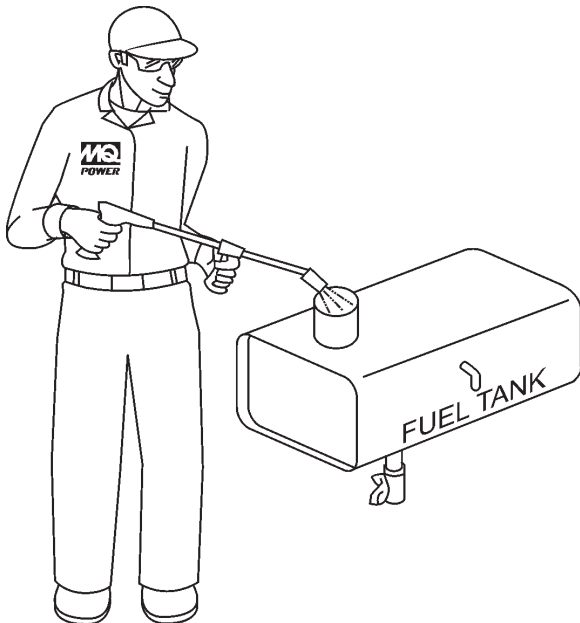


Figure 58. Fuel Tank Cleaning

FUEL TANK INSPECTION

In addition to cleaning the fuel tank, the following components should be inspected for wear:

- **Rubber Suspension** — look for signs of wear or deformity due to contact with oil. Replace the rubber suspension if necessary.
- **Fuel Hoses** — inspect nylon and rubber hoses for signs of wear, deterioration and hardening.
- **Fuel Tank Lining** — inspect the fuel tank lining for signs of excessive amounts of oil or other foreign matter.

Replacing Fuel Filter

- Replace the fuel filter cartridge with new one every 500 hours or so.
- Loosen the drain plug at the lower top of the fuel filter. Drain the fuel in the fuel body together with the mixed water. **DO NOT** spill the fuel during disassembly.
- Vent any air

AIR REMOVAL

If air enters the fuel injection system of a diesel engine, starting becomes impossible. After running out of fuel, or after disassembling the fuel system, bleed the system according to the following procedure. See the **ISUZU Engine Manual** for details.

To restart after running out of fuel, turn the switch to the “ON” position for 15-30 seconds. Try again, if needed.

CHECK OIL LEVEL

Check the crankcase oil level prior to each use, or when the fuel tank is filled. Insufficient oil may cause severe damage to the engine. Make sure the generator is level. The oil level must be between the two notches on the dipstick as shown in Figure 28.

Replacing Oil Filter

- Remove the old oil filter.
- Apply a film of oil to the gasket on the new oil filter.
- Install the new oil filter.
- After the oil cartridge has been replaced, the engine oil will drop slightly. Run the engine for a while and check for leaks before adding more oil if needed. Clean excessive oil from engine.

FLUSHING OUT RADIATOR AND REPLACING COOLANT

- Open both cocks located at the crankcase side and at the lower part of the radiator and drain coolant. Open the radiator cap while draining. Remove the overflow tank and drain.
- Check hoses for softening and kinks. Check clamps for signs of leakage.
- Tighten both cocks and replace the overflow tank.
- Replace with coolant as recommended by the engine manufacturer.
- Close radiator cap tightly.
- Flush the radiator by running clean tap water through radiator until signs of rust and dirt are removed. **DO NOT** clean radiator core with any objects, such as a screwdriver.

WARNING



Allow engine to **cool** when flushing out radiator. Flushing the radiator while hot could cause serious burns from water or steam.

RADIATOR CLEANING

The radiator (Figure 59) should be sprayed (cleaned) with a high pressure washer when excessive amounts of dirt and debris have accumulated on the cooling fins or tube. When using a high pressure washer, stand at least 5 feet (1.5 meters) away from the radiator to prevent damage to the fins and tube.

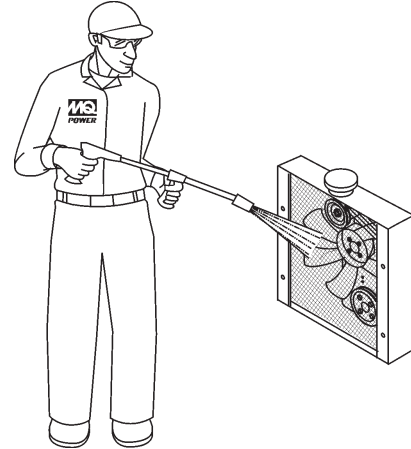


Figure 59. Radiator Cleaning

GENERATOR STORAGE

For long term storage of the generator the following is recommended:

- Drain the fuel tank completely. Treat with a fuel stabilizer if necessary.
- Completely drain the oil from the crankcase and refill if necessary with fresh oil.
- Clean the entire generator, internal and external.
- Cover the generating set and store in a clean, dry place.
- Disconnect the battery.
- Make sure engine coolant is at proper level.
- If generator is mounted on a trailer, jack trailer up and place on blocks so tires do not touch the ground or block and completely remove the tires.

JACKET WATER HEATER AND INTERNAL BATTERY CHARGER 120 VAC INPUT RECEPTACLES (OPTIONAL)

This generator can be optionally equipped with two 120 VAC, 20 amp input receptacles located on the output terminal panel.

The purpose of these receptacles is to provide power via commercial power to the jacket water heater and internal battery charger.

These receptacles will ONLY function when commercial power has been supplied to them (Figure 60). To apply commercial power to these receptacles, a power cord of adequate size will be required (See Table 6).

When using the generator in hot climates there is no reason to apply power to jacket water heater. However, if the generator will be used in cold climates it is always a good idea to apply power to the jacket water heater at all times. To apply power to the jacket water heater simply apply power to the jacket water heater receptacle via commercial power using an power cord of adequate size.

If the generator will be used daily, the battery should normally not require charging. If the generator will be idle (not used) for long periods of time, apply power to the battery charger receptacle via commercial power using an power cord of adequate size.

NOTICE

To ensure adequate starting capability, always have power applied to the generator's internal battery charger..

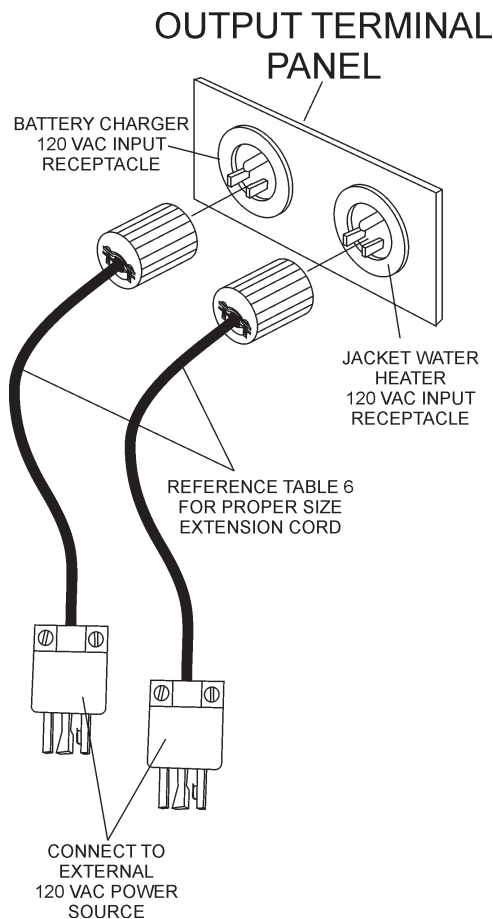


Figure 60. Battery Charger & Jacket Water Heater Power Connections

TRAILER MAINTENANCE

This section is intended to provide the user with generic trailer service and maintenance information. The service and maintenance guidelines referenced in this section refer to a wide range of trailers.

Remember periodic inspection of the trailer will ensure safe towing of the generator and will prevent personal injury and damage to the equipment.

The definitions below describe some of the major components of a typical trailer that would be used with generator.

1. **Fuel Cell** — Provides an adequate amount of fuel for the equipment in use. Fuel cells must be empty when transporting equipment.
2. **Braking System** — System employed in stopping the trailer. Typical braking systems are electric, surge, hydraulic, hydraulic-surge and air.
3. **GVWR** — Gross Vehicle Weight Rating (GVWR) is the maximum number of pounds the trailer can carry, including the fuel cell (empty).
4. **Frame Length** — Measurement is from the ball hitch to the rear bumper (reflector).
5. **Frame Width** — Measurement is from fender to fender
6. **Jack Stand** — Trailer support device with maximum pound requirement from the tongue of the trailer.
7. **Coupler** — Type of hitch used on the trailer for towing.
8. **Tire Size** — Indicates the diameter of the tire in inches (10,12,14, etc.), and the width in millimeters (175,185,205, etc.). The tire diameter must match the diameter of the tire rim.
9. **Tire Ply** — The tire ply (layers) number is rated in letters; 2-ply,4-ply,6-ply, etc.
10. **Wheel Hub** — The wheel hub is connected to the trailer's axle.
11. **Tire Rim** — Tires mounted on a tire rim. The tire rim must match the size of the tire.
12. **Lug Nuts** — Used to secure the wheel to the wheel hub. Always use a torque wrench to tighten down the lug nuts. See Table 18 and Figure 63 for lug nut tightening and sequence.
13. **Axle** — Indicates the maximum weight the axle can support in pounds, and the diameter of the axle expressed in inches. Please note that some trailers have a double axle. This will be shown as 2-6000 lbs., meaning two axles with a total weight capacity of 6000 pounds.
14. **Suspension** — Protects the trailer chassis from shocks transmitted through the wheels. Types of suspension used are leaf, Q-flex, and air ride.
15. **Electrical** — Electrical connectors (looms) are provided with the trailer so the brake lights and turn signals can be connected to the towing vehicle.
16. **Application** — Indicates which units can be employed on a particular trailer.

BRAKES

Trailer brakes should be inspected the **first 200 miles** of operation. This will allow the brake shoes and drums to seat properly. After the first 200 mile interval, inspect the brakes **every 3,000 miles**. If driving over rough terrain, inspect the brakes more frequently.

Figure 61 displays the major hydraulic surge brake components that will require inspection and maintenance. Please inspect these components as required using steps 1 through 8 and Table 15 as listed below:

Brake Adjustment

1. Place the trailer on jack stands. Make sure the jack stands are placed on secure level ground.
2. Check the wheel and drum for free rotation.
3. Remove the adjusting hole cover from the adjusting slot at the bottom brake backing plate.
4. With a screwdriver or standard adjusting tool, rotate the star wheel of the adjuster assembly to expand the brake shoes.
5. Adjust the brake shoes outward until the pressure of the lining against the wheel drum makes the wheel difficult to turn.
6. Adjust, rotate the star wheel in the opposite direction until the wheel rotates freely with slight lining drag.
7. Replace the adjusting hole cover and lower the trailer to the ground.
8. Repeat steps 1 through 7 on the remaining brakes.

Hydraulic Surge Brakes

Hydraulic surge brakes (Figure 61) should not require any special attention with the exception of routine maintenance such as shoe and lining replacement. Brake lines should be periodically checked for cracks, kinks, or blockage.

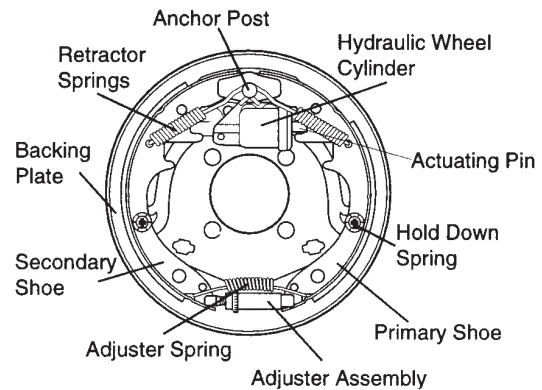


Figure 61. Hydraulic Brake Components

Actuator

Hydraulic surge braking requires the installation of an actuator at the tongue of the trailer. Remember the **surge or push** of the trailer toward the tow vehicle automatically synchronizes the trailer brakes with the tow vehicle brakes. As the trailer pushes against the tow vehicle the actuator telescopes together and applies force to the master cylinder, supplying hydraulic pressure to the trailer brakes. Periodically check and test the surge “actuator” to make sure that it is functioning correctly. Never use an undersize actuator.

Table 15. Hydraulic Brake Troubleshooting

Symptom	Possible Cause	Solution
No Brakes	Brake line broken or kinked?	Repair or replace.
Weak Brakes or Brakes Pull to One Side	Brake lining glazed?	Reburnish or replace.
	Trailer overloaded?	Correct weight.
	Brake drums scored or grooved?	Machine or replace.
	Tire pressure correct?	Inflate all tires equally.
	Tires unmatched on the same axle?	Match tires.
Locking Brakes	Brake components loose, bent or broken?	Replace components.
	Brake drums out-of-round?	Replace.
Noisy Brakes	System lubricated?	Lubricate.
	Brake components correct?	Replace and correct.
Dragging Brakes	Brake lining thickness incorrect or not adjusted correctly?	Install new shoes and linings.
	Enough brake fluid or correct fluid?	Replace rubber parts fill with dot 4 fluid.

TRAILER MAINTENANCE

TIRES/WHEELS/LUG NUTS


Tires and wheels are a very important and critical components of the trailer. When specifying or replacing the trailer wheels it is important the wheels, tires, and axle are properly matched.

CAUTION



ALWAYS wear safety glasses when removing or installing force fitted parts. Failure to comply may result in serious injury.

CAUTION









DO NOT attempt to repair or modify a wheel. **DO NOT** install in inner tube to correct a leak through the rim. If the rim is cracked, the air pressure in the inner tube may cause pieces of the rim to explode (break off) with great force and cause serious eye or bodily injury.

Tire Wear/Inflation

Tire inflation pressure is the most important factor in tire life. Pressure should be checked cold before operation **DO NOT** bleed air from tires when they are **hot!** Check inflation pressure weekly during use to insure the maximum tire life and tread wear.

Table 16 (Tire Wear Troubleshooting) will help pinpoint the causes and solutions of tire wear problems.

Table 16. Tire Wear Troubleshooting			
Wear Pattern		Cause	Solution
	Center Wear	Over inflation.	Adjust pressure to particular load per tire manufacturer.
	Edge Wear	Under inflation.	Adjust pressure to particular load per tire manufacturer.
	Side Wear	Loss of camber or overloading.	Make sure load does not exceed axle rating. Align wheels.
	Toe Wear	Incorrect toe-in.	Align wheels.
	Cupping	Out-of-balance.	Check bearing adjustment and balance tires.
	Flat Spots	Wheel lockup and tire skidding.	Avoid sudden stops when possible and adjust brakes.

Suspension

The **leaf suspension** springs and associated components (Figure 62) should be visually inspected every 6,000 miles for signs of excessive wear, elongation of bolt holes, and loosening of fasteners. Replace all damaged parts (suspension) immediately. Torqued suspension components as detailed in Table 17.

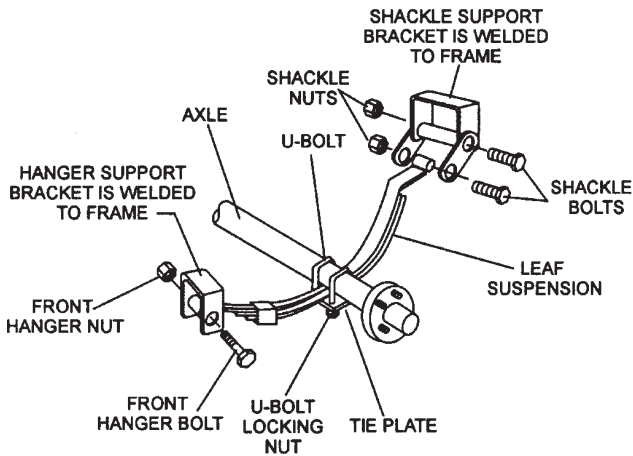


Figure 62. Major Suspension Components

Table 17. Suspension Torque Requirements	
Item	Torque (Ft.-Lbs.)
3/8" U-Bolt	Min-30 Max-35
7/16" U-Bolt	Min-45 Max-60
1/2" U-Bolt	Min-45 Max-60
Shackle Bolt Spring Eye Bolt	Snug fit only. Parts must rotate freely. Locking nuts or cotter pins are provided to retain nut-bolt assembly.
Shoulder Type Shackle Bolt	Min-30 Max-50

TRAILER MAINTENANCE

Lug Nut Torque Requirements

It is extremely important to apply and maintain proper wheel mounting torque on the trailer. Be sure to use only the fasteners matched to the cone angle of the wheel. Proper procedure for attachment of the wheels is as follows:

1. Start all wheel lug nuts by hand.
2. Torque all lug nuts in sequence (Figure 63). **DO NOT** torque the wheel lug nuts all the way down. Tighten each lug nut in 3 separate passes as defined by Table 18.
3. After first road use, retorque all lug nuts in sequence. Check all wheel lug nuts periodically.

Wheel Size	First Pass FT-LBS	Second Pass FT-LBS	Third Pass FT-LBS
12"	20-25	35-40	50-65
13"	20-25	35-40	50-65
14"	20-25	50-60	90-120
15"	20-25	50-60	90-120
16"	20-25	50-60	90-120

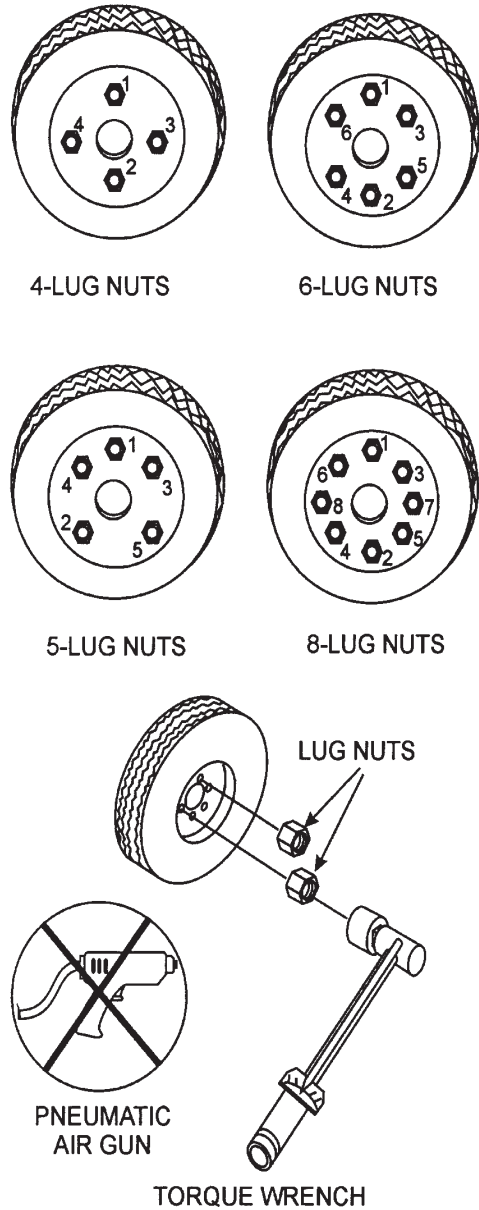


Figure 63. Wheel Lug Nuts Tightening Sequence

NOTICE

NEVER use an pneumatic air gun to tighten wheel lug nuts.

TRAILER WIRING DIAGRAM

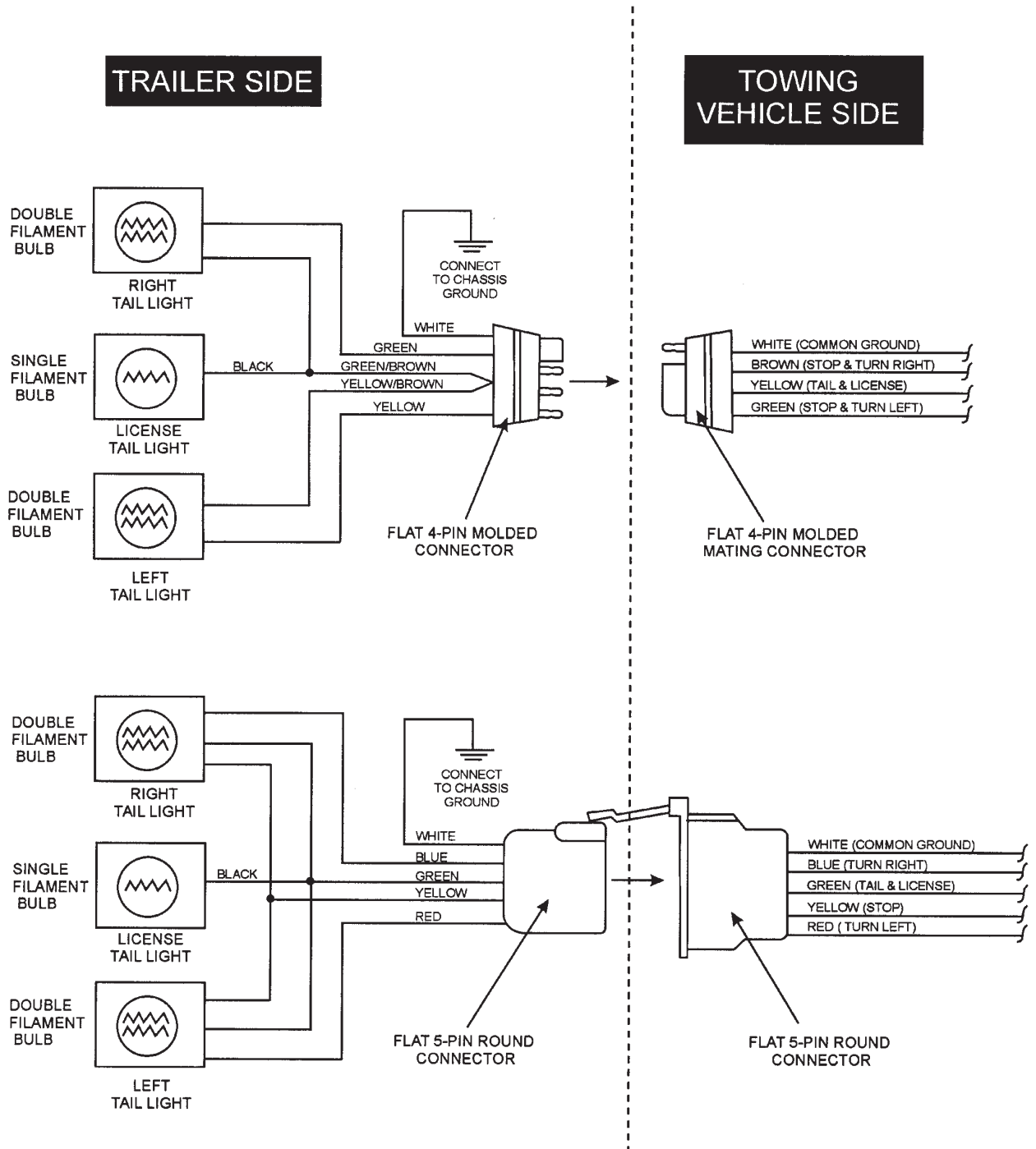
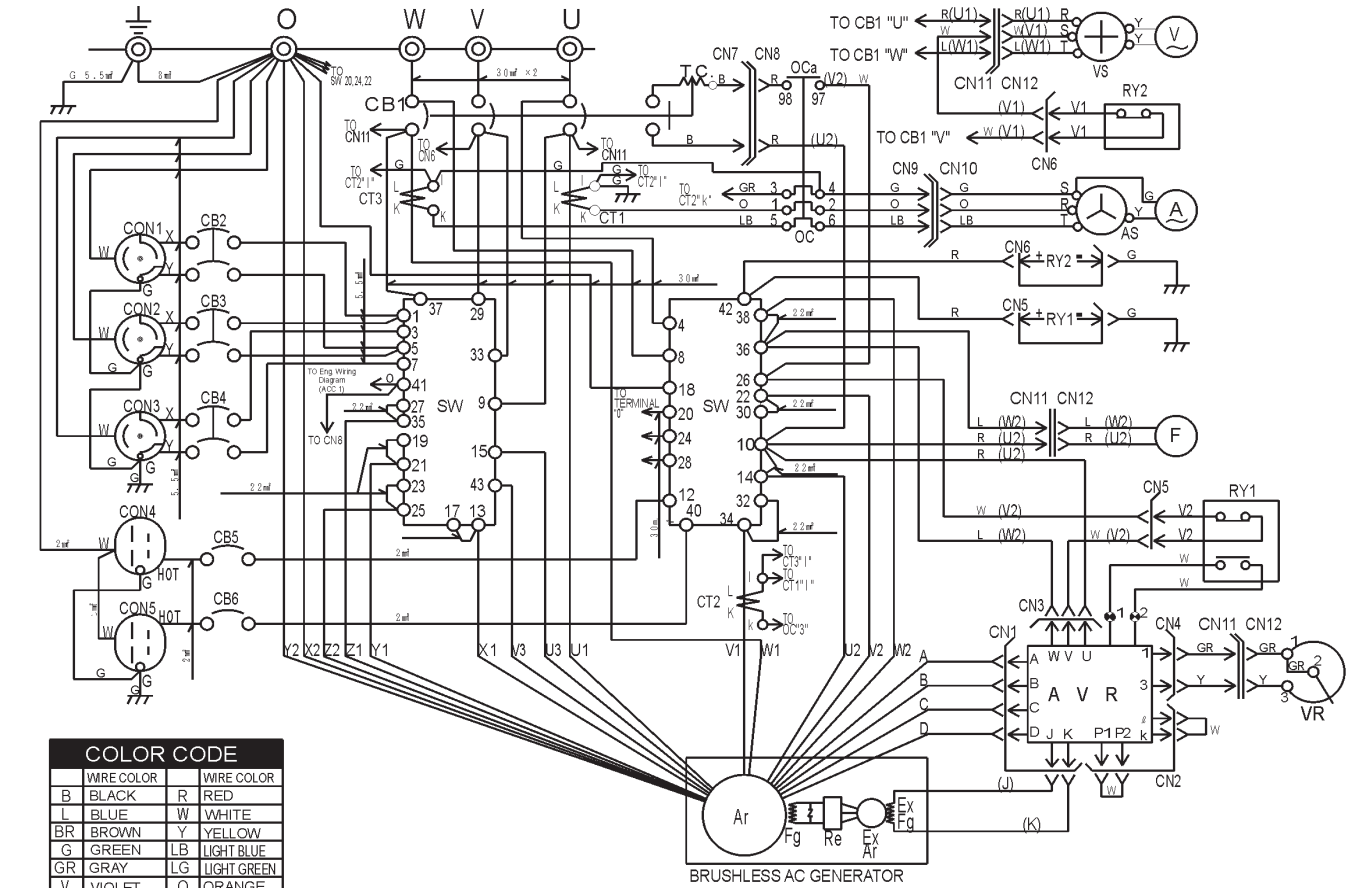
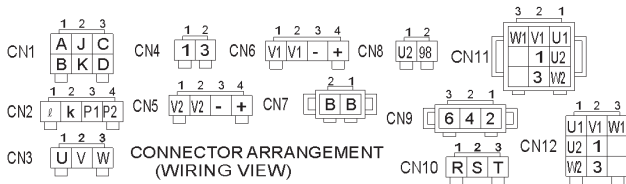


Figure 64. Trailer/Towing Vehicle Wiring Diagram

GENERATOR WIRING DIAGRAM



COLOR CODE			
WIRE COLOR	WIRE COLOR		
B	BLACK	R	RED
L	BLUE	W	WHITE
BR	BROWN	Y	YELLOW
G	GREEN	LB	LIGHT BLUE
GR	GRAY	LG	LIGHT GREEN
V	VIOLET	O	ORANGE
P	PINK		



SYMBOL	DESIGNATION
Ar	MAIN GENERATOR ARMATURE WINDING
Fg	MAIN GENERATOR FIELD WINDING
ExAr	EXCITER ARMATURE WINDING
ExFg	EXCITER FIELD WINDING
Re	RECTIFIER
AVR	AUTOMATIC VOLTAGE REGULATOR
VR	VOLTAGE REGULATOR (RHEOSTAT)
CT 1,2,3	CURRENT TRANSFORMER
AS	CHANGE-OVER SWITCH, AMMETER
A~	AC. AMMETER
VS	CHANGE-OVER SWITCH, VOLTMETER
V	AC. VOLTMETER
F	FREQUENCY METER
OC	OVER CURRENT RELAY
CB 1,2,3,4,5,6	CIRCUIT BREAKERS
CON 1,2,3,4,5,6	RECEPTACLES
SW	SELECTOR SWITCH
FAN 1,2	FAN MOTOR
RY 1,2	RHEOSTAT
F	FUSE

Notice :
1. No designation lead size : 1.25

Figure 65. Generator Wiring Diagram

ENGINE WIRING DIAGRAM

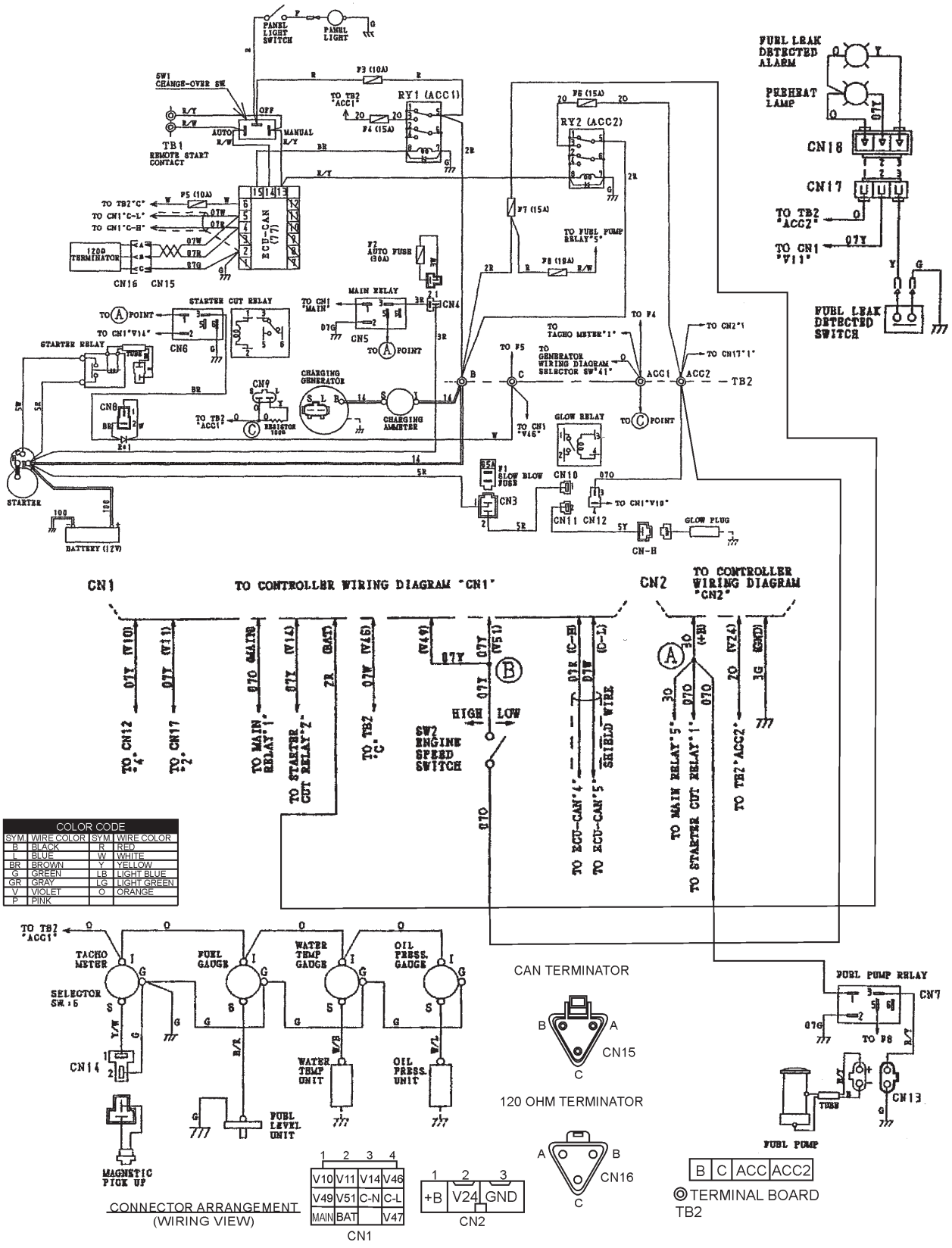


Figure 66. Engine Wiring Diagram

TROUBLESHOOTING (GENERATOR)

Practically all breakdowns can be prevented by proper handling and maintenance inspections, but in the event of a breakdown, use Table 19 shown below for diagnosis of the Generator. If the problem cannot be remedied, consult our company's business office or service plant.

Table 19. Generator Troubleshooting		
Symptom	Possible Problem	Solution
No Voltage Output	AC Voltmeter defective?	Check output voltage using a voltmeter.
	Is wiring connection loose?	Check wiring and repair.
	Is AVR defective?	Replace if necessary.
	Defective Rotating Rectifier?	Check and replace.
	Defective Exciter Field?	Check for approximately 17.3 ohms across J & K on CN1
Low Voltage Output	Is engine speed correct?	Turn engine throttle lever to "High".
	Is wiring connections loose?	Check wiring and repair.
	Defective AVR?	Replace if necessary.
High Voltage Output	Is wiring connections loose?	Check wiring and repair.
	Defective AVR?	Replace if necessary.
Circuit Breaker Tripped	Short Circuit in load?	Check load and repair.
	Over current?	Confirm load requirements and reduce.
	Defective circuit breaker?	Check and replace.
	Over current Relay actuated?	Confirm load requirement and replace.

TROUBLESHOOTING (DIAGNOSTIC LAMP)

The engine controller of this generator diagnoses problems that arise from the engine control system and the engine itself. Press the diagnostic button (Figure 68) on the diagnostic panel to determine if an engine malfunction has occurred.

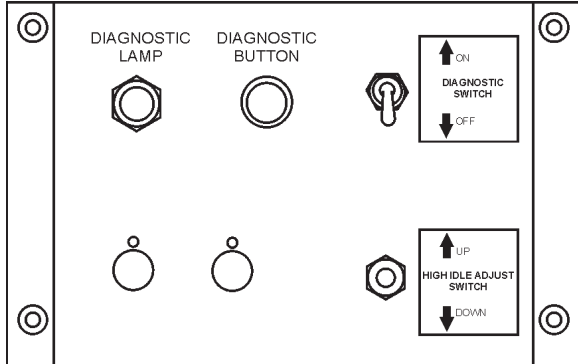


Figure 68. Diagnostic Panel

METHOD OF OPERATION

1. Normally, the diagnostic lamp will be **dimly** lit when the **MPEC Control Switch** is placed in the **MANUAL** position.
2. If engine trouble occurs, the diagnostic lamp will be **brightly** lit as long as the control switch is left in the manual position.
3. The diagnostic lamp will indicate that an engine malfunction has occurred.

NOTICE

For a complete understanding of error codes and troubleshooting procedures, refer to the enclosed engine instruction manual.

NOTICE

If the engine is cranked while the diagnostic switch is in the **"ON"** position, the engine will not be stopped even if the starter switch is turned to the **"OFF"** position. In such case, turn the diagnostic switch to the **"OFF"** position.

EXPLANATION OF CODE IN REMARKS COLUMN

The following section explains the different symbols and remarks used in the Parts section of this manual. Use the help numbers found on the back page of the manual if there are any questions.

NOTICE

The contents and part numbers listed in the parts section are subject to change **without notice**. Multiquip does not guarantee the availability of the parts listed.

SAMPLE PARTS LIST

NO.	PART NO.	PART NAME	QTY.	REMARKS
1	12345	BOLT.....	1	INCLUDES ITEMS W/%
2%		WASHER, 1/4 IN.....		NOT SOLD SEPARATELY
2%	12347	WASHER, 3/8 IN....	1	MQ-45T ONLY
3	12348	HOSE		A/R ...MAKE LOCALLY
4	12349	BEARING	1	S/N 2345B AND ABOVE

NO. Column

Unique Symbols — All items with same unique symbol

(@, #, +, %, or >) in the number column belong to the same assembly or kit, which is indicated by a note in the “Remarks” column.

Duplicate Item Numbers — Duplicate numbers indicate multiple part numbers, which are in effect for the same general item, such as different size saw blade guards in use or a part that has been updated on newer versions of the same machine.

NOTICE

When ordering a part that has more than one item number listed, check the remarks column for help in determining the proper part to order.

PART NO. Column

Numbers Used — Part numbers can be indicated by a number, a blank entry, or TBD.

TBD (To Be Determined) is generally used to show a part that has not been assigned a formal part number at the time of publication.

A blank entry generally indicates that the item is not sold separately or is not sold by Multiquip. Other entries will be clarified in the “Remarks” Column.

QTY. Column

Numbers Used — Item quantity can be indicated by a number, a blank entry, or A/R.

A/R (As Required) is generally used for hoses or other parts that are sold in bulk and cut to length.

A blank entry generally indicates that the item is not sold separately. Other entries will be clarified in the “Remarks” Column.

REMARKS Column

Some of the most common notes found in the “Remarks” Column are listed below. Other additional notes needed to describe the item can also be shown.

Assembly/Kit — All items on the parts list with the same unique symbol will be included when this item is purchased.

Indicated by:
 “INCLUDES ITEMS W/(unique symbol)”

Serial Number Break — Used to list an effective serial number range where a particular part is used.

Indicated by:
 “S/N XXXXX AND BELOW”
 “S/N XXXX AND ABOVE”
 “S/N XXXX TO S/N XXX”

Specific Model Number Use — Indicates that the part is used only with the specific model number or model number variant listed. It can also be used to show a part is NOT used on a specific model or model number variant.

Indicated by:
 “XXXXX ONLY”
 “NOT USED ON XXXX”

“Make/Obtain Locally” — Indicates that the part can be purchased at any hardware shop or made out of available items. Examples include battery cables, shims, and certain washers and nuts.

“Not Sold Separately” — Indicates that an item cannot be purchased as a separate item and is either part of an assembly/kit that can be purchased, or is not available for sale through Multiquip.

DCA125USI WHISPERWATT GENERATOR WITH ISUZU 4HK1X DIESEL ENGINE

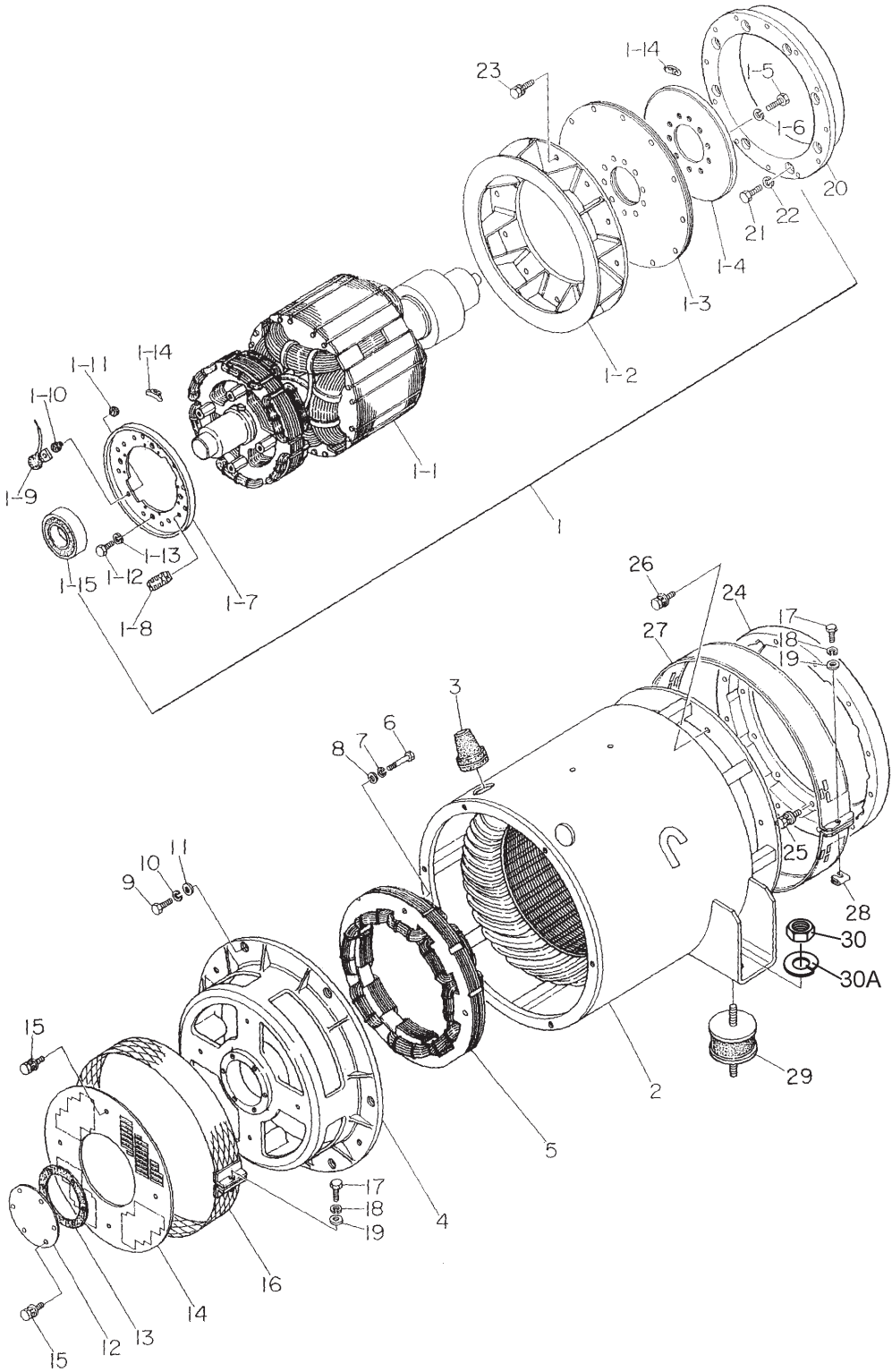
1 to 3 units

QTY.	P/N	DESCRIPTION
5.....	1132402322.....	CARTRIDGE, OIL FILTER
3.....	0602046684.....	ELEMENT, AIR (OUTER)
3.....	P777639	ELEMENT, AIR (INNER)
1.....	8980627130.....	BELT, FAN
3.....	M3310502603.....	RADIATOR HOSE, UPPER
3.....	M3310502703.....	RADIATOR HOSE, LOWER
3.....	8980714010.....	FUEL FILTER, FEED PUMP
3.....	8981430410.....	FILTER FUEL, ELEMENT MAIN
3.....	8980742880.....	FILTER FUEL, ELEMENT PRE
1.....	0602122272.....	UNIT, OIL PRESSURE
1.....	0602123260.....	UNIT, WATER TEMPERATURE
1.....	9095720140.....	PACKING, WATER TEMPERATURE
1.....	8121468300.....	SENSOR, WATER TEMPERATURE
1.....	8980274560.....	SENSOR, OIL PRESSURE
1.....	1096300850.....	GASKET, OIL PRESSURE SENSOR
1.....	8971256011.....	SWITCH, OVERHEAT
1.....	0601870440.....	CIRCUIT BREAKER, 1P, 20 AMP
1.....	0601870441.....	CIRCUIT BREAKER 2P, 50 AMP
1.....	0601820602.....	AUTOMATIC VOLTAGE REGULATOR
3.....	0601806671.....	FUSE, 15 AMP
1.....	0601806644.....	FUSE, 30 AMP
1.....	0601806640.....	FUSE, 65 AMP
2.....	LY2DUS12VDC	RELAY

NOTICE

Part number on this Suggested Spare Parts list may supersede/replace the P/N shown in the text pages of this book.

GENERATOR ASSY.



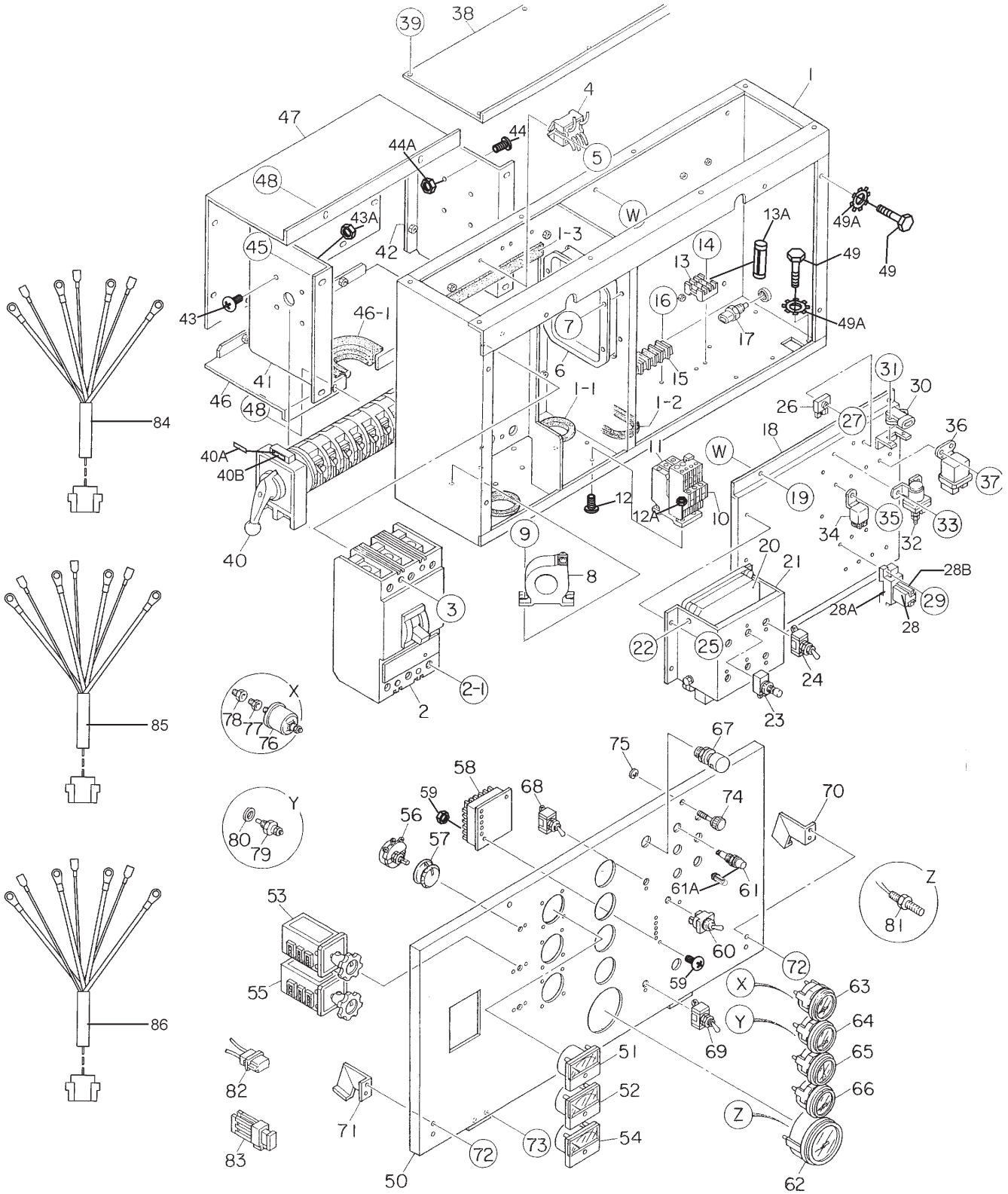
GENERATOR ASSY.

NO.	PART NO.	PART NAME	QTY.	REMARKS
1	C0110001002	ROTOR ASSY	1	INCLUDES ITEMS W/#
1-1#		FIELD ASSY	1	
1-2#	8131070013	FAN	1	
1-3#	8131611014	COUPLING DISK	8	
1-4#	8131015003	BALANCING PLATE.....	1	PURCHASE ITEM 1-14 AS A SET
1-5#	0012112035	HEX HEAD BOLT	10	
1-6#	0042612000	WASHER, LOCK	10	
1-7#	8101026013	SET PLATE, RECTIFIER	1	PURCHASE ITEM 1-14 AS A SET
1-8#	0601821349	RECTIFIER	2	
1-9#	0601822601	SURGE ABSORBER	1	
1-10#	8001020004	WASHER, INSULATOR	1	
1-11#	8001020504	WASHER, INSULATOR	1	
1-12#	012210020	HEX HEAD BOLT	4	
1-13#	0040010000	WASHER, LOCK	4	
1-14#	0601000209	BALANCING WEIGHT KIT	1	
1-15#	0071906312	BEARING	1	
2	C0130000503	STARTOR ASSY	1	
3	0845041804	GROMMET	2	
4	8131315202	END BRACKET	1	
5	8101350013	FIELD ASSY, EXCITER	1	
6	0012110060	HEX HEAD BOLT	4	
7	0042610000	WASHER, LOCK	4	
8	031110160	WASHER, FLAT	4	
9	0010112035	HEX HEAD BOLT	6	
10	0040012000	WASHER, LOCK	6	
11	031112230	WASHER, FLAT	6	
12	8131310104	COVER, BEARING	1	
13	8131312204	GASKET, BEARING	1	
14	8131331003	COVER, END BRACKET	1	
15	0105050616	HEX HEAD BOLT	10	
16	8101333003	COVER, END BRACKET	1	
17	0010006030	HEX HEAD BOLT	2	
18	0040006000	WASHER, LOCK	2	
19	952404470	WASHER, FLAT	2	
20	M3163400503	COUPLING RING	1	
21	0010310075	HEX HEAD BOLT	8	
22	030210250	WASHER, LOCK	8	
23	012010030	HEX HEAD BOLT	12	
24	M3163600003	COUPLING ADAPTER	1	
25	012010030	HEX HEAD BOLT	12	
26	012010030	HEX HEAD BOLT	12	
27	8131332014	COVER, FAN	1	
28	0600815000	NUT	1	
29	0605000063	RUBBER SUSPENSION	2	
30	0030016000	HEX NUT	2	
30A	0040016000	WASHER, LOCK	2	

CONTROL BOX ASSY.

<u>NO.</u>	<u>PART NO.</u>	<u>PART NAME</u>	<u>QTY.</u>	<u>REMARKS</u>
1	M3213001802	CONTROL BOX	1	
1-1	0330000210	EDGING	2	
1-2	0330000280	EDGING	1	
1-3	0330000340	EDGING	2	
2	0601808827	CIRCUIT BREAKER, 3P 350A	1	
2-1	0342604120	HEX SOCKET HEAD CAP SCREW	6	
3	0021006080	MACHINE SCREW	4	
4	0601823863	RELAY UNIT	2	
5	7538070	MACHINE SCREW	4	REPLACES P/N 0027104016
6	0601820602	AUTOMATIC VOLTAGE REGULATOR	1	
7	0027105016	MACHINE SCREW	4	
8	0601801124	CURRENT TRANSFORMER	3	
9	011206020	HEX HEAD BOLT 6X20.....	6	REPLACES P/N 0027106020
10	0601820847	OVER CURRENT RELAY	1	
11	0601820848	OVER CURRENT RELAY	1	
12	7538070	MACHINE SCREW	2	REPLACES P/N 0027104016
12A	OEMAA8	HEX NUT.....	2	REPLACES P/N 0207004000
13	0601802218	HOLDER, FUSE	1	
13A	0601806671	FUSE, 15A	3	
14	0027103016	MACHINE SCREW	2	
15	0601815153	TERMINAL	1	
16	0027104020	MACHINE SCREW	2	
17	8121468300	SENSOR, INLET AIR TEMP.....	1	REPLACES P/N 0603210240
18	M3260500503	SET PANEL, ELECTRIC PARTS	1	
19	0016906016	HEX HEAD BOLT	4	
20	8980710280	CONTROLLER.....	1	REPLACES P/N 0602202686
21	M3260500604	BRACKET	1	
22	0016906016	HEX HEAD BOLT	4	
23	0601831205	PUSH BUTTON SWITCH	1	
24	0601831330	DIAGONASTIC SWITCH	1	
25	0016906016	HEX HEAD BOLT	4	
26	0601821370	RECTIFIER	1	REPLACES P/N 0601823240
27	0027104030	MACHINE SCREW	1	
28	LY2DUS12VDC	RELAY	2	REPLACES P/N 0601827656
28A	PTF08A	BASE.....	2	REPLACES P/N 0601823109
28B	PYCA1	CLIP	4	REPLACES P/N 0601824400
29	0027104020	MACHINE SCREW	4	
30	8972177780	SENSOR, BAROMETRIC PRESSURE	1	REPLACES P/N 0602130220
31	7538070	MACHINE SCREW	2	REPLACES P/N 0027104016
32	5825530444	RELAY, STARTER.....	1	REPLACES P/N 0602201402
35	0027105016	MACHINE SCREW	3	
36	8970119490	RELAY, GLOW PLUG.....	1	REPLACES P/N 0602202685
37	0027105016	MACHINE SCREW	2	
38	M3213500704	CONTROL BOX COVER	1	
39	0016906016	HEX HEAD BOLT	8	
40	M3270100504	SELECTOR SWITCH	1	
40A	M3550002504	DECAL: SELECTOR SWITCH NUMBER	1	
40B	M3550002604	DECAL: SELECTOR SWITCH NUMBER	1	
41	M3213602704	SWITCH BRACKET	1	

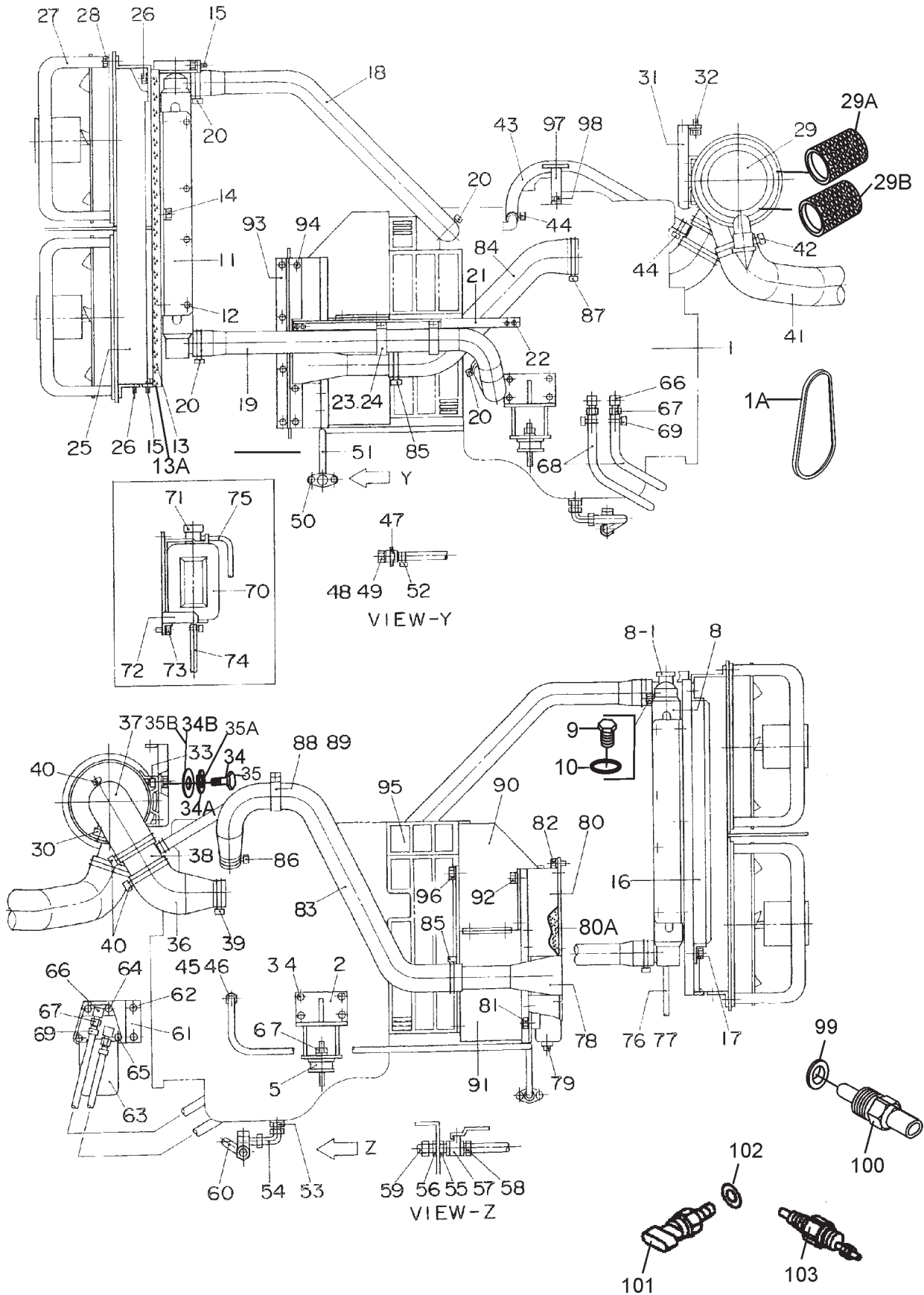
CONTROL BOX ASSY. (CONTINUED)



CONTROL BOX ASSY. (CONTINUED)

<u>NO.</u>	<u>PART NO.</u>	<u>PART NAME</u>	<u>QTY.</u>	<u>REMARKS</u>
42	M3213602804	SWITCH BRACKET	1	
43	0027104035	MACHINE SCREW	4	
43A	OEMAA8	HEX NUT	4	
44	7538070	MACHINE SCREW	4	REPLACES P/N 0027104016
44A	OEMAA8	HEX NUT	4	
45	0016906016	HEX HEAD BOLT	4	
46	M3213602604	SWITCH COVER	1	
46-1	0317700180	WEATHER STRIP	1	
47	M3213602504	SWITCH COVER	1	
48	0016906016	HEX HEAD BOLT	10	
49	011008020	HEX HEAD BOLT	10	REPLACES P/N 0019208020
49A	0040508000	TOOTHED WASHER	1	
50	M3223001203	CONTROL PANEL	1	
51	0601807641	FREQUENCY METER, 45~65Hz 240V	1	
52	0601808988	AC AMMETER, 0~200A/400A:5A	1	
53	0601801040	CHANGE OVER SWITCH, AMMETER	1	
54	0601806859	AC VOLTMETER, 0~600V	1	
55	0601801041	CHANGE OVER SWITCH, VOLTMETER	1	
56	0601840073	RHEOSTAT (VR), 2W 1K OHM	1	
57	0601840100	KNOB	1	REPLACES P/N 0601840121
58	0602202641	CONTROLLER, ECU (CAN77)	1	
59	0027104040	MACHINE SCREW	2	
59A	OEMAA8	HEX NUT	2	
60	82608	SWITCH	1	REPLACES P/N 0601831340
61	0602103092	ALARM LAMP	3	
61A	0601810245	BULB, DC 18V	3	
62	0602120095	TACHOMETER	1	
63	0602122093	OIL PRESSURE GAUGE	1	
64	0602123090	WATER TEMPERATURE GAUGE	1	
65	0602121081	CHARGING AMMETER	1	
67	9826800370	PANEL LIGHT	1	REPLACES P/N 0601810141
68	0601831330	SWITCH, PANEL LIGHT	1	
69	0601831395	SWITCH, ENGINE SPEED	1	
70	M1223100004	STOPPER	1	
71	M3223100004	STOPPER	1	
72	0027105010	MACHINE SCREW	4	
73	0027105010	MACHINE SCREW	4	
74	M9220100004	SET SCREW	2	
75	0080200007	SNAP RING	2	
76	0602122272	UNIT, OIL PRESSURE	1	
77	M9200100004	ADAPTER	1	
78	8943998582	ADAPTER.....	1	REPLACES P/N 0602020220
79	0602123260	UNIT, WATER TEMPERATURE	1	
80	9095720140	PACKING.....	1	REPLACES P/N 0602021109
81	0602120465	PICK UP, TACHOMETER	1	
82	0601806644	FUSE, 30A	1	
83	0601806640	FUSE, 65A	1	
84	M3246703004	WIRE HARNESS. GENERATOR	1	
85	M3357202002	WIRE HARNESS, ENGINE	1	
86	M3357201802	WIRE HARNESS, CONTROLLER	1	

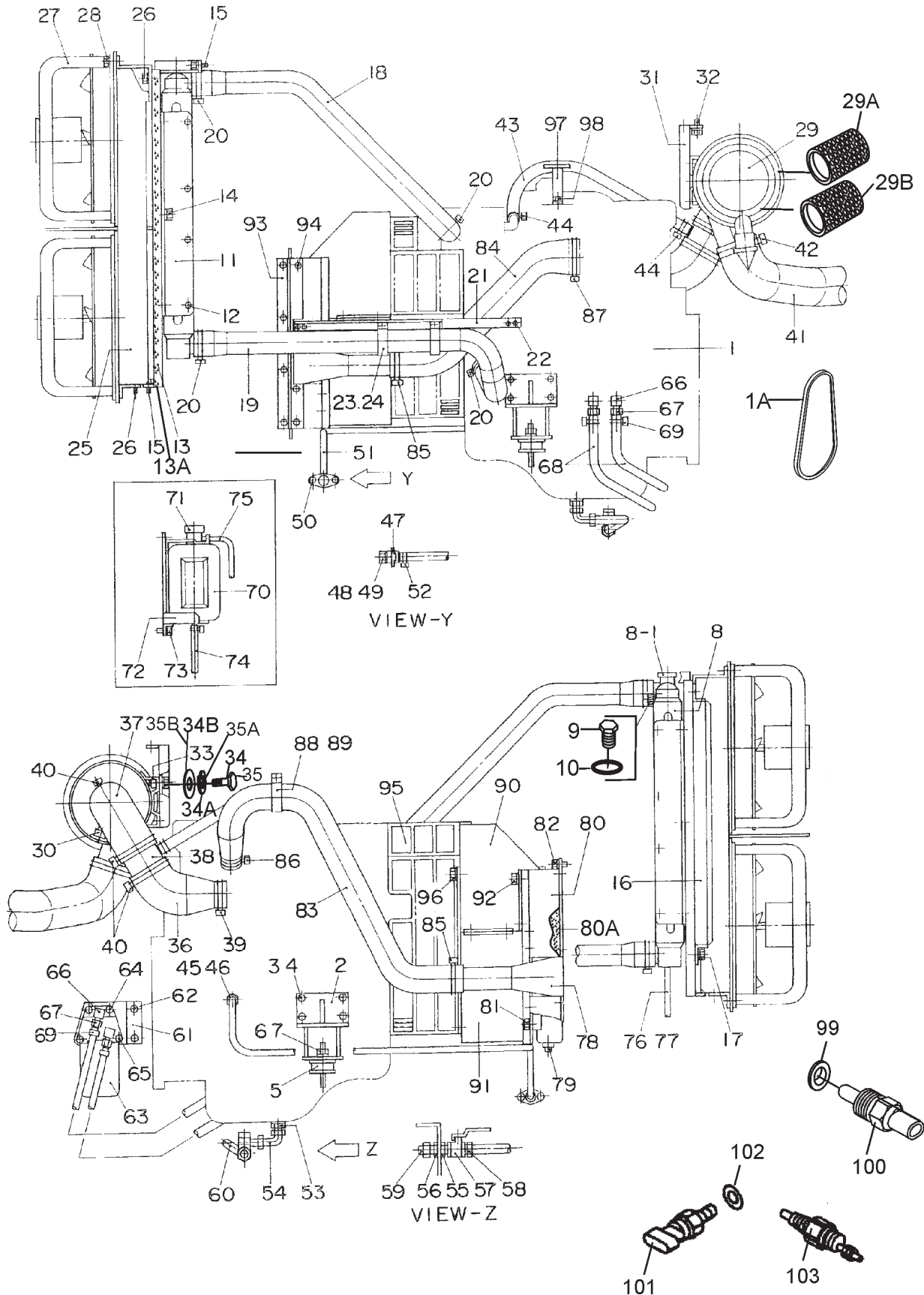
ENGINE AND RADIATOR ASSY.



ENGINE AND RADIATOR ASSY.

<u>NO.</u>	<u>PART NO.</u>	<u>PART NAME</u>	<u>QTY.</u>	<u>REMARKS</u>
1	M3923200144	ENGINE, ISUZU 4HK1X	1	
1A	8980627130	FAN BELT	1	REPLACES P/N 0602015253
2	M3303200603	ENGINE FOOT	2	
3	0105091025	HEX HEAD BOLT	8	REPLACES P/N 0105091025
4	0040010000	WASHER, LOCK	8	
5	060500060	RUBBER SUSPENSION	2	
6	0030012000	HEX NUT	2	
7	0040012000	WASHER, LOCK	2	
8	M3923200114	RADIATOR	1	
8-1	0602011029	CAP	1	
9	M9200100904	PLUG	1	
10	0150000016	O-RING	1	
11	M3310202904	RADIATOR BRACKET	2	
12	011008020	HEX HEAD BOLT	8	REPLACES P/N 0019208020
13	M3310202803	RADIATOR BRACKET	1	
13A	M3493114104	ACOUSTIC SHEET	1	
14	0016910025	HEX HEAD BOLT	6	
15	0016910025	HEX HEAD BOLT	4	
16	M3310202104	RADIATOR BRACKET	1	
17	011008020	HEX HEAD BOLT	2	REPLACES P/N 0019208020
18	M3310502603	RADIATOR HOSE, UPPER	1	
19	M3310502703	RADIATOR HOSE, LOWER	1	
20	0605515148	HOSE BAND	1	
21	M3310600303	HOSE SUPPORT	1	
22	0016906016	HEX HEAD BOLT	4	
23	M3310600204	HOSE BRACKET	2	
24	011206020	HEX HEAD BOLT	2	REPLACES P/N 0016906020
25	M3310203003	FAN BRACKET	1	
26	0016910025	HEX HEAD BOLT	4	
27	M1924200004	FAN MOTOR	2	
28	0016910025	HEX HEAD BOLT	8	
29	0602046258	AIR CLEANER	1	
29A	0602046684	ELEMENT, AIR CLEANER, OUTER	1	
29B	P777639	ELEMENT, AIR CLEANER, INNER.....	1	REPLACES P/N 0602046685
30	0602040650	INDICATOR, AIR CLEANER	1	
31	M3373200204	BRACKET AIR CLEANER	1	
32	011008020	HEX HEAD BOLT	2	REPLACES P/N 0019208020
33	0602040596	BAND, AIR CLEANER	2	
34	011008020	HEX HEAD BOLT	4	REPLACES P/N 0019208020
35	020108060	HEX NUT.....	4	REPLACES P/N020108060
36	M3373101203	HOSE, AIR CLEANER	1	
37	M3373101103	HOSE, AIR CLEANER	1	
38	M3326100140	BLOW BY PIPE	1	
39	0605515146	HOSE BAND	1	

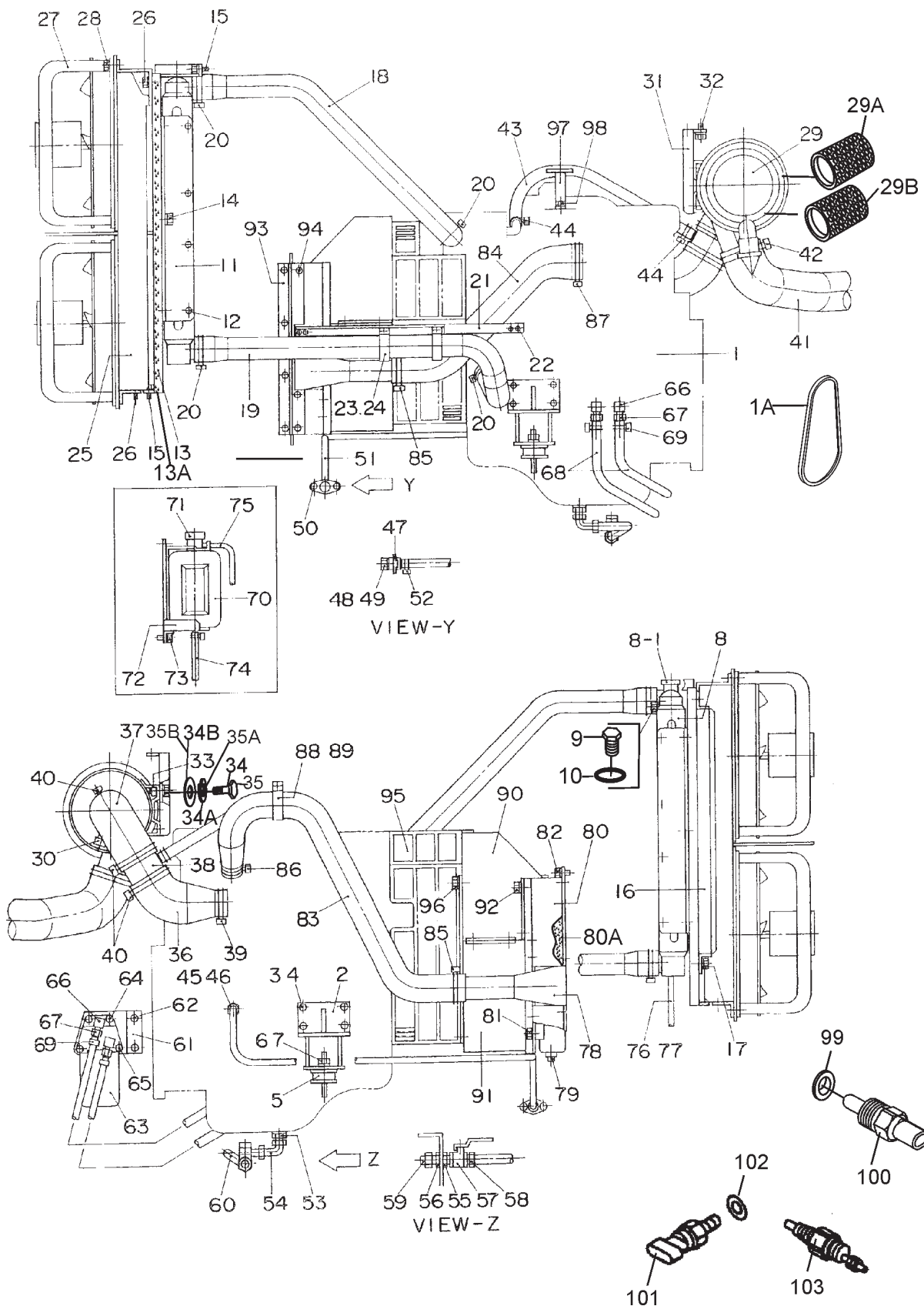
ENGINE AND RADIATOR ASSY. (CONTINUED)



ENGINE AND RADIATOR ASSY. (CONTINUED)

<u>NO.</u>	<u>PART NO.</u>	<u>PART NAME</u>	<u>QTY.</u>	<u>REMARKS</u>
40	0605515197	HOSE BAND	3	
41	M3373100903	AIR DUCT HOSE	1	
42	0605515197	HOSE BAND	1	
43	0191701050	BLOW BY HOSE	1	
44	0605515149	HOSE BAND	2	
45	M9100000204	HOSE JOINT	1	
46	0602021731	SEAL WASHER	1	
47	7812014003B	DRAIN JOINT	1	REPLACES P/N M2320300103
48	0802011104	PLUG.....	1	REPLACES P/N M9200200004
49	0150000018	O-RING	1	
50	011206020	HEX HEAD BOLT	2	REPLACES P/N 0016906020
51	0199102250	DRAIN HOSE	1	
52	0605515170	HOSE BAND	2	REPLACES P/N 0605515106
53	0602022581	ADAPTER	1	
54	0602022561	90 DEGREE ELBOW	1	
55	0603306590	CONNECTOR	1	
56	0603300285	LOCKNUT	1	
57	0605511395	VALVE	1	
58	0603306395	HOSE JOINT	1	
59	0602021070	CAP	1	
60	0269200800	DRAIN HOSE	1	
61	M3323500004	BRACKET, OIL FILTER	1	
62	0016910025	HEX HEAD BOLT	2	
63	8973243861	OIL FILTER.....	1	REPLACES P/N 0602041007
63A	1132402322	CARTRIDGE, OIL FILTER	1	REPLACES P/N 0602041221
64	0010110120	HEX HEAD BOLT	2	
64A	0040010000	WASHER, LOCK	2	
64B	031110160	WASHER, FLAT	2	REPLACES P/N 0041210000
65	0010110150	HEX HEAD BOLT	2	
65A	0040010000	WASHER, LOCK	2	
65B	031110160	WASHER, FLAT	2	REPLACES P/N 0041210000
66	0602022530	ADAPTER	4	
67	0602022930	HOSE JOINT	4	
68	0379001250	HOSE	2	
69	0605515198	HOSE BAND	4	
70	0802081003C	RESERVE TANK, 5L	1	REPLACES P/N M9300000203
71	0802010900	CAP, RESERVE TANK.....	1	REPLACES P/N 0602010900
72	M3316100303	BRACKET, RESERVE TANK	1	
73	011008020	HEX HEAD BOLT	3	REPLACES P/N 0019208020
74	0199102100	HOSE	1	
75	0193600700	HOSE	1	
76	0193601000	HOSE	1	
77	0605515170	HOSE BAND	3	REPLACES P/N 0605515106
78	M3923200124	INTERCOOLER	1	
78A	M3490202004	ACOUSTIC SHEET	1	
79	0132004000	PLUG, 3/8	1	

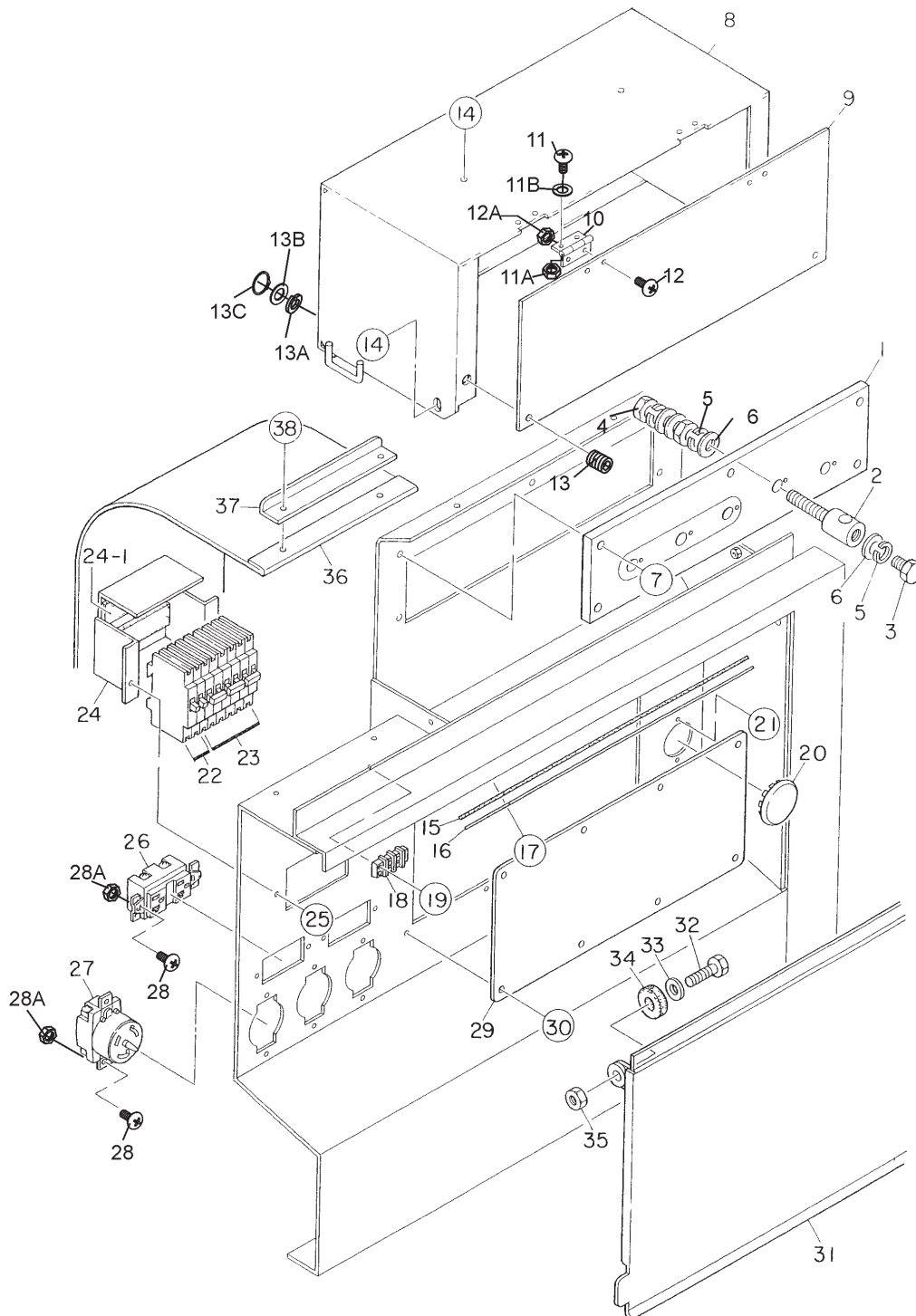
ENGINE AND RADIATOR ASSY. (CONTINUED)



ENGINE AND RADIATOR ASSY. (CONTINUED)

<u>NO.</u>	<u>PART NO.</u>	<u>PART NAME</u>	<u>QTY.</u>	<u>REMARKS</u>
80	M3310202603	BRACKET, INTER COOLER	1	
80A	M3493114504	ACOUSTIC SHEET	2	
81	012210020	HEX HEAD BOLT	8	REPLACES P/N 0017110020
82	0016906016	HEX HEAD BOLT	12	
83	M3310502803	COOLER HOSE	1	
84	M3310502903	COOLER HOSE	1	
85	0605515208	HOSE BAND	2	
86	0605515204	HOSE BAND	1	
87	0605515207	HOSE BAND	1	
88	M3310600404	HOSE BRACKET	1	
89	011206020	HEX HEAD BOLT	1	REPLACES P/N 0016906020
90	M3310303803	FAN SHROUD	1	
91	M3310303903	FAN SHROUD	1	
92	011206020	HEX HEAD BOLT	8	REPLACES P/N 0016906020
93	M3310304104	BRACKET, FAN SHROUD	1	
94	0016906016	HEX HEAD BOLT	8	
95	M3310304003	FAN GUARD	1	
96	011206020	HEX HEAD BOLT	6	REPLACES P/N 0016906020
97	M3326200204	BLOWBY HOSE BRACKET	1	
98	011008020	HEX HEAD BOLT	1	REPLACES P/N 0019208020
99	9095720140	PACKING SENSOR WATER TEMP.	1	
100	8121468300	SENSOR, WATER TEMPERATURE	1	
101	8980274560	SENSOR, OIL PRESSURE	1	
102	1096300850	GASKET, SENSOR OIL PRESSURE	1	
103	8971256011	SWITCH, OVERHEAT	1	

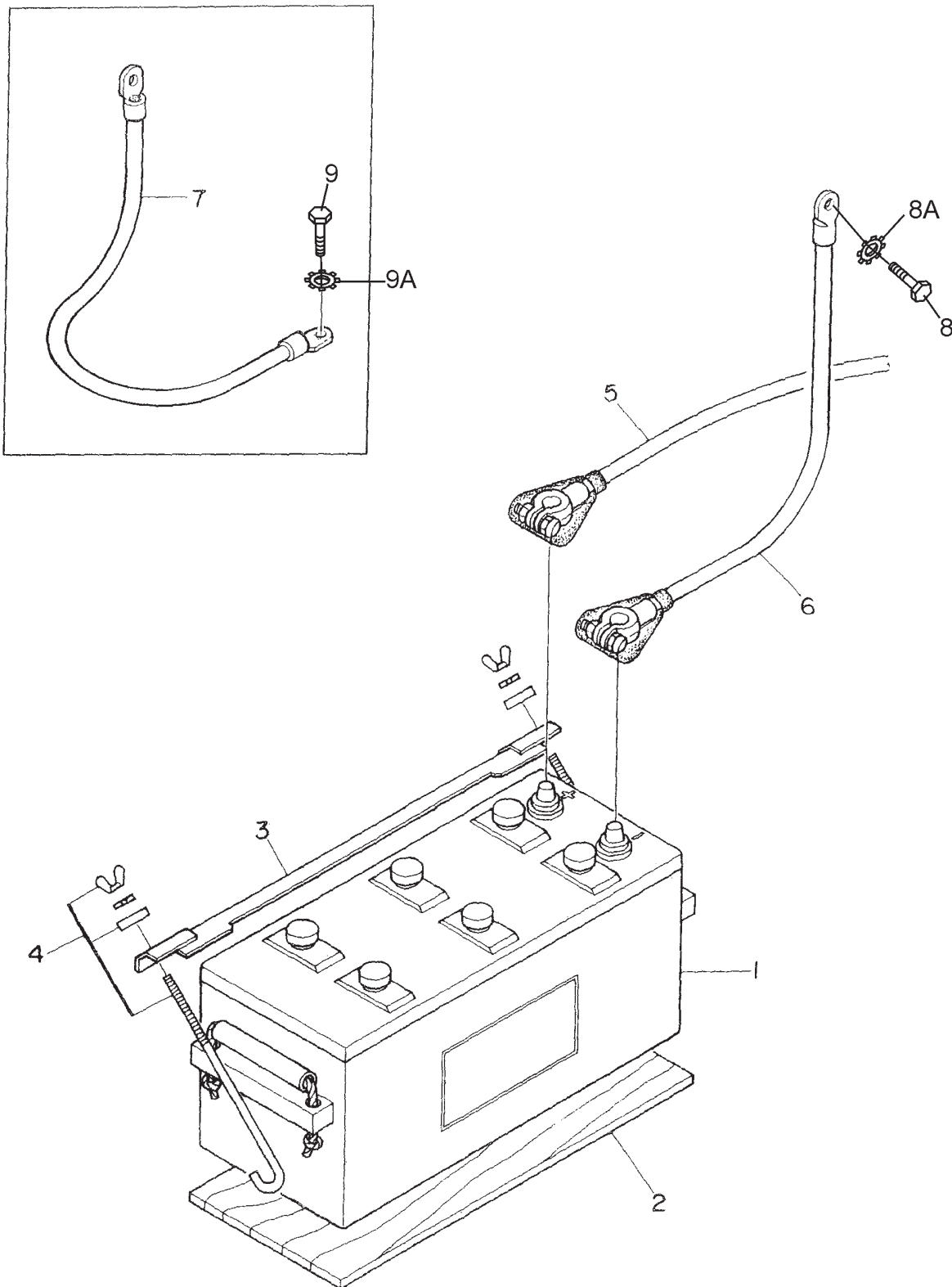
OUTPUT TERMINAL ASSY.



OUTPUT TERMINAL ASSY.

<u>NO.</u>	<u>PART NO.</u>	<u>PART NAME</u>	<u>QTY.</u>	<u>REMARKS</u>
1	M3230700003	TERMINAL BOARD	1	
2	M9220100304	OUTPUT TERMINAL BOLT	5	
3	0801830804	TIE BOLT.....	5	REPLACES P/N M9220100404
4	0039316000	HEX NUT	10	
5	0040016000	WASHER, LOCK	15	
6	0401450160	WASHER, FLAT	20	REPLACES P/N 0041416000
7	0012108035	HEX HEAD BOLT	5	REPLACES P/N 0016908035
8	M3236100803	TERMINAL COVER	1	
9	M3236100404	OUTPUT WINDOW	1	
10	0605010040	HINGE	2	
11	0027103010	MACHINE SCREW	4	
11A	0207003000	HEX NUT.....	4	REPLACES P/N 0030003000
11B	58413	WASHER, FLAT	4	REPLACES P/N 0041203000
12	0027103010	MACHINE SCREW	4	
12A	0207003000	HEX NUT.....	4	REPLACES P/N 0030003000
13	M9220100804	SET SCREW	2	
13A	0040006000	WASHER, LOCK	2	
13B	952404470	WASHER, FLAT	2	
13C	0080200005	RETAINING RING	2	
14	0016906016	HEX HEAD BOLT	4	
15	M3236400004	CABLE, OUTLET COVER	1	
16	M3236300004	SUPPORTER, CABLE OUTLET COVER	1	
17	011206020	HEX HEAD BOLT	6	REPLACES P/N 0016906020
18	0601815194	TERMINAL BLOCK	1	
19	7538070	MACHINE SCREW	2	REPLACES P/N 0027104016
20	0603306775	BLIND PLUG	2	
21	7538070	MACHINE SCREW	4	REPLACES P/N 0027104016
22	0601870440	CIRCUIT BREAKER, 1P 20A	2	
23	0601870441	CIRCUIT BREAKER, 2P 50A	3	
24	M1260700504	BREAKER, FITTING COVER	1	
24-1	0222100100	CUSHION RUBBER	2	
25	011206020	HEX HEAD BOLT	2	REPLACES P/N 0016906020
26	0601812597	RECEPTACLE, GF530EM 125V 20Ax2.....	2	REPLACES P/N 0601812598
27	0601811034	RECEPTACLE, CS6369 250V 50A.....	3	REPLACES P/N 0601812538
28	7538070	MACHINE SCREW	10	REPLACES P/N 0027104016
28A	OEMAA8	HEX NUT	10	
29	M3236400204	COVER	1	
30	0016906016	HEX HEAD BOLT	8	
31	M3236100213	TERMINAL COVER	1	
32	012212045	HEX HEAD BOLT	2	REPLACES P/N 012212045
33	031112230	WASHER, FLAT	2	
34	0805009804	STAY RUBBER.....	2	REPLACES P/N M9310200004
35	0030012000	HEX NUT	2	
36	M4236100604	COVER	1	
37	M4236400304	BRACKET	1	
38	0016906016	HEX HEAC BOLT	2	

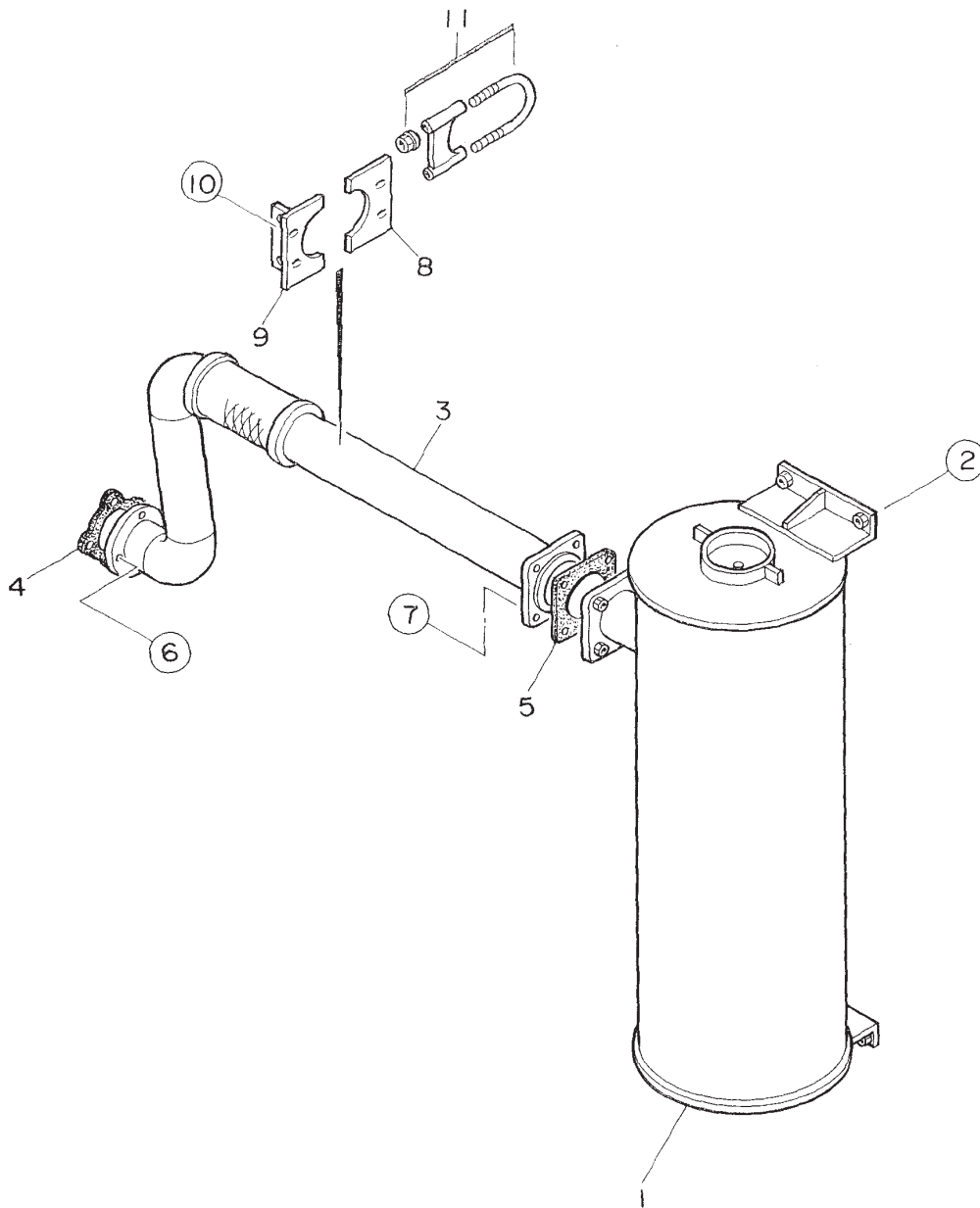
BATTERY ASSY.



BATTERY ASSY.

<u>NO.</u>	<u>PART NO.</u>	<u>PART NAME</u>	<u>QTY.</u>	<u>REMARKS</u>
1	0602220198	BATTERY	1	
2	M9310500404	BATTERY SHEET	1	
3	M9103000504	BATTERY BAND	1	
4	0602220921	BATTERY BOLT SET	2	
5	M3346901604	BATTERY CABLE	1	
6	M3346901504	BATTERY CABLE	1	
7		CABLE.....	1	MAKE LOCALLY
8	012010030	HEX HEAD BOLT	1	REPLACES P/N 0017110030
8A	0040510000	TOOTHED WASHER	1	
9	011008020	HEX HEAD BOLT	1	REPLACES P/N 0019208020
9A	0040508000	TOOTHED WASHER	1	

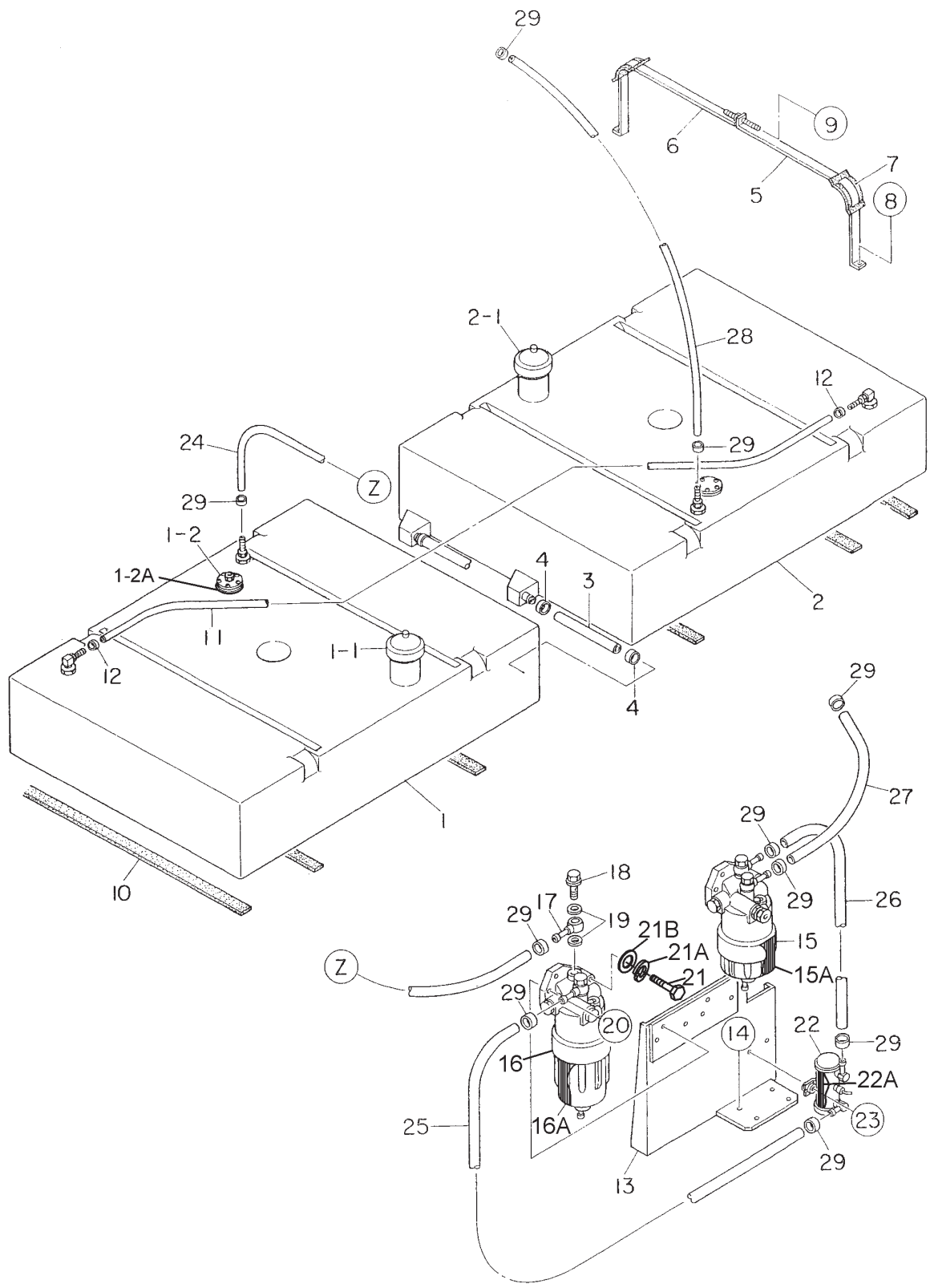
MUFFLER ASSY.



MUFFLER ASSY.

<u>NO.</u>	<u>PART NO.</u>	<u>PART NAME</u>	<u>QTY.</u>	<u>REMARKS</u>
1	M3330101002	MUFFLER	1	
2	012212030	HEX HEAD BOLT	4	REPLACES P/N 0017112030
3	M3333001603	EXHAUST PIPE	1	
4	141451840	GASKET	1	REPLACES P/N 0602320108
5	M3333200304	GASKET	1	
6	0039308000	HEX NUT	8	
7	0017110050	HEX HEAD BOLT	4	
8	M3330401104	COVER	1	
9	M3330401003	BRACKET	1	
10	011008020	HEX HEAD BOLT	4	REPLACES P/N 0019208020
11	0602326061	U-BOLT SET	1	

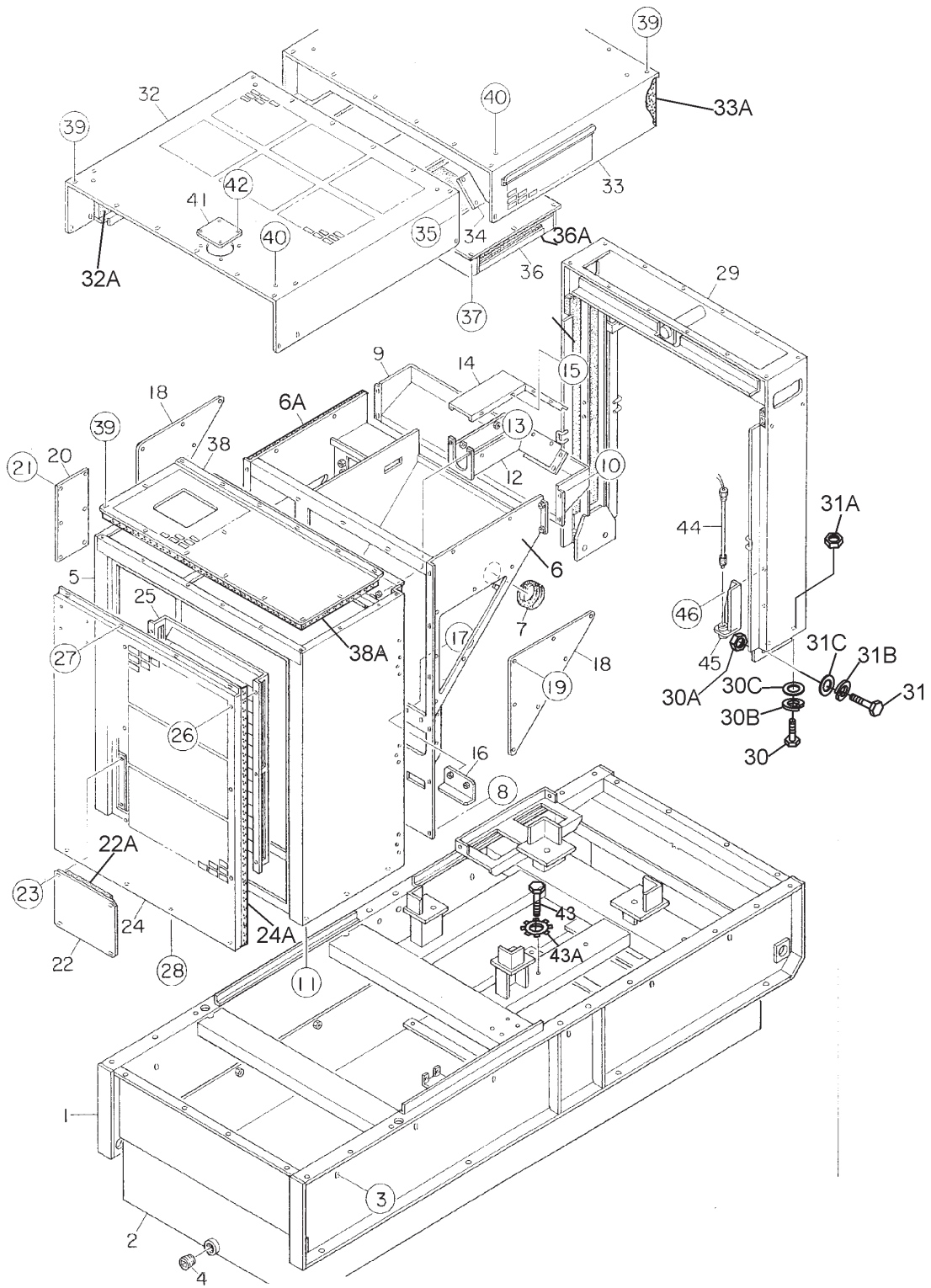
FUEL TANK ASSY.



FUEL TANK ASSY.

<u>NO.</u>	<u>PART NO.</u>	<u>PART NAME</u>	<u>QTY.</u>	<u>REMARKS</u>
1	M3363001402	FUEL TANK	1	
1-1	0605505070	FUEL TANK CAP	1	
1-2	0605501074	FUEL SENDER UNIT	1	
1-2A	0605516090	GASKET	1	
2	M3363001504	FUEL TANK	1	
2-1	0605505070	FUEL TANK CAP	1	
3	0191700260	CONNECT HOSE	2	
4	0605515134	HOSE BAND	4	
5	M3363200404	TANK BAND	4	
6	M3363200904	TANK BAND	4	
7	M9310500104	SUPPORTER SHEET	8	
8	011008020	HEX HEAD BOLT	8	REPLACES P/N 0019208020
9	0207008000	HEX NUT	8	
10	0222101000	TANK SHEET	6	
11	0191302500	VENT HOSE	1	
12	0605515109	HOSE BAND	2	
13	M3366700203	FUEL FILTER BRACKET	1	
14	011008020	HEX HEAD BOLT	4	REPLACES P/N 0019208020
15	8980139861	FUEL FILTER (MAIN).....	1	REPLACES P/N 0602042426
15A	8981430410	ELEMENT, FUEL FILTER.....	1	REPLACES P/N 8980088400
16	8980758551	FUEL FILTER (PRE.)	1	REPLACES P/N 8980758550
16A	8980742880	ELEMENT, FUEL FILTER.....	1	REPLACES P/N 8980758540
17	8973834270	JOINT PIPE	4	REPLACES P/N 0602042661
18	1096750951	JOINT BOLT	4	REPLACES P/N 0602042621
19	1096300860	PACKING.....	8	REPLACES P/N 0602042641
20	0017110040	HEX HEAD BOLT	4	
21	0010110080	HEX HEAD BOLT	2	
21A	0040010000	WASHER, LOCK	2	
21B	031110160	WASHER, FLAT	2	REPLACES P/N 0041210000
22	8980682750	FUEL FEED PUMP	1	REPLACES P/N 0602023240
22A	8980714010	FUEL FILTER	1	REPLACES P/N 0602042517
23	011606025	HEX HEAD BOLT	2	REPLACES P/N 0016906025
24	0191301790	SUCTION HOSE	1	
25	0191300800	SUCTION HOSE	1	
26	0191300230	SUCTION HOSE	1	
27	0191300850	SUCTION HOSE	1	
28	0191300750	RETURN HOSE	1	
29	0605515109	HOSE BAND	10	

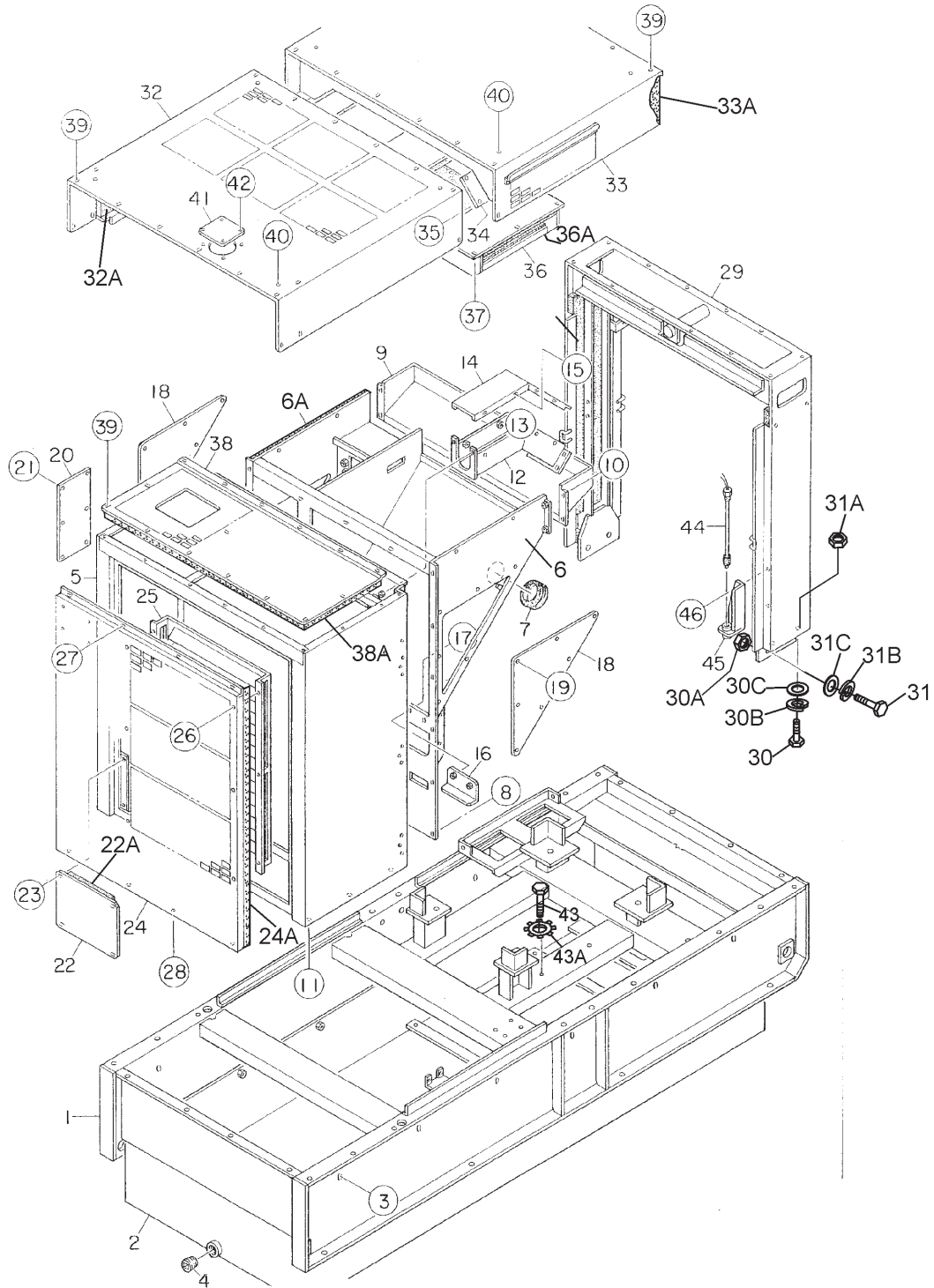
ENCLOSURE ASSY. PART 1.



ENCLOSURE ASSY. PART1.

<u>NO.</u>	<u>PART NO.</u>	<u>PART NAME</u>	<u>QTY.</u>	<u>REMARKS</u>
1	M3413002502	BASE	1	
2	M3363300303	ENVIROMENTAL TANK	1	
3	0016910030	HEX HEAD BOLT	12	
4	0603306797	PLUG, 1-1/2	1	
5	M3423002802	FRONT FRAME	1	
5A	M3493114403	ACOUSTIC SHEET	1	
6	M3423002902	FRONT FRAME	1	
6A	M3493114403	ACOUSTIC SHEET	1	
7	0601851765	GROMMET	1	
8	011008020	HEX HEAD BOLT	27	REPLACES P/N 0019208020
9	M3423003003	FRONT FRAME	1	
10	011008020	HEX HEAD BOLT	8	REPLACES P/N 0019208020
11	0016910025	HEX HEAD BOLT	6	
12	M3310400403	HOSE COVER	1	
13	011206020	HEX HEAD BOLT	7	REPLACES P/N 0016906020
14	M3310400304	HOSE COVER	1	
15	011206020	HEX HEAD BOLT	8	REPLACES P/N 0016906020
16	M3423500204	BRACKET	1	
17	011008020	HEX HEAD BOLT	2	REPLACES P/N 0019208020
18	M3423200704	DUCT COVER	2	
19	011206020	HEX HEAD BOLT	14	REPLACES P/N 0016906020
20	M3310302704	SHROUD BRACKET	1	
21	0016906016	HEX HEAD BOLT	6	
22	M3423300304	DISCHARGE GUIDE	1	
22A	M3493113704	ACOUSTIC SHEET	1	
23	011008020	HEX HEAD BOLT	4	REPLACES P/N 0019208020
24	M3423202603	COVER FRONT FRAME	1	
24A	M3493111803	ACOUSTIC SHEET	1	
25	M3423202403	FRONT LOUVER	1	
26	0019206016	HEX HEAD BOLT	6	
27	011008020	HEX HEAD BOLT	4	REPLACES P/N 0019208020
28	011008020	HEX HEAD BOLT	4	REPLACES P/N 0019208020
29	M3433001402	CENTER FRAME	1	
29A	M3493201304	ACOUSTIC SHEET	1	
30	0010114040	HEX HEAD BOLT	4	
30A	515455840	HEX NUT	4	REPLACES P/N 0030014000
30B	030214350	WASHER, LOCK.....	4	REPLACES P/N 0040014000
30C	0041220000	WASHER, FLAT	8	
31	0010120050	HEX HEAD BOLT	4	
31A	0030020000	HEX NUT	4	
31B	030220510	WASHER, LOCK.....	4	REPLACES P/N 0040020000
31C	0041220000	WASHER, FLAT	8	
32	M3463101503	ROOF PANEL	1	
32A	M3493509204	ACOUSTIC SHEET	1	

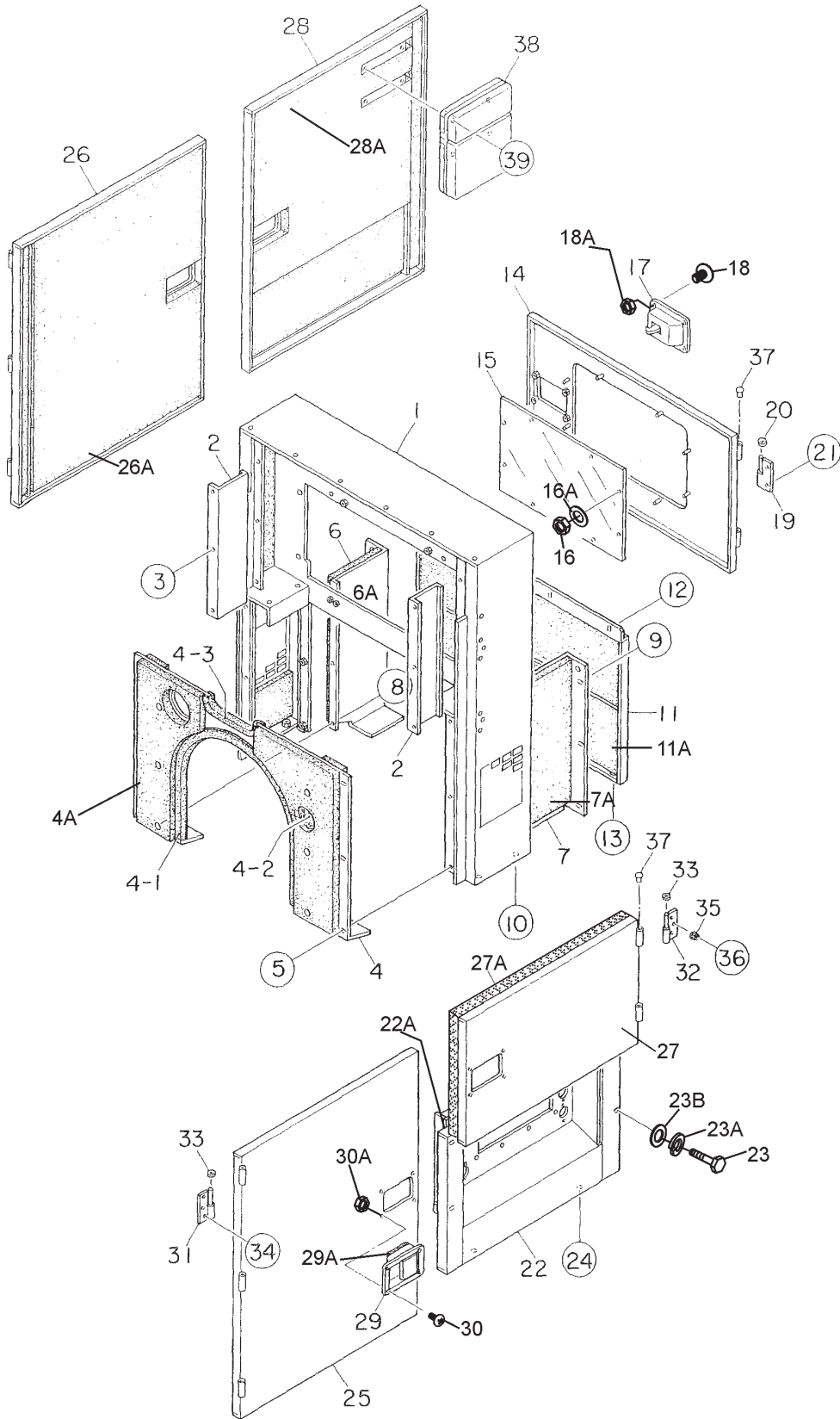
ENCLOSURE ASSY. PART 1 (CONTINUED)



ENCLOSURE ASSY. PART 1 (CONTINUED)

<u>NO.</u>	<u>PART NO.</u>	<u>PART NAME</u>	<u>QTY.</u>	<u>REMARKS</u>
33	M3463202202	ROOF PANEL	1	
33A	M3493509303	ACOUSTIC SHEET	1	
34	M3463201104	BACK PLATE	2	
35	0016906016	HEX HEAD BOLT	12	
36	M3463202303	DUCT	1	
36A	M3493506004	ACOUSTIC SHEET	1	
37	011008020	HEX HEAD BOLT	8	REPLACES P/N 0019208020
38	M3423202704	OVER COVER, FRONT FRAME	1	
38A	M3493108004	ACOUSTIC SHEET	1	
39	011008020	HEX HEAD BOLT	51	REPLACES P/N 0019208020
40	0017110025	HEX HEAD BOLT	8	REPLACES P/N 0019210025
41	M3310600004	COVER, RADIATOR CAP	1	
42	011008020	HEX HEAD BOLT	4	REPLACES P/N 0019208020
43	011008020	HEX HEAD BOLT	1	REPLACES P/N 0019208020
43A	0040508000	TOOTHED WASHER	1	
44	0605503062	FUEL LEAK DETECTED SWITCH	1	
45	M1414800104	BRACKET	1	
46	011008020	HEX HEAD BOLT	2	REPLACES P/N 0019208020

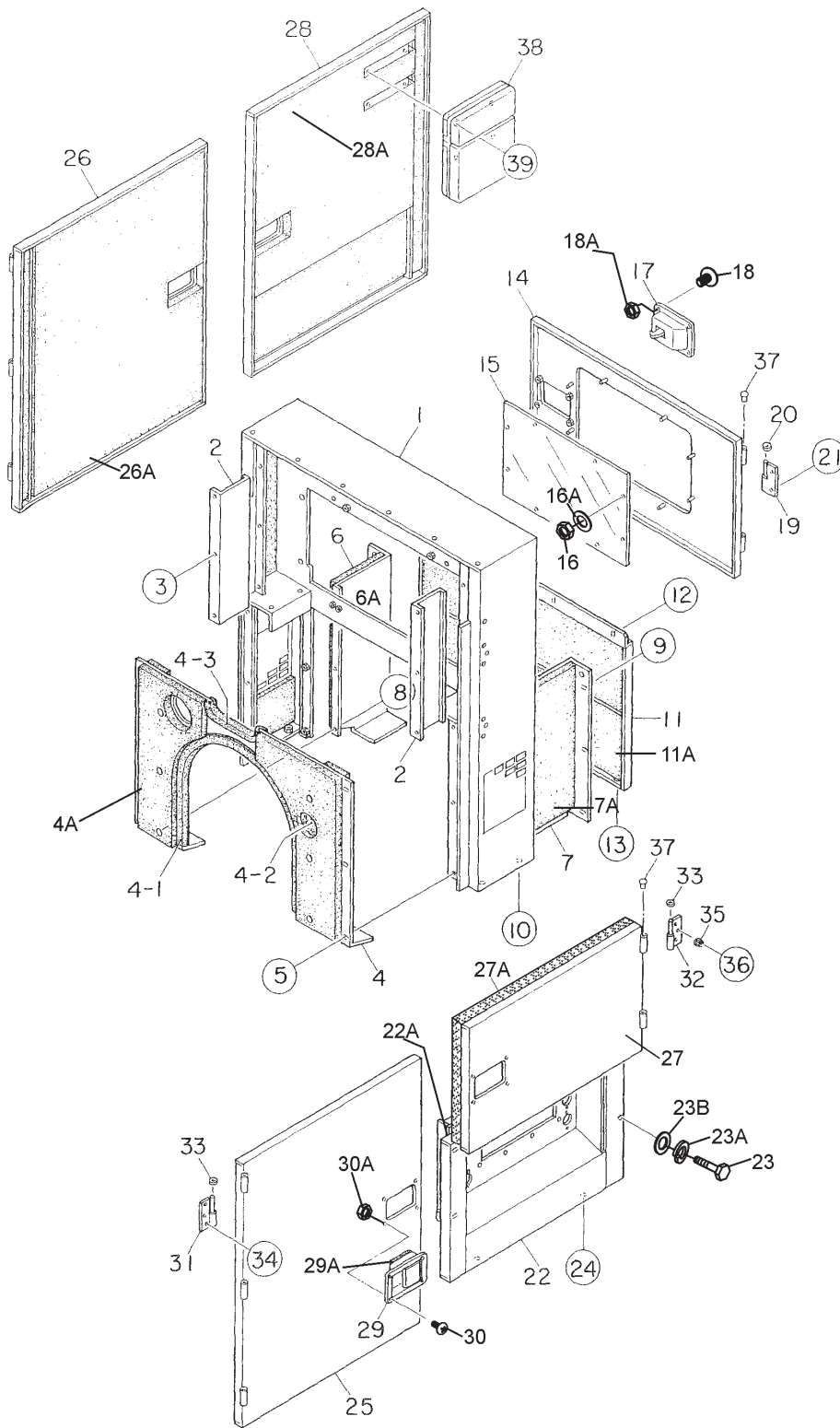
ENCLOSURE ASSY. PART 2.



ENCLOSURE ASSY. PART 2.

<u>NO.</u>	<u>PART NO.</u>	<u>PART NAME</u>	<u>QTY.</u>	<u>REMARKS</u>
1	M3443001902	REAR FRAME	1	
1A	M3493308603	ACOUSTIC SHEET	1	
2	M3443002004	DUCT	2	
3	011008020	HEX HEAD BOLT	6	REPLACES P/N 0019208020
4	M3443400103	PANEL, REAR FRAME	1	
4A	M3493308904	ACOUSTIC SHEET	1	
4-1	0314501550	RUBBER SEAL	1	
4-2	0330000250	EDGING	1	
4-3	0330000325	EDGING	1	
5	011008020	HEX HEAD BOLT	6	REPLACES P/N 0019208020
6	M3443002103	DUCT	1	
6A	M3493308804	ACOUSTIC SHEET	1	
7	M3443002203	DUCT	1	
7A	M3443008804	ACOUSTIC SHEET	1	
8	011008020	HEX HEAD BOLT	6	REPLACES P/N 0019208020
9	011008020	HEX HEAD BOLT	6	REPLACES P/N 0019208020
10	0016910025	HEX HEAD BOLT	4	
11	M3443301803	COVER, REAR FRAME	1	
11A	M3493308704	ACOUSTIC SHEET	2	
12	011008020	HEX HEAD BOLT	4	REPLACES P/N 0019208020
13	011008020	HEX HEAD BOLT	4	REPLACES P/N 0019208020
14	M3443200803	DOOR, REAR FRAME	1	
15	M3443600304	WINDOW PLATE	1	
16	0207306000	HEX NUT	8	
16A	952404470	WASHER, FLAT	8	
17	B9114000002	DOOR HANDLE ASSY	1	REPLACES P/N M9113000002
18	0021806016	MACHINE SCREW	4	
18A	020106050	HEX NUT	4	REPLACES P/N 0030006000
19	M9110100204	HINGE	2	
20	M9116100004	WASHER	2	
21	011008020	HEX HEAD BOLT	3	REPLACES P/N 0019208020
22	M3453201702	SPLASHER PANEL	1	
22A	M3493426704	ACOUSTIC SHEET	1	
23	0019104065	HEX HEAD BOLT	4	
23A	0042308000	WASHER, LOCK	4	
23B	0042408000	WASHER, FLAT	4	
24	0016910025	HEX HEAD BOLT	2	
25	M3453005303	SIDE DOOR	1	
25A	M3493426504	ACOUSTIC SHEET	1	
26	M3453005403	SIDE DOOR	1	
26A	M3493426504	ACOUSTIC SHEET	1	
27	M3453002703	SIDE DOOR	1	
27A	M3493417204	ACOUSTIC SHEET	1	
28	M3453005503	SIDE DOOR	1	
28A	M3493426604	ACOUSTIC SHEET	1	

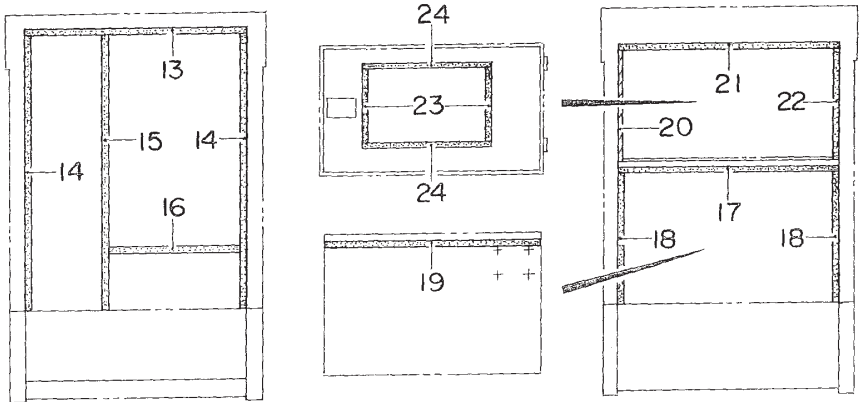
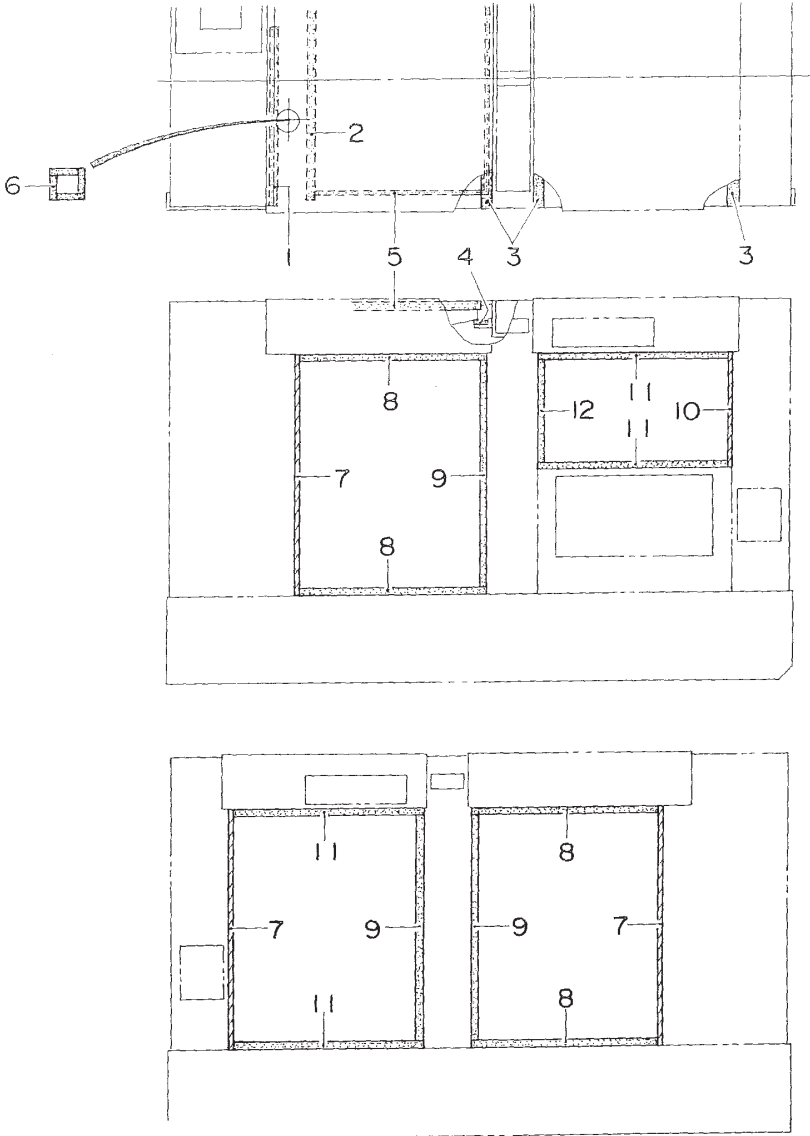
ENCLOSURE ASSY. PART 2 (CONTINUED)



ENCLOSURE ASSY. PART 2 (CONTINUED)

<u>NO.</u>	<u>PART NO.</u>	<u>PART NAME</u>	<u>QTY.</u>	<u>REMARKS</u>
29	B9114000002	DOOR HANDLE ASSY	4	REPLACES P/N M9113000002
29A	C9312500004	SEAL RUBBER	4	
30	0021806016	MACHINE SCREW	16	
30A	020106050	HEX NUT.....	16	REPLACES P/N 0030006000
31	0845046904	HINGE	6	REPLACES P/N M9110100804
32	0845047004	HINGE	5	REPLACES P/N M9110100904
33	M9116100004	WASHER	11	
34	011008020	HEX HEAD BOLT	26	REPLACES P/N 0019208020
35	0601850097	STOPPER	8	
36	0027208025	MACHINE SCREW	8	
37	M9310000004	CAP	13	
38	0600800320	MANUAL PAK	1	
39	0021806016	MACHINE SCREW	4	

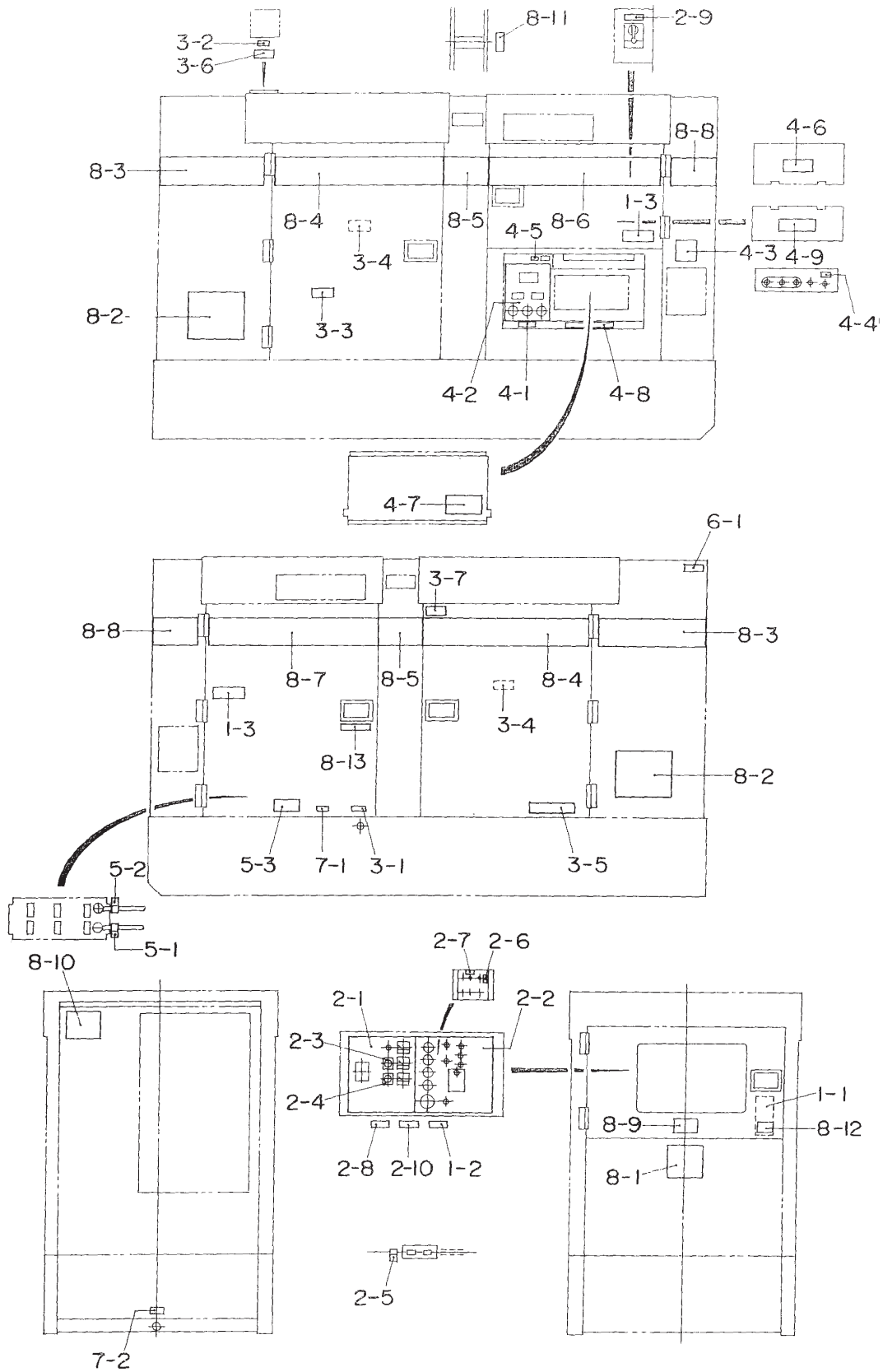
RUBBER SEALS ASSY.



RUBBER SEALS ASSY.

<u>NO.</u>	<u>PART NO.</u>	<u>PART NAME</u>	<u>QTY.</u>	<u>REMARKS</u>
1	0229200870	RUBBER SEAL	1	
2	0229201130	RUBBER SEAL	1	
3	0229201240	RUBBER SEAL	3	
4	0228901070	RUBBER SEAL	1	
5	0314502700	RUBBER SEAL	1	
6	0229200125	RUBBER SEAL	4	
7	0228901165	RUBBER SEAL	3	
8	0228900925	RUBBER SEAL	4	
9	0228901105	RUBBER SEAL	3	
10	0228900565	RUBBER SEAL	1	
11	0228900945	RUBBER SEAL	4	
12	0228900505	RUBBER SEAL	1	
13	0229201090	RUBBER SEAL	1	
14	0229201335	RUBBER SEAL	2	
15	0228901335	RUBBER SEAL	1	
16	0228900655	RUBBER SEAL	1	
17	0229201090	RUBBER SEAL	1	
18	0228100630	RUBBER SEAL	2	
19	0229401080	RUBBER SEAL	1	
20	0228800565	RUBBER SEAL	1	
21	0228801080	RUBBER SEAL	1	
22	0228800545	RUBBER SEAL	1	
23	0228100370	RUBBER SEAL	2	
24	0228100640	RUBBER SEAL	2	

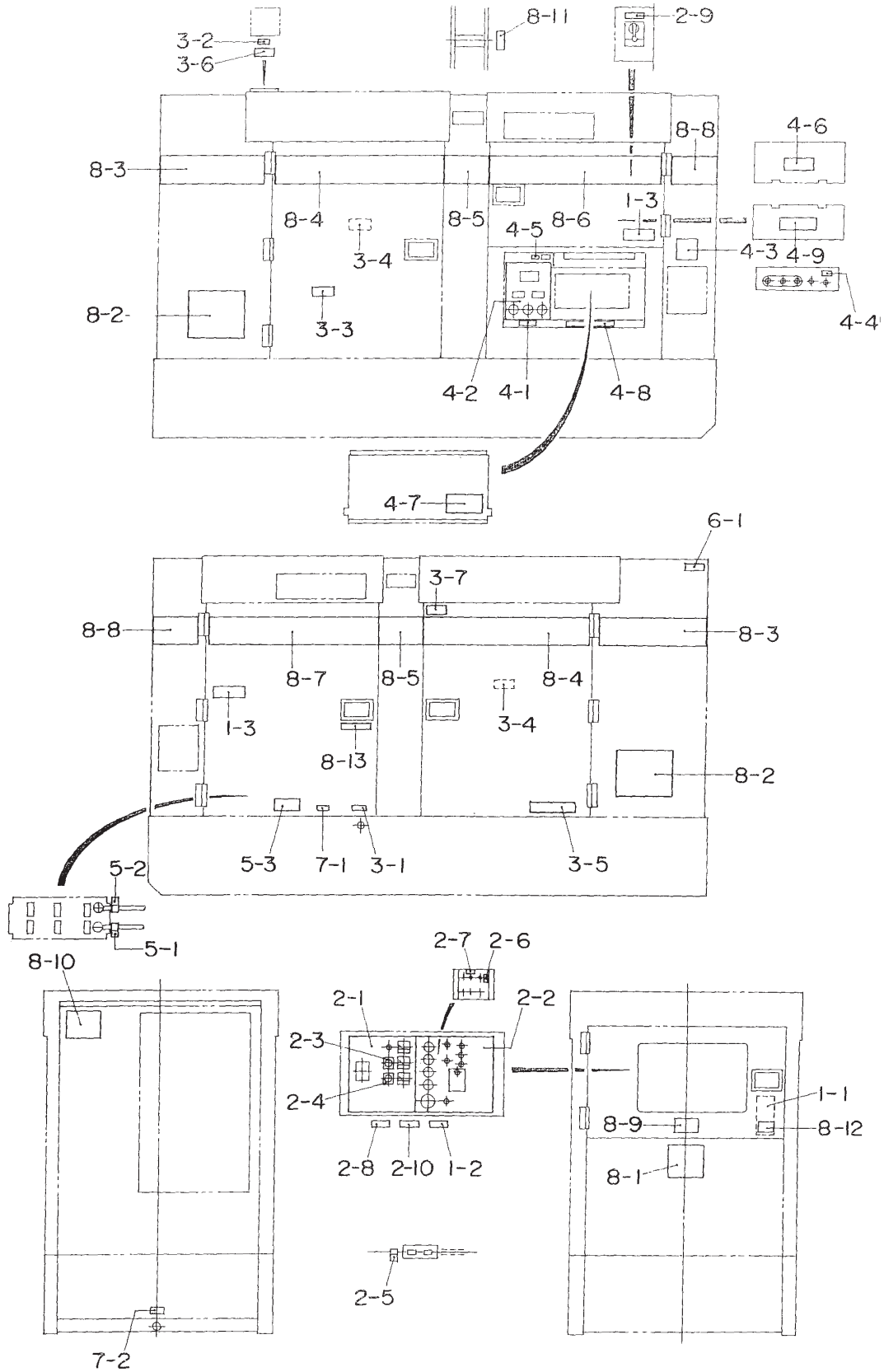
NAMEPLATE AND DECALS ASSY.



NAMEPLATE AND DECALS ASSY.

<u>NO.</u>	<u>PART NO.</u>	<u>PART NAME</u>	<u>QTY.</u>	<u>REMARKS</u>
1-1	M3550003003	DECAL : OPERATING PROCEDURES.....	1	M35000300A
1-2	M9520100304	DECAL : SAFETY INSTRUCTIONS.....	1	M92010030
1-3	M9520100603	DECAL : CAUTION.....	2	M92010060
CONTROL BOX GROUP				
2-1	M3550003503	DECAL : CONTROL PANEL.....	1	M35000350
2-2	M3550003603	DCEAL : OPERATING PANEL.....	1	M35000360
2-3	M9520000104	PLATE : AMMETER CHANGE- OVER SWITCH.....	1	M92000010
2-4	M9520000204	PLATE : VOLTMETER CHANGE- OVER SWITCH....	1	M92000020
2-5	M9520000804	DECAL : AC.....	1	M92000080
2-6	M9520000904	DECAL : DIAGNOSTIC SWITCH.....	1	M92000090
2-7	M9520001104	DECAL : DIAGNOSTIC BUTTON.....	1	M92000110
2-8	M9520100004	DECAL : WARNING ELECTRIC SHOCK HAZZARD	1	M92010000
2-9	M9520100204	DECAL : CAUTION.....	1	M92010020A
2-10	M9520200404	DECAL : OVER CURRENT RELAY.....	1	M92020040
ENGINE & RADIATOR GROUP				
3-1	M9500000004	DECAL : OIL DRAIN PLUG.....	1	M90000000
3-2	M9500100004	DECAL : WATER.....	1	M90010000
3-3	M9500100304	DECAL : INTER-COOLER DRAIN.....	1	M90010030
3-4	M9503000004	DECAL : WARNING MOVING PARTS.....	2	M90300000
3-5	M9503000103	DECAL : WATER - OIL CHECK.....	1	M90300010
3-6	M9503100004	DECAL : WARNING HOT COOLANT.....	1	M90310000
3-7	M9510100004	DECAL : CAUTION HOT PARTS.....	1	M91010000
OUTPUT TERMINAL GROUP				
4-1	M1550000204	DECAL : NOTE.....	1	M15000020
4-2	M1550002203	DECAL : RECEPTACLE & CIRCUIT BREAKER.....	1	M15000220
4-3	M3550000004	DECAL : NOTE.....	1	M35000000
4-4	M9520000004	DECAL : GROUND.....	1	M92000000
4-5	M9520000504	DECAL : START CONTACT.....	1	M92000050
4-6	M9520100004	DECAL : WARNING ELECTRIC SHOCK HAZZARD	1	M92010000
4-7	M9520100404	DECAL : DANGER HIGH VOLTAGE.....	1	M92010040
4-8	M9520100503	DECAL : WARNING.....	1	M92010050
4-9	M9520200003	DECAL : OUTPUT TERMINAL.....	1	M92020000
BATTERY GROUP				
5-1	M9500300004	DECAL : -.....	1	M90030000
5-2	M9500300104	DECAL : +.....	1	M90030010
5-3	M9510100403	DECAL : CAUTION.....	1	M91010040
MUFFLER GROUP				
6-1	M9503200004	DECAL : WARNING ENGINE EXHAUST.....	1	M90320000

NAMEPLATE AND DECALS ASSY. (CONTINUED)



NAMEPLATE AND DECALS ASSY. (CONTINUED)

NO.	PART NO.	PART NAME	QTY.	REMARKS
		FUEL TANK GROUP		
7-1	M9500500004	DECAL : DIESEL FUEL.....	1	M90050000
7-2	M9510000004	DECAL : FUEL DRAIN PLUG	1	M91000000
		ENCLOSURE GROUP		
8-1	M9512200004	DECAL : MQ.....	1	M91220000
8-2	M9510200304	DECAL : MQ POWER	2	
8-3	M3560102004	STRIPE	2	
8-4	M3560102103	STRIPE : WHISPERWATT.....	2	
8-5	M3560102204	STRIPE	2	
8-6	M3560102303	STRIPE : 125.....	1	
8-7	M3560102403	STRIPE : 125.....	1	
8-8	M3560102504	STRIPE	2	
8-9	M9510100304	DECAL : ENVIRONMENTAL WARNING	1	M91010030
8-10	0600500092	PLATE : MQ POWER	1	
8-10A	0021106016	MACHINE SCREW.....	4	
8-11	M3550002204	DECAL : CAUTION.....	1	M35000220
8-12	M9503200104	DECAL : DANGER EXHAUST GAS	1	M90320010
8-13	M9510000104	DECAL : DOCUMENT BOX LOCATED	1	M91000010

TERMS AND CONDITIONS OF SALE — PARTS

PAYMENT TERMS

Terms of payment for parts are net 30 days.

FREIGHT POLICY

All parts orders will be shipped collect or prepaid with the charges added to the invoice. All shipments are F.O.B. point of origin. Multiquip's responsibility ceases when a signed manifest has been obtained from the carrier, and any claim for shortage or damage must be settled between the consignee and the carrier.

MINIMUM ORDER

The minimum charge for orders from Multiquip is \$15.00 net. Customers will be asked for instructions regarding handling of orders not meeting this requirement.

RETURNED GOODS POLICY

Return shipments will be accepted and credit will be allowed, subject to the following provisions:

1. A Returned Material Authorization must be approved by Multiquip prior to shipment.
2. To obtain a Return Material Authorization, a list must be provided to Multiquip Parts Sales that defines item numbers, quantities, and descriptions of the items to be returned.
 - a. The parts numbers and descriptions must match the current parts price list.
 - b. The list must be typed or computer generated.
 - c. The list must state the reason(s) for the return.
 - d. The list must reference the sales order(s) or invoice(s) under which the items were originally purchased.
 - e. The list must include the name and phone number of the person requesting the RMA.
3. A copy of the Return Material Authorization must accompany the return shipment.
4. Freight is at the sender's expense. All parts must be returned freight prepaid to Multiquip's designated receiving point.

5. Parts must be in new and resalable condition, in the original Multiquip package (if any), and with Multiquip part numbers clearly marked.
6. The following items are not returnable:
 - a. Obsolete parts. (If an item is in the price book and shows as being replaced by another item, it is obsolete.)
 - b. Any parts with a limited shelf life (such as gaskets, seals, "O" rings, and other rubber parts) that were purchased more than six months prior to the return date.
 - c. Any line item with an extended dealer net price of less than \$5.00.
 - d. Special order items.
 - e. Electrical components.
 - f. Paint, chemicals, and lubricants.
 - g. Decals and paper products.
 - h. Items purchased in kits.
7. The sender will be notified of any material received that is not acceptable.
8. Such material will be held for five working days from notification, pending instructions. If a reply is not received within five days, the material will be returned to the sender at his expense.
9. Credit on returned parts will be issued at dealer net price at time of the original purchase, less a 15% restocking charge.
10. In cases where an item is accepted, for which the original purchase document can not be determined, the price will be based on the list price that was effective twelve months prior to the RMA date.
11. Credit issued will be applied to future purchases only.

PRICING AND REBATES

Prices are subject to change without prior notice. Price changes are effective on a specific date and all orders received on or after that date will be billed at the revised price. Rebates for price declines and added charges for price increases will not be made for stock on hand at the time of any price change.

Multiquip reserves the right to quote and sell direct to Government agencies, and to Original Equipment Manufacturer accounts who use our products as integral parts of their own products.

SPECIAL EXPEDITING SERVICE

A \$35.00 surcharge will be added to the invoice for special handling including bus shipments, insured parcel post or in cases where Multiquip must personally deliver the parts to the carrier.

LIMITATIONS OF SELLER'S LIABILITY

Multiquip shall not be liable hereunder for damages in excess of the purchase price of the item with respect to which damages are claimed, and in no event shall Multiquip be liable for loss of profit or good will or for any other special, consequential or incidental damages.

LIMITATION OF WARRANTIES

No warranties, express or implied, are made in connection with the sale of parts or trade accessories nor as to any engine not manufactured by Multiquip. Such warranties made in connection with the sale of new, complete units are made exclusively by a statement of warranty packaged with such units, and Multiquip neither assumes nor authorizes any person to assume for it any other obligation or liability whatever in connection with the sale of its products. Apart from such written statement of warranty, there are no warranties, express, implied or statutory, which extend beyond the description of the products on the face hereof.

Effective: February 22, 2006

OPERATION AND PARTS MANUAL

HERE'S HOW TO GET HELP

PLEASE HAVE THE MODEL AND SERIAL
NUMBER ON-HAND WHEN CALLING

UNITED STATES

Multiquip Corporate Office

18910 Wilmington Ave.
Carson, CA 90746
Contact: mq@multiquip.com

Tel. (800) 421-1244
Fax (800) 537-3927

Service Department

800-421-1244
310-537-3700

Fax: 310-537-4259

Technical Assistance

800-478-1244

Fax: 310-943-2238

MQ Parts Department

800-427-1244
310-537-3700

Fax: 800-672-7877
Fax: 310-637-3284

Warranty Department

800-421-1244
310-537-3700

Fax: 310-943-2249

MEXICO

MQ Cipsa

Carr. Fed. Mexico-Puebla KM 126.5
Momoxpan, Cholula, Puebla 72760 Mexico
Contact: pmastretta@cipsa.com.mx

Tel: (52) 222-225-9900
Fax: (52) 222-285-0420

CANADA

Multiquip

4110 Industriel Boul.
Laval, Quebec, Canada H7L 6V3
Contact: jmartin@multiquip.com

Tel: (450) 625-2244
Tel: (877) 963-4411
Fax: (450) 625-8664

UNITED KINGDOM

Multiquip (UK) Limited Head Office

Unit 2, Northpoint Industrial Estate,
Globe Lane,
Dukinfield, Cheshire SK16 4UJ
Contact: sales@multiquip.co.uk

Tel: 0161 339 2223
Fax: 0161 339 3226

© COPYRIGHT 2011, MULTIQUIP INC.

Multiquip Inc, the MQ logo and the MQ Power logo are registered trademarks of Multiquip Inc. and may not be used, reproduced, or altered without written permission. All other trademarks are the property of their respective owners and used with permission.

This manual MUST accompany the equipment at all times. This manual is considered a permanent part of the equipment and should remain with the unit if resold.

The information and specifications included in this publication were in effect at the time of approval for printing. Illustrations, descriptions, references and technical data contained in this manual are for guidance only and may not be considered as binding. Multiquip Inc. reserves the right to discontinue or change specifications, design or the information published in this publication at any time without notice and without incurring any obligations.

Your Local Dealer is:

