

## Stroller Links INSTRUCTIONS

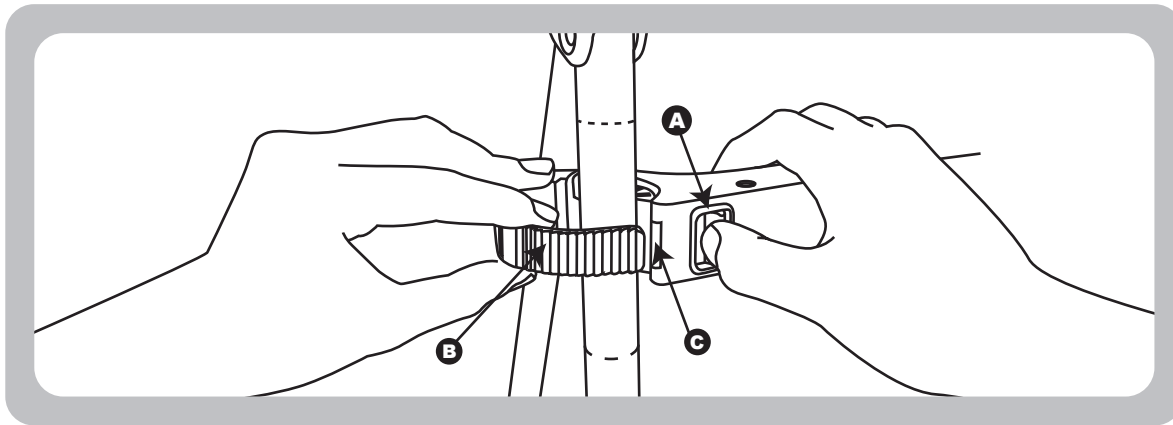


Figure 1

1. To open: Pull back button (A) on each link to allow for link to open fully
2. To close: Place link around stroller tubing and insert (B) into (C) until it tightens around the tubing

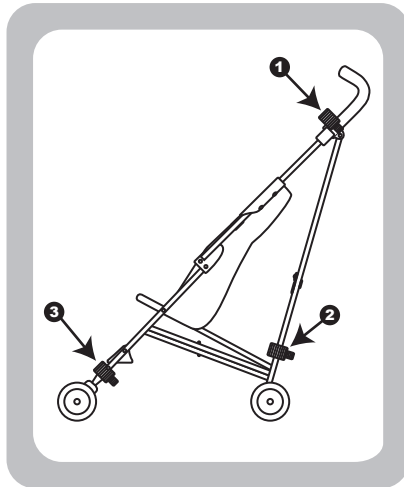


Figure 2

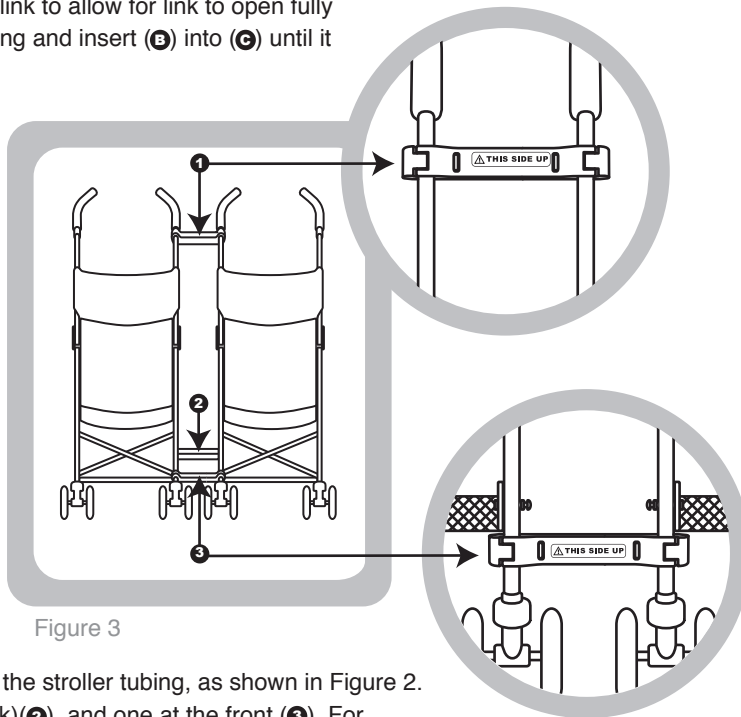


Figure 3

3. Stroller links should be fastened along the stroller tubing, as shown in Figure 2. One at top (1), one at the bottom (back) (2), and one at the front (3). For stability, links should be fastened as far away from each other as possible.
4. Make sure that links are fastened with the "This Side Up" sticker facing out. (Figure 3)
5. Stroller link near the front wheels should be installed as close as possible to the front wheels and away from your child's grasp. (Figure 3)

### ⚠ CAUTION

- This product is not a toy. Use for intended purpose only. Adult assembly only
- Keep out of reach of children.
- Stroller links accommodate stroller tubes of 15mm to 25 mm in diameter.
- Do not connect more than 2 strollers.
- Use two strollers of same size.
- Save instructions for future reference
- Always raise both strollers over steps or obstacles on ground to avoid accidental dislodgement of stroller links
- Regularly check condition of stroller links and discard if damaged or worn