



G-PROJECT™

G-BOOM

WIRELESS BOOMBOX



Rugged
Construction



Rechargeable
Battery



USB Device
Charging



G-PROJECT™

Welcome to G-PROJECT™

Thanks for purchasing a G-BOOM and joining the G-Project. With just the right combination of performance, durability, features, and style at the right price, our goal is to provide rugged speakers and accessories that fit your modern lifestyle. We hope you agree.

For more info, please visit our website at [**www.enterG-project.com**](http://www.enterG-project.com)

PACKAGE CONTENTS:

- G-BOOM Wireless Boombox
- AC Power Adapter
- 3.5mm Line In Audio Cable
- User Guide

G-BOOM

WIRELESS BOOMBOX

IMPORTANT SAFETY NOTIFICATIONS



CAUTION: TO REDUCE THE RISK OF ELECTRIC SHOCK, DO NOT REMOVE COVER (OR BACK). NO USER-SERVICEABLE PARTS INSIDE. REFER SERVICING TO QUALIFIED SERVICE PERSONNEL.



DANGEROUS VOLTAGE: The lightning flash with arrowhead symbol, within an equilateral triangle is intended to alert the user to the presence of uninsulated dangerous voltage within the product's enclosure that may be of sufficient magnitude to constitute a risk of electric shock to persons.



ATTENTION: The exclamation point within an equilateral triangle is intended to alert the user to the presence of important operating and maintenance (servicing) instructions in the literature accompanying the appliance.

NOTE: Any unapproved changes or modifications will void the warranty.



G-PROJECT™

FCC WARNING: This equipment may generate or use radio frequency energy. Changes or modifications to this equipment may cause harmful interference unless the modifications are expressly approved in the instruction manual. The user could lose the authority to operate this equipment if an unauthorized change or modification is made.

ATTENTION: POUR ÉVITER LES CHOC ÉLECTRIQUES, INTRODUIRE LA LAME LA PLUS LARGE DE LA FICHE DANS LA BORNE CORRESPONDANTE DE LA PRISES ET POUSSER JUSQU'AU FOND.

NOTE: This equipment has been tested and found to comply with the limits for a Class B digital device, pursuant to part 15 of the FCC Rules. These limits are designed to provide reasonable protection against harmful interference in a residential installation. This equipment generates, uses and can radiate radio frequency energy and, if not installed and used in accordance with the instructions, may cause harmful interference to radio communications. However, there is no guarantee that interference will not occur in a particular installation. If this equipment does cause harmful interference to radio or television reception, which can be determined by turning the equipment off and on, the user is encouraged to try to correct the interference by one or more of the following measures:

- Reorient or relocate the receiving antenna.
- Increase the separation between the equipment and receiver.
- Connect the equipment into an outlet on a circuit different from that to which the receiver is connected.
- Consult the dealer or an experienced radio/TV technician for help.

Compliance information: This device complies with Part 15 of the FCC Rules. Operation is subject to the following two conditions: (1) this device may not cause harmful interference, and (2) this device must accept any interference received, including interference that may cause undesired operation

WARNING: TO PREVENT FIRE OR SHOCK HAZARD, DO NOT EXPOSE THIS UNIT TO RAIN OR MOISTURE.

SURGE PROTECTORS: It is recommended to use a surge protector for AC connection. Lightning and power surges ARE NOT covered under warranty for this product.

This Class B digital apparatus complies with Canadian ICES-003. Cet appareil numérique de la classe B est conforme à la norme NMB-003 du Canada.

SAFETY PRECAUTIONS

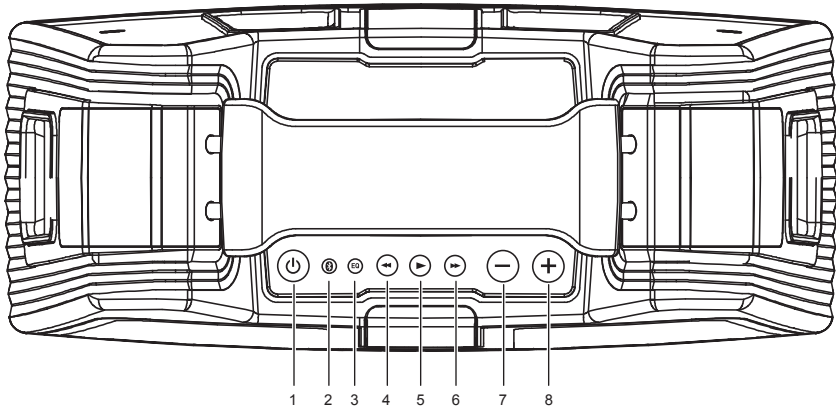
- a. Do not expose this unit or the AC/DC adaptor to dripping or splashing water. Keep liquid-filled objects, such as vases, away from this unit and AC/DC adaptor.
- b. Only use attachments / accessories specified by the manufacturer.
- c. Ensure that the AC/DC adaptor is easily accessible.
- d. Please note the information printed underneath the unit.
- e. Do not impede the ventilation of this unit by covering the ventilation openings with items such as newspapers, table-cloths, curtains, etc.
- f. Keep open flames, such as lighted candles, away from this unit.
- g. Do not place this unit in closed bookcases, racks, or other spaces without proper ventilation.
- h. Unplug this unit during lightning storms or when unused for long periods of time.
- i. This unit contains a built-in rechargeable battery. Disposal of these materials may be regulated due to environmental considerations. For disposal or recycling information, please contact your local authorities.
- j. Do not expose the battery to flames or dispose of it in a fire



G-PROJECT™

LOCATION OF CONTROLS

1. Power Button
2. Bluetooth (Pair) Button
3. EQ Button
4. Reverse Button
5. Play / Pause Button
6. Forward Button
7. Volume – Down Button
8. Volume + Up Button



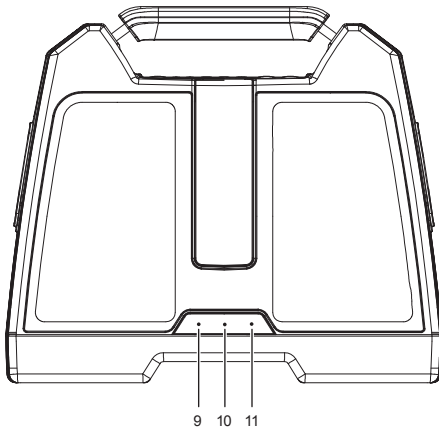
G-BOOM

WIRELESS BOOMBOX

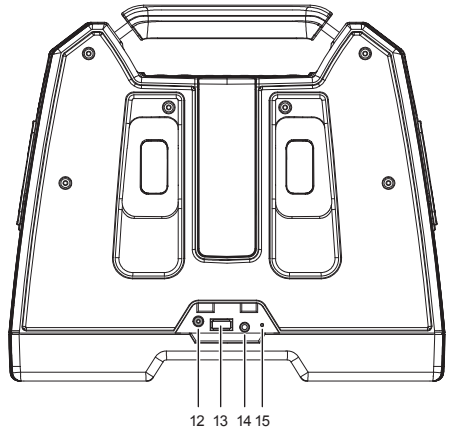
- 9. Power LED (White)
- 10. Charging and Low Battery LED (Red)
- 11. Bluetooth LED (Blue)

- 12. DC Power Input
- 13. USB Port
- 14. 3.5mm Aux input
- 15. Reset Button

FRONT



BACK





G-PROJECT™

INDICATORS

BLUETOOTH LED

When Bluetooth is in pairing mode, the Bluetooth LED will flash blue.
Once Bluetooth has paired successfully, the Bluetooth LED will turn solid blue.

POWER / CHARGING LED

The red and white LEDs indicate the following statuses:

Power Adapter	Battery	Power	White LED	Red LED	Status
Connected	Full	OFF	OFF	OFF	--
Connected	Not Full	OFF	OFF	ON	Battery charging
Connected	Full	ON	ON	OFF	--
Connected	Not Full	ON	ON	ON	Battery charging
Not Connected	Not Full	ON	ON	OFF	Using battery power
Not Connected	Low	ON	ON	Flash	Battery low
Not Connected	Empty	OFF	OFF	OFF	Power off, Cannot power on

G-BOOM

WIRELESS BOOMBOX

INDICATORS (con't)

The white LED flashes under following statuses:

- Play/Pause Button on G-Boom is pressed
- Forward Button or Reverse Button on G-Boom is pressed
- Volume Button on G-Boom is pressed
- EQ Setting indication

NOTE: The Forward and Reverse Button do NOT function when playing music through Line-in.

EQUALIZER (EQ)

There are 3 EQ presets: EQ1 = **Flat**, EQ2 = **Rock**, EQ3 = **Pop**

Press the EQ Button repeatedly to cycle through them. The white LED will flash 1, 2 or 3 times when the EQ Button is pressed to indicate preset EQ1, EQ2 or EQ3 respectively.

NOTE: The default setting is EQ1 (Flat)



G-PROJECT™

POWER SOURCE

Connect the supplied AC adaptor (DC 12V 2A) to the DC In jack on the back of your G-BOOM and plug the other end into a standard wall outlet (100~240V 50-60Hz).

NOTES: Disconnect both ends of the power cord when not in use. Use only the supplied AC adaptor with the following specs: AC In - 100-240V AC, 50/ 60Hz / DC Out - 12V 2A.

GETTING CHARGED UP

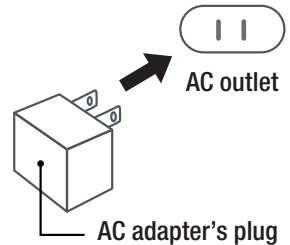
For first time use, charge the unit for about 6 hours.

After the initial charge, it takes up to 3.5 hours to charge.

Fully charged battery can operate for about ??? hours

NOTES:

- The battery is internal and cannot be replaced
- Actual battery life varies with use, settings, and environmental conditions
- Rechargeable batteries have a limited number of charge cycles
- Charge the rechargeable battery at least biannually



G-BOOM

WIRELESS BOOMBOX

BLUETOOTH OPERATION

You can stream audio wirelessly to your G-BOOM from up to 33' away using your iPhone, iPad, iPod, Android, laptop or other A2DP Bluetooth enabled device.

- 1 Press the Power Button to turn on your G-BOOM.
- 2 Then press the Pair Button. The blue LED on your G-BOOM will flash.
- 3 Turn on your A2DP Bluetooth device and enable Bluetooth.
- 4 Search for Bluetooth devices and select "G-BOOM". If asked for a password, enter '0000'.
- 5 The Blue LED on your G-BOOM will change from flashing to solid, indicating that your Bluetooth device is connected to your G-BOOM

NOTE: Press and hold the Pair Button for 3 seconds to disconnect the Bluetooth connection. Your G-BOOM will return to pairing mode and the Blue LED will flash.



G-PROJECT™

RECONNECTING YOUR BLUETOOTH DEVICES

Once your Bluetooth device has been paired with your G-BOOM, it is simple to reconnect them.

- 1 Make sure that your G-BOOM is powered on and within range.
- 2 Select “G-BOOM” from the list on your Bluetooth device.
- 3 The Blue LED on your G-BOOM will change from flashing to solid, indicating that your Bluetooth device is reconnected to your G-BOOM

NOTES: For best audio performance, turn the volume on your Bluetooth source device all the way up.

Your G-BOOM can only play audio from one source at a time. If your G-BOOM is connected to a Line In source, the Bluetooth will not function. Simply unplug the 3.5mm Line In audio cable and press the Pair Button to switch to Bluetooth (if necessary, select “G-BOOM” on your Bluetooth device).

LINE IN CONNECTION

You can also play audio from other devices using the included 3.5mm Line In Audio cable.

- 1 Press the Power Button to turn on your G-BOOM.
- 2 Insert one end of the 3.5mm audio cable into the Line In jack on the back of your G-BOOM.
- 3 Insert the other end of the 3.5mm audio cable into the Line Out or headphone jack of your external audio device (e.g. iPad, iPod shuffle, mobile phone, MP3 player, digital media player, etc.)

NOTE: For best audio performance and minimal distortion, avoid turning the volume on your audio source all the way up.

USB CHARGING PORT

This unit includes a USB port placed on the rear. The USB port supports powering and charging most devices including iPhones, iPads, iPods, E-readers, digital cameras and more. (USB cable sold separately).



G-PROJECT™

TROUBLESHOOTING

Issue	Solution
Distortion	Lower the volume on your G-BOOM and/or audio source
Not loud enough	Turn up the volume on your G-BOOM and/or audio source
Intermittent sound	Recharge the batteries using the included Power Adapter
	If using Bluetooth, move the audio source and G-BOOM closer together (within the 33' range)
	Unpair G-BOOM from your Bluetooth device (<i>check with your device manufacturer for more information about Bluetooth pairing</i>), then re-pair following the steps in the section BLUETOOTH OPERATION
Cannot play audio via Bluetooth	Confirm your device is A2DP Bluetooth compatible. Ensure that both your Bluetooth device and G-BOOM are not connected to any other devices
	If your G-BOOM is connected to a Line In source, the Bluetooth will not function. Unplug the 3.5mm Line In cable and press the Pair Button to switch to Bluetooth
	Unpair G-BOOM from your Bluetooth device (<i>check with your device manufacturer for more information about Bluetooth pairing</i>), then re-pair following the steps in the section BLUETOOTH OPERATION



G-PROJECT™

SPECIFICATIONS

Class 2 Bluetooth Ranges	33ft (10m)
Supported Bluetooth profile	A2DP
Power	2 x 9W <10% THD
Battery	7.4V, 1500mAh, Rechargeable Li-Polymer
Battery Playback Time	Up to ??? hours
Battery Recharging Time	~ 3.5 hours
Power Adaptor AC Input	100-240V 50-60Hz
Power Adaptor DC Output	12V 2A
USB Jack DC Power Output	5V 1A

NOTE: Specification are subject to change without notice.



G-PROJECT™

For further assistance, please visit our website at **www.enterG-project.com**
or contact customer service at **support@enterG-project.com** or **1-855-896-1795**

Life Lab International Ltd.