

# Martin Yale 1501 Paper Folder

**Parts List (SN 80000 and Above)**



Provided By

**MyBinding.com**  
*When Image Matters.*

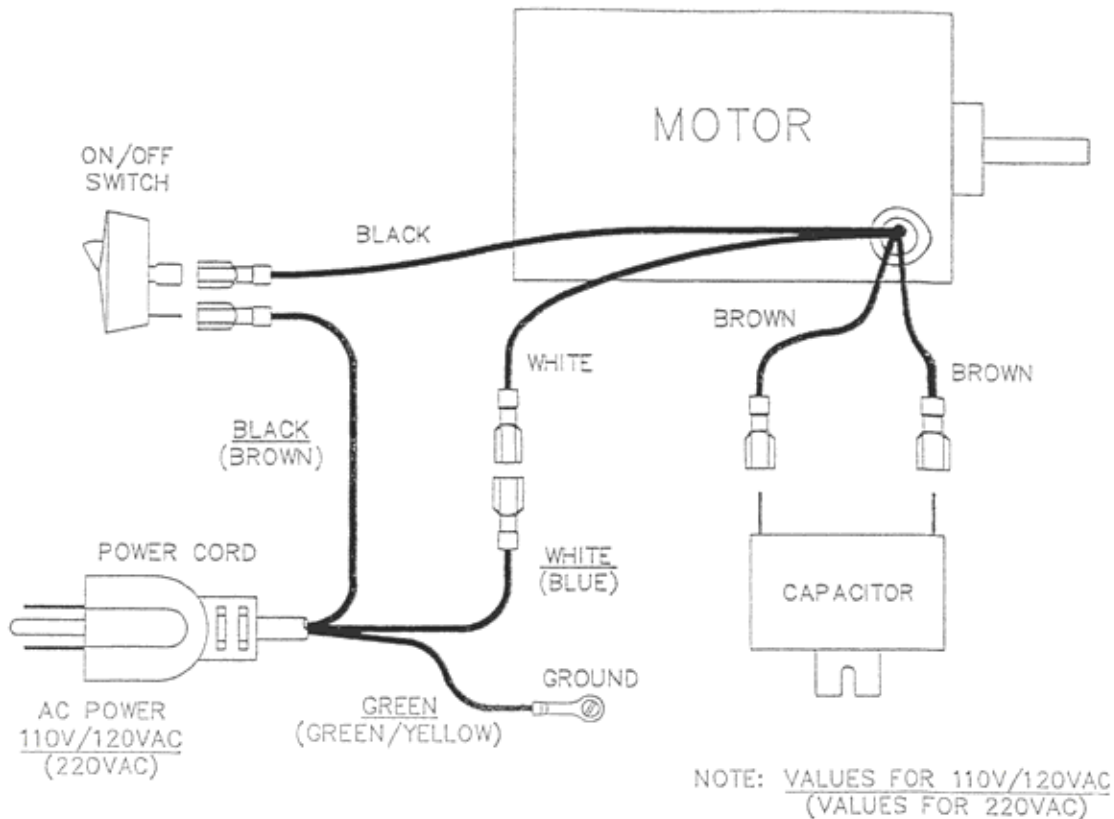
1501 Parts List  
Serial No. Above 80,000

<u>Ref. No.</u>	<u>Description</u>	<u>Part No.</u>	<u>Qty.</u>
1	Feed Table	W-A003508	1
2	Paper Guide (Left Side)	W-A01501L	1
3	Paper Guide Support Shaft	W-O001541	1
4	Retarder Roller Assembly	WRA003116	1
5	Paper Guide (Right Side)	W-A01501R	1
6	Nylon Bushing	M-O007509	6
7	Oilite Bushing	M-S013010	2
8	Feed Roller Shaft	W-O001540	1
9	Main Drive Roller (Long Journal)	WRA001530	1
10	Spring (Blue)	M-S031035	4
11	Main Frame (Left Side)	W-O001598	1
12	Feed Roller Rubber	M-O003548	1
13	Main Frame (Left Side)	W-O001598	1
14	Paper Guide Rollers	M-O003030	2
15	Indicator	W-O001534	2
16	Upper (1 <sup>st</sup> ) Fold Table Assembly	W-A001519	1
17	Ruler 1 <sup>st</sup> Fold	M-O001567	2
18	Fold Table Index Pins	M-O003104	3
19	Receiving Tray	W-O001596	1
20	Cover (Side)	W-O001504	2
21	Hand Fold Knob	M-S032009	1
22	115V Motor Capacitor	M-S045101	1
23	220V Motor Capacitor	M-S045102	1
24	Motor Guard	W-O001586	1
25	Pulley Flange	M-S022022	1
26	Pulley, 44T	M-S022019	1
27	Timing Belt 150XLO37	M-S025026	1
28	Motor Pulley, 15T	M-S022073	1
29	Main Frame (Right Side)	W-O001589	1
30	Motor, 115V, PSC Type	M-S021042	1
31	Tie Rods (2 <sup>nd</sup> Fold Table)	M-O001542	2
32	Motor, 220V, PSC Type	M-S021043	1
33	Paper Chute	W-O001585	1
34	2 <sup>nd</sup> Fold Table Assembly	W-A001520	1
35	Ruler 2 <sup>nd</sup> Fold (Right Side)	M-O001568	1
36	Screen Guard	W-O001587	1
37	Intermediate Rollers	WRA001532	3
38	Nyliner	M-S014027	2

39	Roller Guard, 220V Only	W-O001588	1
40	Cover, Non-op. Side	W-I001504	1
41	Left Side Bracket, 220V Only	W-O095280	1
42	On/Off Switch	M-S033045	1

NOT SHOWN

Gears (Left Side)	M-O003033	3
Pulley	M-O001591	1
Rubber Foot	M-S030021	2
Feed Table Only	W-I003508	1
Tapered Index Pin	M-O095242	1
Anti-Static Tinsel	W-A001509	1
R. Side Bracket(220V)	W-O095265	1
2 3/8 Pulley	M-O001591	1
Pulley, Steel 7/8	M-O007507	1
O-ring	M-S023001	1
Fan Blade	M-S037370	1
Paper Stop Bracket	W-O001507	2



MODEL 1501 WIRING DIAGRAM  
FOR 110V/120VAC (220VAC)

