

# Martin Yale 1217A Paper Folder

## Parts List



Provided By

**MyBinding**.com®  
*When Image Matters.*



# MARTIN YALE 1217A PARTS LIST



GBC IS AN ACCO BRANDS COMPANY



# 1217A Parts List

<u>Ref No.</u>	<u>Part No.</u>	<u>Qty.</u>	<u>Description</u>
1	W-A121708	1	Feed Table Assembly
2	W-A121732	1	Paper Guide Assembly, Left Side
3	W-O121728	1	Paper Guide Support Shaft
4A	WRA001516	1	Retarder Roller Assembly
4B	M-S007018	1	Retarder Adjusting Knob
5	W-A121733	1	Paper Guide Assembly, Right Side
6	M-S013009	6	Roller Bearing, Bronze
7	M-S013010	2	Roller Bearing, Bronze
8	W-O121721	1	Feed Roller Shaft
9	W-A121715	1	Main Drive Roller, Long Shaft
10	M-S031035	4	Paper Stop Knob
11	M-O003125	1	Feed Roller Arbor
12	M-O003548	1	Feed Roller Rubber
13	W-O001598	1	Main Frame, Left Side
14	M-O003030	2	Nylon Guide Roller
15A	W-O001534	2	Black Paper Stop Indicator Bar
15B	M-S032007	4	Paper Stop Knob
15C	W-O001507	2	Threaded Paper Stop Clamp Bar
16	W-A121704	1	Upper (1 <sup>st</sup> ) Fold Table Assembly
17	M-O001566	2	Ruler, 1 <sup>st</sup> Fold Table
18	W-A121702	1	Exit Table
19A	W-O121703	1	Conveyor Table
19B	M-S024002	3	Conveyor Belt
19C	W-O121714	1	Conveyor Drive Shaft
19D	W-O121725	1	Conveyor Idler Shaft
19E	M-S031034	2	Idler Shaft Spring
19F	W-S014005	2	Idler Shaft Bearing
19G	W-A121718	1	Stacking Wheel Assembly
20	W-O121736	1	Side Cover, Right Side
21A	M-S032009	1	Hand Knob
21B	M-S002006	1	Hand Knob Set Screw, 10-32 X 3/8"
22A	M-S045124	1	Speed Control, 110V
22A	M-S045128	1	Speed Control, 220V
22B	M-S015016	1	Speed Control Decal, Dial Plate, 110V
22C	M-S032057	1	Speed Control Decal, Dial Plate, 220V
23	W-S022013	1	Conveyor Shaft Pulley
24	M-S023001	2	O-Ring Drive Belt
25	M-S045133	1	Fuse, 1.5Amp Slow – Blow, 110V only
25A	M-S045065	1	Fuse Holder, 110V Only
26	W-O022020	1	Timing Pulley

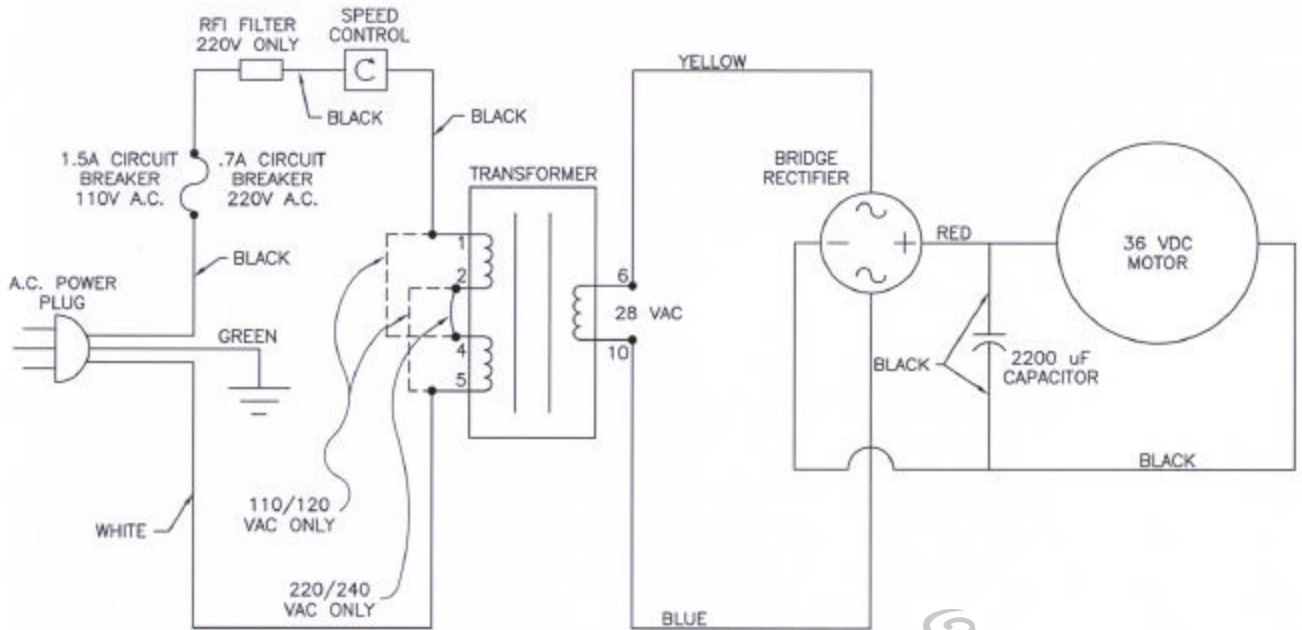
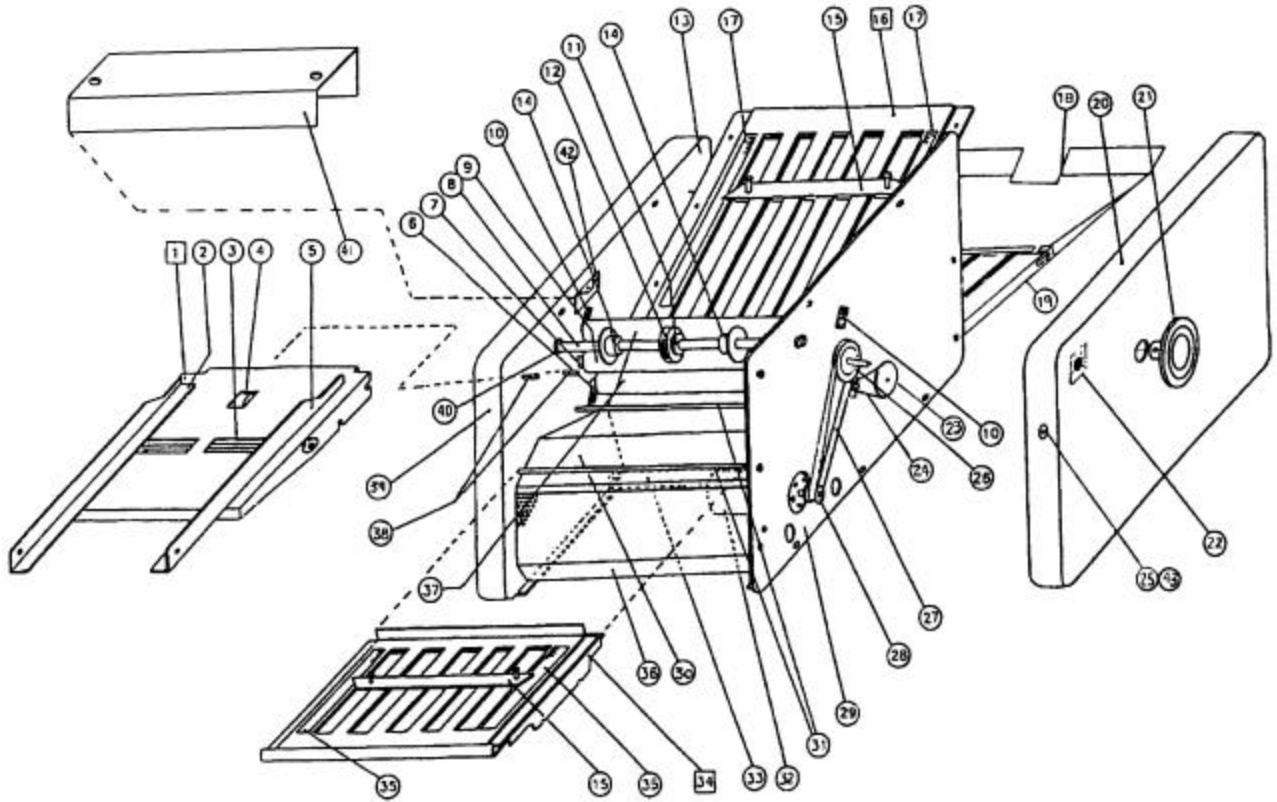
## 1217A Parts List

<u>Ref No.</u>	<u>Part No.</u>	<u>Qty.</u>	<u>Description</u>
26A	M-S002007	2	Timing Pulley Set Screw, 10-32 X 3/16" Cup Point
27	M-S025002	1	Timing Belt. 164XLO37
28	M-S022079	1	Motor Pulley
28A	M-S002004	1	Motor Pulley Set Screw #8 X 3/16" Cup Point
29	W-O001597	1	Main Frame, Right Side 110V
29	W-O121799	1	Main Frame, Right Side 220V
30	W-O121786	1	Motor Guard, 110V
30	W-O121796	1	Motor Guard, 220V
31	M-O121729	2	Tie Rod
32	M-S021047	1	Motor, 36 VDC
33	W-O121785		Chute, 110V
33	W-O121795		Chute, 220V
34	W-A121707	1	Lower (2 <sup>nd</sup> ) Fold Table Assembly
35	M-O001568	2	Ruler, 2 <sup>nd</sup> Fold Table
36	W-O121787	1	Screen Cover, 110V
36	W-O121797	1	Screen Cover, 220V
37	WRA121712	2	Intermediate Fold Roller
37A	WRA121722	1	Bottom Fold Roller
38	M-O003104	3	Index Pin, Round
38A	M-O095242	1	Index Pin, Hex
39	W-I001504	1	Side Cover, Left Side
40	M-S014027	2	Bearing, Nylon (Nyliner)
41	W-O121788	1	Roller Cover, 220V Only
41A	M-S032045	2	Roller Cover Screw Cap, 220V Only
41B	M-S003082	2	Roller Cover Screw, 220V Only
42	W-O095280	1	Roller Cover Bracket, Left Side, 220V Only
42A	W-O095265	1	Roller Cover Bracket, Right Side, 220V Only
43	M-S045163	1	Circuit Breaker, .6 AMP, 220V Only
43A	M-S045065	1	Fuse Holder, 110V Only

### Not Shown:

M-S045122	1	Transformer
W-A121740	1	110V AC Transformer Assembly
W-A121741	1	220V AC Transformer Assembly
M-S045123	1	Capacitor, 2200 ufd, 50V
M-S037047	1	Fan Blade
M-S045050	1	Bridge Rectifier
M-S037296	1	Power Cord, 110V Only
M-O007507	1	Feed Drive Pulley
M-O001591	1	Feed Shaft Pulley
M-S037293	1	Power Cord, 220V Only
M-S045162	1	EMI Filter, 220V Only

# 1217A Parts List



## MARTIN YALE 1217A FOLDER

<b>GBC#</b>	<b>VENDOR#</b>	<b>DESCRIPTION</b>
1726436	MS032009	HAND KNOB
1726437	MS023001	O RING BELT
1726445	WA121715	MAIN DRIVE ROLLER LS
1726446	MO003125	FEED ROLLER ARBOR
1726447	MO003548	FEED ROLLER RUBBER
1726448	MO003030	NYLON GUIDE ROLLER
1726449	M-S045124	SPEED CONTROL
1726450	WRA121712	INTERMEDIATE FOLD ROLLER
1726451	WRA121722	BOTTOM FOLD ROLLER
1726454	WS022013	CONVEYOR SHAFT PULLEY
1726455	WO022020	TIMING PULLEY
1726456	MS002007	SET SCREW TIM PULLEY
1726457	MS025002	TIMING BELT
1726458	MS022079	MOTOR PULLEY
1726459	MS002004	SET SCREW FOR MOTOR
1726460	WRA001516	RETARDER ROLLER ASSY
1726480	M-S021047	36 VDC MOTOR
1726508	W-O001534	PAPER STOP BAR
1726509	M-SO32007	PAPER STOP KNOB
1726510	W-O001507	PAPER STOP CLAMP BAR