

Martin Yale 959 Paper Folder

Parts List



Provided By

MyBinding.com®
When Image Matters.



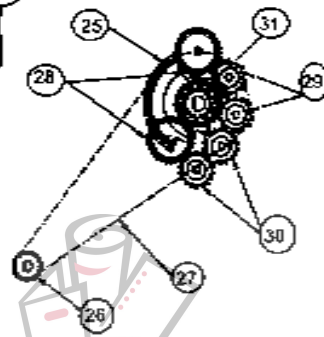
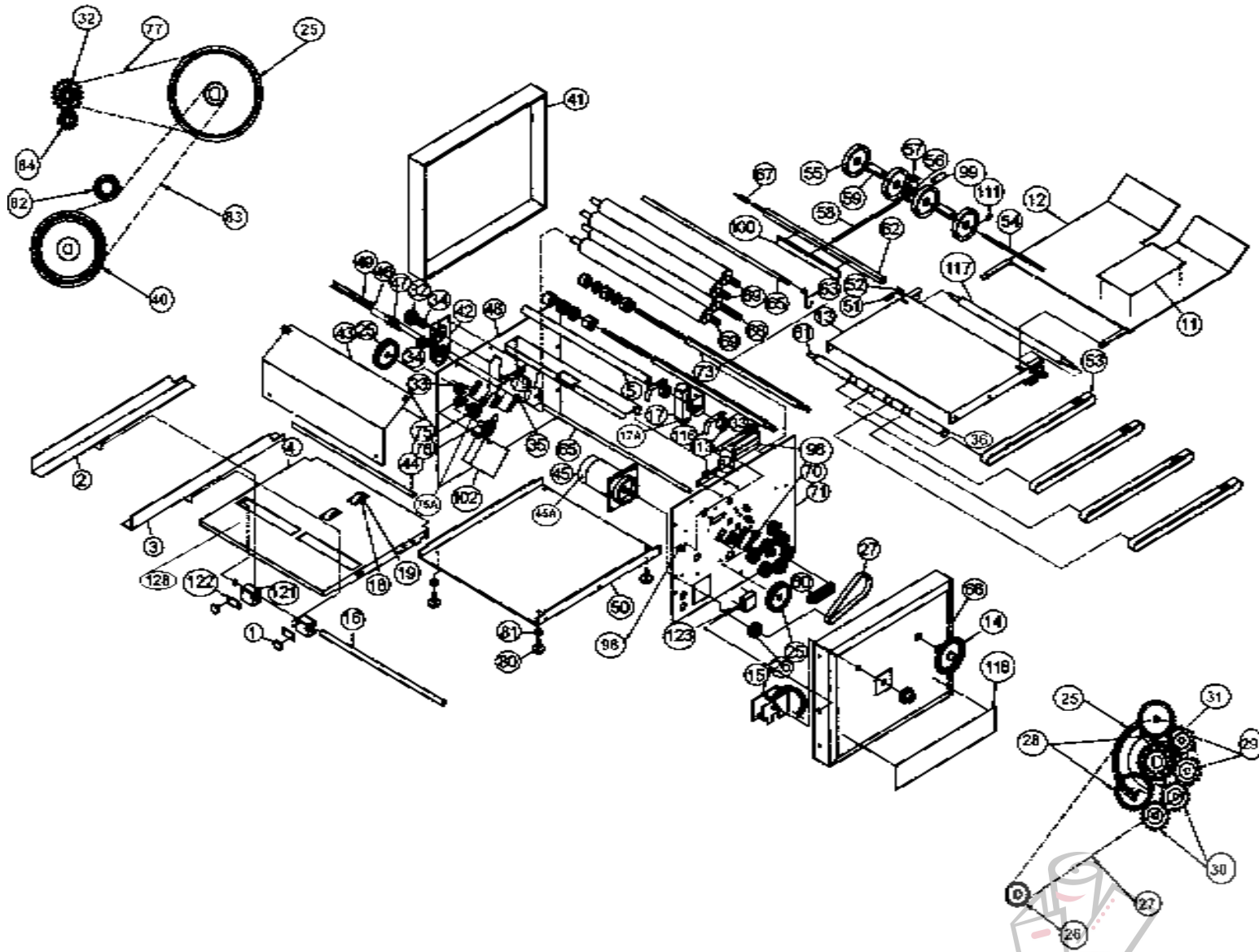
MARTIN YALE 959 PARTS LIST



GBC IS AN ACCO BRANDS COMPANY



MY 959 FOLDER PARTS LIST



<u>Item #</u>	<u>Description</u>	<u>Qty.</u>	<u>Part number</u>
1	Paper Guide Adjustment Knob	2	W-O032036
2	Paper Guide (LS)	1	W-A095040
3	Paper Guide (RS)	1	W-A095041
4	Feed Table Only	1	W-A095285
5	3/4" Tie Rod	1	M-O003066
6	1/4-20X5/8 Thumb Knob	2	W-O032036
7	Upper Fold Indicator Ruler	1	MRO095042
8	Paper Stop	2	W-O095012
8A	Paper Stop Rubber Button	14	M-S030015
9	Fold Table Assembly	2	WRA095101
10	Micro Adjustment Wheel	2	M-O095131
11	Folding Chart	1	MRO003108
12	Receiving Tray	1	W-A095064
13	Exit Table	1	W-O095035
14	Handwheel W/ Setscrew	1	M-S032047
15	Variable Speed Control	1	WRA095500
16	Paper Guide Rod	1	M-O095015
17	Retarder Housing	1	W-A095119
17A	Retarder	1	WRA003116
18	Feed Roll Arbor Assembly	2	W-I095143
19	Feed Roll Tire	2	W-O008015
20	Aluminum Deflector	2	W-O095124
21	Adjusting Screw	4	M-O095260
22	Spacer	2	M-O095037
23	Tie Bar	2	W-O095032
25	60T/15T Timing Pulley	2	M-S022021
26	Motor Pulley	1	M-S022017
27	210T Timing Belt	1	M-S025010
28	24T 3/8I.D. Gear	2	M-O003033
29	18T 1/4I.D. Gear	2	M-O003036
30	18T 3/8I.D. Gear	2	M-O003035
31	24T 1/2I.D. Gear	1	M-O03034A
32	Dual Gear	1	W-O095136
33	Compression Spring	4	M-S031059
34	Bushing	6	M-S013009
35	Bushing	1	W-S013008
36	Nyliner	2	M-S014021
37	Accessory Shaft Journal	2	W-O003019
38	10-32X1 1/4 S.H.C.S.	1	M-S003032
39	Bushing Retainer	1	M-O095204
40	44T Timing Pulley w/ Flange	1	W-S022019

Quick Reference Part Number List

Rollers And Bushings

Bushing part numbers are provided here for easy identification. Rollers are counted from top to bottom.

Roller #	Description	Roller Part #	Left Bushing Part #	Right Bushing Part #
1	Top Fixed Folding Roller	WRA003015	M-S013009	M-S013010



<u>Item #</u>	<u>Description</u>	<u>Qty.</u>	<u>Part number</u>
41	Left Side Cover	1	M-O095902
42	Bearing Plate	1	W-O095275
43	Motor Shield Assembly	1	W-A095273
44	Base Stiffener	1	W-O095274
45	Motor 120V (Serial above 4,000)	1	M-S021048
45A	Motor Brushes (Leeson)	2	MRS045138
46	Feed Support Plate	1	W-O095286
47	Feed Support Spacer	2	W-O095277
48	Left Side Main Frame	1	W-A095282
49	Plate Bushing	1	M-S013052
50	Base Plate	1	W-O095284
51	Red Compression Spring	2	M-S031034
52	Nylon Bearing	2	W-S014005
53	Conveyor Belt	4	M-S024002
54	Stacking Wheel Axle	1	M-O008011
55	Stacking Wheel	4	M-S034001
56	Axle Box Housing	4	W-O003090
57	Stacking Finger	1	W-O008013
58	Stacking Wheel Shaft	1	W-O003093
59	Stacking Wheel Weights	2	W-O095268
60	Terminal Block	1	M-S033024
61	Conveyor Shaft	1	W-O095135
62	Square Stacking Wheel Shaft	1	W-O008017
63	Stacking Wheel Hook	1	M-S031060
64	Roller Guard Bracket (R. S.)	1	W-O095265
65	Tie Rod	2	W-O095276
66	Right Side Cover	1	M-O095901
67	Compression Spring	1	M-S031050
68	Main Drive Roller	1	WRA095034
69	Folding Rollers	3	WRA003015
70	Flanged Oilite	1	M-S013010
71	R. S. Main Frame	1	W-A095323
72	7 T.P.I. Perf Wheel	1	W-A03085B
73	Accessory Shaft	1	M-A003018
74	Roller Pinch Guard	1	W-O095279
75	Short Drive Shaft	1	W-O095267
75A	18T "DD" Gear	3	M-O095306
76	Feed Drive Shaft	1	W-O095287
77	150T Timing Belt	1	M-S025026
78	Feed Table Stiffener	1	WRA095104
79	Left Side Roller Bracket	1	W-O095280
79A	Right Side Roller Bracket	1	W-O095265
80	Foot w/ Stud	4	M-S63751408
81	8-32 Keps Nut	4	M-S007006
82	½ X 5/8 X 1 Idler Bushing	1	M-S013053
<u>Item #</u>	<u>Description</u>	<u>Qty.</u>	<u>Part number</u>
83	130T Timing Belt	1	M-S025024

84	14T 3/8I.D. Gear	1	M-O095903
85	Flanged oilite	4	M-S013050
86	18T DD Gear	3	M-O095306
87	Feed Roll Shaft	1	W-O095264
88	Aux. Feed Roll. Shaft	1	W-O095263
89	Retaining Ring	6	M-S010010
90	110XL037 Timing Belt	1	M-S025027
91	10-32 Keps Nut	30	M-S007008
92	12T 3/8 I.D. Pulley	2	M-S022015
93	Guide Roller Arbor	2	M-O003079
94	Rubber Guide Roller	2	M-O003080
95	Stripper	1	M-O003132
96	Angular Adjustment Bracket	1	W-O095014
97	Feed Roller Clutch Bearing	2	M-S020009
98	Angular Adjustment Set Screw	1	M-S002009
99	Nylon Tip	1	M-S043046
100	Deflector Plate	1	W-O008012
101	Pulley Guard Spacer	1	W-O095278
102	Pinch Guard	1	W-A095271
103	Optional Slitter	1	WRA03085A
104	Scoring Roller	2	M-O003083
105	Guide Roller Hub	2	M-O003076
106	Scoring Roller Hub	2	M-O003082
107	Paper Stop	2	W-O095012
108	Spring	4	M-O095036
109	Clamp Stud	4	M-O095322
109A	Stop Clamp	4	M-O095321
110	Thumb Screw	4	M-S032036
111	E- Ring	6	M-S010004
112	Guide Finger Assembly	2	W-A095233
113	Guide Finger Collar	2	M-O095221
114	10-32 x 3/16 SHCS	2	M-S003082
115	#10x1/2x3/64 Flat Washer	2	M-S008005
116	Guide Finger	2	W-O095233
117	Conveyor Idler Shaft	1	W-O003064
118	Label	1	M-S015265
119	8-32 x 3/16 Rd Hd Phillips	3	M-S001128
120	¼ x 20 x 2 Carriage Bolt	1	M-S006015
121	Rod Clamp	2	W-O095020
122	Grip Plate	2	W-O095051
123	3.5A Circuit Breaker	1	M-S045194
124	Cord 120 VAC 60 Hz	1	M-S037002
125	See Next Page		
126	¼ x ½ x 1/16 Flat Washer	1	M-S008008
127	3/8 x 1-1/2 x 1/16 Flat Washer	1	M-S008044
128	Feed Table Assembly	1	WRA095101

Reference Illustrations Cont.

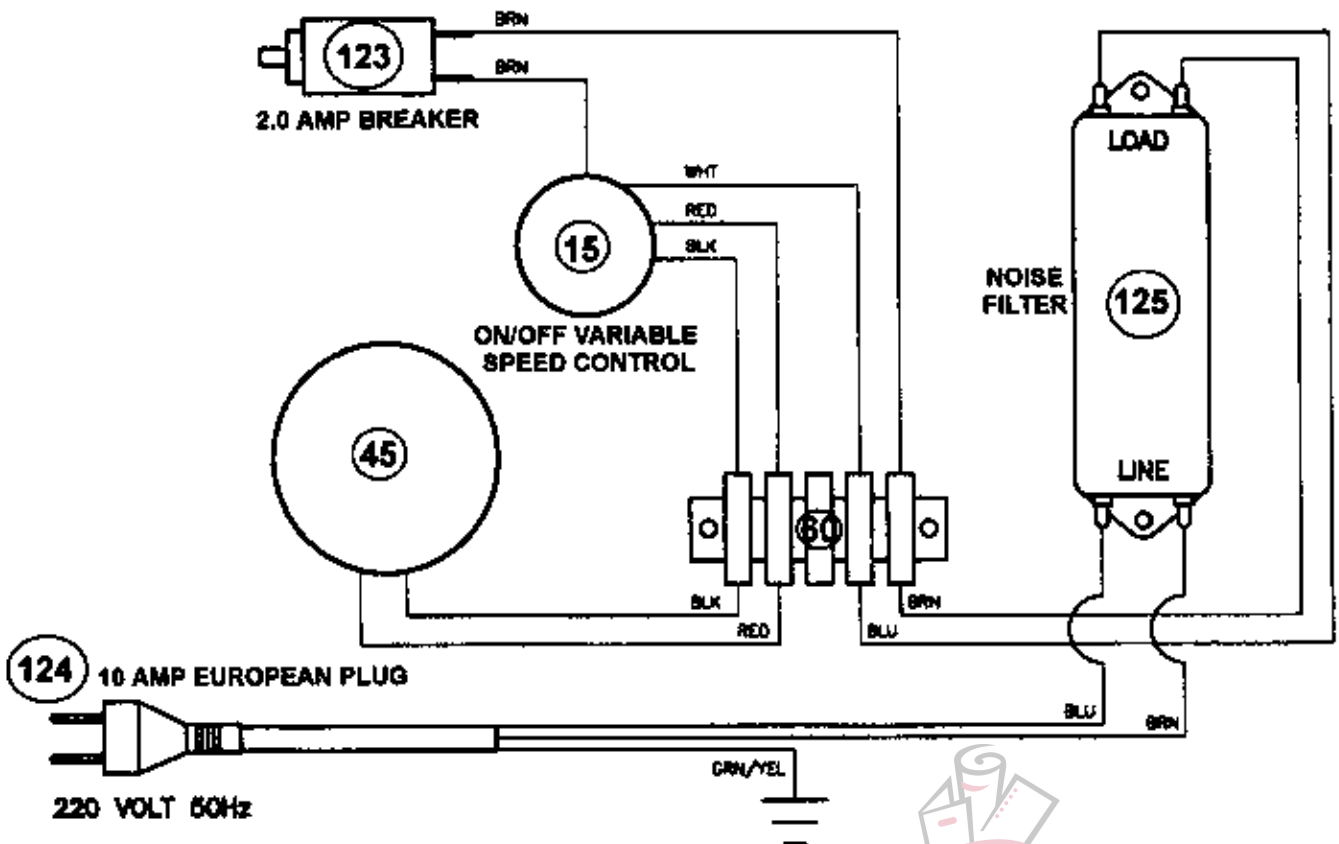
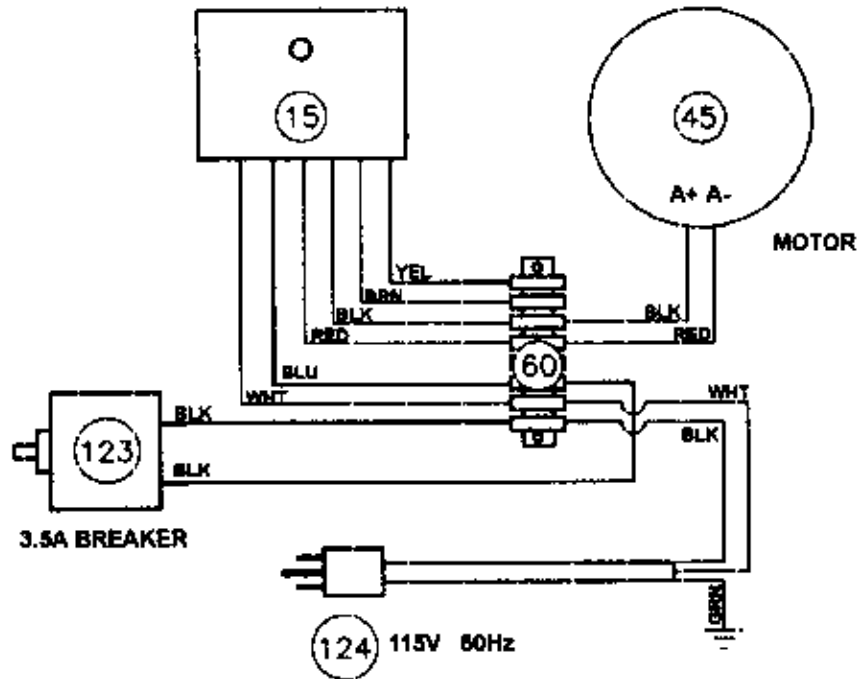
220V List (These parts will change to the following with a 220V unit)

<u>Item #</u>	<u>Description</u>	<u>Qty.</u>	<u>Part number</u>
15	Variable Speed Control	1	M-O095207
45	Motor, 220V 50Hz	1	M-S021050
71	Right Side Frame	1	W-O095326
123	2.0A Breaker	1	M-S045195
124	Cord 220V 50Hz	1	M-S037286
125	Noise Filter (220V only)	1	M-S045193

Not Illustrated

8-32x3/16 Rd Hd Phillips	M-S001128
#8 ID Internal Lock Washer	M-S008061
5/16x5/8x3/32 Washer	M-S008068
5/32 Allen Wrench	M-S012009
Wire Tie	M-S043018
Cable Tie Mount	M-S029001
3/32 Allen Wrench	M-S012003
1/8 Allen Wrench	M-S012004
Collar Bushing	M-S013051
Feed Bearing Collar	M-O095266
Shaft Bracket	W-O095269
Pinch Guard—Gear Assembly	W-A095271
Pinch Guard Pulley	W-O095270
Retarder Spring	M-S031075

959 SC959 SCHEMATIC



MARTIN YALE 959 PAPER FOLDER

GBC#	VENDOR#	DESCRIPTION
1724641	M0095230	BELTS
1724642	W-A095224	PAPER HOLD DOWN
1724644	WRA095103	STACKER WHEEL ASSY
1724645	M-O003019	ACCESSORY SHAFT
1724646	M-O003082	SCORING ROLL BACKUP
1724682	WRA095907	MOTOR RETRO KIT
1724683	WRA095500	SPEED CONTROL
1724684	MS045194	CIRCUIT BREAKER
1724820	WRA959F00	REBUILD KIT
1724827	MS024002	BELT
1724828	MS031050	SPRING
1724829	MS63751408	FOOT
1724830	MS007006	NUT
1726416	M0-095306	18 TOOTH GEAR
1726417	WRA003116	RETARDER/SEPERATOR
1726047	W-A03085B	7 TOOTH PRFORATOR
1726432	M-S025010	210 TOOTH BELT
1726433	M-S032047	HAND WHEEL W/ SCREW
1726728	MO003033	24 TOOTH GEAR 3/8 ID
1726889	MOOO3108	FOLDING CHART
1726890	WA095224	SHEET DETECTOR ASSY
1726891	MS043036	VINYL HOSE 47 " LONG
1727015	WA095064	STACKING TRAY
1727148	MO003083	SCORING ROLLER
1727254	WO008055	FEED ROLLER RED
1727255	MO003080	RUBBER GUIDE ROLLER W/SHAFT
TWRA003015	WRA003015	FOLDING ROLLER