

Standard AutoCreaser 33 Scoring Machine

Parts Manual

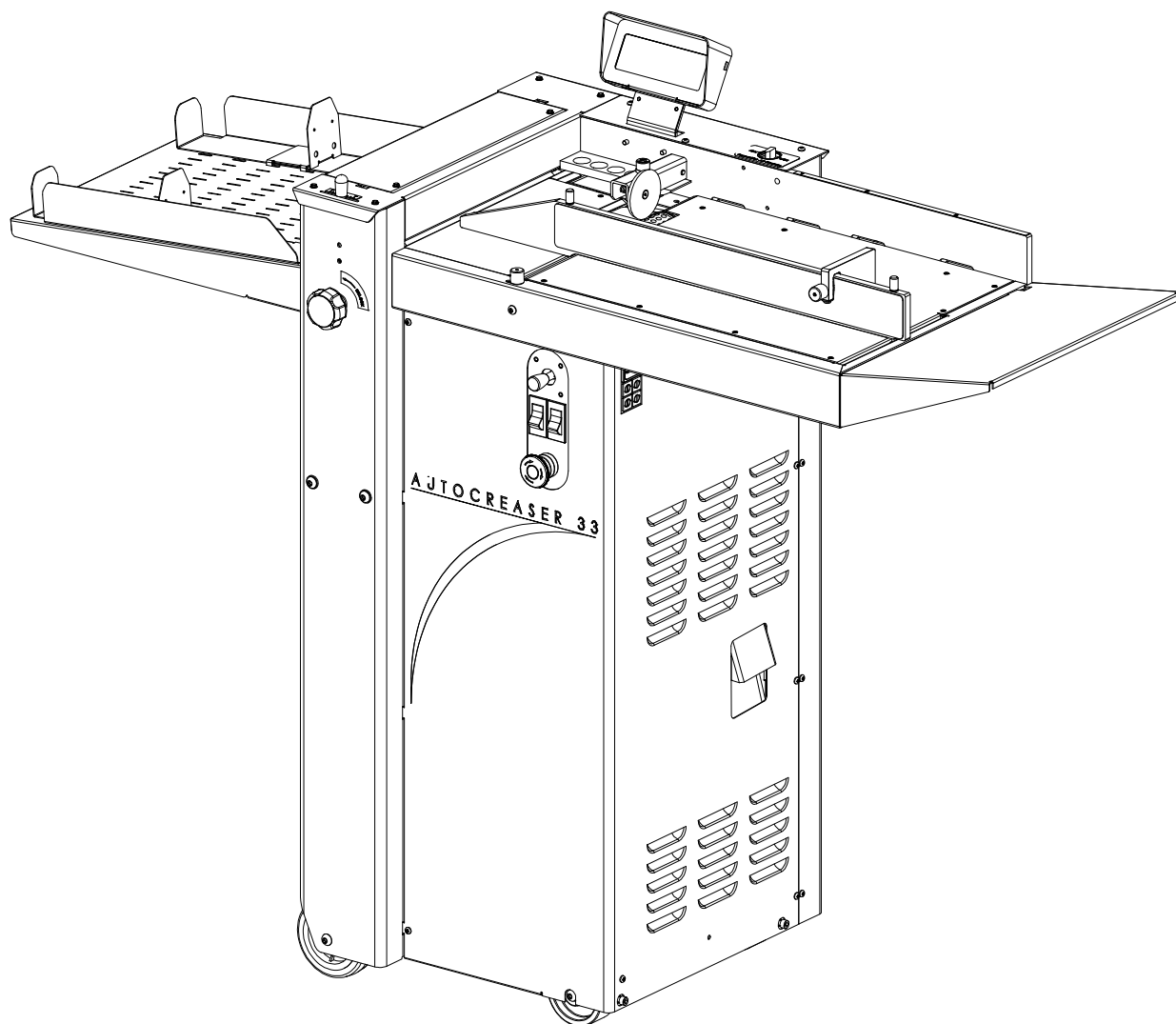


Provided By

MyBinding.com®
When Image Matters.

Morgana

AutoCreaser 33



DOCUMENT CREASING MACHINE

ILLUSTRATED PARTS MANUAL

Morgana Systems Limited United Kingdom

Telephone: (01908) 608888 Facsimile: (01908) 692399

Website: www.morgana.co.uk

ISSUE 5 J A N U A R Y 2009

Morgana AutoCreaser 33

ILLUSTRATED PARTS MANUAL

The Illustrated Parts Manual has been designed to assist when selecting a part or assembly which may be required to service or repair your machine.

The index on page four lists all of the major assemblies in the order in which the machine is constructed.

The following page demonstrates how to recognise a part from a sub-assembly and shows the quantity contained within the major assembly.

The major assembly number and description is listed at the top of the page and should always be quoted when ordering parts or when seeking technical advice.

Before ordering parts confirm that the model number of the machine (listed at the top of page four) is identical to the number stamped on the specification plate. Whilst checking this, make a note of the serial number also stamped on the plate.

Some components will not be made available individually as they form part of a sub-assembly which may require specialist tools and knowledge to dismantle. The machine may not perform correctly if attempts are made to repair sub-assemblies of this type.

NOTE....

**ALWAYS READ THE OPERATORS MANUAL BEFORE MAKING ANY
ADJUSTMENTS TO YOUR MACHINE AND ALWAYS DISCONNECT THE POWER
SUPPLY BEFORE REMOVING ANY COVERS.**

USING THIS MANUAL.....

CIRCLED ITEM NUMBERS IN LISTS & ON ILLUSTRATIONS INDICATE SUB ASSEMBLIES.

ITEMS LISTED ARE AVAILABLE INDIVIDUALLY AS SPARE PARTS.

| | | | |
|------|----------|---|---------------------------------------|
| 10 | | | |
| (11) | 92 - 039 | 1 | SLIDE FRAME ASSEMBLY - Low |
| 12 | 95-046 | 1 | SWITCH ASSEMBLY - Set-up |
| 13 | 95-047 | 1 | SWITCH ASSEMBLY - Feed |
| 14 | 95-049 | 1 | SWITCH ASSEMBLY - Rotary Setting Dial |
| 15 | 95-058 | 1 | SWITCH ASSEMBLY - Push Button 1 |
| 16 | 95-059 | 1 | SWITCH ASSEMBLY - Push Button 2 |
| 17 | 95-060 | 1 | SWITCH ASSEMBLY - Push Button 3 |
| 18 | 95-064 | 1 | SWITCH ASSEMBLY - Push Button 4 |
| 19 | | | |
| 30 | | | |

QUANTITY PER ASSEMBLY

NOTE....

Some sections have footnotes to explain various aspects of the parts lists and accompanying illustrations. They may also include warnings about the fitting of parts, their removal, or the need to use special tools.

TIP....

Some sections have tips to assist you in choosing spare parts for your machine or advice about keeping certain parts readily available to minimise downtime.

WARNING.....

SOME SECTIONS HAVE WARNING NOTICES TO ADVISE YOU ABOUT ACTIONS WHICH MAY IMPAIR YOUR MACHINES PERFORMANCE OR CAUSE UNNECESSARY DAMAGE.

| SECTION | ASSEMBLY | DESCRIPTION | PAGE |
|---------|----------|-------------------|------|
| 1 | 7-01-12 | MAIN ASSEMBLY | 6 |
| 2 | 7-03-11 | FEED BED ASSEMBLY | 10 |
| 3 | 7-06-11 | CREASER UNIT | 12 |
| 4 | 7-08-14 | STACKER ASSEMBLY | 22 |
| 5 | 720820 | FINAL ASSEMBLY | 24 |
| | | | |
| | | | |
| | | | |
| | | | |
| | | | |
| | | | |
| | | | |
| | | | |
| | | | |
| | | | |
| | | | |
| | | | |
| | | | |
| | | | |
| | | | |

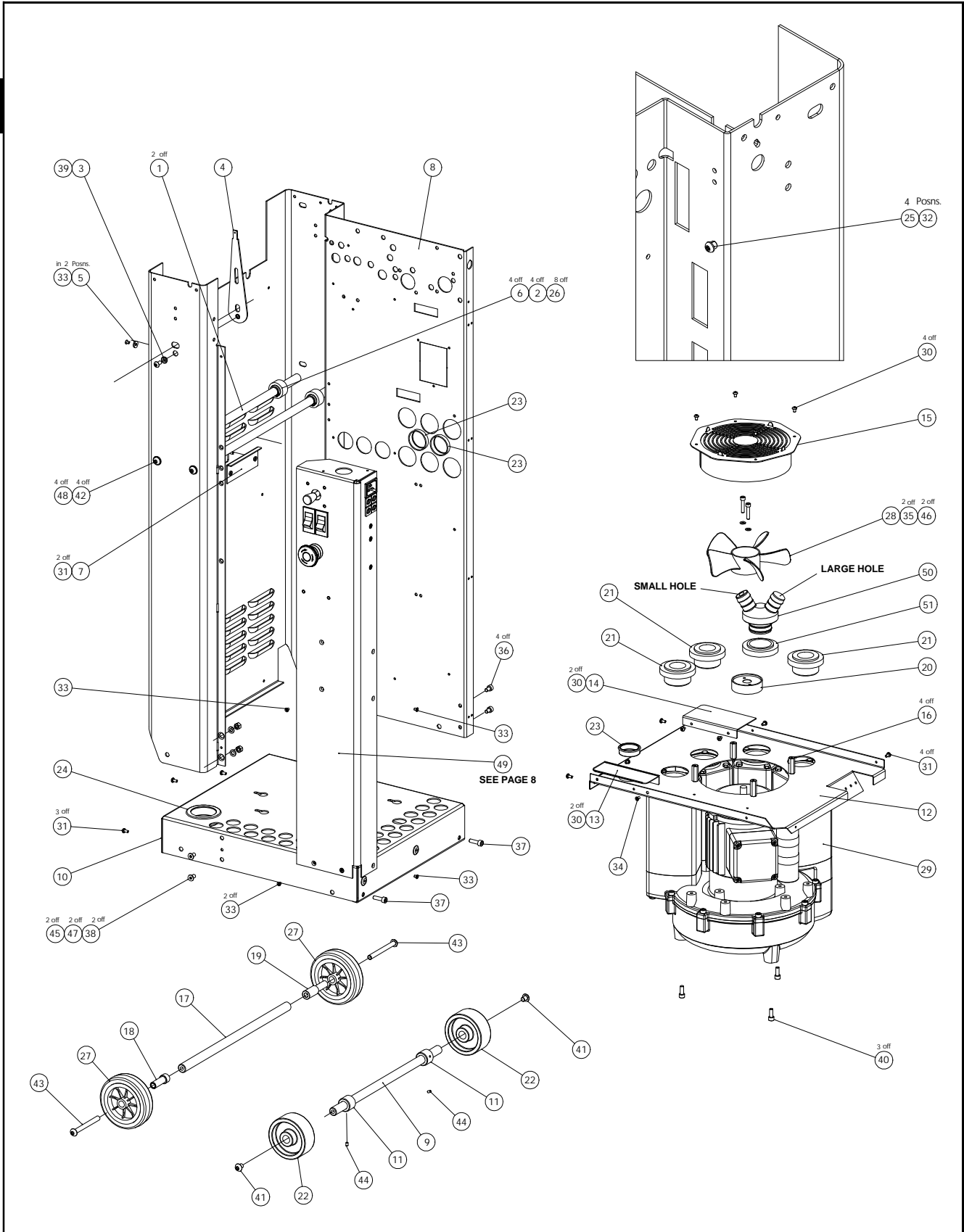
NOTE....

TIP....

To assist you in quickly finding the section you require, there are numbered tabs positioned down the outside edges of each page.

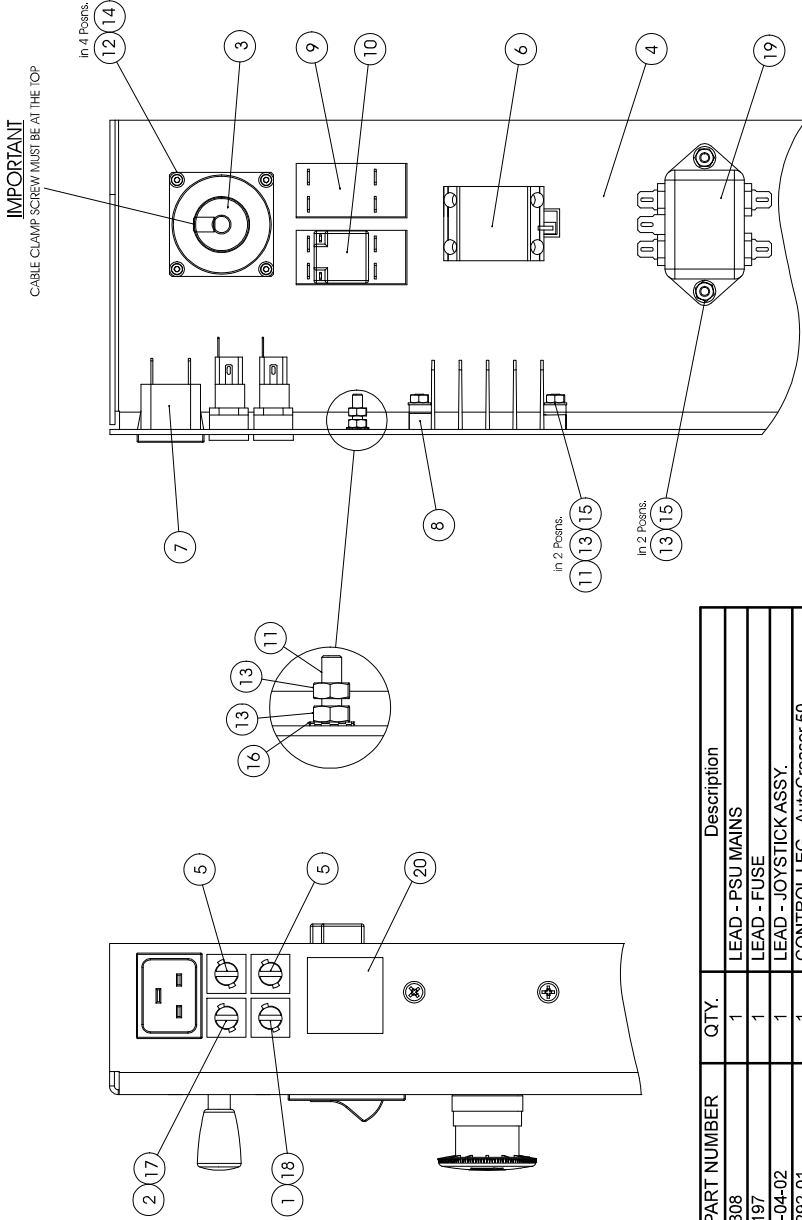
BLANK
PAGE

1



| ITEM No. | PART No. | QTY. | Description |
|----------|----------------|------|---|
| 1 | 71-002-03 | 2 | Tie Bar - AutoCreaser 33 |
| 2 | 71-005 | 4 | Support Spool |
| 3 | 71-010 | 1 | Pivot Bush |
| 4 | 71-013-02 | 1 | TILT LEVER - MK2. |
| 5 | 71-015 | 2 | Pad |
| 6 | 71-016 | 4 | Shock Sleeve |
| 7 | 71-018-02 | 1 | PLATE - Blanking - AutoCreaser. |
| 8 | 71-051-01 | 1 | MAIN FRAME - AutoCreaser Mk3. |
| 9 | 71-052-02 | 1 | AXLE - AutoCreaser 33. |
| 10 | 71-054-01 | 1 | PLINTH - AutoCreaser 33. |
| 11 | 71-055-01 | 2 | WHEEL COLLAR |
| 12 | 75-202-01 | 1 | BAFFLE PLATE - AutoCreaser 33. |
| 13 | 75-208-01 | 1 | Tower Blank - Op Side |
| 14 | 75-208-02 | 1 | Tower Blank - Lay Side |
| 15 | 75-229-02 | 1 | Fan Guard Assy - AutoCreaser 33. |
| 16 | 75-254-02 | 4 | HEX PILLAR - Fan Spacer - M4 |
| 17 | 91-005 | 1 | Axle - Wheels |
| 18 | 91-006-05 | 1 | WHEEL TUBE - Op. Side - AutoCreaser 50. |
| 19 | 91-006-06 | 1 | WHEEL TUBE - Lay Side - AutoCreaser 50. |
| 20 | 91-024-03 | 1 | FAN ADAPTER - Compressor - SV130. |
| 21 | 91-025 | 3 | BUNG - Compressor. |
| 22 | 62-006 | 2 | NYLON WHEEL |
| 23 | 601-015 | 3 | Snap Bushing Ø33.3 x Ø38 |
| 24 | 601-153 | 1 | Snap Bushing Ø46 x Ø57.2 |
| 25 | 603-041 | 4 | SPIROL SPACER Ø4 x Ø5.65 x 4 Lg. |
| 26 | 615-014 | 8 | CIRCLIP - External - Ø15 |
| 27 | 617-008 | 2 | Wheel - Ø100 |
| 28 | 621-025 | 1 | FAN - PLASTIC 5 BLADE 6" CCW |
| 29 | 621-029 | 1 | BLOWER - SV130. |
| 30 | 401-02-040-006 | 8 | Screw - Pan Pozi Taptite - M4 x 6 Lg. |
| 31 | 401-02-040-008 | 9 | Screw - Pan Pozi Taptite - M4 x 8 Lg. |
| 32 | 401-02-040-010 | 4 | Screw - Pan Pozi Taptite - M4 x 10 Lg. |
| 33 | 402-02-040-006 | 7 | Screw - Csk Hd. Taptite - M4 x 6 Lg. |
| 34 | 402-02-040-008 | 1 | Screw - Csk Hd. Taptite - M4 x 8 Lg. |
| 35 | 403-01-050-025 | 2 | SCREW - Socket Cap Head - M5 x 25 Lg. |
| 36 | 403-01-060-010 | 4 | SCREW - Socket Cap Head - M6 x 10 Lg. |
| 37 | 403-01-060-020 | 2 | SCREW - Cap Hd. - M6x 20 Lg. |
| 38 | 404-01-060-012 | 2 | SCREW - Socket Csk Head - M6 x 12 Lg. |
| 39 | 405-01-060-012 | 1 | SCREW - Socket Button Head - M8 x 16 Lg. |
| 40 | 403-01-060-016 | 3 | SCREW - Socket Cap Head - M6 x 16 Lg. |
| 41 | 405-01-080-010 | 2 | SCREW - Socket Button Head - M8 x 10 Lg. |
| 42 | 405-01-080-016 | 4 | SCREW - Socket Button Head - M8 x 16 g. |
| 43 | 405-01-080-080 | 2 | SCREW - Socket Button Head - M8 x 50 Lg. |
| 44 | 409-01-040-006 | 2 | Screw - Skt Set Screw - Flat Pt. - M4 x 6 Lg. |
| 45 | 461-01-060 | 2 | NUT - Full - M6 |
| 46 | 481-050 | 2 | WASHER - Plain - M5 |
| 47 | 481-060 | 2 | WASHER - Plain - M6 |
| 48 | 481-080 | 4 | WASHER - Plain - M8 |
| 49 | 75-291-02 | 1 | CONTROL LEG ASSY. - AutoCreaser 33 |
| 50 | 71-01-01 | 1 | SV130 ADAPTOR ASSY |
| 51 | 91-025-06 | 1 | BUNG - Compressor - Ø40 Bore |

1

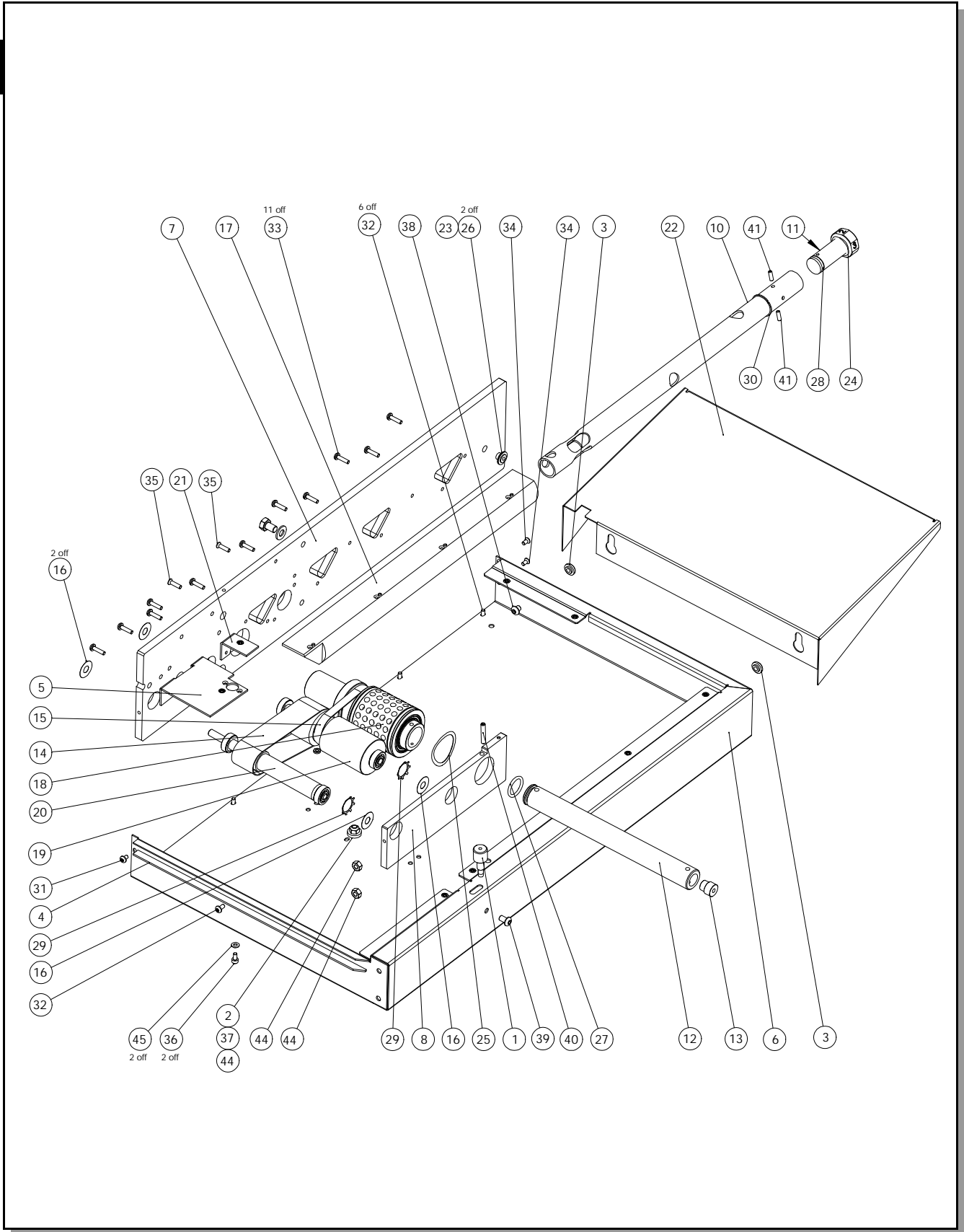


75-291-02
(Control Leg Assembly)

| ITEM NO. | PART NUMBER | QTY. | Description |
|----------|----------------|------|---------------------------------------|
| 1 | 75-308 | 1 | LEAD - PSU MAINS |
| 2 | 75-197 | 1 | LEAD - FUSE |
| 3 | 144-04-02 | 1 | LEAD - JOYSTICK ASSY. |
| 4 | 75-292-01 | 1 | CONTROL LEG - AutoCreaser 50. |
| 5 | 613-352 | 2 | FUSE HOLDER - Ø5 x 20 |
| 6 | 613-365 | 1 | EMERGENCY STOP SWITCH - Double Pole. |
| 7 | 651-101 | 1 | Mains Inlet - 20A |
| 8 | 651-109 | 1 | Tab Terminal Block - 4 way |
| 9 | 652-009 | 1 | SWITCH - Compressor. (UK) |
| | 652-010 | 1 | SWITCH - Compressor. (USA) |
| 10 | 652-011 | 1 | SWITCH - System. |
| 11 | 402-02-040-016 | 3 | Screw - Csk Hd. Taprite - M4 x 16 Lg. |
| 12 | 403-01-025-008 | 4 | SCREW - Cap Hd. - M2.5 x 8 Lg. |
| 13 | 461-01-040 | 6 | NUT - Full - M4 |
| 14 | 481-025 | 4 | WASHER - Plain - M2.5 |
| 15 | 481-040 | 4 | WASHER - Plain - M4 |
| 16 | 485-040 | 1 | Washer - Shakeproof - M4 |
| 17 | 613-023 | 1 | Fuse - 3.15A - 20mm x 5mm - FAST BLOW |
| 18 | 681-015 | 1 | Fuse - 4.0A - 20mm x 5mm - ANTI-SURGE |
| 19 | 680-009 | 1 | Mains Filter |
| 20 | 75-387 | 1 | Label - Fuse Ratings |

BLANK
PAGE

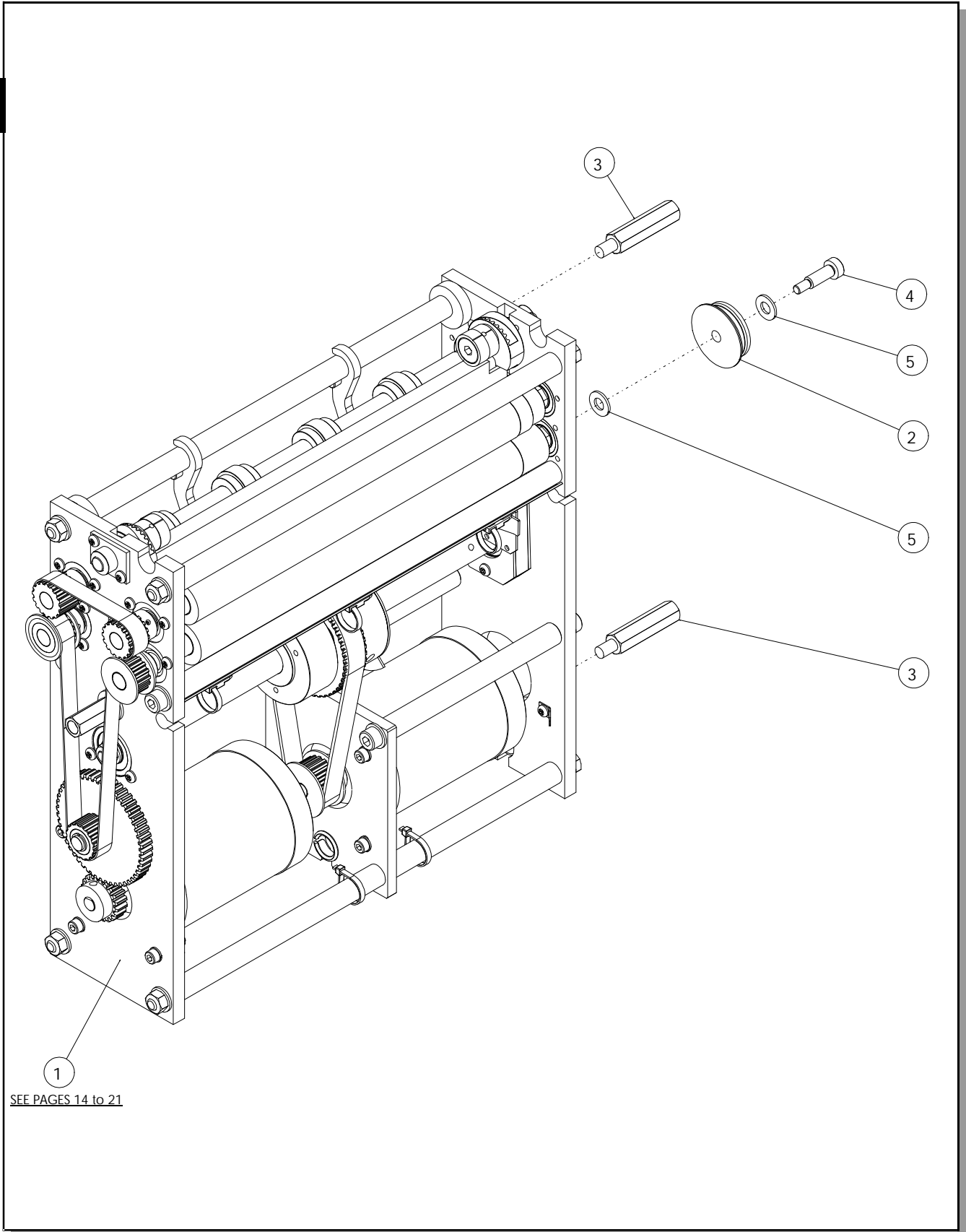
2



| ITEM No. | PART No. | QTY. | Description |
|----------|----------------|------|---|
| 1 | 28-003 | 1 | UNIVERSAL KNOB ASSY - M6 x 25 Lg. - Black - Ø16 |
| 2 | 51-095 | 1 | Clamp Washer |
| 3 | 73-004 | 2 | Key Hole Latch |
| 4 | 73-009 | 1 | FOAM BED SPACER - AutoCreaser. |
| 5 | 73-012-02 | 1 | BELT SUPPORT - AutoCreaser 50. |
| 6 | 73-051-02 | 1 | FEED FRAME - AutoCreaser 33. |
| 7 | 73-052-02 | 1 | MANIFOLD PLATE - AutoCreaser 33. |
| 8 | 73-054-01 | 1 | SUPPORT PLATE - AutoCreaser 50 |
| 10 | 93-004 | 1 | Air Distribution Tube |
| 11 | 93-005 | 1 | Knob - Air Distribution |
| 12 | 93-014-04 | 1 | CHOKE SHAFT - AutoCreaser 33 |
| 13 | 93-015 | 1 | Locking Spool |
| 14 | 93-021 | 1 | Feed Belt |
| 15 | 93-022 | 1 | Vacuum Roller Drive Belt |
| 16 | 93-023 | 4 | Shield - Self Aligning Ball Race |
| 17 | 73-03-01 | 1 | Manifold Tube Assy |
| 18 | 93-030-02 | 1 | Vacuum Roller Assy - Slotted |
| 19 | 93-031 | 1 | Feed Drum Assy - Idler |
| 20 | 93-032 | 1 | Feed Drum Assy - Drive |
| 21 | 93-033-02 | 1 | Support Bracket - Control Bed - M3 |
| 22 | 93-037 | 1 | Extension - Loading Table |
| 23 | 601-088 | 1 | Spring Plunger - Press In |
| 24 | 604-060 | 1 | Washer - Waved - Ø25.5 X Ø19 X 3 |
| 25 | 604-062 | 1 | Washer - Waved - Ø35.5 X Ø43.5 X 0.4 |
| 26 | 605-004 | 2 | Thrust Washer - Ø8 x Ø15.88 x 0.79 |
| 27 | 609-011 | 1 | 'O' Ring Ø20 x Ø3 |
| 28 | 609-014 | 1 | 'O' Ring Ø15 x Ø3 |
| 29 | 615-035 | 2 | Metric Push-in Fix |
| 30 | 615-040 | 1 | Retaining Ring - External - Ø25 |
| 31 | 401-02-040-006 | 1 | Screw - Pan Pozi Taptite - M4 x 6 Lg. |
| 32 | 401-02-040-008 | 6 | Screw - Pan Pozi Taptite - M4 x 8 Lg. |
| 33 | 401-02-040-016 | 11 | Screw - Pan Pozi Taptite - M4 x 16 Lg. |
| 34 | 402-02-040-008 | 2 | Screw - Csk Hd. Taptite - M4 x 8 Lg. |
| 35 | 402-02-040-016 | 2 | Screw - Csk Hd. Taptite - M4 x 16 Lg. |
| 36 | 403-01-040-008 | 2 | Screw - Socket Cap Head - M4 x 8 Lg. |
| 37 | 403-01-060-012 | 1 | Screw - Socket Cap Head - M6 x 10 Lg. |
| 38 | 405-01-060-006 | 2 | Screw - Button Hd. - M6 x 6 Lg. |
| 39 | 405-01-060-010 | 1 | Screw - Button Hd. - M6 x 10 Lg. |
| 40 | 408-01-050-030 | 1 | Screw Skt Cone Pt - M5 x 30 Lg. |
| 41 | 409-01-040-012 | 2 | Screw - Socket Set - Flat Point - M4 x 12 Lg. |
| 44 | 461-01-060 | 3 | Nut - Full - M6 |
| 45 | 481-040 | 2 | Washer - Plain - M4 |

2

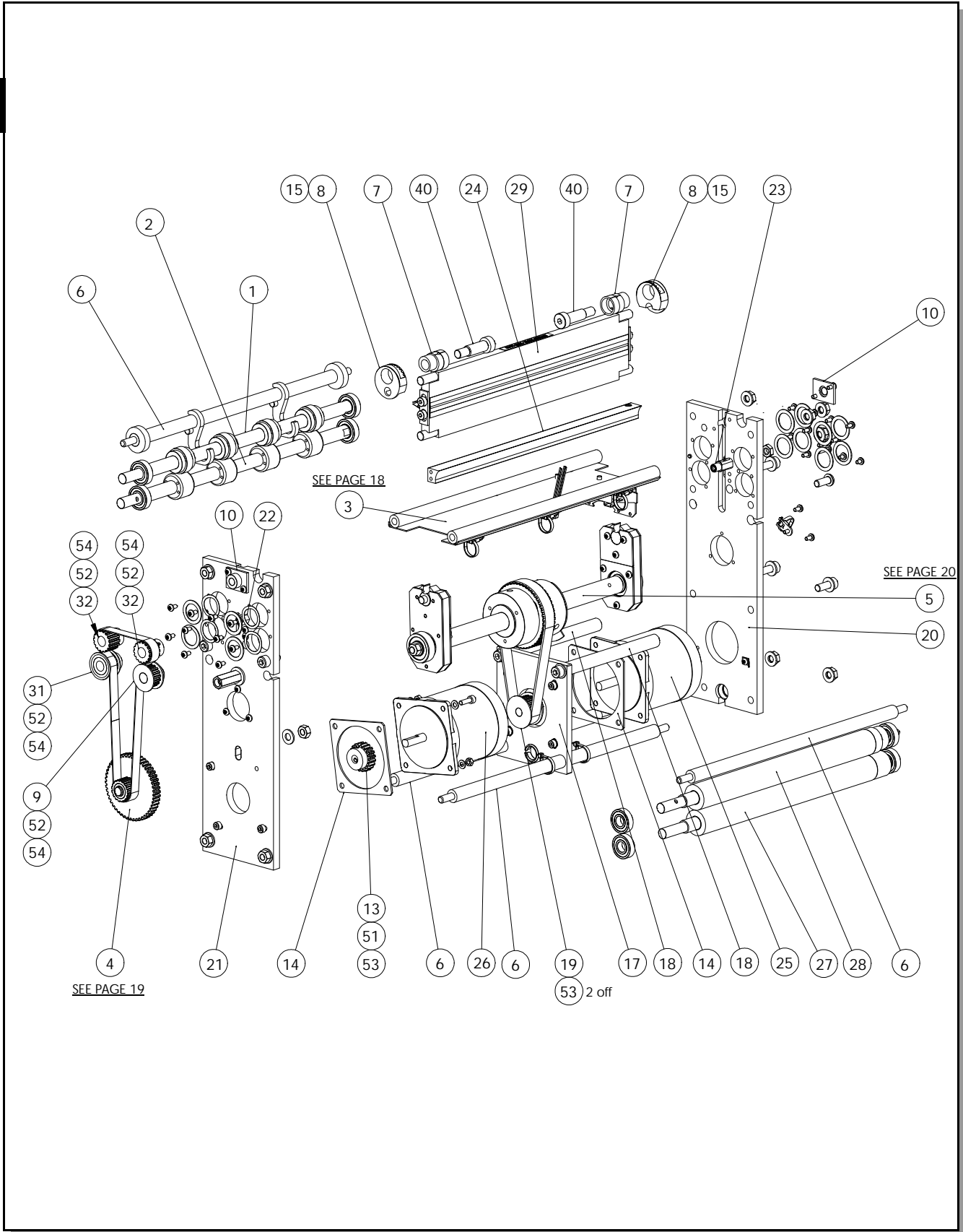
3



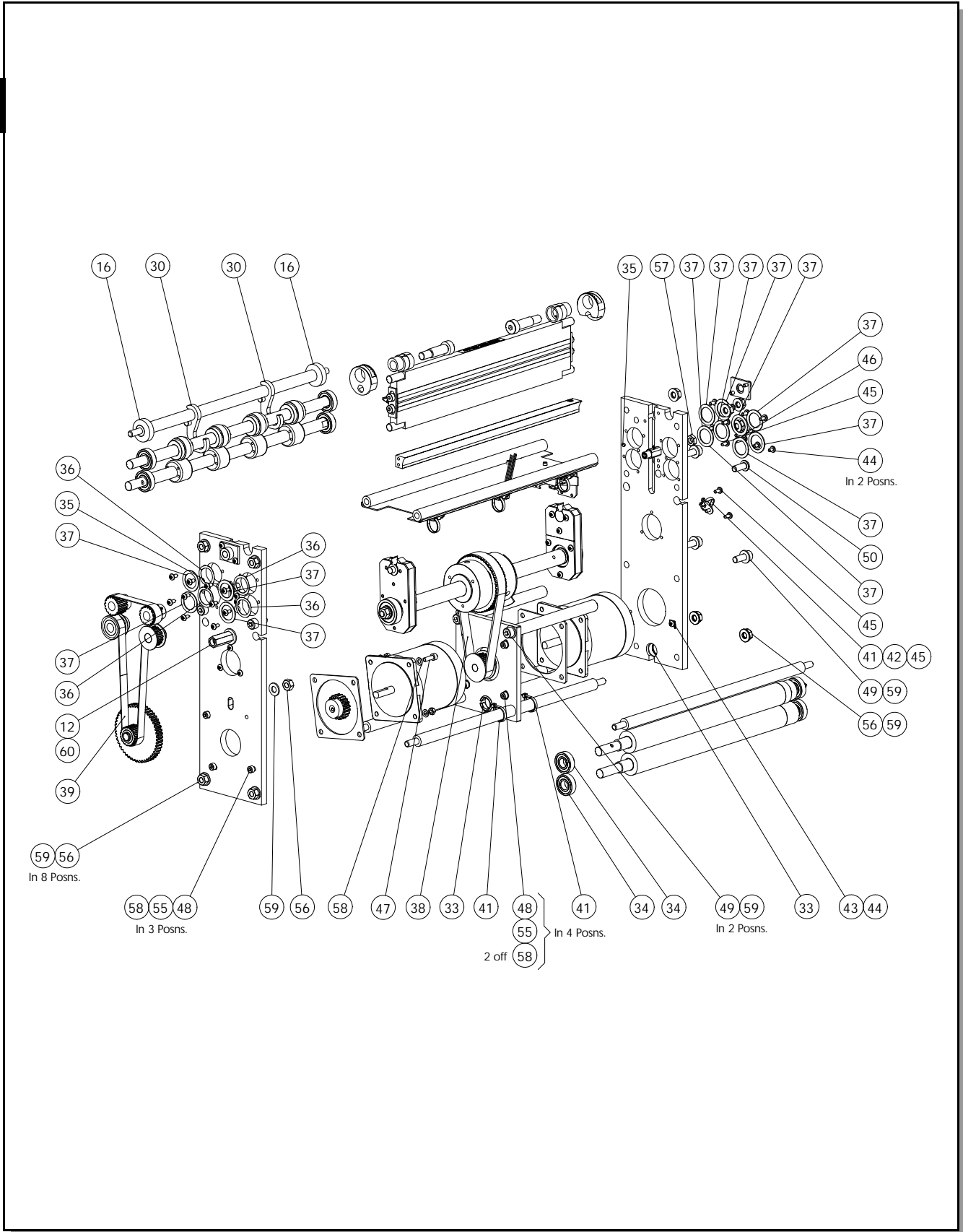
SEE PAGES 14 to 21

| ITEM No. | PART No. | QTY. | Description |
|-----------------|-----------------|-------------|----------------------------------|
| 1 | 7-06-12 | 1 | CREASING UNIT ASSY. |
| 2 | 76-040-02 | 1 | Cord Pulley - Drive |
| 3 | 76-053-02 | 2 | HINGE PILLAR |
| 4 | 608-001 | 1 | Shoulder Bolt - Ø8 (M6) x 20 Lg. |
| 5 | 481-080 | 2 | Washer - Plain - M8 |

3

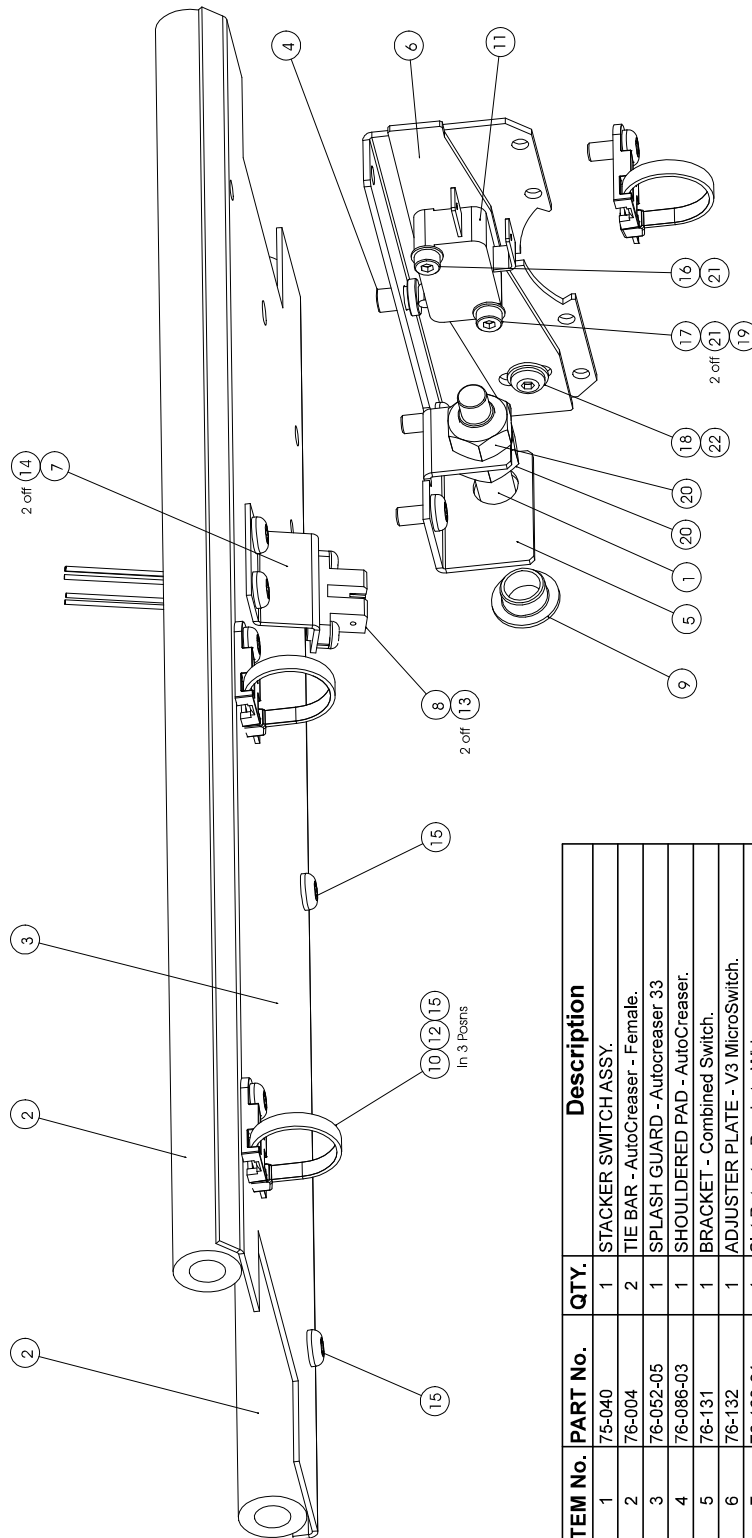


| ITEM No. | PART No. | QTY. | Description |
|----------|----------------|------|--|
| 1 | 76-250-01 | 1 | Upper Output Shaft Assy |
| 2 | 76-251-01 | 1 | Lower Output Shaft Assy |
| 3 | 76-04-01 | 1 | Splash Guard Assy |
| 4 | 76-05-01 | 1 | Idler Gear Assy |
| 5 | 76-06-01 | 1 | Crank Shaft Assy |
| 6 | 76-003 | 4 | TIE BAR - AutoCreaser. |
| 7 | 76-011 | 2 | BLADE ADJUSTMENT CAM. |
| 8 | 76-012 | 2 | ADJUSTMENT DISK - AutoCreaser |
| 9 | 76-034-06 | 1 | TIMING PULLEY - 16XL - Short Hub. |
| 10 | 76-047 | 2 | LOCK NUT - Blade Cam. |
| 13 | 76-062-04 | 1 | STEPPER PINION - 20T AutoCreaser 50 |
| 14 | 76-065 | 2 | STEPPER SHIM |
| 15 | 76-101 | 1 | LABEL - Blade Adjustment. |
| 17 | 76-121-01 | 1 | MTG. PLATE - Stepper Motor. |
| 18 | 76-122-01 | 2 | TIE BAR - Female. |
| 19 | 76-123-01 | 1 | TIMING PULLEY - 20XL - Wide Flanged. |
| 20 | 76-142-04 | 1 | SIDE PLATE - Lay Side - Mk3. |
| 21 | 76-142-05 | 1 | SIDE PLATE - AC33 Op. Side Mk3 |
| 22 | 76-166 | 1 | LEAD - Paper Jam Sensor. |
| 23 | 76-167 | 1 | LEAD - Dual Sensor Assy. |
| 24 | 76-168 | 1 | LEAD - Paper Guide Sensor |
| 25 | 76-172 | 1 | BLADE MOTOR & LEAD ASSY. |
| 26 | 76-173 | 1 | DRIVE MOTOR & LEAD ASSY. |
| 27 | 76-175-01 | 1 | INPUT ROLLER ASSY. - Lower |
| 28 | 76-177-01 | 1 | INPUT ROLLER ASSY. - Upper |
| 29 | 76-213-01 | 1 | BLADE SET - 320 Wide Std. Groove. |
| 31 | 56-003-02 | 1 | TIMING PULLEY Wide - 16XL - Flanged. |
| 32 | 56-004-02 | 2 | TIMING PULLEY - 16XL - Un-Flanged. |
| 40 | 608-019 | 2 | Shoulder Bolt - Ø12(M10) x 30 Lg. |
| 51 | 407-01-050-006 | 1 | Screw - Socket Set Knurled - M5 x 6 Lg. |
| 52 | 409-01-040-004 | 4 | Screw - Socket Set - Flat Point - M4 x 4 Lg. |
| 53 | 409-01-050-005 | 3 | Screw - Socket Set - Flat Point - M5 x 5 Lg. |
| 54 | 411-01-040-006 | 4 | Screw - Socket Set - Dog Point - M4 x 6 Lg. |



| ITEM No. | PART No. | QTY. | Description |
|----------|----------------|------|--|
| 12 | 76-054-03 | 1 | TILT PILLAR - AutoCreaser MK3 |
| 16 | 76-105 | 2 | BUFFER - Exit Guard. |
| 30 | 78-013 | 2 | PERFORATOR STRIPPER ASSEMBLY. |
| 33 | 601-124 | 2 | HOLE BUSHING - Split - Ø19. |
| 34 | 602-003 | 2 | BEARING-Deep Groove Ball - 6001-ZZ |
| 35 | 603-046 | 2 | Spirol Pin - Ø4 x 12 Lg. |
| 36 | 604-071 | 4 | Waved Washer - Ø21 x Ø27.5 x 3.0 |
| 37 | 605-052 | 12 | SUPPORT WASHER - Ø12 |
| 38 | 607-042 | 1 | TIMING BELT - 160XL - 15. |
| 39 | 607-048 | 1 | TIMING BELT |
| 41 | 613-027 | 3 | TIE WRAP - Small. |
| 42 | 613-339 | 1 | CABLE TIE MOUNTING |
| 43 | 651-031 | 1 | TERMINAL STRIP - 45° - Single |
| 44 | 401-02-040-006 | 3 | Screw - Pan Pozi Taptite - M4 x 6 Lg. |
| 45 | 401-02-040-008 | 28 | Screw - Pan Pozi Taptite - M4 x 8 Lg. |
| 46 | 401-02-040-016 | 4 | Screw - Pan Pozi Taptite - M4 x 16 Lg. |
| 47 | 403-01-050-016 | 1 | Screw - Socket Cap Head - M5 x 16 Lg. |
| 48 | 403-01-050-025 | 7 | Screw - Socket Cap Head - M5 x 25 Lg. |
| 49 | 403-01-080-020 | 7 | Screw - Socket Cap Head - M8 x 20 Lg. |
| 50 | 405-01-080-020 | 1 | Screw - Button Hd. - M8 x 20 Lg. |
| 55 | 461-01-050 | 7 | Nut - Full - M5 |
| 56 | 461-01-080 | 9 | Nut - Full - M8 |
| 57 | 462-01-080 | 1 | Half Nut - M8 |
| 58 | 481-050 | 15 | Washer - Plain - M5 |
| 59 | 481-080 | 16 | Washer - Plain - M8 |
| 60 | 481-100 | 1 | Washer - Plain - M10 |

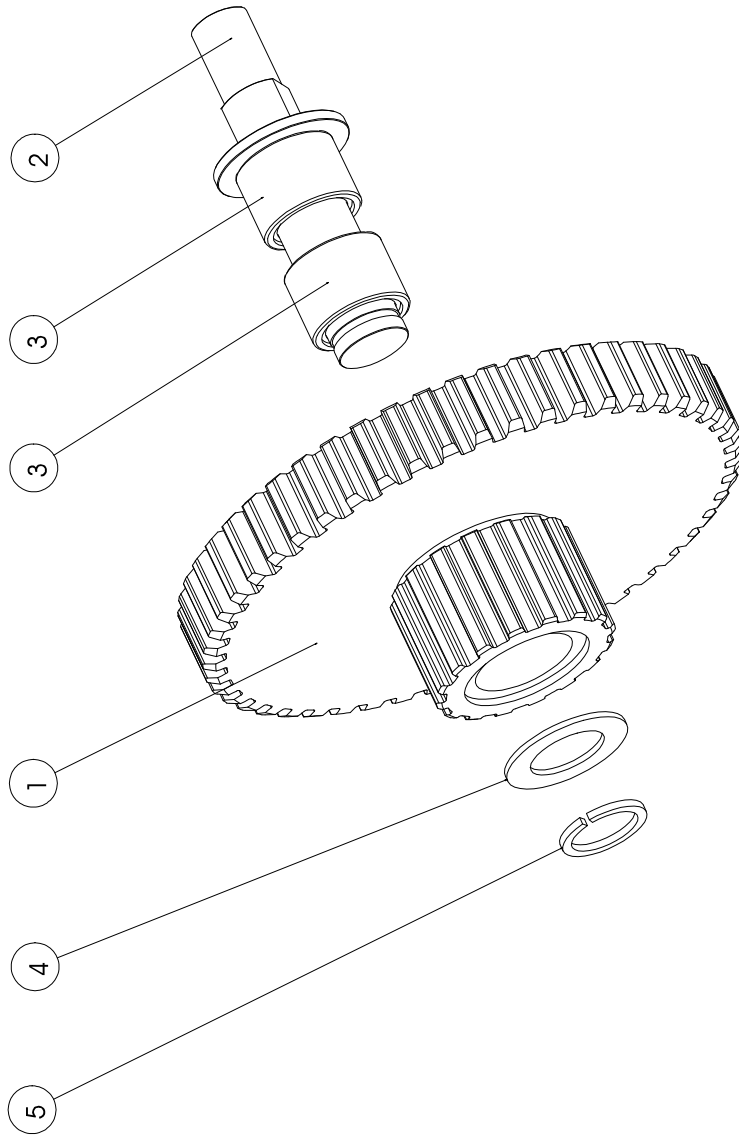
3



76-04-01

(Splash Guard Assembly)

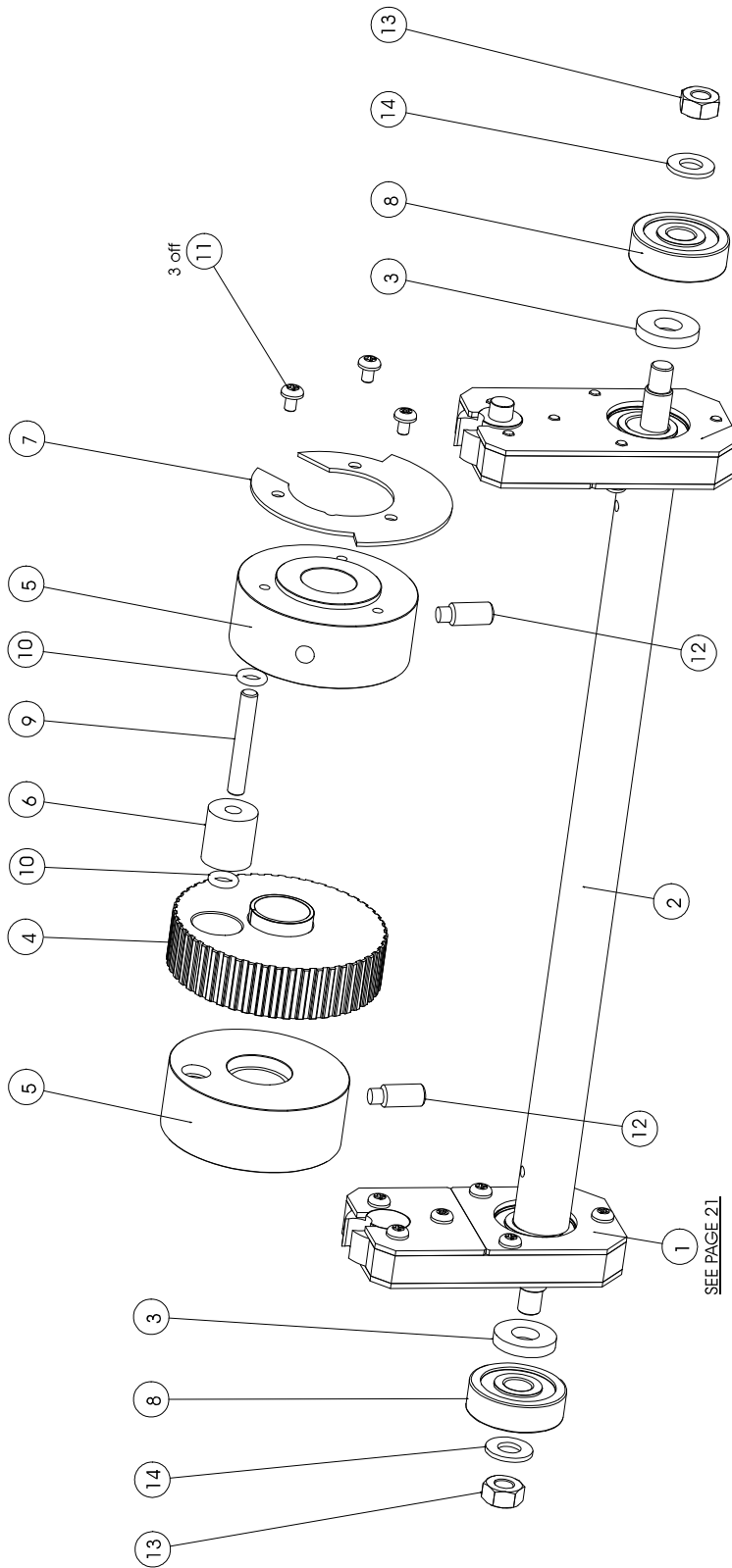
| ITEM No. | PART No. | QTY. | Description |
|----------|----------------|------|---|
| 1 | 75-040 | 1 | STACKER SWITCH ASSY. |
| 2 | 76-004 | 2 | TIE BAR - AutoCreaser - Female. |
| 3 | 76-052-05 | 1 | SPLASH GUARD - AutoCreaser 33 |
| 4 | 76-086-03 | 1 | SHOULDERED PAD - AutoCreaser. |
| 5 | 76-131 | 1 | BRACKET - Combined Switch. |
| 6 | 76-132 | 1 | ADJUSTER PLATE - V3 MicroSwitch. |
| 7 | 76-163-01 | 1 | Slot Detector Bracket - Wide |
| 8 | 76-169 | 1 | SENSOR - Blade Position. |
| 9 | 602-054 | 1 | EP Bush - Ø8 x Ø10 x Ø15 x 5.5 |
| 10 | 613-027 | 3 | TIE WRAP - Small. |
| 11 | 613-191 | 1 | MICROSWITCH |
| 12 | 613-339 | 3 | CABLE TIE MOUNTING |
| 13 | 401-02-030-006 | 2 | Screw - Pan Pozi Taptitite - M3 x 6 Lg. |
| 14 | 401-02-040-006 | 2 | Screw - Pan Pozi Taptitite - M4 x 6 Lg. |
| 15 | 401-02-040-008 | 7 | Screw - Pan Pozi Taptitite - M4 x 8 Lg. |
| 16 | 403-01-030-016 | 1 | Screw - Socket Cap Head - M3 x 16 Lg. |
| 17 | 403-01-030-020 | 1 | Screw - Socket Cap Head - M3 x 20 Lg. |
| 18 | 405-01-040-006 | 1 | Screw - Button Hd. - M4 x 6 Lg. |
| 19 | 461-01-030 | 1 | Nut - Full - M3 |
| 20 | 461-01-080 | 2 | Nut - Full - M8 |
| 21 | 481-030 | 3 | Washer - Plain - M3 |
| 22 | 481-040 | 1 | Washer - Plain - M4 |



| ITEM No. | PART No. | QTY. | Description |
|----------|-----------|------|--|
| 1 | 76-063-03 | 1 | STEPPER IDLER - 50T Gear / 16XL Pulley. |
| 2 | 76-064-02 | 1 | IDLER STUD - AutoCreaser 50. |
| 3 | 602-085 | 2 | BEARING - Drawn Cup Needle Roller - HK1010 |
| 4 | 605-002 | 1 | NYLON WASHER - Ø10.69 X17.45 X 0.79 |
| 5 | 615-043 | 1 | RETAINING RING - External - Ø10 |

76-05-01

(Idler Gear Assembly)



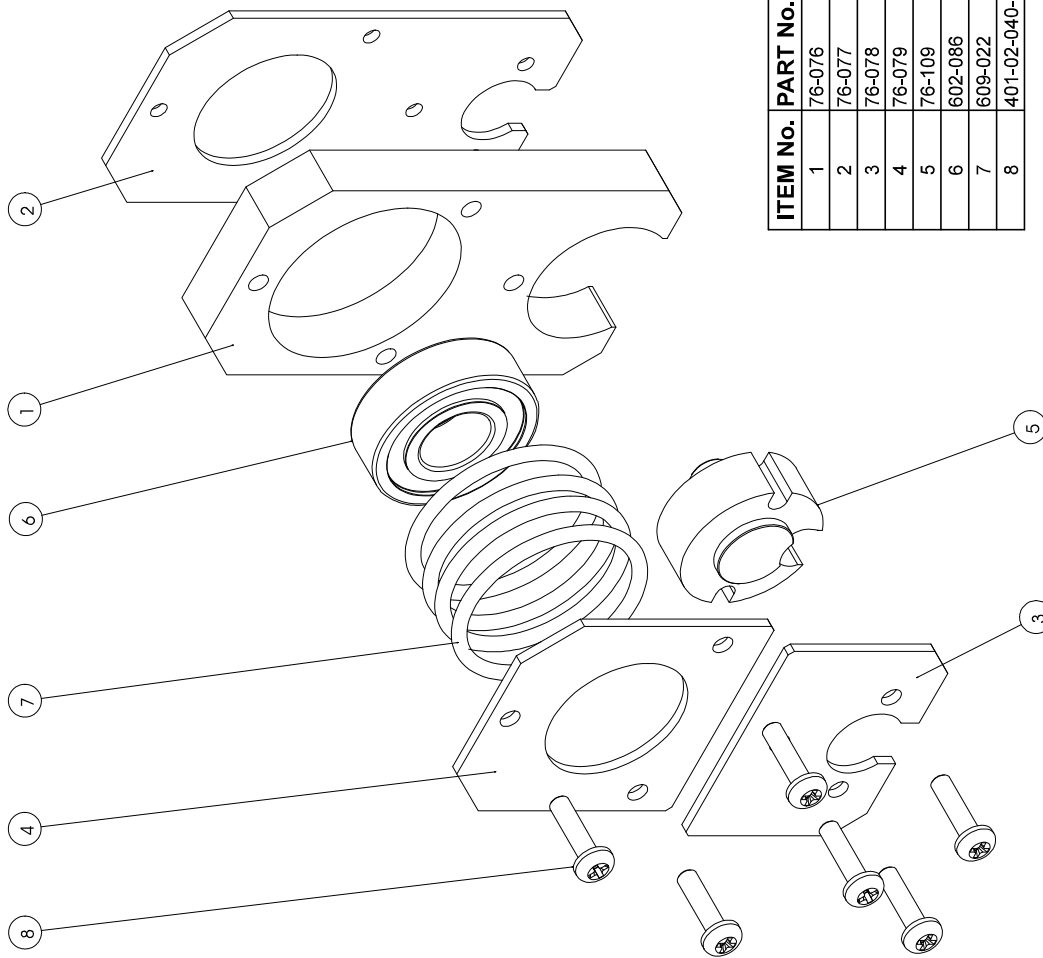
SEE PAGE 21

SEE PAGE 21

| ITEM No. | PART No. | QTY. | Description |
|----------|----------------|------|--|
| 1 | 76-03-01 | 2 | Power Link Assy |
| 2 | 76-015-02 | 1 | CRANK SHAFT - AutoCreaser |
| 3 | 76-016 | 2 | SPACER - Crank Shaft. |
| 4 | 76-125 | 1 | PULLEY ASSY. - Crankshaft. |
| 5 | 76-126 | 2 | TORSION HUB - AutoCreaser. |
| 6 | 76-127 | 1 | Torsion Bush |
| 7 | 76-134-02 | 1 | Slot Detector Disk - Small |
| 8 | 602-082 | 2 | BEARING-DEEP GROOVE BALL - 6300-ZZ |
| 9 | 603-071 | 1 | DOWEL - Ø6 x 40 Lg. |
| 10 | 609-024 | 2 | O'Ring. |
| 11 | 401-02-040-006 | 3 | Screw - Pan Pozi Tapitite - M4 x 6 Lg. |
| 12 | 411-01-080-020 | 2 | Screw - Socket Set - Dog Point - M8 x 20 Lg. |
| 13 | 461-01-080 | 2 | Nut - Full - M8 |
| 14 | 481-080 | 2 | Washer - Plain - M8 |

76-06-01

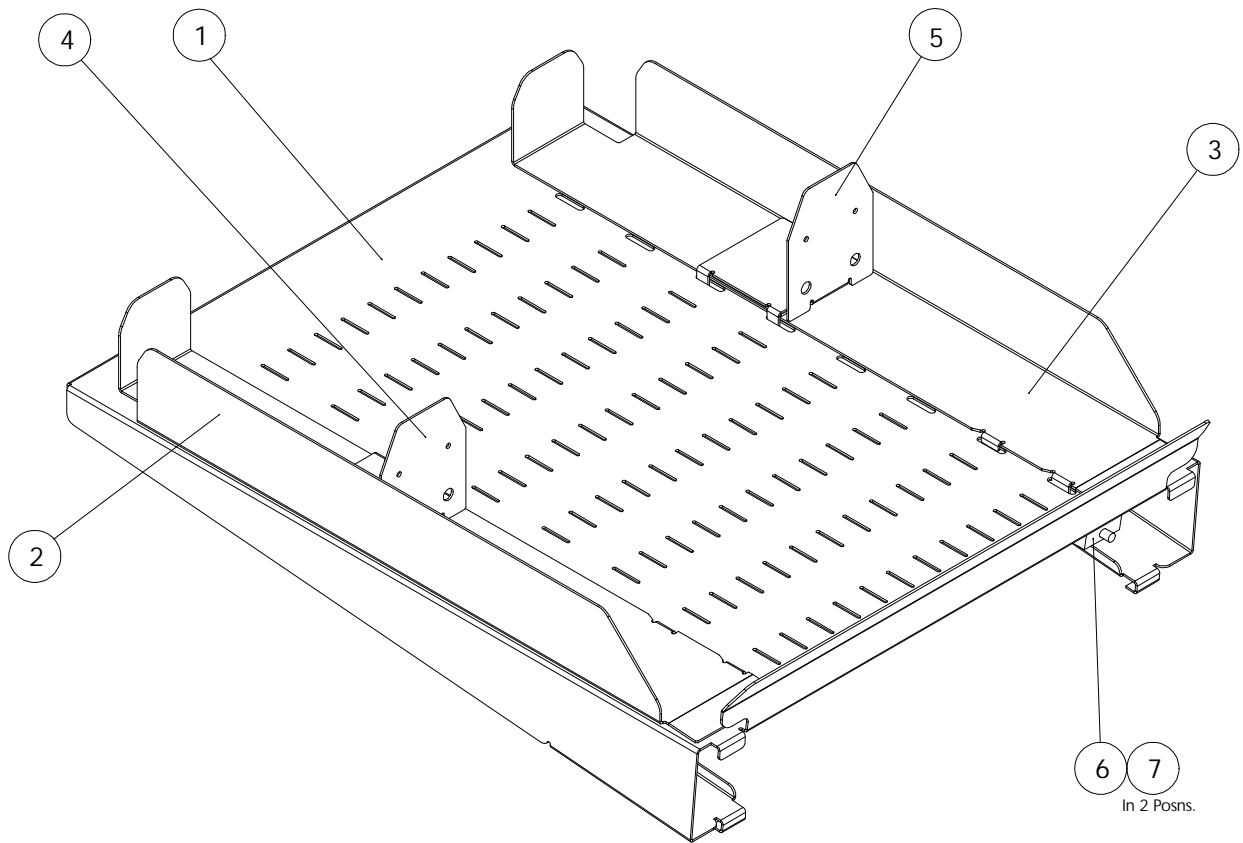
(Crank Shaft Assembly)



| ITEM No. | PART No. | QTY. | Description |
|----------|----------------|------|---|
| 1 | 76-076 | 1 | POWER LINK - Blade Crank Shaft. |
| 2 | 76-077 | 1 | LINK PLATE - Tapped. |
| 3 | 76-078 | 1 | SHOCK RING PLATE. |
| 4 | 76-079 | 1 | LINK - Bearing Plate. |
| 5 | 76-109 | 1 | BEARING - Power Link. |
| 6 | 602-086 | 1 | BEARING-Deep Groove Ball - 6202-ZZ. |
| 7 | 609-022 | 4 | O'Ring. |
| 8 | 401-02-040-016 | 6 | Screw - Pan Pozi Taptitte - M4 x 16 Lg. |

76-03-01
(Power Link Assembly)

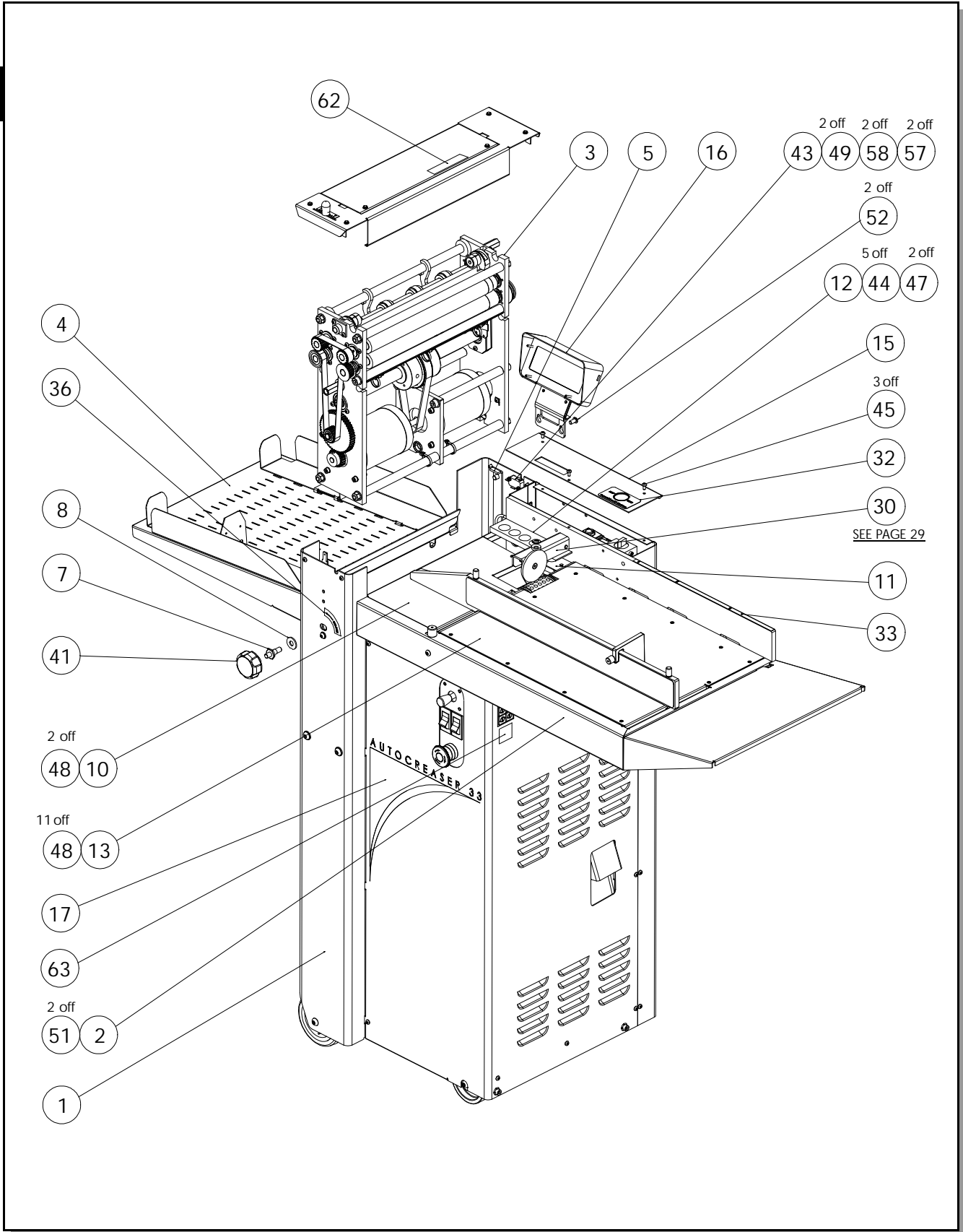
4



| ITEM NO. | PART No. | QTY. | Description |
|-----------------|-----------------|-------------|---------------------------------------|
| 1 | 78-017-02 | 1 | Stacker Bed - Autocreaser 33 |
| 2 | 78-067-01 | 1 | Stacker Side Guide - R/H - Slotted |
| 3 | 78-068-01 | 1 | Stacker Side Guide - L/H - Slotted |
| 4 | 78-069-01 | 1 | Stacker Back Stop - R/H - Slotted |
| 5 | 78-070-01 | 1 | Stacker Back Stop - L/H - Slotted |
| 6 | 78-071-01 | 1 | Actuator Assy. - Stacker |
| 7 | 402-02-050-010 | 2 | Screw - Csk Hd. Taptite - M5 x 10 Lg. |
| | | | |
| | | | |

4

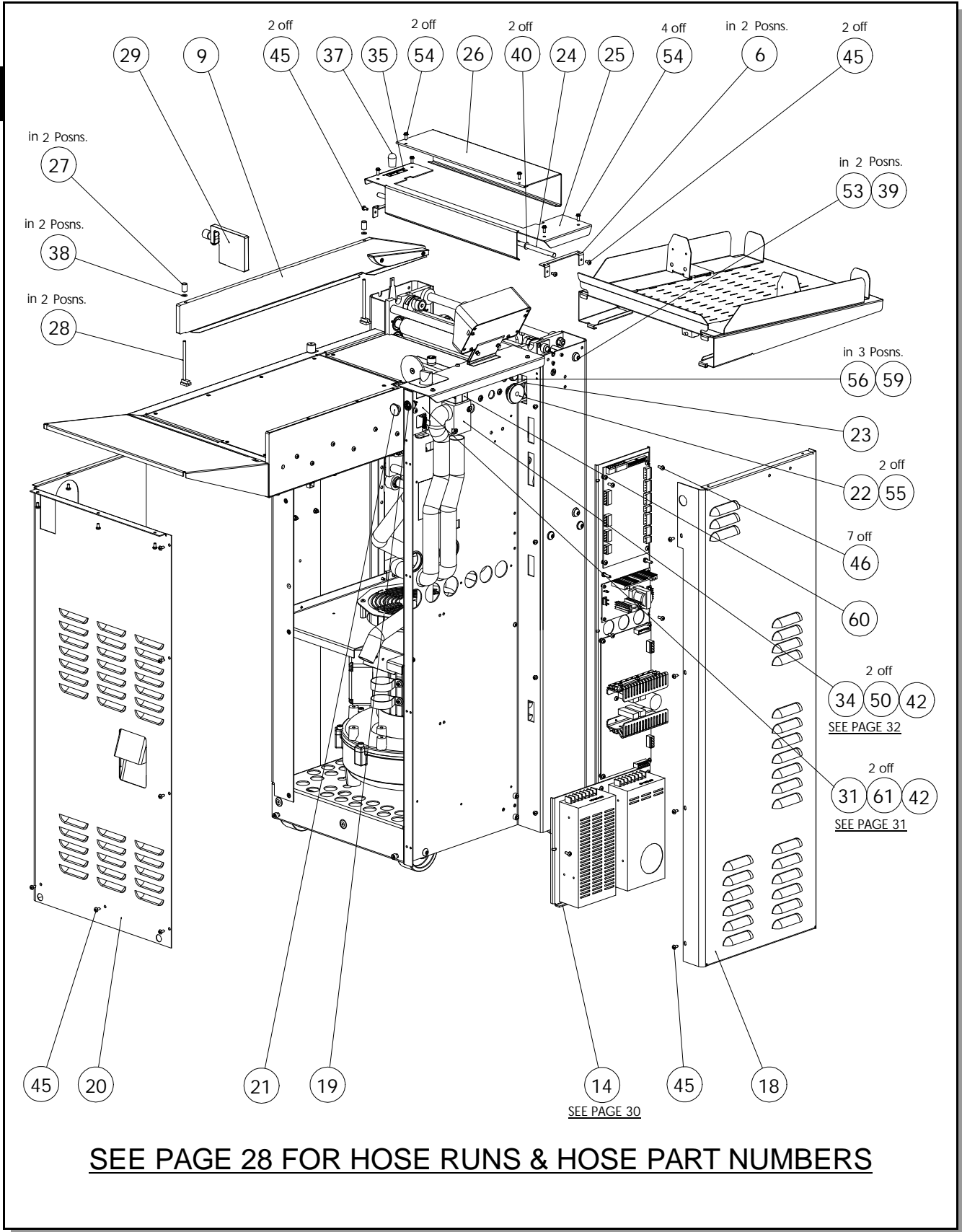
5



| ITEM No. | PART No. | QTY. | Description |
|----------|----------------|------|--|
| 1 | 7-01-12 | 1 | MAIN ASSY. - AutoCreaser 50. |
| 2 | 7-03-11 | 1 | FEED BED ASSY - AutoCreaser 33. |
| 3 | 7-06-11 | 1 | Creasing Unit Assy - AutoCreaser 33 |
| 4 | 7-08-14 | 1 | Slotted Stacker Assy - AC33 |
| 5 | 71-011 | 1 | HINGE PLATE - AutoCreaser. |
| 7 | 71-020 | 1 | LOCKING STUD - Clamp |
| 8 | 71-025 | 1 | Tilt Washer |
| 10 | 74-001-03 | 1 | FEED BED - AutoCreaser 33. |
| 11 | 74-002-02 | 1 | CONTROL BED - AutoCreaser 50. |
| 12 | 74-003 | 1 | BALL HOLDER - AutoCreaser. |
| 13 | 74-050-01 | 1 | Loading Table - AutoCreaser 33. |
| 15 | 75-205-01 | 1 | Top Cover - Service Panel |
| 16 | 75-210-05 | 1 | 4 Line Display Unit - MK3 |
| 17 | 75-224-02 | 1 | LABEL - AutoCreaser 33. |
| 30 | 94-082 | 1 | PAPERGATE ASSEMBLY - Round. |
| 32 | 75-335 | 1 | LABEL - Air Separation |
| 33 | 95-038 | 1 | LABEL - Manifold Numbrs. |
| 36 | 96-060 | 1 | LABEL - Lock |
| 41 | 606-035 | 1 | LOBE KNOB - Female - M8 |
| 43 | 613-351 | 1 | MICROSWITCH |
| 44 | 617-003 | 5 | STEEL BALL - Ø20 |
| 45 | 401-02-040-008 | 25 | Screw - Pan Pozi Taptite - M4 x 8 Lg. |
| 47 | 401-02-050-020 | 2 | Screw - Pan Pozi Taptite - M5 x 20 Lg. |
| 48 | 402-02-030-008 | 13 | Screw - Csk Hd. Taptite - M3 x 8 Lg. |
| 49 | 403-01-030-016 | 2 | SCREW - Socket Cap Head - M3 x 16 Lg. |
| 51 | 405-01-060-010 | 2 | Screw - Button Hd. - M6 x 10 Lg. |
| 52 | 405-01-060-012 | 2 | SCREW - Socket Button Head - M6 x 12 Lg. |
| 57 | 461-01-030 | 2 | NUT - Full - M3 |
| 58 | 481-030 | 2 | WASHER - Plain - M3 |
| 62 | 123-059 | 1 | LABEL - Safety Warnings |
| 63 | 75-387 | 1 | LABEL - Fuse Ratings |

5

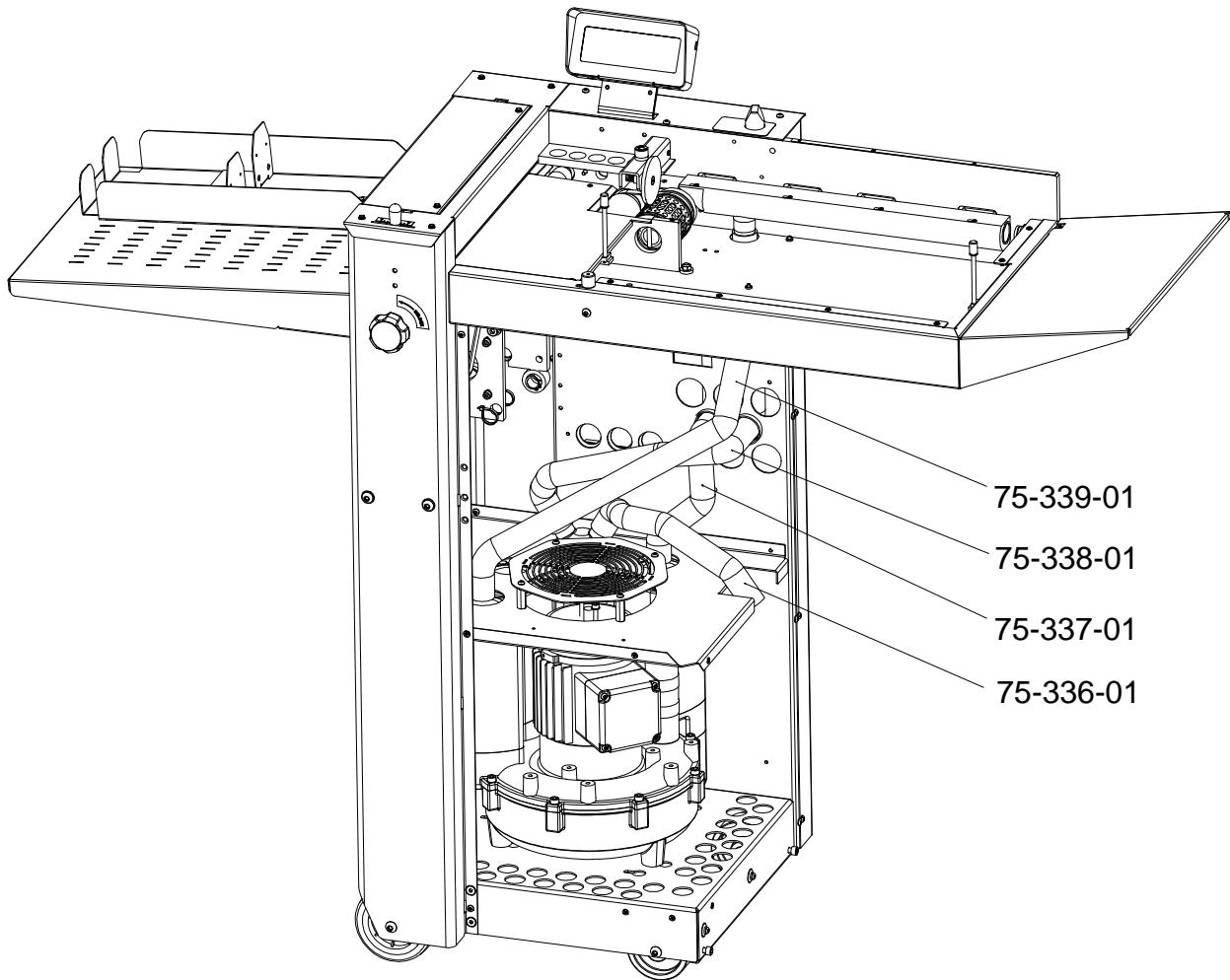
5



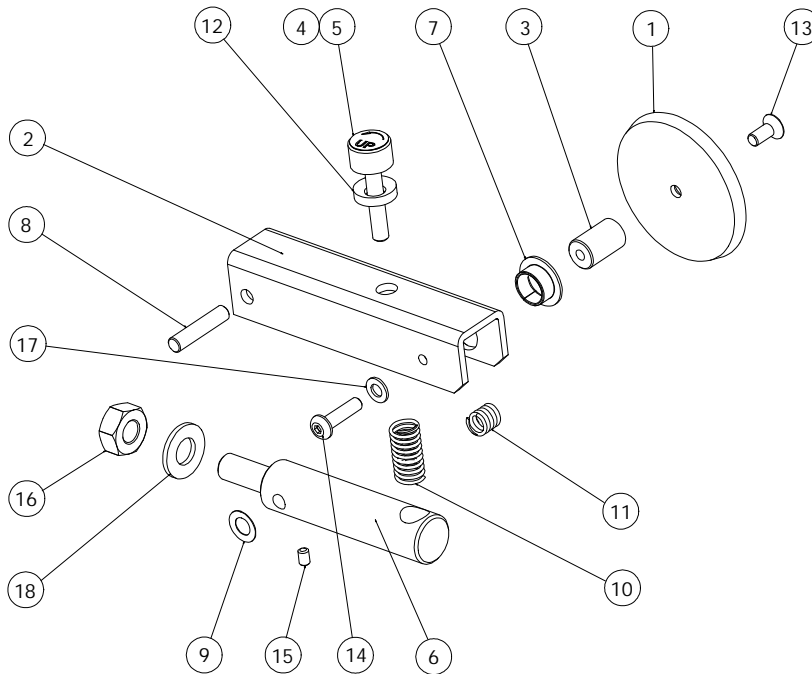
| ITEM No. | PART No. | QTY. | Description |
|----------|----------------|------|--|
| 6 | 71-012-02 | 2 | COVER BRACKET - Mk2. |
| 9 | 74-01-01 | 1 | Moving Sidelay - Metric - AutoCreaser 33 |
| | 74-01-02 | 1 | Moving Sidelay - Imperial - AutoCreaser 33 |
| | 74-01-03 | 1 | Moving Sidelay - French - AutoCreaser 33 |
| | 74-01-04 | 1 | Moving Sidelay - German - AutoCreaser 33 |
| 14 | 75-01-03 | 1 | Control System Assy. AutoCreaser 33 |
| 18 | 75-242-01 | 1 | SERVICE PANEL |
| 19 | 75-255 | 1 | DIN Socket Assy. |
| 20 | 75-293-01 | 1 | COMPRESSOR PANEL - AutoCreaser 33. |
| 21 | 75-333-01 | 1 | EMC BLANKING PLUG - Eng. Socket. |
| 22 | 76-041 | 1 | CORD PULLEY - Driven. |
| 23 | 76-042 | 1 | DRIVE BELT - Feed Bed. |
| 24 | 76-049-04 | 1 | Hinge Shaft - Wide |
| 25 | 76-050-05 | 1 | Entry Guard AC33 |
| 26 | 76-051 | 1 | EXIT GUARD - AutoCreaer. |
| 27 | 94-026 | 2 | CLAMP KNOB - Sidelay. |
| 28 | 94-028 | 2 | LOCK PIN ASSEMBLY. - Side Lay. |
| 29 | 94-058 | 1 | BACKSTOP ASSY. |
| 31 | 73-01-02 | 1 | Plunger Valve Assembly |
| 34 | 73-02-01 | 1 | Suction Valve Assy. |
| 35 | 96-053 | 1 | Label - Roller Tilt |
| 37 | 601-111 | 1 | Tapered Ferrule |
| 38 | 605-043 | 2 | THRUST WASHER - Ø5.1 x Ø9.5 x 0.75 |
| 39 | 605-055 | 2 | WASHER - Self Aligning |
| 40 | 605-056 | 2 | THRUST WASHER - Ø12.7 x Ø8.00 x 0.81 |
| 42 | 609-013 | 2 | 'O' Ring Ø25 x Ø2.5 |
| 45 | 401-02-040-008 | 25 | Screw - Pan Pozi Taptite - M4 x 8 Lg. |
| 46 | 401-02-040-010 | 7 | Screw - Pan Pozi Taptite - M4 x 10 Lg. |
| 50 | 403-01-050-035 | 2 | SCREW - Socket Cap Head - M5 x 35 Lg. |
| 53 | 405-01-080-016 | 2 | SCREW - Socket Button Head - M8 x 16 g. |
| 54 | 406-01-040-006 | 6 | SCREW - Tamperproof - M4 x 6 Lg |
| 55 | 409-01-050-005 | 2 | Screw - Socket Set - Flat Point - M5 x 5 Lg. |
| 56 | 415-01-080-012 | 3 | Screw - Hexagon Head - M8 x 12 Lg. |
| 59 | 481-080 | 3 | Washer - Plain - M8 |
| 60 | 613-255 | 1 | Solenoid Coil |
| 61 | 401-02-050-012 | 2 | Screw - Pan Pozi Taptite - M5 x 12 Lg. |

5

5



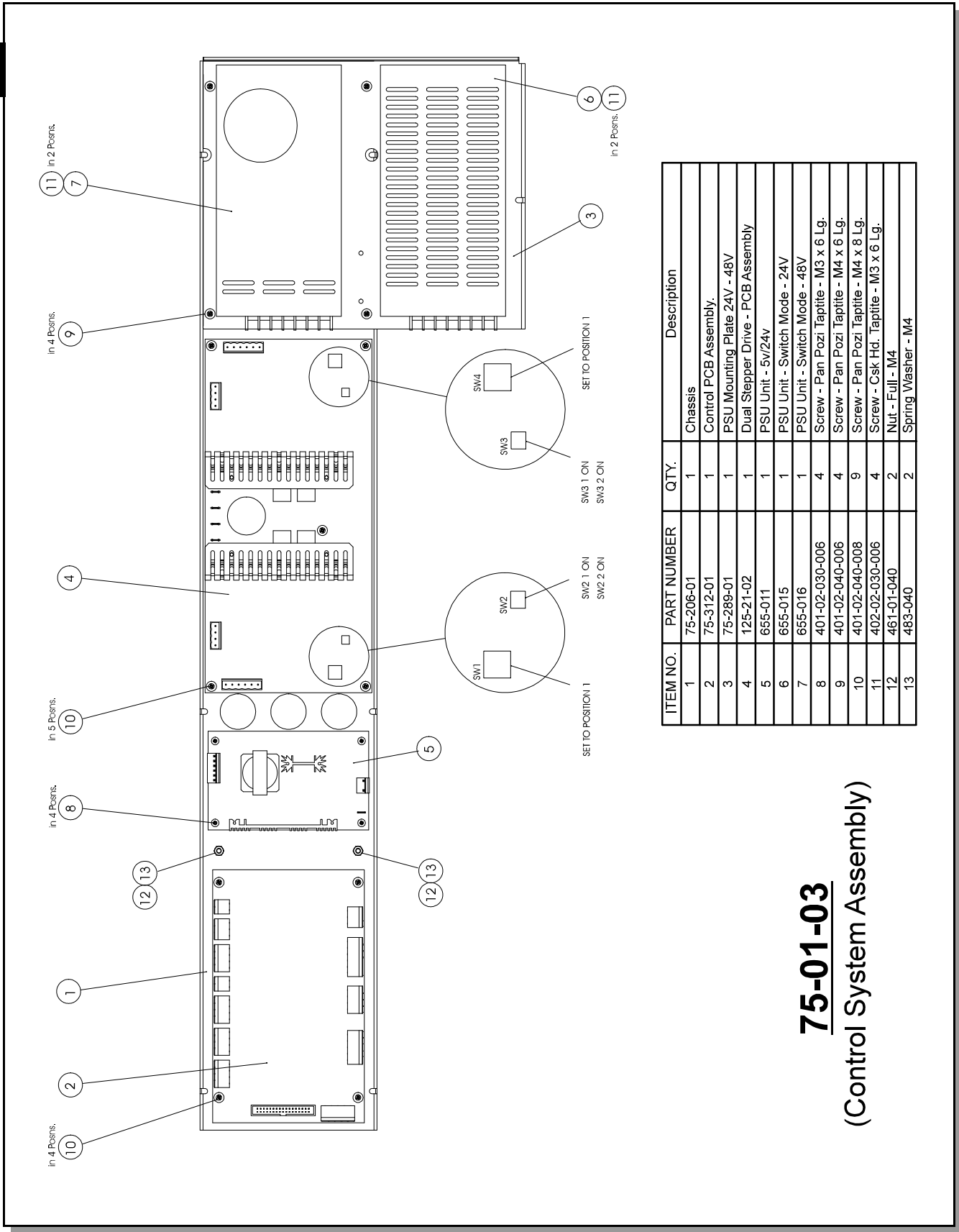
INTERNAL VIEW SHOWING HOSE RUNS & HOSE PART NUMBERS



| ITEM NO. | PART NUMBER | QTY. | Description |
|----------|----------------|------|---|
| 1 | 48-005 | 1 | Rotary Paper Gate |
| 2 | 74-010 | 1 | Papergate Chassis |
| 3 | 74-011 | 1 | Spindle - Papergate |
| 4 | 94-020 | 1 | Knob - Papergate |
| 5 | 94-021 | 1 | Label - Papergate 'UP' |
| 6 | 94-059 | 1 | Support Post |
| 7 | 602-057 | 1 | DU Bush - Ø12 x Ø14 x Ø20 x 7 Long |
| 8 | 603-050 | 1 | Dowel - Ø6 x 28 Lg. |
| 9 | 604-037 | 1 | Disc Spring - Bearing Location |
| 10 | 604-061 | 1 | Spring - Compression |
| 11 | 604-078 | 1 | Spring - Compression |
| 12 | 605-041 | 1 | Spherical Seating Washer |
| 13 | 404-01-050-012 | 1 | Screw - Socket Countersunk - M5 x 20 Lg. |
| 14 | 401-02-050-020 | 1 | Screw - Pan Hd. Pozi - M5 x 20 Lg. |
| 15 | 409-01-040-006 | 1 | Screw - Socket Set - Flat Point -M4 x 6 Lg. |
| 16 | 461-01-100 | 1 | Nut - Full - M10 |
| 17 | 481-050 | 1 | Washer - Plain - M5 |
| 18 | 481-100 | 1 | Washer - Plain - M10 |

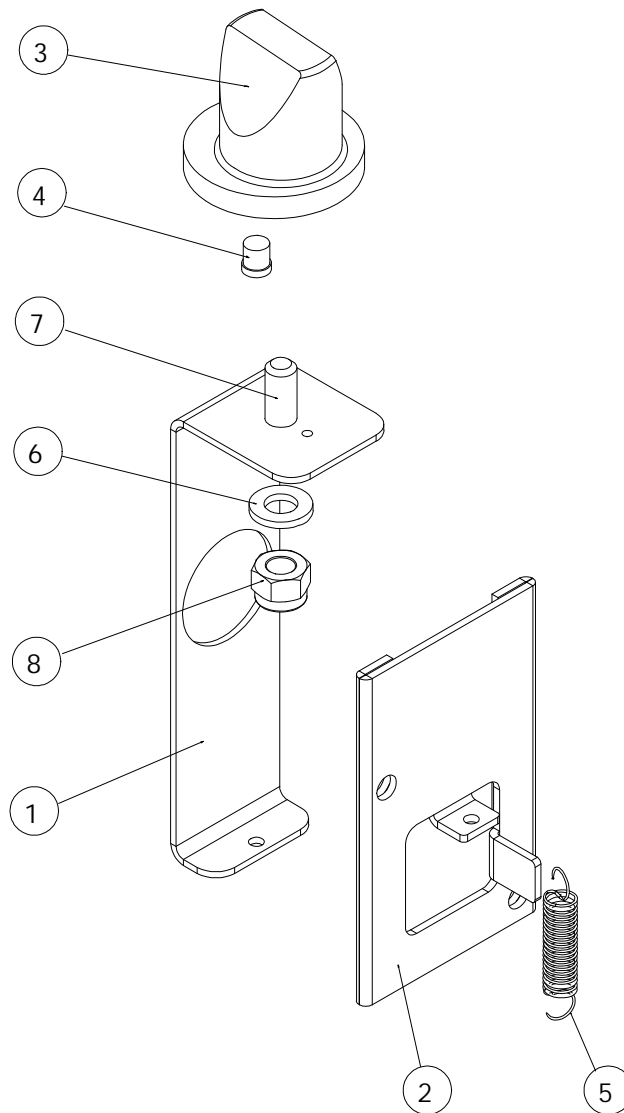
94-082
(Papergate Assembly)

5



| ITEM NO. | PART NUMBER | QTY. | Description |
|----------|----------------|------|--|
| 1 | 75-206-01 | 1 | Chassis |
| 2 | 75-312-01 | 1 | Control PCB Assembly. |
| 3 | 75-289-01 | 1 | PSU Mounting Plate 24V - 48V |
| 4 | 125-21-02 | 1 | Dual Stepper Drive - PCB Assembly |
| 5 | 655-011 | 1 | PSU Unit - 5v/24v |
| 6 | 655-015 | 1 | PSU Unit - Switch Mode - 24V |
| 7 | 655-016 | 1 | PSU Unit - Switch Mode - 48V |
| 8 | 401-02-030-006 | 4 | Screw - Pan Pozi Tapitite - M3 x 6 Lg. |
| 9 | 401-02-040-006 | 4 | Screw - Pan Pozi Tapitite - M4 x 6 Lg. |
| 10 | 401-02-040-008 | 9 | Screw - Pan Pozi Tapitite - M4 x 8 Lg. |
| 11 | 402-02-030-006 | 4 | Screw - Csk Hd. Tapitite - M3 x 6 Lg. |
| 12 | 461-01-040 | 2 | Nut - Full - M4 |
| 13 | 483-040 | 2 | Spring Washer - M4 |

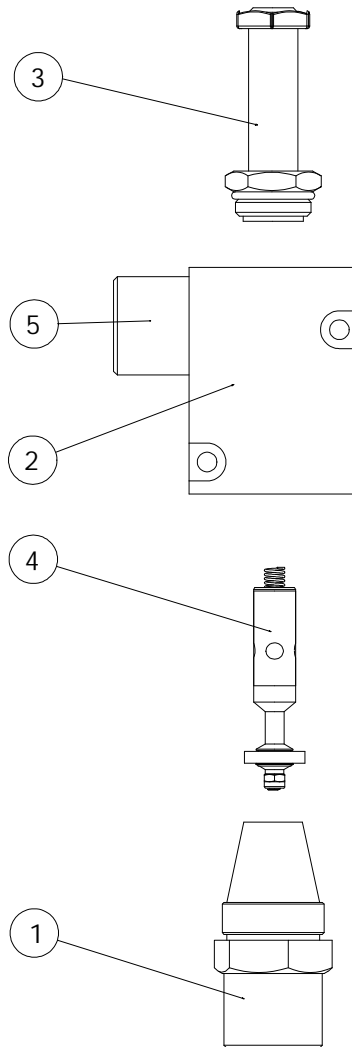
75-01-03
(Control System Assembly)



| ITEM No. | PART No. | QTY. | Description |
|----------|----------------|------|---|
| 1 | 71-056-01 | 1 | SLIDING VALVE PLATE |
| 2 | 71-057-01 | 1 | VALVE GUIDE PLATE |
| 3 | 71-060-02 | 1 | VALVE PLATE KNOB |
| 4 | 601-160 | 1 | SPRING PLUNGER - PRESS IN |
| 5 | 604-093 | 1 | SPRING - EXTENSION |
| 6 | 605-021 | 1 | THRUST WASHER - Ø8 x Ø15.88 x 0.79 |
| 7 | 409-01-060-025 | 1 | SCREW - SOCKET SET - FLAT PT. - M6 x 25 LG. |
| 8 | 464-01-060 | 1 | NUT - NYLOC - M6 |

73-01-02
(Plunger Valve Assembly)

5



| ITEM No. | PART No. | QTY. | Description |
|----------|-----------|------|------------------------------------|
| 1 | 95-011 | 1 | SOLENOID VALVE SEAT (50 Hz) (UK). |
| | 95-136 | 1 | SOLENOID VALVE SEAT (60 Hz) (USA). |
| 2 | 95-012 | 1 | SOLENOID VALVE BLOCK |
| 3 | 613-136 | 1 | TUBE & NUT ASSY. |
| 4 | 613-137 | 1 | SPRING & PLUNGER ASSY. - Mk2. |
| 5 | 71-061-01 | 1 | VALVE BLOCK PORT ADAPTOR |

73-02-01
(Suction Valve Assembly)

