

Standard Horizon PF-P280 Paper Folder

Parts List



Provided By

MyBinding.com®
When Image Matters.

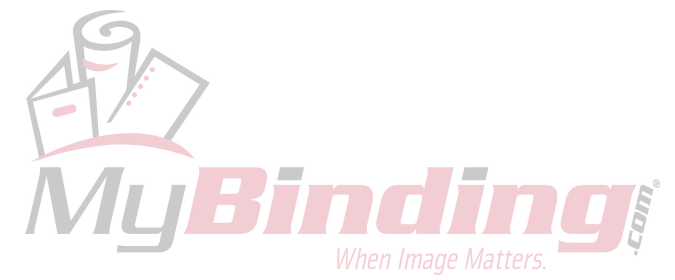
PARTS MANUAL

Standard Horizon PF-P280 Folder

Read this manual, and thoroughly familiarize yourself with its contents before operating or servicing this equipment.

PM_PFP280





Important Information

This parts book is designed to help you to have easy access to a part or parts you need. Whenever you need to locate a part or parts of the machine involved in repair, service or for some other reason, please use this Parts Book as a guide source reference.

When ordering a part or parts, please be sure to give us the following parts information.

1. Quantity
2. Parts No.
3. Model Name
4. Machine Serial Number

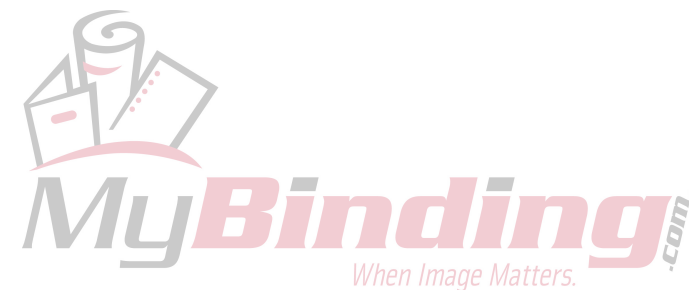
(Example)

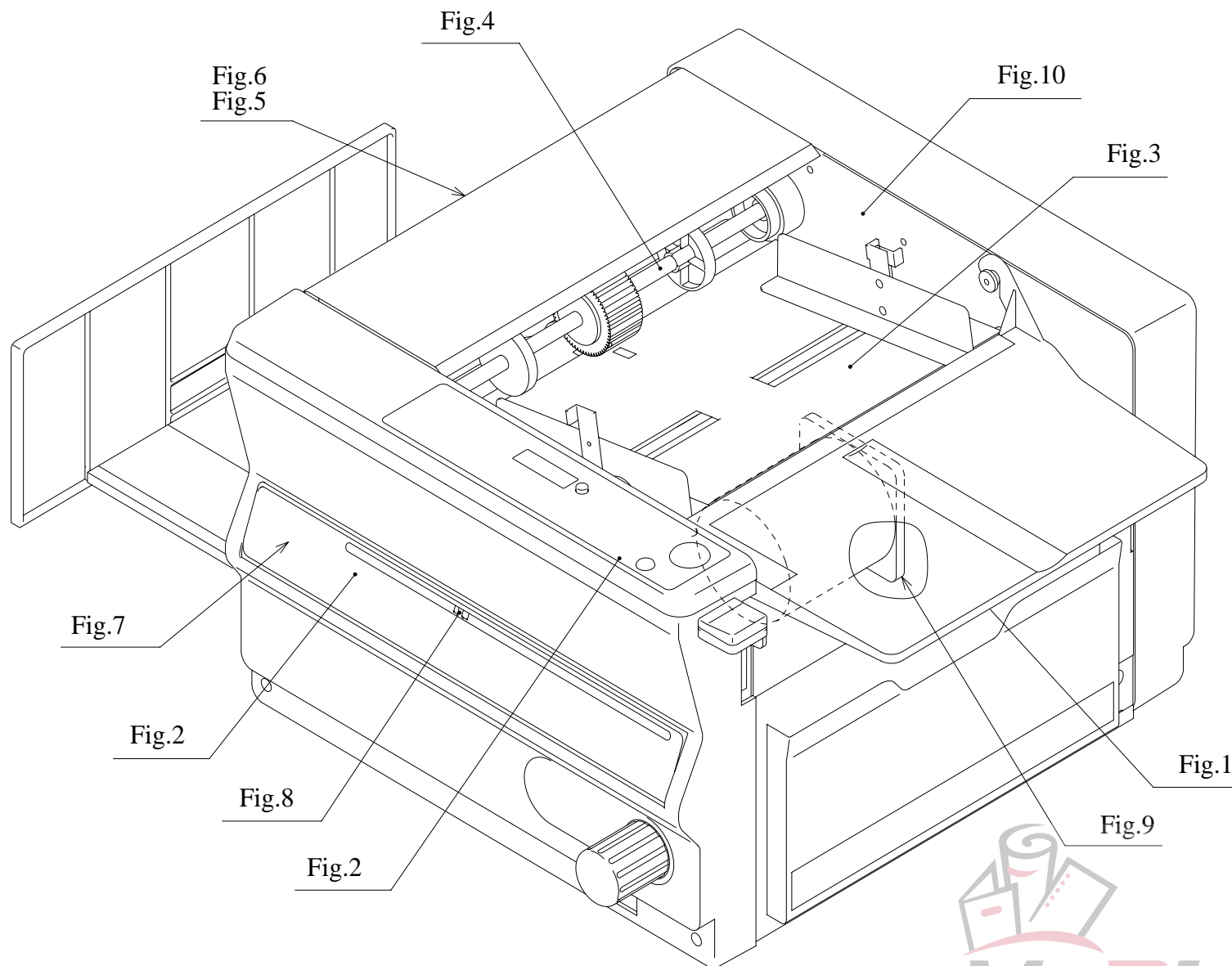
Qty	Parts No.	Model	S/N
2	M009999-99	ABC-12	001001

In the Remark column, additional information is provided with abbreviation style. Please check the Remark column to find necessary parts.

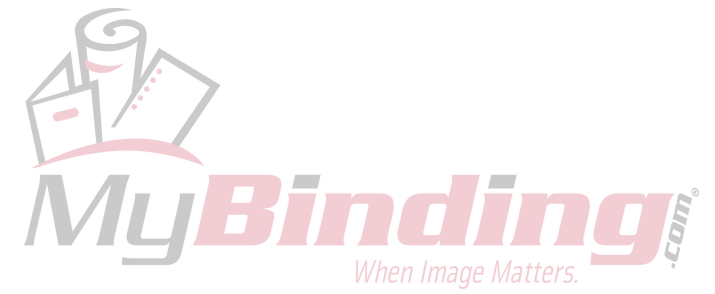
(Abbreviation)

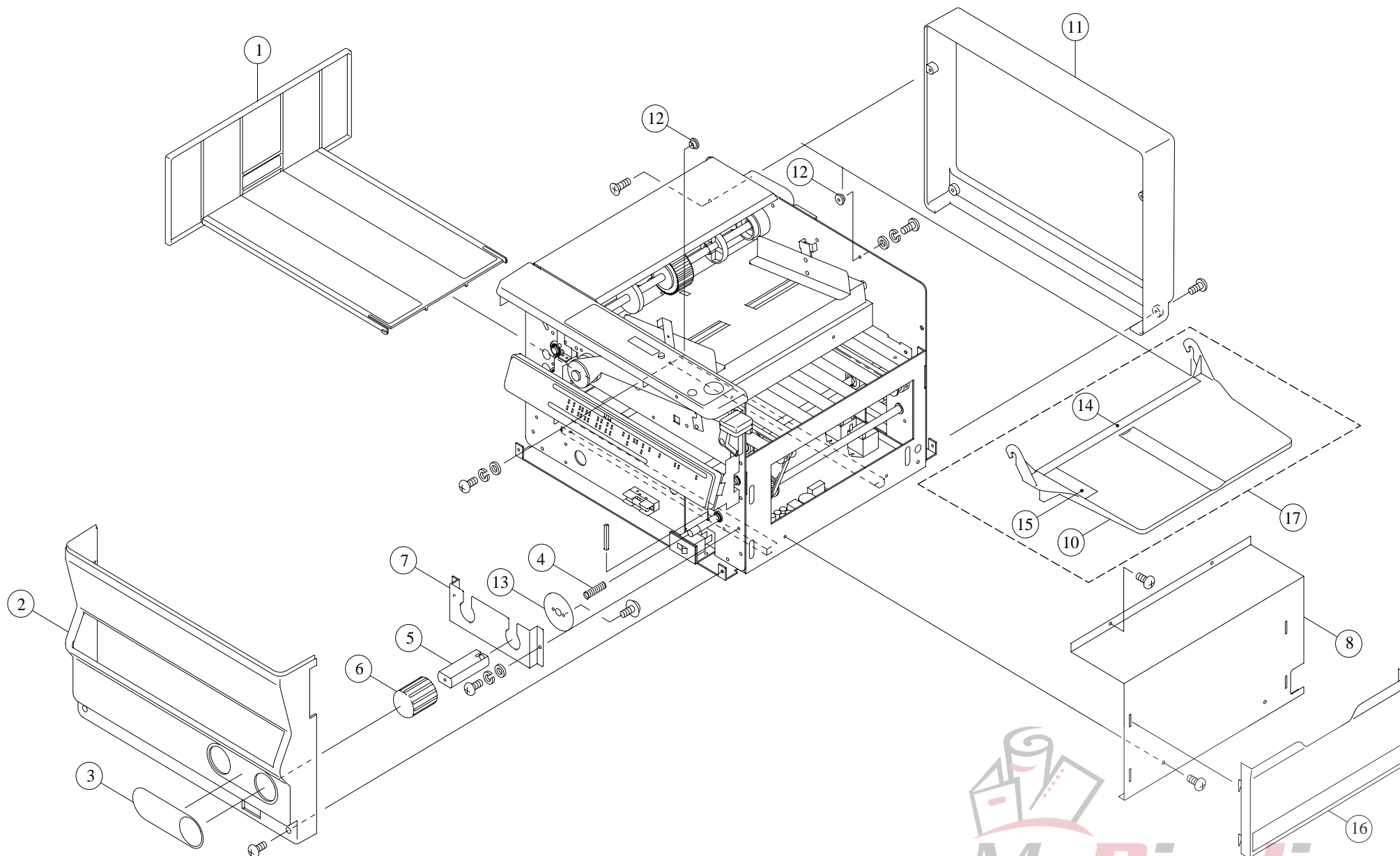
IND.1-10	Assembled parts using parts through Ind.1 to 10
S/N From	Parts applied to machines from stated S/N
S/N To	Parts applied to machines up to stated S/N
国内/JP	Only for Japanese Version
海外/EX	Only for Overseas Version
400V	Only for 400V Machine
230V	Only for 230V Machine
220V	Only for 220V Machine
200V	Only for 200V Machine
115V	Only for 115V Machine
100V	Only for 100V Machine
mm	Only for mm Version
inch	Only for inch Version
Compatible	Compatible with Mxxxxxx-xx





PAGE INTENTIONALLY BLANK

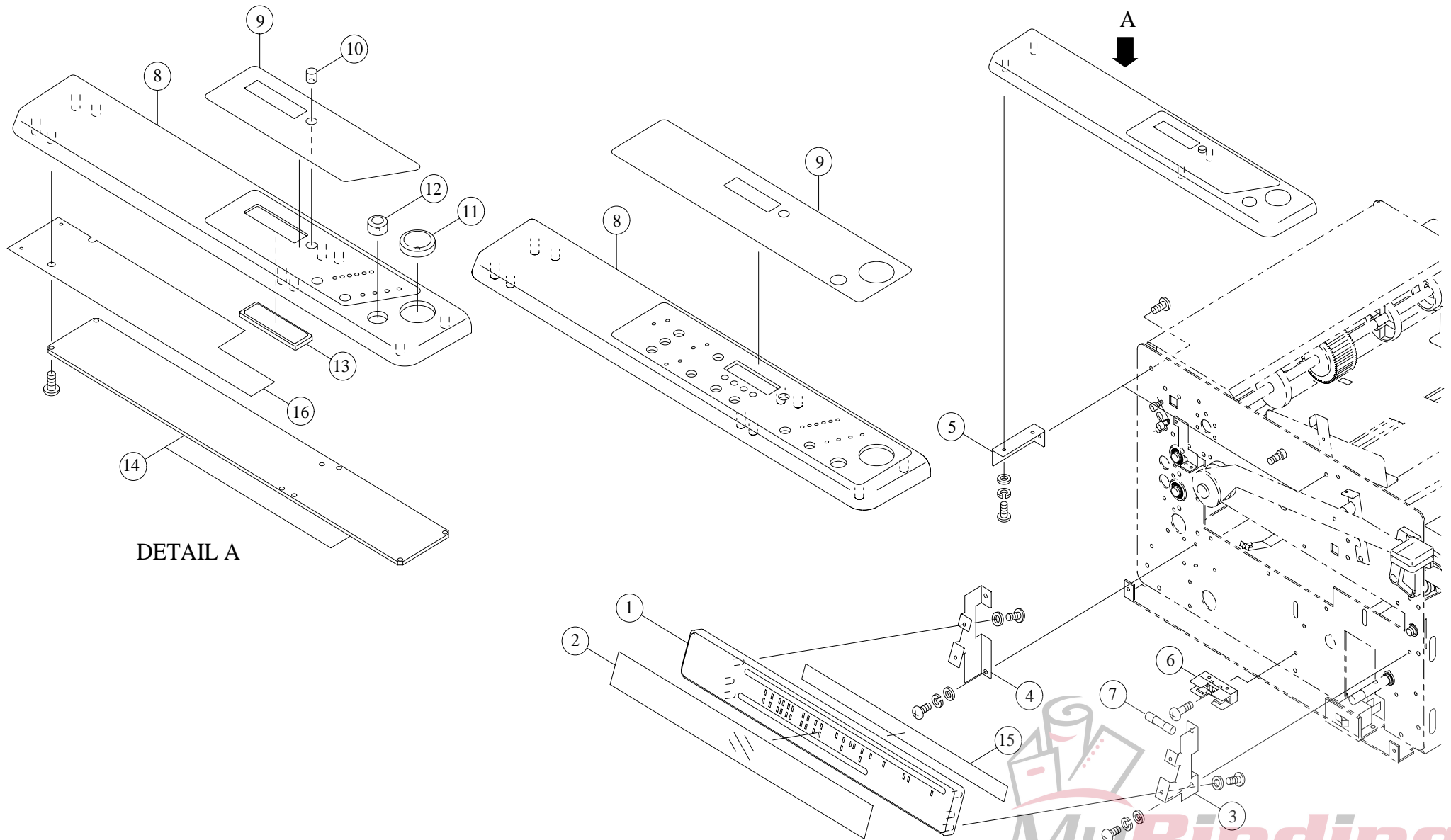




PF-P280

Fig. 1

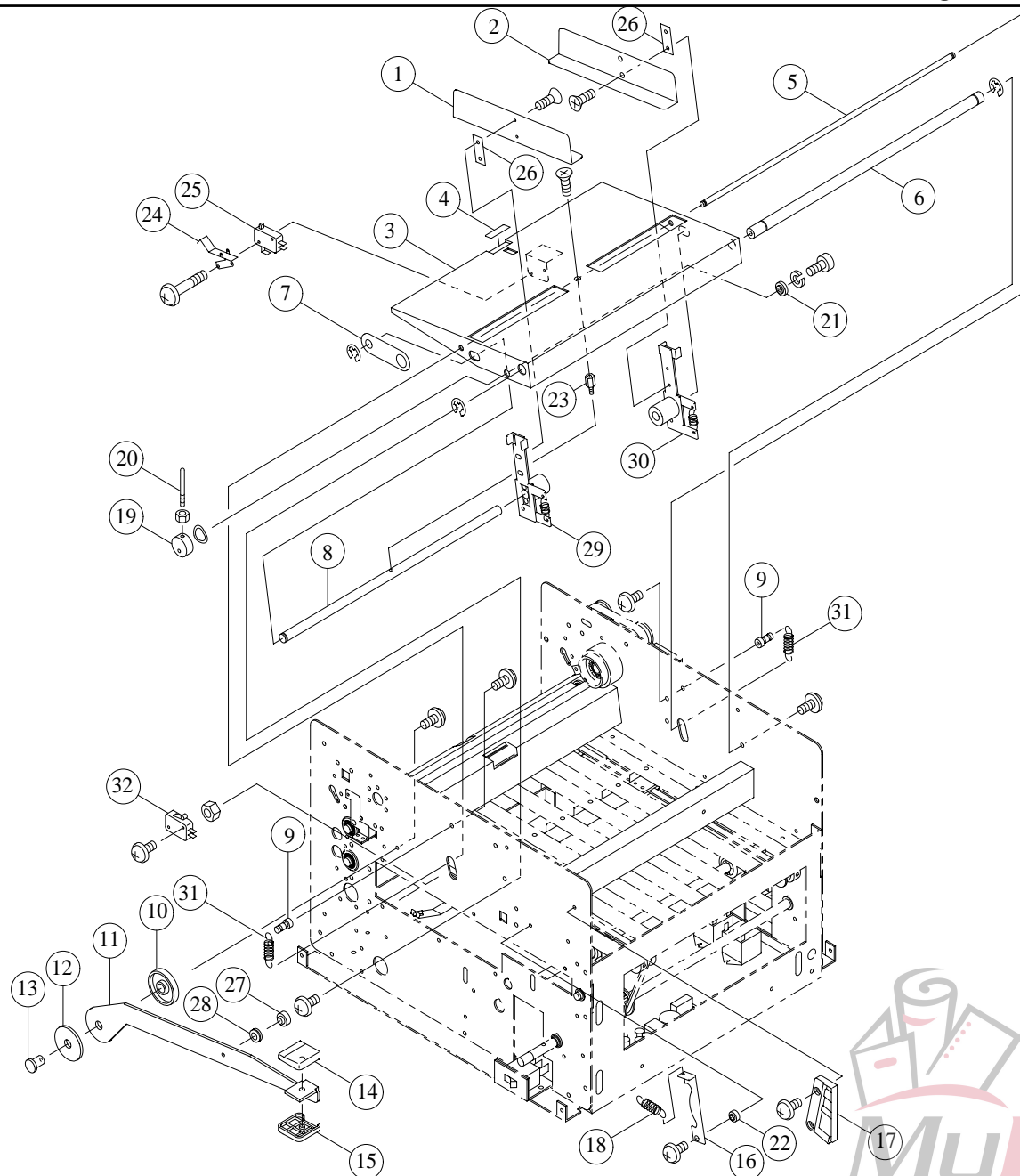
INDEX	Parts No.	Description	Qty	Price	S/N From	To	Remarks
1	M032256-10	TRAY	1				
2	M032262-00	FRONT COVER	1				
3	4009293-00	PANEL	1				
4	M032255-01	SPRING	1				
5	M032261-00	BUSH	1				
6	M032260-00	HANDLE	1				
7	M032254-00	BRACKET	1				
8	M032158-11	SIDE COVER	1				
10	M015201-20	SUB TABLE	1				
11	M032263-00	REAR COVER	1				
12	M032174-10	PIN	2				
13	M032253-00	STOPPER PLATE	1				
14	4009178-00	LABEL	1				
15	4009325-00	LABEL	1				In English
15	4013366-00	LABEL	1				In German
16	M032276-00	CASE	1				
17	A942302-00	SUB TABLE AS	1				In English
17	A942304-00	SUB TABLE AS	1				In German



DETAIL A

PF-P280

INDEX	Parts No.	Description	Qty	Price	S/N From	To	Remarks
1	M032237-10	PANEL	1				
2	M032259-02	PANEL COVER	1				
3	M032235-03	PLATE(R)	1				
4	M032236-13	PLATE(L)	1				
5	M015193-01	BRACKET	2				
6	4007932-00	FUSE HOLDER	1				
7	4003191-00	FUSE	1				125V-4A
8	M032231-20	PANEL	1			018899	
8	M093025-00	PANEL	1		019001		
9	4009291-00	PANEL LABEL	1			018899	
9	4009291-10	PANEL LABEL	1		019001		
10	M032234-10	BUTTON	1				
11	M032232-10	START BUTTON	1				
12	M032233-10	BUTTON	1			018899	
12	M093026-01	BUTTON	1		019001		
13	M027087-01	COUNTER COVER	1				
14	QPW-444	P.C.B.	1				
15	M032265-00	COVER	1				
16	M032286-00	INSULATING SHEET	1		003021		



PF-P280

Fig. 3

INDEX	Parts No.	Description	Qty	Price	S/N From	To	Remarks
1	M032170-12	FEED GUIDE(F)	1				
2	M032171-12	FEED GUIDE(R)	1				
3	M032166-13	FEED TABLE	1				
4	M007827-00	RUBBER SHEET	1				
5	M032172-02	SHAFT	1				
6	M032168-10	SHAFT	1				
7	M032246-00	LINK	1				
8	M032169-10	GUIDE SHAFT	1				
9	M032173-02	SPRING HOOK	2				
10	M015048-01	WASHER(2)	1				
11	M032175-10	SET LEVER	1				
12	M015047-01	WASHER(1)	1				
13	M015044-03	SET LEVER SHAFT	1				
14	M015177-10	KNOB(UPPER)	1				
15	M015178-10	KNOB(LOWER)	1				
16	M032176-11	LEVER CAM	1			022899	
16	M032176-20	LEVER CAM	1		023001		
17	M015049-10	GUIDE	1				
18	M032251-00	SPRING	1				
19	M032245-00	ECCENTRIC SHAFT	1				
20	M032247-01	LEVER	1				
21	M032248-01	SPACER	1				
22	M015051-00	CAM FULCRUM	1				
23	M015122-00	GUIDE SHAFT PIN	1				
24	M007824-00	ACTUATOR	1				
25	4000804-00	MICROSWITCH	1				
26	M010375-00	SPACER	2				
27	M015043-01	LEVER PIN	1				
28	M015042-01	LEVER ROLLER	1				
29	M010366AS	SET PLATE A(F)	1				
30	M010367AS	SET PLATE A(R)	1				



PF-P280

Fig. 3

INDEX	Parts No.	Description	Qty	Price	S/N From	To	Remarks
31	M032239-01	SPRING	2				
32	4000803-00	MICRO SWITCH	1				

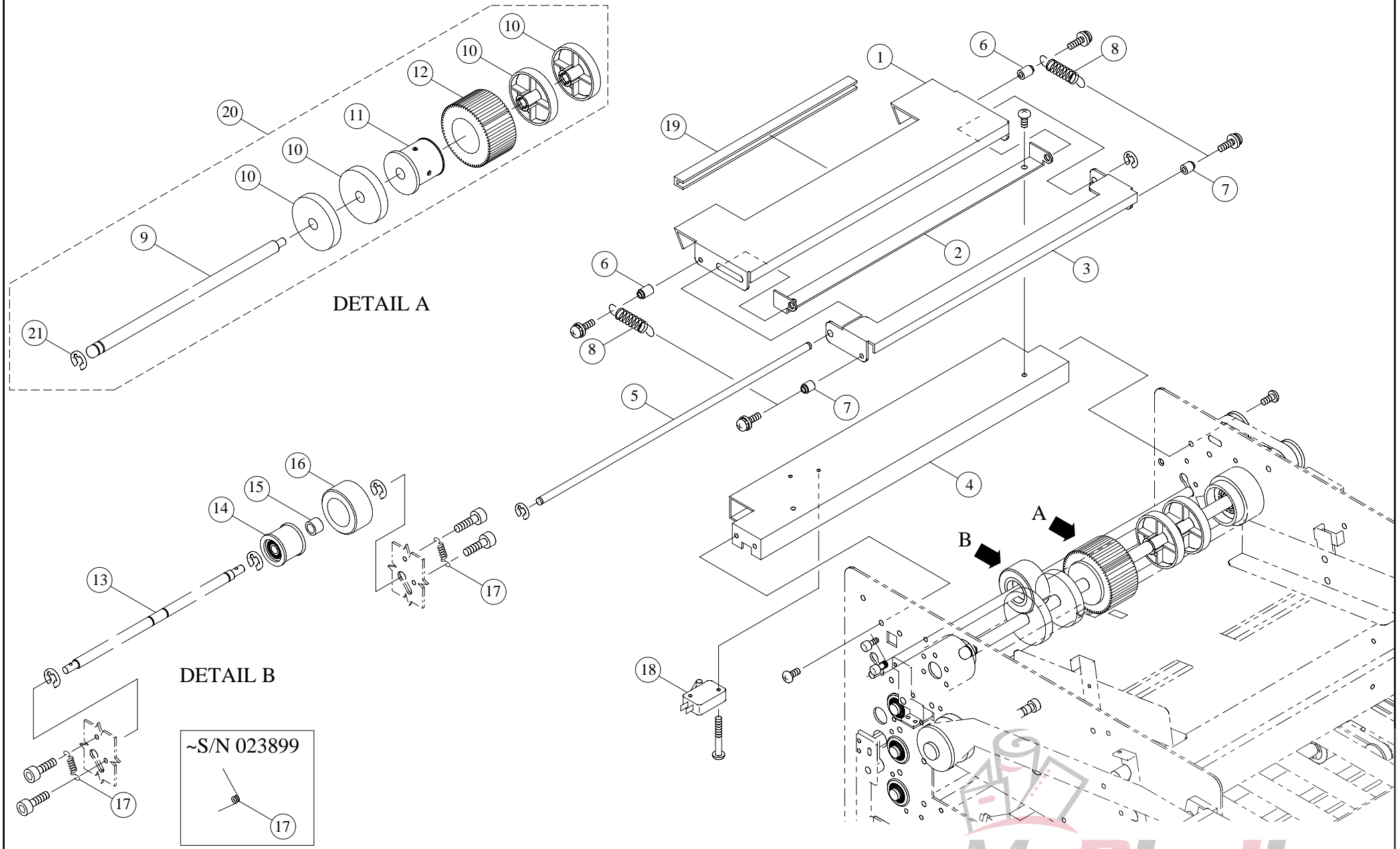
PAGE INTENTIONALLY BLANK



Horizon

PF-P280

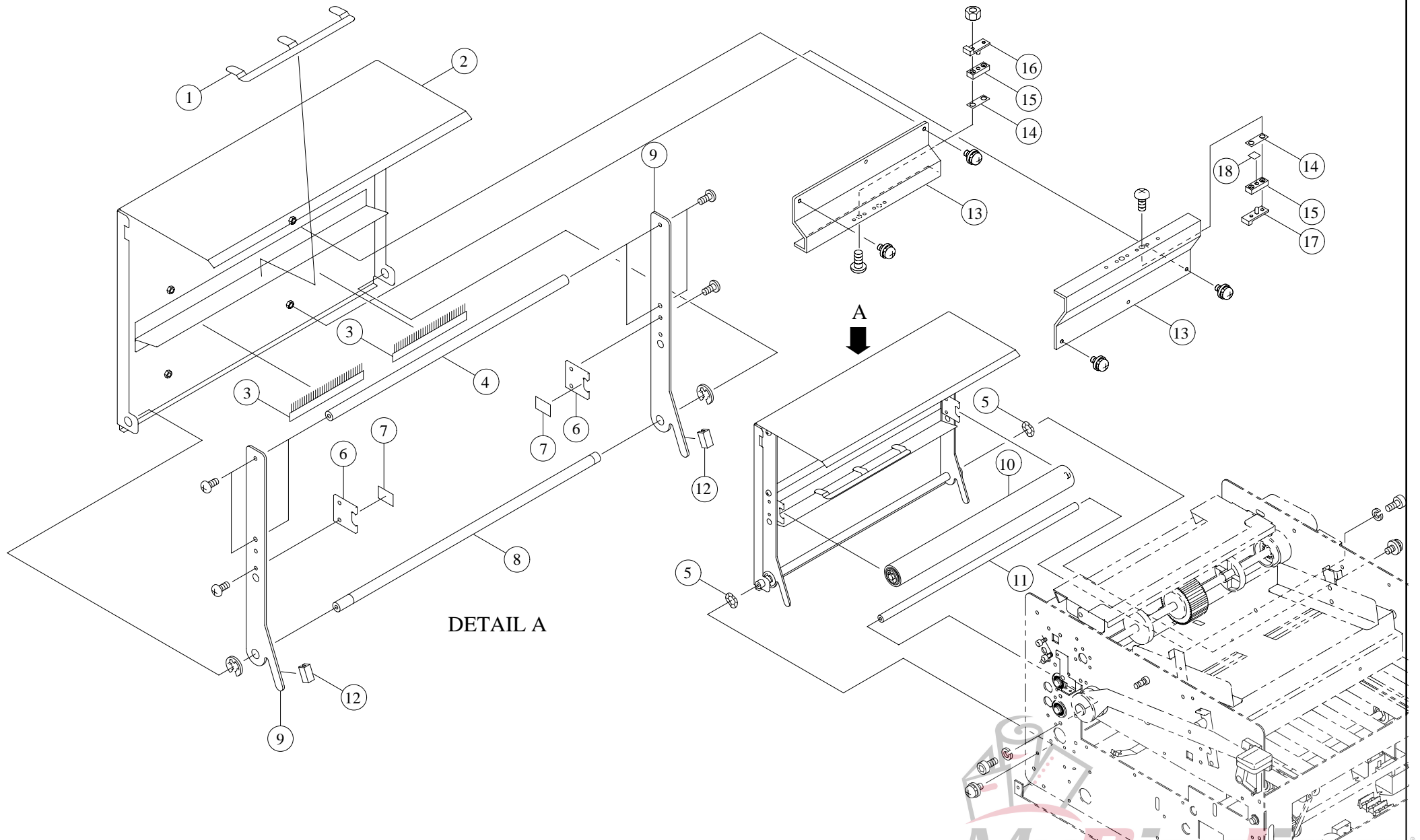
Fig.4 Folding Rollers



PF-P280

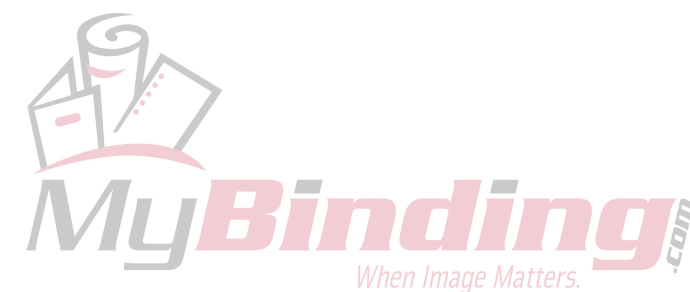
Fig. 4

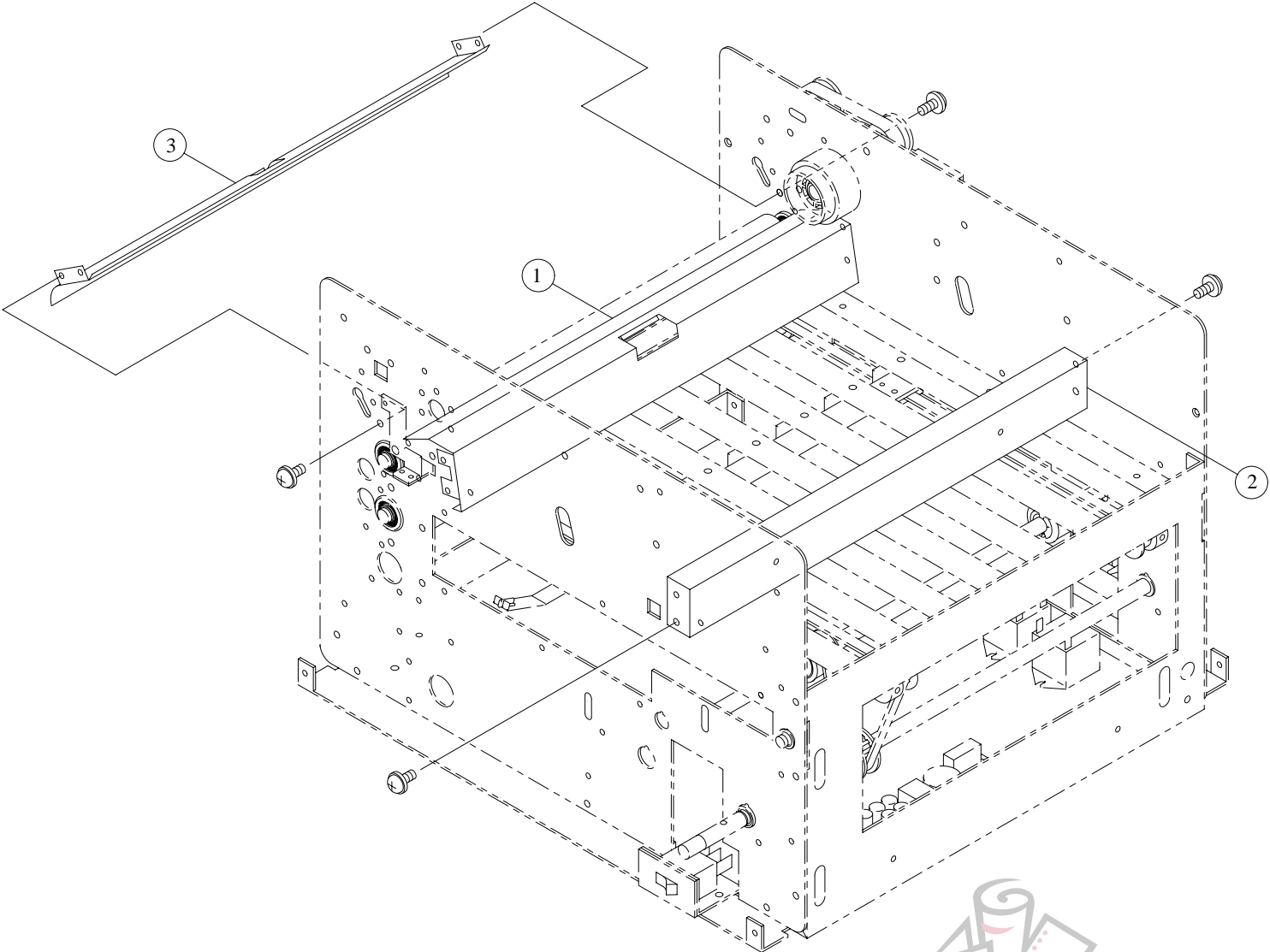
INDEX	Parts No.	Description	Qty	Price	S/N From	To	Remarks
1	M032226-11	CLAMP	1				
2	M032224-10	CLAMP HINGE	1				
3	M032228-21	CLAMP HANDLE	1				
4	M032223-03	CLAMP BASE	1				
5	M032225-00	CLAMP SHAFT	1				
6	M032229-00	HOOK	2				
7	M032227-00	HOOK	2				
8	M032267-00	SPRING	2				
9	M015027-01	FEED ROLLER SHAFT	1				
10	M001983-02	SUB ROLLER	4				
11	M010318-00	ROLLER WHEEL	1				
12	M001978-04	FEED ROLLER	1				
13	M032160-10	ROLLER SHAFT	1				
14	M001844-02	ROLLER BUSH	1				
15	M001898-03	SPACER	3				
16	M001925-03	RUBBER ROLLER	1				
17	M032241-00	SOLENOID SPRING	2		024001		
17	M032242-00	SPRING	2			023899	
18	4000803-00	MICRO SWITCH	1				
19	M014160-01	CUSHION RUBBER	1				
20	A942303-00	FEED ROLLER AS	1				
21	ISTW-10	SNAP RING	1				



PF-P280

INDEX	Parts No.	Description	Qty	Price	S/N From	To	Remarks
1	M032264-00	GUIDE	1				
2	M032195-12	ROLLER HOLDER	1			041899	
2	M032195-25	ROLLER HOLDER	1		042001		
3	4004567-00	ANTISTATIC BRUSH	1				
4	M032188-00	SHAFT	3			003899	
4	M032188-10	SHAFT	3		004001		
5	WW-10	WAVE WASHER	1				
6	M032187-01	HOLDER	2				
7	4003669-00	ARROW MARK	2				
8	M032189-01	SHAFT	1				
9	M032184-20	LINK	2			003899	
9	M032184-30	LINK	2		004001		
10	A941901-00	RUBBER ROLLER	2				
11	M032268-00	SHAFT	1				
12	M014160-01	CUSHION RUBBER	2				
13	M093078-04	BRACKET	2		042001		
14	M032252-01	SENSOR BRACKET	2		042001		
16	QPP-266P	SENSOR(PROJECTER)	1		042001		
17	QPP-266R	SENSOR(RECEIVER)	1		042001		
18	M008829-02	FILTER	1		042001		



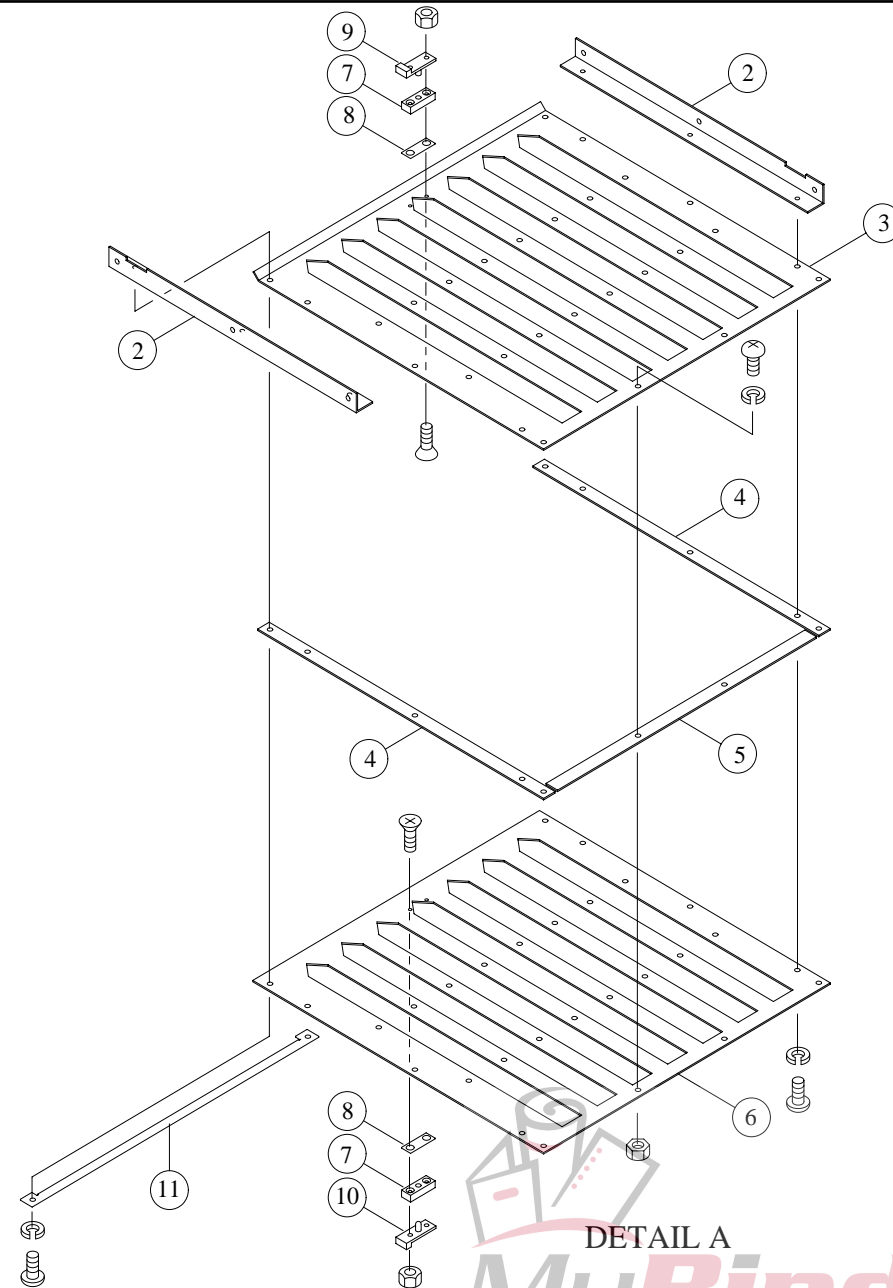
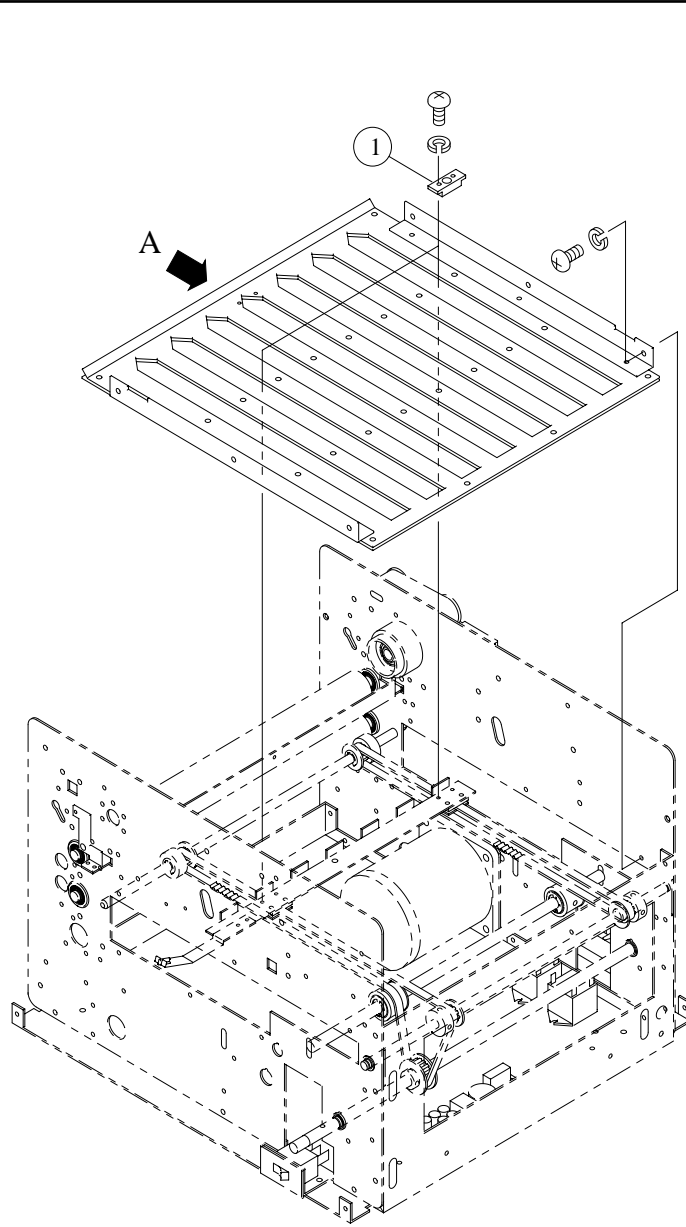


PF-P280

Fig. 6

INDEX	Parts No.	Description	Qty	Price	S/N From	To	Remarks
1	M032161-12	FRONT GUIDE	1				
2	M032157-01	STAY	1				
3	M032159-12	GUIDE PLATE	1				



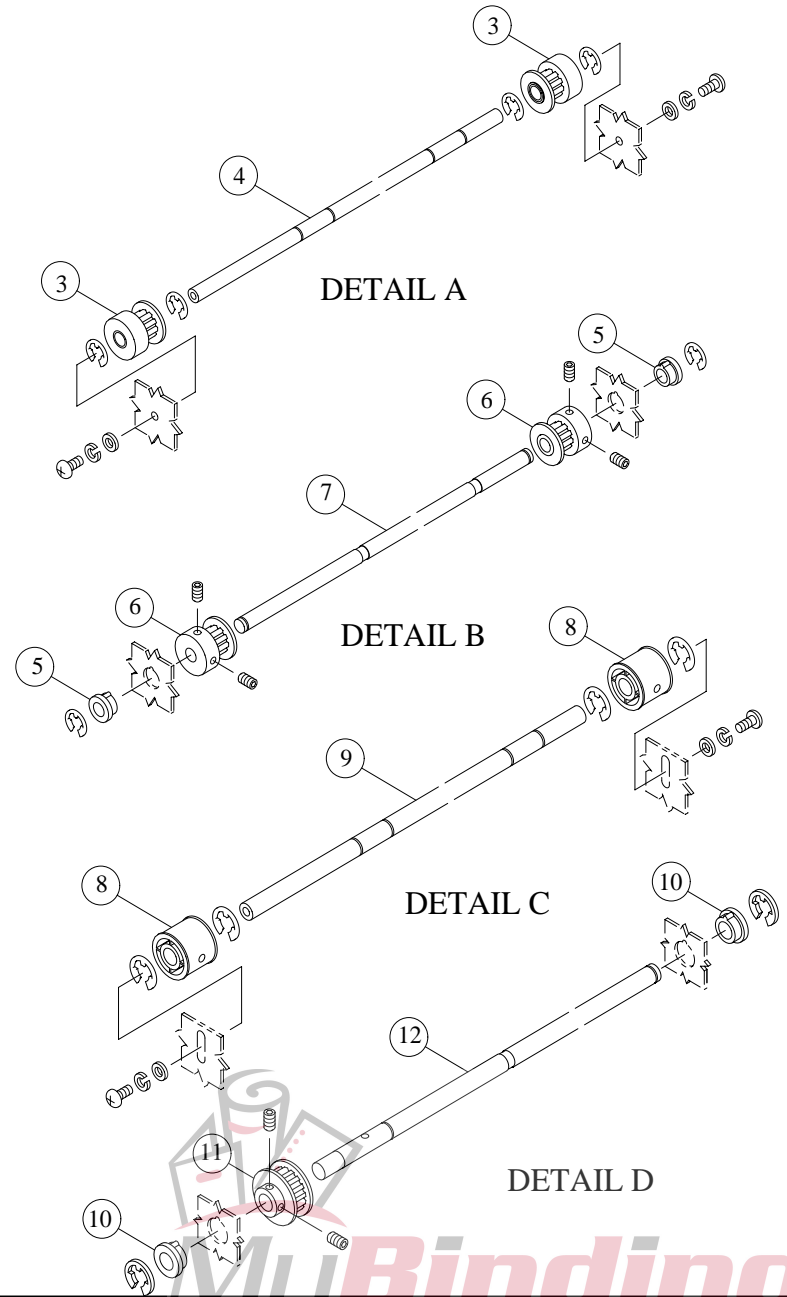
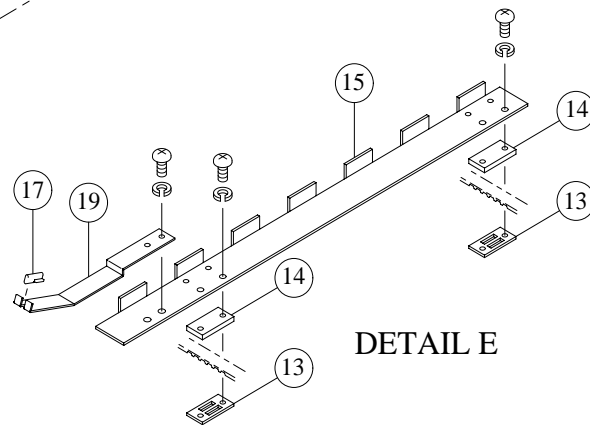
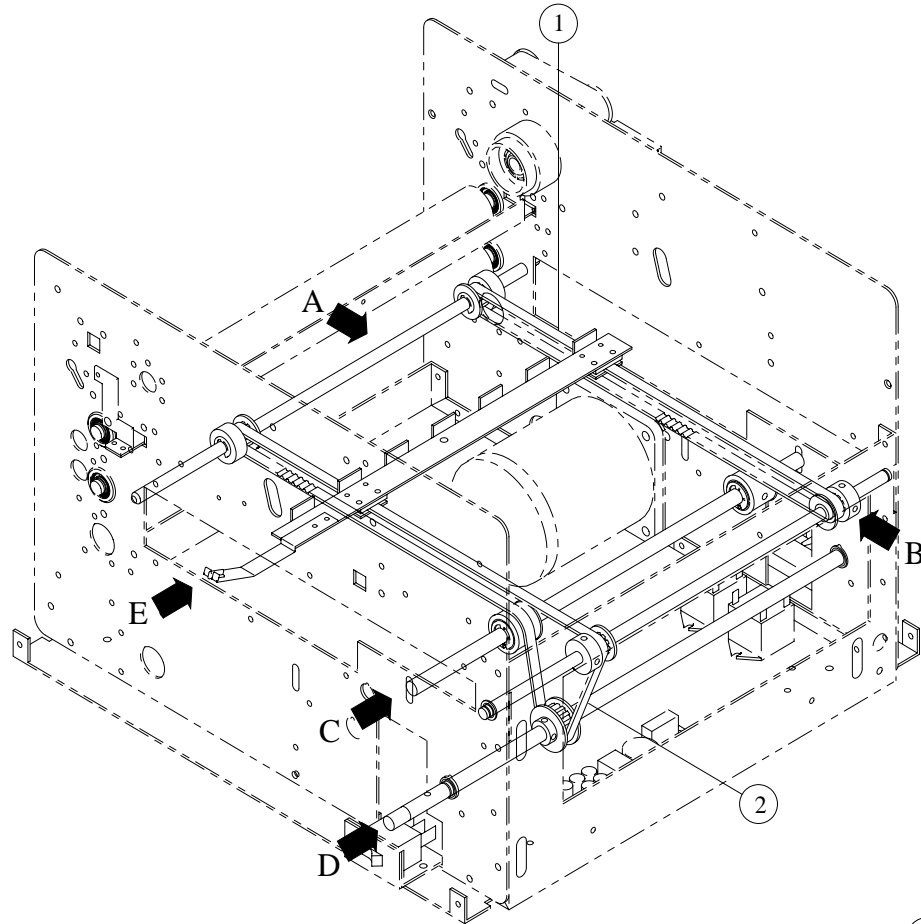


DETAIL A

PF-P280

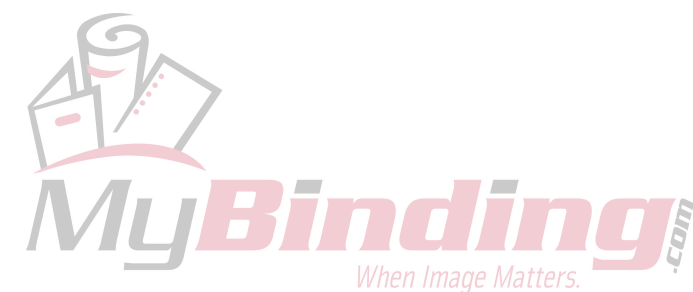
Fig. 7

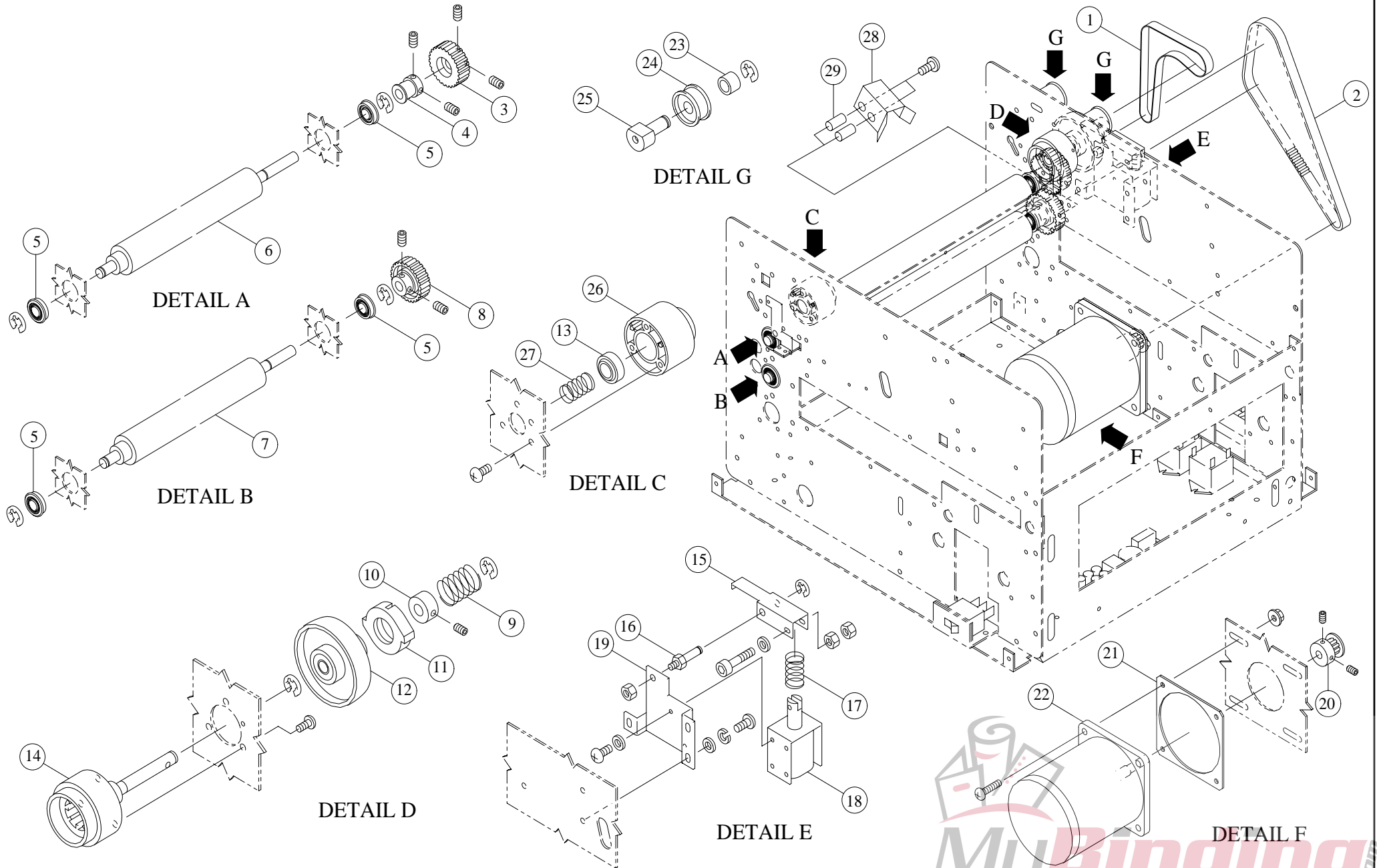
INDEX	Parts No.	Description	Qty	Price	S/N From	To	Remarks
1	M032219-03	SLIDE GUIDE	2				
2	M032202-10	GUIDE PLATE	2				
3	M032198-21	BUCKLE 1(UPPER)	1				
4	M032200-10	SPACER 1(A)	2				
5	M032201-00	SPACER 1(B)	1				
6	M032199-21	BUCKLE 1(LOWER)	1				
7	M032252-01	SENSOR BRACKET	2				
8	M015161-00	FILTER	2			041899	
9	QPP-266P	SENSOR(PROJECTER)	1			041899	
10	QPP-266R	SENSOR(RECEIVER)	1			041899	
11	M032249-10	PLATE	1				



PF-P280

INDEX	Parts No.	Description	Qty	Price	S/N From	To	Remarks
1	4009279-00	TIMING BELT	1				
2	4009280-00	TIMING BELT	1				
3	M032214-00	STOPPER PULLEY	2				
4	M032213-10	SHAFT	1				
5	M001784-00	BUSH	2				
6	M032212-00	PULLEY	4				
7	M032211-00	STOPPER SHAFT	1				
8	M001973-03	BUSHING	2				
9	M032215-00	SHAFT	1				
10	M001785-00	BUSH	2				
11	M032209-00	HANDLE PULLEY	1				
12	M032208-12	SHAFT	1				
13	M032221-01	PLATE	2				
14	M032222-00	BELT SPACER	2				
15	M032216-00	STOPPER	1				
17	M032269-00	POINTER(1)	1				
19	M032217-22	POINTER PLATE(1)	1				

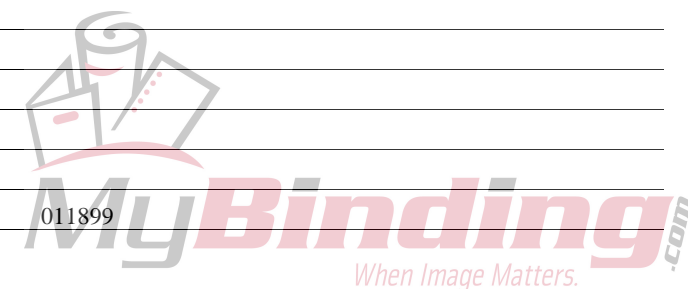




PF-P280

Fig. 9

INDEX	Parts No.	Description	Qty	Price	S/N From	To	Remarks
1	M032243-10	FEED ROLLER BELT	1				
2	4009281-00	TIMING BELT	1				
3	M015065-00	DRIVE PULLEY B	1				
4	M015073-00	DRIVE PULLEY A	1				
5	4000912-00	BEARING	1				
6	M032056-02	FOLDING ROLLER A	1				
7	M032056-02	FOLDING ROLLER A	2		014001		
7	M032057-01	FOLDING ROLLER B	2			013899	
8	M010296-01	SLAVE PULLEY	2				
9	M015069-00	CLUTCH SPRING	1				
10	M010300-00	CLUTCH BUSH	1				
11	M015070-01	CLUTCH STOPPER	1				
12	M010302-01	CLUTCH PULLEY	1				
13	4004574-00	BUSH	1				
14	A942401-00	CLUTCH HOUSING	1				
15	M010306-03	CLUTCH LEVER	1				
16	M015072-00	CLUTCH SHAFT	1				
17	M010270-01	SPRING	1				
18	4004603-00	SOLENOID	1				
19	M015071-01	BRACKET	1				
20	M032212-00	PULLEY	1				
21	M015174-00	MOTOR SPACER	1				
22	4009278-00	MOTOR	1				100V
22	4009383-00	MOTOR	1				230V
22	4009662-00	MOTOR	1				115V
23	M001898-03	SPACER	1				
24	M032287-01	IDLE PULLEY	2				
25	M032244-00	IDLE SHAFT	2				
26	M001981-02	BUSH	1				
27	M010301-00	SPRING	1				
28	M032284-00	GUIDE	2		004001	011899	



PF-P280

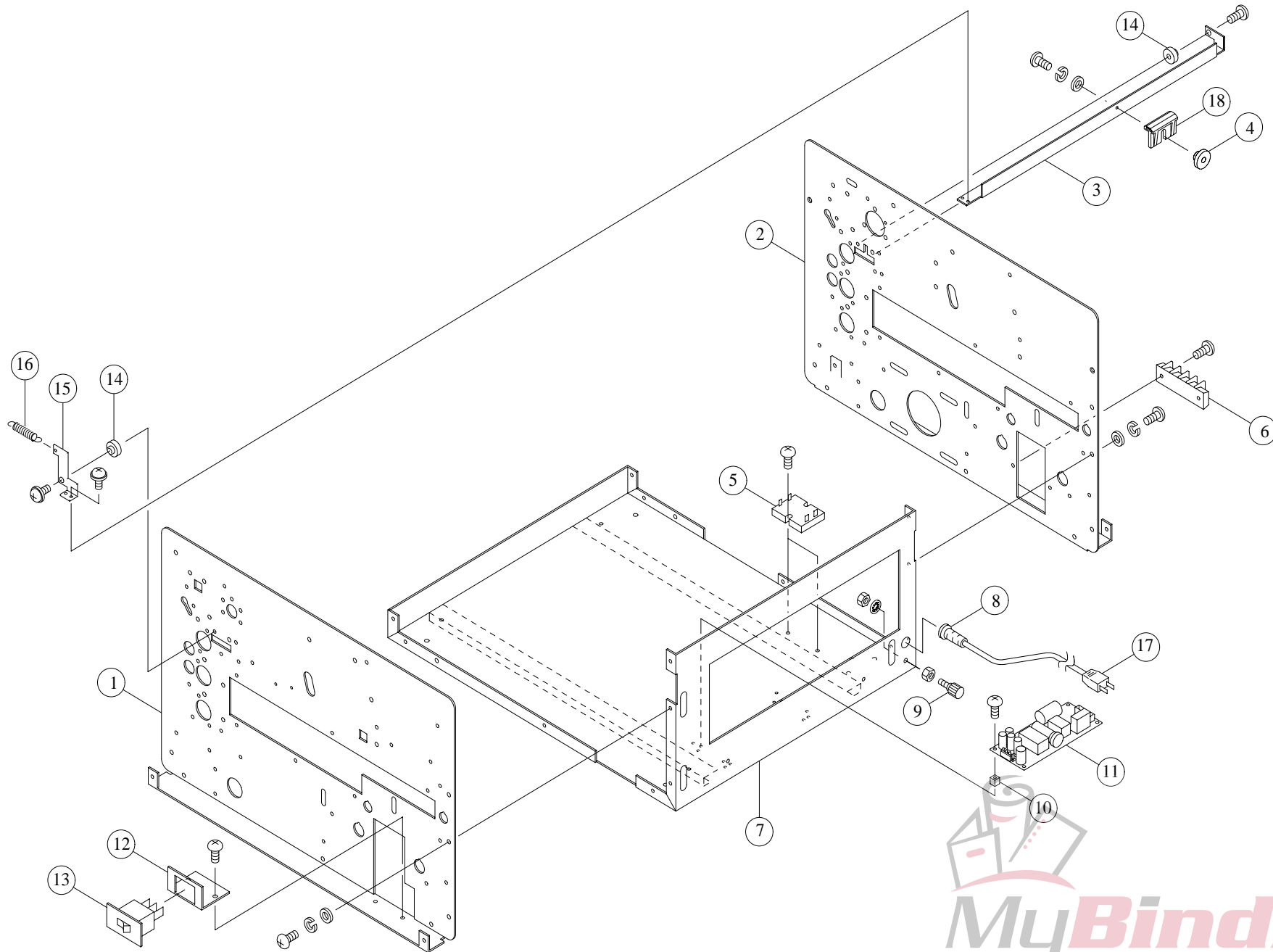
Fig. 9

INDEX	Parts No.	Description	Qty	Price	S/N From	To	Remarks
29	M032285-00	STAY	2		004001	011899	



PAGE INTENTIONALLY BLANK

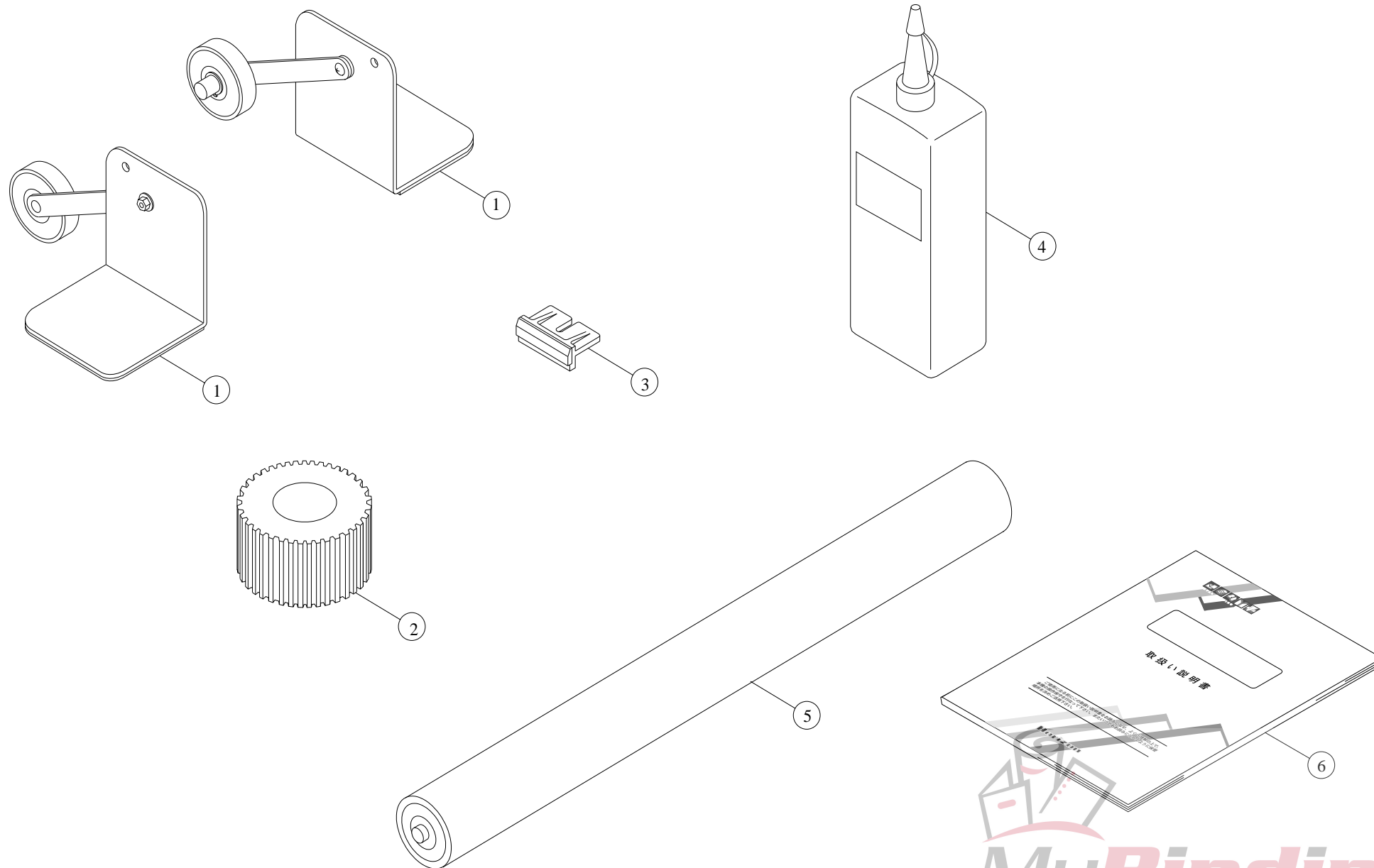




PF-P280

Fig. 10

INDEX	Parts No.	Description	Qty	Price	S/N From	To	Remarks
1	M032151-32	FRAME(F)	1				
2	M032152-22	FRAME(R)	1				
3	M032162-20	PAD BASE	1				
4	M007818-00	PAD SHAFT	1				
5	4009469-00	SSR	1				
6	4002007-00	TERMINAL BOARD	1				
7	M032293-04	FRAME	1				
8	4009423-00	CORD BUSH	1				
9	M002043-00	GROUND TERMINAL	1				
10	M001790-06	SPACER	6				
11	4007934-00	POWER SUPPLY	1				
12	M032230-10	SWITCH BRACKET	1				
13	4007704-00	POWER SWITCH	1				
14	M032164-00	FULCLUM SHAFT	2				
15	M032163-11	LEVER	1				
16	M032238-01	SPRING	1				
17	4002816-00	POWER CORD	1				
18	M002063-04	PAD	1				



PF-P280

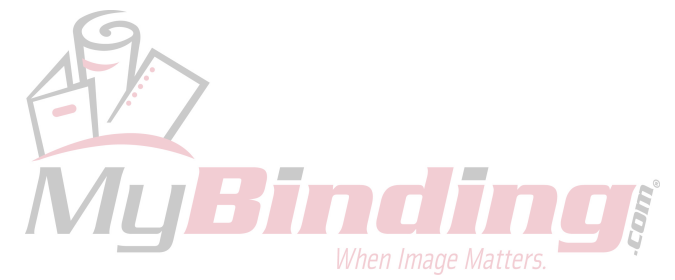
Fig. 11

INDEX	Parts No.	Description	Qty	Price	S/N From	To	Remarks
1	M850054-00	CROSS FOLD GUIDE	2				
2	M001978-04	FEED ROLLER	2				
3	M002063-04	PAD	4				
4	XPF-111	ROLLER CLEANER	2				
5	A941901-00	RUBBER ROLLER	1				
6	UM203002	OPERATION MANUAL	1				



PAGE INTENTIONALLY BLANK





PM_PFP280
Revision 5

Standard Business Systems
10 Connector Road, Andover, MA 01810
(978) 490-1920 Fax (978) 470-2771

