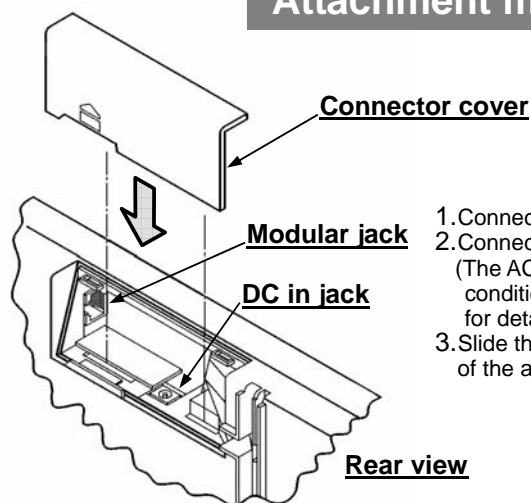


## ZTIII INSTALLATION GUIDE

### Attachment model



1. Connect the telephone line.
2. Connect the AC adaptor.  
(The AC adaptor may be required in some conditions. Please contact service personnel for detailed information.)
3. Slide the connector cover to the direction of the arrow, and put in it.

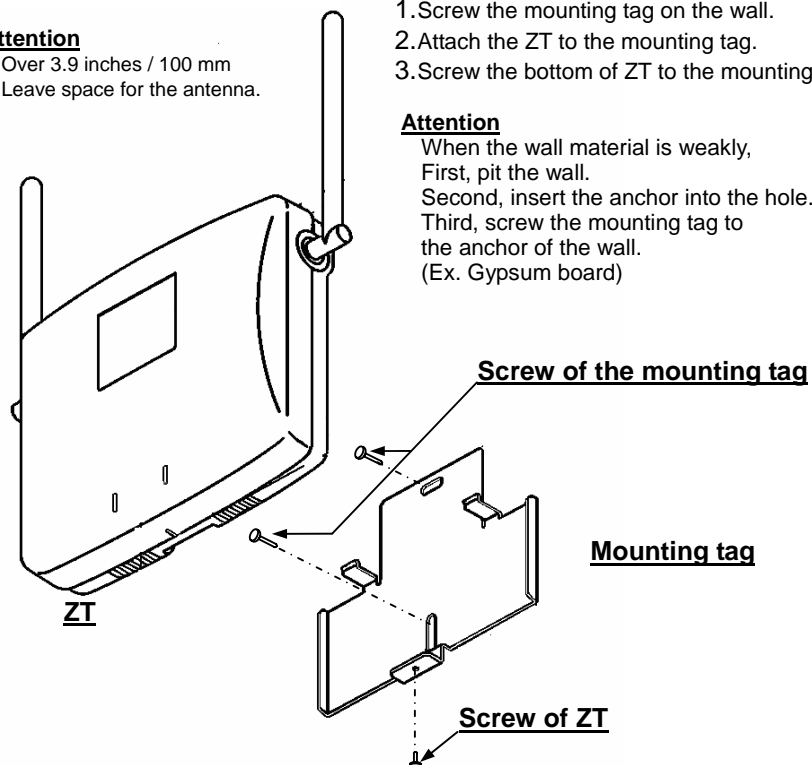
#### Attention

Over 3.9 inches / 100 mm  
Leave space for the antenna.

1. Screw the mounting tag on the wall.
2. Attach the ZT to the mounting tag.
3. Screw the bottom of ZT to the mounting tag.

#### Attention

When the wall material is weakly,  
First, pit the wall.  
Second, insert the anchor into the hole.  
Third, screw the mounting tag to  
the anchor of the wall.  
(Ex. Gypsum board)



### FCC PART 15

This equipment has been tested and found to comply with the limits for a Class B digital device, pursuant to Part 15 of the FCC Rules. These limits are designed to provide reasonable protection against harmful interference in a residential installation. This equipment generates, uses and can radiate radio frequency energy and, if not installed and used in accordance with the instructions, may cause harmful interference to radio communications. However, there is no guarantee that interference will not occur in a particular installation. If this equipment does cause harmful interference to radio or television reception, which can be determined by turning the equipment off and on, the user is encouraged to try to correct the interference by one or more of the following measures:

- Reorient or relocate the receiving antenna
- Increase the separation between the equipment and receiver
- Connect the equipment into an outlet on a circuit different from that to which the receiver is connected.
- Consult the dealer or an experienced radio/TV technician for help.

### SAFETY

This equipment has been tested for safety and found to comply with all applicable requirements of UL/CSA 60950-1.

### Warning

Note to installers: In order to comply with the FCC RF exposure requirements ZT must be installed with a minimum separation distance of 20 cm from the antennas to the user or nearby persons.  
Install on a secured mounting surface. Take care to attach unit securely.  
This device may suffer damage if dropped.

ZT contains two antennas for diversity purposes, only one antenna transmits during normal operation.

### Notice

This document contains proprietary information and may not be reproduced in any form without express written consent of NEC Corporation. The information contained herein is subject to change without notice at the discretion of NEC Corporation.

### Radio specifications

Frequency range : 1920.35 – 1929.65Mz  
Communication Channels : 3 per ZT simultaneous