



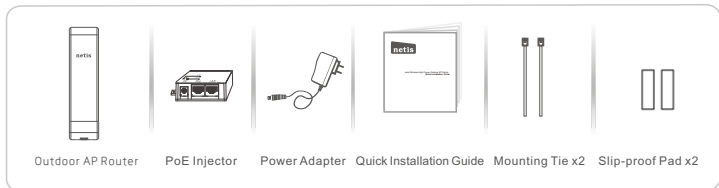
netis Wireless High Power Outdoor AP Router
Quick Installation Guide



Model No. **WF2375**

1.Package Contents

The following items should be found in your package:



Please make sure that the package contains above items, if any of the listed items are damaged or missing, please contact your distributor.

* This QIG is for all netis Wireless High Power Outdoor AP Router, including models- WF2322, WF2375, WF2370, etc.

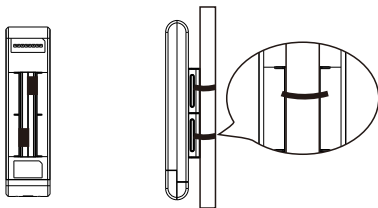
* The product model shown in this QIG is WF2322, as an example.

2.Hardware Connection

The outdoor AP work in pairs, and work best when they are face to face like below, please try to adjust their direction and get the best signal:



Please put the slip-proof pads and mounting ties as below:



When device works in Client or WISP mode,

1. Connection Step

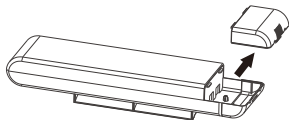
A) Remove the small cover of device.

B) Connect one end of the Ethernet cable into the WAN/LAN (@ /) port of the device and the other end to the PoE port of the PoE injector.

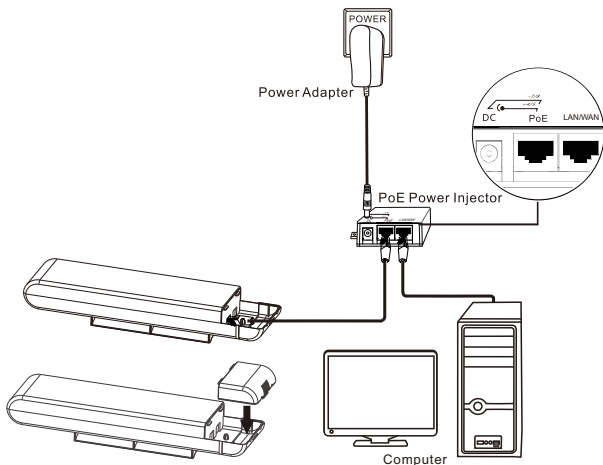
C) Connect the Power Adapter to DC-in port of the PoE injector and plug the other end to wall outlet.

D) Connect the Ethernet cable into LAN/WAN port of PoE injector and the other end to the Ethernet port of the PC or AP/switch.

E) Re-place the small cover back to the device.

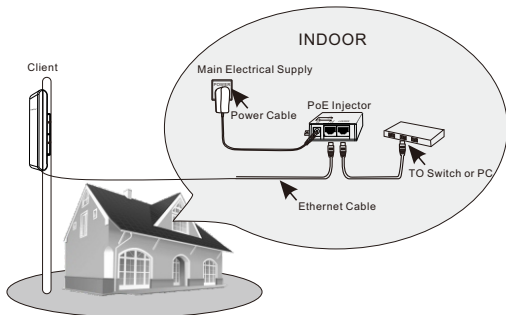


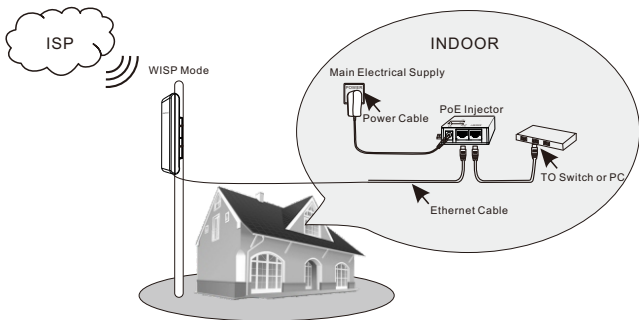
For step A)



For step B) to E)

2.The connection will be similar to the figure below after the above steps are finished.





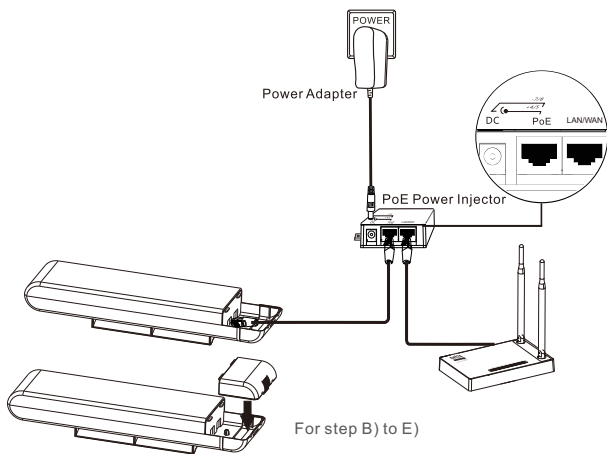
When device works in AP/AP Router mode,

1. Connection step

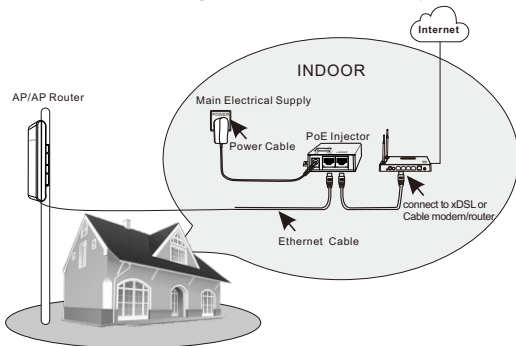
A) ~ C) is same as above

D) Connect the Ethernet cable into LAN/WAN port of PoE injector and the other end to the Ethernet port of xDSL or Cable modem/router.

E) Re-place the small cover back to the device



2.The connection will be similar to the figure below after the above steps are finished.



3. Configure the AP Router via Web Management Page

This device works in AP mode by default, so if you are intend to change the working mode or any settings, please connect your computer to @/品 or 品/品 Port of AP and set a static IP for your computer as below steps:

3.1 Set a Static IP for PC

Manually set the IP address of the wired network adapter on your computer as below.

IP Address/ IPv4 Address: 192.168.1.x (1<x<255)

Subnet Mask: 255.255.255.0

Default Gateway/ Router: 192.168.1.1

For Windows 8/ 7/Vista

- 1) Go to "**Settings**" (for Windows 8)/"**Start**" (for Windows 7/Vista) > "**Control Panel**".
- 2) Left-click on "**Network and Internet**" > "**Network and Sharing Center**" > "**Change adapter settings**" (for Windows 8/ 7)/"**Manage network connections**" (for Windows Vista).
- 3) Right-click on "**Local Area Connection**" and left-click on "**Properties**".
- 4) Double-click on "**Internet Protocol Version 4 (TCP/IPv4)**".
- 5) Select "**Use the following IP address**" then left-click on "**OK**".

For Windows XP/2000

- 1) Go to "**Start**" > "**Control Panel**".
- 2) Left-click on "**Network and Internet Connections**" > "**Network Connections**".
- 3) Right-click on "**Local Area Connection**" and left-click on "**Properties**".
- 4) Double-click on "**Internet Protocol (TCP/IP)**".
- 5) Select "**Use the following IP address**" then left-click on "**OK**".

For MAC OS

- 1) Click on the "**Apple**" menu > "**System Preferences**".
- 2) Click on the "**Network**" icon.
- 3) Click on "Ethernet" in the left side box and click on "**Advanced**" in the lower right corner.
- 4) In the top options, select "**TCP/IP**".
- 5) In the pull-down menu next to "**Configure IPv4**" select "**Manually**".
- 6) Fill in the "**IPv4 Address/Subnet Mask/Router**" parameters, and click "**OK**" then "**Apply**".

3.2 Open your browser and type `http://192.168.1.1` in the address field to visit router's web management page.

3.3 A dialog box will prompt as below, please enter User name and Password, both default values are guest and click OK.



Note: The configuration includes "Internet settings" and "Wireless settings", if you choose "AP", please go to Wireless Settings directly.



AP Router Mode	
Select the correct Connection Type.	
PPPoE Type in the Username & Password provided by the ISP.	Select "PPPoE" when: 1. WF2322 is connected to a DSL or Cable pure modem. 2. Got username & password from ISP. 3. Broadband connection is needed on PC when bypassing WF2322.
DHCP (Dynamic IP)	Select "DHCP" when: 1. WF2322 is connected to a Cable/DSL modem router. 2. Internet works directly on PC when bypassing WF2322.
Static IP Type in all the IP Info.	Select "Static IP" when: 1. Got IP Address, Subnet Mask, Default Gateway, DNS Server from ISP.

WISP Mode :

Select target network and Connection Type.

1. Click "**AP Scan**" button to select your target network and click "**Connect**" button.
2. Type in the wireless security info of the target network.
3. Select connection type. (Please refer to "**Internet Settings**" --> "**AP Router Mode**")

Internet Connection

Work Mode: **WISP**

SSID: **AP Scan**

Security: **WPA2-PSK**

Encryption: TKIP AES

Key Mode: HEX ASCII

Key:

(please enter any 8-63 characters (ASCII characters:A-Z,a-z,0-9))

Key Renewal: **86400** seconds(60-86400)

DHCP(dynamic) Static IP PPPoE

Wireless Settings

Setup a wireless network name in "**SSID**" box, it is recommended to use WPA-PSK/WPA2-PSK for "**Security**" and set a wireless network key in the "**Password**" box, then click "**Save**" button.

Wireless Setup

SSID: **netis**

Security: None WPA-PSK/WPA2-PSK

Password: **password**

(please enter any 8-63 characters (ASCII characters:A-Z,a-z,0-9))

*Note: The DHCP Server will be disabled after switching to "**AP**" mode successfully, so you will have to set a static IP address for your PC first if you need to login to the web-based management page again.*

3.4 The web management page will display after login successfully. Select the language as you need on the top box, default is in English.

3.5 When you completed the configuration, please remember to change the settings on your computer back to 'obtain an IP address automatically' in the the same window as step 3.1.

4. Troubleshooting

Q How do I restore my netis WF2322 to default settings?

A With the router powered on, holding "**Reset**" button on the PoE injector for 8s~10s with a pin to restore it to factory defaults.

Q What can I do if my Internet cannot be accessed?

- A** 1) Check to verify the hardware connections are correct. Please refer to the "Hardware Connection" step.
2) Refer to 3.1) to set a Static IP address for your PC and connect the WF2322 to your PC.
3) Open a web browser and login to <http://192.168.1.1>
4) Re-check your setting
5) Reboot the modem first and then netis device. Wait for one minute before you check the Internet again.
6) If Internet access is not available, please connect your computer directly to your modem and try the Internet again.

If the Internet is still not working, please contact your ISP for further help.

Appendix A: FCC Statement

Federal Communication Commission Interference Statement

This equipment has been tested and found to comply with the limits for a Class B digital device, pursuant to Part 15 of the FCC Rules. These limits are designed to provide reasonable protection against harmful interference in a residential installation. This equipment generates, uses and can radiate radio frequency energy and, if not installed and used in accordance with the instructions, may cause harmful interference to radio communications. However, there is no guarantee that interference will not occur in a particular installation. If this equipment does cause harmful interference to radio or television reception, which can be determined by turning the equipment off and on, the user is encouraged to try to correct the interference by one of the following measures:

- Reorient or relocate the receiving antenna.
- Increase the separation between the equipment and receiver.
- Connect the equipment into an outlet on a circuit different from that to which the receiver is connected.
- Consult the dealer or an experienced radio/TV technician for help.

FCC RF Radiation Exposure Statement:

1. The equipment complies with RF exposure limits set forth for an uncontrolled environment. The antenna(s) used for this transmitter must not be co-located or operating in conjunction with any other antenna or transmitter.
2. This equipment complies with FCC RF radiation exposure limits set forth for an uncontrolled environment.
3. This equipment should be installed and operated with a minimum distance of 20 centimeters between the radiator and your body.

FCC Caution: Any changes or modifications not expressly approved by the party responsible for compliance could void the user's authority to operate this equipment.

This device complies with Part 15 of the FCC Rules. Operation is subject to the following two conditions:

- (1) this device may not cause harmful interference and
- (2) this device must accept any interference received, including interference that may cause undesired operation

Technical Support:

USA/ Canada

Toll Free: +1 866 71 network (+1 866 716 3896)

E-mail: usa_support@netis-systems.com

Other Regions:

E-mail: support@netis-systems.com

NETIS SYSTEMS CO., LTD.

www.netis-systems.com

MADE IN CHINA