



NEW5310

Unattended Terminal

PRODUCT MANUAL

Precautions

- Do not use the non-dedicated power supply, because it may be in trouble due to the mismatch of power.
- Do not vibrate, shake or knock the product sharply.
- When a fault occurs, immediately turn off the power supply and discontinue to use the product, please contact the service sector related to our company.
- Do not open and repair it by yourself.
- When the terminal being attacked by unscrupulous environment(such as opening the terminal shell, etc.), the internal sensitive information stored in the terminal will be erased. For avoiding unnecessary trouble, you should not open the housing.
- NEW5310 is designed to be unattended terminals, it is used outdoors, Please follow as below:
 1. The device should be covered by a pin shield over the pin entry area.
 2. Avoiding the direct sunlight and the rain.
 3. Place the device in a ventilated locality and keep good a heat dissipation condition.

Note:

1. Warranty valid for 12 months after purchasing date.
2. This warranty will be voided if the product is damaged due to natural disaster, fire, unauthorized alteration or improper usage.
3. Free Warranty covers original parts only
4. Warranty service will not be provided if no the dealer's stamp or this card is missing.

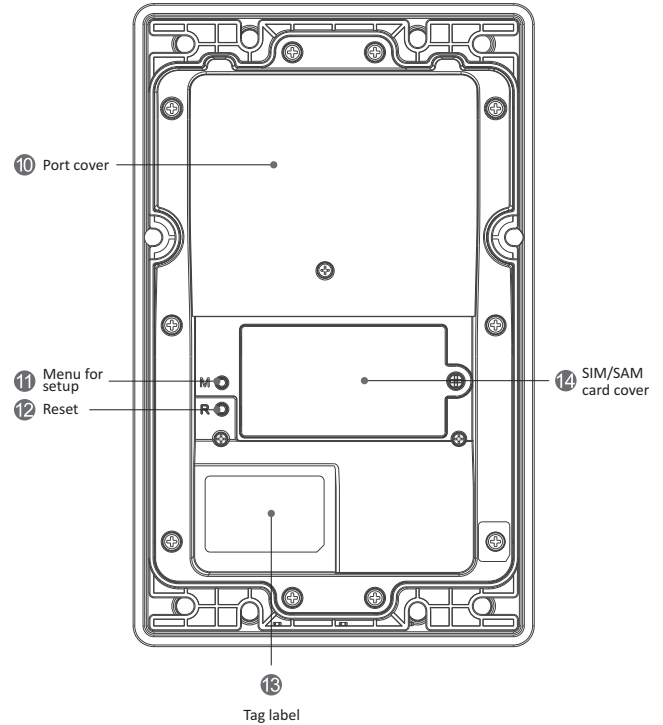
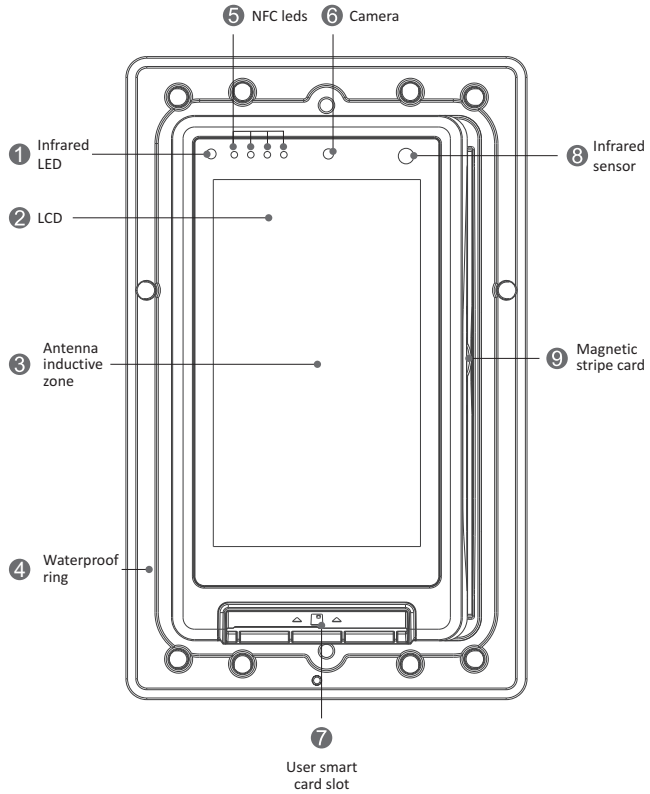
This equipment complies with FCC RF radiation exposure limits set forth for an uncontrolled environment.

Contents Checklist

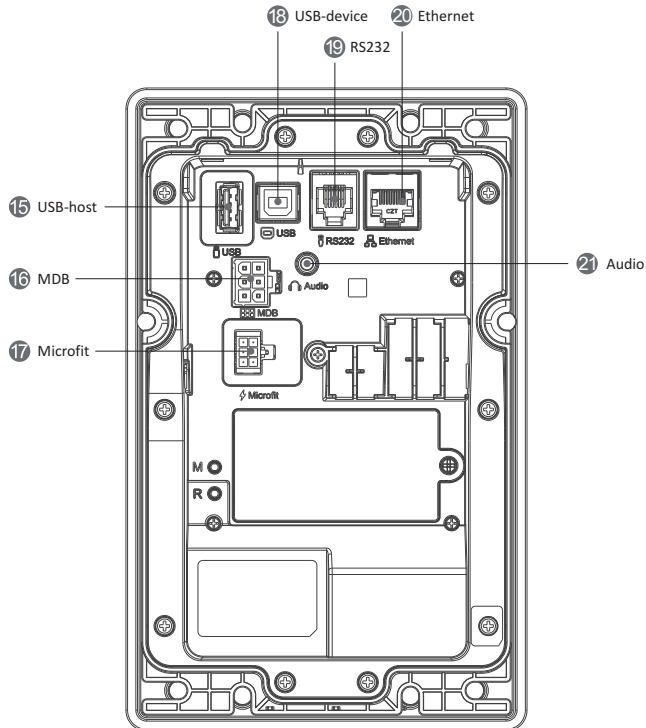
The following items should be found inside the box:

1. POS terminal	1PCS
2. Product Manual	1PCS
3. Microfit power cable	1PCS

NEW5310 Figure



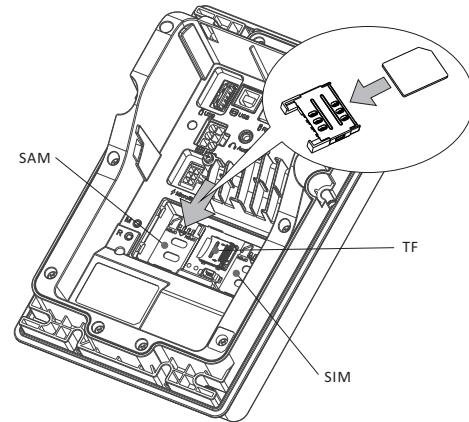
Port



Installation Guidance

1. Install SIM/SAM/TF card

- Open the battery cover and remove the battery.
- Keep the chip side on the SIM/SAM/TF card downward and unfilled corner outward, insert the card to the bottom.



- NOTE:** 1. Confirm the machine is turned off when you install or uninstall the SIM/UIM card, or your card will be damaged.
2. Do not paste any label on the SIM/SAM card to influence your card thickness, or it may result in loading or removing the card can not be carried out smoothly.

2. Power on/off the device

Power on: Plug the Microfit jack or the MDB jack into the socket, the device can turn on the power automatically.

Power off: Pull the Microfit jack and the MDB jack away from the socket, the device can turn off the power.

Reset: Press the "R" button which is on the back of the device.

Setting: Press the "M" button which is on the back of the device.

Technical Specifications

Project	Technical
Processor	High Performance 4 Core Processor + Secure CPU
Memory	1GB RAM, 8GB Flash memory, Support Micro TF Card, up to 32GB
System	Android 5.X
Display	5", 720x1280 pixels, support capacitate touch screen
Magnetic Card Reader	Track 1/2/3, bi-directional, compliant with ISO7811,7812
IC Card Reader	1 user card (EMV4.3), Support Memory Card, CPU Card, EMV4.3, PBOC3.0, ISO7816 Standard.
Contactless Card Reader	13.56MHz, Support Mifare Card, Compliant with ISO/IEC14443 Type A&B
PSAM	1 PSAM slot
TF Card	1 TF Card slot
Internal PED	Support PIN Entry from touch screen
Communications	RS-232, Ethernet 10/100M, MDB
Interfaces	Ethernet (8P8C), RS232 (6P6C, with power output 12V/0.5A) Micro fit 43045, power input socket, MDB (24~45 VDC) USB Host, USB Device
Button	1 key for reset, 1 key for volume+
Audio	1 Built-in speaker
Proximity detector	Infrared sensor, the distance of reaction is about 20CM~50CM
Power Supply	12V DC, 2A (when using Micro fit), 24 ~ 45V DC (when using MDB)
Power adapter	Input 100~240 VAC, 50 ~ 60 Hz; output 12V DC 2A
Flammability rating	ANSI/UL 94 V-0
Dust/waterproof rating	IP65
Protection classification	IK08
Working Environment	Temperature: -20°C ~ 45°C(-4°F~ 113°F) Humidity: 10% ~ 90% (non-condense)
Storage Environment	Temperature: -25°C ~ 75°C(-13°F~167°F) Humidity: 0% ~ 95% (non-condense)
Size	195*122*94mm
Weight	Undetermined
Certification	PCI PTS 5.X, EMV LEVEL 1&2, EMV Contactless, CE, FCC, Pay Pass

RF exposure information: The EIRP power of the device at maximal case is below the exempt condition, 20mW specified in EN62479: 2010.

RF exposure assessment has been performed to prove that this unit will not generate the harmful EM emission above the reference level as specified in EC Council Recommendation(1999/519/EC).
only NFC 13.56MHz in this sample

Hereby, NEW POS TECHNOLOGY LIMITED declares that the radio equipment type (Unattended Terminal, NEW5310) is in compliance with Directive 2014/53/EU.

The full text of the EU declaration of conformity is available at the following internet address:www.newpostech.com



Notice: This device may be used in each member state in EU

1. This device complies with Part 15 of the FCC Rules. Operation is subject to the following two conditions:
 - (1) This device may not cause harmful interference.
 - (2) This device must accept any interference received, including interference that may cause undesired operation.

The grantee is not responsible for any changes or modifications not expressly approved by the party responsible for compliance. Such modifications could void the user's authority to operate the equipment.

NOTE: This equipment has been tested and found to comply with the limits for a Class B digital device, pursuant to Part 15 of the FCC Rules. These limits are designed to provide reasonable protection against harmful interference in a residential installation.

This equipment generates uses and can radiate radio frequency energy and, if not installed and used in accordance with the instructions, may cause harmful interference to radio communications. However, there is no guarantee that interference will not occur in a particular installation. If this equipment does cause harmful interference to radio or television reception, which can be determined by turning the equipment off and on, the user is encouraged to try to correct the interference by one or more of the following measures:

Reorient or relocate the receiving antenna.

Increase the separation between the equipment and receiver.

Connect the equipment into an outlet on a circuit different from that to which the receiver is connected.

Consult the dealer or an experienced radio/TV technician for help.

The device has been evaluated to meet general RF exposure requirement. The device can be used in portable exposure condition without restriction.

NEW POS TECHNOLOGY LIMITED

Address: 14/A, Financial Technology Building, Financial & Technology Building, No.11, Keyuan Rd, Nanshan District, ShenZhen, China
Tel: +86-755-86938425 Fax: +86-755-82790632
E-mail: Sales@newpostech.com Postalcode: 518057
WebSite: www.newpostech.com