



NEW9210

Smart POS Terminal

PRODUCT MANUAL

Precautions

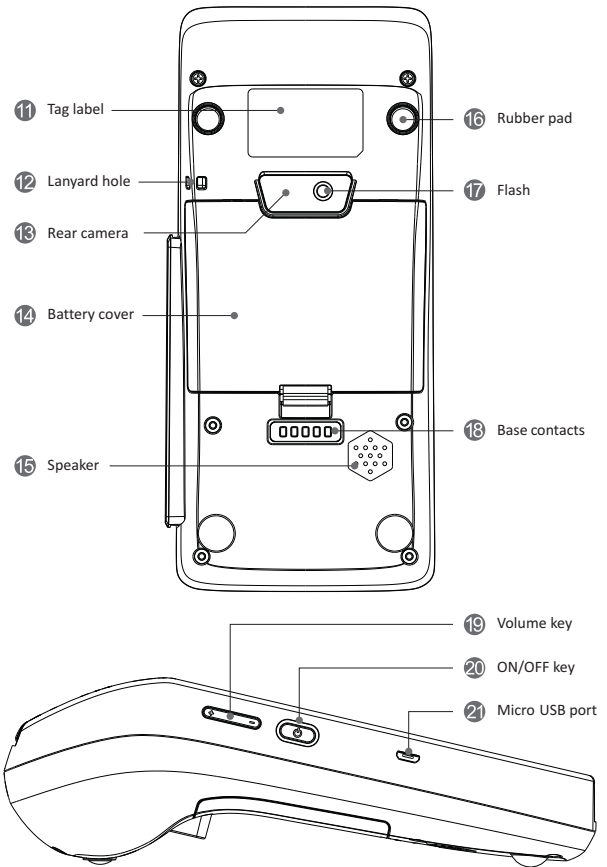
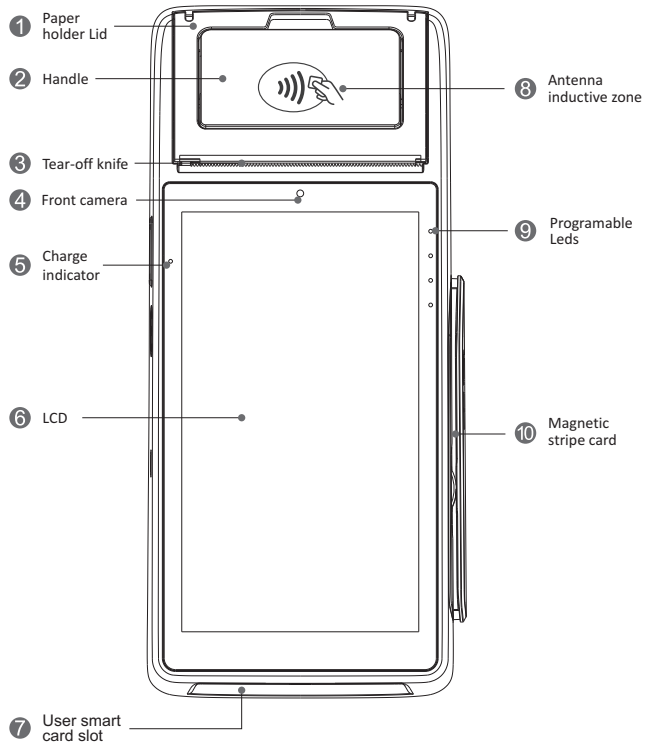
- Do not use the non-dedicated power supply, because it may be in trouble due to the mismatch of power.
- Do not spill any liquid substance or take any conductive objects into the product, otherwise it will cause a short circuit and damage the product.
- Do not vibrate, shake or knock the product sharply.
- Do not plug in or pull out any external components or equipment in a charging state, it may cause damage to the internal circuitry. Cut off the power before turn off the machine's power.
- Do not place the product in an elevated temperature, humid, dusty or strong electromagnetic field environment.
- When a fault occurs, immediately turn off the power supply and discontinue to use the product, please contact the service sector related to our company.
- Do not open and repair it by yourself.
- When the terminal being attacked by unscrupulous environment(such as opening the terminal shell, etc.), the internal sensitive information stored in the terminal will be erased. For avoiding unnecessary trouble, you should not open the housing.
- When the battery reaches the service life, it can not be thrown away, it should be disposed in compliance with local laws and regulations or instructions.

Contents Checklist

The following items should be found inside the box:

1. POS terminal	1PCS
2. AC Power Supply	1PCS
3. Li-ion Battery	1PCS
4. Thermal paper roll	1PCS
5. Product Manual	1PCS

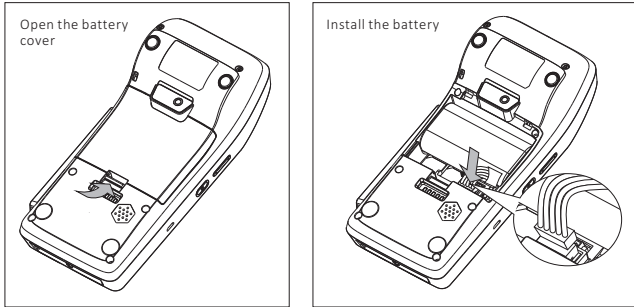
NEW9210 Figure



Installation Guidance

1. Install the battery

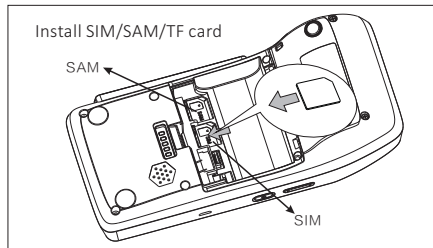
- Open the battery cover of the device.
- Connect the cable of the battery to the right side battery connector on the machine and put the battery to its place. (Tag label on the battery upwards)
- Close the battery cover.



NOTE: When removing the battery, please pick up the battery, then gently forced to unplug it to avoid damage to cables.

2. Install SIM/SAM card

- Open the battery cover and remove the battery.
- Keep the chip side on the SIM/SAM card downward and unfilled corner outward, insert the card to the bottom.
- Install the battery and then close the battery cover.



- NOTE:** 1. Confirm the machine is turned off when you install or uninstall the SIM/UM card, or your card will be damaged.
2. Do not paste any label on the SIM/SAM card to influence your card thickness, or it may result in loading or removing the card can not be carried out smoothly.

3. Power on/off the device

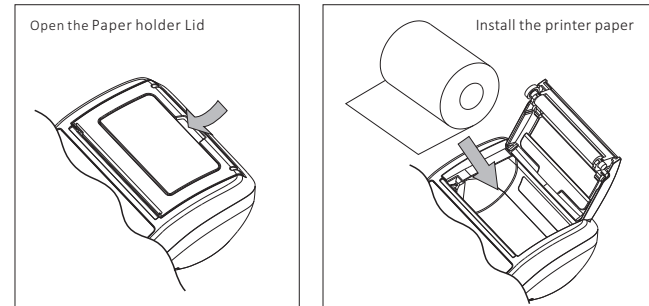
Power on: press and hold the power key until the LCD display, then the machine will be turned on.

Power off: press and hold the power key more than 2 seconds, then the screen will give you a tips, you just choose the shutdown key.

Force shut down: Press the power key more than 8 seconds.

4. Install the printer paper

- Pull up the handle and open the paper holder Lid.
- Put the printer paper into paper holder Lid according to the direction of the graphic.
- Close the paper cover.



- NOTE:** 1. When install thermal paper, we need the side coated with thermal media facing the printer heating plate, or you can not print out the characters correctly.
2. Do not keep the printer paperless for long time, or it may cause the roller pasting with the plate.
3. The temperature is high on the heating plate, please do not touch it without cooling.
4. Tear-off knife edge is sharp, please be careful. Do not touch it for avoiding danger.

Technical Specifications

Project	Technical
CPU	High Performance 4 Core Processor+Special secure CPU
Memory	DRAM:1G, FLASH:8G; Supports Micro SD/TF Card, up to 32G
System	Android 5.X
Display	5.0 inch 720*1280 pixels capacitive touch screen with e-signature functionality
MS Card Reader	Track 1/2/3,bi-directional,compliant with ISO7811,7812
Smart Card Reader	Supports Memory Card, CPU Card, EMV4.3, PBOC3.0, ISO7816 Standard
Contactless Card Reader	13.56MHz. Supports Mifare Card,SONY Felica.
Card Reader	Compliant with ISO/IEC14443 Type A&B
Security	MK/SK, DUKPT, FIXED.3DES, RSA, AES, SHA-256, SM2, SM3, Sm4.
Communications	4G/3G/2G, WiFi, Bluetooth.
Satellite Positioning	GPS, BEIDOU, GLONASS
Camera	Front Camera:300 thousand pixel; Rear Camera:5-mega pixel, with auto flash and focus
Multimedia	720P video recording, 1080P video broadcast
Printer	High-speed thermal printer, Paper roll width and diameter: 58mm/40mm
Ports	1*Micro USB OTG
Buttons	1*Power switch, 2*Volume keys
Card Slots	1*SIM, 1*SAM, 1*TF Card
Battery	7.2V/2600mAh
Power	Input:100-240V AC, 50/60Hz; Output:5.0V DC, 2.0A
Dimensions	184mm*84mm*58mm(L*W*H)
Working Environment	Temperature:0°C ~ 50°C(32°F ~ 122°F). Humidity:10% ~ 90% (non-condense).
Storage Environment	Temperature:-20°C ~ 60°C(-4°F~140°F). Humidity: 5% ~ 95% (non-condense).
Certifications	PCI PTS 5.X, EMV LEVEL 1&2, EMVContactless, CE, RoHS CUP, PBOC3.0, QPBOC3.0
Optional	Docking Station

Note:

1. Warranty valid for 12 months after purchasing date.
2. This warranty will be voided if the product is damaged due to natural disaster, fire, unauthorized alteration or improper usage.
3. Free Warranty covers original parts only
4. Warranty service will not be provided if no the dealer's stamp or this card is missing.


The SAR limit of Europe is 2.0 W/kg. Device types Smart POS Terminal has also been tested against this SAR limit. The highest SAR value reported under this standard during product certification for use worn on the body is 1.003 W/kg. This device was tested for typical body-worn operations with the back of the handset kept 0cm from the body. To maintain compliance with RF exposure requirements, use accessories that maintain a 0cm separation distance between the user's body and the back of the handset. The use of belt clips, holsters and similar accessories should not contain metallic components in its assembly. The use of accessories that do not satisfy these requirements may not comply with RF exposure requirements, and should be avoided. CAUTION RISK OF EXPLOSION IF BATTERY IS REPLACED BY AN INCORRECT TYPE. DISPOSE OF USED BATTERIES ACCORDING TO THE INSTRUCTIONS.

Hereby, NEW POS TECHNOLOGY LIMITED declares that the radio equipment type (Smart POS Terminal, NEW9210) is in compliance with Directive 2014/53/EU.

The full text of the EU declaration of conformity is available at the following internet address:
<http://www.newpostech.com/>



Notice: This device may be used in each member state in EU

				
AT	BE	BG	CZ	DK
EE	FR	DE	IS	IE
IT	EL	ES	CY	LV
LI	LT	LU	HU	MT
NL	NO	PL	PT	RO
SI	SK	TR	FI	SE
CH	UK	HR		

The device is restricted to indoor use when operated in Belgium(BE), Bulgaria(BG), Czech Republic(CZ), Denmark(DK), Germany(DE), Estonia(EE), Ireland(IE), Greece(EL), Spain(ES), France(FR), Croatia(HR), Italy(IT), Cyprus(CY), Latvia(LV), Lithuania(LT), Luxembourg(LU), Hungary(HU), Malta(MT), Netherlands(NL), Austria(AT), Poland(PL), Portugal(PT), Romania(RO), Slovenia(SI), Slovakia(SK), Finland(FI), Sweden(SE), United Kingdom(UK), Turkey(TR), Norway(NO), Switzerland(CH), Iceland (IS) and Liechtenstein(LI) using frequency in 5150MHz~5350.

FCC Statement

1. This device complies with Part 15 of the FCC Rules. Operation is subject to the following two conditions:

- (1) This device may not cause harmful interference.
- (2) This device must accept any interference received, including interference that may cause undesired operation.

Note: The grantee is not responsible for any changes or modifications not expressly approved by the party responsible for compliance. Such modifications could void the user's authority to operate the equipment.

NOTE: This equipment has been tested and found to comply with the limits for a Class B digital device, pursuant to part 15 of the FCC Rules. These limits are designed to provide reasonable protection against harmful interference in a residential installation.

This equipment generates uses and can radiate radio frequency energy and, if not installed and used in accordance with the instructions, may cause harmful interference to radio communications. However, there is no guarantee that interference will not occur in a particular installation. If this equipment does cause harmful interference to radio or television reception, which can be determined by turning the equipment off and on, the user is encouraged to try to correct the interference by one or more of the following measures:

- Reorient or relocate the receiving antenna.
- Increase the separation between the equipment and receiver.
- Connect the equipment into an outlet on a circuit different from that to which the receiver is connected.
- Consult the dealer or an experienced radio/TV technician for help

The SAR limit of USA (FCC) is 1.6 W/kg averaged over one gram of tissue. Device types Portable Smart POS Terminal (FCC ID: WAL9210) has also been tested against this SAR limit. The highest SAR value reported under this standard during product certification when properly worn on the body is 1.089W/kg. This device was tested for typical body-worn operations with the back of the handset kept 0cm from the body. To maintain compliance with FCC RF exposure requirements, use accessories that maintain a 0cm separation distance between the user's body and the back of the handset. The use of belt clips, holsters and similar accessories should not contain metallic components in its assembly. The use of accessories that do not satisfy these requirements may not comply with FCC RF exposure requirements, and should be avoided.

NEW POS TECHNOLOGY LIMITED

Address: 14/A, Financial Technology Building, Financial & Technology Building, No.11, Keyuan Rd, Nanshan District, ShenZhen, China
Tel: +86-755-86938425 Fax: +86-755-82790632 Postalcode: 518057
E-mail: Sales@newpostech.com WebSite: www.newpostech.com