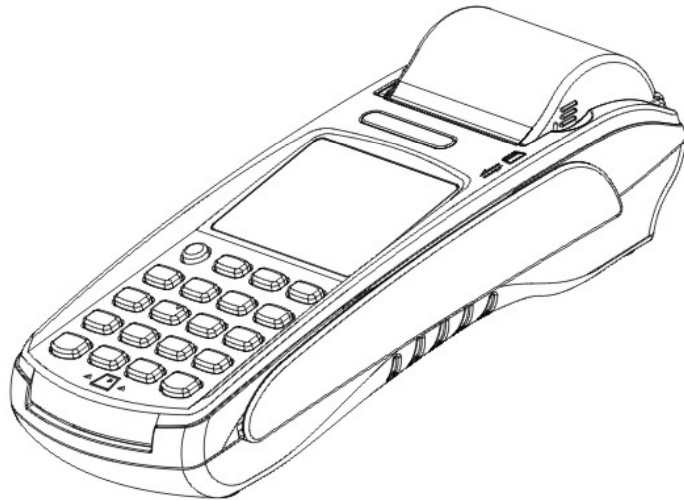


NEW 8110



Mobile payment terminal

PRODUCT MANUAL



NEW POS TECHNOLOGY LIMITED



NEW POS Technology limited

For you safety

- ★ Use only approved power supply for 8110, using other power supply may damage the device.
- ★ How to use rechargeable Li-ion battery properly.
 - * Use only approved rechargeable battery.
 - * Do not dispose of battery in fire or water.
 - * Do not expose battery to temperature above 60 °C, Store it in the environment between -20 °C and 60 °C.
 - * Charge with a charger designated for the device.
 - * Keep the contact surface of battery away from metal to avoid battery short.
 - * Recycle or dispose of expired battery properly complying with local environment requirement.
- ★ Do not use ethanol and other corrosive liquid to clear the device.

Contents Checklist

The following items should be found inside the box:

| | |
|----------------------|------|
| 1 NEW8110 EFT-POS | 1PCS |
| 2 AC Power Supply | 1PCS |
| 3 AC Power Cable | 1PCS |
| 4 LI-ion Battery | 1PCS |
| 5 Thermal paper roll | 1PCS |
| 6 Product Manual | 1PCS |
| 7 Q.C Passed | 1PCS |

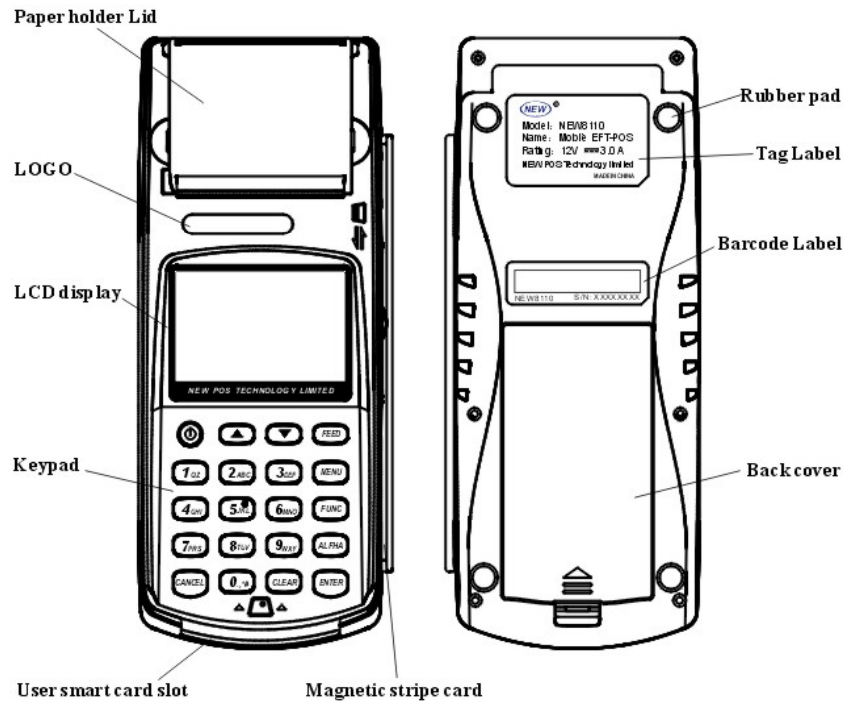
NEW8110

Product manual

Product Introduction

NEW 8110 is a powerful mobile payment terminal with secure ARM9 CPU, 24M large memory, compact design, and supports CDMA wireless communication methods and multi-application download. It allows merchants to accept payment anywhere.

NEW8110 Figure

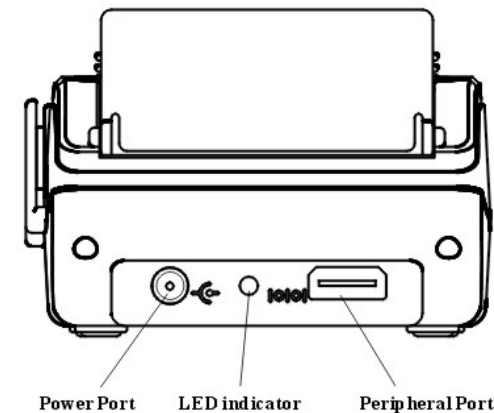


Top view

Back view

Parts function description

- Paper holder:** Holding thermal paper roll ($\varnothing 38 \times 57$ mm)
- LOGO:** Indicating device name and wireless module configuration
- Display:** 128 * 64 LCD display, with white LED backlight
- Keypad:** Numeric key/Function key/ON/OFF key, with backlight
- User smart card slot:** Supporting EMV card with contact surface facing up
- Magnetic Stripe Card Reader :** ISO7812, 1/2 Tracks or 2/3 Tracks or 1/2/3 Tracks, bi-directional swiping with the magnetic stripe facing LCD
- Rubber pad:** Four pads, anti-vibration/non-slip
- Tag Label:** Showing model name and rated device parameter
- Barcode Label:** Indicating model configuration and serial number
- Back cover:** Remove the cover to install battery or SIM/SAM card
- Power Port:** It only connects approved power supply for NEW8110.
- LED indicator:** It indicates the power status of device.
- Peripheral Port:** 2 UARTs



Interface Figure

Installation Guidance

1 Install the SIM/UIM card

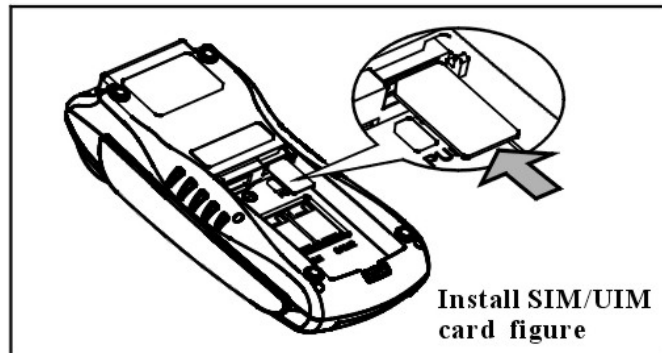
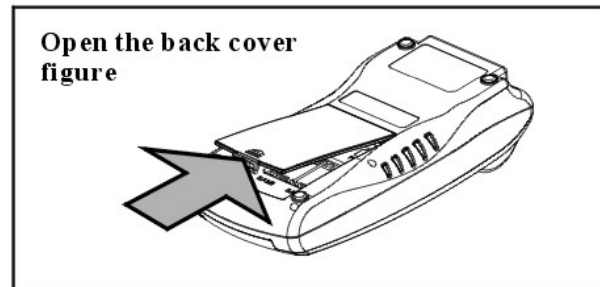
- * Press the back cover tache and remove the back cover as the figure shows;
- * Insert the card into the SIM/UIM card slot with the contact surface facing up, and push it until it locks into place.

2 Remove the SIM/UIM card

- * Remove the back cover of device;
- * Push the SIM/UIM card until it unlocks;
- * Draw the SIM/UIM card out its holder.

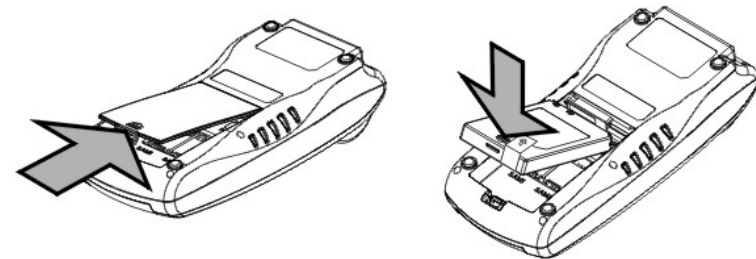
Note

- ▲ Make sure that the device is in power off status when installing or removing SIM/UIM card.
- ▲ If the battery is in the holder, Remove the battery in advance.



3 Install the Battery

- * Remove the back cover of the device;
- * Insert the battery with the battery tag facing up and press it until it locks its place;
- * Slide the back cover into its place.

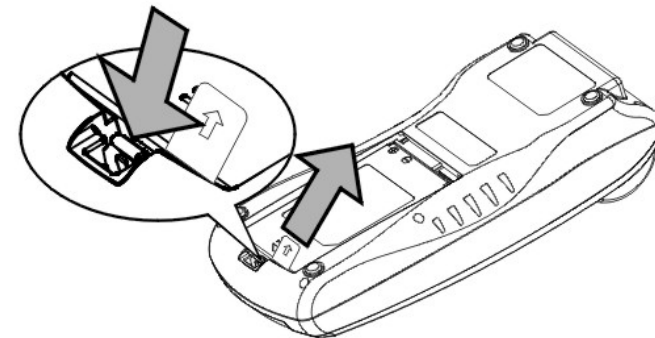


4 Remove the Battery

- * Remove the back cover of the device;
- * Press the designated battery tache and unlock the battery, and draw the battery belt up to
- * Remove the battery.

Note

- ▲ The battery should not be drawn out the holder using belt until the battery tache is pressed and the battery is unlocked completely.



5 Switch the device on

- * Press the power key "⏻", and the LCD backlight is switched on. Hold the power key for more than two seconds, then the buzzer of device beeps to show device boots successfully and LCD shows the corresponding application menu;
- * The device can be powered by battery or AC power supply.

6 Switch the device off

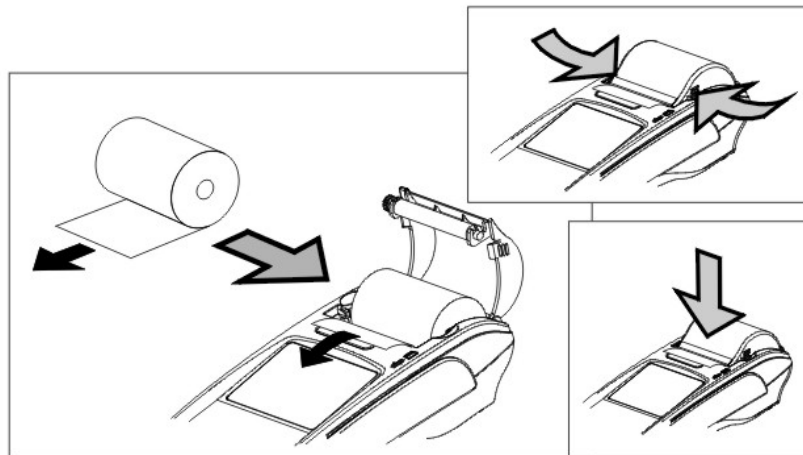
- * Press the power key "⏻", and hold the key for more than two seconds. LCD prompts with "POWER OFF" and the device is switched off successfully.

7 Loading thermal Paper roll

- * Press the designated position on the paper holder lid and open the lid up;
- * Load the paper roll into the paper holder and extend the paper 2-3 cm above paper cutter;
- * Close the paper holder lid;
- * Press the key "FEED" for a while to confirm whether the paper roll is loaded successfully.

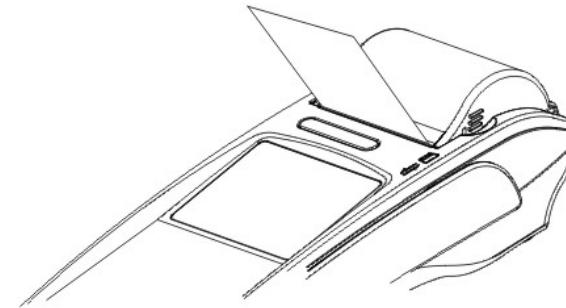
Note

- ▲ During loading paper roll, keep the thermal sensitive film of paper (external side of paper roll) facing the thermal head of printer to ensure normal printing.
- ▲ After long term printing, keep away from thermal printer head for high temperature.
- ▲ Keep away from the thermal printer paper cutter for the sharp edge.



8 Tearing off the paper

- * Hold the thermal paper edge, keep the paper at 45 degree angle with the LCD surface, tear off the paper from left to right with steady speed.



9 Swiping a Magnetic Stripe Card

- * During card swiping, the magnetic stripe should be downward and face the LCD of terminal, swipe it through the reading slot located on the right side of the terminal bidirectionally;
- * Swipe the card with steady speed.

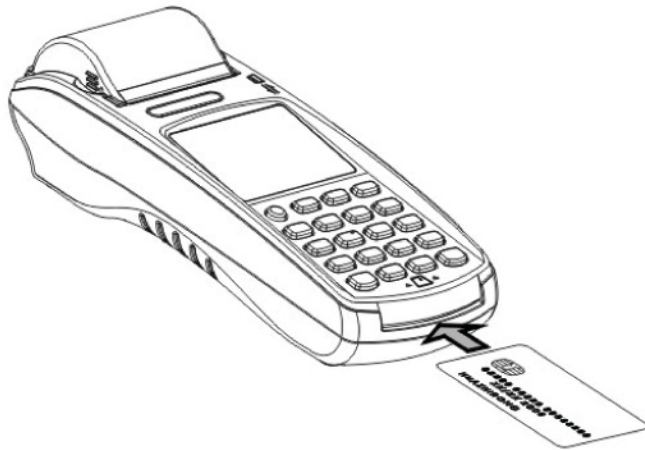
Note

- ▲ During swiping, keep the lower edge of the magnetic stripe card horizontally with the card guiding surface. Or it may lead to swiping card error.



10. Insert user smart card

- * Insert smart card with the gold-colored contact surface facing up into the card slot.
View LCD Icc card icon to determine if IC card is inserted into its place. If the IC card icon is switched on, it indicates OK. While the icon is off, please confirm whether gold-colored contact surface of card is facing up and IC card is inserted into its place.



11. Battery Charge

- * Remove the back cover of the device. Insert the rechargeable battery.
Slide the back cover into its place. (If the rechargeable battery is in the device, the step is unnecessary.)
- * Connect the lead from power supply to the power port on the back of the device. And connect the AC plug of power supply to the wall socket. LED indicator on the back of device shows red indicating that battery is in charging status. If the LED indicator shows green, it indicates battery charge completes.

Note:

If the device is in powered-off state, Only LED indicator on the back of device shows battery charge status. While the device is in powered-on state, Battery icon on the LCD display also indicates the battery charge status. The battery icon flickers gradually indicating battery charging is in progress. Once the battery charge completes, battery icon stop flickering, progress bars of battery icon are all switched on and LED indicator shows green.

Technical Specifications

Terminal characteristics

| | |
|--------------------------|--|
| Processor: | 32 bit secure ARM9, 180MHZ |
| Memory : | 8MB FLASH, 16MB SDRAM |
| Display: | 128 x 64 pixel LCD, with LED backlight and special icon |
| Keypad: | 10 alphanumeric keys, 9 functional keys 1 switch[ON] key LED backlight |
| Magnetic Card Reader: | ISO7812, Track 1/2/3, bi-directional swipe |
| User smart card reader: | 1 user card (EMV2000), support SLE4442 / SLE4428 memory card |
| PSAM Slots: | 2, ISO7816 |
| Contactless Card Reader: | ISO 14443 TYPE A / TYPE B, SONY FELICA |
| Key management: | support MK/SK, Fixed, DUKPT; support 112 bits and 168 bits triple DES |
| Communication: | CDMA |
| Remote download: | support remote download via FTP or TFTP |
| Peripheral Ports: | 2 Rs232 |
| Printer: | 28 lines/sec, thermal Paper Roll: 38mm diameter, 57mm width |
| Font: | supports GB2312, GB18030, BIG5 |
| Dimensions: | 215mm × 9.5mm × 2.8mm (L × W × H) |
| Weight : | 566g (with battery) |

Environment

| | |
|----------------------|---|
| Power Supply: | Input: 100~240 VAC, 1.5A, 50Hz/60Hz; Output: 12VDC, 3A |
| Battery: | 2150mAh, 7.4V, standby time more than thirty hours, Machine powered by battery per charge can complete 250 transactions |
| Working Environment: | Temperature: 0℃ ~ 50℃, Humidity: 10% ~ 90% |
| Storage Environment: | Temperature: -20℃ ~ 60℃, Humidity: 5% ~ 95% |



Security guidance during PIN-entry

- * NEW8110 belongs to attended device.
- * Install the device on an adjustable stand that allows consumers to swivel the terminal side ways and/or tilt it forwards/backwards to a position that makes visual observation of the PIN-entry process difficult.
- * Place the in-store security cameras where the PIN-entry keypad is not visible.
- * Card holder had better use his/her body and hands to prevent visual observation of PIN-entry process.
- * Do not outlet PIN to others or write the password on card.

Special statement

NEW POS Technology limited reserves the right to substitute, add or alter any item in the manual. NEW POS Technology limited tries best to avoid literal error and does not accept any responsibility for it.

NEW POS Technology limited undertakes no responsibility for any loss and harms that result from misuse the device not complying with the instruction of product manual.

All rights reserve.



Warning:

This device complies with part 15 of the FCC Rules. Operation is subject to the following two conditions:(1) The device may not cause harmful interference, and (2) this device must accept any interference received, including interference that may cause undesired operation.

Changes or modification not expressly approved by the party responsible for compliance could void the user's authority to operate the equipment.

Fcc Radio Frequency Exposure statement

This product has been evaluated under FCC Bulletin OET 65C and found compliant to the requirement asset as set forth in CFR 47 section 2.1091, 2.1093 and 22H addressing RF Exposure from radio frequency device. The redialed output power of this product is far below the FCC radio frequency exposure limits.

NEW POS TECHNOLOGY LIMITED

Address: 6FRM, 6F, China Economic Trade Building,
7Rd Zizhu, Zhuzilin, Futian District, ShenZhen, China

Tel: +86-755-82790612

Fax: +86-755-82790632

WebSite: www.newpostech.com

PostCode: 518000