



Quickly start viewing  
live video right from  
your smartphone  
or tablet



# Xpy 1201

WIRELESS | FIXED IP CAMERA

AILELFI4U2



Thank you for purchasing the High Definition Wireless IP camera from Nexxt Solutions. This easy to set up wireless camera is a versatile security option for viewing, recording, and archiving footage. This document will guide you through the installation process of the camera, including its hardware and software configuration based on the available operation/viewing platforms.

## 1. Package contents

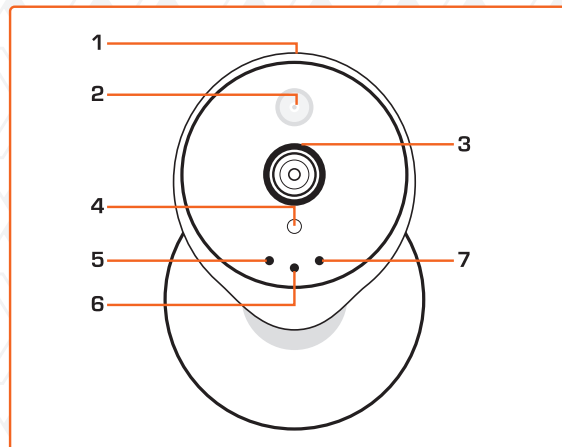
Open the box and make sure all items listed below are included:

### Xpy 1201

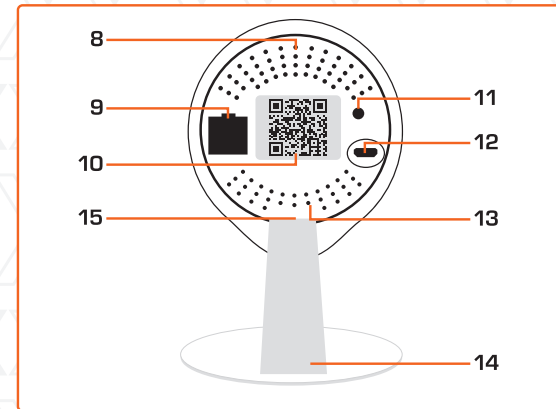
- Wireless fixed IP camera
- AC power adaptor
- Network cable
- Mounting hardware and bracket
- Wireless antenna
- Resource CD-ROM, containing the following:
  - XpyGuard PC client software
  - XpyGuard mobile app
  - IP camera search tool
  - Digital copies of the quick installation guide
  - IPCWebComponents web plug-in

## 2. Product overview

### Front view



### Back view



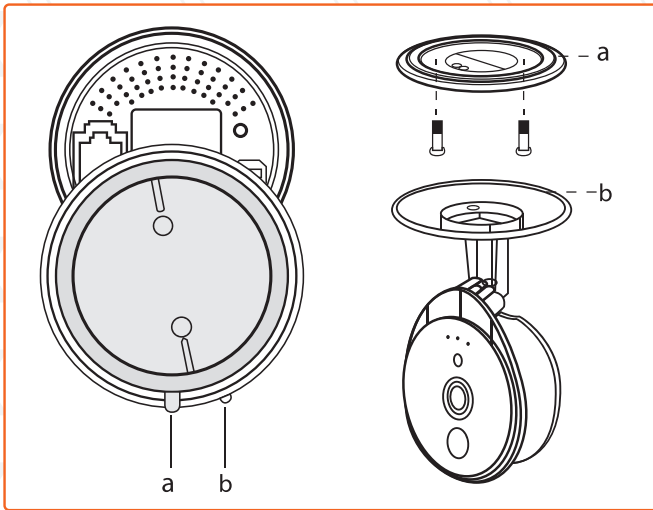
1. Built-in wireless antenna
2. Night vision LED
3. Lens
4. Light sensor
5. Power indicator light
6. Built-in microphone
7. Status light
8. Speaker
9. Network port (RJ45)
10. QR code
11. WPS/ reset button
12. Micro USB DC input
13. Heat sink
14. Mounting base with articulating arm
15. Micro-SD card slot

## 3. Preliminary steps

### Ceiling or wall installation

- 3.1 Select the mounting location that provides the best view of the area you wish to monitor.
- 3.2 Rotate the plate located on the base, until the groove on the detachable plate aligns with the one on the base. This will allow to detach the mounting plate from the camera base.
- 3.3 Use the plate as a template to drill the holes on the desired location.
- 3.4 Install the mounting plate on a wall or ceiling with the supplied screws and anchors.

- 3.5 Screw the camera base back to the mounting plate by aligning grooves A and B. Then, rotate the camera until both grooves are no longer aligned so as to secure the camera firmly in place.



- 3.6 For desktop mounting, simply skip the previous steps as the unit can be directly placed on a flat surface.
- 3.7 Plug the camera to a wall outlet using the supplied AC adaptor to power it on. Allow a couple of minutes for the camera to reboot.

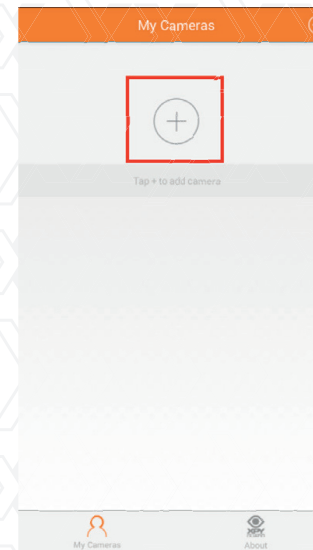
**Warning:** Make sure to use the supplied power adapter to make the connections to the AC mains. The use of a different adaptor may cause damage to the camera, heat up or catch fire. Any damage caused to the camera by using the incorrect power adaptor will void the warranty.

## 4. Camera setup

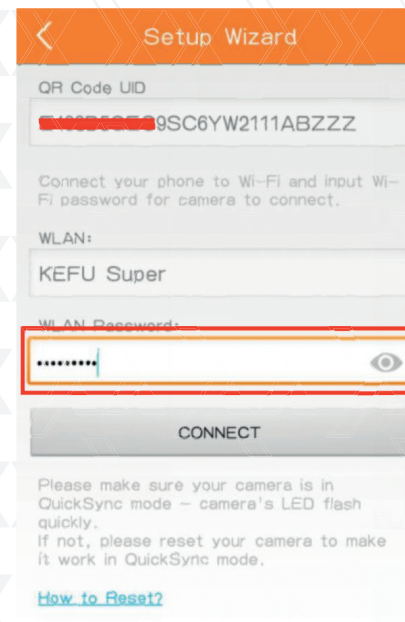
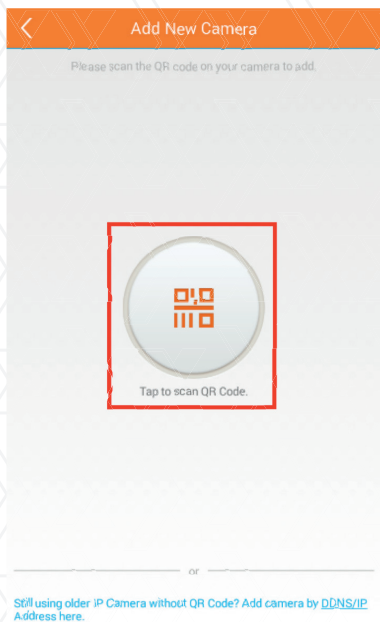
### Using QuickSync with a mobile device

Our **Quick Sync** technology allow users to setup the camera in just a few easy steps through a wireless link. Unlike conventional IP cameras, the **Xpy-1201** does not need a wired connection to be configured and integrated into your wireless network.

- 4.1 First, search and install the **XpyGuard** application from Google Play or the App Store, depending on your device's platform. Since both apps are similar, we have chosen the Android system to illustrate the configuration procedure in this guide.
- 4.2 Enable the wireless function on your mobile device, and connect it to your wireless router. Run the app and proceed to open the **XpyGuard** management page.
- 4.3 Select the **Tap + to add camera** option.



- 4.4 Tap on the **QR UID** icon in the center.



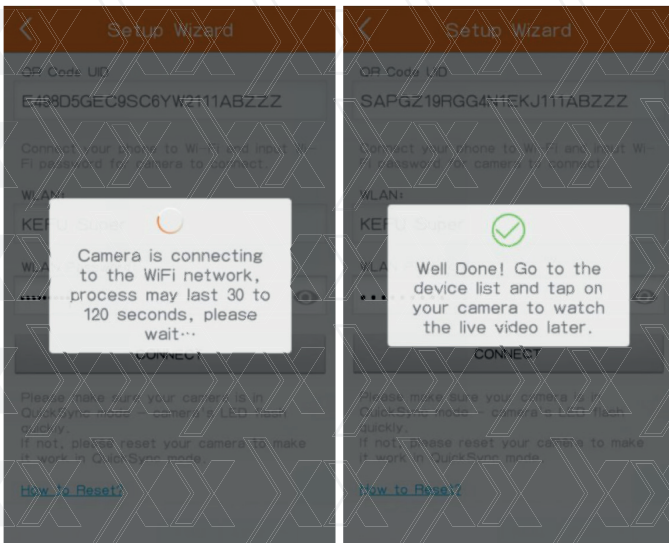
4.5 Next, scan the QR code located on the label of the camera. The **QR Code UID** field should be populated with the same code found on the camera label. Next, the user will need to enter the password of the wireless network. Once done, click **Connect** to continue.

**Note:**

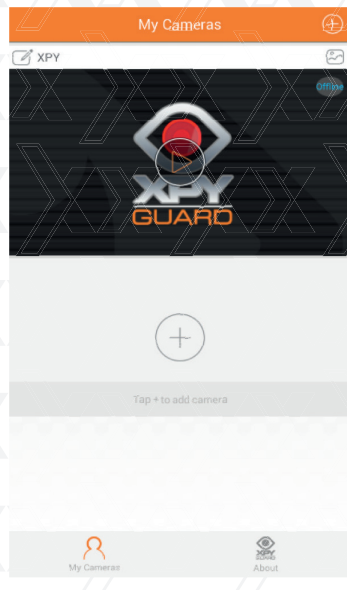
When camera is in QuickSync mode, the status LED on the camera will blink fast. If the device is not already in QuickSync mode, the user will need to reset the camera by pressing and holding the corresponding button located in the base of the device.

4.6 Depending on your network connection, you may have to allow between 30 to 120 seconds for the process to complete. Once the connection is established, you will get a message prompt confirming that the camera was set up successfully.

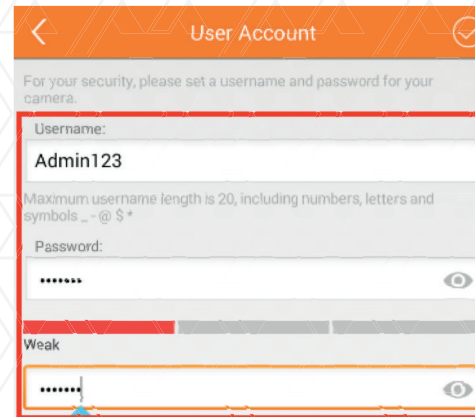




4.7 Once added, go to **My Cameras** option and tap on the **Live View** of the camera.



4.8 As a security measure, you will need to change the default username and password when you first log in. Ensure to use a secure user name and password. Once done, click on the check mark on the upper right hand corner of the screen.



- 4.9 You will now have access to live footage of the camera and use all available controls such as two-way audio communication, snapshots, video recording, set the streaming quality between HD and SD, and so much more.



## 5. Connection of the IP camera using conventional configuration methods

### Note:

Skip this section if already setup wirelessly through the app

### 5.1 Wireless set up via WPS (Wi-Fi Protected Setup)

5.1.1 Press and hold the WPS button on the camera for two seconds.



5.1.2 **Within 60 seconds**, press the WPS button on your router. This is usually found on the back or on the side of the router. Some devices may even require to log in to their web interface, and click on an on-screen button to activate the WPS feature. If you are not sure where the WPS button is located on your router, please refer to the manufacturer's manual for details.

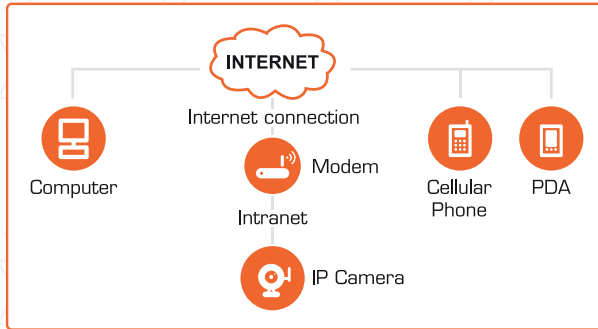
5.1.3 The camera will automatically create a secure wireless connection to your router in about 60 seconds. If a network cable has been previously connected, make sure to remove it now.

### Note:

- Set the security mode of your router to WPA-PSK/WPA2-PSK. Otherwise, the WPS settings may fail to take effect.
- If your router does not support WPS, the **traditional wired** configuration is required prior to accessing the manual wireless setup. Once inside the web user interface, refer to section **8. Wireless connection (manual method)** to complete the wireless installation.

## 5.2 Conventional wired set up

- 5.2.1 Insert the ethernet cable to the RJ45 port of the IP camera.
- 5.2.2 Connect the other end of the network cable to your ethernet switch, hub, router or IP sharing device.



## 6. Accessing the camera via web interface

- 6.1 First insert the installation CD-ROM disk in your CD drive.
- 6.2 Locate the folder **IP camera search tool** and then look for the subfolder containing the operating platform of your computer: **"For Windows OS"** or **"For Mac OS"**.



Shortcut icon for Windows OS



Shortcut icon for Mac OS

- 6.3 Copy and paste the IP camera tool file to your computer, or simply drag it onto your desktop.

### Note:

If your computer does not have a CD drive, you can download the IP camera tool directly from our website for free.

### 6.1 Accessing the camera

- 6.1.1 Enable the DHCP feature of your router (which is normally set to this protocol by default). Proceed to open the IP Camera Tool, which is designed to find the camera's IP address automatically in your LAN (Local Area Network).

Camera name	IP Address	Device ID	Device type
Xpy1200	Http://192.168.2.100	00626E4F600b	H_264

- 6.1.2 Double click the IP address of the camera from the list. This will cause your default browser to open the camera's login page.
- 6.1.3 When logging in for the first time, you will need to download and install the IPCWebComponents. We will use Internet Explorer in this example. However, for browsers like Google Chrome, MAC OS, Safari or Mozilla Firefox, please refer to the user manual.

### Note:

The 64-bit browser is not supported.

