

# Tubular Motor- DM45EQ/S Specification



(A-00)

## Product introduction

⚠ One motor maximum can store 10 channels, over 10 channels, if still need add new emitters, it will be repeating covered last channel.



### Functional features:

- Setting up + add emitter +delete emitter
- With up and down limit manually setting
- Step-move limit setting
- Group control function
- Direction Change
- Resistance protection function
- Set /delete limit function
- With third limit position function

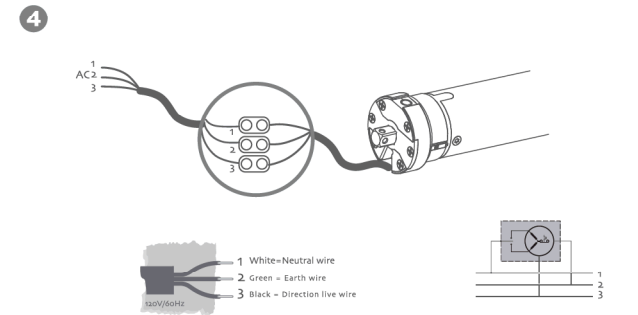
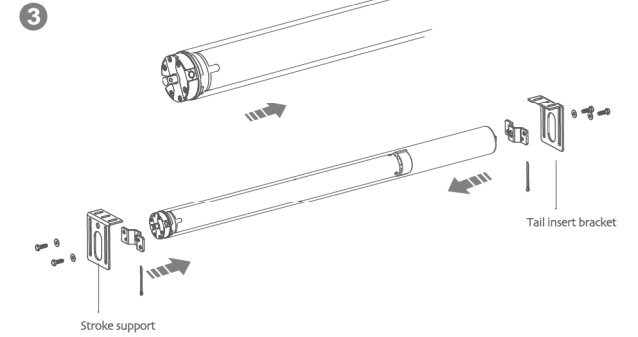
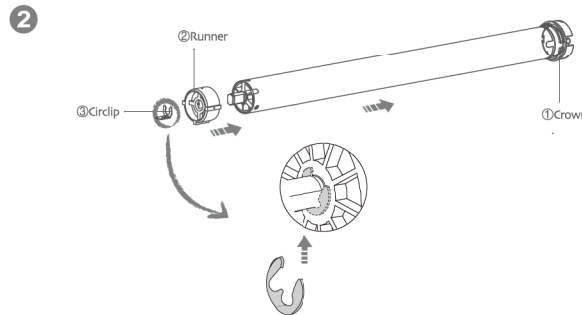
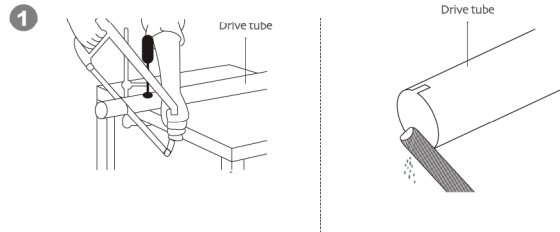


### Parameter

Type	DM45EQ/S-10N/21F
Rated Torque(N.m)	10N.m
Rated Current(A)	1.0A
Rated Voltage(V)	120V

## Motor Installation

- ①Driving tube must be close-fitting with crown and drive adapter.
- ②Choose crown and drive adapter based on the driving tube.



## Operation note

⚠ Please read the following precautions before use:

1. Please refer to the AC wiring diagram  
You must isolate the extra wires. The wire pressing block in the accessory bag is available for this usage, or you can use other method.
2. Don't operate motors when low voltage alarm.
3. Operating:
  - ①The valid interval of the emitter button is 6S, the emitter will quit the set after 6s.
  - ②The motor will run or beep for hint, please do the next step after the hint.
4. Set limit position:
  - ①Before you have to set up/down limit position, and it is invalid when the up/down limit and the third limit are at the same location.
  - ②After limit setting, with power and memory function.
  - ③Limit delete will clear all limit memory.
  - ④It will exit limit setting when program there is no operation for 2 minutes.
  - ⑤When the motor moving up or down, press the setting button P2 once, the motor will be under the step-moving status, press the setting button P2 again, the motor will run continuously. Press the stop button, it will exit the limit position setting.
5. If the emitter lost, please set up again with new emitter.



# Tubular Motor- DM45F/S Specification



(A-00)

## Product introduction

⚠ One motor maximum can store to channels, over 10 channels, if still need add new emitters, it will be repeating covered last channel.



### Functional features:

- Setting up + add emitter +delete emitter
- With up and down limit manually setting
- Step-move limit setting
- Group control function
- Direction Change
- Resistance protection function
- Set /delete limit function
- With third limit position function

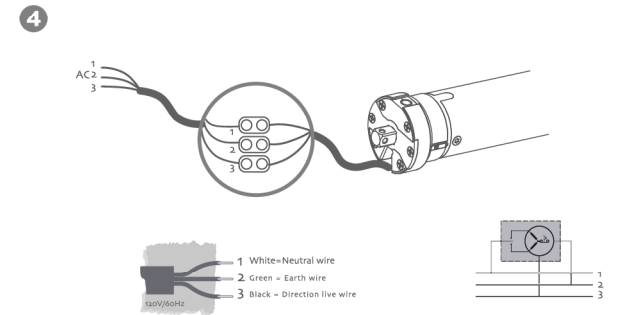
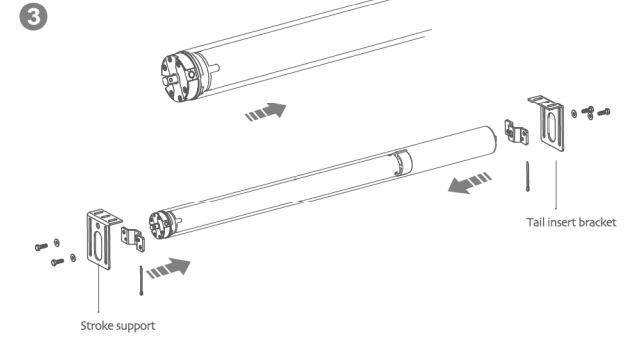
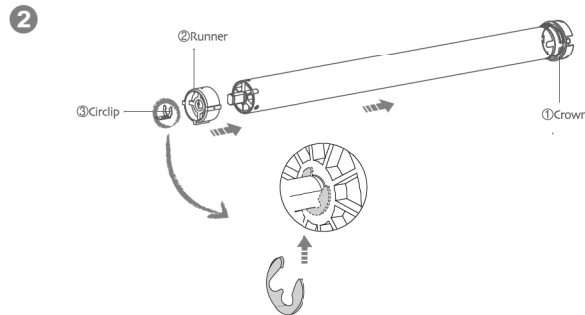
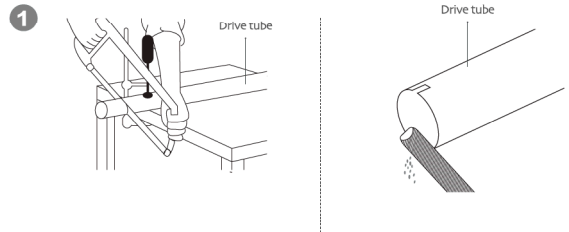


### Parameter

Type	DM45F/S-15N/32r
Rated Torque(N.m)	15N.m
Rated Current(A)	1.73A
Rated Voltage(V)	120V

## Motor Installation

- ①Driving tube must be close-fitting with crown and drive adapter.
- ②Choose crown and drive adapter based on the driving tube.



## Operation note

⚠ Please read the following precautions before use:

1. Please refer to the AC wiring diagram  
You must isolate the extra wires. The wire pressing block in the accessory bag is available for this usage, or you can use other method.
2. Don't operate motors when low voltage alarm.
3. Operating:
  - ①The valid interval of the emitter button is 6S, the emitter will quit the set after 6s.
  - ②The motor will run or beep for hint, please do the next step after the hint.
4. Set limit position:
  - ①Before you have to set up/down limit position, and it is invalid when the up/down limit and the third limit are at the same location.
  - ②After limit setting, with power and memory function.
  - ③Limit delete will clear all limit memory.
  - ④It will exit limit setting when program there is no operation for 2 minutes.
  - ⑤When the motor moving up or down, press the setting button P2 once, the motor will be under the step-moving status, press the setting button P2 again, the motor will run continuously. Press the stop button, it will exit the limit position setting.
5. If the emitter lost, please set up again with new emitter.







**FCC Statements:**

This equipment has been tested and found to comply with the limits for a Class B digital device, pursuant to Part 15 of the FCC Rules. These limits are designed to provide reasonable protection against harmful interference in a residential installation.

This equipment generates, uses and can radiate radio frequency energy. However, there is no guarantee that interference will not occur in a particular installation. If this equipment does cause harmful interference to radio or reception, which can be determined by turning the equipment off and on, the user is encouraged to try to correct the interference by one or more of the following measures:

- Reorient or relocate the receiving antenna.
- Increase the separation between the equipment and receiver.
- Connect the equipment into an outlet on a circuit different from that to which the receiver is connected.
- Consult the dealer or an experienced technician for help.

This device complies with part 15 of the FCC Rules. Operation is subject to the following two conditions:

- 1) This device may not cause harmful interference, and
- 2) This device must accept any interference received, including interference that may cause undesired operation.

MODIFICATION: Any changes or modifications not expressly approved by the grantee of this device could void the user's authority to operate the device.

**IC Statements:**

-English:

This device complies with Industry Canada RSS standard(s). Operation is subject to the following two conditions: (1) this device may not cause interference, and (2) this device must accept any interference, including interference that may cause undesired operation of the device.

2. Changes or modifications not expressly approved by the party responsible for compliance could void the user's authority to operate the equipment.

-French:

Le présent appareil est conforme aux CNR d'Industrie Canada applicable aux appareils radio

Exemptés de licence. L'exploitation est autorisée aux deux conditions suivantes :

(1) l'appareil ne doit pas produire de brouillage, et (2) l'utilisateur de l'appareil doit accepter tout brouillage radioélectrique subi, même si le brouillage est susceptible d'en compromettre le fonctionnement."