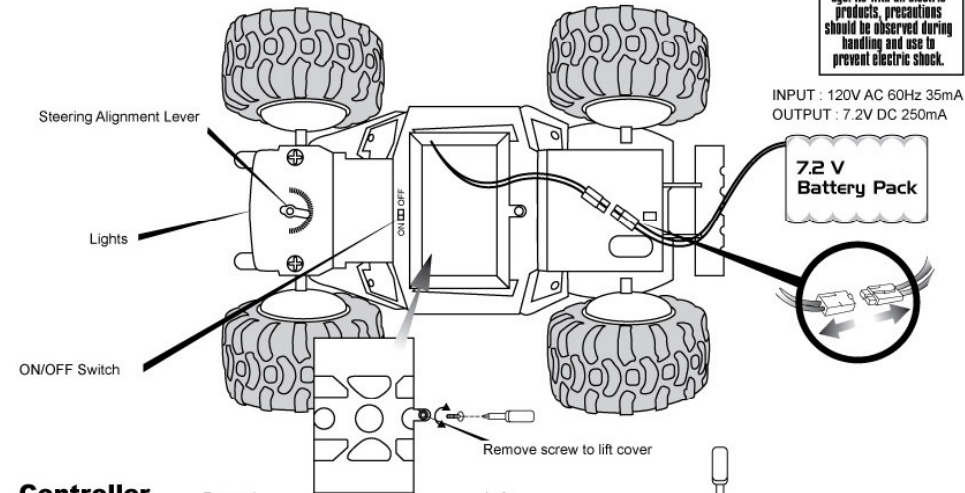


# HALO® 8+

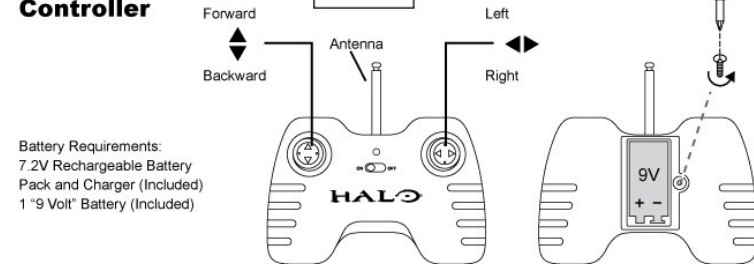
## OPERATOR'S MANUAL Full Function Radio Control

### #701 Battery Installation

#### Vehicle



#### Controller



Battery Requirements:  
7.2V Rechargeable Battery  
Pack and Charger (Included)  
1 "9 Volt" Battery (Included)

This equipment has been tested and found to comply with limits for a Class B digital device, pursuant to Part 15 of the FCC Rules. These limits are designed to provide reasonable protection against harmful interference in a residential installation. This equipment generates, uses and can radiate radio frequency energy and, if not installed and used in accordance with the instruction, may cause harmful interference to radio communications. However, there is no guarantee that interference will not occur in a particular installation. If this equipment does cause harmful interference to radio or television reception, which can be determined by turning the equipment off and on, the user is encouraged to try to correct the interference by one or more of the following measures.

- Reorient or relocate the receiving antenna.
- Increase the separation between the equipment and receiver.
- Connect the equipment into an outlet on a circuit different from that to which the receiver is connected.
- Consult the dealer or an experienced radio/TV technician for help.

Changes or modifications not expressly approved by the party responsible for compliance could void the user's authority to operate the equipment.  
\*\*This device and its antenna must not be co-located or operating in conjunction with any other antenna or transmitter. \*

CE2150  
Made in China

**WARNING:**  
**CHOKING HAZARD - Small parts.**  
Not for Children under 3 years.

This device complies with part 15 of the FCC Rules. Operation is subject to the following two conditions:  
(1) this device may not cause interference, and (2) this device must accept any interference, including interference that may cause undesired operation of the device.

**CAUTION:  
ELECTRICALLY  
OPERATED PRODUCT.**  
Not recommended for children under 8 years of age. As with all electric products, precautions should be observed during handling and use to prevent electric shock.

INPUT: 120V AC 60Hz 35mA  
OUTPUT: 7.2V DC 250mA

### Battery Pack IMPORTANT!

1. Insert the supplied 7.2V Battery Pack securely into the charger as shown.
2. Plug the charger into a standard 110/120V indoor electrical outlet.
3. Allow the Battery Pack to charge for a minimum of 8 hours on the initial two charges. Subsequent charges require only 4 hours.
4. Remove Charger and battery from outlet. Lift release lever on the side of the Charger to remove fully charged Battery Pack. Do not leave Charger in electrical outlet when not in use.
5. This power unit is intended to be correctly orientated in a vertical or floor mount position.



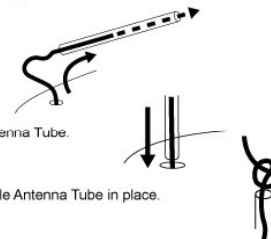
**NOTE:** Battery Packs will become warm after charging or during use. Make certain to allow the Battery Pack to cool before recharging. Charging a warm Battery Pack will greatly reduce its life. Do not overcharge the battery pack which may result in battery failure.

#### ATTENTION PARENTS:

The battery charger & battery pack need to be periodically examined for potential hazards. Any potentially hazardous parts need to be repaired or replaced.

#### Insert the Antenna tube

Locate the vehicle antenna wire, which leads through an opening on the top of the vehicle.



Slide the vehicle antenna wire through the Vehicle Antenna Tube. Insert the tube into the opening.

Tie a simple knot in the antenna wire to hold the Vehicle Antenna Tube in place.

#### TROUBLE SHOOTING

##### Problem - Vehicle does not move or moves slowly.

- Make certain there are fresh alkaline batteries in the transmitter and that they have been installed in the correct position.
- Has the Battery Pack been installed in the vehicle?
- Has the rechargeable Battery Pack been fully charged?
- Are the metal contact tabs touching, rusty or dirty in the transmitter?
- Make certain that the vehicle ON/OFF switch is in the "ON" position.

##### Problem - Vehicle moves by itself or exhibits low range from the transmitter.

- Make certain there is no outside radio interference in your area. The best way to test this is to take the vehicle as far away from radio towers, electrical lines or tall buildings as possible. If the vehicle operates correctly in the new area, radio interference was the problem.

#### 10 HINTS WHEN USING BATTERIES

1. Do not use old and new batteries or batteries of different types at the same time. When changing batteries, always replace with a new set of batteries.
2. Do not use non-rechargeable batteries with rechargeable batteries or rechargeable batteries of different capacities.
3. Observe the polarity marks on the batteries and match them according to the battery compartment markings.
4. Remove all batteries from the transmitter and the vehicle when not in use for an extended period of time.
5. Misuse of the built-in rechargeable battery may lead to heat, break, fire or leak of electrolyte. Please pay enough attention to the following cautions.
6. Please charge the battery only when it's fully stopped. Never charge a vehicle that has been fully charged to avoid danger caused by excessive charging.
7. Stop using whenever it's wet to avoid short-circuit.
8. Never throw the battery into water or fire or disassemble or weld it.
9. Do not use, charge or store the toy near a fire source or in hot and humid place.
10. Use only special charger for charging purpose.

#### VEHICLE OPERATION

Any of the following conditions may interfere with the behavior and function.

The transmitter signals can easily be interrupted.  
Improper handling may hamper the performance of the vehicle.

#### SAFETY PRECAUTIONS

Remember to avoid water, heat, sand and high impact!

- Keep vehicle away from wet surfaces or rain.
- Avoid running on thick carpet or dusty floors.
- Avoid collision on hard surface.
- Avoid running 2 vehicles of the same frequency. Always run one at a time unless you purchase vehicle with different frequencies.
- Keep vehicle away from sandy or dusty areas.
- DO NOT operate your vehicle on the streets!
- DO NOT carry the vehicle by pulling the antenna wire.
- The supply terminals are not to be short-circuited.

© 2010 Microsoft Corporation. All Rights Reserved.  
Microsoft, 343 Industries, the 343 Industries logo,  
Halo, the Halo logo, Xbox, Xbox 360, and the Xbox logos,  
are trademarks of the Microsoft group of companies.

100628