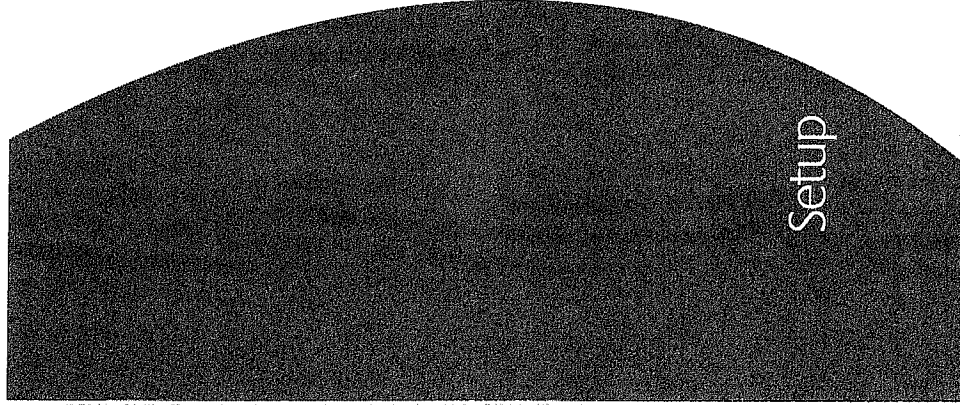




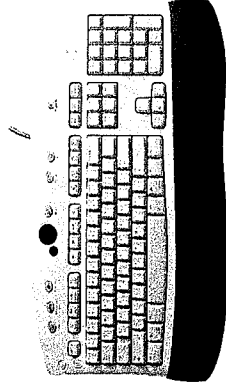
Logitech® on the world wide web: www.logitech.com

©2002 Logitech. All rights reserved. Logitech, the Logitech logo, and other Logitech marks are owned by Logitech and may be registered. All other trademarks are the property of their respective owners. Logitech assumes no responsibility for any errors that may appear in this manual. Information contained herein is subject to change without notice.

Part number: 623024-0403



Setup



Logitech®
Access™ Keyboard

1

Cable Cable Câble Cabo

English

Turn off your computer.
Connect keyboard cable
to the PS/2 keyboard port.

Français

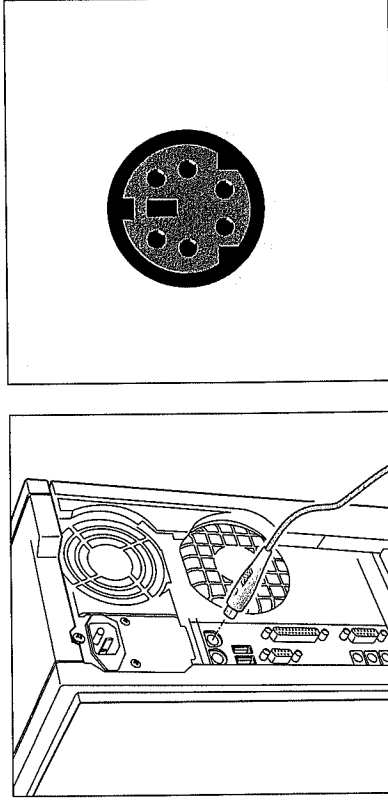
Eteignez votre ordinateur.
Connectez le câble du clavier
au port clavier PS/2.

Español

Apague el ordenador.
Conecte el cable del teclado
al puerto de teclado PS/2.

Português

Desligue o computador.
Conecte o cabo do teclado
à porta de teclado PS/2.



2

Software Le logiciel El Software O Software

English

Turn on your computer.
To enjoy all the features
of the keyboard, you must
install the software.

Français

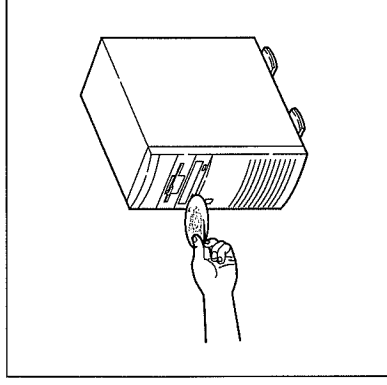
Allumez votre ordinateur.
Pour profiter pleinement de
toutes les fonctions du clavier,
vous devez installer le logiciel.

Español

Encienda el ordenador.
Para disponer de todas
las funciones del teclado,
debe instalar el software.

Português

Ligue o computador.
Para utilizar todos os recursos
do teclado, é necessário
instalar o software.



Features Funciones Fonctions Recursos

English

1. Suspend key.
 2. F-Lock key.
 3. Communication keys.
 4. Multimedia keys.
 5. Internet keys.
- For more information, refer to the online User's Guide located on your hard disk.

Español

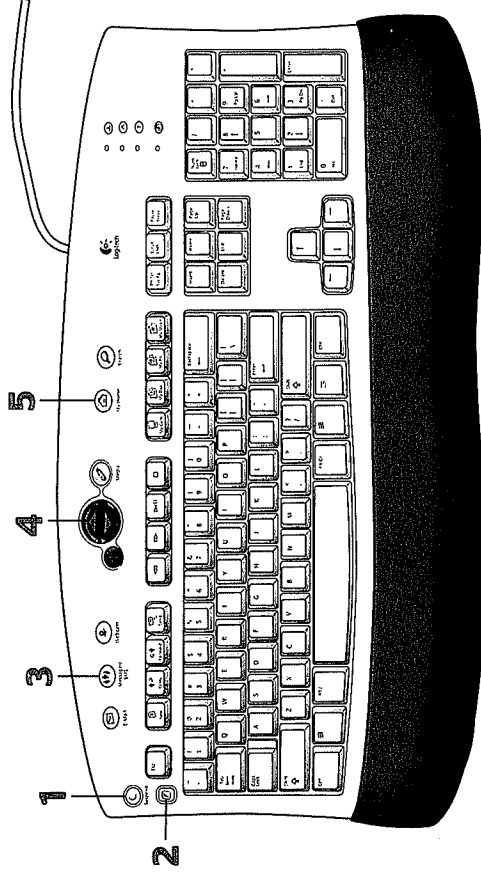
1. Botón de suspensión.
 2. Bloq teclas F.
 3. Botones de comunicación.
 4. Botones Multimedia.
 5. Botones de Internet.
- Para más información, consulte el Manual del usuario en pantalla ubicado en el disco duro.

Français

1. Touche d'interruption.
 2. Verr. F.
 3. Touches de communication.
 4. Touches multimédias.
 5. Touches Internet.
- Pour de plus amples informations, consultez le Guide de l'utilisateur, situé sur votre disque dur.

Português

1. Tecla Suspende.
 2. Bloqueio de F.
 3. Teclas de Comunicação.
 4. Teclas de Multimídia.
 5. Teclas da Internet.
- Para obter mais informações, consulte o Guia do Usuário on-line, localizado em seu disco rígido.



Important Ergonomic Information Información sanitaria importante
Informations importantes relatives au confort
Importantes informações sobre Conforto

English

Important Ergonomic Information.
Long periods of repetitive motions using an improperly set-up workspace, incorrect body position, and poor work habits may be associated with physical discomfort and injury to nerves, tendons, and muscles. If you feel pain, numbness, weakness, swelling, burning, cramping, or stiffness in your hands, wrists, arms, shoulders, neck, or back, see a qualified health professional. For more information, please read the Comfort Guidelines located on the iTouch® software CD and on the Logitech® web site at <http://www.logitech.com/comfort>.

Español

Información sanitaria importante.
Para más información, consulte las Recomendaciones para evitar el cansancio en el CD de software iTouch® y en la página Web de Logitech®, <http://www.logitech.com/comfort>.

Français

Informations importantes relatives au confort. Des tâches répétitives effectuées pendant de longues périodes et un espace de travail mal agencé peuvent entraîner de l'inconfort, voire des blessures au niveau des nerfs, des tendons et des muscles. Si vous ressentez des douleurs, des engourdissements, des gonflements, des crampes, des raideurs ou des sensations de brûlure, au niveau des mains, des poignets, des bras, des épaules, du cou ou du dos, consultez votre médecin. Pour plus d'informations, veuillez consulter le guide "Logitech et votre confort" situé sur le CD du logiciel iTouch® et sur le site Web de Logitech® à l'adresse suivante: <http://www.logitech.com/comfort>.

Português

Importantes Informações sobre Conforto. Para obter mais informações, consulte Orientações de Conforto, localizado no CD do software iTouch® e no site Web da Logitech®, em <http://www.logitech.com/comfort>.

Troubleshooting Dépannage
Solução de Problemas Resolución de problemas

English

Keyboard does not work:
1. Check the keyboard cable connection. 2. Make sure to install the keyboard software.

Español

El teclado no responde:
1. Compruebe la conexión del cable del teclado. 2. Asegúrese de que ha instalado el software del teclado correctamente.

Français

Mon clavier ne fonctionne pas:
1. Vérifiez la connexion du câble du clavier. 2. Assurez-vous que le logiciel a bien été installé.

Português

O teclado não funciona:
1. Verifique a conexão do cabo do teclado. 2. Não se esqueça de instalar o software do teclado.

Warranty and FCC Garantie et FCC Garantía y FCC Garantia e FCC

Country	Address	Infoline Product Information	Hotline Technical Help
---------	---------	------------------------------	------------------------

EUROPEAN, MIDDLE EASTERN & AFRICAN HEADQUARTERS LOGITECH Trading S.A. CORPORATE HEADQUARTERS LOGITECH Inc.	Moulin-du-Choc CH 1122 Romanel-sur-Morges 6505 Kaiser Drive USA Fremont, CA 94555	+41 (0) 21 863 54 00 English FAX +41 (0) 21 863 54 02 (800) 231-7717	+41 (0) 21 863 54 01 English FAX +41 (0) 21 863 54 02 +1 702 269 3457
---	--	--	---

ASIAN PACIFIC HEADQUARTERS LOGITECH Far East Ltd.	#2 Creation Road IV Science-Based — Industrial Park ROC Hsinchu, Taiwan	(800) 231-7717	+886 (2) 27466601 x2206
--	---	----------------	-------------------------

AUSTRALIA LOGITECH Australia Computer Peripherals Pty Ltd.	Level 2, 633 Pittwater Road AUS Dee Why NSW 2099, Australia		+61 (02) 9804 6968 +61 (02) 9972 3561
--	--	--	--

CANADA Sales & Marketing Office	5025 Orbitor Dr., Bldg. 6, Suite 200 CON Mississauga, ON L4W 4Y5	(800) 231-7717	+1 702 269 3457
------------------------------------	---	----------------	-----------------

JAPAN LOGICCOOL Co. Ltd.	Ryoshin Ginza East Mirror Bldg., 7F 3-15-10 Ginza Chuo-ku, Tokyo, Japan 104-0061		+81 (3) 3543 2122 FAX +81 (3) 3543 2911
-----------------------------	--	--	--

ITALIA LOGITECH Italia S.r.l.	Centro Direzionale Collesoni Palazzo Andromeda 3 I 20041 Agrate Brianza, MI	+39-02 215 1062	+39-02 214 0871
----------------------------------	---	-----------------	-----------------

In LATIN AMERICA AND THE CARIBBEAN	Contact your local authorized distributor, or call our Customer Support Hotline in the USA		+1 702 269 3457
------------------------------------	---	--	-----------------

English

Your product comes with a limited warranty, and is FCC compliant. For more information, refer to the online User's Guide located on your hard disk.

Français

Votre produit est livré avec une garantie limitée, et il est conforme FCC. Pour de plus amples informations, consultez le Guide de l'utilisateur, situé sur votre disque dur.

Español

El producto se entrega con una garantía limitada y cumple con las normativas FCC. Para más información, consulte el Manual del usuario en pantalla ubicado en el disco duro.

Português

Seu produto é oferecido com uma garantia limitada e está em conformidade com FCC. Para obter mais informações, consulte o Guia do Usuário on-line, localizado em seu disco rígido.



Information to User:

The user that changes or performs modifications not expressly approved by the party responsible for compliance could void the user's authority to operation the equipment.

Note: This equipment has been tested and found to comply with the limits for a Class B digital device, pursuant to part 15 of the FCC Rules. These limits are designed to provide reasonable protection against harmful interference in a residential installation. This equipment generates, uses and can radiate radio frequency energy and, if not installed and used in accordance with the instructions, may cause harmful interference to radio communications. However, there is no guarantee that interference will not occur in a particular installation. If this equipment does cause harmful interference to radio or television reception, which can be determined by turning the equipment off and on, the user is encouraged to try to correct the interference by one or more of the following measures:

- Reorient or relocate the receiving antenna
- Increase the separation between the equipment and receiver
- Connect the equipment into an outlet on circuit different from that to which the receiver is connected
- Consult the dealer or an experienced radio/TV technician for help

Caution:

the user that changes or modifications not expressly approved by the party responsible for compliance could void the user's authority to operate the equipment.