

## About the Receiver

This section describes the special and standard functions available for your receiver. A receiver may be supplied with your computer (built-in), based on the computer model purchased. See your computer's specifications sheet for details on your computer's supplied accessories.

### FCC ID : AQ6-CP239218

Set up your wireless keyboard and insert the batteries before attempting to establish communication between the keyboard and the receiver.

#### Receiver



1

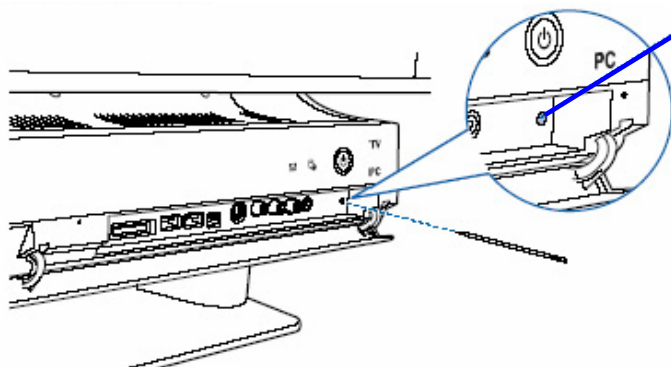
1

**CONNECTOR**  
To be connected with the main board in PC via USB interface

#### Receiver (inside shield)



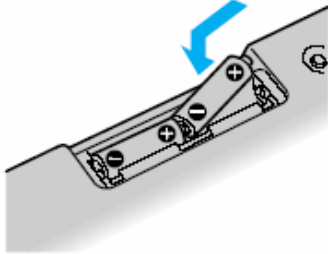
2



2

**CONNECT button :**  
To be placed on center of the PC.  
Press to enable the receiver to communicate with the

*Inserting batteries into the wireless keyboard*



🔧 If your wireless keyboard does not operate properly, the batteries may need to be replaced. When your wireless keyboard is not being used for extended periods of time, remove the batteries to avoid possible damage from battery leakage.

To maintain good communication, operate the wireless keyboard within the distance limitation of keyboard: approximately 32 feet (approximately 10 m) from the receiver.

Confirm that the supplied AA batteries are properly installed in keyboard.

Press the CONNECT button of the receiver (located on the left of the computer) first, and then press the CONNECT button on the bottom of the keyboard.

Avoid using radio-controlled toys or equipment, CB radios, and other wireless devices in the area near the wireless keyboard. These devices may cause interference, causing the keyboard to stop working properly.

Do not place metal furniture near the receiver or wireless keyboard, as this may create interference, causing the keyboard to stop working properly.

Do not mix old (used) and new batteries when replacing batteries in the wireless keyboard. Always use the same type and manufacture of battery.

Do not mix alkaline with manganese batteries. Using incompatible batteries or mixing used, new or different types of batteries can damage the keyboard.

### **To connect the receiver and the wireless keyboard**

1. Insert the supplied two AA batteries (1) into the battery compartment on the bottom of the wireless keyboard.
2. Turn on the computer.
3. Press the CONNECT button (3) on the center of the computer (receiver).
4. Press the CONNECT button (4) on the bottom of the keyboard.

Communication between the wireless keyboard and the computer should now be established.

Steps 3 and 4 must be completed within 10 seconds of each other.

## FCC Information

---

**Model No.: CP239218 (wireless receiver)**

These devices comply with Part 15 of the FCC Rules. Operation is subject to the following two conditions:

- (1) This device may not cause harmful interference, and
  - (2) this device must accept any interference received, including interference that may cause undesired operation of the device.
- 

This equipment has been tested and found to comply with the limits for a Class B digital device, pursuant to Part 15 of the FCC Rules. These limits are designed to provide reasonable protection against harmful interference in a residential installation. This equipment generates, uses, and can radiate radio frequency energy and, if not installed and used in accordance with the instructions, may cause harmful interference to radio communications. However, there is no guarantee that interference will not occur in a particular installation. If this equipment does cause harmful interference to radio or television reception, which can be determined by turning the equipment off and on, the user is encouraged to try to correct the interference by one or more of the following measures:

- Reorient or relocate the receiving antenna.
- Increase the separation between the equipment and the receiver.
- Connect the equipment into an outlet on a circuit different from that to which the receiver is connected.
- Consult the dealer or an experienced radio/TV technician for help.

## Safety Information and Caution

Your computer's installed optical drives may vary, depending on the system configuration you have purchased. See the online specifications sheet for details on your installed optical drives. For questions regarding your product or for the Fujitsu Service Center nearest you, visit the Fujitsu online support Web site at <http://azby.fimworld.net/support/>.

### For customers in the United States:

This product contains mercury. Disposal of this product may be regulated if sold in the United States. For disposal or recycling information, please contact your local authorities or the Electronics Industries Alliance at <http://www.eiae.org>.

### Receiver Properties: CP239218

---

Carrier frequency	2,402 - 2,479MHz
Output power	Less than 0.27 mW

---

**Non-Modification statement:** Changes or modifications not expressly approved by the party responsible for compliance could void the user's authority to operate the equipment.

This equipment complies with FCC radiation exposure limits set forth for an uncontrolled environment.