

## About the Keyboard

This section describes the special and standard functions available for your keyboard. A wireless keyboard may be supplied with your computer, based on the computer model purchased. See your computer's specifications sheet for details on your computer's supplied accessories.

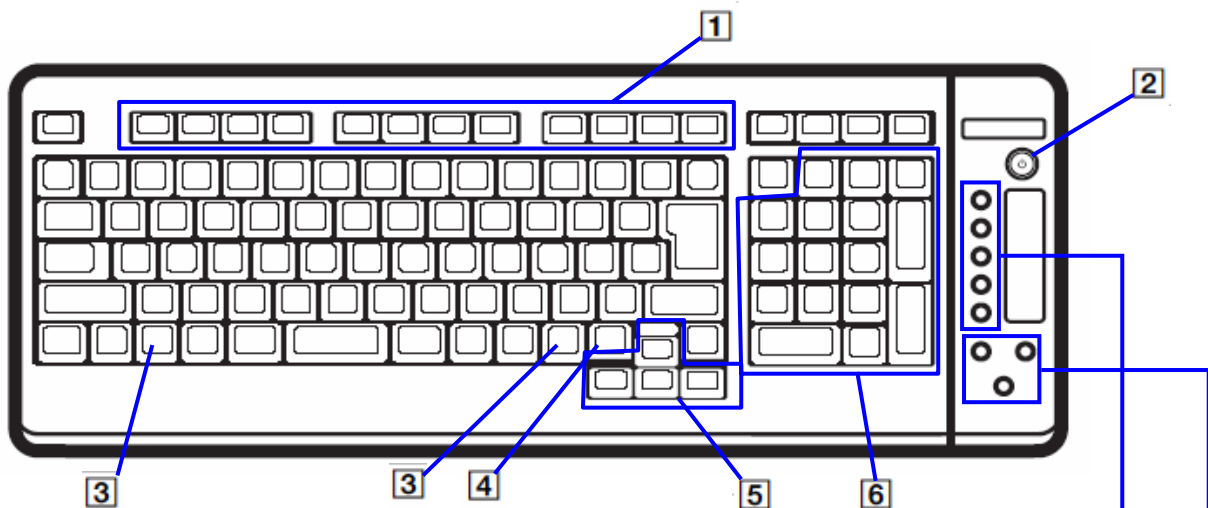
### FCC ID : AQ6-CP267789

Set up your wireless keyboard and insert the batteries before attempting to establish communication between the keyboard and the computer. For instructions, see the section, "Connecting a Wireless Keyboard."

### Identifying keys and functions

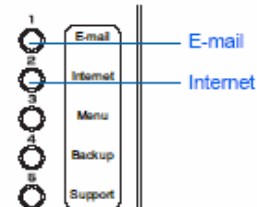
Your keyboard uses a standard key arrangement with additional keys that perform specific functions.

#### Wireless keyboard



- 1** Function keys  
Perform certain tasks. The task associated with each function key varies among software applications.
- 2** POWER switch  
Press the POWER switch to turn on the PC.
- 3** Windows key  
Displays the **Start** menu.
- 4** Applications key  
Displays a shortcut menu in certain software applications.
- 5** Direction arrows  
Move the pointer on the computer screen.
- 6** Numeric keypad  
Use the numeric keypad to type numbers or to perform basic math calculations.

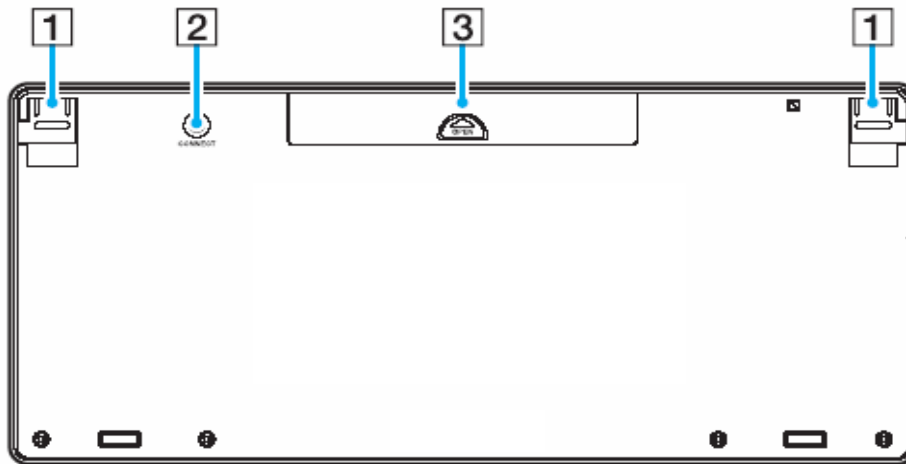
#### **7** Application button



#### **8** Volume controls



## Wireless keyboard (bottom)

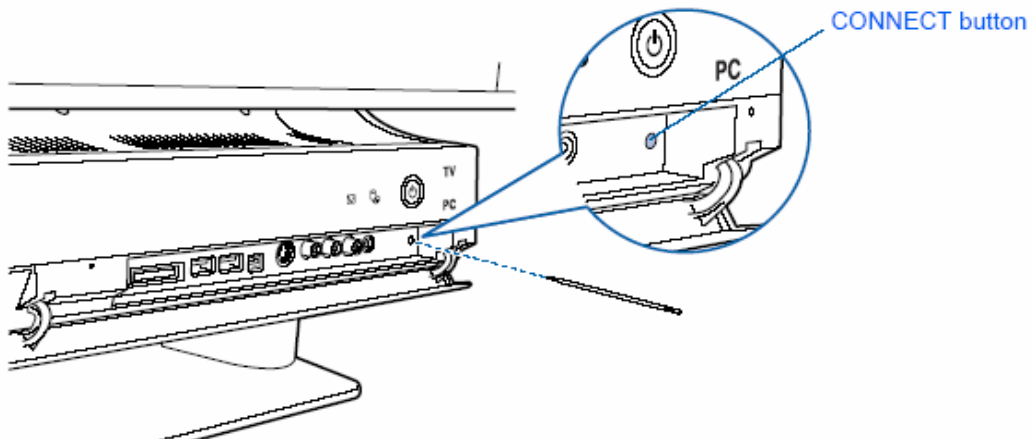


- 1** Keyboard feet  
Extend to adjust the keyboard height.
- 2** **CONNECT** button  
Press to enable the keyboard to communicate with the main unit.
- 3** Battery compartment  
Storage compartment for the AA batteries.

## Setting the wireless keyboard ID

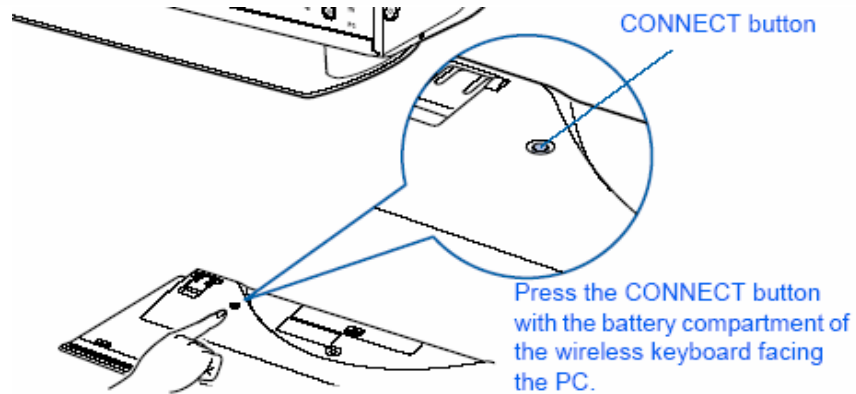
- 1** **Press the **CONNECT** button on the front of the PC once.**  
Insert a cylindrical object that does not conduct electricity (e.g., a toothpick) straight into the button.

■ Front-view of PC



- 2 Press the **CONNECT** button at the back of the keyboard once. If it is difficult to press the button with your finger, press the center of the button using the tip of a pen, etc.**

Press the button within about ten seconds of pressing the **CONNECT** button on the PC. The ID will automatically be set.

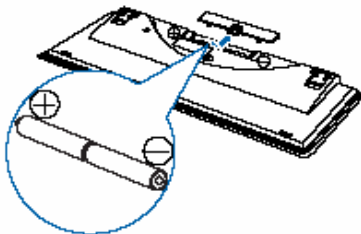


## Setting the keyboard

- 1 Open the battery compartment lids of the wireless keyboard and insert the supplied batteries.**

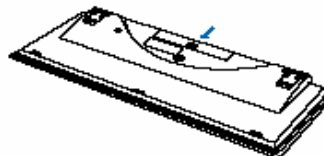
Turn the keyboard upside down and open the battery compartment lid.

### ■ Wireless keyboard



- 2 Close the battery compartment lids.**

### ■ Wireless keyboard



To maintain good communication, operate the wireless keyboard within the distance limitation of keyboard: approximately 32 feet (approximately 10 m) from the computer.

Confirm that the supplied AA batteries are properly installed.

Press the **CONNECT** button located on the left of the computer first, and then press the **CONNECT** button on the bottom of the keyboard.

Avoid using radio-controlled toys or equipment, CB radios, and other wireless devices in the area near the wireless keyboard. These devices may cause interference, causing the keyboard to stop working properly.

Do not place metal furniture near the computer or wireless keyboard, as this may create interference, causing the keyboard to stop working properly.

Do not mix old (used) and new batteries when replacing batteries in the wireless keyboard. Always use the same type and manufacture of battery.

Do not mix alkaline with manganese batteries. Using incompatible batteries or mixing used, new or different types of batteries can damage the keyboard.

## ***Safety Information and Caution***

Your computer's installed optical drives may vary, depending on the system configuration you have purchased. See the online specifications sheet for details on your installed optical drives. For questions regarding your product or for the Sony Service Center nearest you, visit the Sony Online Support Web site at <http://azby.fmworld.net/support/>.

### **For customers in the United States:**

This product contains mercury. Disposal of this product may be regulated if sold in the United States. For disposal or recycling information, please contact your local authorities or the Electronics Industries Alliance at <http://www.eiae.org>.

### **Keyboard Properties: CP267789**

---

Carrier frequency	2,402 - 2,479 GHz
Output power	Less than 0.20 mW

---

## ***FCC information***

---

### **Model No.: CP267789 (wireless keyboards)**

These devices comply with Part 15 of the FCC Rules. Operation is subject to the following two conditions:

- (1) This device may not cause harmful interference, and
  - (2) this device must accept any interference received, including interference that may cause undesired operation of the device.
- 

This equipment has been tested and found to comply with the limits for a Class B digital device, pursuant to Part 15 of the FCC Rules. These limits are designed to provide reasonable protection against harmful interference in a residential installation. This equipment generates, uses, and can radiate radio frequency energy and, if not installed and used in accordance with the instructions, may cause harmful interference to radio communications. However, there is no guarantee that interference will not occur in a particular installation. If this equipment does cause harmful interference to radio or television reception, which can be determined by turning the equipment off and on, the user is encouraged to try to correct the interference by one or more of the following measures:

- Reorient or relocate the receiving antenna.
- Increase the separation between the equipment and the receiver.
- Connect the equipment into an outlet on a circuit different from that to which the receiver is connected.
- Consult the dealer or an experienced radio/TV technician for help.

You are cautioned that any changes or modifications not expressly approved in this manual could void your authority to operate this equipment.

**This equipment complies with FCC radiation exposure limits set forth for an uncontrolled environment.**