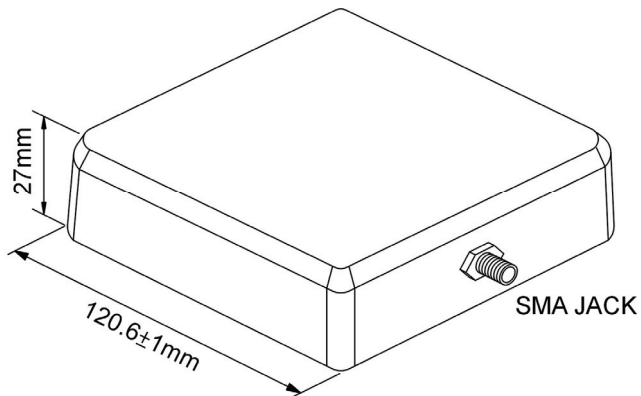


Mechanical Drawing


Unit: mm

Electrical Specification

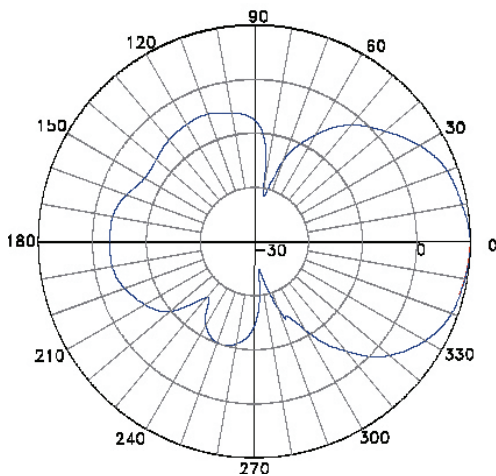
Frequency Range	2.4~2.4835GHz
Impedance	50Ω
V.S.W.R.	≤2.0
Radiation	Directional
Gain	10dBi
Polarization	Linear

Mechanical Specification

Connector Type	RP-SMA Jack (Brass)
Material	ABS / PC
Dimension	120x120x27mm
Accessory Or Other	Wall Mount Accessory
Water Proof	IP65
Weight	272g (est.)

Environmental Specification

Operating Temp	- 20°C ~ + 65°C
Storage Temp	- 30°C ~ + 70°C
Substance	Meets RoHs requirement

E-plane

H-plane
