



nyne

NB-250

EN Bluetooth Speaker Series

ES Altavoz serie Bluetooth

FR Série Haut parleur Bluetooth

EN User Manual 3

ES Manual del usuario 17

FR Manuel utilisateur 31

nyne.com

Contents

1	Important	4
	Safety	4
	Notice	5
2	Introduction	7
	What is Bluetooth technology	7
	Introduction to NB-250	7
	Overview	8
3	Preparation	9
	Unpack	9
	Place the device	9
	Connect power	9
	Turn on the device	9
	Pair with a Bluetooth-enabled device	10
4	Operation	11
	Play music from a Bluetooth connected device	11
	Listen from an auxiliary device	11
	Charge a portable device through the USB socket	12
5	Specifications	13
6	Frequently asked questions (FAQ)	14



1 Important

Safety



The lightning flash with arrowhead symbol within an equilateral triangle is intended to alert the user to the presence of un-isolated, dangerous voltage within the inside of the device that may be of sufficient magnitude to constitute a risk of electric shock to persons.



The exclamation point within an equilateral triangle is intended to alert the user to the presence of important operating and servicing instructions in the literature accompanying the device.

Read these instructions before operation.

Keep these instructions for future reference.

Follow all instructions for installation, use and maintenance of the device.

To avoid tilt or drop, place the device on a flat and hard surface.

To clean the device, disconnect power first. Clean only with soft and dry cloth.

To ensure compatibility, only use accessories recommended by the manufacturer.

When the device is suddenly moved from cold to warm surroundings, condensation may form in the housing of the device. Before use, leave the device in the warm environment until the moisture evaporates.

Keep the device away from heat sources, such as a radiator, heater, oven, amplifier, naked flames or direct sunlight.

Never block any ventilation openings.

- Do not expose the device to sand or dust, or cover it with items, such as newspapers, table cloths, or curtains.
- Do not operate the device in an enclosed cabinet. Leave sufficient free space around the device for adequate ventilation.

Keep the device away from moisture. Never expose the device to rain, dripping or splashing. If water penetrates into the device, unplug the power cord and contact your dealer. Continuous use in this case may result in fire or electric shock.

Make sure that the power supply voltage is within the range indicated on the label on the device or power adapter. If you are not sure of the type of power supply, consult your dealer or local power company.

Do not defeat the safety purpose of the polarized or grounding-type plug. A polarized plug has two blades with one wider than the other. A grounding type plug has two blades and a third grounding prong. The wide blade or the third prong is provided for your safety. If the provided plug does not fit into your outlet, consult an electrician for replacement of the obsolete outlet.

When connected to a power outlet, power is always flowing into the



device. To completely disconnect power, unplug the power cord.

When you unplug the power cord, always hold the plug instead of the cord.

Do not overload power strips and extension cords. Overloading can result in fire or electric shock.

The wall socket should be located near the device and be easily accessible.

Where the mains plug or an appliance coupler is used as the disconnect device, the disconnect device shall remain readily operable.

During lightning storms or when the device is not to be used for a long period of time, always unplug the power cord of the device. Pulling on the power cord can damage the wires inside the cord and may cause fire or electric shock.

Do not attempt to repair or service the device yourself. Opening or removing the cabinet may expose you to electric shock, and other hazards. If repair is required, contact your dealer and refer all servicing to qualified service personnel.

Do not use the device if any abnormality occurs. If any smoke or odor becomes apparent, unplug the power cord and contact your dealer immediately. Do not try to repair the device yourself.

Avoid using dropped or damaged appliances. If the device is dropped and the housing is damaged, the internal components may not function normally. Unplug the power cord immediately and contact your dealer for repair. Continued use of the device may cause fire or electric shock.

Before moving the device, make sure to disconnect the power cord and any other cables first.

To reduce the risk of electric shock, do not touch any connector with wet hands.

Never remove the housing of the device.

Never lubricate any part of the device.

Never place the device on top of any other electrical equipment.

Notice

Modification

Any modification (such as removing the speaker grill) to the device, without prior authorization from the manufacturer, may void your warranty and authority to operate the device.

FCC compliance statement

This equipment has been tested and found to comply with the limits for a Class B digital device, pursuant to part 15 of the FCC Rules. These limits are designed to provide reasonable protection against harmful interference in a residential installation. This equipment generates, uses, and can radiate radio frequency energy and, if not installed and used in accordance with the instruction manual, may cause harmful interference to radio communications. However, there is no guarantee that interference will not occur in a particular installation. If this equipment does cause harmful interference to radio or television reception, which



can be determined by turning the equipment off and on, the user is encouraged to try to correct the interference by one or more of the following measures:

- Relocate the receiving antenna.
- Increase the separation between the equipment and receiver.
- Connect the equipment into an outlet on a circuit different from that to which the receiver is connected.
- Consult the dealer or an experienced radio/TV technician for help.

This device complies with the FCC Rules.

Operation is subject to the following two conditions:

- 1** This device may not cause harmful interference, and
- 2** This device must accept any interference received, including interference that may cause undesired operation.

This device complies with FCC RF radiation exposure limits set forth for an uncontrolled environment.

This device and its antenna(s) must not be co-located or in conjunction with any other antenna or transmitter.

Recycling

Packaging

Observe the local regulations for how to dispose of the packaging materials.

Old product and built-in battery

The old product shall not be treated as household waste. Observe the local regulations, and send the old product and battery to the applicable

collection point for recycling of electrical and electronic products and batteries. Correct disposal of such products helps prevent potentially negative consequences on the environment and human health. For more information, consult your local authority or dealer.

Copyright



The Bluetooth word mark and logos are owned by the Bluetooth SIG, Inc. and any use of such marks by Nyne Multimedia Inc. is under license.



2 Introduction

- Play music from an auxiliary device connected through the supplied 3.5mm audio cable.
- Charge your portable device such as an MP3 player or mobile phone through the USB socket on the back panel.

What is Bluetooth technology

Bluetooth® is a wireless technology that enables wireless data communication over a short range between digital devices. In general, Bluetooth-enabled devices connect wirelessly with each other within a range of 32 feet (10m).

In order for two Bluetooth-enabled devices to work together wirelessly to perform a certain function, both devices should be compatible with the same Bluetooth profile that supports this function.

Introduction to NB-250

Thank you for purchasing our product.

This is a Bluetooth wireless speaker system that supports Bluetooth version 2.1.

This device is compatible with the following Bluetooth profiles:

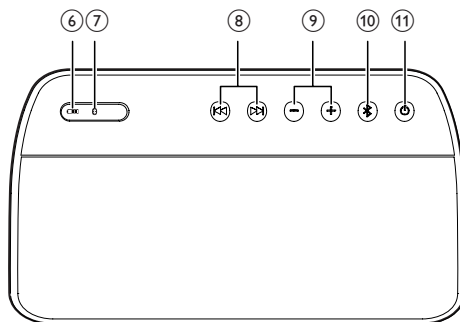
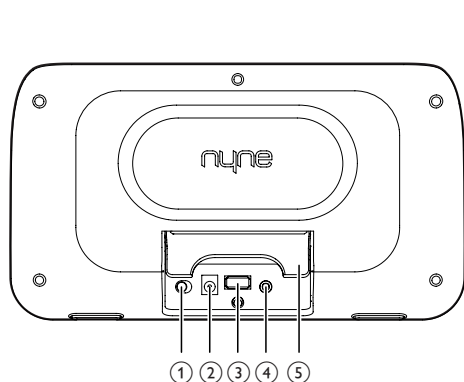
A2DP - Advanced Audio Distribution Profile

AVRCP - Audio/Video Remote Control Profile

With this device, you can:

- Play music from a Bluetooth-enabled mobile phone or audio source that is compatible with A2DP, such as an iPod/iPhone/iPad, Android smartphone, PC, or Mac.

Overview



① OFF / ON

- Turn on or off power supply to the device.

② DC power socket

- Connect the power adapter.

③ 5V OUT

- Charge a portable device through a USB charging cable (not supplied).

④ AUX IN

- Connect an auxiliary device.

⑤ Stand

- Extend to support the device.

⑥ indicator

- Indicate the recharge status of the built-in battery.

⑦ indicator

- Indicate the Bluetooth pairing status.

⑧

- In Bluetooth mode, press to skip to the previous or next song.

⑨

- Turn down/up volume.

⑩ button

- During play in Bluetooth mode, press to pause or resume music play.
- Press and hold to remove the existing pairing information.

⑪

- In standby mode, press to turn on the device.
- In power-on mode, press and hold to switch to standby mode.
- During music play, press to mute or resume sound output.



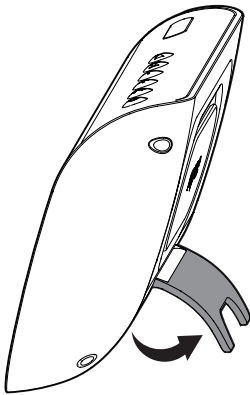
3 Preparation

Unpack

Unpack and identify the items of your package:

- 1 x Bluetooth wireless speaker
- 1 x power adapter
- 1 x 3.5mm audio cable
- 1 x carrying case
- 1 x User Manual
- 1 x Quick User Guide
- 1 x warranty card

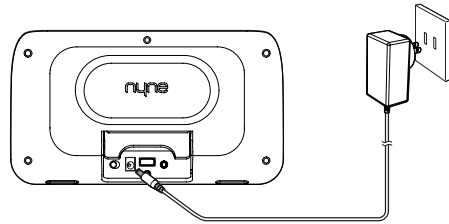
Place the device



- 1 Extend the stand on the back panel.
- 2 Place the device on a flat and hard surface with the support of the stand.

Connect power

With a built-in battery, this device allows you to enjoy music or charge your portable devices on the go. Before use outdoors, make sure that the built-in battery is fully recharged.



Connect the supplied power adapter:

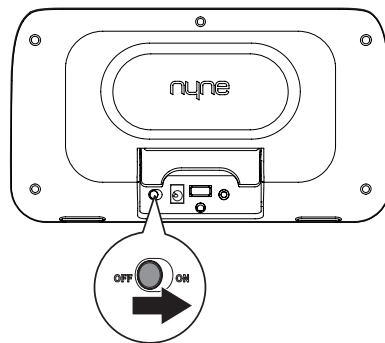
- round connector to the DC power socket on the back panel
- power plug to the wall socket






Tip:

- To recharge the built-in battery, you need to turn on the device. See the section below for details.

Turn on the device





- 1 Slide the power switch on the back panel to the **ON** position.
- 2 Press  on the top panel.
 - ☞ The  indicator lights up white in recharging mode, and turns red when the built-in battery is fully recharged.
 - ☞ The  indicator flashes white and the device enters Bluetooth pairing mode automatically.

To switch the device to standby mode:

Press and hold .

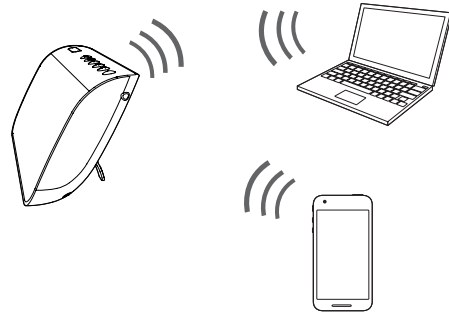
- ☞ Both the  and  indicators turn off.

To turn off power supply to the device:

Slide the power switch on the back panel to the **OFF** position.

on your paired device to set up wireless connection again.

- Make sure that NB-250 and the device to be paired are located within the detectable range (32 feet or 10m).




Pair with a Bluetooth-enabled device

Before using the Bluetooth feature of NB-250 for the first time, you need to pair NB-250 with another Bluetooth-enabled device, such as an iPod/iPhone/iPad, Android smartphone, PC, or Mac. After successful pairing, each time when the paired device (Bluetooth-enabled) and NB-250 are powered on and within the detectable range (32 feet or 10m), they will be wirelessly connected to each other automatically.





Notes:

- If your paired device fails to connect with NB-250 after activation, you may need to select the device name of NB-250 from the list of Bluetooth equipment

- 1 Enable the Bluetooth function on your device to be paired with NB-250.
 - ☞ The device to be paired with NB-250 enters Bluetooth searching mode.
 - ☞ After a while, "NYNE NB-250" is displayed in the list of Bluetooth equipment on the device to be paired with NB-250.
- 2 Select "NYNE NB-250" on the device to be paired with NB-250 to start pairing (if required, enter the password "0000").
 - ☞ After successful pairing, the  indicator on the top of NB-250 turns white steadily and the speaker beeps.



Tip:

- You can press and hold the  button on the top of NB-250 to remove the existing pairing information. In this case, the  indicator starts to flash white again and the speaker returns to Bluetooth pairing mode.



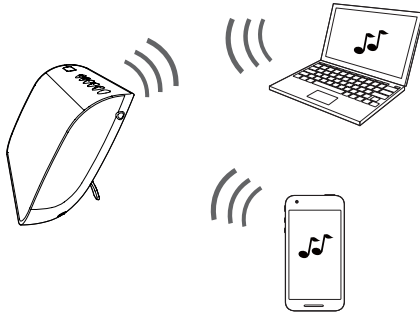
4 Operation

Play music from a Bluetooth connected device



Note:

- Make sure that wireless connection has been set up between the paired device and NB-250.



Start music play on your device paired and connected with NB-250.

You can hear music streamed to the Bluetooth wireless speaker.

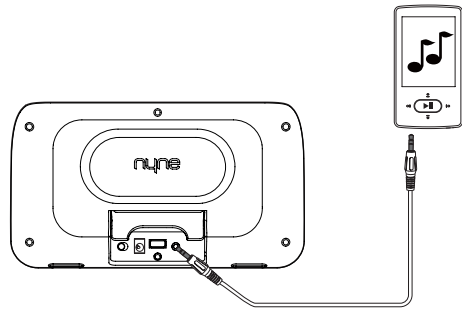
During music play, you can:

- Press **⏮** / **⏭** on the top panel to skip to the previous/next song.
- Press **⏸** on the top panel to pause or resume music play.
- Press **-** / **+** on the top panel to adjust volume.
- Press **⏻** on the top panel to mute or resume sound output.

Listen from an auxiliary device

Through this speaker system, you also can listen to music from any auxiliary device with a 3.5mm headphone socket, such as a PC or an MP3 player.

- 1 Connect the supplied 3.5mm audio cable.
 - one end to the **AUX IN** socket on the back panel
 - the other end to the 3.5mm headphone socket on an auxiliary device



- 2 Start music play on the auxiliary device.

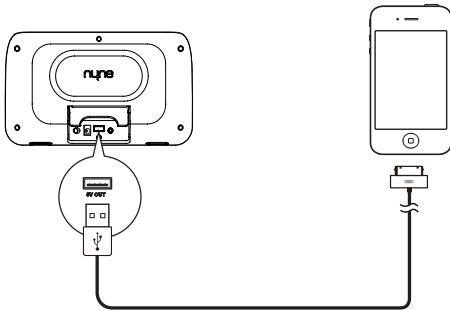
During music play, you can:

- Press **-** / **+** on the top panel to adjust volume.
- Press **⏻** on the top panel to mute or resume sound output.



Charge a portable device through the USB socket

You can charge your portable devices, such as your mobile phone or MP3 player through the USB socket on the back panel.



Connect a USB charging cable (not supplied):

- one end to the USB socket on your portable device
- the other end to the USB socket on the speaker

5 Specifications

The technical specifications are subject to change without prior notice.

AC power	Input: 100-240V~50-60Hz 0.8A; Output: 15V 1500mA; Manufacturer: nyne; Model: ASSA19A-150150
Output power	2 x 7W
Speaker drivers	2 x 3" full range
S/N	≥75dB
THD+N	≤1% (1kHz, rated power output)
Dimension	(W x H x D) 260 x 147 x 54 (mm)
Weight	1.014kg (net); 1.650kg (gross)
Audio input	1 x 3.5mm socket; 1 x wireless input (Bluetooth)
Wireless	Bluetooth 3.0



nyne

All registered and unregistered trademarks are
property of their respective owners.

Nyne Multimedia Inc.

All rights reserved.