

INSTALLER: LEAVE THIS MANUAL WITH THE APPLIANCE.  
CONSUMER: RETAIN THIS MANUAL FOR FUTURE REFERENCE.



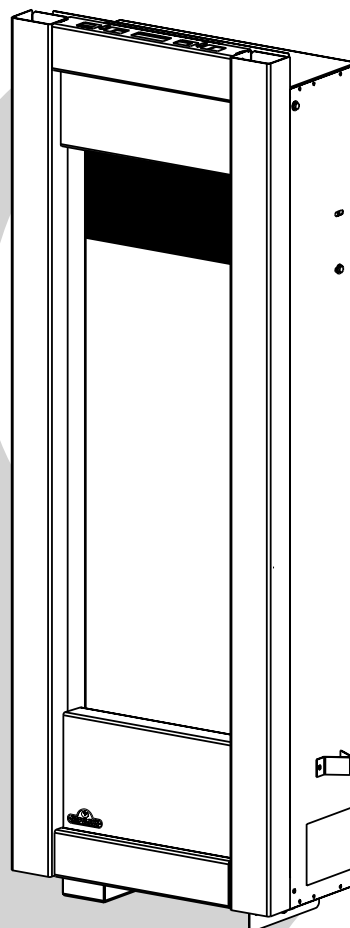
# INSTALLATION AND OPERATION INSTRUCTIONS

CERTIFIED UNDER CANADIAN AND AMERICAN NATIONAL STANDARDS: CSA 2.22, ANSI Z21.50 FOR VENTED GAS FIREPLACE.

# TORCH™

GT8N  
NATURAL GAS

GT8P  
PROPANE



Certified for Canadian and United States using ANSI/CSA Methods.

## SAFETY INFORMATION

### ⚠ WARNING

If the information in these instructions are not followed exactly, a fire or explosion may result causing property damage, personal injury or loss of life.

- Do not store or use gasoline or other flammable vapors and liquids in the vicinity of this or any other appliance.

- WHAT TO DO IF YOU SMELL GAS:

- Do not try to light any appliance.
- Do not touch any electrical switch; do not use any phone in your building.
- Immediately call your gas supplier from a neighbour's phone. Follow the gas supplier's instructions.
- If you cannot reach your gas supplier, call the fire department.

- Installation and service must be performed by a qualified installer, service agency or the supplier.



APPLY SERIAL NUMBER LABEL FROM CARTON



Serial No.    X X X X X 0 0 0 0 0 0  
MODEL NO.   

Wolf Steel Ltd., 24 Napoleon Rd., Barrie, ON L4M 4Y8 Canada • (705)721-1212 • fax(705)722-6031  
www.napoleonfireplaces.com • ask@napoleon.on.ca

# TABLE of CONTENTS

<b>PG 2-5</b>	<b>INTRODUCTION</b> Warranty General Instructions General Information Care of Glass and Plated Parts Dimensions	<b>15-17</b>	<b>FINISHING</b> Door Removal Glass Removal Frame/Front Installation Accent Glass Installation LK8 Light Installation (Optional)
<b>5-10</b>	<b>VENTING</b> Venting Lengths and Air Terminal Locations Vent Installations Typical Vent Installations - Horizontal Termination Typical Vent Installations - Vertical Termination Minimum Air Terminal Location Clearances Venting Application Flow Chart	<b>18</b>	<b>OPERATING INSTRUCTIONS</b>
<b>10-15</b>	<b>INSTALLATION/FRAMING</b> Wall and Ceiling Protection Vertical Installation Using Flexible Vent Components Horizontal Air Terminal Installation Vertical Air Terminal Installation Fireplace Vent Connection Mobile Home Installation Gas Installation Electrical Connection Stand-off Assembly Nailing Tab Installation Framing Clearance to Combustibles	<b>19</b> <b>19</b>	<b>MAINTENANCE</b> <b>ADJUSTMENTS</b> Gas Pressure Adjustment Venturi Adjustment Flame Characteristics
		<b>20</b>	<b>REPLACEMENTS</b> Replacement Parts Flexible Vent Kits Terminal Kits Accessories

**This appliance may be installed as an OEM installation in a manufactured home (USA only) or mobile home and must be installed in accordance with the manufacturers instructions and the Manufactured Home Construction and Safety Standard, Title 24 CFR, Part 3280 in the United States or in the Mobile Home Standard, CAN/CSA Z240 MH, Series in Canada.**

**This appliance is only for use with the type of gas indicated on the rating plate. This appliance is not convertible for use with other gases, unless a certified kit is used.**

**This appliance may be installed in an aftermarket, permanently located, manufactured home (USA only) or mobile home, where not prohibited by local codes.**

**This appliance is only for use with the type of gas indicated on the rating plate. This appliance is not convertible for use with other gases, unless a certified kit is used.**

## WARNING

- Do not burn wood or other materials in this fireplace.
- Adults and especially children should be alerted to the hazards of high surface temperatures and should stay away to avoid burns or clothing ignition. Supervise young children when they are in the same room as the fireplace.
- Clothing or other flammable material should not be placed on or near the fireplace.
- Due to high temperatures, the fireplace should be located out of traffic and away from furniture and draperies.
- Ensure you have incorporated adequate safety measure to protect infants/toddlers from touching hot surfaces.
- Even after the fireplace is out, the glass and/or screen will remain hot for an extended period of time.
- Check with your local hearth specialty dealer for safety screens and hearth guards to protect children from hot surfaces. These screens and guards must be fastened to the floor.
- Any safety screen or guard removed for servicing must be replaced prior to operating the fireplace.
- It is imperative that the control compartment and burner in the fireplace and venting system are kept clean. The fireplace and its venting system should be inspected before use and at least annually by a qualified service person. More frequent cleaning may be required due to excessive lint from carpeting, bedding material, etc. The fireplace area must be kept clear and free from combustible materials, gasoline and other flammable vapours and liquids.
- Under no circumstances should this fireplace be modified.
- This fireplace must not be connected to a chimney flue pipe serving a separate solid fuel burning appliance.
- Do not use this fireplace if any part has been under water. Immediately call a qualified service technician to inspect the fireplace and to replace any part of the control system and any gas control which has been under water.
- Do not operate the fireplace with the glass door removed, cracked or broken. Replacement of the glass should be done by a licensed or qualified service person.
- Do not strike or slam shut the fireplace glass door.
- The glass door must be kept closed while the fireplace is operating to prevent exhaust fumes containing carbon monoxide, from entering into the home. Temperatures of the exhaust escaping through this opening can also cause the surrounding combustible materials to overheat and catch fire.
- Only doors / optional fronts certified with the unit are to be installed on the appliance.

*NAPOLEON® products are manufactured under the strict Standard of the world recognized  
ISO 9001 : 2000 Quality Assurance Certificate.*

*NAPOLEON® products are designed with superior components and materials, assembled by trained craftsmen who take great pride in their work. The burner and valve assembly are leak and test-fired at a quality test station. The complete fireplace is again thoroughly inspected by a qualified technician before packaging to ensure that you, the customer, receives the quality product that you expect from NAPOLEON®.*

## **NAPOLEON® GAS FIREPLACE PRESIDENT'S LIFETIME LIMITED WARRANTY**

*The following materials and workmanship in your new NAPOLEON® gas fireplace are warranted against defects for as long as you own the fireplace. This covers: combustion chamber, heat exchanger, stainless steel burner, gold plated parts against tarnishing, porcelainized enameled components and aluminum extrusion trims.  
Electrical (110V and millivolt) components and wearable parts such as blowers, gas valves, thermal switch, switches, wiring, remote controls, ignitor, gasketing, and pilot assembly are covered and NAPOLEON® will provide replacement parts free of charge during the first year of the limited warranty.  
Labour related to warranty repair is covered free of charge during the first year. Repair work, however, requires the prior approval of an authorized company official. Labour costs to the account of NAPOLEON® are based on a predetermined rate schedule and any repair work must be done through an authorized NAPOLEON® dealer.*

## **CONDITIONS AND LIMITATIONS**

NAPOLEON® warrants its products against manufacturing defects to the original purchaser only -- i.e., the individual or legal entity (registered customer) whose name appears on the warranty registration card filed with NAPOLEON® -- provided that the purchase was made through an authorized NAPOLEON dealer and is subject to the following conditions and limitations:

This factory warranty is nontransferable and may not be extended whatsoever by any of our representatives.

The gas fireplace must be installed by a licenced, authorized service technician or contractor. Installation must be done in accordance with the installation instructions included with the product and all local and national building and fire codes.

This limited warranty does not cover damages caused by misuse, lack of maintenance, accident, alterations, abuse or neglect and parts installed from other manufacturers will nullify this warranty.

This limited warranty further does not cover any scratches, dents, corrosion or discolouring caused by excessive heat, abrasive and chemical cleaners nor chipping on porcelain enamel parts, mechanical breakage of PHAZER™ logs and embers, nor any venting components used in the installation of the fireplace.

NAPOLEON® warrants its stainless steel burners against defects in workmanship and material for life, subject to the following conditions: During the first 10 years NAPOLEON® will replace or repair the defective parts at our option free of charge. From 10 years to life, NAPOLEON® will provide replacement burners at 50% of the current retail price.

In the first year only, this warranty extends to the repair or replacement of warranted parts which are defective in material or workmanship provided that the product has been operated in accordance with the operation instructions and under normal conditions.

After the first year, with respect to this President's Limited Lifetime Warranty, NAPOLEON® may, at its discretion, fully discharge all obligations with respect to this warranty by refunding to the original warranted purchaser the wholesale price of any warranted but defective part(s).

After the first year, NAPOLEON® will not be responsible for installation, labour or any other costs or expenses related to the reinstallation of a warranted part, and such expenses are not covered by this warranty.

Notwithstanding any provisions contained in this President's Limited Lifetime Warranty, NAPOLEON'S responsibility under this warranty is defined as above and it shall not in any event extend to any incidental, consequential or indirect damages.

This warranty defines the obligations and liability of NAPOLEON® with respect to the NAPOLEON® gas fireplace and any other warranties expressed or implied with respect to this product its components or accessories are excluded.

NAPOLEON® neither assumes, nor authorizes any third party to assume, on its behalf, any other liabilities with respect to the sale of this product. NAPOLEON® will not be responsible for: over-firing, downdrafts, spillage caused by environmental conditions such as rooftops, buildings, nearby trees, hills, mountains, inadequate vents or ventilation, excessive venting configurations, insufficient makeup air, or negative air pressures which may or may not be caused by mechanical systems such as exhaust fans, furnaces, clothes dryers, etc.

Any damages to fireplace, combustion chamber, heat exchanger, brass trim or other component due to water, weather damage, long periods of dampness, condensation, damaging chemicals or cleaners will not be the responsibility of NAPOLEON®.

The bill of sale or copy will be required together with a serial number and a model number when making any warranty claims from your authorized dealer. The warranty registration card must be returned within fourteen days to register the warranty.

NAPOLEON® reserves the right to have its representative inspect any product or part thereof prior to honouring any warranty claim.

## GENERAL INSTRUCTIONS

**THIS GAS FIREPLACE SHOULD BE INSTALLED AND SERVICED BY A QUALIFIED INSTALLER** to conform with local codes. Installation practices vary from region to region and it is important to know the specifics that apply to your area, for example: in Massachusetts State:

- The fireplace damper must be removed or welded in the open position prior to installation of a fireplace insert or gas log.
- A carbon monoxide detector is required in all rooms containing gas fired appliances.
- The appliance off valve must be a "T" handle gas cock.
- The flexible connector must not be longer than 36 inches.
- The appliance is not approved for installation in a bedroom or bathroom unless the unit is a direct vent sealed combustion product.
- WARNING: This product must be installed by a licensed plumber or gas fitter when installed in the Commonwealth of Massachusetts.

In absence of local codes, install to the current CAN/CGA -B149 Installation Code in Canada or to the National Fuel Gas Code, ANSI Z223.1, and NFPA 54 in the United States. Suitable for mobile home installation if installed in accordance with the current standard CAN/CSA Z240MH Series, for gas equipped mobile homes, in Canada or ANSI Z223.1 and NFPA 54 in the United States.

The fireplace and its individual shutoff valve must be disconnected from the gas supply piping system during any pressure testing of that system at test pressures in excess of 1/2 psig (3.5 kPa). The fireplace must be isolated from the gas supply piping system by closing its individual manual shutoff valve during any pressure testing of the gas supply piping system at test pressures equal to or less than 1/2 psig (3.5 kPa).

When the fireplace is installed directly on carpeting, vinyl tile or other combustible material other than wood flooring, the fireplace shall be installed on a metal or wood panel extending the full width and depth.



We suggest that our gas hearth products be installed and serviced by professionals who are certified in the U.S. by the National Fireplace Institute® (NFI) as NFI Gas Specialists.

## GENERAL INFORMATION

**FOR YOUR SATISFACTION, THIS FIREPLACE HAS BEEN TEST-FIRED TO ASSURE ITS OPERATION AND QUALITY!**

### RATES AND EFFICIENCIES

	NATURAL GAS	PROPANE GAS
Altitude	0 - 4,500*	0 - 4,500*
Maximum Input	6,000	6,000
Maximum Output	4,680	4,680
Efficiency	78%	78%
Minimum Inlet Gas Supply Pressure	4.5" Water Column	11" Water Column
Maximum Inlet Gas Supply Pressure	7" Water Column	13" Water Column
Manifold Pressure Under Flow Conditions	3.5" Water Column	10" Water Column

**\* When the fireplace is installed at elevations above 4,500ft, and in the absence of specific recommendations from the local authority having jurisdiction, the certified high altitude input rating shall be reduced at the rate of 4% for each additional 1,000ft.**

This fireplace is approved for bathroom, bedroom and bed-sitting room installations and is suitable for mobile home installation.

The natural gas model can only be installed in a mobile home that is permanently positioned on its site and fueled with natural gas.

***This fireplace may be installed in an aftermarket permanently located, manufactured (mobile) home, where not prohibited by local codes.***

***This fireplace is only for use with the type of gas indicated on the rating plate. This fireplace is not convertible for use with other gases, unless a certified kit is used.***

***Expansion / contraction noises during heating up and cooling down cycles are normal and are to be expected.***

***Purge all gas lines with the glass door of the fireplace open. Assure that a continuous gas flow is at the burner before closing the door.***

***Objects placed in front of the fireplace must be kept a minimum of 48" from the front face of the unit.***

**Use only Napoleon® accessories designed for and listed with the model.**

## CARE OF GLASS AND PLATED PARTS

The glass is 3/16" ceramic glass, available from your Napoleon® / Wolf Steel Ltd. dealer. Clean the glass after the first 10 hours of operation with a recommended gas fireplace glass cleaner. Thereafter clean as required. **DO NOT CLEAN GLASS WHEN HOT!** Do not use abrasive cleaners to clean plated parts. Buff lightly with a clean dry cloth. If the glass is not kept clean permanent discoloration and / or blemishes may result.

### ⚠ WARNING

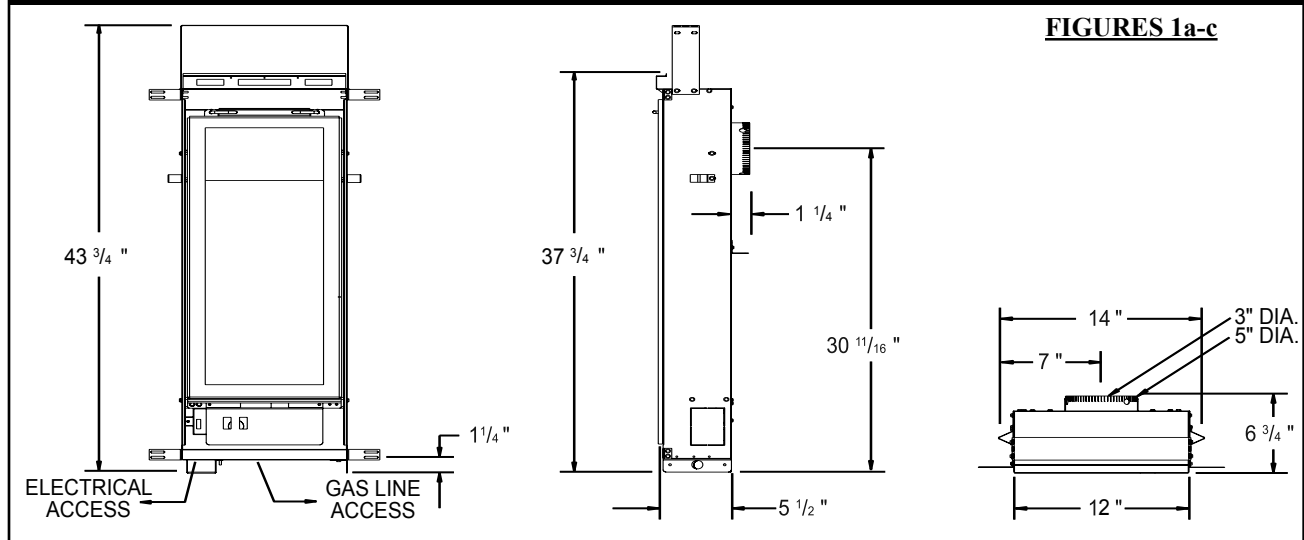
Do not substitute materials. Use care when handling glass components do not stike, or slam shut. Do not operate with broken glass.

### ⚠ WARNING



**HOT GLASS WILL CAUSE BURNS.**  
**DO NOT TOUCH GLASS UNTIL COOLED.**  
**NEVER ALLOW CHILDREN TO TOUCH GLASS.**

## DIMENSIONS



## VENTING

### VENTING LENGTHS AND AIR TERMINAL LOCATIONS

The vent connection to the fireplace can be viewed by removing the baffle from the top, inside of the firebox.

Use only Wolf Steel venting components. Minimum and maximum vent lengths, for both horizontal and vertical installations, and air terminal locations for either system are set out in this manual and must be adhered to. **Use only Wolf Steel Ltd. flexible vent components with the Wolf Steel Ltd. GD179 termination kit.** This fireplace uses a 3" exhaust and a 5" instake diameter coaxial vent system.

All outer pipe joints of these venting systems must be sealed using Red RTV and/or Mill Pac high temperature sealant (not supplied) hereafter referred to as high temperature sealant W573-0002 (Red RTV) and the high temperature sealant W573-0007 (Mill Pac).

For vent systems that provide seals on the inner exhaust flue, only the outer air intake joints must be sealed using a red high temperature silicone (RTV). This same sealant may be used on both the inner exhaust and outer intake vent pipe joints of all other approved vent systems except for the exhaust vent pipe connection to the fireplace flue collar which must be sealed using the black high temperature sealant Mill Pac.

With flexible venting, in conjunction with the **GD178 wall terminal kit**, use either the 5 foot vent kit **GDT5** or the 10 foot vent kit **GDT10**. These kits allow for extended horizontal venting of the fireplace.

When using approved Wolf Steel venting components, use only the following termination kits: WALL TERMINAL KIT **GD178**, or 1/12 TO 7/12 PITCH ROOF TERMINAL KIT **GDT110**, 8/12 TO 12/12 ROOF TERMINAL KIT **GDT111**, FLAT ROOF TERMINAL KIT **GDT112**.

Rigid and flexible venting systems must not be combined. Wolf Steel and Simpson Dura-Vent venting systems must not be combined.

Venting terminals shall not be recessed into a wall or siding.

For optimum flame appearance and fireplace performance, keep the vent length and number of elbows to a minimum.

The air terminal must remain unobstructed at all times. Examine the air terminal at least once a year to verify that it is unobstructed and undamaged.

Provide adequate ventilation and combustion air. Provide adequate accessibility clearance for servicing and operating the fireplace. Never obstruct the front opening of the fireplace.

## VENT INSTALLATIONS

For safe and proper operation of the fireplace follow the venting instruction exactly.

Deviation from the minimum or the maximum vertical vent length can create difficulty in burner start-up and/or carboning.

Under extreme vent configurations, allow several minutes (5-15) for the flame to stabilize after ignition.

Vent lengths that pass through unheated spaces (attics, garages, crawl spaces) should be insulated with the insulation wrapped in a protective sleeve to minimize condensation.

Provide a means for visually checking the vent connection to the fireplace after the fireplace is installed.

Use firestop spacer (W500-0358) when penetrating interior walls and ceilings.

### HORIZONTAL VENT SECTIONS

***A minimum clearance of 1" at the bottom, sides and top of the vent pipe in all horizontal runs to combustibles is required. Use firestop spacer W500-0358 (supplied).***

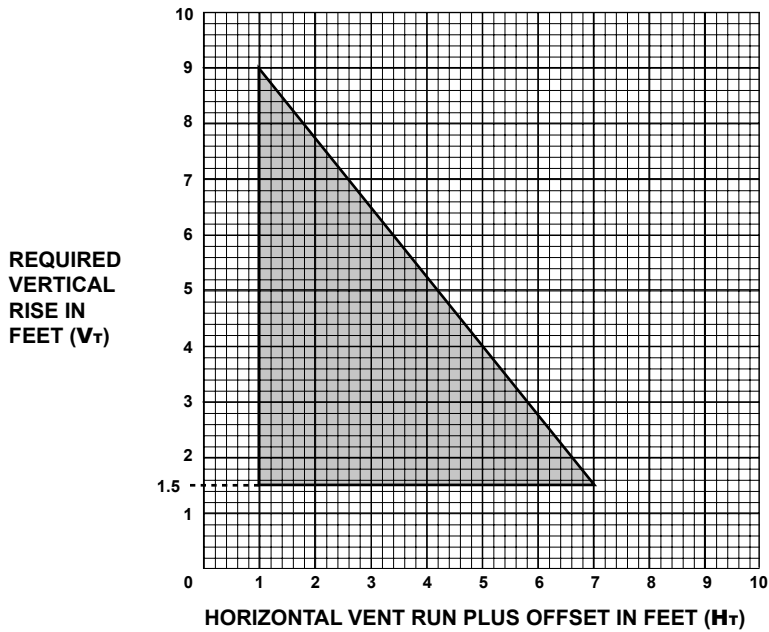
### VERTICAL VENT SECTIONS

***A minimum of 1" all around the vent pipe on all vertical runs to combustibles is required. Use firestop spacer W500-0358 (not supplied).***

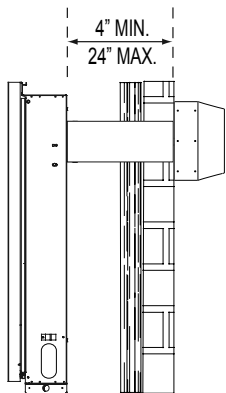
## TYPICAL VENT INSTALLATIONS - HORIZONTAL TERMINATION

	MIN	MAX	FIGURE
Allowable 3" vent connections (excluding fireplace and air terminal connections)	N/A	1	
Rise per foot (recommended)	1/4"	N/A	
Rise per foot (allowable)	0"	N/A	
Horizontal run (If vent run does not include vertical rise)	4"	24"	2a
Horizontal run (if vent run includes vertical rise)	4"	7 FT	2b
Vertical run (* Immediately off the fireplace, if 7 FT maximum horizontal run is required)	18"*	7 FT	2b, 2c

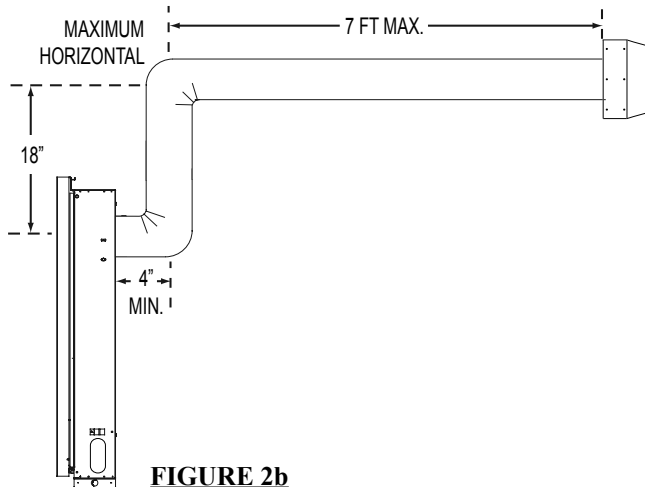
See graph to determine the required vertical rise  $V_r$  for the required horizontal rise  $H_r$ .



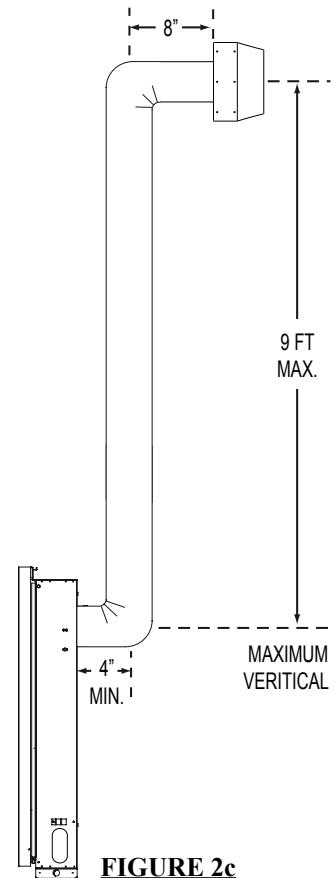
**FIGURE 2a**



**FIGURE 2b**



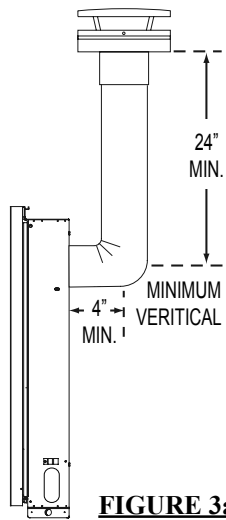
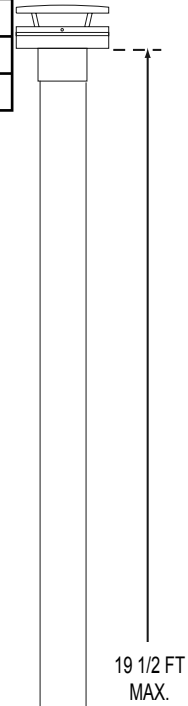
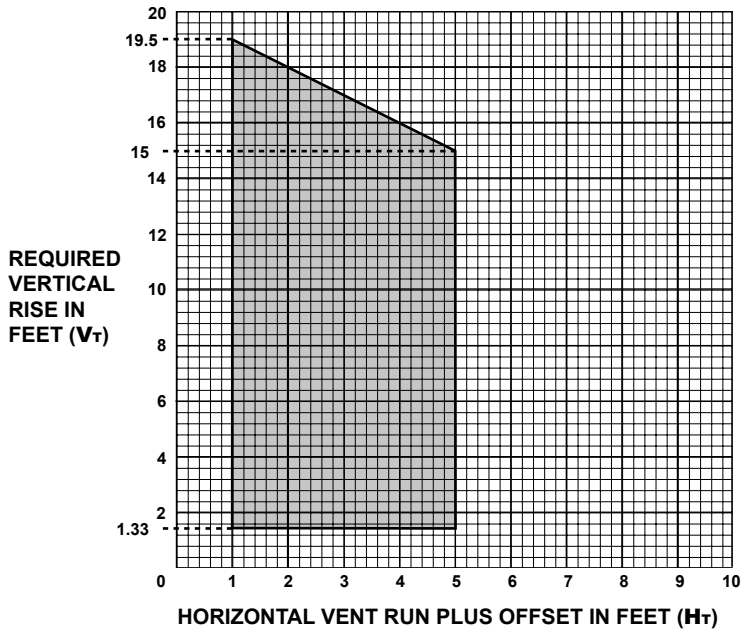
**FIGURE 2c**



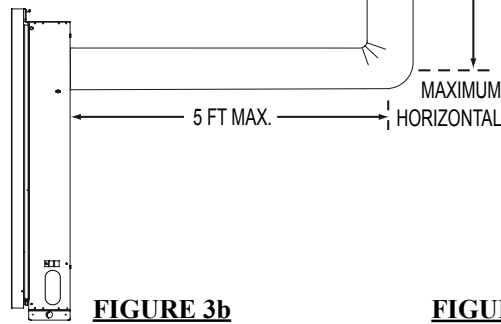
**TYPICAL VENT INSTALLATIONS - VERTICAL TERMINATION**

	MIN	MAX	FIGURE
Allowable 3" vent connections (excluding fireplace and air terminal connections)	N/A	2	
Rise per foot (recommended)	1/4"	N/A	
Rise per foot (allowable)	0"	N/A	
Vertical run (when not venting horizontally)	24"	19 1/2 FT	3a, 3c
Horizontal run	4"	5 FT	3a, 3b, 3c

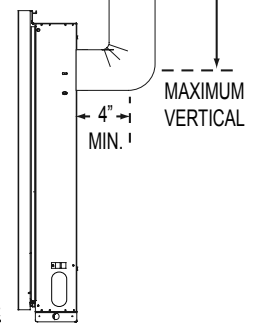
See graph to determine the required vertical rise  $V_r$  for the required horizontal rise  $H_r$ .



**FIGURE 3a**



**FIGURE 3b**

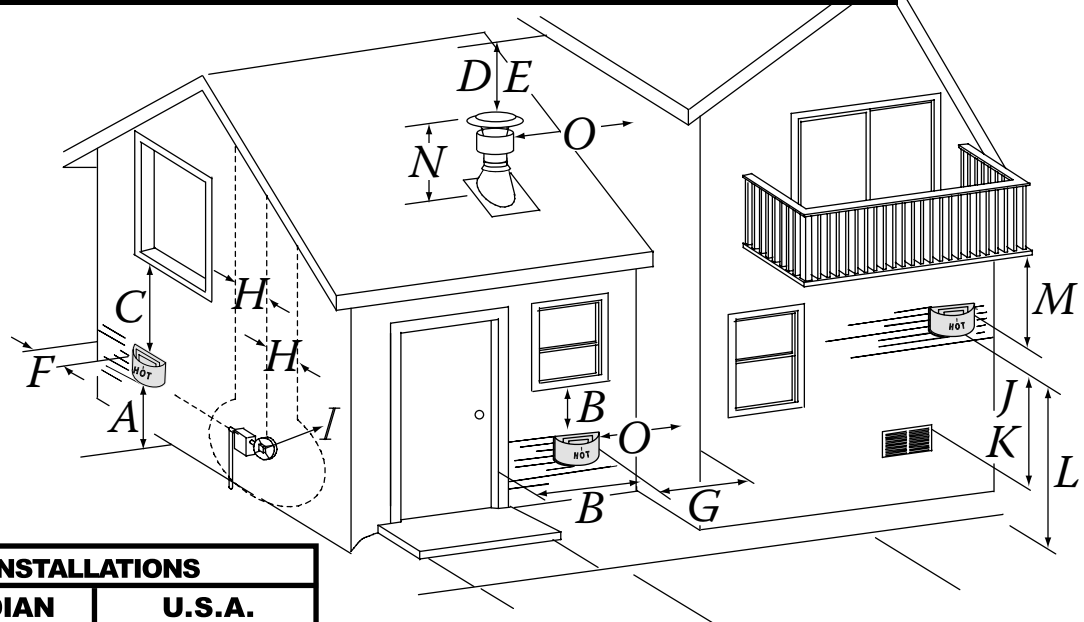


**FIGURE 3c**



# MINIMUM AIR TERMINAL LOCATION CLEARANCES

FIGURE 4



	INSTALLATIONS		
	CANADIAN	U.S.A.	
<b>A</b>	12 INCHES	12 INCHES	Clearance above grade, veranda porch, deck or balcony.
<b>B</b>	12 INCHES	9 INCHES	Clearance to windows or doors that open.
<b>C</b>	12 INCHES*	12 INCHES*	Clearance to permanently closed windows.
<b>D</b>	18 INCHES**	18 INCHES**	Vertical clearance to ventilated soffit located above the terminal within a horizontal distance of 2 feet from the centerline of the terminal.
<b>E</b>	12 INCHES**	12 INCHES**	Clearance to unventilated soffit.
<b>F</b>	0 INCHES	0 INCHES	Clearance to an outside corner wall.
<b>G</b>	0 INCHES	0 INCHES	Clearance to an inside <i>non</i> -combustible corner wall or protruding <i>non</i> -combustible obstructions (chimney, etc.).
	2 INCHES	2 INCHES	Clearance to an inside combustible corner wall or protruding combustible obstructions ( vent chase, etc.).
<b>H</b>	3 FEET	3 FEET****	Clearance to each side of the centerline extended above the meter / regulator assembly to a maximum vertical distance of 15ft.
<b>I</b>	3 FEET	3 FEET****	Clearance to a service regulator vent outlet.
<b>J</b>	12 INCHES	9 INCHES	Clearance to a non-mechanical air supply inlet to the building or a combustion air inlet to any other appliance.
<b>K</b>	6 FEET	3 FEET†	Clearance to a mechanical air supply inlet.
<b>L</b>	7 FEET‡	7 FEET****	Clearance above a paved sidewalk or paved driveway located on public property unless fitted with a heat shield kit GD-301.
<b>M</b>	12 INCHES††	12 INCHES****	Clearance under a veranda, porch, deck or balcony.
<b>N</b>	16 INCHES	16 INCHES	Clearance above the roof.
<b>O</b>	2 FEET†*	2 FEET†*	Clearance from an adjacent wall including neighbouring buildings.

\* Recommended to prevent condensation on windows and thermal breakage

\*\* It is recommended to use a heat shield and to maximize the distance to vinyl clad soffits.

\*\*\*\* This is a recommended distance. For additional requirements check local codes.

† Three feet above if within 10 feet horizontally.

‡ A vent shall not terminate directly above a sidewalk or paved driveway that is located between two single family dwellings and serves both dwellings.

†† Permitted only if the veranda, porch, or deck is fully open on a minimum of two sides beneath the floor.

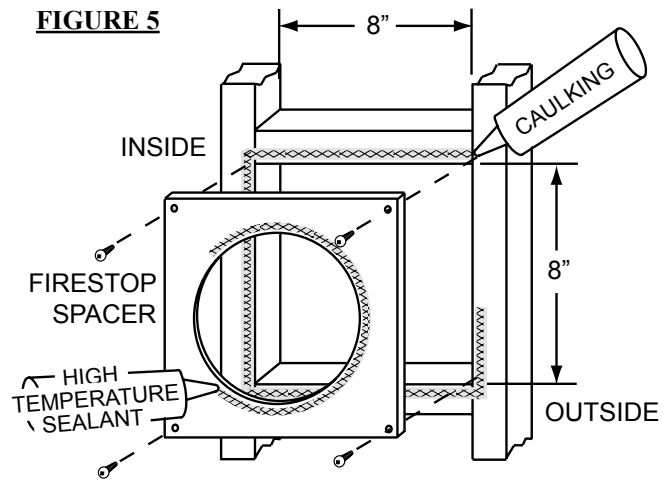
†\* Recommended to prevent recirculation of exhaust products. For additional requirements check local codes.

# INSTALLATION / FRAMING

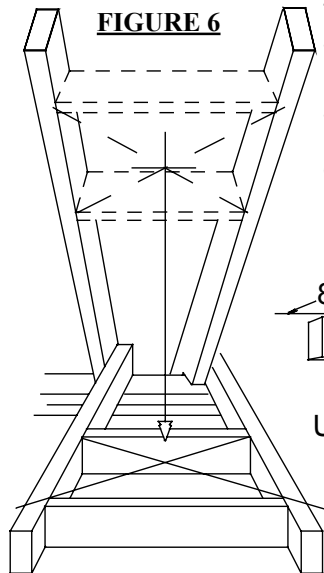
## WALL AND CEILING PROTECTION

This application occurs when venting through an exterior wall. Having determined the air terminal location, cut and frame a hole in an exterior wall with a minimum square opening of 8" wide x 8" high.

1. Apply a bead of caulking all around and place the firestop spacer over the framework to restrict cold air from being drawn into the room or around the fireplace. Ensure that the spacer maintains the required clearance to combustibles. Secure the spacer in place using the 4 longer screws supplied. Once the vent pipe is installed in its final position, apply high temperature sealant (not supplied) between the pipe and the firestop spacer.



## VERTICAL INSTALLATION

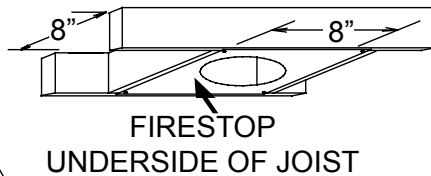


This application occurs when venting through a roof. Installation kits for various roof pitches are available from your Napoleon® dealer. See Accessories to order the specific kit required.

1. Determine the air terminal location, cut and frame a 8" square opening in the ceiling and the roof to provide the minimum clearance between the vent pipe and any combustible material. Try to center the vent pipe location midway between two joists to prevent having to cut them. Use a plumb bob to line up the center of the openings.

**Do not fill this space with any type of material.**

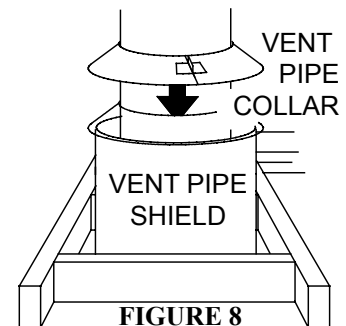
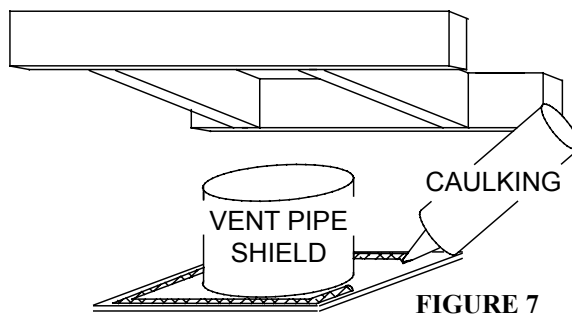
A vent pipe shield will prevent any materials such as insulation, from filling up the 1" air space around the pipe. Nail headers between the joist for extra support.



2. Apply a bead of caulking (not supplied) to the framework or to the Wolf Steel vent pipe shield plate or equivalent (in the case of a finished ceiling), and secure over the opening in the ceiling. A firestop must be placed on the bottom of each framed opening in a roof or ceiling

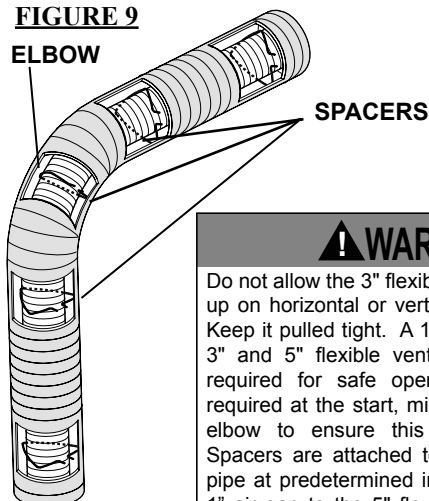
that the venting system passes through. Apply a bead of caulking all around and place a firestop spacer over the vent shield to restrict cold air from being drawn into the room or around the fireplace. Ensure that both spacer and shield maintain the required clearance to combustibles. Once the vent pipe is installed in its final position, apply sealant between the pipe and the firestop assembly.

3. In the attic, slide the vent pipe collar down to cover up the open end of the shield and tighten. This will prevent any materials, such as insulation, from filling up the 1" air space around the pipe.



## USING FLEXIBLE VENT COMPONENTS

**FIGURE 9**



### ! WARNING

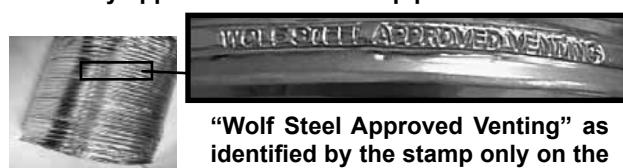
Do not allow the 3" flexible vent pipe to bunch up on horizontal or vertical runs and elbows. Keep it pulled tight. A 1" air gap between the 3" and 5" flexible vent pipes all around is required for safe operation. A spacer is required at the start, middle and end of each elbow to ensure this gap is maintained. Spacers are attached to the 3" flexible vent pipe at predetermined intervals to maintain a 1" air gap to the 5" flexible vent pipe. These spacers must not be removed.

### USE ONLY WOLF STEEL LTD. 3" / 5" FLEXIBLE VENT COMPONENTS.

For safe and proper operation of the fireplace, follow the venting instructions exactly.

All 3" flexible vent pipe and 5" flexible vent pipe joints may be sealed using high temperature sealant W573-0002 (not supplied) or the high temperature sealant W573-0007 Mill Pac (not supplied). However, the high temperature sealant W573-0007 Mill Pac (not supplied) must be used on the joint connecting the 3" flexible vent pipe and the exhaust flue collar.

Use only approved flexible vent pipe kits marked:



"Wolf Steel Approved Venting" as identified by the stamp only on the 5" flexible vent pipe.

Four inches (4") is the minimum bend radius allowed for the 5" flexible vent pipe.

## HORIZONTAL AIR TERMINAL INSTALLATION

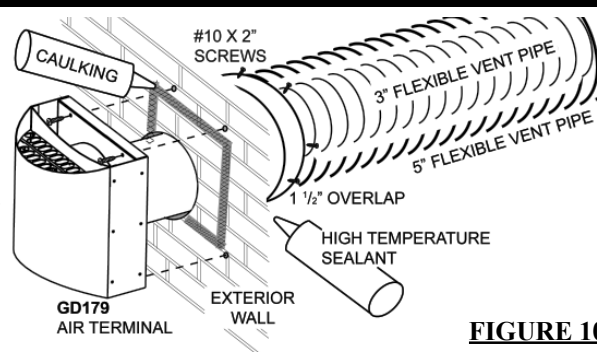
1. Stretch the 3" flexible vent pipe to the required length taking into account the additional length needed for the finished wall surface. Apply a heavy bead of the high temperature sealant W573-0007 (not supplied). Slip the flexible vent pipe a minimum of 2" over the inner sleeve of the air terminal and secure with 3 - #8 screws.

**NOTE:** If using pipe clamps to connect vent components, 3 screws must also be used to ensure the connection cannot slip off.

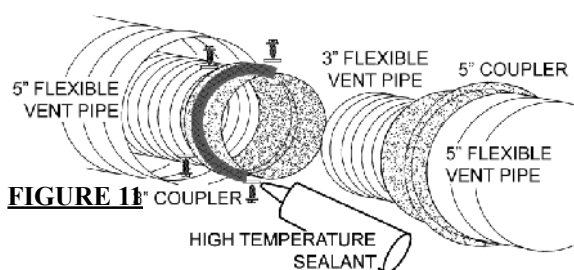
2. Using the 5" flexible vent pipe, slide over the outer combustion air sleeve of the air terminal and secure with 3 - #8 screws. Seal using high temperature sealant W573-0002 (not supplied).

3. Insert the flexible vent pipe through the firestop maintaining the required clearance to combustibles. Secure the terminal to the exterior wall (lettering in an upright, readable position) and make weather tight by sealing with caulking (not supplied).

4. If additional flexible vent pipe is required, couple them together as illustrated. The vent system must be supported approximately every 3 feet for both vertical and horizontal runs. Use non-combustible strapping to maintain the minimum 1" clearance to combustibles from the flexible vent pipe.



**FIGURE 10**



**FIGURE 11**

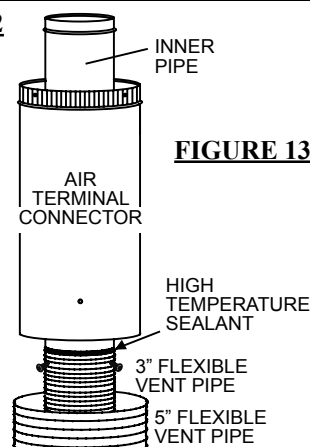
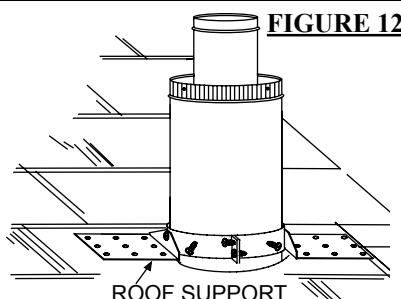
## VERTICAL AIR TERMINAL INSTALLATION

1. Fasten the roof support to the roof using the screws provided. The roof support is optional. In this case the venting is to be adequately supported using either an alternate method suitable to the authority having jurisdiction or the optional roof support. Figure 12.

2. Stretch the 3" flex vent pipe to the required length. Slip the 3" flex vent pipe a minimum of 2" over the inner pipe of the air terminal connector and secure with 3 #8 screws. Seal using a heavy bead of high temperature sealant W573-0007 (not supplied). Figure 13.

**NOTE:** If using pipe clamps to connect vent components, 3 screws must also be used to ensure the connection cannot slip off.

3. Repeat using the 5" flex vent pipe, using a heavy bead of high temperature sealant W573-0002 (not supplied). Figure 13.



4. Thread the air terminal connector / vent pipe assembly down through the roof. The air terminal must be located vertically and plumb. Attach the air terminal connector to the roof support, ensuring that the top of the air terminal is 16" above the highest point that it penetrates the roof. Figure 12. **DO NOT CLAMP THE FLEX VENT PIPE.**

5. Remove nails from the shingles, above and to the sides of the chimney. Place the flashing over the air terminal connector leaving a min. 3/4" of the air terminal connector showing above the top of the flashing. Slide the flashing underneath the sides and upper edge of the shingles. Ensure that the air terminal connector is properly centred within the flashing, giving a 3/4" margin all around. Fasten to the roof. Do not nail through the lower portion of the flashing. Make weather-tight by sealing with caulking. Where possible, cover the sides and top edges of the flashing with roofing material. Figure 14.

6. Aligning the seams of the terminal and air terminal connector, place the terminal over the air terminal connector making sure the vent pipe goes into the hole in the terminal. Secure with the three screws provided. Figure 14.

7. Apply a heavy bead of weatherproof caulking 2" above the flashing. Note: Maintain a minimum 2" space between the air inlet base and the storm collar. Install the storm collar around the air terminal and slide down to the caulking. Tighten to ensure that a weather-tight seal between the air terminal and the collar is achieved. Figure 14.

8. If more vent pipe needs to be used to reach the fireplace, couple them together as illustrated. The vent system must be supported approximately every 3 feet for both vertical and horizontal runs. Use noncombustible strapping to maintain the minimum 1" clearance to combustibles. Figure 11.

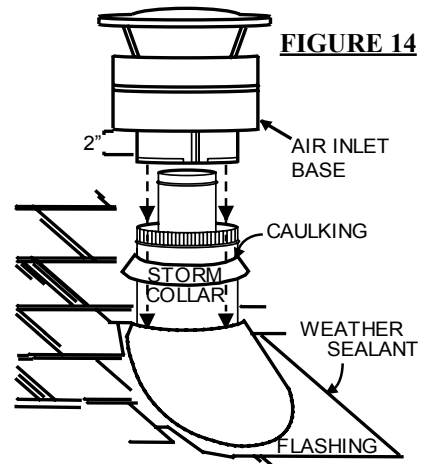


FIGURE 14

## FIREPLACE VENT CONNECTION

1. Install the 3" flexible vent pipe to the fireplace. Secure with 3 screws and flat washers. Seal the joint and screw holes using Mill Pac sealant (W573-0007 not supplied).

2. Install the 5" flexible vent pipe to the fireplace. Attach and seal the joints using the high temperature sealant W573-0002 (not supplied).

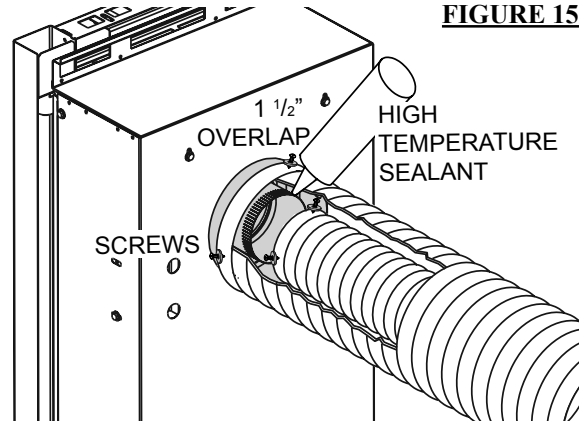


FIGURE 15

## MOBILE HOME INSTALLATION

This appliance is certified to be installed as an OEM (Original Equipment Manufacturer) installation in a manufactured home or mobile home and must be installed in accordance with the manufacturer's instructions and the Manufactured Home Construction and Safety Standard, Title 24 CFR, Part 3280, in the United States or the Mobile Home Standard, CAN/CSA Z240 MH Series, in Canada. This appliance is only for use with the type(s) of gas indicated on the rating plate. A conversion kit is supplied with the mobile home appliance.

This Mobile/Manufactured Home Listed appliance comes factory equipped with a means to secure the unit. The fireplace is equipped with two 1/4" diameter holes located in the front left and right corners of the base. For mobile home installations, the fireplace must be fastened in place. Use #10 hex head screws, inserted through the holes in the base to secure. Always turn off the pilot and the fuel supply at the source, prior to moving the mobile home. After moving the mobile home and prior to lighting the fireplace, ensure that the logs are positioned correctly.

This appliance is certified to be installed in an aftermarket permanently located, manufactured (mobile) home, where not prohibited by local codes.

This fireplace is only for use with the type of gas indicated on the rating plate. This fireplace is not convertible for use with other gases, unless a certified kit is used.

### Conversion Kits

The mobile home appliance is field convertible between Natural Gas (NG) and Propane (LP). To convert from one gas to another consult your Napoleon® dealer/distributor.

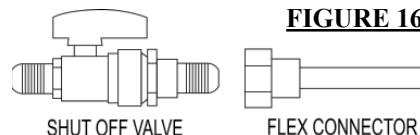
## GAS INSTALLATION

Proceed once the vent installation is complete.

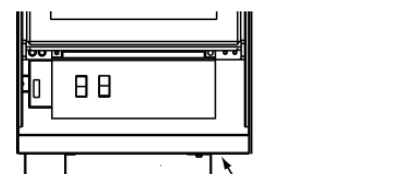
**Note:** All gas connections must be contained within the fireplace when complete.

1. The fireplace is designed to accept a 1/2" gas supply line. The fireplace is equipped with a 1/2" manual shut-off valve.
2. The access to the gas inlet is located on the bottom of the outer shell.
3. The shut off must always be within the outer shell.
4. When flexing any gas line, support the gas valve so that the lines are not kinked.
5. Check for gas leaks by brushing on a soap and water solution.

Do not use open flame.



**FIGURE 16**



**FIGURE 17**

GAS INLET LOCATION

## ELECTRICAL CONNECTION

! WARNING

RISK OF ELECTRIC SHOCK!  
Control and valve operate with 110v.

Do NOT use the fireplace if any part has been under water. Call a qualified service technician IMMEDIATELY to have the fireplace inspected for damage to the electrical circuit.

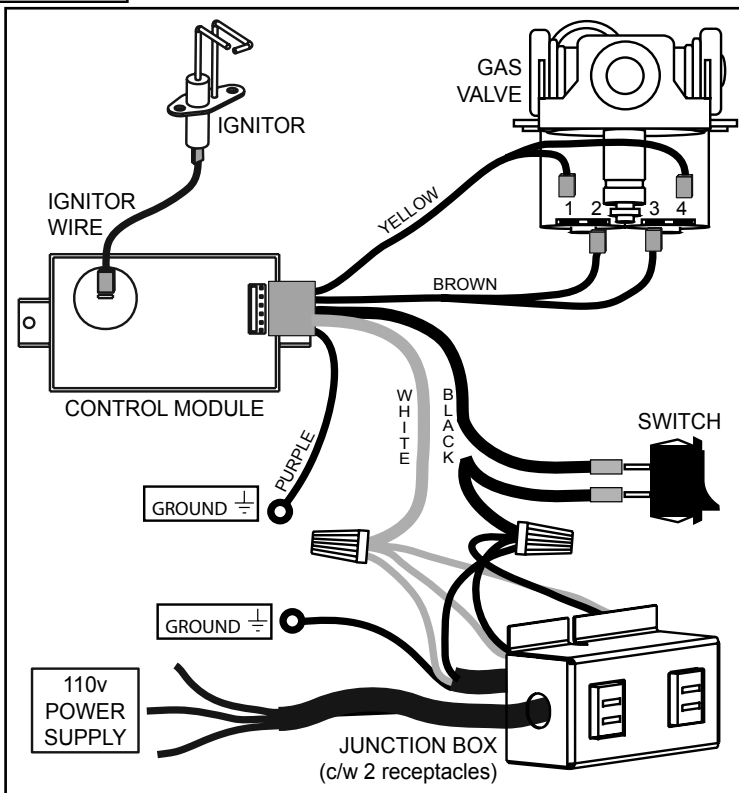
### HARD WIRING CONNECTION

IT IS NECESSARY TO HARD WIRE THIS FIREPLACE.

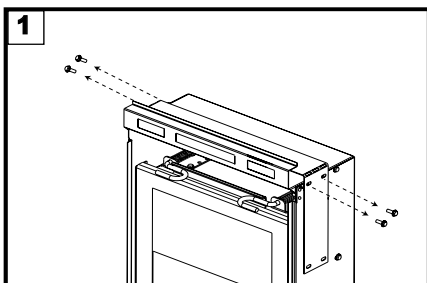
Permanently framing the fireplace with an enclosure, requires the fireplace junction box to be hard wired.

This fireplace must be electrically connected and grounded in accordance with local codes. In the absence of local codes, use the current CSA C22.1 CANADIAN ELECTRICAL CODE in Canada or the ANSI/NFPA 70-1996 NATIONAL ELECTRICAL CODE in the United States.

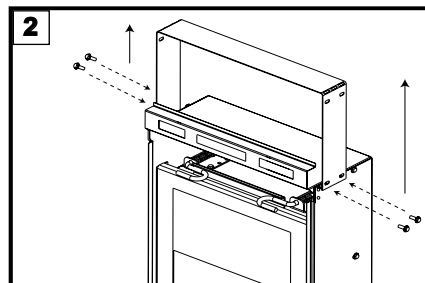
**FIGURE 18**



## STAND-OFF ASSEMBLY



**FIGURE 19a&b**



## NAILING TAB INSTALLATION

Attach the 4 nailing tabs supplied to the sides of the outer shell as illustrated using the 8 self-tapping screws included in the manual baggie.

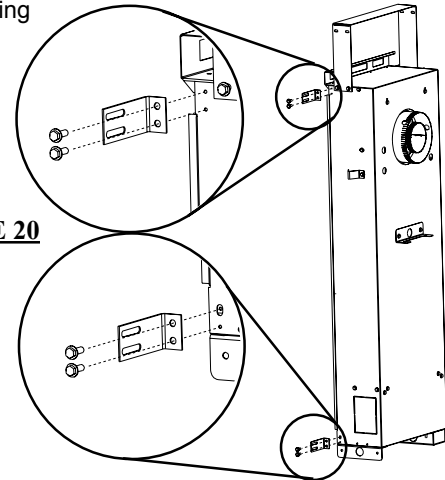


FIGURE 20

## FRAMING

The TORCH™ has been designed to be installed mid-way up a wall. When installing this unit close to the finished floor, the unit must be raised a minimum of 2" (unobstructed) to allow for full rotation of the control door. It is not necessary to install a hearth extension.

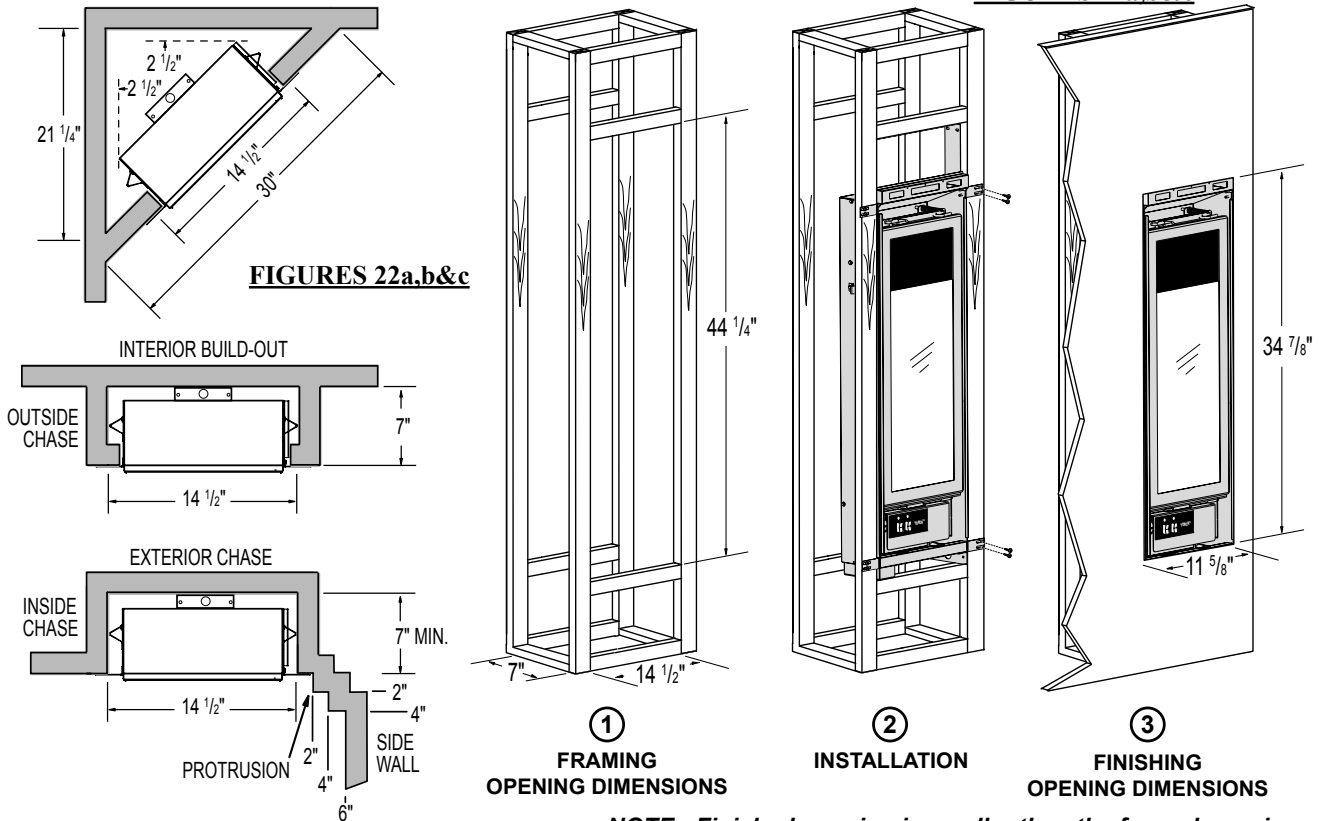
Although the unit fits between studs, most jurisdictions will not allow a "hole" in the warm air envelope of a residential structure. It is recommended to build either an interior or exterior chase with a minimum depth of 7".

It is best to frame your fireplace after it is positioned and the vent system is installed. Frame to local building codes.

To install the fireplace face flush with the finished surface, position the framework to accommodate the thickness of the finished surface. Use 4 flat-head screws to secure the nailing tabs to the framing. Cover the nailing tabs with your finishing material.

**NOTE:** In order to avoid the possibility of exposed insulation or vapour barrier coming in contact with the fireplace body, it is recommended that the walls of the fireplace enclosure be "finished" (ie: drywall/sheetrock), as you would finish any other outside wall of a home. This will ensure that clearance to combustibles is maintained within the cavity.

FIGURES 21a,b&c



FIGURES 22a,b&c

①

FRAMING  
OPENING DIMENSIONS

②

INSTALLATION

③

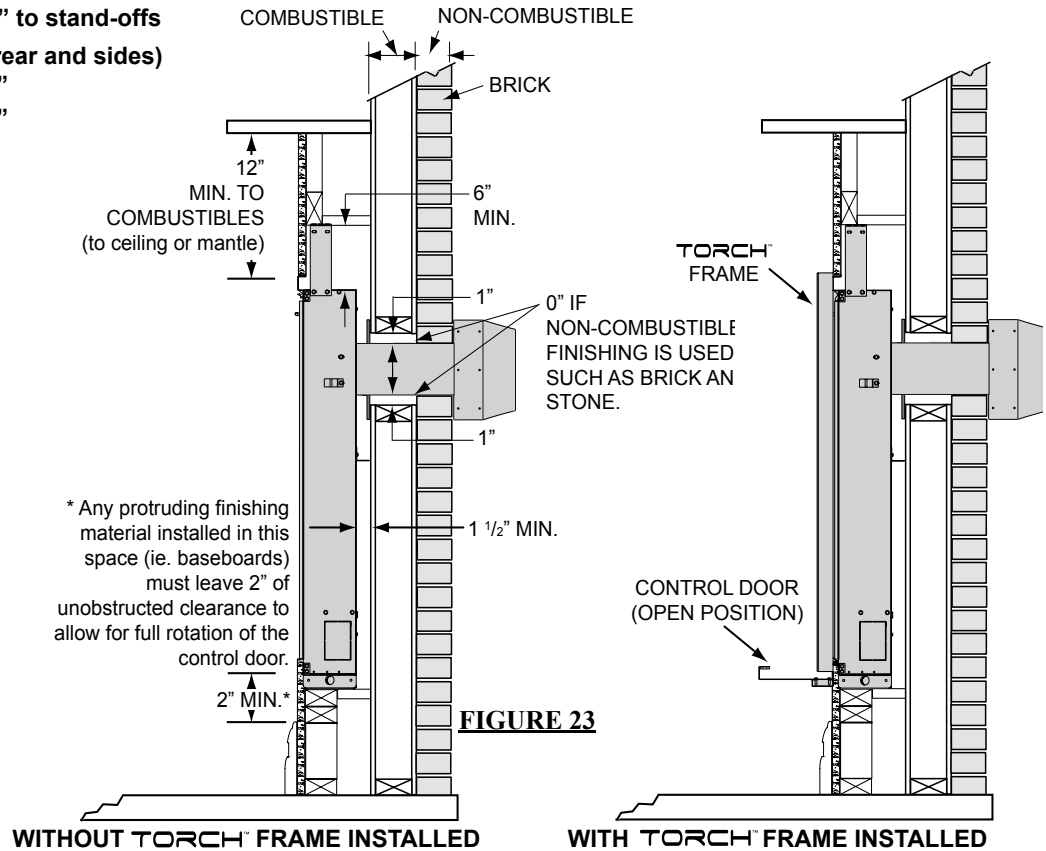
FINISHING  
OPENING DIMENSIONS

**NOTE:** Finished opening is smaller than the framed opening.

## CLEARANCES TO COMBUSTIBLES

Minimum clearance to combustible construction from fireplace and vent surfaces:

- Fireplace framing:**
- 6" to top
  - 0" to stand-offs (rear and sides)
- Vent pipe:**
- 1"
- Recessed depth:**
- 7"



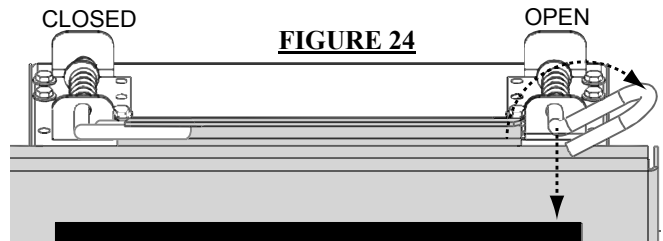
**FIGURE 23**

## FINISHING

### DOOR REMOVAL

Before the glass door can be removed, the optional frame/front must be removed.

The glass door is secured to the top front edge of the firebox. Pull the handles of the latches forward, then lift the hooks out from the slots in the door frame to release the top of the door. Then, pivot forward until the top edge of the door clears the front of the fireplace. Next gripping the sides of the door lift the door out from the retainer along the bottom of the door.

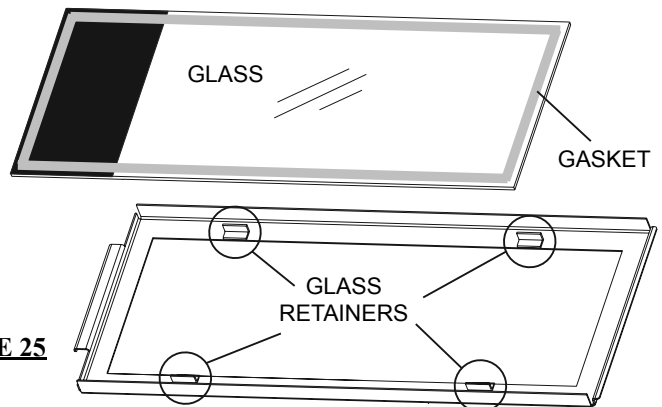


### GLASS REMOVAL

Having removed the door, lay on a smooth flat surface, face down. There are 4 glass retainers that need to be bent away from the glass to release it from the frame. Do not pry on the glass.

When replacing **DO NOT SUBSTITUTE MATERIAL**, replace the gasket (W562-0008) and the glass (W300-0088). Set new glass into the frame and gently bend tabs into the gasket to secure.

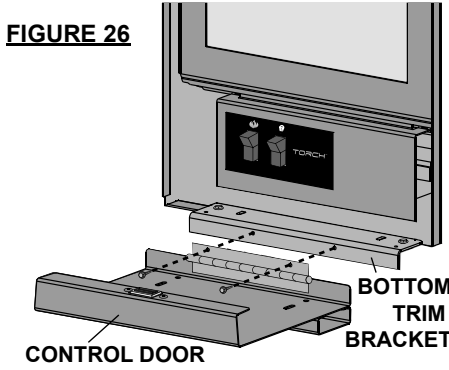
**NOTE:** Care must be taken when removing and disposing of any broken glass or damaged components. Be sure to vacuum up any broken glass from inside the fireplace before operation.



**FIGURE 25**

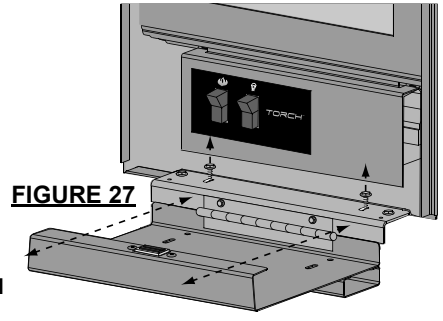
**FRAME/FRONT INSTALLATION**

1. Align the two holes in the upper portion of the hinge on the *control door* to those in the bottom trim bracket, secure using two of the #8 x 1/2" hex head screws supplied. **Figure 26**



2. Install the top trim bracket to the firebox using the three #9 - 14 x 1/2" hex head screws supplied in the TORCH® manual baggie.

3. Rest the top lip of the TORCH® frame on the top trim bracket, and the securing tabs at the bottom of the TORCH® frame on the bottom trim bracket.



4. Align the two slots in the top of the TORCH® frame with the two holes in the top trim bracket and secure using the two #10 pan head screws supplied however do not fully tighten to leave room for adjustment. **Figure 27**

5. Align the holes in the securing tabs at the bottom of the TORCH® frame with the holes in the bottom trim bracket and secure using the two remaining #8 x 1/2" hex head screws, however do not fully tighten to leave room for adjustment. **Figure 27**

**Figure 27**

6. If required, the bottom trim bracket can be adjusted by loosening its securing screws. **Figure 27**

7. Once the TORCH® frame is perfectly square and the control door will close without rubbing against the sides of the TORCH® frame, tighten all screws.

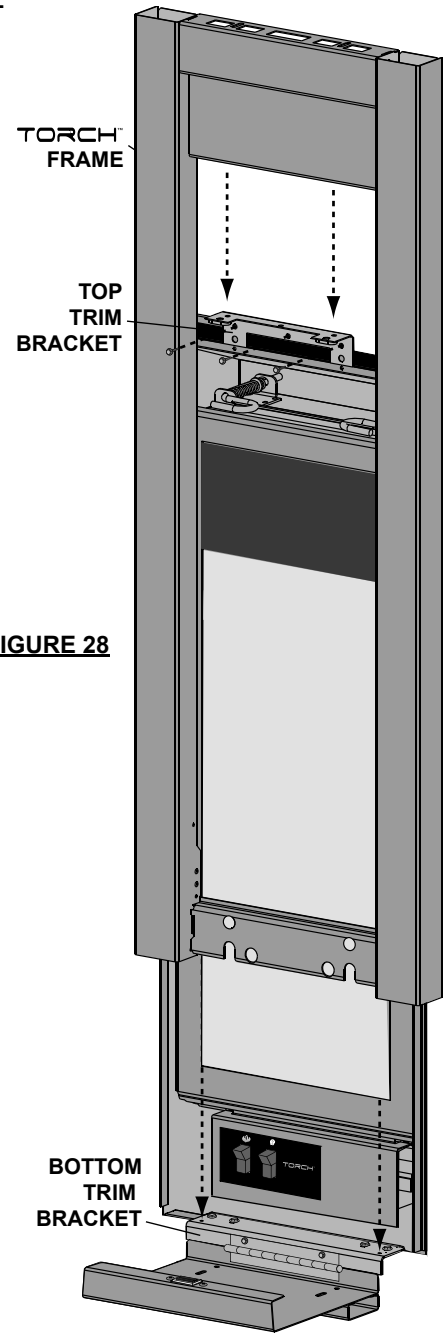
8. Open the control door.

9. Insert the door stop chain into the receiving slot in the control door.

**Figure 29**

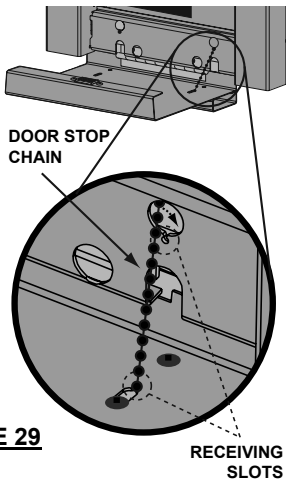
10. Insert the door stop chain into the receiving slot in the TORCH® frame so that when fully open the control door has a clearance of 1/8" to the finished wall. **NOTE:** In most cases, a count of 9 balls between receiving slots will give the desired clearance. **Figure 29**

11. Close the control door.



The TORCH® frame has been designed to accommodate finished material thicknesses of .500" - .750". If it is necessary to pull the TORCH® frame out to the max. .750" the magnetic catch will need to be adjusted. Minor adjustment can be made by removing shims from behind the magnet. Major adjustments can be made by moving the magnet to the outside of the panel.

Adjustment may be required to accommodate the door stop chain slack when the control door is closed. The control door securing screws can be loosened to allow adjustment. Before re-tightening the screws ensure the control door is still recessed into the TORCH® frame at a similar offset to the top trim piece.



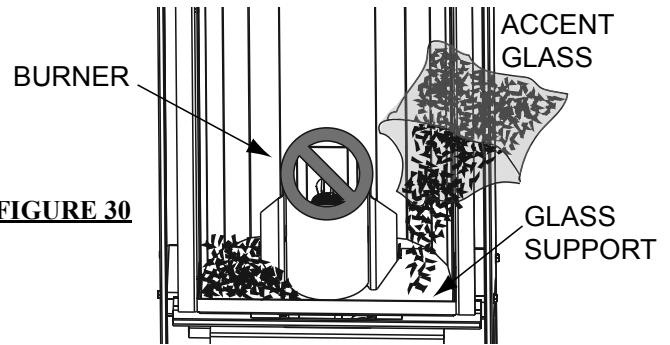
**FIGURE 29**



## ACCENT GLASS INSTALLATION

Carefully sprinkle the accent glass onto the glass support evenly. Ensure no glass falls into the burner area. If this happens, insert a clean bag into your vacuum cleaner and vacuum out the accent glass. Replacement accent glass can be purchased from Wolf Steel Ltd.

**FIGURE 30**

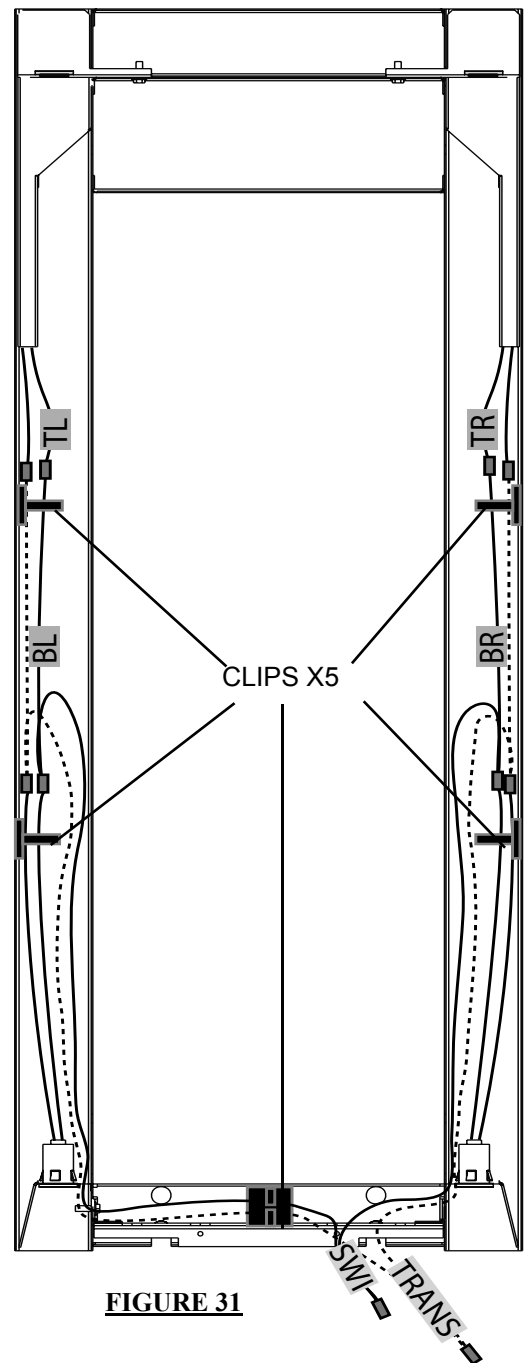


## LK8 LIGHT INSTALLATION (OPTIONAL)

1. Turn off the electrical and gas supply to the fireplace.
2. Remove the frame from the unit by removing the 2 black securing screws from the top, and the 2 silver hex head securing screws from the bottom.
3. Lay the frame down on its front, being careful not to scratch the finish.
4. Starting at the top of the frame, take one light assembly and carefully snap it into place in the hole provided. Repeat for each of the light assemblies. The wires on the top 2 light assemblies will need to be fed in behind the heat shields.

**Note: When installing the light kit be careful not to scratch your fingers on any of the exposed screws in the frame.**

5. Using **Figure 31** as a guide, connect the light assemblies to the appropriate flags on the wire harness. The wire harness is labeled (TR) top right, (BR) bottom right (TL) Top left and (BL) bottom left.
6. Secure the wires into the clips at both sides and the bottom of the frame. Use the extra clips provided to retain any loose wires.
7. Re-attach frame onto unit.
8. Remove the control panel by removing the 2 screws securing it along the top edge. Leave the wires connected to the ON/OFF switch.
9. Place the transformer into the bottom of the unit. Plug the transformer into the receptacle.
10. Lay the control panel flat along the bottom edge of the frame. Attach one of the wire leads from the transformer to the lead on the wire harness labeled "TRANS", and the other to the ON/OFF switch. Attach the last lead on the wire harness labeled "SWI" to the ON/OFF switch.
11. Re-secure the control panel.
12. Turn on the gas supply and electrical power.



**FIGURE 31**

# OPERATING INSTRUCTIONS

When lit for the first time, the fireplace will emit a slight odour for a few hours. This is a normal temporary condition caused by the curing of paints and lubricants used in the manufacturing process and will not occur again. Simply open a window to sufficiently ventilate the room.

After extended periods of non-operation such as following a vacation or a warm weather season, the fireplace may emit a

slight odour for a few hours. This is caused by dust particles in the heat exchanger burning off. Open a window to sufficiently ventilate the room.

**Purge all gas lines with the glass door of the fireplace open. Assure that a continuous gas flow is at the burner before closing the door.**

## FOR YOUR SAFETY READ BEFORE LIGHTING:

- A.** This fireplace is equipped with an ignition device which automatically lights the burner. Do not try to light by hand.
- B.** Before operating, smell all around the fireplace area for gas and next to the floor because some gas is heavier than air and will settle on the floor.
- C.** Do not use this fireplace if any part has been under water. Immediately call a qualified service technician to inspect the fireplace and replace any part of the control system and any gas control which has been under water.

## WHAT TO DO IF YOU SMELL GAS:

- Turn off all gas to the fireplace.
- Open windows.
- Do not try to light any appliance.
- Do not touch any electrical switch; do not use any phone in your building.
- Immediately call your gas supplier from a neighbor's phone. Follow the gas supplier's instructions.
- If you cannot reach your gas supplier, call the fire department.

## LIGHTING INSTRUCTIONS

1. **STOP!** Read the safety information located above.
2. Turn off all electric power to the fireplace.
3. This fireplace is equipped with an ignition device which automatically lights the burner. Do not try to light by hand.
4. Remove the glass door.
5. Wait five (5) minutes to clear out any gas. If you smell gas including near the floor **STOP!** Follow "B" in the above safety information on this label. If you don't smell gas go to the next step.
6. Replace the glass door.
7. Turn on all electric power to the fireplace.

8. Turn the fireplace switch to the ON position.
9. If fireplace will not operate, follow instructions "To Turn Off Gas" and call your service technician or gas supplier.

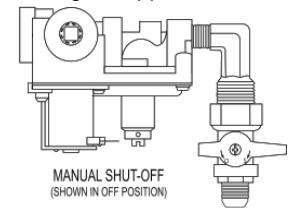


FIGURE 32

## TO TURN OFF GAS

1. Turn the fireplace switch to the OFF position.
2. Turn off all electrical power to the fireplace if service is to be preformed.
3. Turn manual shut-off valve clockwise to off. Do not force.

## RATING PLATE

**RATING LABEL LOCATION:** The rating label is located under the control panel and is chained to the fireplace. **DO NOT REMOVE.**

 INTERTEK Warrack Heersol US	CERTIFIED UNDER : CSA 2.22-2007, ANSI 21.50-2007 VENTED GAS FIREPLACE DIRECT VENT GAS FIREPLACE. APPROVED FOR BEDROOM, BATHROOM AND BED SITTING ROOM INSTALLATION. SUITABLE FOR MOBILE HOME INSTALLATION IF INSTALLED IN ACCORDANCE WITH THE CURRENT STANDARD CAN/CSA Z240MH SERIES GAS EQUIPPED MOBILE HOMES. IN CANADA OR IN THE UNITED STATES THE MANUFACTURED HOME CONSTRUCTION AND SAFETY STANDARD, TITLE 24 DFR, PART 3280. WHEN THIS US STANDARD IS NOT APPLICABLE USE THE STANDARD FOR FIRE SAFETY CRITERIA FOR MANUFACTURED HOME INSTALLATIONS, SITES AND COMMUNITIES, ANSI/NFPA 501A.	
	REFERENCE #15901	MODEL GT8N (NATURAL GAS) 0-4500FT (0-1370m) 6,000 BTU/h #56
	MANIFOLD PRESSURE: 3.5" WATER COLUMN MINIMUM SUPPLY PRESSURE: 4.5" WATER COLUMN MAXIMUM SUPPLY PRESSURE: 7.0" WATER COLUMN	CERTIFIED FOR CANADA AND USA ALTITUDE INPUT ORIFICE MANIFOLD PRESSURE: 10" WATER COLUMN MINIMUM SUPPLY PRESSURE: 11" WATER COLUMN MAXIMUM SUPPLY PRESSURE: 13" WATER COLUMN
<b>WARNING:</b> DO NOT ADD ANY MATERIAL TO THE APPLIANCE, WHICH WILL COME IN CONTACT WITH THE FLAMES, OTHER THAN THAT SUPPLIED BY THE MANUFACTURER WITH THE APPLIANCE. MINIMUM CLEARANCES TO COMBUSTIBLE MATERIALS TOP 6" RECESSED DEPTH 7" FLOOR 0" VENT 1" SIDES 0" BACK 1 1/2" TOP, SIDES & BACK AS PER ABOVE. FOR FINISHING MATERIAL, SEE OWNERS MANUAL. ELECTRICAL RATING: 115v 0.82AMP, 60HZ MINIMUM AND MAXIMUM HORIZONTAL VENT LENGTHS ARE 10 INCHES AND 10 FEET RESPECTIVELY. MINIMUM AND MAXIMUM VERTICAL VENT LENGTHS ARE 36 INCHES AND 10 FEET RESPECTIVELY.		
VENTED GAS FIREPLACE NOT FOR USE WITH SOLID FUEL. FOR USE WITH GLASS DOOR. CERTIFIED WITH THIS UNIT ONLY. THE APPLIANCE MUST BE VENTED USING THE APPROPRIATE NAPOLEON VENT KITS, SEE OWNERS INSTALLATION MANUAL FOR VENTING SPECIFICS. PROPER REINSTALLATION AND RESEALING IS NECESSARY AFTER SERVICING THE VENT-AIR INTAKE SYSTEM. THIS APPLIANCE IS ONLY FOR USE WITH THE TYPE OF GAS INDICATED ON THE RATING PLATE AND MY BE INSTALLED IN AN AFTERMARKET, PERMANENTLY LOCATED, MANUFACTURED HOME (USA ONLY) OR MOBILE HOME WHERE NOT PROHIBITED BY LOCAL CODES. SEE OWNER'S MANUAL FOR DETAILS. THIS APPLIANCE IS NOT CONVERTIBLE FOR USE WITH OTHER GASES, UNLESS A CERTIFIED KIT IS USED.		
MADE IN CANADA WOLF STEEL LTD, BARRIE, ON, CANADA SERIAL NUMBER: GT8  W385-0381 / A		

## MAINTENANCE

### TURN OFF THE GAS AND ELECTRICAL POWER BEFORE SERVICING THE FIREPLACE.

**CAUTION:** Label all wires prior to disconnection when servicing controls. Wiring errors can cause improper and dangerous operation. Verify proper operation after servicing. This fireplace and its venting system should be inspected before use and at least annually by a qualified service person. The fireplace area must be kept clear and free of combustible materials, gasoline or other flammable vapours and liquids. The flow of combustion and ventilation air must not be obstructed.

1. Keep the control compartment, burner, and air shutter opening clean by vacuuming or brushing, *at least once a year*.

2. Check to see that the main burner ignites when the switch for the burner is turned on. A 5 second light-up period is satisfactory. If ignition takes longer, consult your Napoleon® dealer / distributor.

3. Check that the gasketing on the sides, top and bottom of the door is not broken or missing. Replace if necessary.

## ADJUSTMENTS

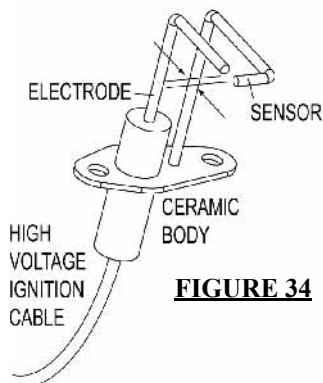
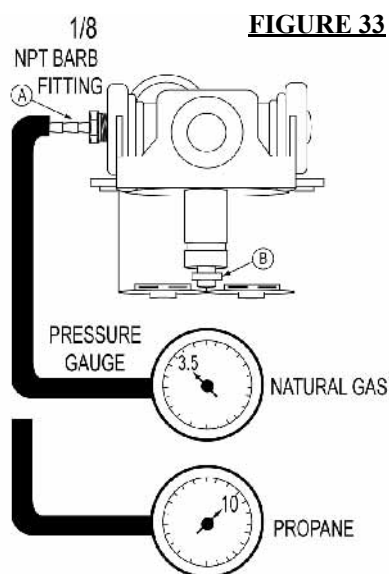
### GAS PRESSURE ADJUSTMENT

Outlet pressure can be adjusted if not measuring 3.5" W.C. (NG) or 10.0" W.C. (LP).

1. Pressure can be checked by removing cap (A) using a 3/16 allen key and replacing it with a 1/8 NPT barb fitting.

2. Place pressure gauge tube over the fitting.

3. Pressure can be adjusted by removing cap (B) using a flat screwdriver, and adjusting the nylon plug with the same screw driver. Turning the plug in (clockwise) will increase the pressure.



### VENTURI ADJUSTMENT

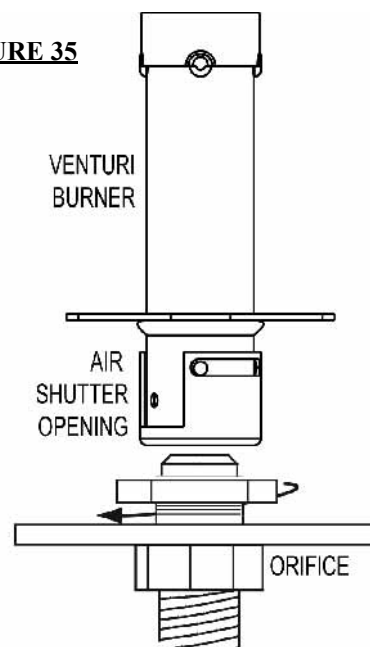
Closing the air shutter will cause a more yellow flame, but can lead to carboning. Opening the air shutter will cause a more blue flame, but can cause flame lifting from the burner ports. The flame may not appear yellow immediately; allow 15 to 30 minutes for the final flame color to be established.

**NOTE:** It is important that the venturi sits down tight on the orifice. The burner is adjustable up/down to ensure this.

#### AIR SHUTTER OPENINGS

LP	5/16" DIA (x2)
NG	3/16" DIA (x1)

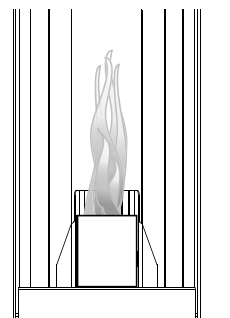
**FIGURE 35**



### FLAME CHARACTERISTICS

It is important to periodically perform a visual check of the burner flame. Compare them to the illustration provided.

**FIGURE 36**



# REPLACEMENTS

Contact your dealer for questions concerning prices and availability of replacement parts. Normally all parts can be ordered through your Napoleon® dealer or distributor.

When ordering replacement parts always give the following information:

1. MODEL & SERIAL NUMBER OF FIREPLACE
2. INSTALLATION DATE OF FIREPLACE
3. PART NUMBER
4. DESCRIPTION OF PART
5. FINISH

## REPLACEMENT PARTS

#	PART NO.	DESCRIPTION
1	W225-0216	DOOR FRAME
2*	W562-0008	DOOR GASKET
3*	W010-1736	DOOR LATCH ASSEMBLY
4	W010-1743	GLASS <i>c/w</i> GASKET
5*	W300-0088	GLASS
6	W100-0104	BURNER
7	W357-0006	IGNITOR
8	W190-0026	CONTROL MODULE
9*	W750-0183	WIRE HARNESS
10*	W750-0184	IGNITION CABLE
11	W200-0234	IGNITOR COVER
12	W200-0233	BURNER COVER
13	W725-0052	NATURAL GAS VALVE - 3.5" W.C.
13	W725-0053	PROPANE GAS VALVE - 10.0" W.C.
14*	W455-0085	NATURAL GAS ORIFICE
14*	W455-0086	PROPANE GAS ORIFICE
15	W500-0358	FIRESTOP SPACER
16	W475-0522	BACK PANEL
17*	W300-0108	ACCENT GLASS (BLACK)
18*	W385-0334	NAPOLEON® LOGO
19	W290-0123	EXHAUST GASKET
20	W290-0125	BURNER GASKET
21*	W562-0046	ROPE GASKET, BACK PANEL
22	TFK	TORCH® FRAME - PAINTED METALLIC BLACK FINISH
22	TFR	TORCH® FRAME - RED FINISH
22	TFP	TORCH® FRAME - PEWTER FINISH
22	TFW	TORCH® FRAME - WHITE FINISH
22	TFB	TORCH® FRAME - STEEL BLUE FINISH

## FLEXIBLE VENT KITS

### GDT5 (5 FT)

23*	W730-0031	3" FLEXIBLE VENT PIPE - (5 FT)
24*	W730-0032	5" FLEXIBLE VENT PIPE - (5 FT)
25*	W615-0080	SPACERS (3 INCLUDED)

### GDT10 (10 FT)

26*	W730-0033	3" FLEXIBLE VENT PIPE - (10 FT)
27*	W730-0034	5" FLEXIBLE VENT PIPE - (10 FT)
25*	W615-0080	SPACERS (6 INCLUDED)

## TERMINAL KITS

### GD178 (WALL TERMINAL KIT)

28*	W010-1744	12" FLEXIBLE VENT ASSEMBLY
29	W670-0010	3 7/8" FLEXIBLE HORIZONTAL TERMINAL

### GD179 (TERMINAL ONLY)

29	W670-0010	3 7/8" FLEXIBLE HORIZONTAL TERMINAL
----	-----------	-------------------------------------

## ROOF TERMINAL KITS

### GDT113

30*	W670-0011	AIR TERMINAL
31*	W490-0076	3/5 INNER/OUTER SLEEVE

### GDT110 (1/12 - 7/12 PITCH)

30*	W670-0011	AIR TERMINAL
31*	W490-0076	3/5 INNER/OUTER SLEEVE
32*	W010-1844	ROOF SUPPORT
33*	W263-0099	ROOF FLASHING
34*	W170-0134	STORM COLLAR

### GDT111 (8/12 - 12/12 PITCH)

30*	W670-0011	AIR TERMINAL
31*	W490-0076	3/5 INNER/OUTER SLEEVE
32*	W010-1844	ROOF SUPPORT
33*	W263-0100	ROOF FLASHING
34*	W170-0134	STORM COLLAR

### GDT112 (FLAT ROOF)

30*	W670-0011	AIR TERMINAL
31*	W490-0076	3/5 INNER/OUTER SLEEVE
32*	W010-1844	ROOF SUPPORT
33*	W263-0101	ROOF FLASHING
34*	W170-0134	STORM COLLAR

## ! WARNING

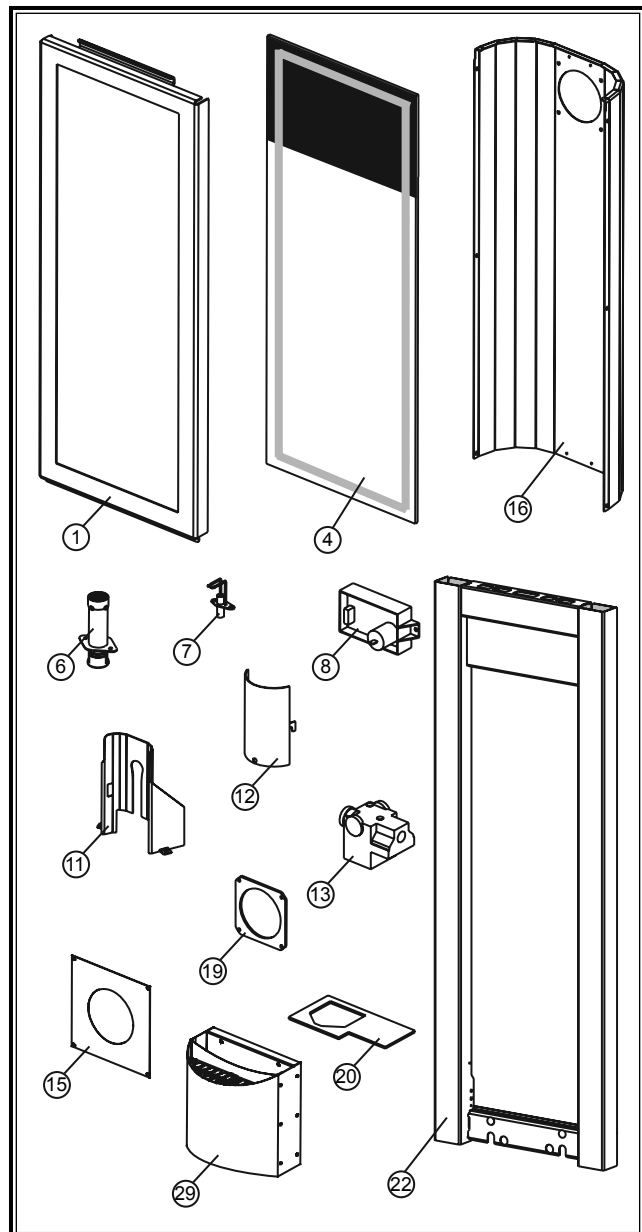
Failure to position the parts in accordance with these diagrams or failure to use only parts specified approved with this appliance may result in property damage or personal injury.

FOR WARRANTY REPLACEMENT PARTS, A PHOTOCOPY OF THE ORIGINAL INVOICE WILL BE REQUIRED TO HONOUR THE CLAIM.

\* IDENTIFIES ITEMS WHICH ARE NOT ILLUSTRATED. FOR FURTHER INFORMATION, CONTACT YOUR NAPOLEON® DEALER.

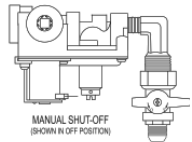
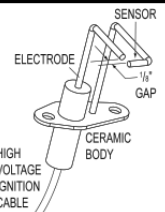
## ACCESSORIES

35*	W573-0002	HIGH TEMPERATURE SEALANT
35*	W573-0007	HIGH TEMPERATURE SEALANT
36*	W175-0204	3" COUPLER
37*	W175-0166	5" COUPLER
38*	W175-0270	CONVERSION KIT - NG TO LP
39*	W175-0274	CONVERSION KIT - LP TO NG
40*	W175-0271	COUPLER KIT
41*	LK8	LIGHT KIT
42*	AVS35KT	VENT SLEEVE ASSEMBLY



# TROUBLE SHOOTING GUIDE

BEFORE ATTEMPTING TO TROUBLESHOOT, PURGE YOUR UNIT AND INITIALLY LIGHT THE IGNITOR AND THE MAIN BURNER WITH THE GLASS DOOR OPEN.

SYMPTOM	PROBLEM	TEST SOLUTION
Electrode sparks, burner ignites, electrode continues to spark for complete 7 seconds, burner shuts down.	<b>Hot and neutral wires are reversed at control module.</b>  <b>Sensor / flame not connecting</b>	- Connect the hot wire to the black wire. Connect the neutral wire to the white wire.  - Raise electrode / sensor up into flame.
Main burner flame is a blue, lazy, transparent flame.	<b>Blockage in vent.</b>	- Remove blockage. In extremely cold conditions, ice buildup may occur on the terminal and should be removed as required.
Flame length consistently too large or too small. Carboning occurs.	<b>Unit is over-fired or under-fired.</b>  	- Check pressure readings - Outlet pressure can be checked by removing cap (A) and replacing it with a 1/8" NPT barb fitting. Next, place pressure gauge tubing over the fitting. Gauge should read 3.5" W.C. for natural gas or 10.0" W.C. for propane. AFTER TAKING PRESSURE READINGS, BE SURE TO REPLACE CAP TO RESEAL. DO NOT OVER-TORQUE. - Leak test with a soap and water solution.
Carbon is being deposited on glass, logs or combustion chamber surfaces.	<b>Air shutter has become blocked.</b>	- Ensure air shutter opening is free of lint or other obstructions.
	<b>Flame is impinging on the combustion chamber.</b>	- Open air shutter to increase the primary air. - Check the input rate: check the manifold pressure and orifice size as specified by the rating plate values. - Check that the door gasketing is not broken or missing and that the seal is tight. - Check that both 3" and 5" vent liners are free of holes and well sealed at all joints. - Check that the minimum rise per foot has been adhered to for any horizontal venting.
White / grey film forms.	<b>Sulphur from fuel is being deposited on glass, logs or combustion chamber surfaces.</b>	- Clean the glass with a gas fireplace glass cleaner. <b>DO NOT CLEAN GLASS WHEN HOT.</b> If deposits are not cleaned off regularly, the glass may become permanently marked.
Exhaust fumes smelled in room, headaches.	<b>Fireplace is spilling.</b>	- Check door seal. - Check pressure relief device. - Check for chimney blockage. - Ensure that the paint curing process is complete.
No gas to the main burner; switch is on.	<b>Switch is defective.</b>	- Connect a jumper wire across the wall switch terminals; if main burner lights, replace switch / thermostat.
	<b>Burner orifice is blocked.</b>	- Remove stoppage in orifice.
	<b>Control valve faulty.</b>	- Replace.
	<b>Faulty valve.</b>	- Replace.
Burner will not light, ignitor sparks.	<b>No gas at the burner.</b>	- Check that the manual valve is turned on. - Replace the valve.
	<b>Out of propane gas.</b>	- Fill the tank.
Ignitor will not spark.  	<b>No spark at ignitor.</b>	- Check the power source. (ie. fuse, circuit breaker) - Check that the wire is connected to both the ignitor and the control module. - Check that the spark is not jumping to ignitor cover. - Replace the wire if the wire insulation is broken or frayed. - Replace the electrode if the ceramic insulator is cracked or broken.
	<b>Spark gap is incorrect.</b>	- Spark gap should be 0.125" (1/8" approx.) from the electrode tip to the sensor tip.
Remote wall switch is in "OFF" position; burner comes on.	<b>Wall switch is mounted upside down.</b>	- Reverse.
	<b>Remote wall switch is grounding.</b>	- Replace.
	<b>Remote wall switch wire is grounding.</b>	- Check for ground (short); repair ground or replace wire.
	<b>Faulty wire.</b>	- Replace.

