

**NAUTILUS**  
COMMERCIAL  
SERIES

**TREADMILLS**

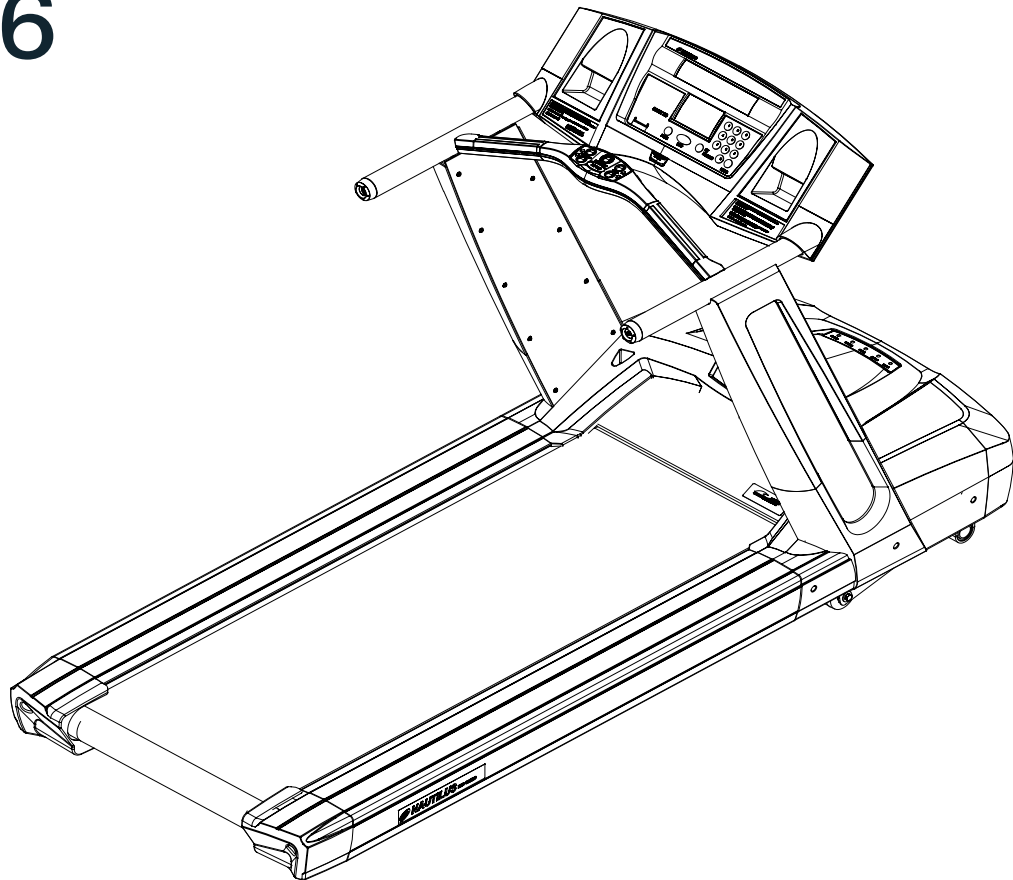
---

Models

**T912**

**T914**

**T916**



**Assembly Instructions**

---

# **i IMPORTANT!**

**Please read assembly instructions completely before beginning.**

- Due to the treadmill's size and weight, the unit requires two people to move and assemble. Several steps of the assembly process will also require two people to perform.
- Carefully unpack the machine and check to ensure all parts have been included in the box.
- After treadmill is assembled, read through your Owner's Manual for complete safety information, installation requirements and operating instructions.

## **Required Assembly Tools**

- #2 Phillips Screwdriver
- 9/16" Socket and Driver
- 5/32 Allen Wrench
- 9/16 Wrench

## **Hardware Contents**

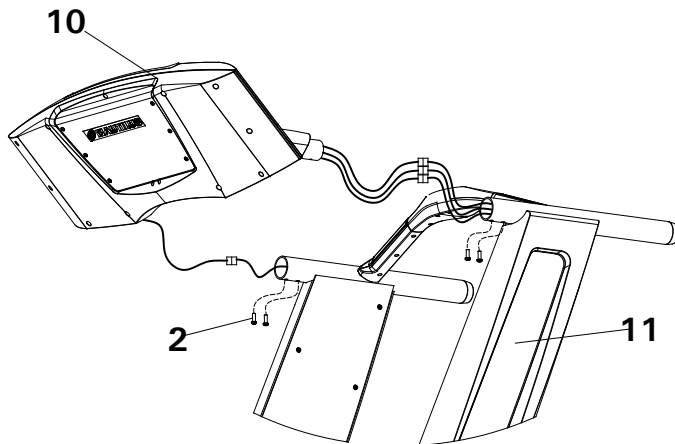
<b>Item Number</b>	<b>Item Description</b>	<b>Quantity</b>
1	#10-32 x .50" Phillips Head Screw	15
2	¼-20 x .50" Allen Head Screw	4
5	3/8-16 x 2.75" Bolt	2
6	3/8" Spring Washer	3
7	3/8" Washer	4
17	Nut, 3/8 -16 NC Finish	2
18	Screw, 3/8 - 16 x 5	2

# Assembly Procedure

**Note:** For ease of assembly, install Console Assembly before folding Treadmill Uprights into position.

## Step 1 - Install Console

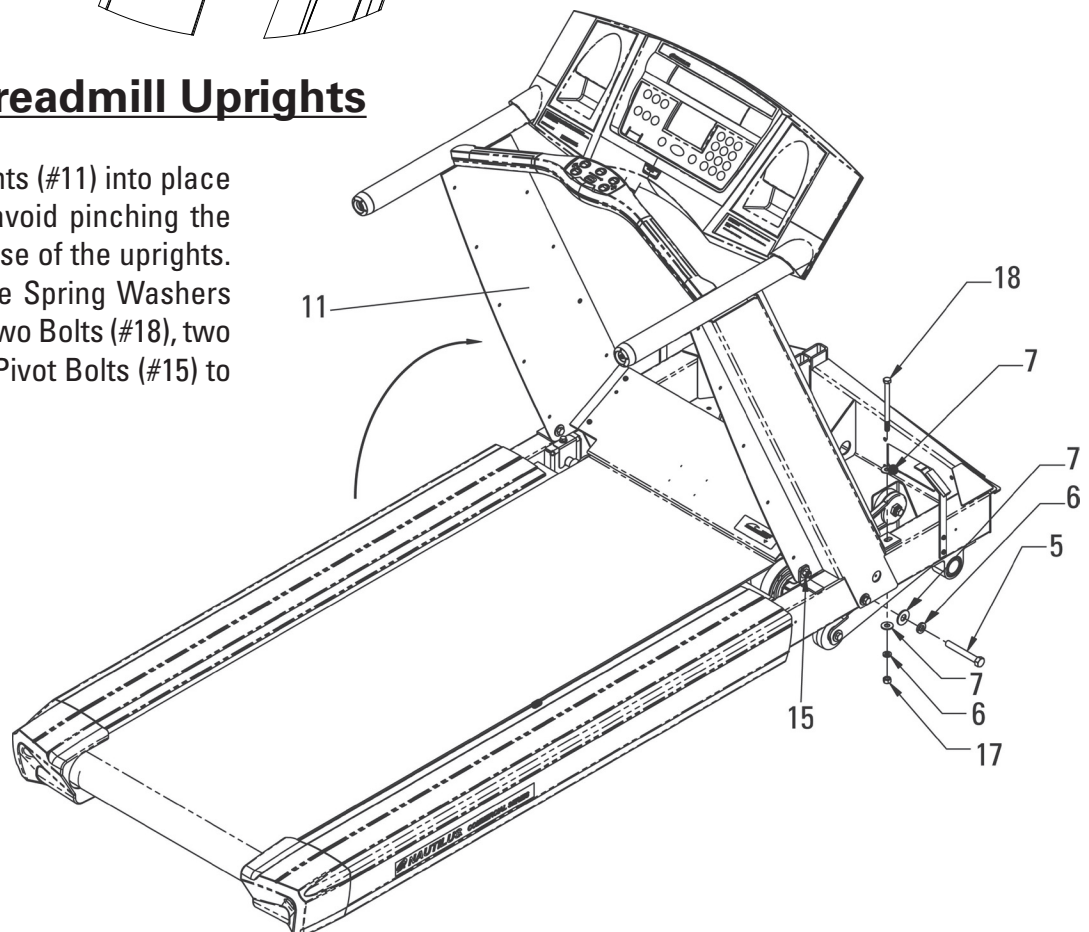
- Plug the four connectors on the Console Assembly (#10) into the four connectors on the Treadmill Uprights (#11).
- Insert the Console Assembly (#10) into the Treadmill Uprights (#11) using extreme care not to damage or pinch any of the wiring harnesses. Gently pull the excess slack from the wire harness at the bottom of the Treadmill Uprights.
- Use four Allen Screws (#2) to secure the Console Assembly.



*NOTE: T912 is shown.  
T914/T916 have only  
three connectors on the  
console and upright.*

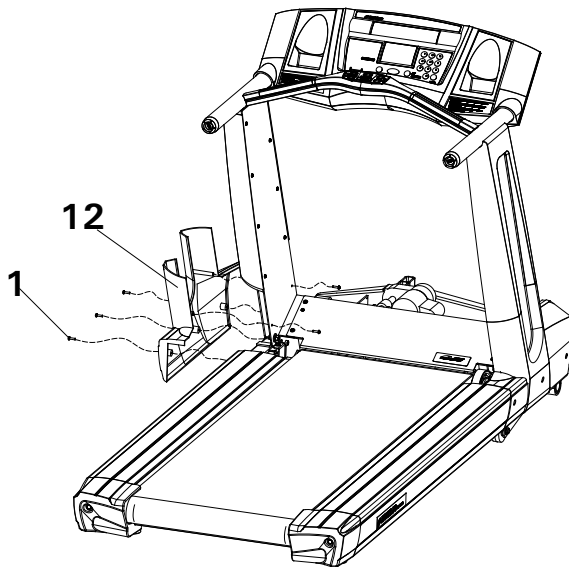
## Step 2 - Secure Treadmill Uprights

- Fold the Treadmill Uprights (#11) into place using extreme care to avoid pinching the wiring harness at the base of the uprights. Use two Bolts (#5), three Spring Washers (#6), four Washers (#7), two Bolts (#18), two Nuts (#17), and the two Pivot Bolts (#15) to secure the uprights.



### **Step 3 - Attach Side Frame Covers**

- Use 10 Phillips Head Screws (#1) to attach the left and right Side Frame Covers (#12).

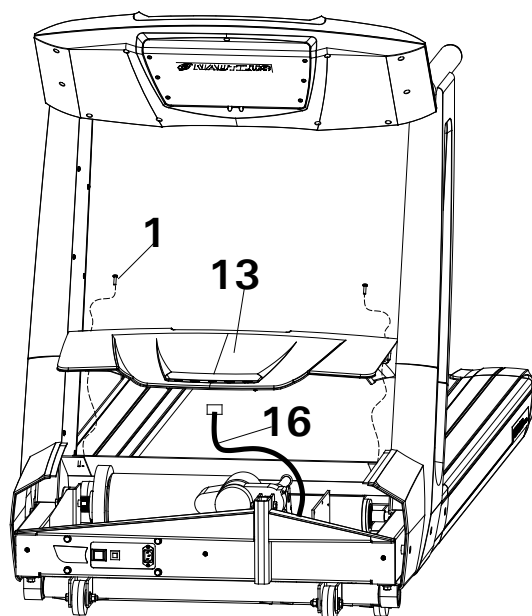


### **Step 4 - Attach Top Motor Cover ( T912 only )**

- Locate the white Data Center Cable (#16) coming from the treadmill Motor Control Board. Carefully plug the Data Center Cable into the Top Motor Cover (#13).
- Use two Phillips Head Screws (#1) to secure the Top Motor Cover onto the Kick Plate using care to avoid pinching the Data Center Cable.

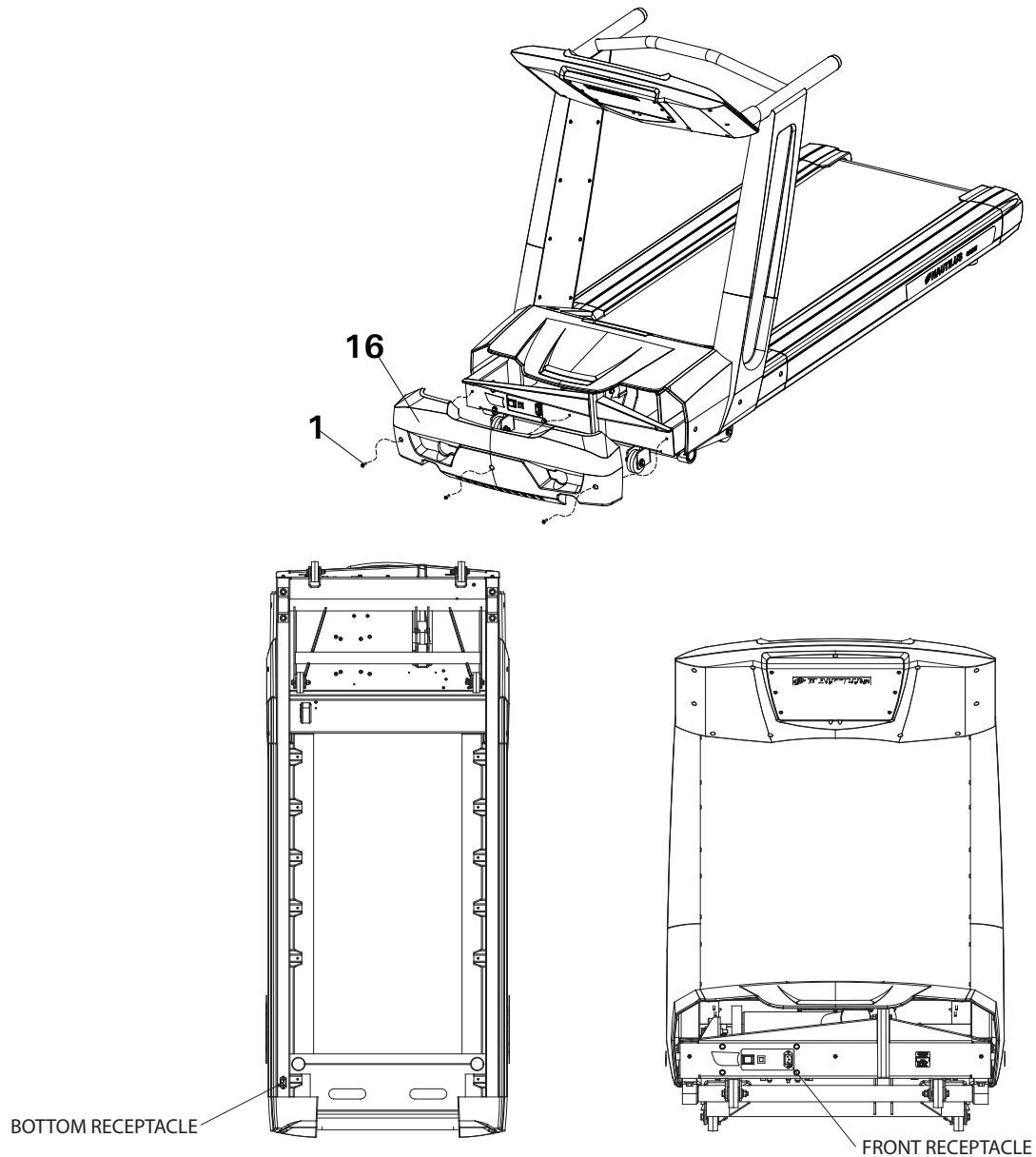
### **Step 4 - Attach Top Motor Cover ( T914 & T916 )**

- Use two Phillips Head Screws (#1) to secure the Top Motor Cover onto the Kick Plate.



## **Step 5 - Attach Front Motor Cover**

- Determine whether you will plug in the treadmill using the front or bottom power receptacle.
- If you are using the front power receptacle, plug the Power Cord into the front of the treadmill as shown. If you are using the bottom power receptacle, plug the Power Cord into the the bottom power receptacle located under the right side rail as shown.
- Use three Phillips Head Screws (#1) to secure the Front Motor Cover (#16).



**Assembly of your Nautilus Commercial Series Treadmill is complete!**

Please refer to your **Commercial Series Owners Manual** for information on proper use of your treadmill.

For more information visit our website [Nautilus.com](http://Nautilus.com) or call: 800-NAUTILUS (800-628-8458)