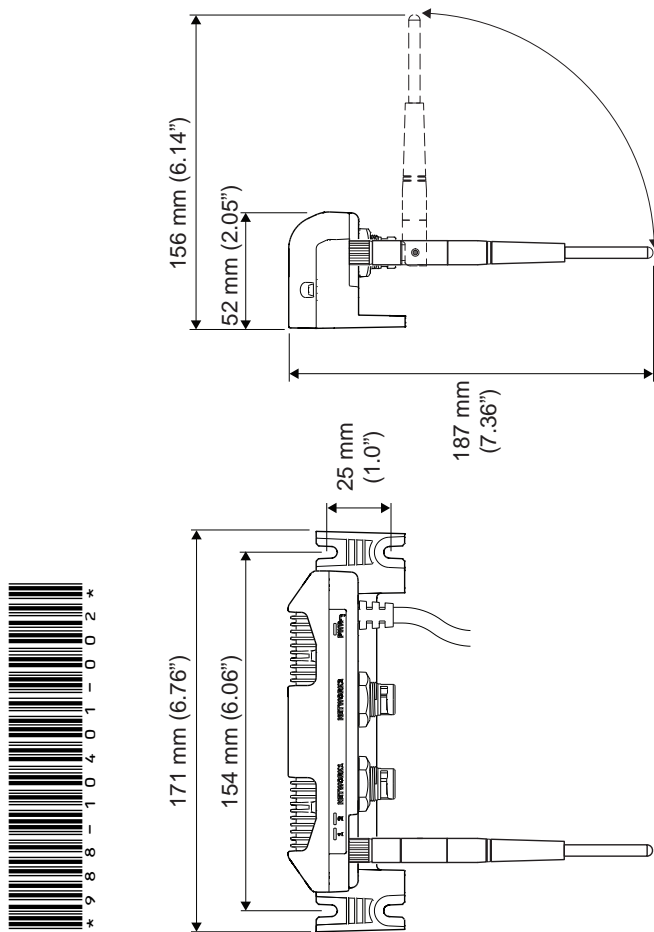


Dimensions / Dimensions



LOWRANCE

SIMRAD

B&G

WIFI-1

Install Guide /

Guide d'installation

English / Français



www.bandg.com | www.simrad-yachting.com | www.lowrance.com

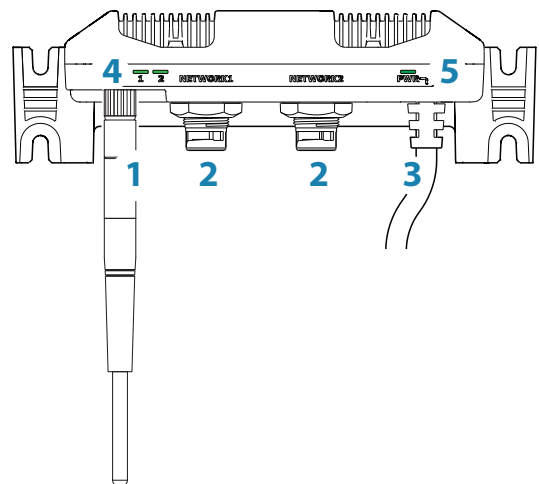
Specifications / Spécifications

| WIFI-1 features | |
|-------------------------|-----------------|
| Marinised Construction | IPX5 |
| Wireless standards | 802.11 b/g |
| Network Ports | 2 |
| Automatic configuration | Plug-n-play |
| Power supply | 12 V DC, 200 mA |



The antenna can't be replaced by the user for it has been fixed with special glue. The maximum peak gain of this antenna is only 3dBi.

Layout / Schéma



| | |
|---|---|
| 1 | Antenna / Antenne |
| 2 | Ethernet / Ethernet |
| 3 | Power / Alimentation |
| 4 | Ethernet LEDs / LEDs Ethernet <ul style="list-style-type: none"> - Green: port is active / - Vert: port actif |
| 5 | Power LED / LED d'alimentation <ul style="list-style-type: none"> - Red: power on / - Rouge: sous tension |

Establish Wi-Fi connection /

1 *Etablir la liaison Wi-Fi*



Password available on sticker on Wifi-1 unit, and from MFD /
Mot de passe disponible sur l'étiquette de l'unité WIFI-1 ou à partir du MFD

IC warning statements:

- English Warning Statement:

"This device complies with Industry Canada licence-exempt RSS standard(s). Operation is subject to the following two conditions: (1) this device may not cause interference, and (2) this device must accept any interference, including interference that may cause undesired operation of the device."

This Class B digital apparatus complies with Canadian ICES-003.

- French Warning Statement:

"Le présent appareil est conforme aux CNR d'Industrie Canada applicables aux appareils radio exempts de licence. L'exploitation est autorisée aux deux conditions suivantes : (1) l'appareil ne doit pas produire de brouillage, et (2) l'utilisateur de l'appareil doit accepter tout brouillage radioélectrique subi, même si le brouillage est susceptible d'en compromettre le fonctionnement."

Cet appareil numérique de la classe B est conforme à la norme NMB-003 du Canada.

Download Apps from App Store /

2 *Télécharger l'application de l'App Store*



→ **Note:** Graphics from iPad and App Store are examples only. Tablets and smartphones from other vendors can be used for controlling the MFD when relevant Apps are available. /

→ **Note:** *Les graphiques de l'iPad et App Store ne sont que des exemples. D'autres tablettes et smartphones peuvent être utilisés pour contrôler l'écran multifonction, dès lors que l'application correspondante est disponible.*

References / *Références*



For a list of supported features or to view the latest apps for your MFD please visit: /
Pour une liste des fonctionnalités supportées, ou pour connaître les dernières applications pour votre écran multifonction, visitez:



www.lowrance.com/gofree



www.simrad-yachting.com/gofree



www.bandg.com/gofree

FCC warning statements:

This equipment has been tested and found to comply with the limits for a Class B digital device, pursuant to part 15 of the FCC Rules. These limits are designed to provide reasonable protection against harmful interference in a residential installation. This equipment generates, uses and can radiate radio frequency energy and, if not installed and used in accordance with the instructions, may cause harmful interference to radio communications. However, there is no guarantee that interference will not occur in a particular installation. If this equipment does cause harmful interference to radio or television reception, which can be determined by turning the equipment off and on, the user is encouraged to try to correct the interference by one or more of the following measures:

- Reorient or relocate the receiving antenna.
- Increase the separation between the equipment and receiver.
- Connect the equipment into an outlet on a circuit different from that to which the receiver is connected.
- Consult the dealer or an experienced radio/TV technician for help.

Caution: Any changes or modifications to this device not explicitly approved by manufacturer could void your authority to operate this equipment.

This device complies with part 15 of the FCC Rules. Operation is subject to the following two conditions: (1) This device may not cause harmful interference, and (2) this device must accept any interference received, including interference that may cause undesired operation

This equipment complies with FCC RF radiation exposure limits set forth for an uncontrolled environment. This device and its antenna must not be located or operating in conjunction with any other antenna or transmitter.

"To comply with FCC RF exposure compliance requirements, this grant is applicable to only mobile configurations. The antennas used for this transmitter must be installed to provide a separation distance of at least 20 cm from all persons and must not be co-located or operating in conjunction with any other antenna or transmitter."