

Regulatory Statements

SonicHub 2:

- complies with CE under R&TTE directive 1999/5/EC
- complies with the requirements of level 2 devices of the Radio communications (Electromagnetic Compatibility) standard 2008
- This device complies with Part 15 of the FCC Rules. Operation is subject to the following two conditions:
(1) this device may not cause harmful interference, and

(2) this device must accept any interference received, including interference that may cause undesired operation.

The relevant Declaration of Conformity is available on the following websites, under the model documentation section:

www.lowrance.com
www.simrad-yachting.com
www.bandg.com

Industry Canada IC RSS-GEN, Sec 7.1.3 Warning Statement- (Required for license-exempt devices)

This device complies with Industry Canada's license-exempt RSSs. Operation is subject to the following two conditions:

- (1) this device may not cause interference, and
(2) this device must accept any interference, including interference that may cause undesired operation of the device.

Le présent appareil est conforme aux CNR d'Industrie Canada applicables aux appareils radio exempts de licence.

L'exploitation est autorisée aux deux conditions suivantes :

- (1) *l'appareil ne doit pas produire de brouillage, et*
(2) *l'utilisateur de l'appareil doit accepter tout brouillage radioélectrique subi, même si le brouillage est susceptible d'en compromettre le fonctionnement.*

Warning

The user is cautioned that any changes or modifications not expressly approved by the party responsible for compliance could void the user's authority to operate the equipment.

This equipment has been tested and found to comply with the limits for a Class B digital device, pursuant to Part 15 of the FCC rules. These limits are designed to provide reasonable protection against harmful interference in a residential installation. This equipment generates, uses and can radiate radio frequency energy and, if not installed and used in accordance with the instructions, may cause harmful interference to radio communications. However, there is no guarantee that

the interference will not occur in a particular installation. If this equipment does cause harmful interference to radio or television reception, which can be determined by turning the equipment off and on, the user is encouraged to try to correct the interference by one or more of the following measures:

- Reorient or relocate the receiving antenna
- Increase the separation between the equipment and receiver
- Connect the equipment into an outlet on a circuit different from that of the receiver
- Consult the dealer or an experienced technician for help

Countries of intended use in the EU

AT - Austria	EE - Estonia	IT - Italy	PL - Poland
BE - Belgium	ES - Spain	LI - Liechtenstein	PT - Portugal
BG - Bulgaria	FI - Finland	LT - Lithuania	RO - Romania
CH - Switzerland	FR - France	LU - Luxembourg	SE - Sweden
CY - Cyprus	GR - Greece	LV - Latvia	SI - Slovenia
CZ - Czech Republic	HU - Hungary	MT - Malta	SK - Slovakia
DE - Germany	IE - Ireland	NL - Netherlands	TR - Turkey
DK - Denmark	IS - Iceland	NO - Norway	UK - United Kingdom



IMPORTANT. Do not use this template if it has been rescaled by copying or printing. If this is not the original, or is a print from a file, please check the dimension lines below are to scale before use.

IMPORTANT. Ne pas utiliser ce gabarit s'il a été photocopié ou imprimé en format réduit ou agrandi. Si ce gabarit n'est ni un original ni une version imprimée d'un fichier PDF, veuillez vérifier qu'il est à l'échelle avant de l'utiliser.

IMPORTANTE. no usar la plantilla si hay peligro que la escala original exacta se ha alterado por copias o procesos de impresión imprecisos. Si esto no es el original, o un PDF, verifi car que las líneas abajo están a la escala antes de usar.

WICHTIG. Diesen Vordruck nicht verwenden, wenn er durch Kopieren oder Drucken im Maßstab verändert wurde. Sollte es nicht das Original oder ein PDF-Ausdruck sein, müssen untenstehende Zeilen vor erwendung an den richtigen Maßstab angepasst werden.

BELANGRIJK. Gebruik deze mal niet indien de schaal is veranderd doordat het is gecopieerd of gedrukt. Indien deze mal niet het origineel of een print van PDF is, controleer dan of de onderstaande lijnen de juiste schaal zijn voordat u ze gebruikt.

IMPORTANTE. Não utilize este gabarito se a escala do mesmo tiver sido alterada por cópia ou impressão. Se não for o original ou uma cópia impressa de um arquivo PDF, verifi que as linhas abaixo, para acertar a escala antes da utilização.

VIKTIGT. Använd inte denna mall om den skalats om genom utskrift eller kopiering. Om detta inte är originalet eller en utskrift från en PDF, kontrollera att linjerna nedan stämmer med skalan innan det används.

IMPORTANTE. Non utilizzare questo modello se è stato ridimensionato copiandolo o stampandolo. Se questo non è l'originale o la stampa di un file PDF, verifi care se le linee che seguono devono essere dimensionate prima di essere utilizzate.

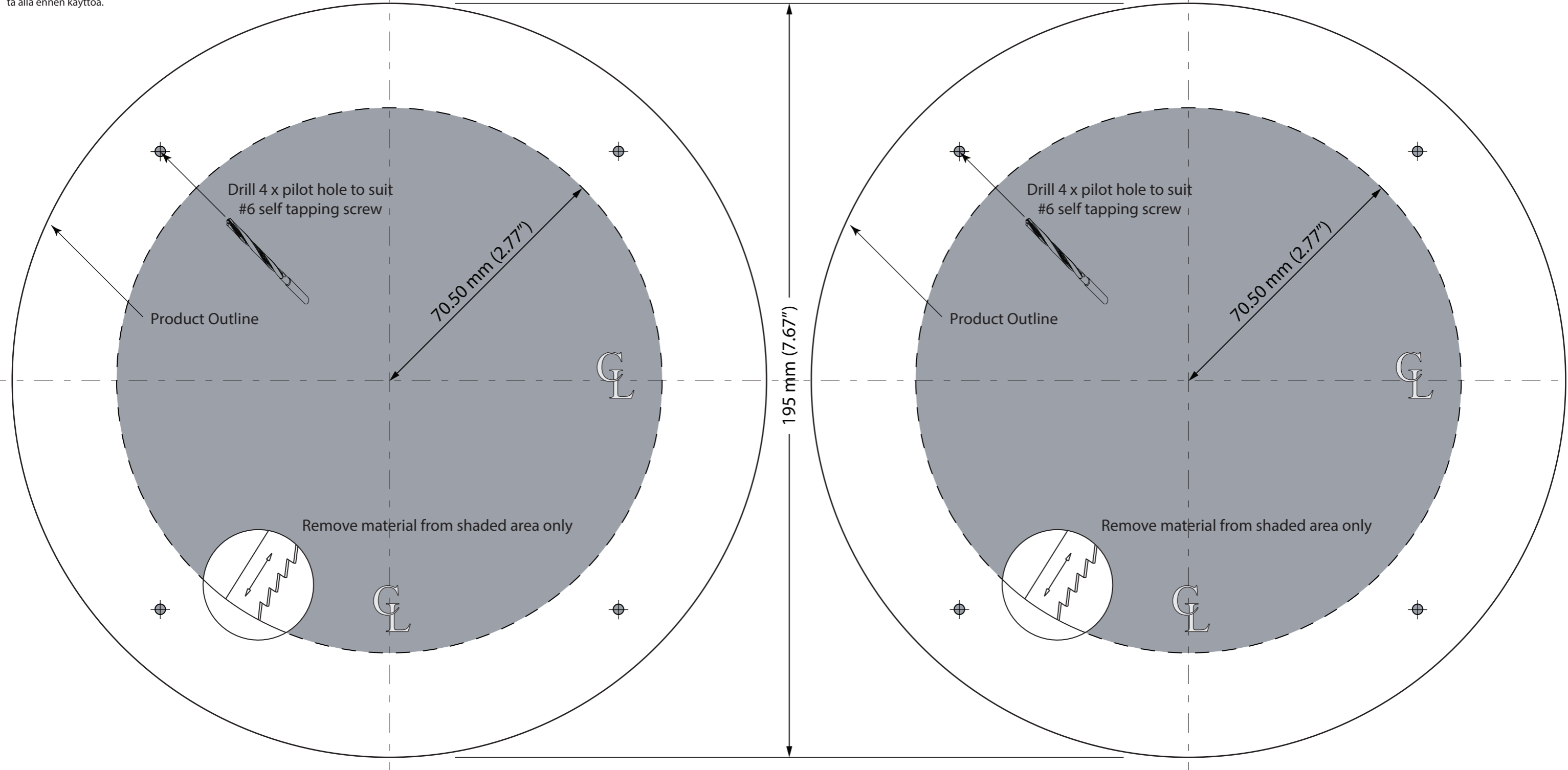
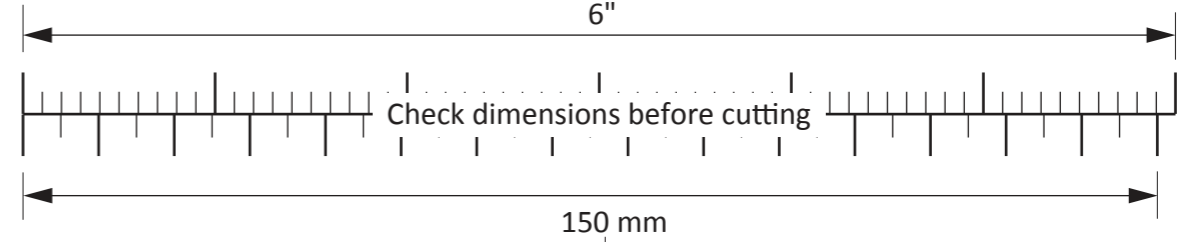
TÄRKEÄÄ. Älä käytä tätä kaaviota, jos sen mittakaava on muuttunut kopio-idessa tai tulostaessa. Jos tämä ei ole alkuperäinen tai PDF tuloste tarkista rajat mittakaavasta alla ennen käyttöä.

LOWRANCE

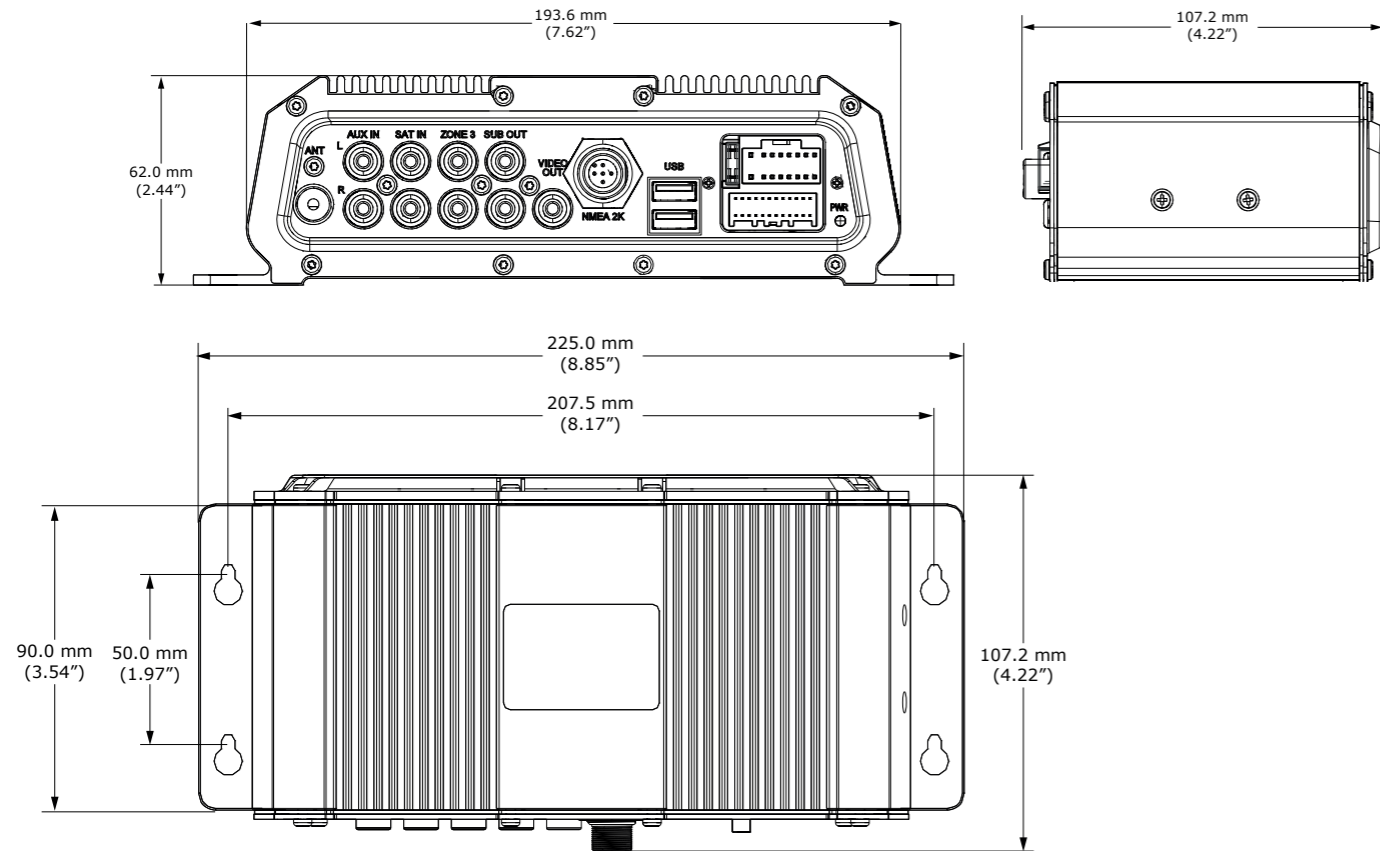
SIMRAD

B&G

SonicHub™ 2
6.5" Speaker
MOUNTING TEMPLATE



Dimensions



Parts included

Pack Part No.	Pack Contents										
	SonicHub™ 2	SonicHub™ 2 Mounting kit	SonicHub 2 Installation guide	SonicHub™ 2 Power cable	6' NMEA 2000 Cable	NMEA 2000 T-Connector	6.5" Speaker x2	Speaker mounting kit	Speaker mounting template	2 x 2 m Speaker connector cable	Warranty card
LOWRANCE 000-12301-001 SonicHub™ 2 2 x 6.5" Speakers	●	●	●	●	●	●	●	●	●	●	●
LOWRANCE SIMRAD B&G 000-12302-001 SonicHub™ 2	●	●	●	●	●	●					●
LOWRANCE 000-12304-001 2 x 6.5" Speakers							●	●	●	●	●
SIMRAD 000-12305-001 2 x 6.5" Speakers							●	●	●	●	●
B&G 000-12306-001 2 x 6.5" Speakers							●	●	●	●	●

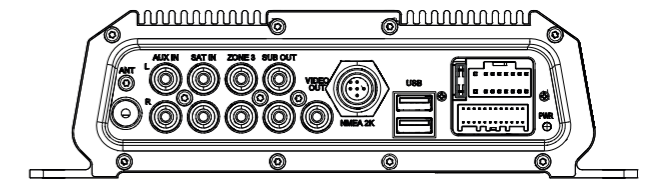
LOWRANCE

SIMRAD

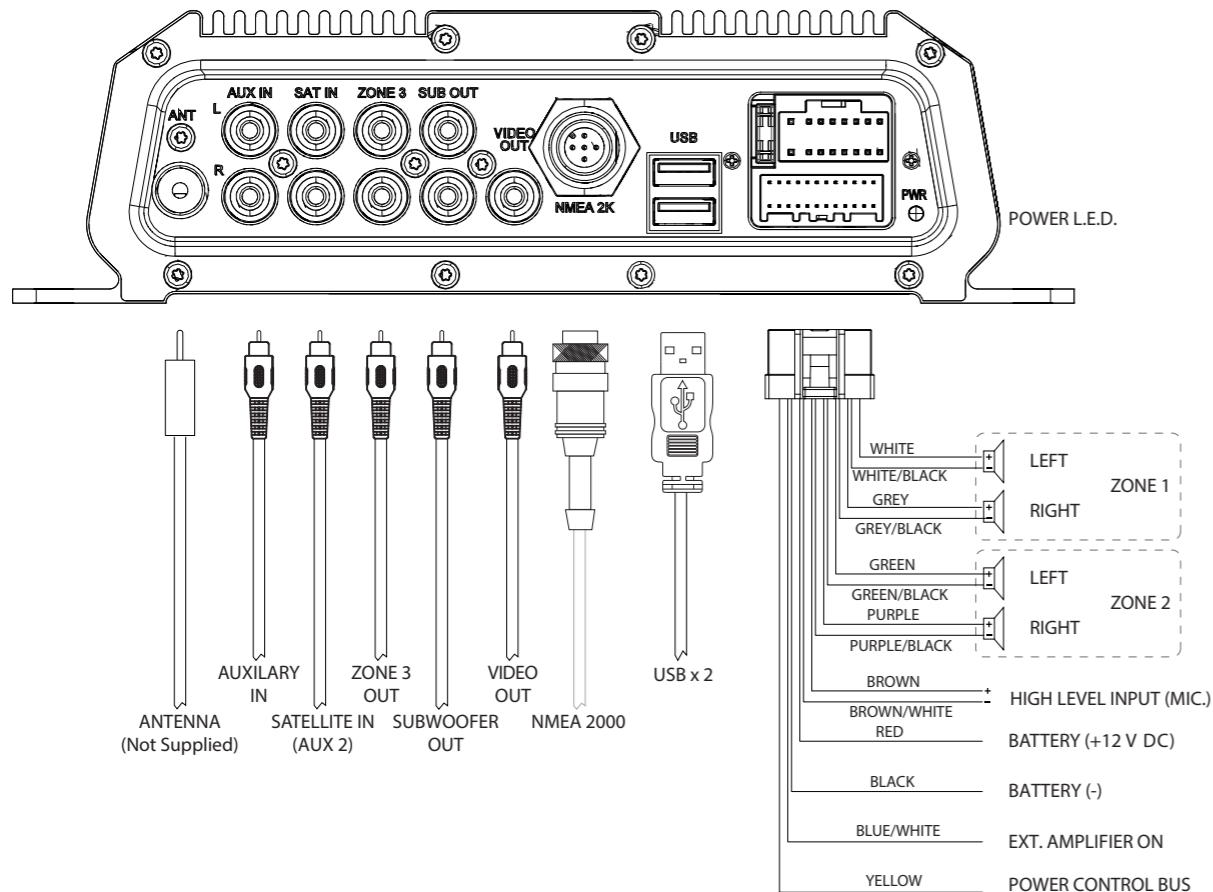
B&G

SonicHub™ 2
Marine Audio Server

INSTALLATION GUIDE



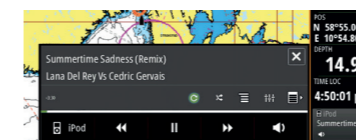
Wiring connectors



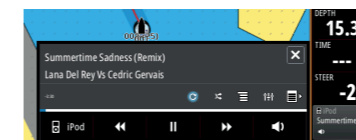
Operation by an MFD

The SonicHub™ 2 is operated by a compatible Multi-Function Display (MFD). Examples below.

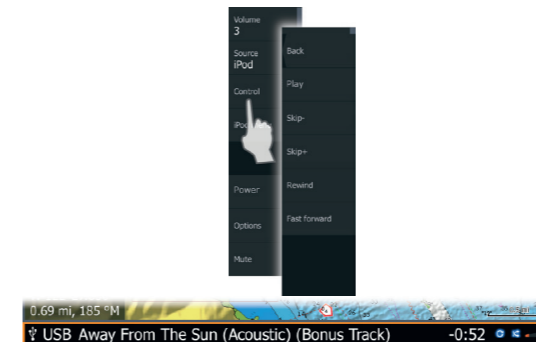
B&G - Zeus² & Zeus² Glass Helm



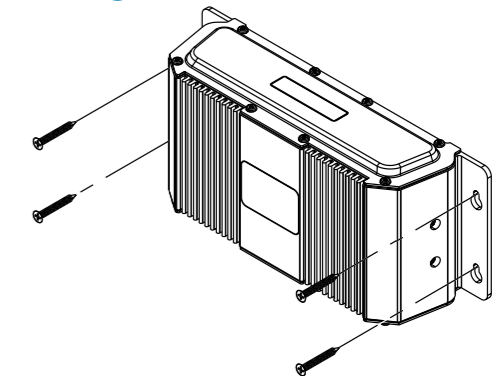
Simrad - NSS evo2 & NSO evo2



Lowrance - HDS Gen3 & HDS Gen2 Touch



Mounting



Information

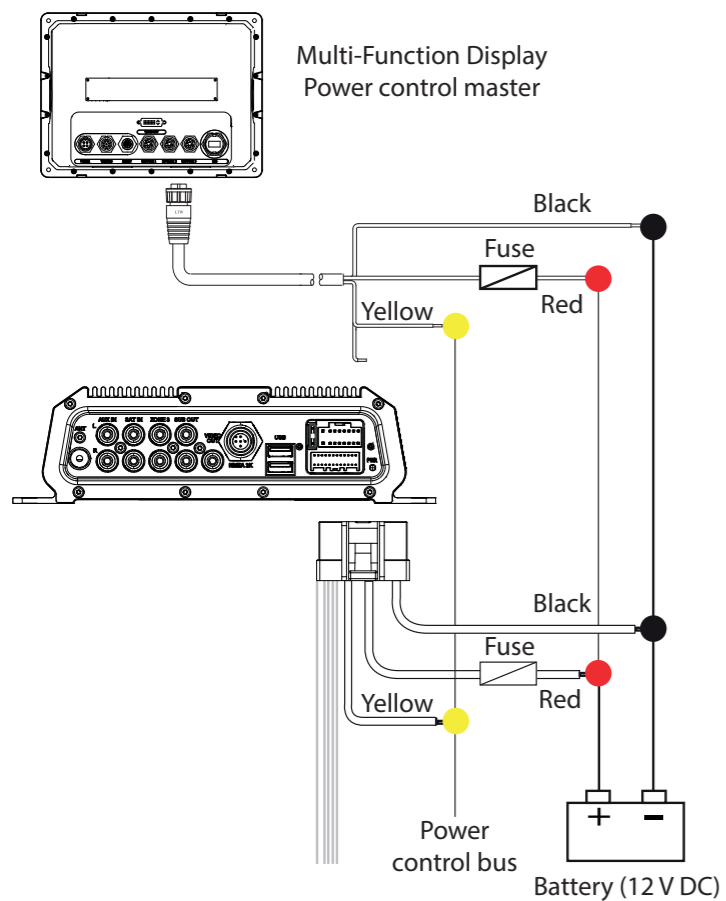
For compliance information see the regulatory statement included with this product. Visit one of the websites listed below for software updates and more information about SonicHub™ 2.

www.lowrance.com
www.simrad-yaching.com
www.bandg.com

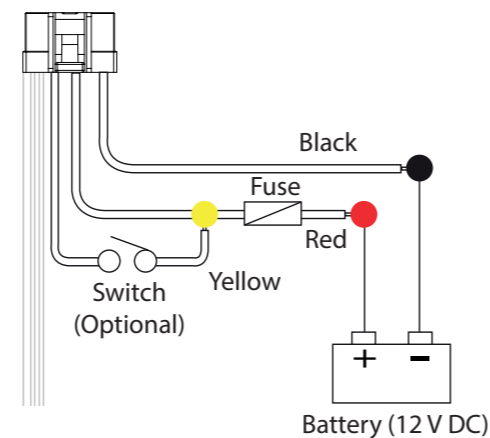
CE 1942

Copyright © 2015 Navico Holding AS.

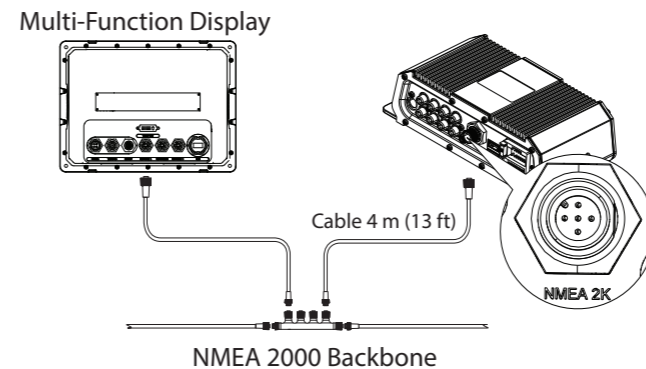
Preferred power control method



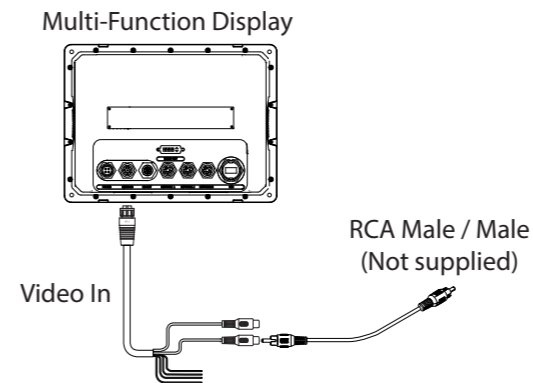
Alternative switched power control method



NMEA 2000 network connection



Video out connection



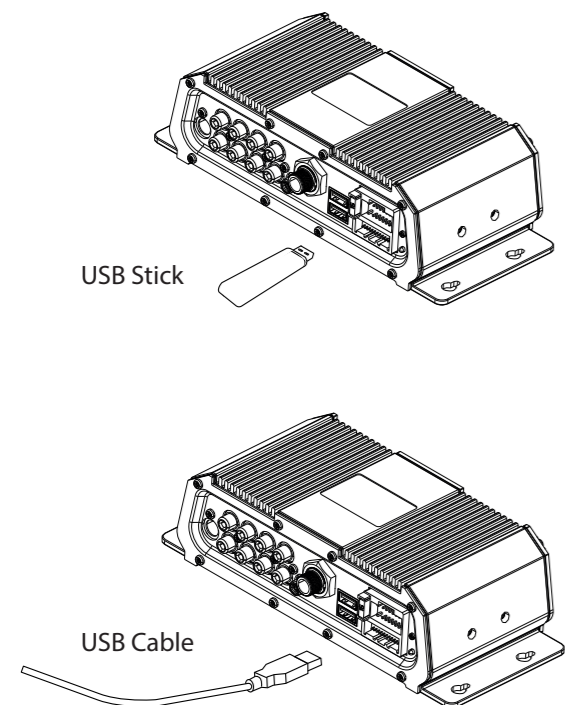
Connection via Bluetooth™

Refer to the relevant brand manual or website for Bluetooth connectivity instructions.

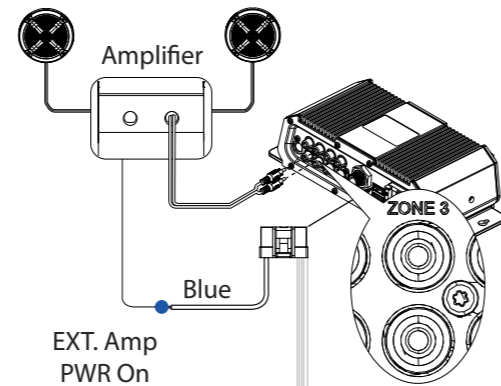
Specifications

General	
Dimensions (L x W x H)	107.2 x 225.0 x 62.0 mm (4.2 x 8.9 x 2.4")
Weight	0.88 kg (1.96 lbs)
Waterproof rating	IPX2
Temperature	Operating: -20 to 60°C (-4 to 140°F) Storage: -40 to 80°C (-40 to 176°F)
Compliance	FCC part B, Subpart J; CE per EN 60945; C-Tick
AM Tuner	
Tuning range	531 to 1611 kHz EU with 9 kHz/step; 530 to 1710 USA with 10 kHz/step
Usable sensitivity	28 dBuV = 25 uV
Auto seek sensitivity	<20 dBuV
Signal to noise ratio	50 dB @ 60 dBuV signal
Ultimate S/N ratio	>60 dB @ 80 dBuV signal
Distortion	<0.4% @ 60 dBuV signal, 80% modulation
Adjacent channel selectivity	33 dB @ Adjacent channel = 9 kHz offset, 30% modulation. SINAD = 26 dB
Alternate channel selectivity	50 dB @ Alternate channel = 18 kHz offset, 30% modulation. SINAD = 26 dB
FM Tuner	
Tuning range	JPN: 76.0 to 90.0 MHz EU: 87.5 to 108.0 MHz US: 87.9 to 107.9 MHz
Usable sensitivity	28 dBuV = 25 uV
Auto seek sensitivity	-6.5 dBuV = 0.5 uV for 30 dB S/N ratio
Signal to noise ratio	50 dB @ 10 dBuV signal
Ultimate S/N ratio	>70 dB @ 60 dBuV signal
Distortion	<0.1% @ 10 dBuV signal
Adjacent channel selectivity	30 dB @ SINAD = 30 dB, 40 dBuV signal strength. 400 Hz tone, 40 kHz deviation. Adjacent channel = 100 kHz offset, 1 kHz tone, 40 kHz deviation.
Alternate channel selectivity	63 dB @ SINAD = 30 dB, 40 dBuV signal strength. 400 Hz tone, 40 kHz deviation. Adjacent channel = 100 kHz offset, 1 kHz tone, 40 kHz deviation.
Audio Amplifier	
Output per channel	50 W
Total Output	200 W
Signal-to-noise ratio	95 dB
Total harmonic distortion (1W Output, 4 ohm load, 20Hz to 20kHz)	0.04% typical <0.1% max
Power supply requirements	10 to 16 V DC
Current (Muted)	<250 mA
Current (Max)	<20 A
AUX Input/Outputs	
AUX 1 In; SAT IN (AUX 2 In); RCA Output; Subwoofer Out	Line inputs 2 V peak to peak. High level inputs max 6 V, 2 V typical. Video out = PAL and NTSC
Antenna Connection	SonicHub input: Female External cable required: Male
USB/MP3	Industry Standard

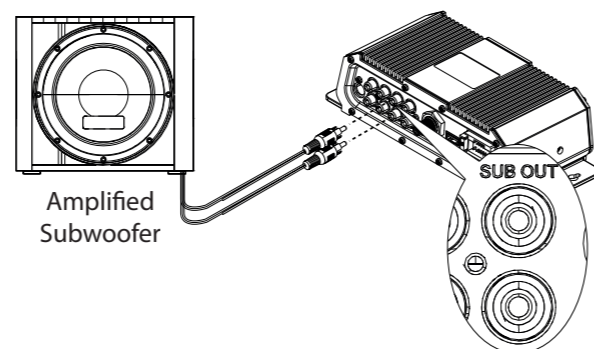
USB Connection



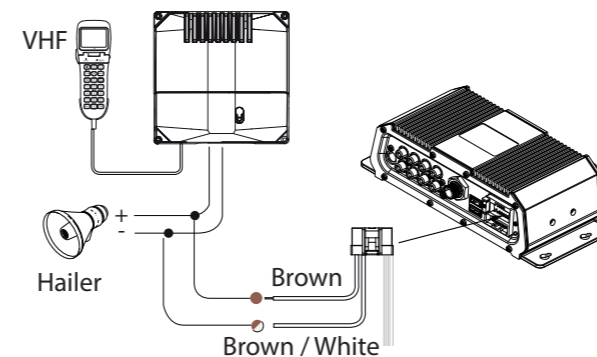
Speaker connection



Subwoofer connection



MIC connection



SAT IN (AUX 2) connection

