

NEC

User's Manual

IE-703089-MC-EM1

In-Circuit Emulator Option Board

Target Devices

V850/SC1™

V850/SC2™

V850/SC3™

Document No. U15776EJ1V0UM00 (1st edition)

Date Published June 2002 N CP(K)

© NEC Corporation 2002

Printed in Japan

[MEMO]

V850/SC1, V850/SC2, and V850/SC3 are trademarks of NEC Corporation.

Windows is either a registered trademark or a trademark of Microsoft Corporation in the United States and/or other countries.

PC/AT is a trademark of International Business Machines Corporation.

Ethernet is a trademark of Xerox Corporation.

- **The information in this document is current as of May, 2002. The information is subject to change without notice. For actual design-in, refer to the latest publications of NEC's data sheets or data books, etc., for the most up-to-date specifications of NEC semiconductor products. Not all products and/or types are available in every country. Please check with an NEC sales representative for availability and additional information.**

- No part of this document may be copied or reproduced in any form or by any means without prior written consent of NEC. NEC assumes no responsibility for any errors that may appear in this document.

- NEC does not assume any liability for infringement of patents, copyrights or other intellectual property rights of third parties by or arising from the use of NEC semiconductor products listed in this document or any other liability arising from the use of such products. No license, express, implied or otherwise, is granted under any patents, copyrights or other intellectual property rights of NEC or others.

- Descriptions of circuits, software and other related information in this document are provided for illustrative purposes in semiconductor product operation and application examples. The incorporation of these circuits, software and information in the design of customer's equipment shall be done under the full responsibility of customer. NEC assumes no responsibility for any losses incurred by customers or third parties arising from the use of these circuits, software and information.

- While NEC endeavours to enhance the quality, reliability and safety of NEC semiconductor products, customers agree and acknowledge that the possibility of defects thereof cannot be eliminated entirely. To minimize risks of damage to property or injury (including death) to persons arising from defects in NEC semiconductor products, customers must incorporate sufficient safety measures in their design, such as redundancy, fire-containment, and anti-failure features.

- NEC semiconductor products are classified into the following three quality grades:

"Standard", "Special" and "Specific". The "Specific" quality grade applies only to semiconductor products developed based on a customer-designated "quality assurance program" for a specific application. The recommended applications of a semiconductor product depend on its quality grade, as indicated below. Customers must check the quality grade of each semiconductor product before using it in a particular application.

"Standard": Computers, office equipment, communications equipment, test and measurement equipment, audio and visual equipment, home electronic appliances, machine tools, personal electronic equipment and industrial robots

"Special": Transportation equipment (automobiles, trains, ships, etc.), traffic control systems, anti-disaster systems, anti-crime systems, safety equipment and medical equipment (not specifically designed for life support)

"Specific": Aircraft, aerospace equipment, submersible repeaters, nuclear reactor control systems, life support systems and medical equipment for life support, etc.

The quality grade of NEC semiconductor products is "Standard" unless otherwise expressly specified in NEC's data sheets or data books, etc. If customers wish to use NEC semiconductor products in applications not intended by NEC, they must contact an NEC sales representative in advance to determine NEC's willingness to support a given application.

(Note)

(1) "NEC" as used in this statement means NEC Corporation and also includes its majority-owned subsidiaries.

(2) "NEC semiconductor products" means any semiconductor product developed or manufactured by or for NEC (as defined above).

M8E 00.4

Regional Information

Some information contained in this document may vary from country to country. Before using any NEC product in your application, please contact the NEC office in your country to obtain a list of authorized representatives and distributors. They will verify:

- Device availability
- Ordering information
- Product release schedule
- Availability of related technical literature
- Development environment specifications (for example, specifications for third-party tools and components, host computers, power plugs, AC supply voltages, and so forth)
- Network requirements

In addition, trademarks, registered trademarks, export restrictions, and other legal issues may also vary from country to country.

NEC Electronics Inc. (U.S.)

Santa Clara, California
Tel: 408-588-6000
800-366-9782
Fax: 408-588-6130
800-729-9288

NEC do Brasil S.A.

Electron Devices Division
Guarulhos-SP, Brasil
Tel: 11-6462-6810
Fax: 11-6462-6829

NEC Electronics (Europe) GmbH

Duesseldorf, Germany
Tel: 0211-65 03 01
Fax: 0211-65 03 327

• Sucursal en España

Madrid, Spain
Tel: 091-504 27 87
Fax: 091-504 28 60

• Succursale Française

Vélizy-Villacoublay, France
Tel: 01-30-67 58 00
Fax: 01-30-67 58 99

• Filiale Italiana

Milano, Italy
Tel: 02-66 75 41
Fax: 02-66 75 42 99

• Branch The Netherlands

Eindhoven, The Netherlands
Tel: 040-244 58 45
Fax: 040-244 45 80

• Branch Sweden

Taeby, Sweden
Tel: 08-63 80 820
Fax: 08-63 80 388

• United Kingdom Branch

Milton Keynes, UK
Tel: 01908-691-133
Fax: 01908-670-290

NEC Electronics Hong Kong Ltd.

Hong Kong
Tel: 2886-9318
Fax: 2886-9022/9044

NEC Electronics Hong Kong Ltd.

Seoul Branch
Seoul, Korea
Tel: 02-528-0303
Fax: 02-528-4411

NEC Electronics Shanghai, Ltd.

Shanghai, P.R. China
Tel: 021-6841-1138
Fax: 021-6841-1137

NEC Electronics Taiwan Ltd.

Taipei, Taiwan
Tel: 02-2719-2377
Fax: 02-2719-5951

NEC Electronics Singapore Pte. Ltd.

Novena Square, Singapore
Tel: 253-8311
Fax: 250-3583

INTRODUCTION

Target Readers This manual is intended for users who design and develop application systems using the V850/SC1, V850/SC2, and V850/SC3.

Purpose The purpose of this manual is to describe the proper operation of the IE-703089-MC-EM1 and its basic specifications.

Organization This manual is divided into the following parts.

- Overview
- Names and functions of components
- Cautions

How to Read This Manual It is assumed that the reader of this manual has general knowledge in the fields of electrical engineering, logic circuits, and microcontrollers. The IE-703089-MC-EM1 is used connected to the IE-703002-MC in-circuit emulator. This manual explains the basic setup procedure and switch settings of the IE-703002-MC when it is connected to the IE-703089-MC-EM1. For the names and functions of parts, and the connection of elements, refer to the **IE-703002-MC User's Manual (U11595E)**.

To learn about the basic specifications and operation methods
→ Read this manual in the order of the **CONTENTS**.

To learn the operation methods and command functions, etc., of the IE-703002-MC and IE-703089-MC-EM1
→ Read the user's manual of the debugger (sold separately) that is used.

Conventions

Note: Footnote for item marked with **Note** in the text

Caution: Information requiring particular attention

Remark: Supplementary information

Numeral representation: Binary ... xxxx or xxxxB
Decimal ... xxxx
Hexadecimal ... xxxxH

Prefix indicating the power of 2 (address space, memory capacity):
K (kilo): $2^{10} = 1024$
M (mega): $2^{20} = 1024^2$

Terminology The meanings of terms used in this manual are listed below.

| | |
|---------------|---|
| Emulation CPU | The CPU that executes the program prepared by the user in the emulator. |
| Target device | The device that is targeted for emulation. |
| Target system | The system (user-built system) that is targeted for debugging. This includes the target program and user-configured hardware. |
| IE system | The combination of the IE-703002-MC and IE-703089-MC-EM1 |

Related Documents

When using this manual, refer to the following manuals.

The related documents indicated in this publication may include preliminary versions. However, preliminary versions are not marked as such.

○ Documents related to development tools (user's manuals)

| Document Name | | Document Number |
|---|--|-----------------|
| IE-703002-MC In-circuit emulator | | U11595E |
| IE-703089-MC-EM1 In-circuit emulator option board | | This manual |
| CA850 C Compiler package Ver. 2.40 | Operation | To be prepared |
| | C Language | U16054E |
| | PM Plus | To be prepared |
| | Assembly Language | U16042E |
| ID850 Integrated debugger Ver.2.40 | Operation Windows™ based | U15181E |
| SM850 System simulator Ver.2.40 | Operation Windows based | U15182E |
| SM850 System simulator Ver.2.00 or later | External Part User Open Interface Specifications | U14873E |
| RX850 Real-time OS Ver.3.13 or later | Basics | U13430E |
| | Installation | U13410E |
| | Technical | U13431E |
| RX850 Pro Real-time OS Ver.3.13 | Basics | U13773E |
| | Installation | U13774E |
| | Technical | U13772E |
| RD850 Task debugger Ver.3.01 | | U13737E |
| RD850 Pro Task debugger Ver.3.01 | | U13916E |
| AZ850 System performance analyzer Ver.3.0 | | U14410E |
| PG-FP4 Flash Memory Programmer | | U15260E |

CONTENTS

| | |
|--|-----------|
| CHAPTER 1 OVERVIEW | 10 |
| 1.1 Hardware Configuration | 10 |
| 1.2 Features (When Connected to IE-703002-MC) | 11 |
| 1.3 Function Specifications (When Connected to IE-703002-MC) | 11 |
| 1.4 System Configuration | 12 |
| 1.5 Contents in Carton | 13 |
| 1.6 Connection Between IE-703002-MC and IE-703089-MC-EM1 | 15 |
| | |
| CHAPTER 2 NAMES AND FUNCTIONS OF COMPONENTS | 19 |
| 2.1 Component Names and Functions of IE-703089-MC-EM1 | 20 |
| 2.2 Clock Settings | 23 |
| 2.2.1 Main clock setting | 23 |
| 2.2.2 Subclock setting | 24 |
| 2.3 Illegal Access Detection ROM Setting | 25 |
| 2.4 CPU Operation Voltage Range Switching Setting | 25 |
| 2.5 Address Output Setting of Separate Bus | 26 |
| | |
| CHAPTER 3 FACTORY SETTINGS | 27 |
| | |
| CHAPTER 4 CAUTIONS | 28 |
| 4.1 V _{DD} and PORTV _{DD} of Target System | 28 |
| 4.2 I/O Signal | 29 |
| 4.3 V _{PP} Signal | 29 |
| 4.4 NMI Signal Mask Function | 29 |
| | |
| CHAPTER 5 DIFFERENCES BETWEEN TARGET DEVICE AND TARGET INTERFACE CIRCUIT | 30 |
| | |
| APPENDIX PACKAGE DRAWINGS | 33 |

LIST OF FIGURES

| Figure No. | Title | Page |
|------------|--|------|
| 1-1 | System Configuration | 12 |
| 1-2 | Contents in Carton | 13 |
| 1-3 | Accessories | 14 |
| 1-4 | Connection Between IE-703002-MC and IE-703089-MC-EM1 | 16 |
| 1-5 | Connection of IE-703089-MC-EM1 and SWEX-144SD-1 | 18 |
| 2-1 | IE-703089-MC-EM1 | 20 |
| 2-2 | SW5 | 26 |
| 4-1 | Schematic Diagram of Power Supply Acquisition | 28 |
| 4-2 | I/O Signal Flow Path | 29 |
| 5-1 | Equivalent Circuit of Emulation Circuit | 31 |

LIST OF TABLES

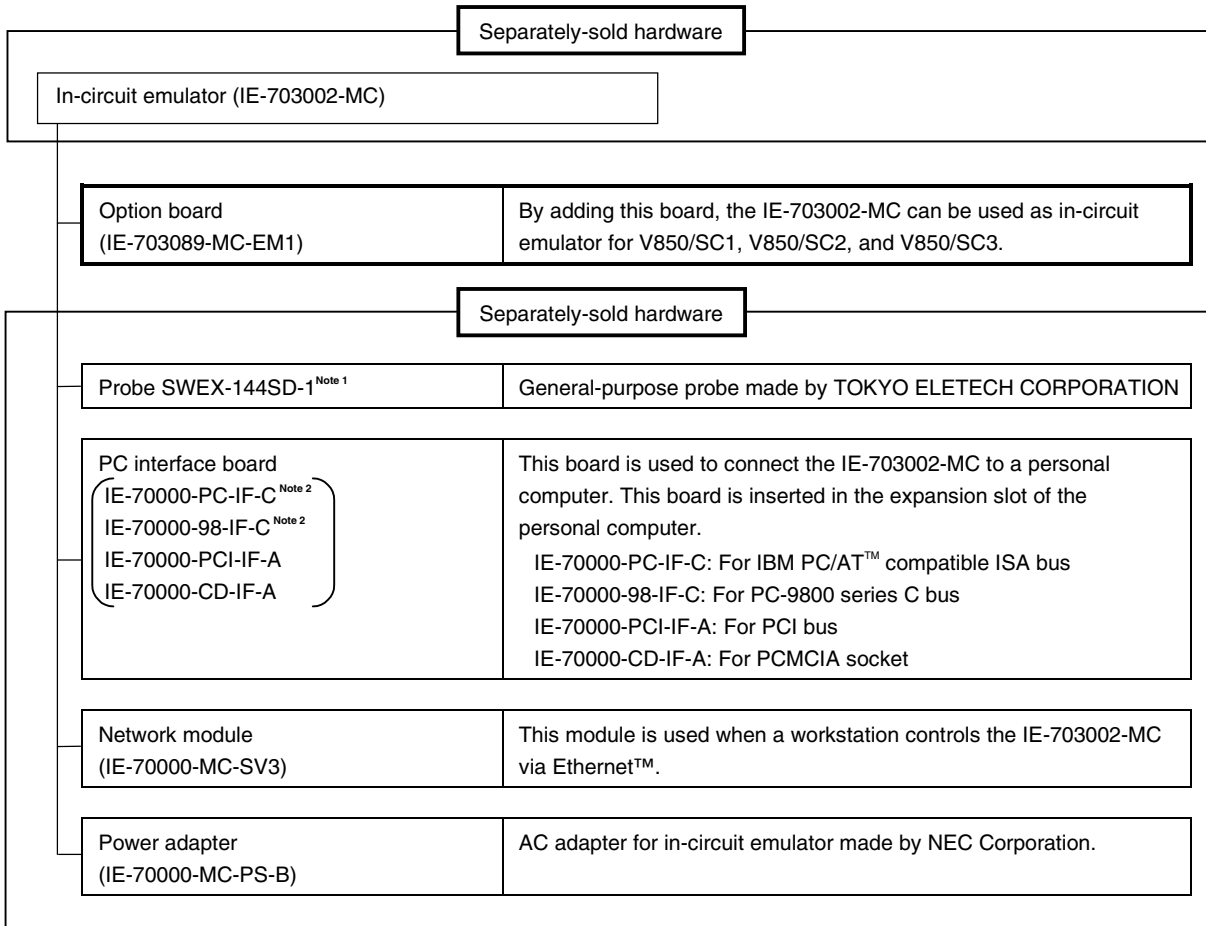
| Table No. | Title | Page |
|-----------|--|------|
| 2-1 | Main Clock Setting..... | 23 |
| 2-2 | Subclock Setting..... | 24 |
| 2-3 | JP1 Setting in IE-703002-MC..... | 25 |
| 2-4 | JP3 and JP4 Setting in IE-703002-MC..... | 25 |
| 2-5 | SW5 Setting..... | 26 |

CHAPTER 1 OVERVIEW

The IE-703089-MC-EM1 is an option board for the IE-703002-MC in-circuit emulator. By connecting the IE-703089-MC-EM1 and IE-703002-MC, hardware and software can be debugged efficiently in system development using the V850/SC1, V850/SC2, and V850/SC3.

In this manual, the basic setup procedure and switch settings of the IE-703002-MC when the IE-703089-MC-EM1 is connected are described. For the names and functions of the parts of the IE-703002-MC, and for the connection of elements, refer to the **IE-703002-MC User's Manual (U11595E)**.

1.1 Hardware Configuration



- Notes**
1. For further information, contact Daimaru Kogyo Co., Ltd.
Tokyo Electronics Department (TEL +81-3-3820-7112)
Osaka Electronics Department (TEL +81-6-6244-6672)
 2. Cannot be used for PC98-NX series

1.2 Features (When Connected to IE-703002-MC)

- Maximum operating frequency: 20 MHz (at 5.0 V operation)
- The following pins can be masked.
 $\overline{\text{RESET}}$, $\overline{\text{NMI}}$, $\overline{\text{WAIT}}$, $\overline{\text{HLDRQ}}$
- External bus interface
- Connected to target system via following method:
 - Attach a probe (sold separately) to the pod tip for connection
- The dimensions of the IE-703089-MC-EM1 are as follows.

| Parameter | | Value |
|---|--------|---|
| Power consumption (max. value at 5.0 V supply voltage) | | 2.5 W (at 20 MHz operation frequency) ^{Note} |
| External dimensions (Refer to APPENDIX PACKAGE DRAWINGS) | Height | 50 mm |
| | Length | 180 mm |
| | Width | 250 mm |
| Weight | | 300 g |

Note 12.5 W when the IE-703002-MC is connected to the IE-703089-MC-EM1

1.3 Function Specifications (When Connected to IE-703002-MC)

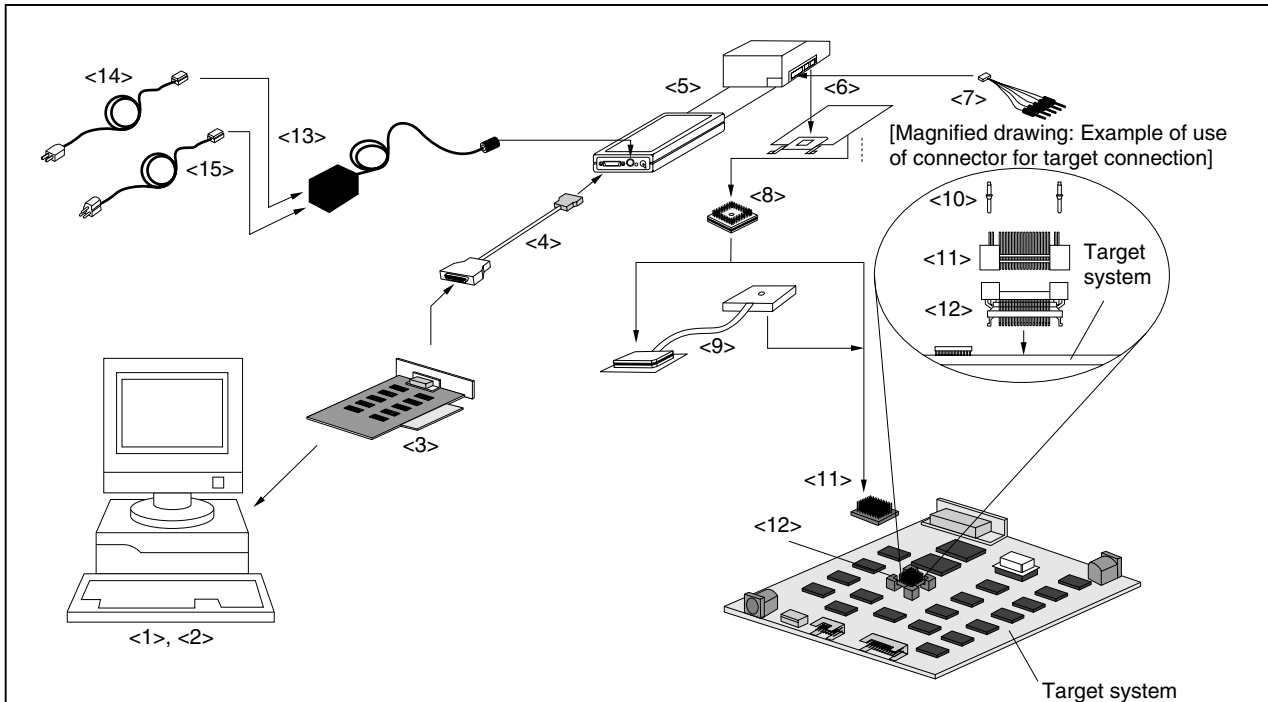
| Parameter | | Specification | |
|--|-----------------|---|------|
| Emulation memory capacity | Internal ROM | 512 KB | |
| | External memory | In ROMless mode | 2 MB |
| | | When using iROM | 1 MB |
| Coverage memory capacity for execution/pass detection | Internal ROM | 512 KB | |
| | External memory | In ROMless mode | 2 MB |
| | | When using iROM | 1 MB |
| Coverage memory capacity for memory access detection | External memory | 1 MB | |
| Coverage memory capacity for branching entry number counting | Internal ROM | 512 KB | |
| | External memory | In ROMless mode | 2 MB |
| | | When using iROM | 1 MB |
| Trace memory capacity | | 150 bits × 32 K frames | |
| Time measurement function | | Measurement possible by time tag or 3 timers | |
| External logic probe | | 4-bit external trace possible | |
| | | Event setting of trace/break possible | |
| Break function | | Event break | |
| | | Step execution break | |
| | | Forcible break | |
| | | Fail safe break <ul style="list-style-type: none"> • Illegal access to peripheral I/O • Access to guard space • Write to ROM space | |

Caution Some of the functions may not be supported, depending on the debugger used.

1.4 System Configuration

The system configuration when connecting the IE-703002-MC to the IE-703089-MC-EM1 and a personal computer is shown below.

Figure 1-1. System Configuration



Remark

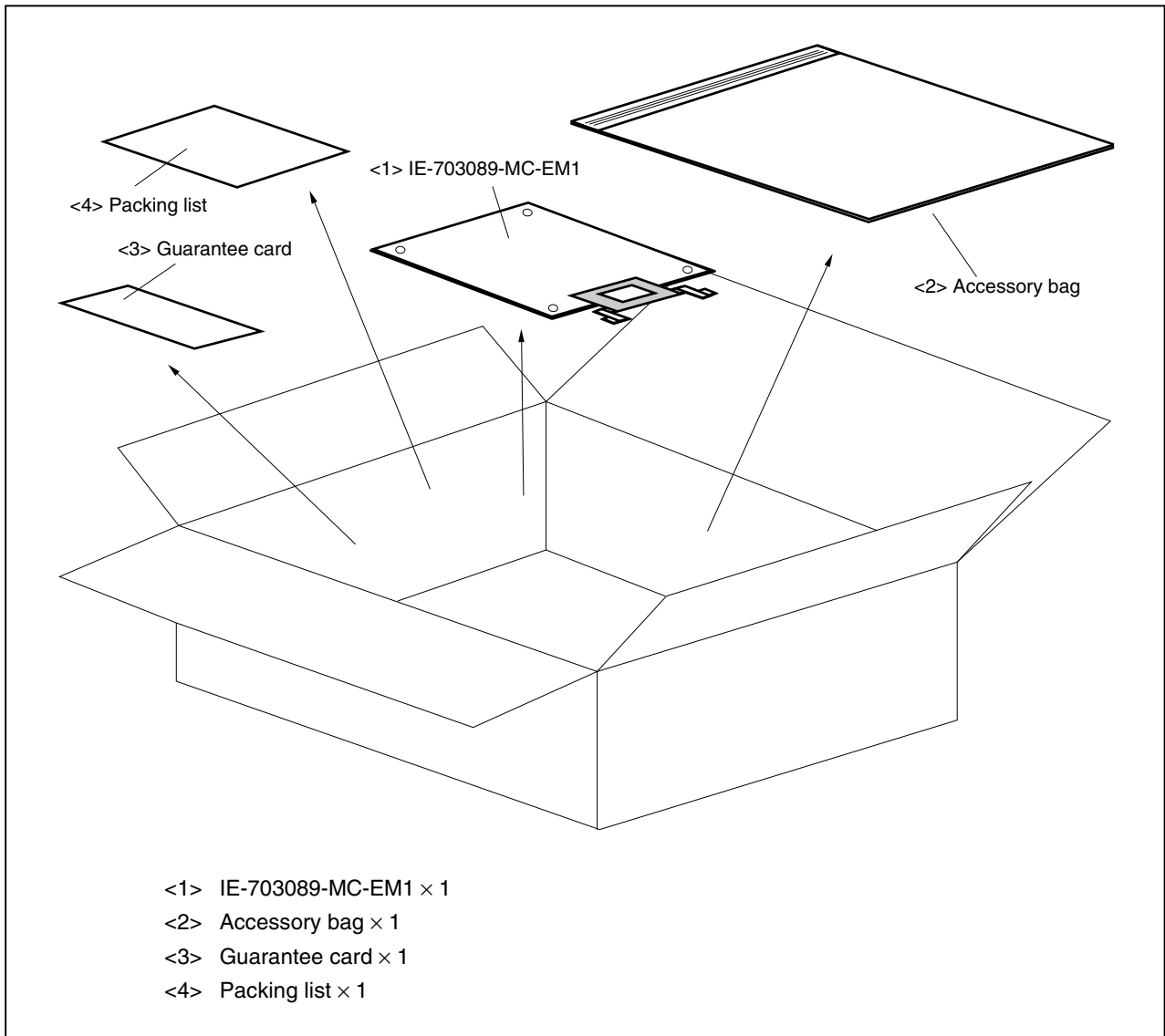
- <1> Personal computer
- <2> Debugger (ID850: Sold separately)
- <3> PC interface board
(IE-70000-98-IF-C/IE-70000-PC-IF-C, IE-70000-PCI-IF-A/IE-70000-CD-IF-A: Sold separately)
- <4> PC interface cable (included with IE-703002-MC)
- <5> In-circuit emulator (IE-703002-MC: Sold separately)
- <6> In-circuit emulator option board (IE-703089-MC-EM1: This product)
- <7> External logic probe (included with IE-703002-MC)
- <8> Socket for target connection (YQSOCKET144SDN: Sold separately)
- <9> Probe (SWEX-144SD-1)
- <10> Guide screw (YQGUIDE: Included)
- <11> Connector for emulator connection (YQPACK144SD: Included)
- <12> Connector for target connection (NQPACK144SD: Included)
- <13> Power adapter (IE-70000-MC-PS-B: Sold separately)
- <14> AC100V power cable (sold separately: Included with IE-70000-MC-PS-B)
- <15> AC220V power cable (sold separately: Included with IE-70000-MC-PS-B)

1.5 Contents in Carton

The carton of the IE-703089-MC-EM1 contains the main unit, guarantee card, packing list, and accessory bag. Make sure that the accessory bag contains this manual and the connector accessories. If there are missing or damaged items, please contact an NEC sales representative or an NEC distributor.

Return the guarantee card included in the carton after filling in all the items.

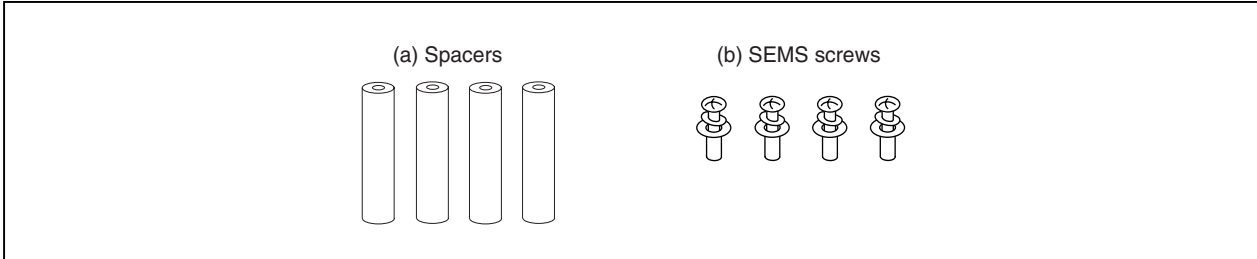
Figure 1-2. Contents in Carton



Check that the accessory bag contains this manual, an accessory list (× 1), and the following accessories.

- (a) Spacers × 4
- (b) SEMS screws × 4

Figure 1-3. Accessories



1.6 Connection Between IE-703002-MC and IE-703089-MC-EM1

The procedure for connecting the IE-703002-MC and IE-703089-MC-EM1 is described below.

Caution Connect carefully so as not to break or bend connector pins.

- <1> Remove the pod cover (lower) of the IE-703002-MC.
- <2> Set the PGA socket lever of the IE-703089-MC-EM1 to the OPEN position as shown in Figure 1-4 (b).
- <3> Connect the IE-703089-MC-EM1 to the PGA socket at the back of the IE-703002-MC pod (refer to Figure 1-4 (c)). When connecting, position the IE-703002-MC and IE-703089-MC-EM1 so that they are horizontal.
- <4> Set the PGA socket lever of the IE-703089-MC-EM1 to the CLOSE position as shown in Figure 1-4 (b).
- <5> When connecting the probe (SWEX-144SD-1) to the IE-703089-MC-EM1, attach it to CN1 on the rear of the IE-703089-MC-EM1, aligning each pin 1 (refer to **Figure 1-5**).
- <6> Place the supplied spacers in the four corner holes of the IE-703089-MC-EM1. Fix the spacers with the supplied SEMS screws.
- <7> Fix the IE-703002-MC pod cover (upper) with nylon rivets.

Figure 1-4. Connection Between IE-703002-MC and IE-703089-MC-EM1 (1/2)

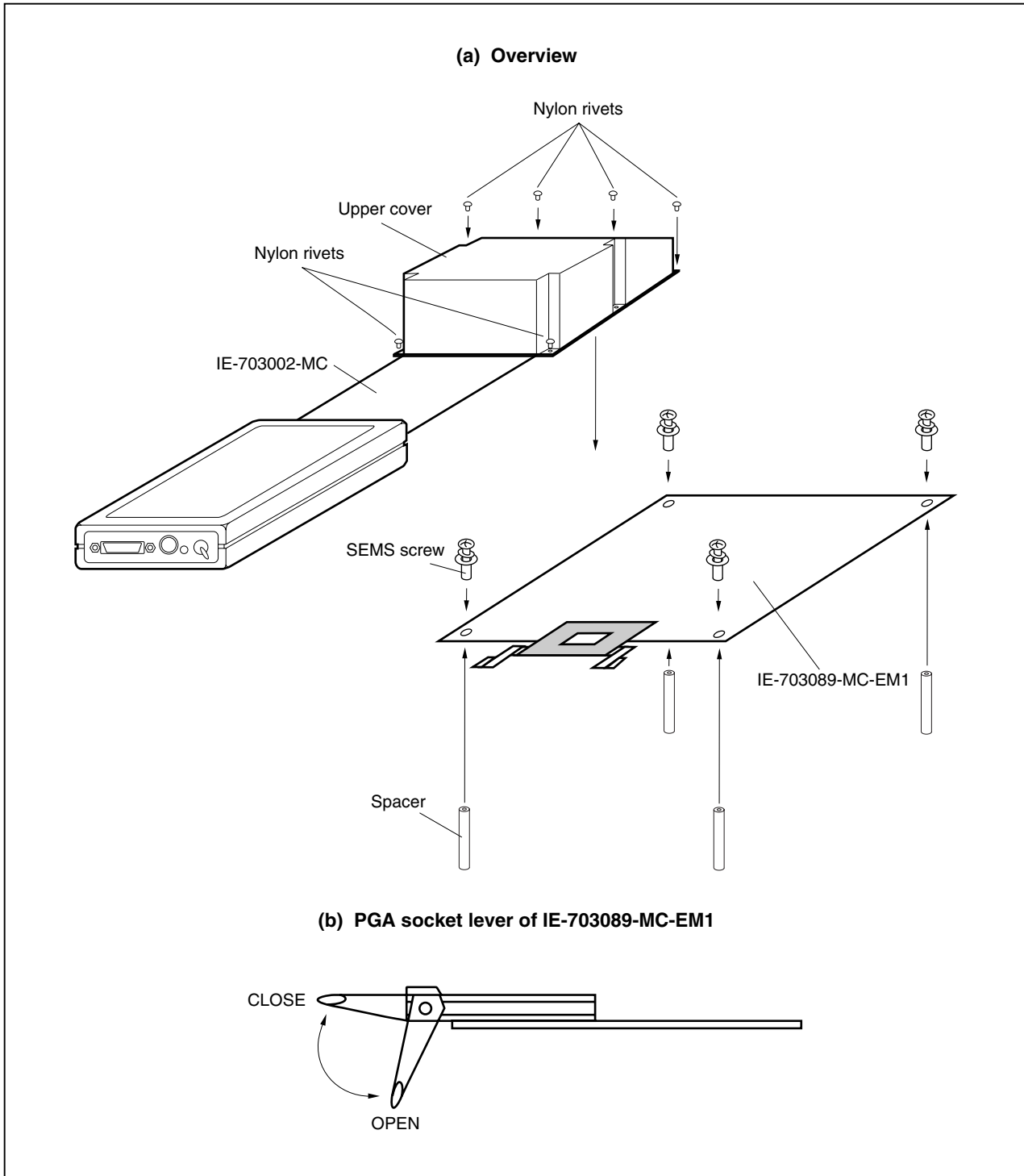


Figure 1-4. Connection Between IE-703002-MC and IE-703089-MC-EM1 (2/2)

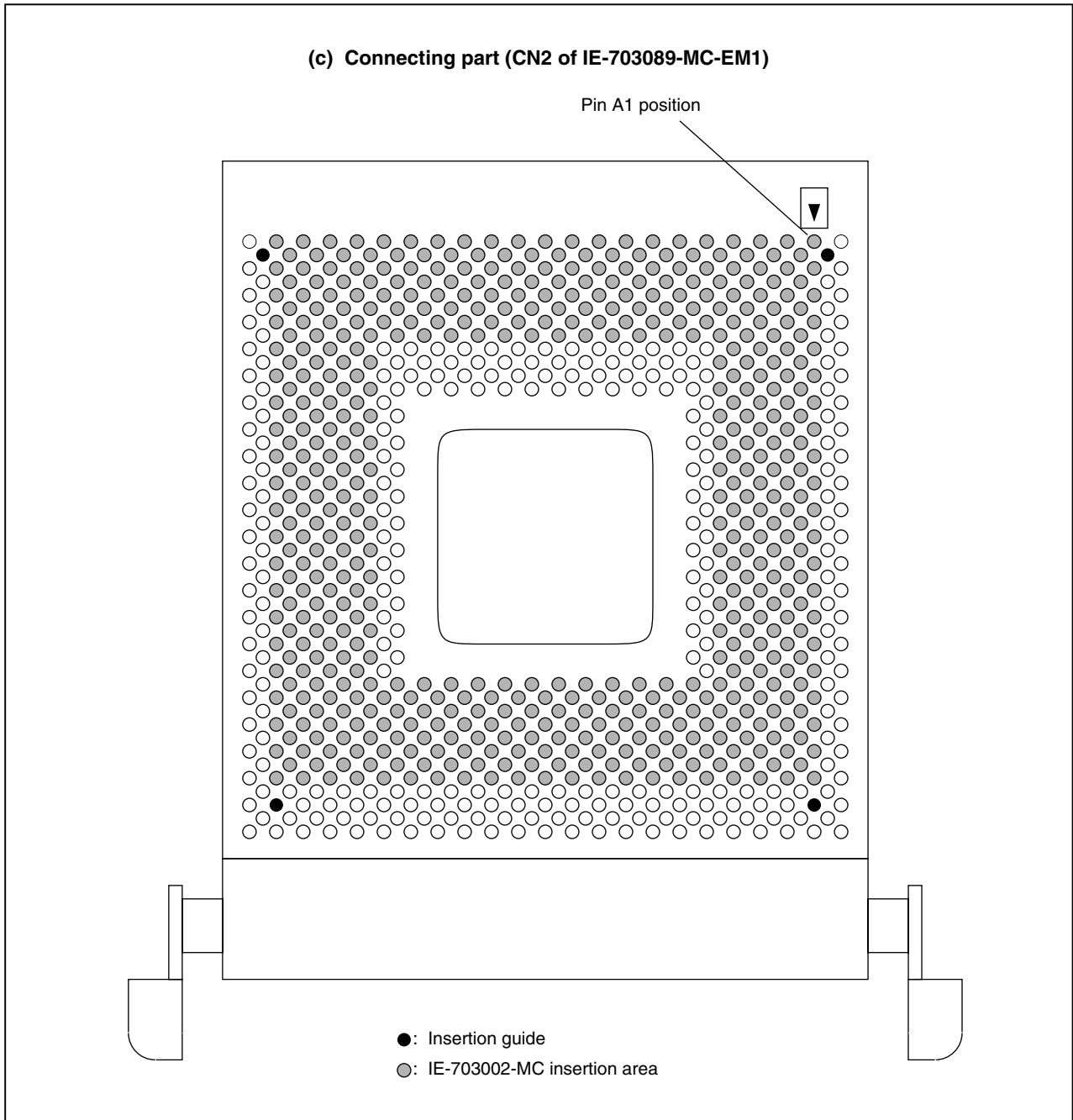
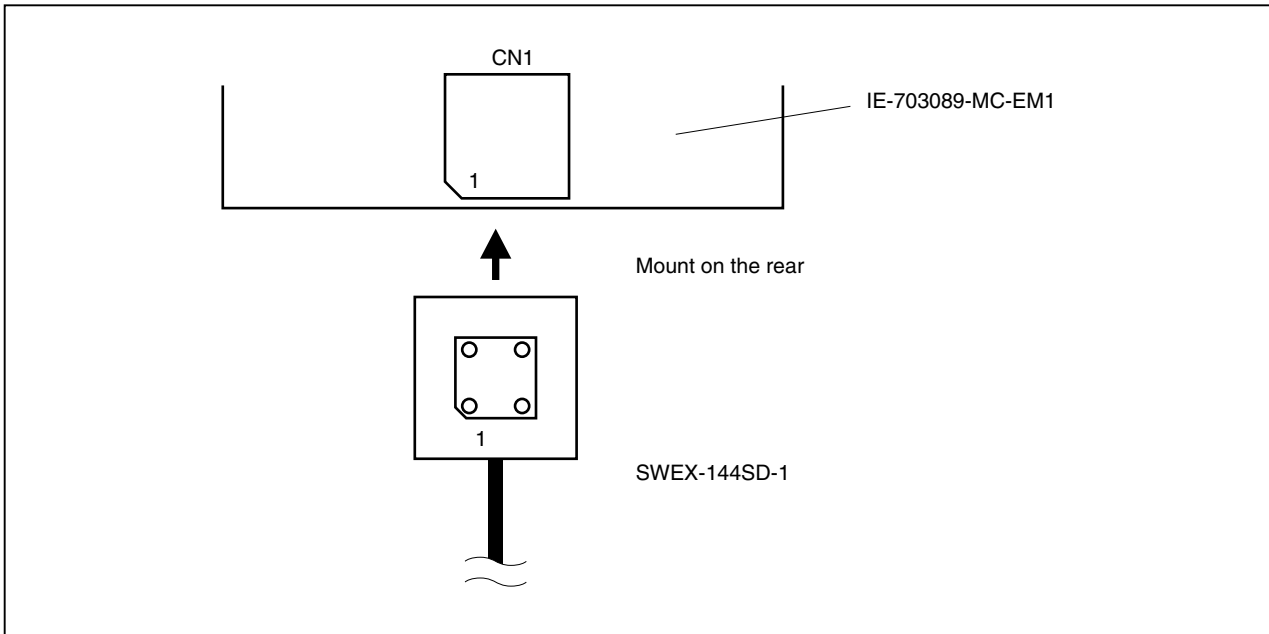


Figure 1-5. Connection of IE-703089-MC-EM1 and SWEX-144SD-1



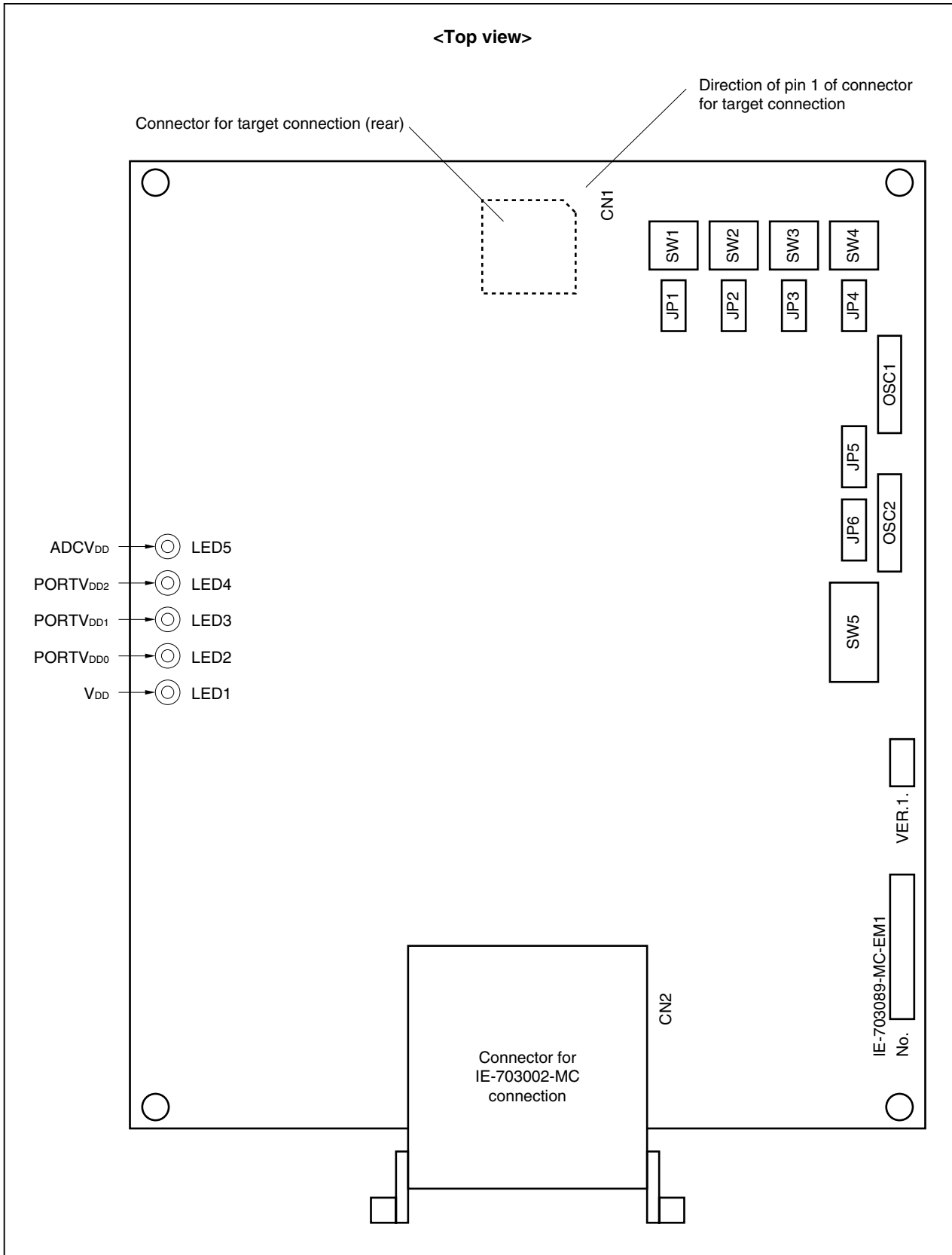
CHAPTER 2 NAMES AND FUNCTIONS OF COMPONENTS

This chapter describes the names, functions, and switch settings of components in the IE-703089-MC-EM1.

For the details of the pod, jumper, and switch positions, etc., refer to the **IE-703002-MC User's Manual (U11595E)**.

2.1 Component Names and Functions of IE-703089-MC-EM1

Figure 2-1. IE-703089-MC-EM1



(1) OSC1

OSC1 is a socket for the main clock crystal oscillator and for mounting capacitors. (For details, refer to **2.2.1 Main clock setting**).

(2) JP5

JP5 is a jumper to switch the main clock supply source. (For details, refer to **2.2.1 Main clock setting**.)

(3) OSC2

OSC2 is a socket for the main clock crystal oscillator and for mounting capacitors. (For details, refer to **2.2.2 Subclock setting**.)

(4) JP6

JP6 is a jumper to switch the subclock supply source. (For details, refer to **2.2.2 Subclock setting**.)

(5) JP1

Reserved. Use this jumper with the factory setting (2-3 shorted).

(6) SW1

Reserved. Use this switch with the factory setting (3-6 side).

(7) JP2

Reserved. Use this jumper with the factory setting (2-3 shorted).

(8) SW2

Reserved. Use this switch with the factory setting (3-6 side).

(9) JP3

Reserved. Use this jumper with the factory setting (2-3 shorted).

(10) SW3

Reserved. Use this switch with the factory setting (3-6 side).

(11) JP4

Reserved. Use this jumper with the factory setting (2-3 shorted).

(12) SW4

Reserved. Use this switch with the factory setting (3-6 side).

(13) SW5

SW5 is a switch to output the addresses (A1 to A15) of the separate bus. (For details, refer to **2.5 Address Output Setting of Separate Bus**.)

(14) LED1 to LED5

Lit: Power is supplied by the target system.

Not lit: Power is supplied by the power supply inside the emulator.

LED1: V_{DD}

LED2: $PORTV_{DD0}$

LED3: $PORTV_{DD1}$

LED4: $PORTV_{DD2}$

LED5: $ADCV_{DD}$

(15) Connector for IE-703002-MC connection (CN2)

CN2 is a connector to connect the IE-703089-MC-EM1 to the IE-703002-MC.

(16) Connector for target connection (CN1)

CN1 is a connector to connect the IE-703089-MC-EM1 to the probe.

2.2 Clock Settings

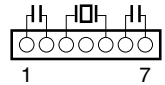
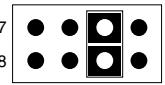


This section describes the clock settings.

For the position of OSC1 and JP5 in the IE-703089-MC-EM1, refer to **Figure 2-1**.

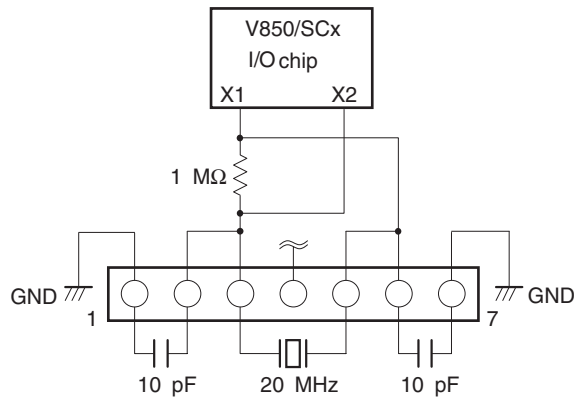
For the jumper and switch positions in the IE-703002-MC, refer to the **IE-703002-MC User's Manual (U11595E)**.

2.2.1 Main clock setting

Table 2-1. Main Clock Setting

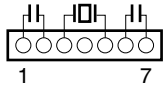
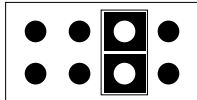
| Emulator Usage Environment | Clock Supply Method | IE-703089-MC-EM1 Setting | | IE-703002-MC Setting | | |
|--|---------------------|---|---|----------------------|-----|---|
| | | OSC1 | JP5 | SW1 | SW2 | JP2 |
| When using emulator as standalone unit | Internal clock |  |  | ON | OFF |  |
| When using emulator with target system | Internal clock | (Oscillator mounted) | (3-4 shorted: Fixed) | | |  |

Caution Emulation cannot be performed by inputting a clock from the target system.
The specifications of OSC1 are as follows.

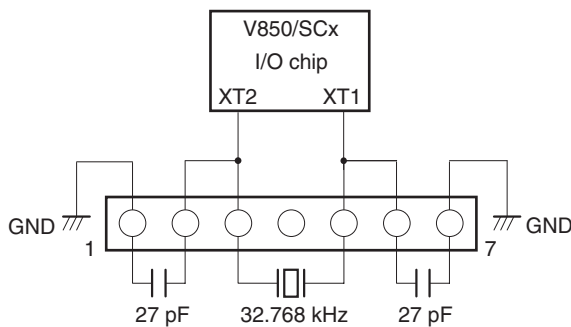


2.2.2 Subclock setting

Table 2-2. Subclock Setting

| Emulator Usage Environment | Clock Supply Method | IE-703089-MC-EM1 Setting | |
|--|----------------------------------|---|---|
| | | OSC2 ^{Note 2} | JP6 |
| When using emulator as standalone unit | Internal clock ^{Note 1} |  (Oscillator mounted) |  (3-4 shorted: Fixed) |
| When using emulator with target system | Internal clock ^{Note 1} | | |

- Notes**
1. A clock input by an oscillator cannot be used for the internal clock.
 2. To use a subclock frequency other than 32.768 kHz, remove the resonator on OSC2 and mount an oscillator.
The specifications of OSC2 are as follows.

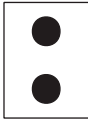


Caution Emulation cannot be performed by inputting a clock from the target system.

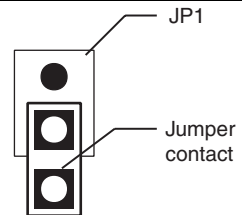
2.3 Illegal Access Detection ROM Setting

If using the IE-703002-MC for an in-circuit emulator for the V850/SCx by connecting the IE-703089-MC-EM1, set JP1 of the IE-703002-MC as follows.

Table 2-3. JP1 Setting in IE-703002-MC

| JP1 | | Description |
|----------------------|---|--|
| Open ^{Note} |  | Illegal access detection ROM (mounted on IE-703089-MC-EM1) for V850/SCx is used. |

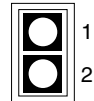
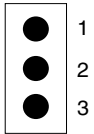
Note When JP1 is set to open, keep the removed jumper contact attached to one pin as shown in the drawing on the right.



2.4 CPU Operation Voltage Range Switching Setting

If using the IE-703002-MC for an in-circuit emulator for the V850/SCx by connecting the IE-703089-MC-EM1, set JP3 and JP4 of the IE-703002-MC as follows.

Table 2-4. JP3 and JP4 Setting in IE-703002-MC

| JP3, JP4 | | Description |
|----------|--|--|
| JP3 |  (Shorted) | The operation voltage range of the IE-703002-MC is 3.0 to 5.5 V. |
| JP4 |  (Open) | The power supply for PORTV _{DD} is generated on the IE-703089-MC-EM1. |

2.5 Address Output Setting of Separate Bus

When using the separate bus function while debugging using the IE-703089-MC-EM1, switching to the separate bus output function is not possible by setting the memory address output register (MAM) by software.

Use DIP switch SW5 to output the address of the separate bus function while debugging using the IE-703089-MC-EM1.

The switches of SW5 and their corresponding ports are shown in Table 2-5.

Figure 2-2. SW5

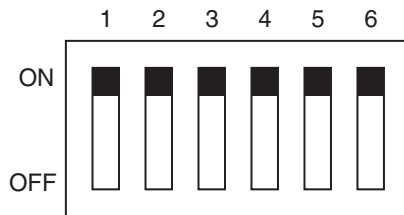
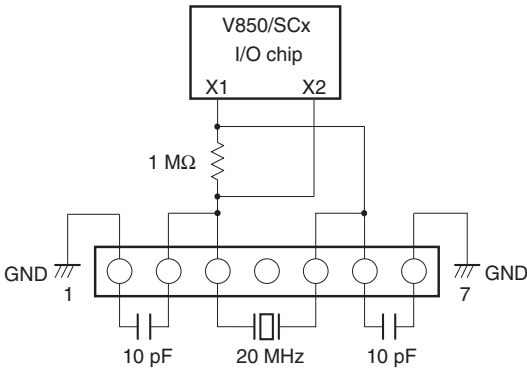
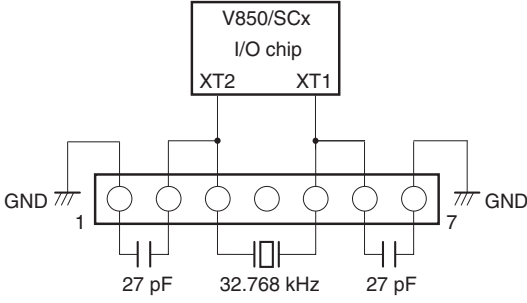
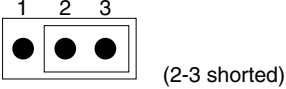
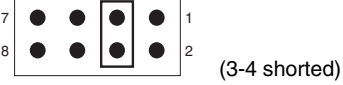
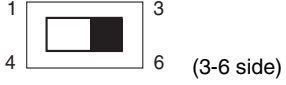



Table 2-5. SW5 Setting

| Switch | Setting | Selection of Alternate-Function Pin |
|--------|---------|---|
| 1 | ON | P113 to P110 (port mode) |
| | OFF | A4 to A1 output to P113 to P110 (memory address output function of separate bus) |
| 2 | ON | P103 to P100 (port mode) |
| | OFF | A8 to A5 output to P103 to P100 (memory address output function of separate bus) |
| 3 | ON | P107 to P104 (port mode) |
| | OFF | A12 to A9 output to P107 to P104 (memory address output function of separate bus) |
| 4 | ON | P34 (port mode) |
| | OFF | A13 output to P34 (memory address output function of separate bus) |
| 5 | ON | P35 (port mode) |
| | OFF | A14 output to P35 (memory address output function of separate bus) |
| 6 | ON | P33 (port mode) |
| | OFF | A15 output to P33 (memory address output function of separate bus) |

CHAPTER 3 FACTORY SETTINGS

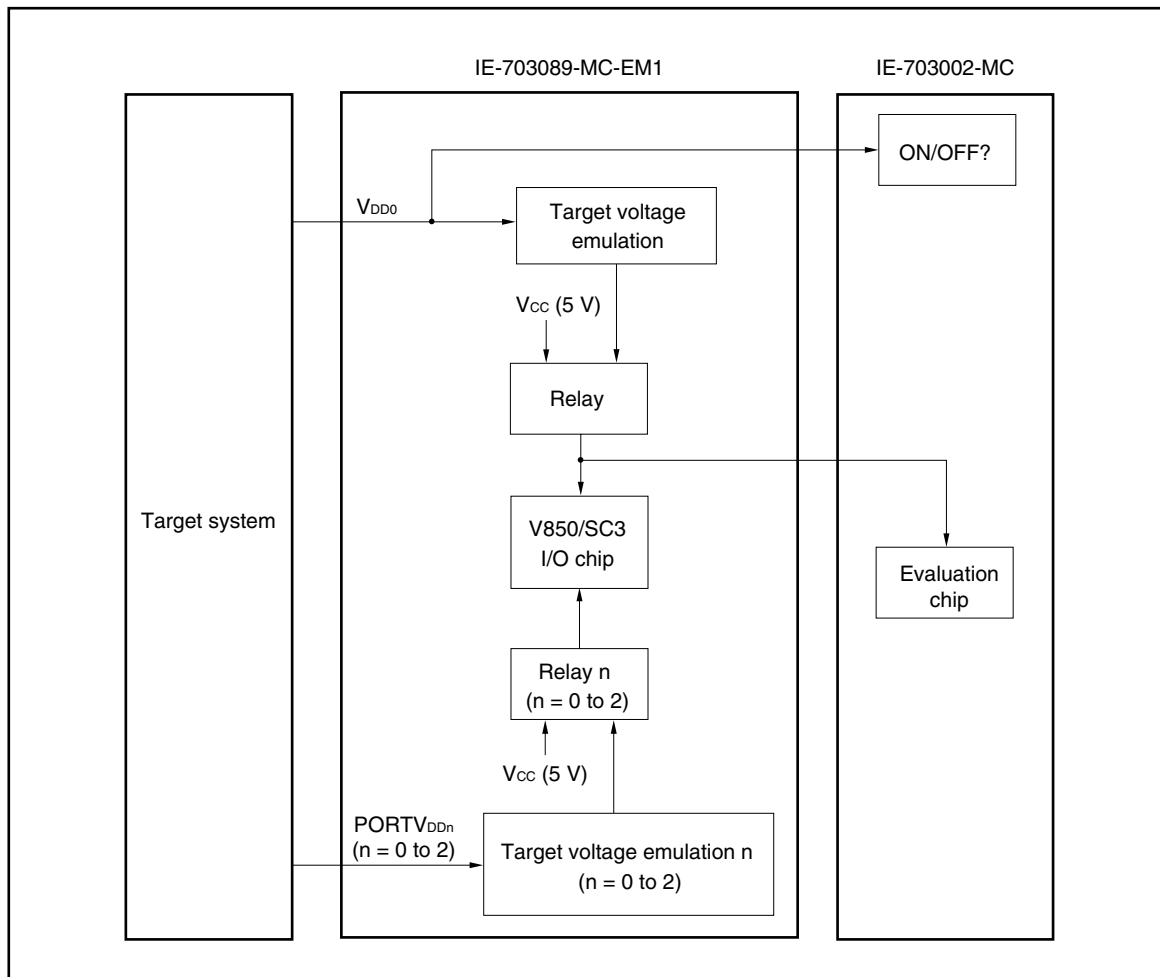
| Item | Description | Remark |
|------------|---|--|
| OSC1 |  | <p>Pins 1 and 2: For mounting capacitor (10 pF) Pins 6 and 7: For mounting capacitor (10 pF) Pins 3 to 5: Crystal oscillator (20 MHz) Pin 4: Open 20 MHz clock supplied for main clock</p> |
| OSC2 |  | <p>Pins 1 and 2: For mounting capacitor (27 pF) Pins 6 and 7: For mounting capacitor (27 pF) Pins 3 to 5: Crystal oscillator (32.768 MHz) Pin 4: Open 32.768 MHz clock supplied for subclock</p> |
| JP1 to JP4 |  | <p>Pins 2 and 3: Short Pin 1: Open Use these jumpers with the factory settings.</p> |
| JP5, JP6 |  | <p>Pins 1 and 2: Open Pins 3 and 4: Shorted Pins 5 and 6: Open Pins 7 and 8: Open Use these jumpers with the factory settings.</p> |
| SW1 to SW4 |  | <p>3-6 side Use these switches with the factory settings.</p> |
| SW5 |  | <p>All bits ON (port mode)</p> |

CHAPTER 4 CAUTIONS

4.1 V_{DD} and $PORTV_{DDn}$ of Target System

- (1) V_{DD} in the target system is used to sense the level for target system power supply ON/OFF.
 - When V_{DD} is lower than 3.5 V, it is judged that the target system is not connected, and mapping of the target memory cannot be performed with a debugger (FCAN cannot be used).
 - When V_{DD} is 3.5 V or higher, it is judged that the target system is connected, and mapping of the target memory can be performed with a debugger (FCAN can be used).
- (2) $PORTV_{DDn}$ ($n = 0$ to 2) in the target system is not supplied directly to the emulator chip; it is connected to the target voltage emulation circuit.
 - When $PORTV_{DDn}$ is lower than 3.3 V, V_{CC} (5 V) in the internal emulator is supplied to the emulator chip.
 - When $PORTV_{DDn}$ is 3.3 V or higher, a voltage of the same potential as $PORTV_{DDn}$ in the target system is generated and supplied to the emulator chip.

Figure 4-1. Schematic Diagram of Power Supply Acquisition



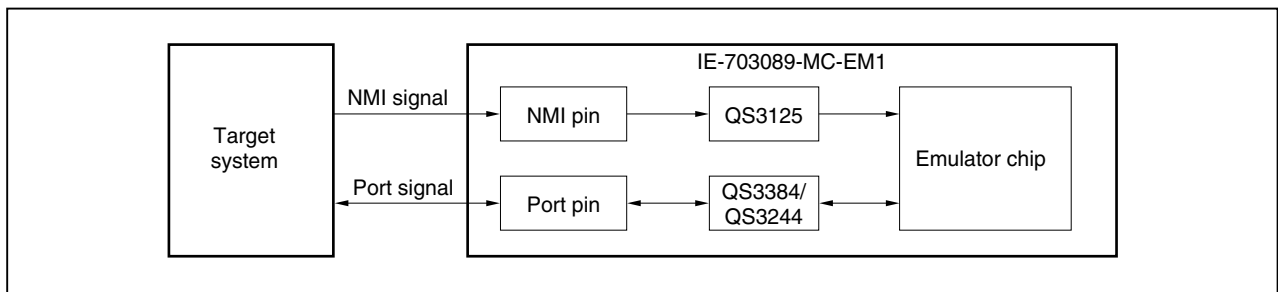
- (3) The V_{DD1} signal from the target system is left open in the IE-703089-MC-EM1.
- (4) The following conditions must be satisfied when other than $V_{DD0} = V_{DD1} = ADCV_{DD} = PORTV_{DD1} = PORTV_{DD2}$.
1. When FCAN is used, $PORTV_{DD1} \leq PORTV_{DD2}$ (restricted by the power supply voltage conditions of the in-circuit emulator)
 2. When ADC is used, $V_{DD0} = ADCV_{DD} = 4.5$ to 5.5 V

4.2 I/O Signal

The input signal (NMI signal) from the target system, the I/O signals for ports 4, 5, 6, and 11, and the I/O signal for port 9 are all delayed ($t_{PD} = 0.25$ ns (typ.)) because they pass through Q switches QS3125, QS3384, and QS3244, respectively, before being input to the emulator chip.

The DC characteristics also change. The input voltage becomes $V_{IH} = 2.0$ V (MIN.), $V_{IL} = 0.8$ V (MAX.), and the input current becomes $I_{IN} = \pm 0.5$ μ A (MAX.).

Figure 4-2. I/O Signal Flow Path



4.3 V_{PP} Signal

The V_{PP} signal from the target system is left open in the emulator.

4.4 NMI Signal Mask Function

When using the P00/NMI pin in the port mode, do not mask the NMI signal.

CHAPTER 5 DIFFERENCES BETWEEN TARGET DEVICE AND TARGET INTERFACE CIRCUIT

Differences between the signal lines of the target device and the signal lines of the IE-703089-MC-EM1 target interface circuit are described in this chapter.

The target device is a CMOS circuit, whereas the target interface circuit of the IE-703089-MC-EM1 is configured with an emulation circuit such as a gate array TTL or CMOS-IC.

When debugging the IE system connected to the target system, the IE system emulates as if the real target device is operating on the target system.

Small differences occur however, because the IE system is emulating actual operation.

(1) Signals input/output to/from the emulation gate array

- P47 to P40
- P57 to P50
- P67 to P60
- P97 to P90
- P117 to P110
- P133 to P130

(2) Other signals

- P07 to P00
- P17 to P10
- P27 to P20
- P37 to P30
- P77 to P70
- P83 to P80
- P107 to P100
- P127 to P120
- P147 to P140
- P157 to P150
- P176 to P170
- V_{DD0}
- PORTV_{DD0}, PORTV_{DD1}, PORTV_{DD2}, ADCV_{DD}
- CLKOUT
- $\overline{\text{RESET}}$
- V_{DD1}
- MODE/V_{PP}
- CPUREG
- X1, X2, XT1, XT2
- GND0, GND1, GND2, PORTGND0, PORTGND1, ADCGND

Figure 5-1 shows the signals in (1) and (2) above in the circuit for the IE system.

Figure 5-1. Equivalent Circuit of Emulation Circuit (1/2)

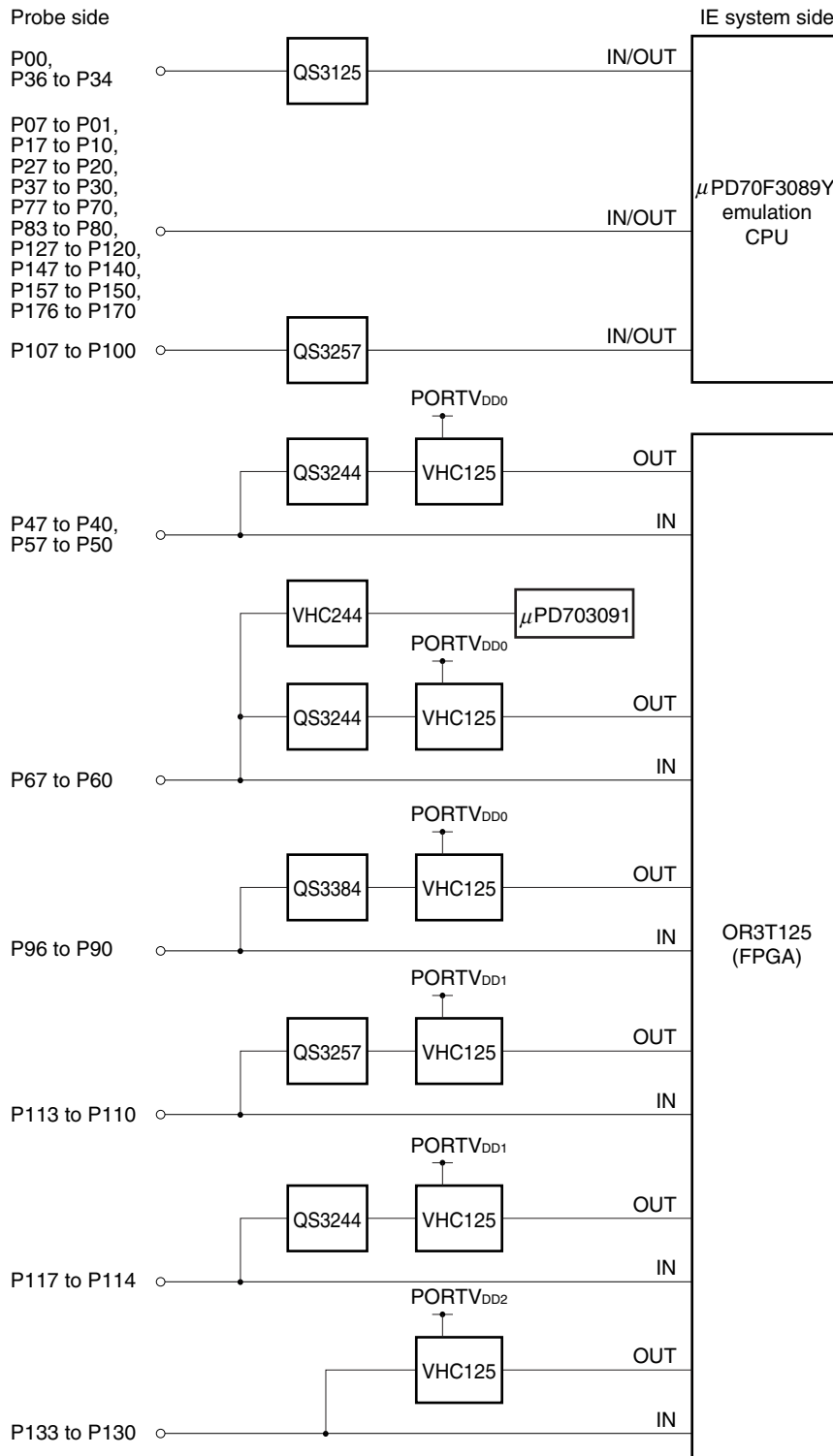
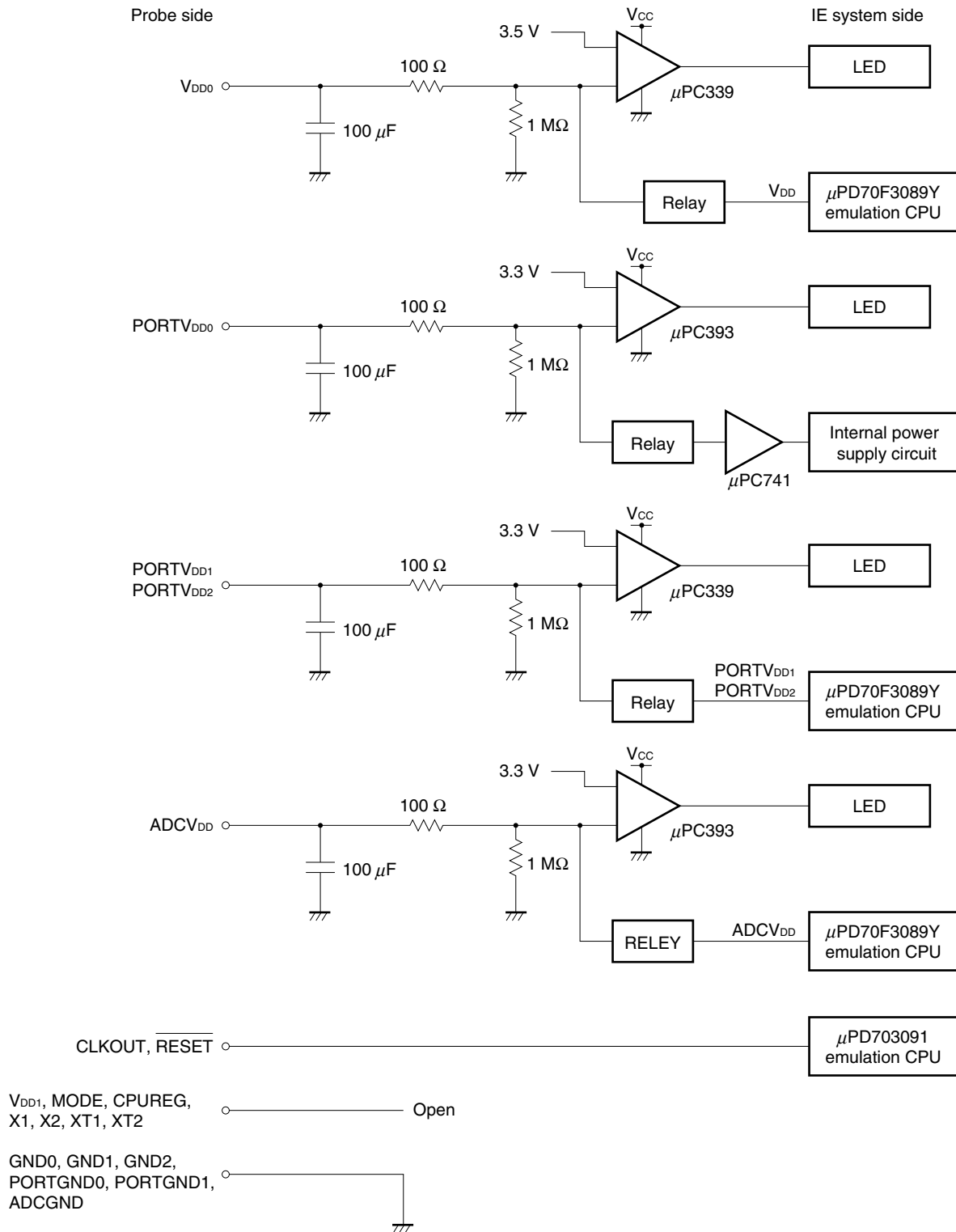
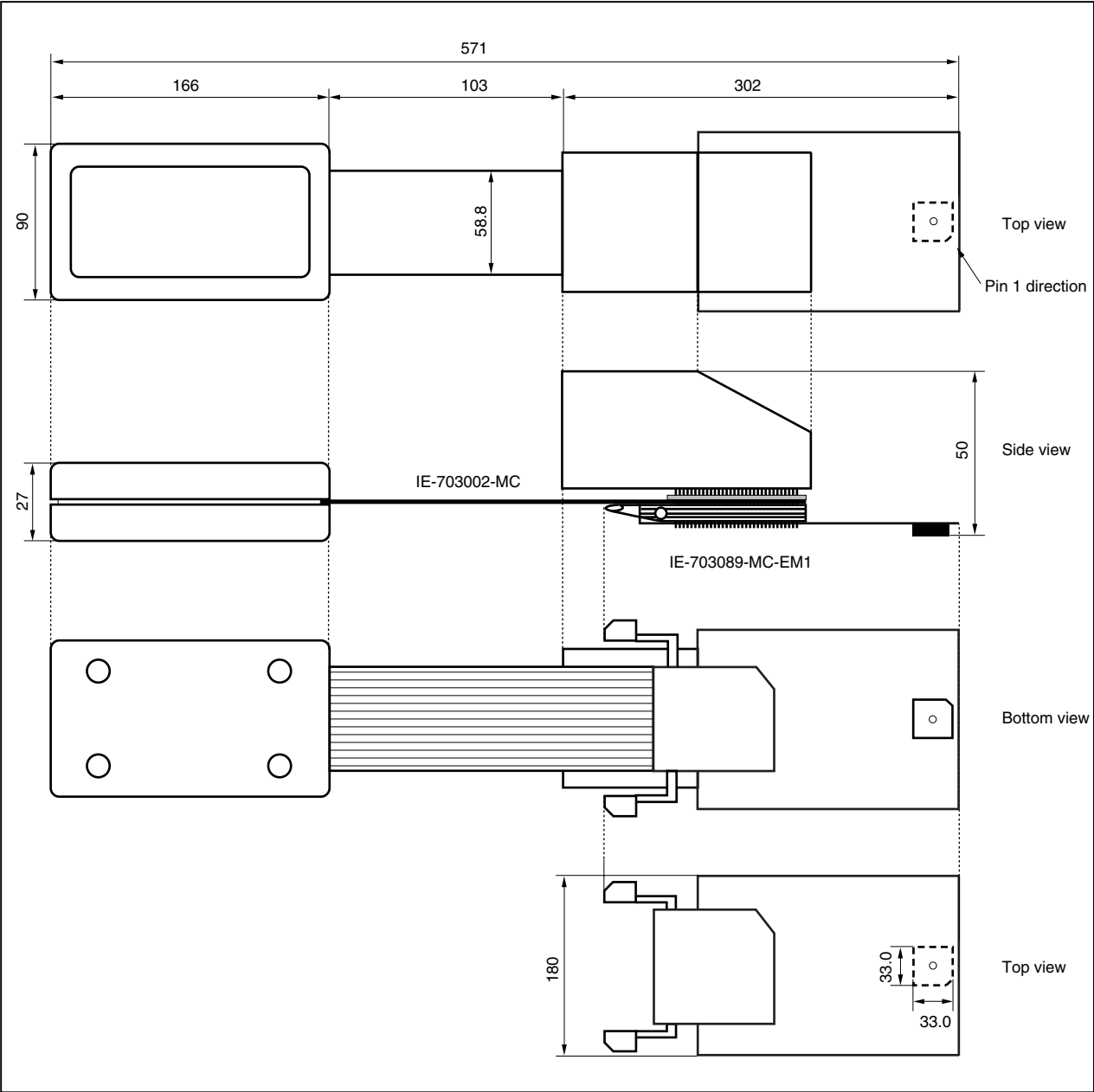


Figure 5-1. Equivalent Circuit of Emulation Circuit (2/2)



APPENDIX PACKAGE DRAWINGS

IE-703002-MC + IE-703089-MC-EM1 (Unit: mm)



[MEMO]

Facsimile Message

Although NEC has taken all possible steps to ensure that the documentation supplied to our customers is complete, bug free and up-to-date, we readily accept that errors may occur. Despite all the care and precautions we've taken, you may encounter problems in the documentation. Please complete this form whenever you'd like to report errors or suggest improvements to us.

From:

Name

Company

Tel.

FAX

Address

Thank you for your kind support.

North America

NEC Electronics Inc.
Corporate Communications Dept.
Fax: +1-800-729-9288
+1-408-588-6130

Hong Kong, Philippines, Oceania

NEC Electronics Hong Kong Ltd.
Fax: +852-2886-9022/9044

Taiwan

NEC Electronics Taiwan Ltd.
Fax: +886-2-2719-5951

Europe

NEC Electronics (Europe) GmbH
Market Communication Dept.
Fax: +49-211-6503-274

Korea

NEC Electronics Hong Kong Ltd.
Seoul Branch
Fax: +82-2-528-4411

Asian Nations except Philippines

NEC Electronics Singapore Pte. Ltd.
Fax: +65-250-3583

South America

NEC do Brasil S.A.
Fax: +55-11-6462-6829

P.R. China

NEC Electronics Shanghai, Ltd.
Fax: +86-21-6841-1137

Japan

NEC Semiconductor Technical Hotline
Fax: +81-44-435-9608

I would like to report the following error/make the following suggestion:

Document title: _____

Document number: _____ Page number: _____

If possible, please fax the referenced page or drawing.

| Document Rating | Excellent | Good | Acceptable | Poor |
|--------------------|--------------------------|--------------------------|--------------------------|--------------------------|
| Clarity | <input type="checkbox"/> | <input type="checkbox"/> | <input type="checkbox"/> | <input type="checkbox"/> |
| Technical Accuracy | <input type="checkbox"/> | <input type="checkbox"/> | <input type="checkbox"/> | <input type="checkbox"/> |
| Organization | <input type="checkbox"/> | <input type="checkbox"/> | <input type="checkbox"/> | <input type="checkbox"/> |