

PHYSICAL SPECIFICATIONS

Article number:		Dependant on function, color
Dimensions (cm):	Trolley (Book + A/V Media):	ca. 73 x 53 x 173 (l x w x h)
	CD/DVD Trolley:	ca. 110 x 53 x 173 (l x w x h)
Material:		Metal, Wood
Standard color:		Wood Red U225; Metal Ral 7016
Optional Color:		Any RAL color at extra costs
Weight:	Book Trolley:	ca. 42 kg
	CD/DVD Trolley:	ca. 57 kg
Function:		Check-in

ELECTRICAL SPECIFICATIONS

Supply voltage:		100 - 230 V ac, 50-60 Hz.
Working voltage:	Reader:	24 V - 12 V
Power consumption:		Max. 100 Watt
Length power cable:	Column:	1.8 m

HARDWARE SPECIFICATIONS

RFID Reader:	Model:	Nedap high perf. reader (art. nr. 9926798)
Frequency:		13.56 MHz
Identifies:		ISO 15693 / ISO 18000-3.1
EAS function:		Yes, EAS-bits and/or AFI
Multiplexer model:		Nedap model 8-channel multiplexer

Practical information:	Book Trolley	CD/DVD Trolley
Number of shelves(s):	3	4
Max. nr of books:	64	0
Max. nr. of CDs / DVDs:	0	30
Check in of CDs/DVDs:	No	Yes
Length cable to column:	4 m total, 3 m effective	4 m total, 3 m effective
RF antenna power:		37 µW.

ENVIRONMENTAL SPECIFICATIONS

Operational temperature:	+10 / +45 °C
Storage temperature:	0 / +55 °C

WARRANTY / CERTIFICATES

Certificate:	CE / EMC
Warranty:	1 year
Approvals of the power adaptor:	- c UL us according to UL/CSA 60950-1
	- Japan PSE
	- CE according to EN60950-1
	- FCC compliant

Version 1.0

Specifications are subject to change without notice

contact

Nedap Librix | Parallelweg 2d | 7141 DC Groenlo
P.O. Box 102 | 7140 AC Groenlo | The Netherlands
T +31 (0) 544 47 11 11 | F +31 (0) 544 46 58 14
E info@nedaplibrix.com | www.nedaplibrix.com



BEYOND THE BOOK

intelligent book and cd/dvd trolley



POWERED BY nedap

infocolumn and intelligent trolley

self-service check-in

checking in books can be done via our self-service stations. to enhance the logistical processes and workflows in your library, we also have developed solutions that are designed just for check-in purposes.

intelligent trolley

Our intelligent trolleys are especially designed for checking-in items. The trolleys are placed at the entrance of your library. Whenever a lender returns his or her book in the trolley, the item is automatically recognized by the system and flagged as checked-in in your Library Management System.

quick and easy intelligent trolley

Returning an item does not take more than just placing the item on the trolley. Anywhere. That's it. No more queues, no more waiting in line.

direct link to lms

Through our direct link with your Library Management System, every item that is returned is automatically checked-in. No patron card that needs to be scanned. Just drop and go.

security

For all items that are returned in the intelligent trolley, security is automatically switched on. This way, if somebody takes the item from the trolley and walks between the security gates after it has been returned, the Nedap security gates will sound an alarm.

info terminal

The intelligent trolleys are connected to a stylish info terminal. This terminal is available in versions that can either accommodate one or two trolleys at once. A simple click-mechanism enables you to detach full trolleys and attach an empty one in a split second.

move it

Whenever one of your intelligent trolleys is nearly full, you simply un-click it from the info terminal and roll it into your library where you can return the books to the shelves or make the trolley available in the 'just-returned' section. In the meantime you just click an empty trolley into the info terminal so your customers can return books again!

direct check-out

Libraries that move their full trolleys to a 'just-returned' section, see that over 25% of all books returned are checked-out on the same day. So you improve your service and have less work. We like to make your work easy.

fcc and ic certifications for the connected transceiver

FCC for USA according to Part 15 with FCC ID: CGDDVD31356

IC for Canada according to RS-210 with IC: 1444A-DVD31356

Part 15.19(3) and RSS_Gen Labelling

This device complies with part 15 of the FCC Rules and to RSS-210 of Industry Canada.

Operating is subject to the following two conditions:

- (1) this device may not cause harmful interference, and
- (2) this device must accept any interference received, including interference that may cause undesired operation.

Cet appareil se conforme aux normes RSS 210 exemptés de licence du Industry Canada.

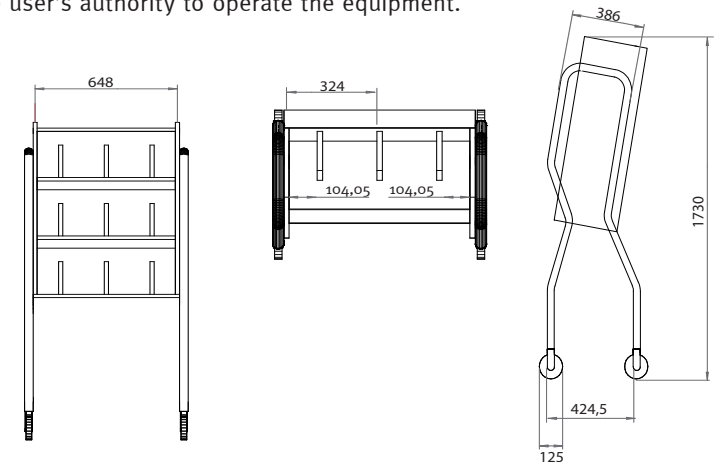
L'opération est soumis aux deux conditions suivantes :

- (1) cet appareil ne doit causer aucune interférence, et
- (2) cet appareil doit accepter n'importe quelle interférence, y inclus interférence qui peut causer une opération non pas voulu de cet appareil.

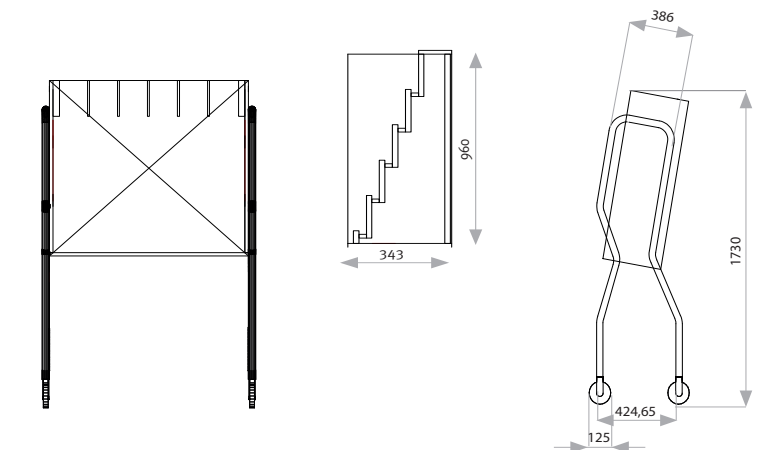
Warning (part15.21)

Changes or modifications not expressly approved by party responsible for compliance could void the user's authority to operate the equipment.

Book trolley:



CD/DVD trolley:



NOTE: Do not use these drawings for installation purposes. Ask your local supplier for technical drawings.