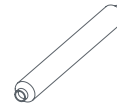




1x | ASSY T325R RF



4x | insulation ring



2x | filter

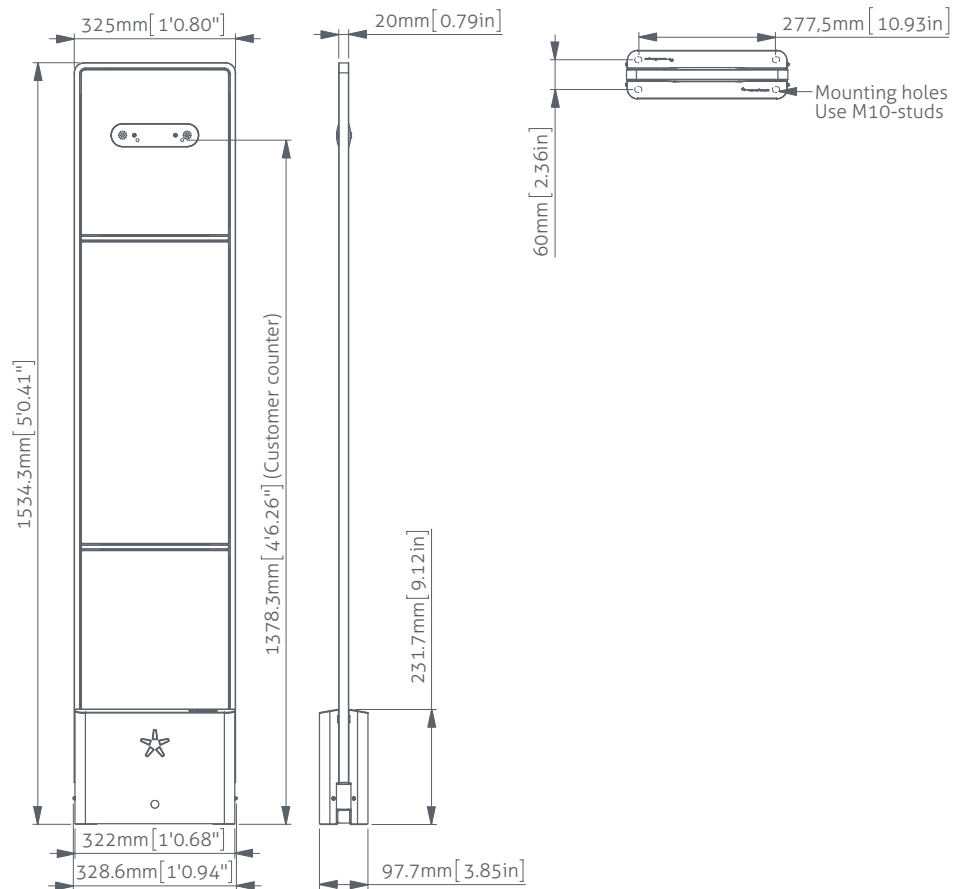


2x | connector RJ45

⚠ Warning

This equipment should be installed, operated, serviced, and repaired by qualified personnel only. The installation and interconnection of this equipment to facility wiring and other equipment must be done by a competent, qualified craftsman who is familiar with applicable standards and codes governing the installation. Installation methods, practices, or procedures that are unauthorised or done improperly are dangerous and could result in serious personal injury or damage to property and equipment.

dimensions

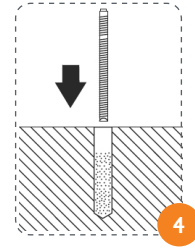
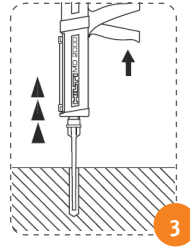
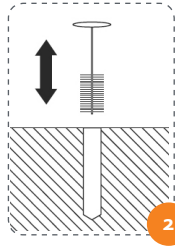
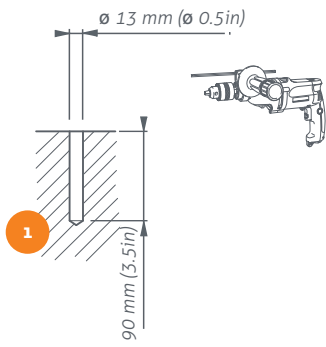


conduit or slit

(topview)

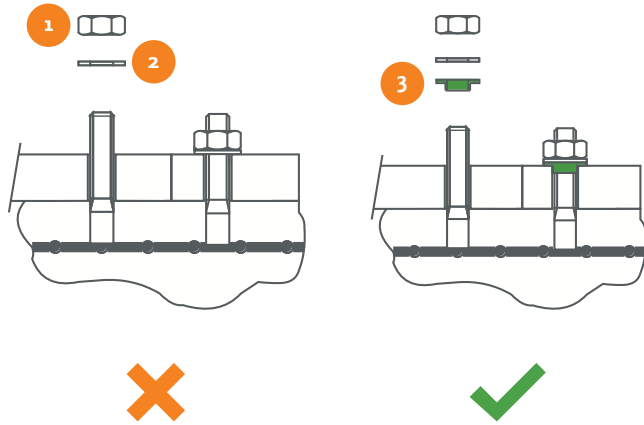


drill the hole



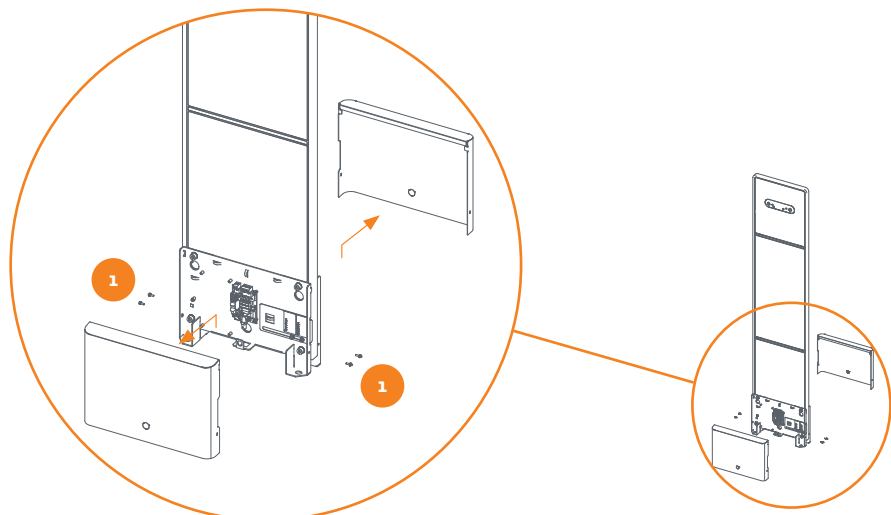
- 1 Drill the hole
- 2 Clean the hole
- 3 Insert Hilti-hit
- 4 Place the nut

always use a nylon insulation ring



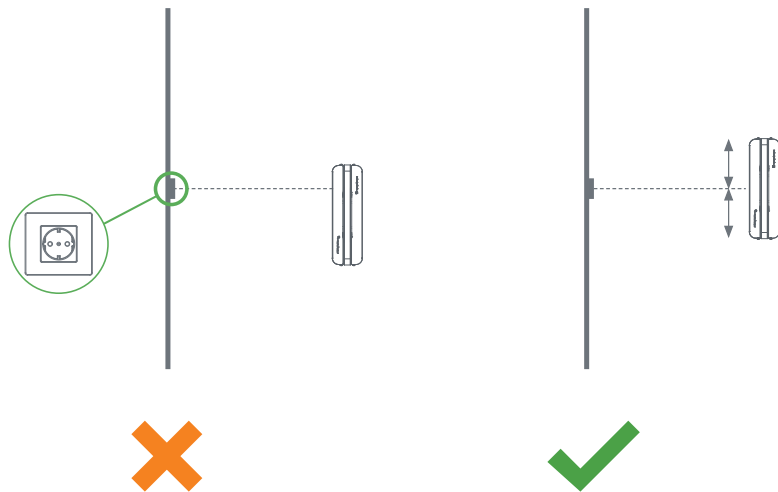
- 1 Nut M10 (not included in installation set)
- 2 Retainer ring M10 (not included in installation set)
- 3 Nylon insulation ring M10 (included in installation set)

remove covers

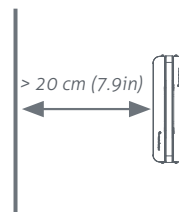


- 1 Screw M3x10

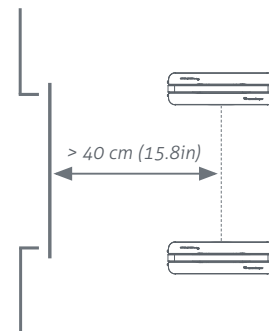
place near to a wallsocket (RF)



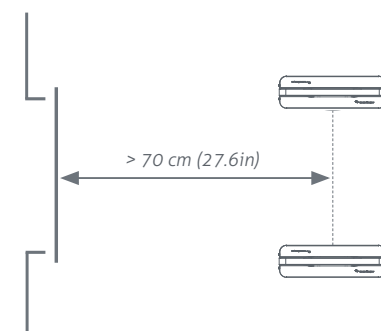
distance to the wall (RF)



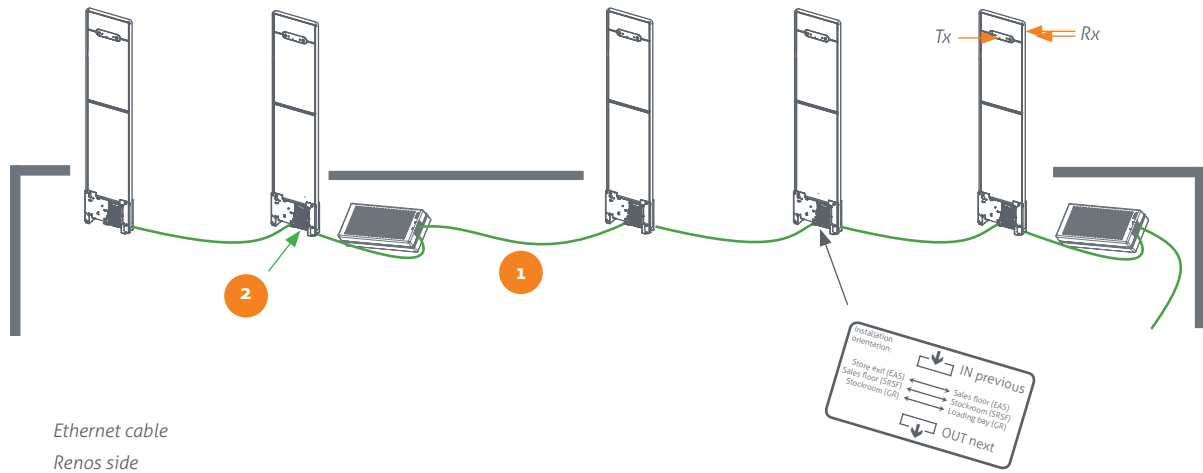
distance to a normal door or sliding door (RF)



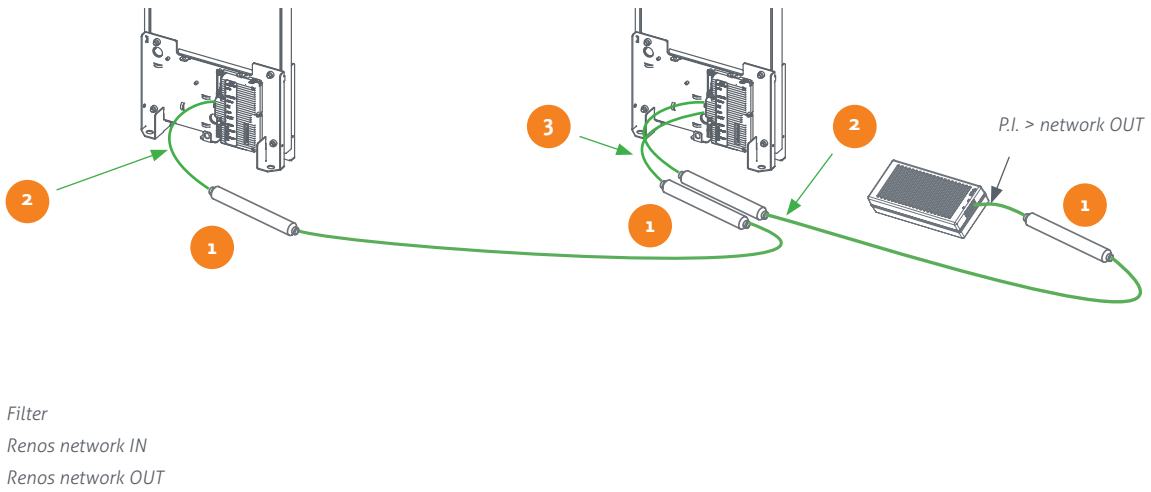
distance to roller shutter (RF)



cabling

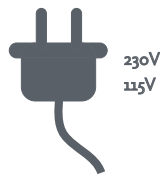


filters



power system

Plug the Power Inserter into the socket.



NOTE:
Start up takes
approximately 3 minutes.

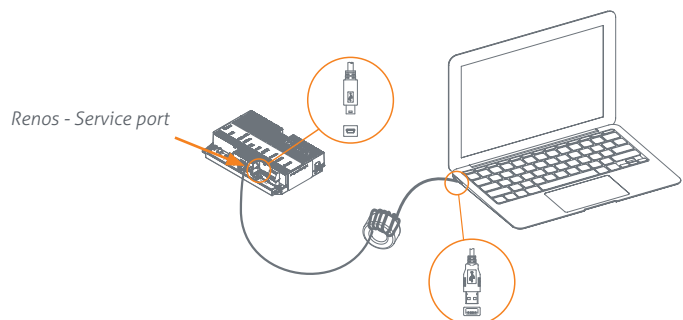
IMPORTANT:
Network should be connected in the "network setup"-step of the installation wizard.
Do not connect a network to !Sense before power up!

connecting a laptop to the Renos unit

Attach your laptop to one of the Renos units with a mini USB-USB cable.
Open the browser on your laptop and go to:

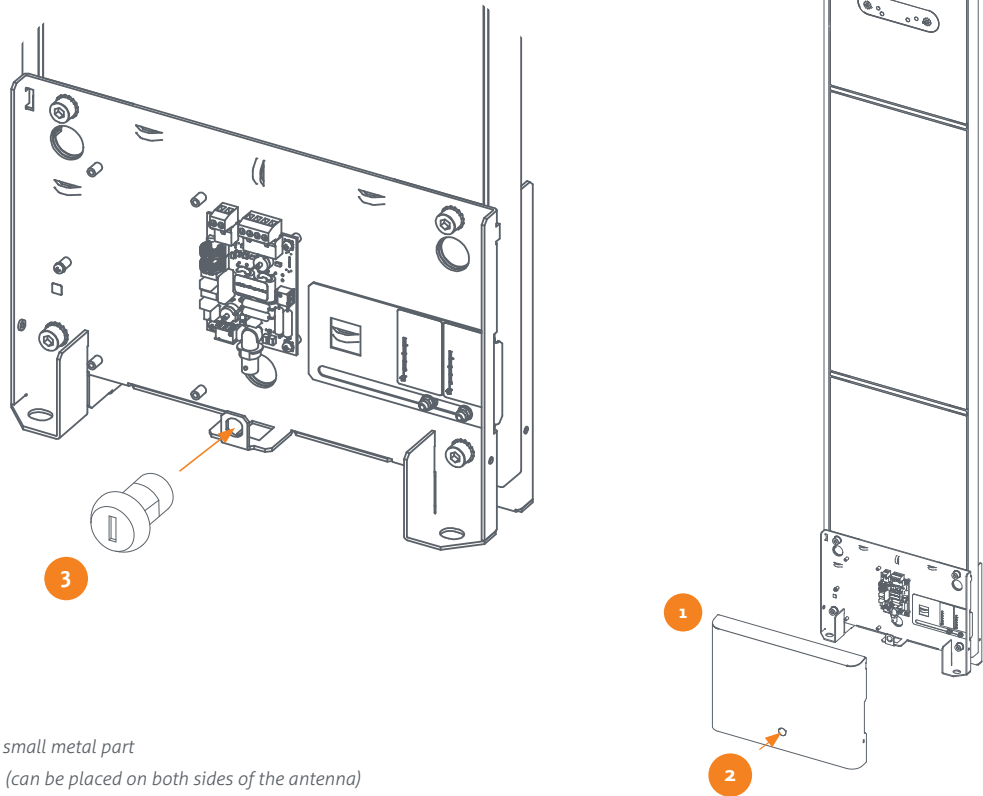
<http://192.168.133.1>

Configure the system using the installation wizard.



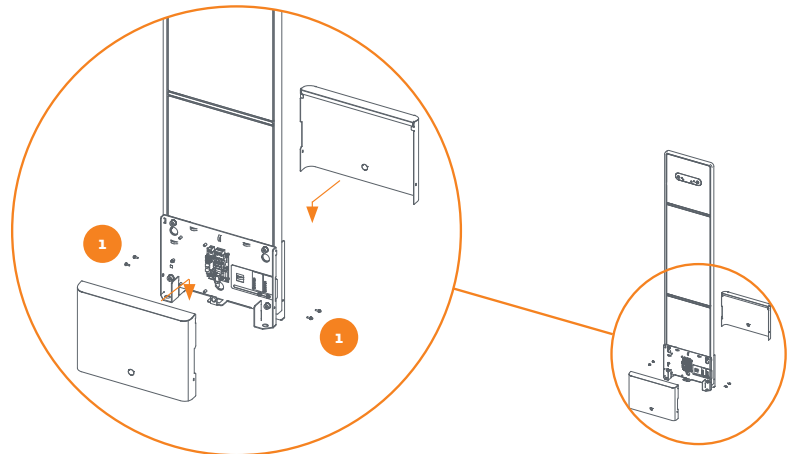
place keyswitch

(optional)



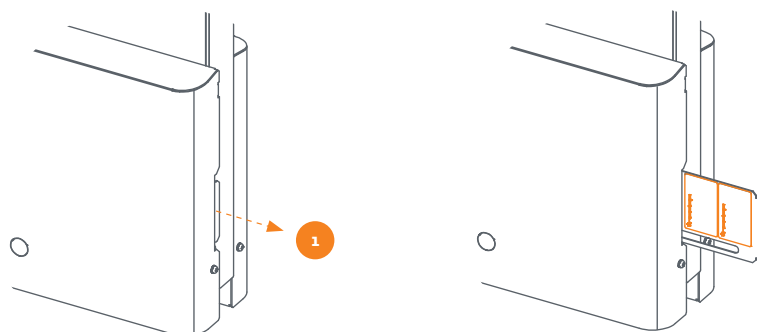
- 1 Remove cover
- 2 Push to remove small metal part
- 3 Place keyswitch (can be placed on both sides of the antenna)

place covers



- 1 Screw M3x10

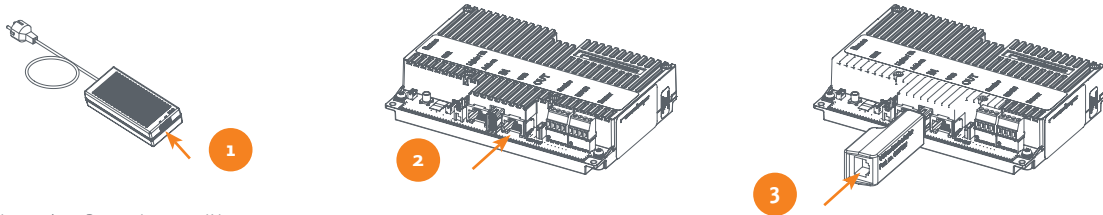
label information



- 1 Pull to see the label information (Two labels at the front side and one at the back side)

network setup

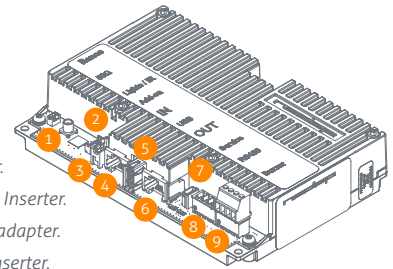
When on the "network setup" -step of the installation wizard, determine the position of the network and decide how to connect to the !Sense network.



- 1 Network to Power Inserter IN
- 2 Network to last Renos OUT
- 3 Network to USB-Network adapter (in any gate)

Renos

- | | | |
|---|-----------------------|---|
| 1 | 50Ω | Connect to the 50Ω PCB from the antenna. |
| 2 | Lights / IR | Connect to the lights and customer counting. |
| 3 | Add-on | Provide power and synchronisation to add-ons, like the RFID reader. |
| 4 | Network IN | Connected to the Network OUT of a previous Renos unit or a Power Inserter. |
| 5 | USB | Connect accessories to Renos, like the RFID reader or USB network adapter. |
| 6 | Network OUT | Connected to the Network IN of a previous Renos unit or a Power Inserter. Can also be left unconnected or connected to the customer network. |
| 7 | Mini USB service port | Connect your laptop to configure the Renos system. |
| 8 | RS485 connector | Connect to the smart deactivator(s). |
| 9 | Buzzer connector | Connect to the buzzer. |

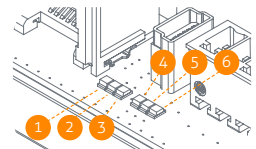


Caution:

Risk of Explosion if Battery is replaced by an Incorrect Type. Dispose of Used Batteries According to the Instructions.

status LEDs Renos

- | | | | |
|---|--------|----------|---|
| 1 | Green | On | There is a Renos unit connected to the OUT port of this unit |
| | | Off | There is no Renos unit connected to the OUT port of this unit |
| 2 | Blue | Blinking | There is no device connected to the OUT port of this unit |
| | | On | There is a Power Inserter connected to the OUT port of this unit |
| 3 | Red | On | There is an issue with the power supply at the OUT port of this unit (too little current drawn) |
| | | Blinking | There is an issue with the power supply at the OUT port of this unit (too much current drawn) |
| | | Off | There is no issue with the power supply at the OUT port of this unit |
| 4 | Yellow | Blinking | The operating system on the Renos unit is running |
| | | Off | The operating system on the Renos unit is not running |
| 5 | Green | Blinking | The storage flash on the Renos unit is accessed |
| | | Off | The storage flash on the Renos unit is not accessed |
| 6 | Green | On | The firmware on the Renos unit is running |
| | | Off | The firmware on the Renos unit is not (yet) running |



Disclaimer

Nedap intends to make this manual accurate and complete. However, Nedap does not warrant that the information contained herein covers all details, conditions or variations, nor does it provide for every possible contingency in connection with the installation or use of this product. Nedap disclaims any liability for damage to property or personal injury resulting, in whole or in part, from improper installation, modification, use or misuse of its products. The information contained in this document is subject to change without notice.

FCC and IC Compliance statement

This device complies with part 15 of the FCC Rules and to RSS210 of Industry Canada. Operation is subject to the following two conditions:

- (1) this device may not cause harmful interference, and*
- (2) this device must accept any interference received, including interference that may cause undesired operation.*

Changes or modifications not expressly approved by the party responsible for compliance could void the user's authority to operate the equipment.

Cet appareil se conforme aux normes CNR 210 exemptés de licence du Industry Canada. L'opération est soumise aux deux conditions suivantes:

- (1) cet appareil ne doit causer aucune interférence, et*
- (2) cet appareil doit accepter n'importe quelle interférence, y inclus interférence qui peut causer une opération non pas voulu de cet appareil. Les changements ou modifications n'ayant pas été expressément approuvés par la partie responsable de la conformité peuvent faire perdre à l'utilisateur l'autorisation de faire fonctionner le matériel.*

FCC and IC Radiation Exposure Statement

This equipment complies with FCC and Canadian radiation exposure limits set forth for an uncontrolled environment. This equipment should be installed and operated with a minimum distance of 5 cm between the radiator and your body. This transmitter must not be co-located or operating in conjunction with any other antenna or transmitter.

Cet équipement est conforme à CNR-102 limites énoncées pour un environnement non contrôlé. Cet équipement doit être installé et utilisé avec une distance minimale de 5 cm entre le radiateur et votre corps. This Class B digital apparatus complies with Canadian ICES-003 Cet appareil numérique de Classe B est conforme à la norme Canadienne ICES-003.

FCC Information to the user

Note: This equipment has been tested and found to comply with the limits for a class B digital devices, pursuant to part 15 of the FCC Rules. These limits are designed to provide reasonable protection against harmful interference in a residential installation. This equipment generates, uses and can radiate radio frequent energy and, if not installed and used in accordance with the instructions, may cause harmful interference to radio communications. However, there is no guarantee that interference will not occur in a particular installation. If this equipment does not cause harmful interference to radio or television reception, which can be determine by turning the equipment off and on, the user is encouraged to try to correct the interference by one or more of the following measures: Reorient or relocate the receiving antenna. Increase the separation between the equipment and receiver. Connect the equipment into an outlet on a circuit different from that to which the receiver.

NOTE: Any changes or modifications not expressly approved by the party responsible for compliance could void the user's authority to operate the equipment. To ensure compliance with FCC regulations, use only the shielded interface cables provided with the product, or additional specified components or accessories that can be used with the installation of the product.

Declaration of Conformity

Hereby, De N.V. Nederlandsche Apparatenfabriek "Nedap" declares that the radio equipment type ASSY T325R RF is in compliance with Directive 2014/53/EU. The full text of the EU declaration of conformity is available at the following internet address: <https://portal.nedapretail.com/>

User manual

The complete instruction manual can be found at <https://portal.nedapretail.com/>

